



US00D976111S

(12) **United States Design Patent** (10) **Patent No.:** **US D976,111 S**
Ahn (45) **Date of Patent:** **** Jan. 24, 2023**

(54) **CONTAINER FOR COSMETICS**

(71) Applicant: **Hyo Eun Ahn**, Seoul (KR)

(72) Inventor: **Hyo Eun Ahn**, Seoul (KR)

(**) Term: **15 Years**

(21) Appl. No.: **35/511,898**

(22) Filed: **Nov. 26, 2020**

(80) **Hague Agreement Data**

Int. Filing Date: **Nov. 26, 2020**

Int. Reg. No.: **DM/212894**

Int. Reg. Date: **Nov. 26, 2020**

Int. Reg. Pub. Date: **May 28, 2021**

(30) **Foreign Application Priority Data**

May 28, 2020 (KR) 30-2020-0023660

(51) **LOC (14) Cl.** **09-01**

(52) **U.S. Cl.**
USPC **D9/500**

(58) **Field of Classification Search**

USPC D9/500, 503, 504, 527-528, 548-549,
D9/738, 744-745; D28/4, 99

CPC A47G 19/2205; A47G 19/2222; A47G
19/2272; B65D 51/28; B65D 21/0222;
B65D 43/02; B65D 2203/00; B65D
2231/022; B65D 2543/00046; B65D
2543/00092; B65D 2543/00296; B65D
2543/00537

See application file for complete search history.

(56) **References Cited**

U.S. PATENT DOCUMENTS

2,876,581 A * 3/1959 Schmidt A01K 93/00
D22/146

2,975,925 A * 3/1961 Chambers B65D 25/48
206/0.5

3,132,695 A * 5/1964 Peltier A62C 35/645
D29/128
D404,681 S * 1/1999 Galerneau D11/131
D564,900 S * 3/2008 Green D9/504
D572,535 S * 7/2008 El-Ghouyel D9/519
D661,540 S * 6/2012 Facey D7/354
D733,498 S * 7/2015 Matharu D7/300.1
D811,901 S * 3/2018 Dardashty D9/504
D836,973 S * 1/2019 Masifilo D7/392
D907,950 S * 1/2021 Hong D7/402

* cited by examiner

Primary Examiner — Michael A. Pratt

(74) *Attorney, Agent, or Firm* — Fish & Richardson P.C.

(57) **CLAIM**

The ornamental design for a container for cosmetics, as shown and described.

DESCRIPTION

1. Container for cosmetics

1.1 : Perspective

1.2 : Perspective

1.3 : Front

1.4 : Back

1.5 : Left

1.6 : Right

1.7 : Top

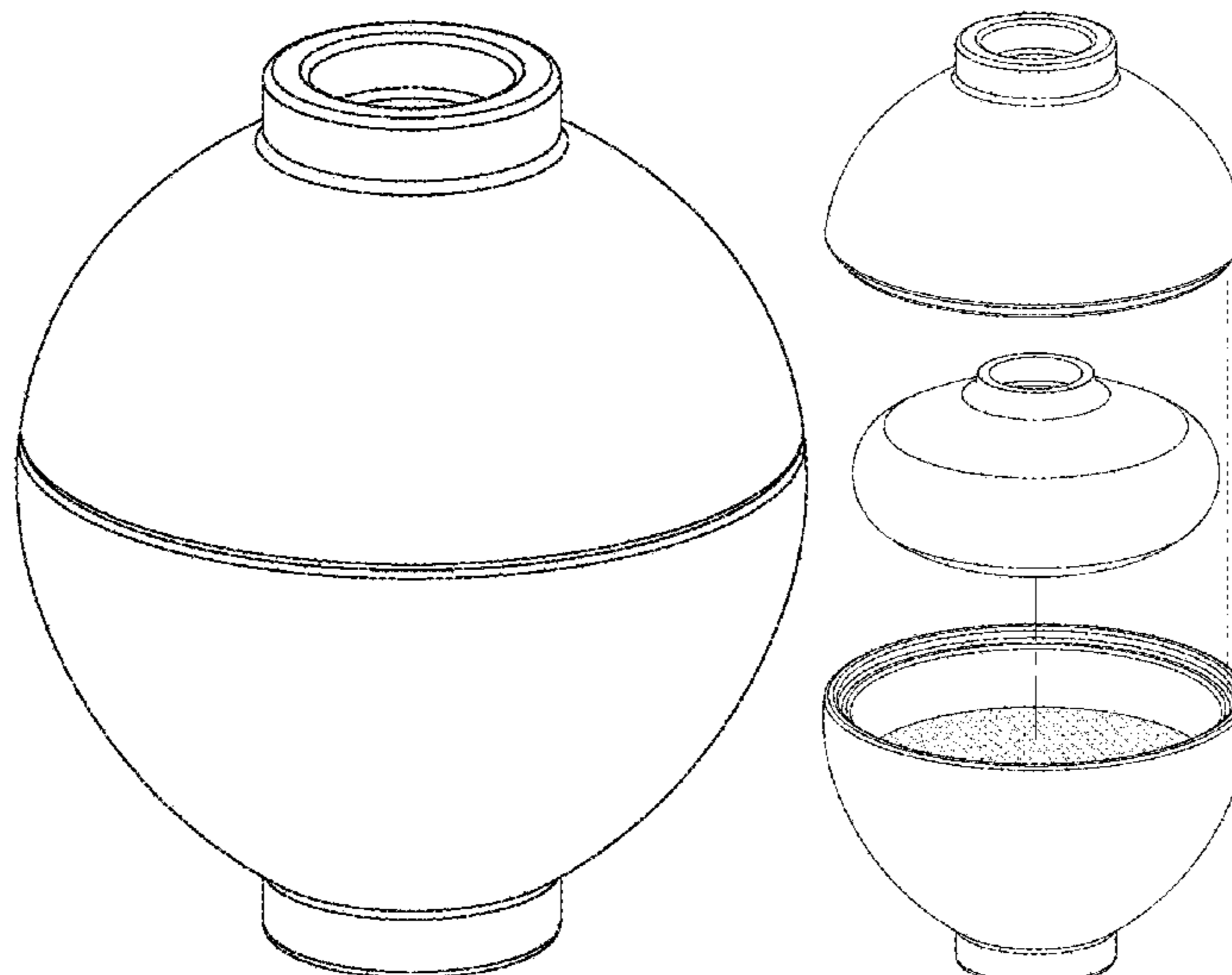
1.8 : Bottom

1.9 : Exploded

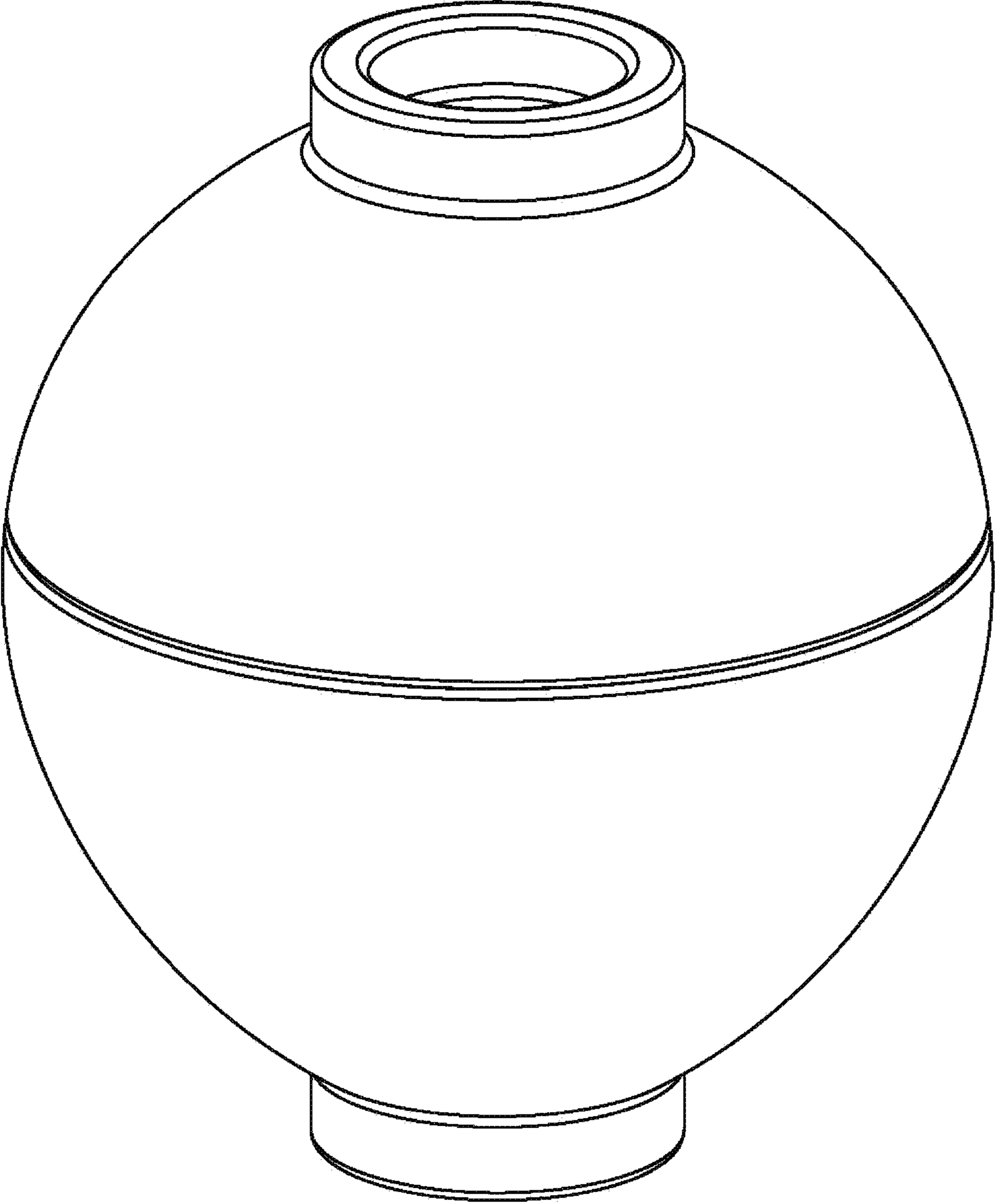
1.10 : Exploded

The combination of the shape and pattern of “containers for cosmetics” is the main point of the design content. The product of the present design includes an upper container and a lower container and contains cosmetics between the upper and lower containers. Reproduction 1.9 is a figure of the status of use of this design, and reproduction 1.10 is a figure of the status of use of this design where the product of this design is used in combination with a middle lid inside the containers.

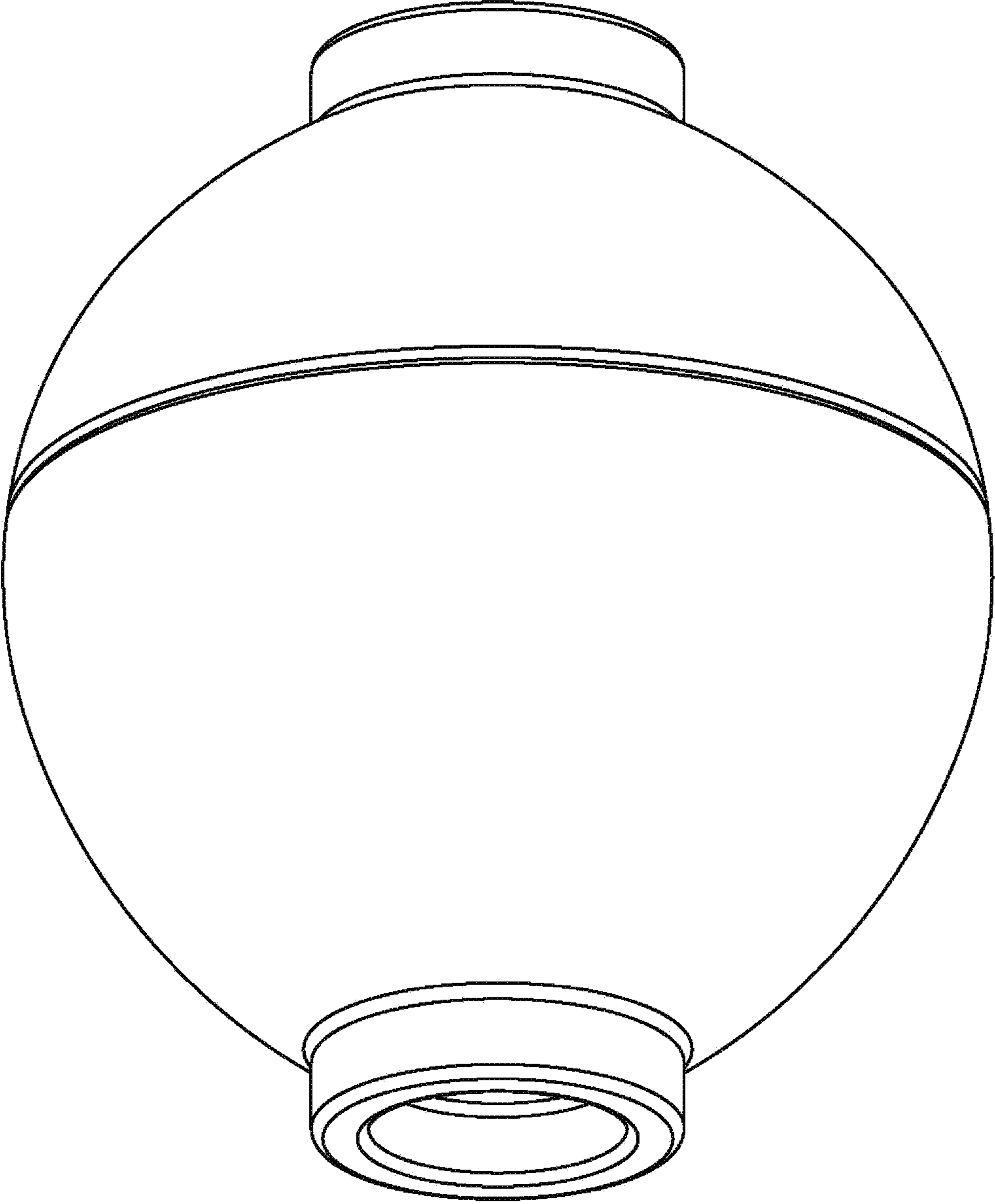
1 Claim, 10 Drawing Sheets



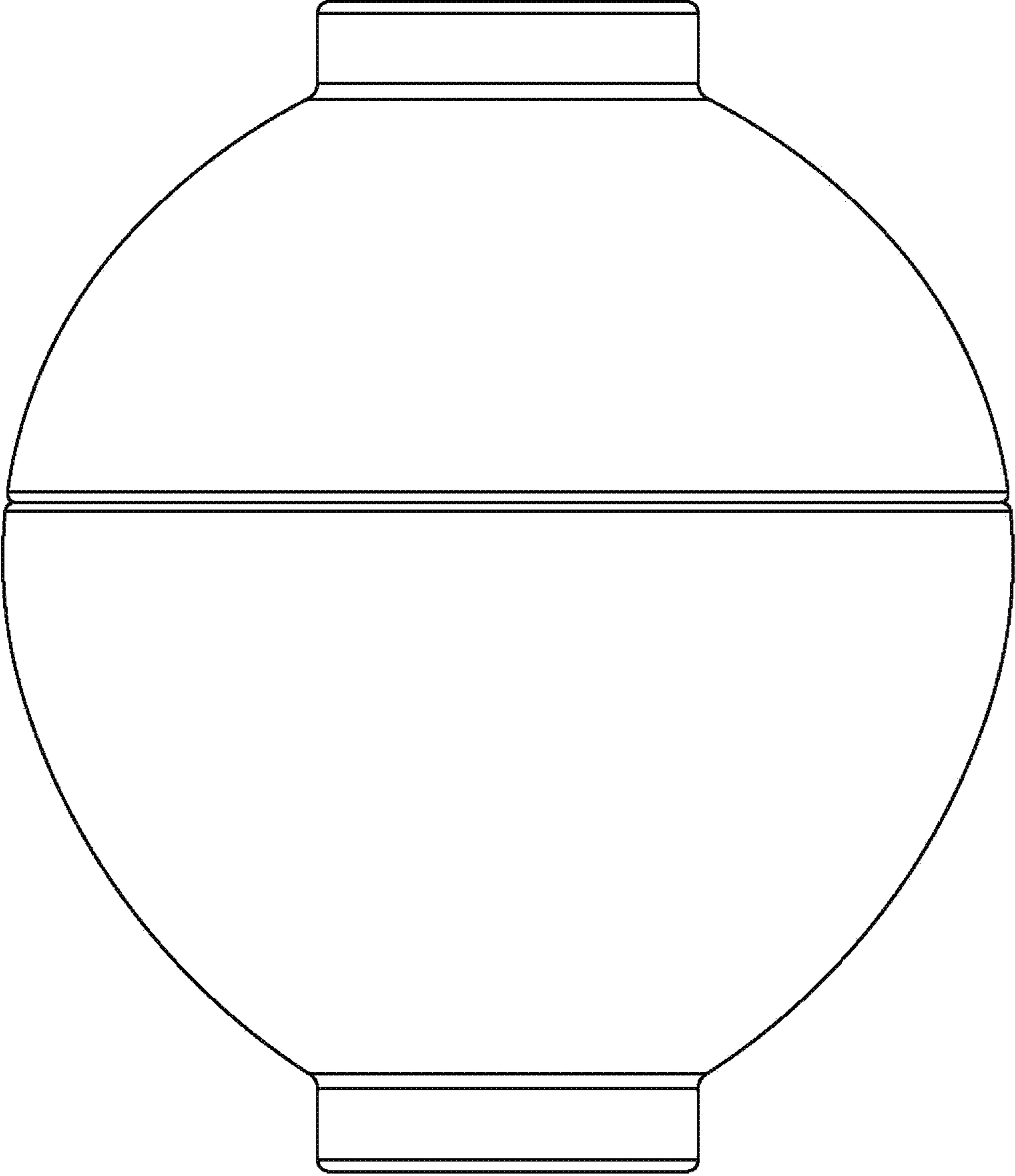
1.1



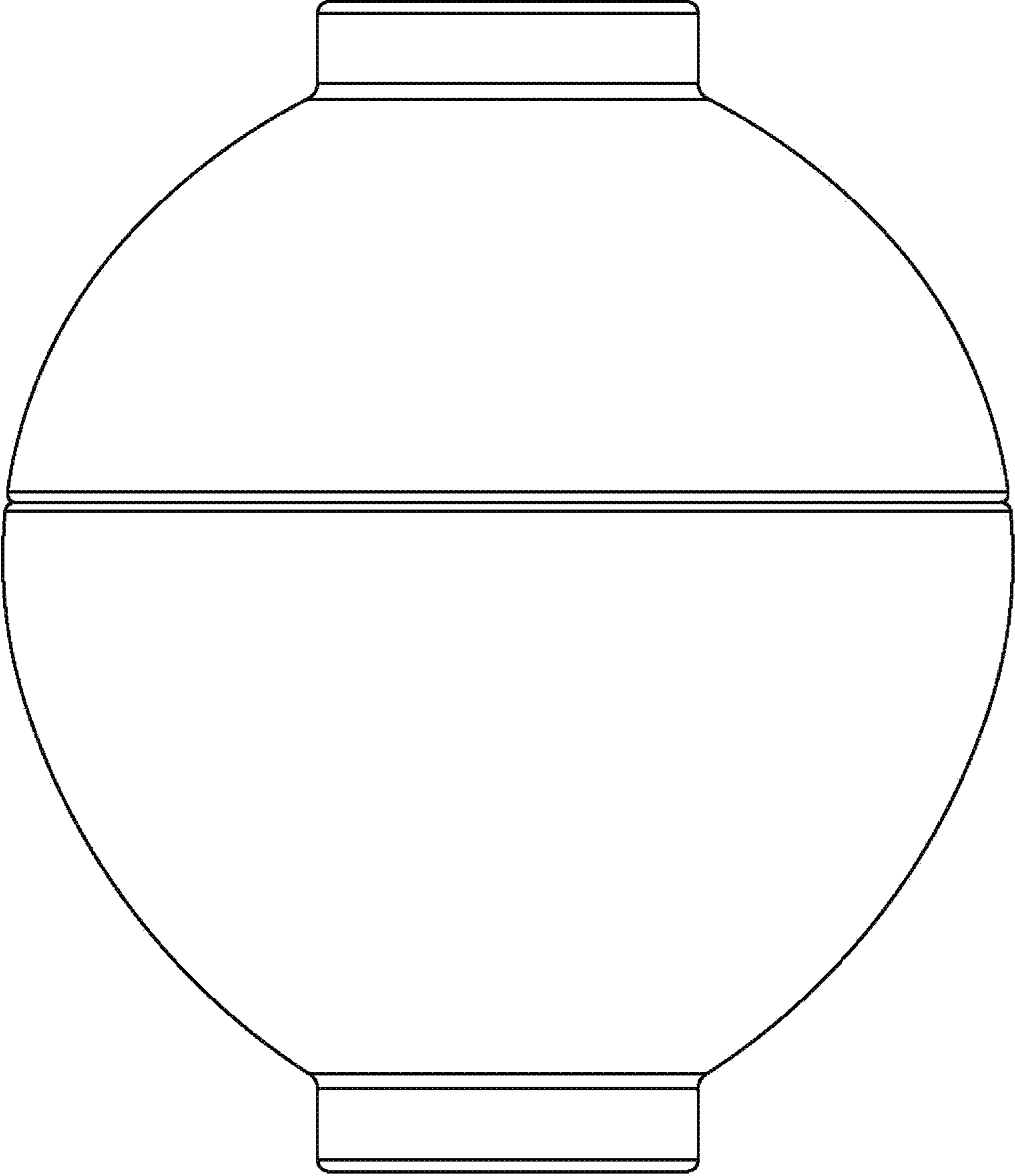
1.2



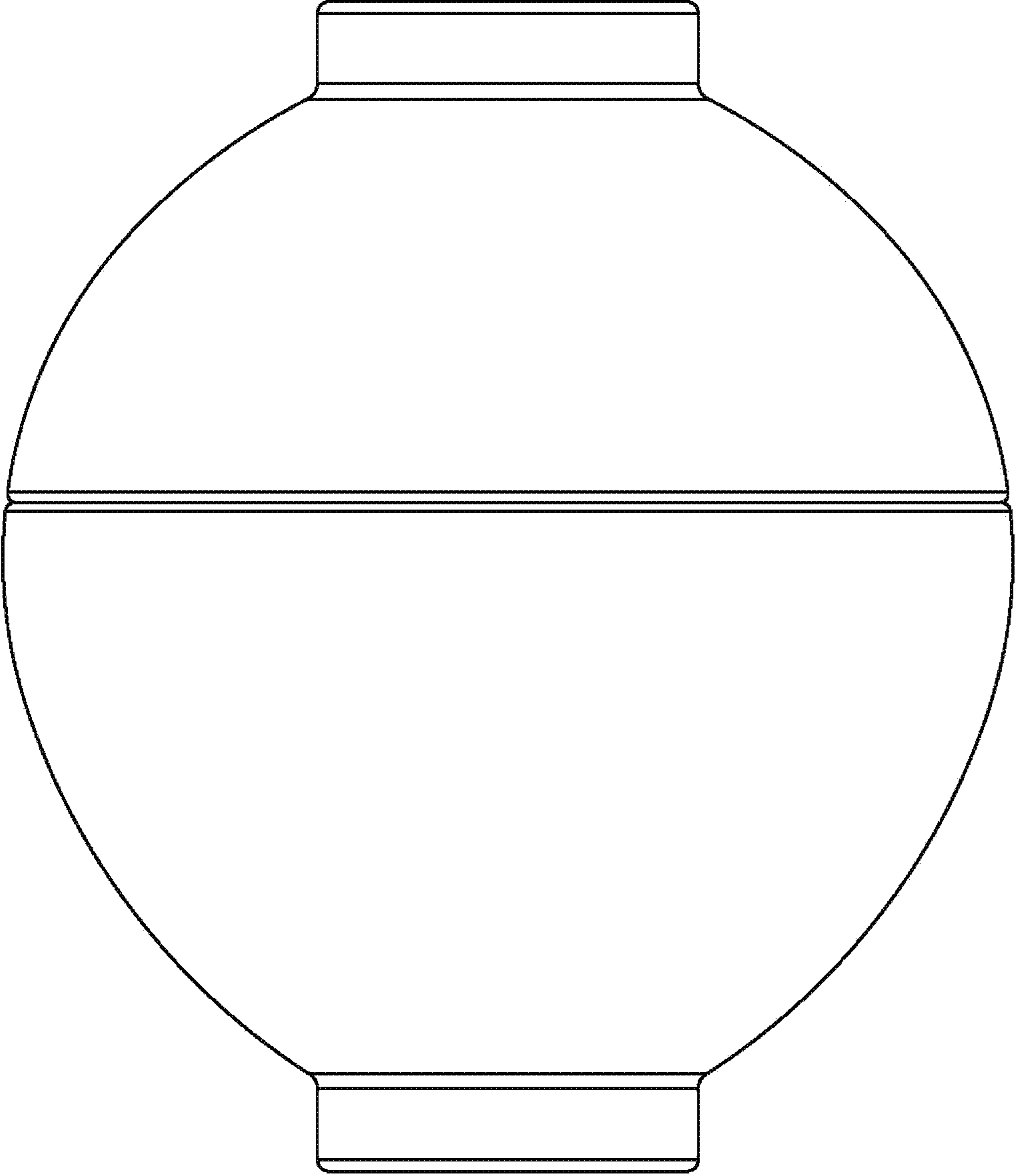
1.3



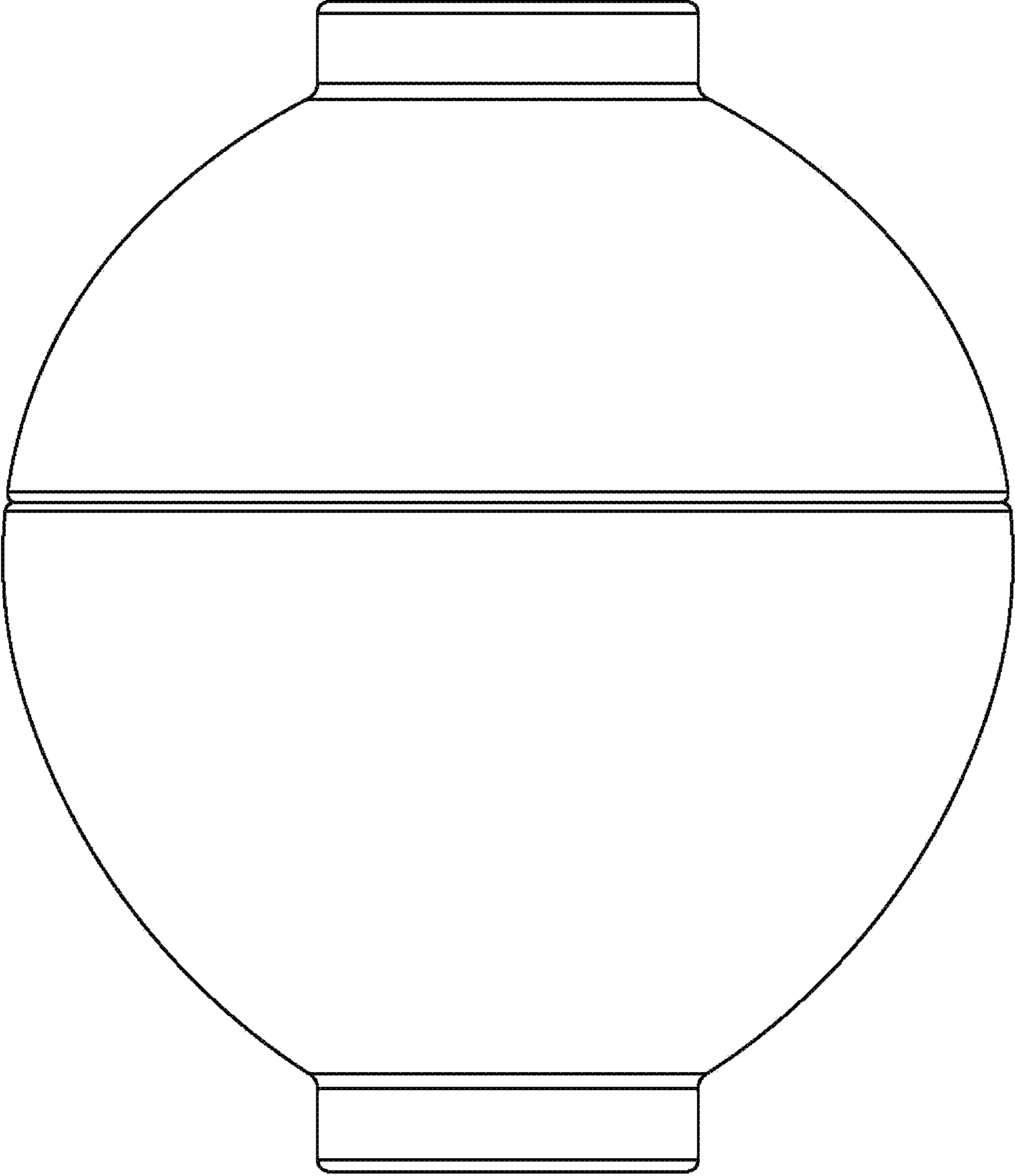
1.4



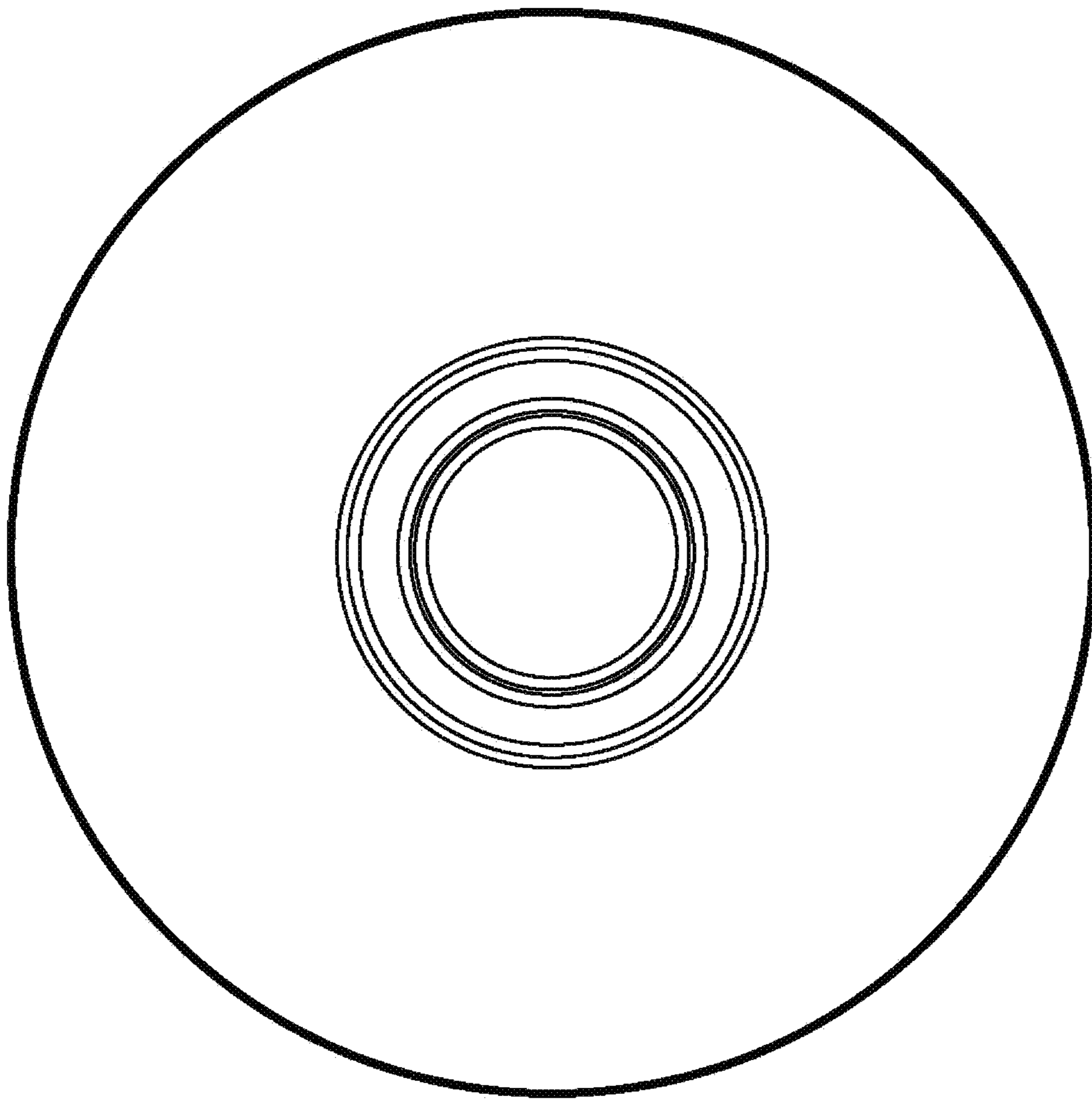
1.5



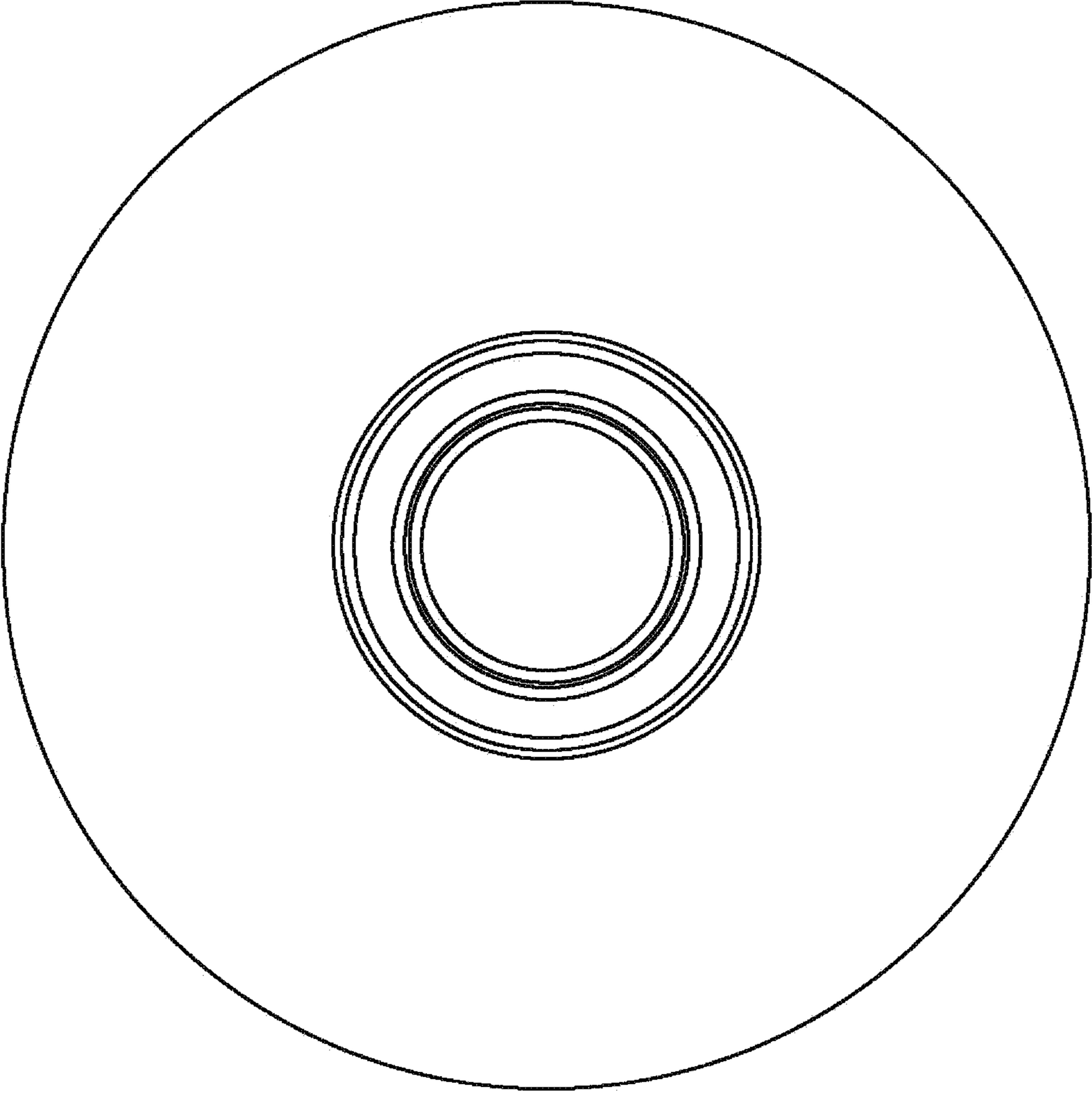
1.6



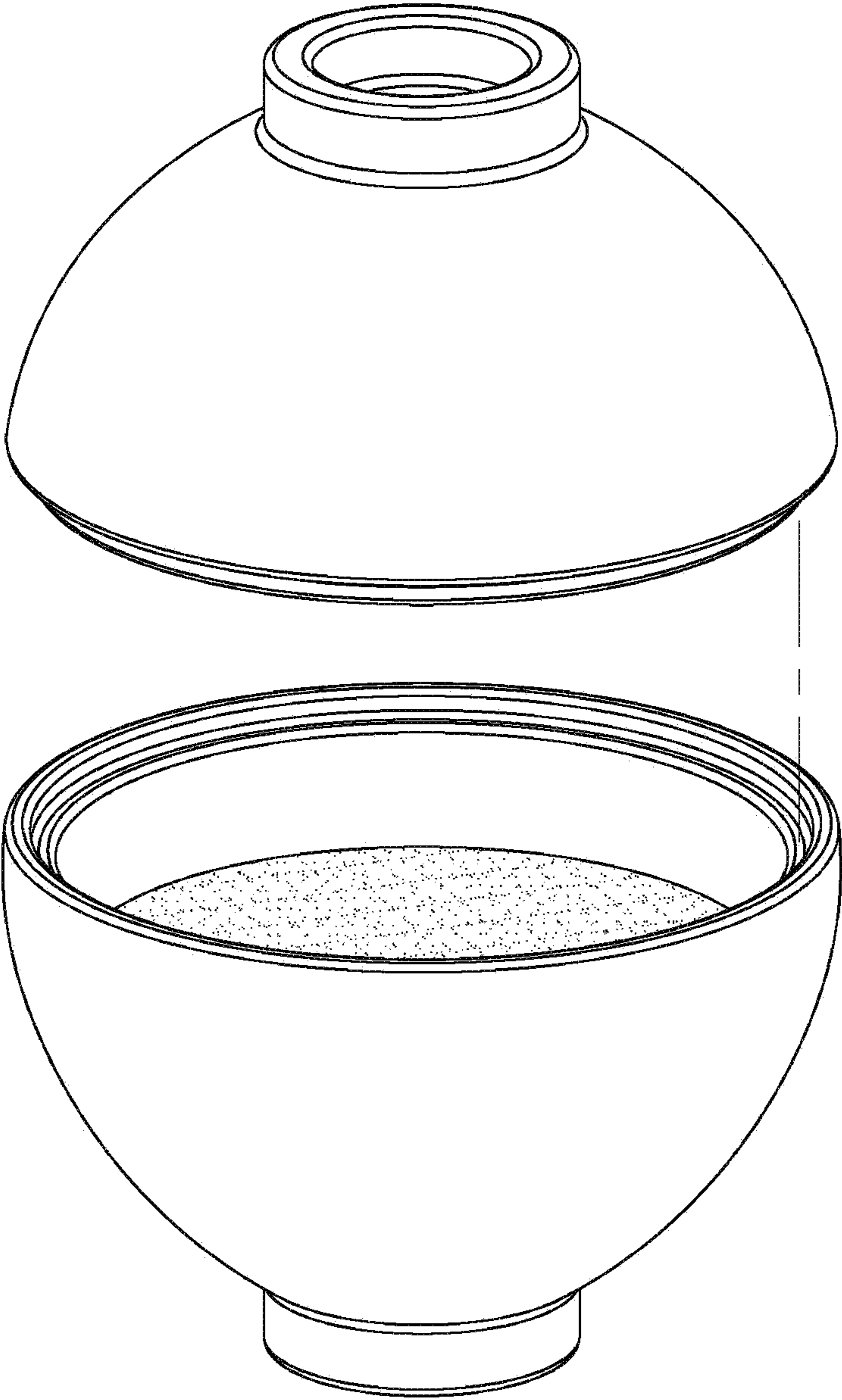
1.7



1.8



1.9



1.10

