



US00D976108S

(12) **United States Design Patent** (10) **Patent No.:** **US D976,108 S**
Zatkoff et al. (45) **Date of Patent:** **** Jan. 24, 2023**

(54) **FOAM PACKAGING ELEMENT**

FOREIGN PATENT DOCUMENTS

(71) Applicant: **ROGER ZATKOFF COMPANY**,
Farmington Hills, MI (US)

CN 201077589 Y * 6/2008
DE 20023776 U1 * 5/2006 B65D 81/053
(Continued)

(72) Inventors: **David Zatkoff**, Farmington Hills, MI
(US); **Marc Staudt**, Farmington Hills,
MI (US)

OTHER PUBLICATIONS

(73) Assignee: **ROGER ZATKOFF COMPANY**,
Farmington Hills, MI (US)

Interlocking foam Floor Tiles. Date posted: Jan. 31, 2016. Site
visited: Nov. 9, 2022. Available online: <https://www.youtube.com/watch?v=ch3NVX-1JTA> (Year: 2016).*

(**) Term: **15 Years**

(Continued)

(21) Appl. No.: **29/866,494**

Primary Examiner — Catherine S Posthauer

Assistant Examiner — Joan E. Diehl

(22) Filed: **Sep. 14, 2022**

(74) *Attorney, Agent, or Firm* — Dickinson Wright PLLC

(51) **LOC (14) Cl.** **09-07**

(57) **CLAIM**

(52) **U.S. Cl.**
USPC **D9/456**

We claim the ornamental design for a foam packaging
element, as shown and described.

(58) **Field of Classification Search**

DESCRIPTION

USPC D9/430, 439, 441, 434, 456, 435, 451,
D9/420; D21/178, 188, 478–480;
D20/23, 30, 43; D19/102–106; D7/503,
D7/504, 558; D28/7; D8/403
CPC A63F 9/1204; A63F 9/12; B65D 81/053;
B65D 81/054; B65D 81/055; B65D
81/107; B65D 81/127; B65D 81/02;
B65D 81/022; B65D 81/1075; B65D
5/50; B65D 51/1611

FIG. 1 is a top-front perspective view of a foam packaging
element;
FIG. 2 is a front view of the foam packaging element of FIG.
1;
FIG. 3 is a rear view of the foam packaging element of FIG.
1;
FIG. 4 is a left side view of the foam packaging element of
FIG. 1;
FIG. 5 is a right side view of the foam packaging element of
FIG. 1;
FIG. 6 is a top view of the foam packaging element of FIG.
1; and,
FIG. 7 is a bottom view of the foam packaging element of
FIG. 1.

See application file for complete search history.

The broken lines in the drawings illustrate portions of the
foam packaging element that form no part of the claimed
design.

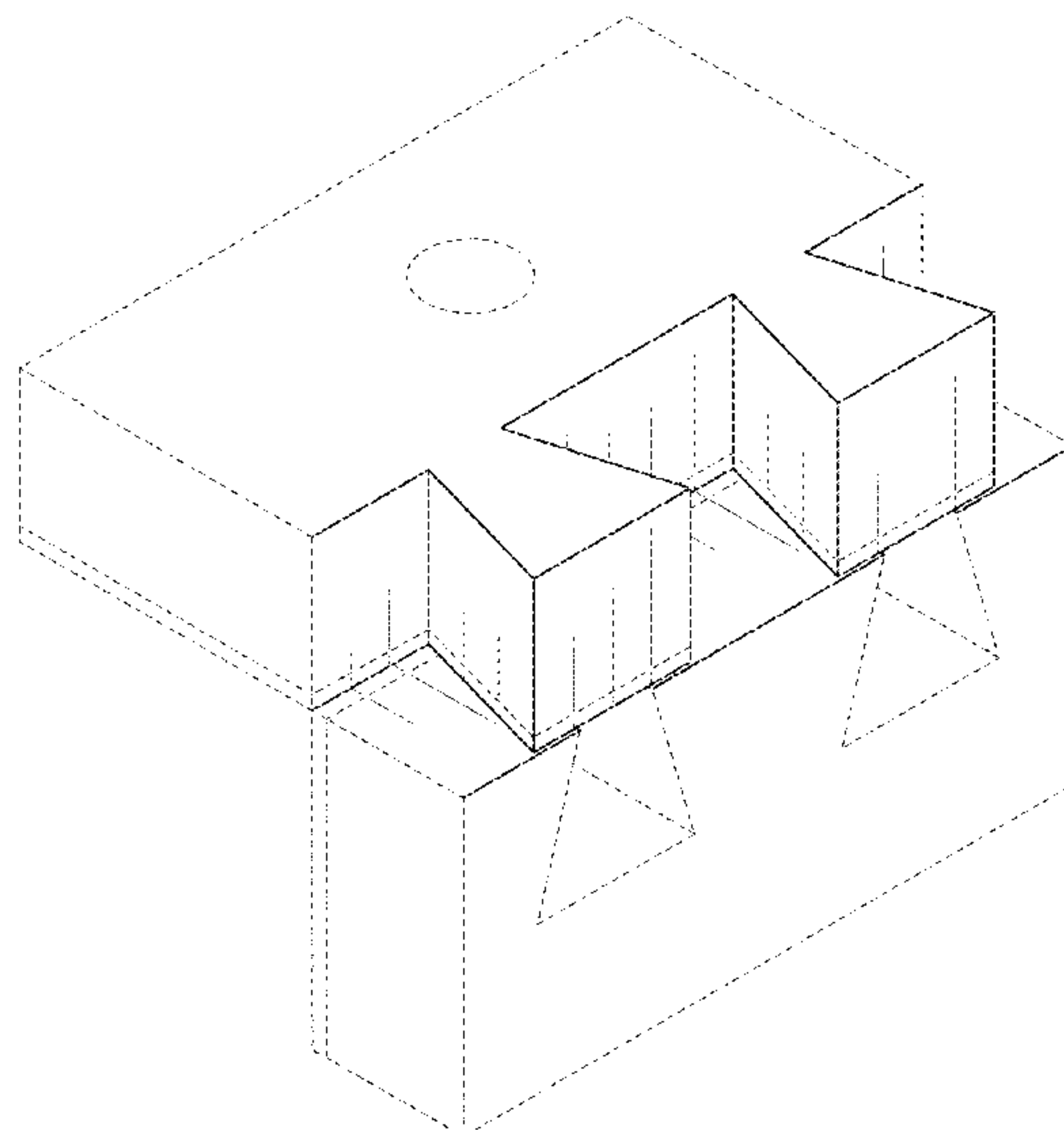
(56) **References Cited**

U.S. PATENT DOCUMENTS

2,867,367 A * 1/1959 Butz B65D 81/054
206/588
3,334,798 A * 8/1967 Pezely, Jr. A63F 9/1204
446/124
D228,062 S * 8/1973 Butz D9/456
3,854,650 A 12/1974 Hanaue
3,994,433 A 11/1976 Jenkins et al.

(Continued)

1 Claim, 4 Drawing Sheets



(56)

References Cited

OTHER PUBLICATIONS

U.S. PATENT DOCUMENTS

4,072,231 A 2/1978 Helms
 5,175,041 A 12/1992 Webb et al.
 D384,585 S * 10/1997 Swarr D9/456
 6,000,545 A 12/1999 Smith
 6,508,362 B2 1/2003 Hnatow et al.
 D584,621 S 1/2009 Jean
 D603,263 S * 11/2009 Chaimberg D8/403
 7,654,391 B2 2/2010 Langer et al.
 7,810,642 B2 10/2010 Cheng et al.
 7,913,896 B2 3/2011 Reinkensmeyer
 D640,919 S 7/2011 Lavelle
 8,584,928 B2 11/2013 Keissner
 8,752,707 B2 6/2014 McDonald et al.
 9,598,217 B2 3/2017 Giller
 D871,213 S * 12/2019 Cram D9/456
 10,906,720 B2 * 2/2021 Ji B65D 81/022
 2002/0056656 A1 5/2002 Beliveau
 2006/0278555 A1 * 12/2006 Langer B65D 51/1611
 2018/0029766 A1 2/2018 Chung et al.
 2021/0403218 A1 * 12/2021 Merrell B65D 81/1075

FOREIGN PATENT DOCUMENTS

DE 202006008937 U1 8/2006
 EP 1433717 A1 3/2011
 FR 127820 S 5/1979
 JP 2009241960 A * 10/2009 B65D 81/053
 KR 20180112945 A * 10/2018

Dreambaby Foam Corner Protectors. Date posted: Apr. 6, 2016. Site visited: Nov. 9, 2022. Available online: <https://www.youtube.com/watch?v=WP-TY10pDJE> (Year: 2016).*

Carton Packing Corner Guard Frame Corner Protectors. Date first available: Jul. 6, 2021. Site visited: Nov. 9, 2022. Available online: https://www.amazon.com/UoYu-Protectors-Protector-Furniture-Packaging/dp/B098PZZ74G/ref=sr_1_20 (Year: 2021).*

Makita T-02571 Customizable Foam Insert for Interlocking Cases. Date first available: Aug. 1, 2014. Site visited: Nov. 18, 2022. Available online: <https://www.amazon.com/Makita-T-02571-Customizable-Insert-Interlocking/dp/B00ME73UD6> (Year: 2014).*

EzeeCorner Foam Corner Protectors for Shipping, retrieved on Sep. 14, 2022, 2 pages, <https://indexpackaging.com/stock-packaging/ezeecorner>.

Foam Corner Guards _ BGR, retrieved on Sep. 14, 2022, 3 pages, <https://www.packbgr.com/cornerboard-edge-protection/corner-protectors.asp>.

Order Custom Corner Potectors from Cactus Containers, retrieved on Sep. 14, 2022, 4 pages, <https://www.cactuscontainers.com/packaging-supplies/corner-protectors>.

Corrugated Packaging Supplies _ Foam Corner Protectors, retrieved on Sep. 14, 2022, 2 pages, <https://www.westtexascontainer.com/foam-corner-protectors.html>.

Corner Keepers_ Foam Corner Protection _ Pregis, retrieved on Sep. 14, 2022, 3 pages, <https://www.pregis.com/us-solutions/by-product/specialty-products/corner-keepers>.

Foam Protectors in Stock—Uline, retrieved on Sep. 14, 2022, 1 page, https://www.uline.com/BL_2154/Foam-Protectors.

Kingdom Group _ Foam Corner, retrieved on Sep. 14, 2022, 1 page, <https://www.kingdomgroup.com/product/foam-corner>.

* cited by examiner

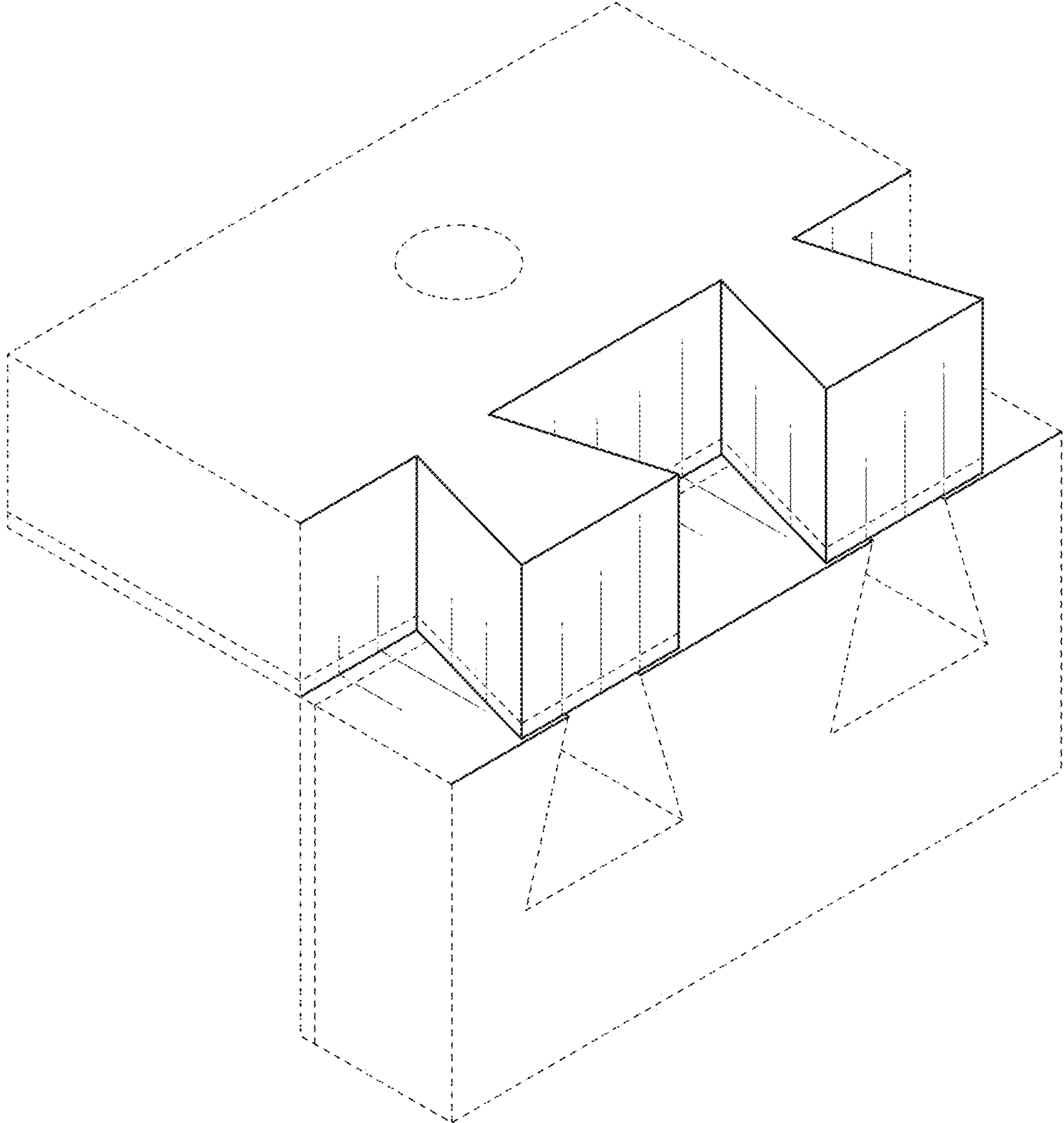


FIG. 1

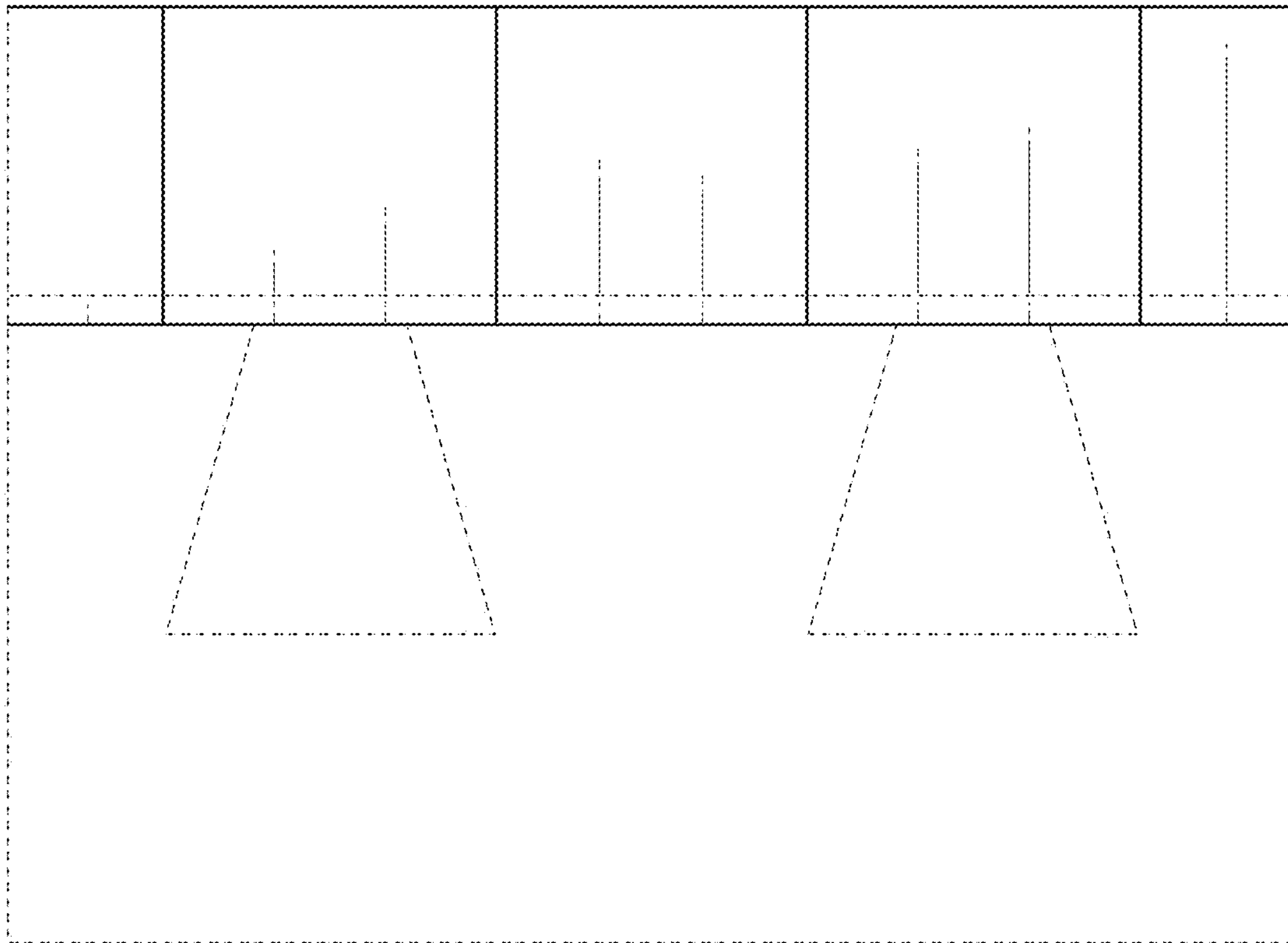


FIG. 2

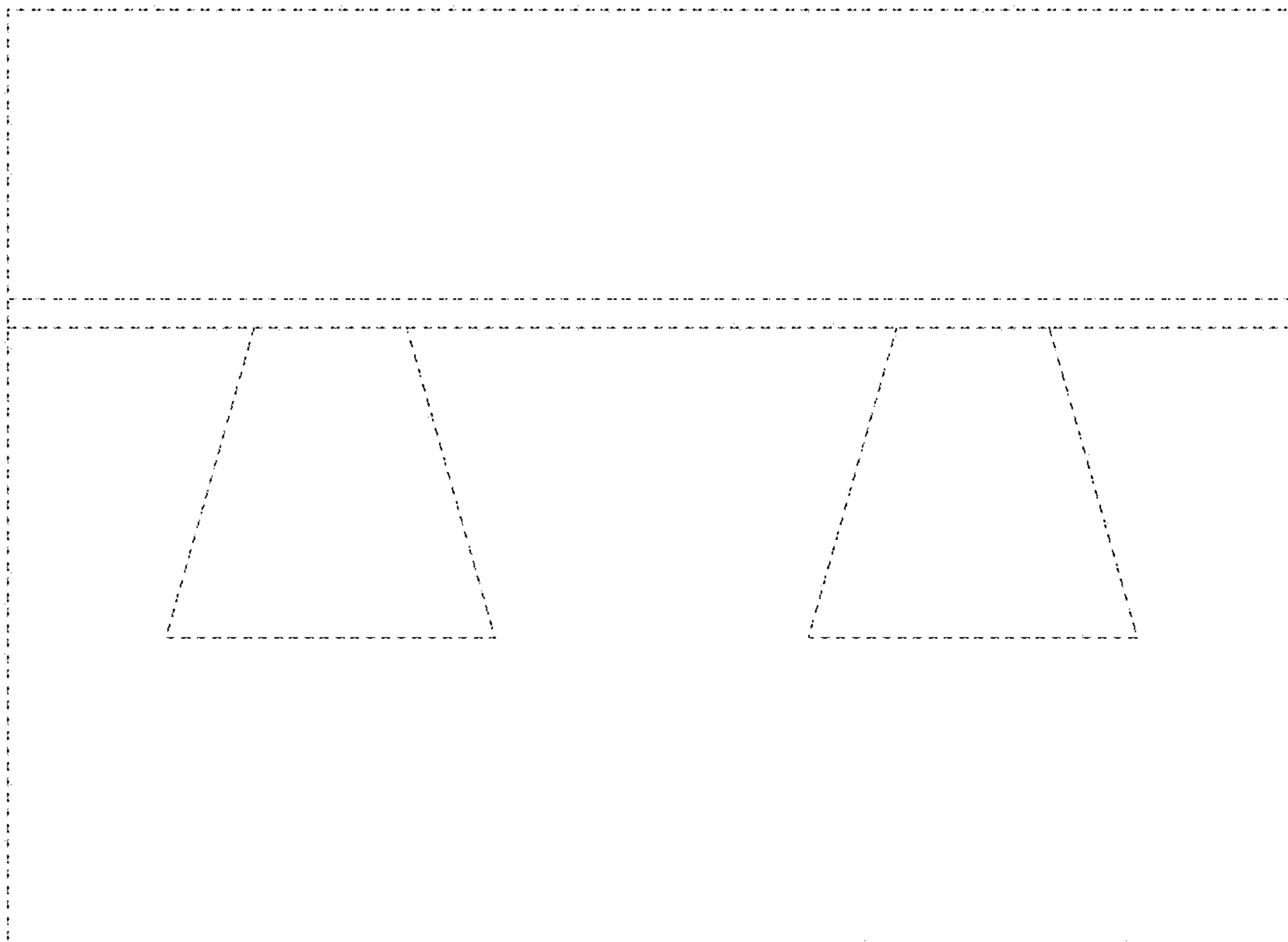


FIG. 3

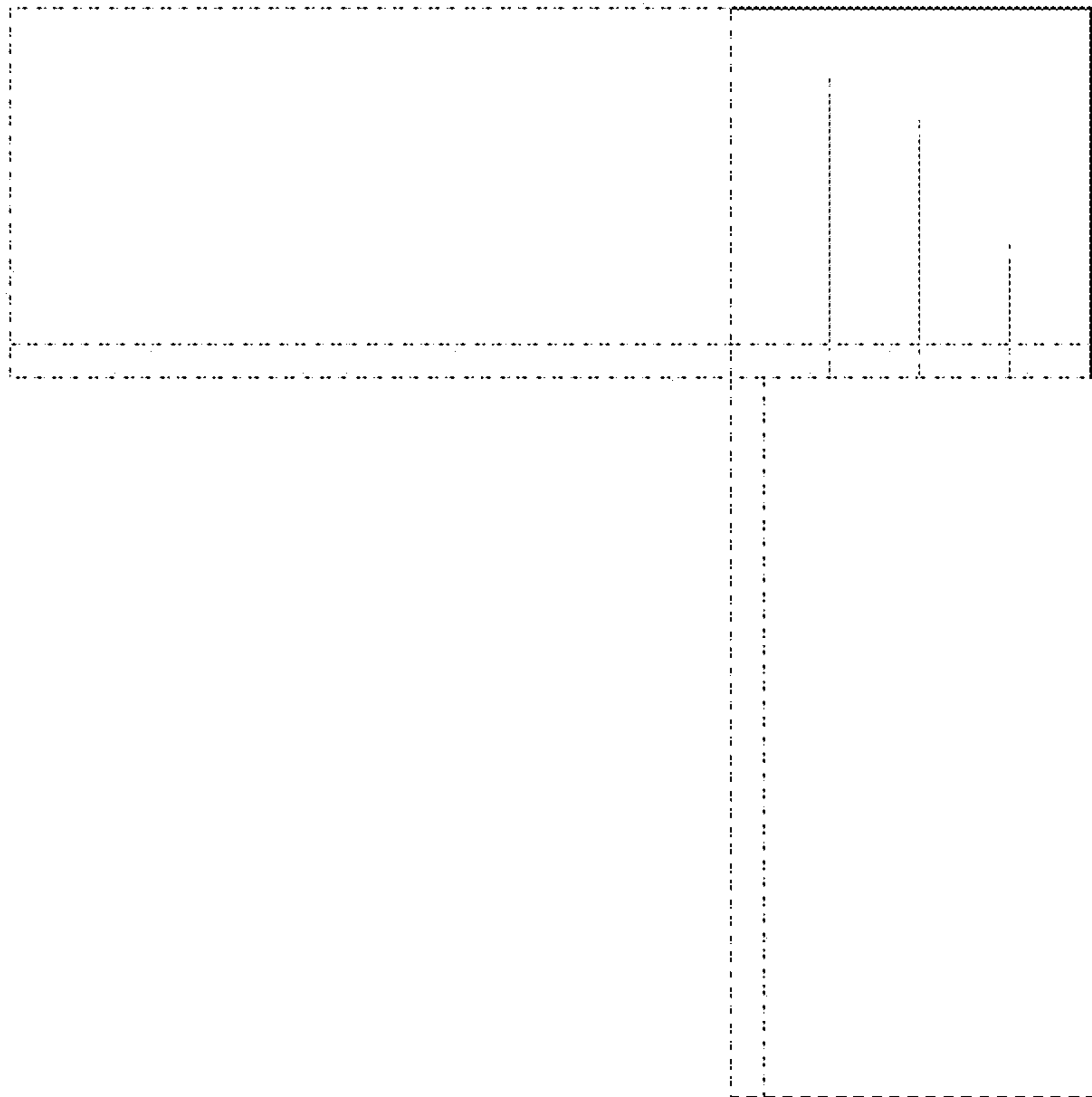


FIG. 4

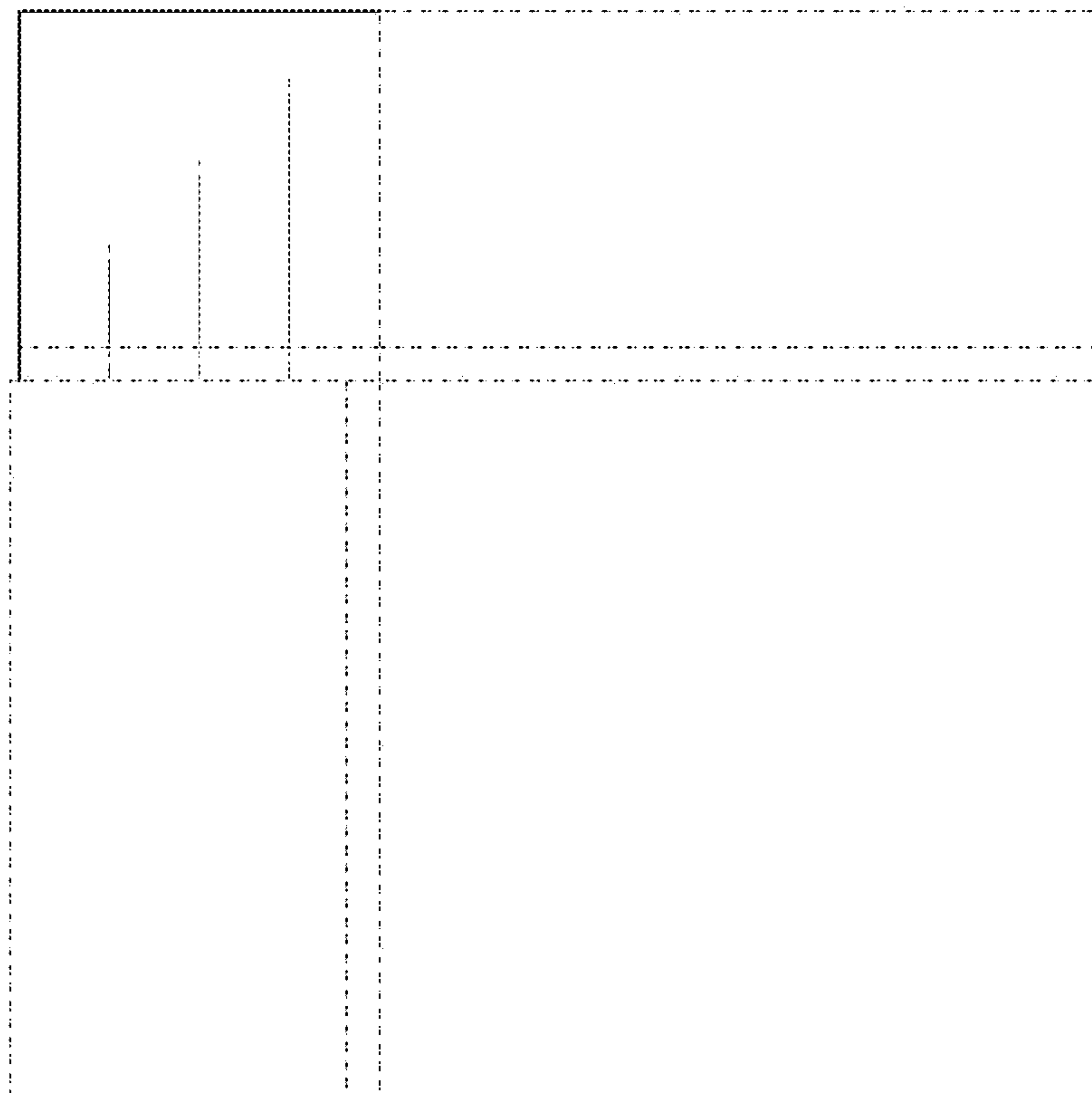


FIG. 5

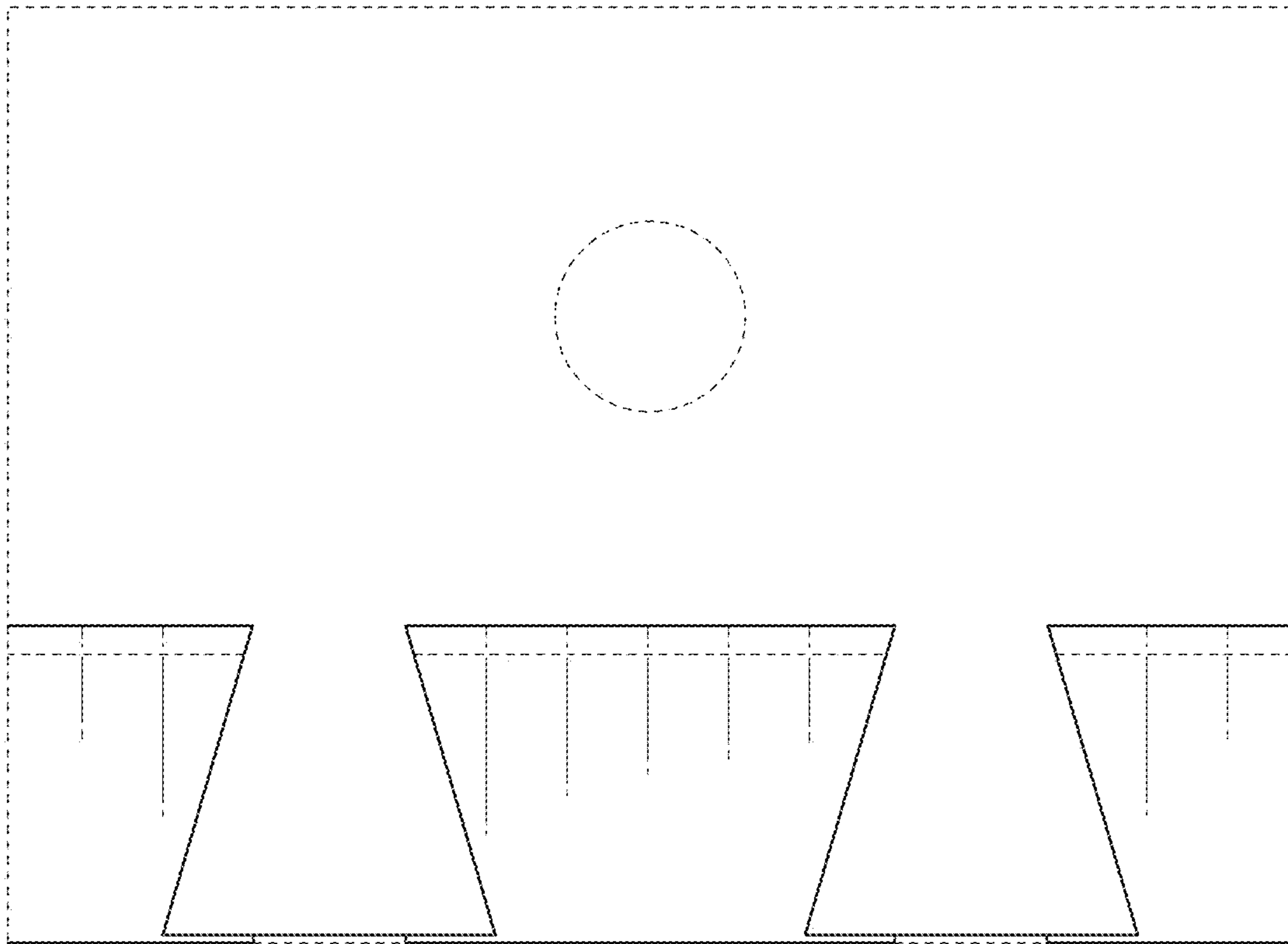


FIG. 6



FIG. 7