



US00D976107S

(12) **United States Design Patent**
Yoshida

(10) **Patent No.:** **US D976,107 S**
(45) **Date of Patent:** **** Jan. 24, 2023**

(54) **PLASTIC COVER**

- (71) Applicant: **DAIKYO SEIKO, LTD.**, Tochigi (JP)
- (72) Inventor: **Takayuki Yoshida**, Tochigi (JP)
- (73) Assignee: **DAIKYO SEIKO, LTD.**, Tochigi (JP)
- (**) Term: **15 Years**
- (21) Appl. No.: **29/753,381**
- (22) Filed: **Sep. 30, 2020**

Related U.S. Application Data

- (62) Division of application No. 29/683,126, filed on Mar. 11, 2019, now Pat. No. Des. 907,494.
- (51) **LOC (14) Cl.** **09-07**
- (52) **U.S. Cl.**
USPC **D9/454; D9/443**
- (58) **Field of Classification Search**
USPC D7/392.1, 396.2, 387, 601, 602, 509,
D7/510, 523, 629, 630; D9/452-454,
D9/499, 443, 445-450, 504, 520, 737,
D9/744, 745, 754, 434-440; D3/201,
D3/202, 242, 243, 272, 276, 304, 308,
D3/315, 318
CPC B65D 1/0223; B65D 23/12; B65D 41/04;
B65D 51/24; A61L 9/12
See application file for complete search history.

(56) **References Cited**

U.S. PATENT DOCUMENTS

- D261,486 S 10/1981 Smith
- 4,375,862 A * 3/1983 Kurinsky B65D 43/0212
D7/392.1
- D360,336 S * 7/1995 Bitel, Jr. D7/391
- D432,914 S * 10/2000 Hayes D9/434
- D522,857 S * 6/2006 Tabeshnekoo D9/435
- D600,120 S 9/2009 Kawamura

(Continued)

OTHER PUBLICATIONS

Daikyo. PLASCAP. No date specified. <https://www.daikyoseiko.jp/en/product/plascap/> (Year: 0).*
(Continued)

Primary Examiner — Darcey E Gottschalk
(74) *Attorney, Agent, or Firm* — Hamre, Schumann, Mueller & Larson, P.C.

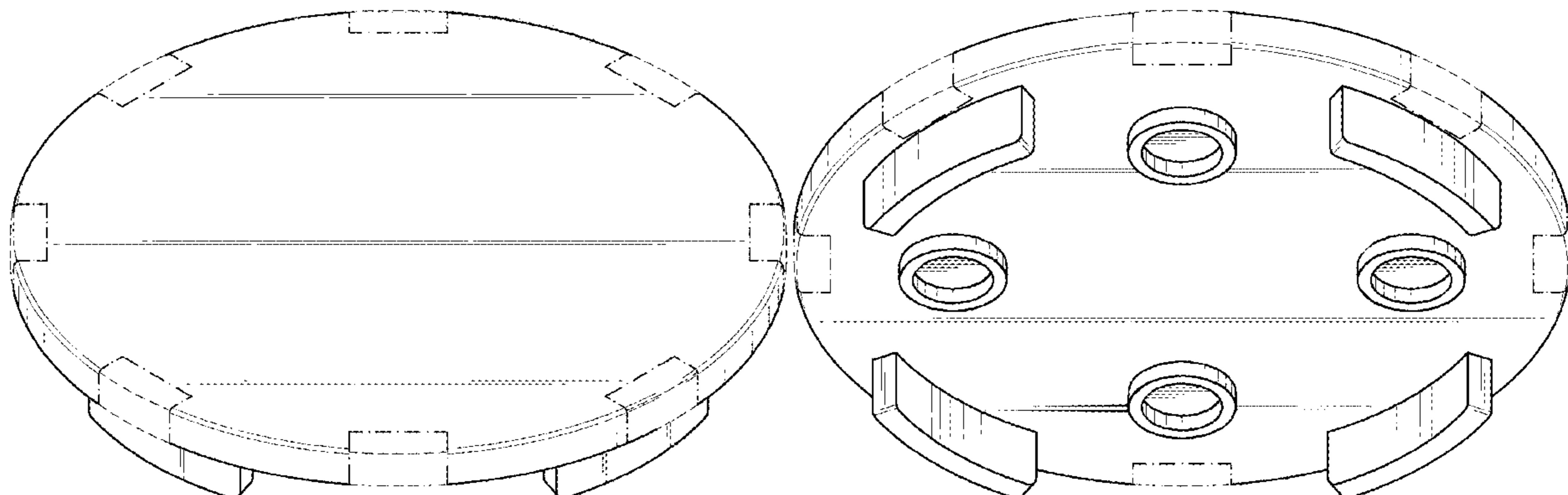
(57) **CLAIM**

The ornamental design for a plastic cover, as shown and described.

DESCRIPTION

FIG. 1 is a top perspective view of a plastic cover showing our design;
 FIG. 2 is a bottom perspective view thereof;
 FIG. 3 is a top plan view thereof;
 FIG. 4 is a bottom plan view thereof;
 FIG. 5 is a front elevational view thereof, the left, right, and rear elevational views being identical thereto;
 FIG. 6 is a cross sectional view thereof along the line 6-6 in FIG. 3;
 FIG. 7 is an enlarged view of the left end portion of the cross sectional view thereof as indicated in FIG. 6;
 FIG. 8 is an enlarged view of the right end portion of the cross sectional view thereof as indicated in FIG. 6;
 FIG. 9 is a top perspective view of the plastic cover shown in an environment of use;
 FIG. 10 is a bottom plan view of the plastic cover shown in the environment of use; and,
 FIG. 11 is a cross sectional view of the plastic cover shown in the environment of use along the line 11-11 in FIG. 9.
 The broken lines in FIGS. 1-11 indicate unclaimed portions and environment and form no part of the claimed design. The dot-dash lines in FIGS. 1-11 define the bounds of the claimed design and form no part thereof.

1 Claim, 8 Drawing Sheets



(56)

References Cited

U.S. PATENT DOCUMENTS

D630,944 S 1/2011 Kawamura
 D675,922 S * 2/2013 MacNeill D9/438
 D678,769 S 3/2013 Kawamura
 D678,770 S 3/2013 Kawamura
 D678,771 S 3/2013 Kawamura
 D717,104 S 11/2014 Redfern
 D718,133 S 11/2014 Fraser et al.
 D752,975 S 4/2016 Gatto
 D756,222 S * 5/2016 Lopez D9/434
 D763,083 S * 8/2016 Seybel D9/454
 D774,887 S 12/2016 Torrison
 D795,068 S 8/2017 Lefebvre et al.
 D826,047 S 8/2018 Griffis
 D827,435 S 9/2018 Griffis
 D854,878 S 7/2019 Duvigneau
 D866,248 S 11/2019 Baron et al.
 D875,525 S 2/2020 Griffis
 D876,236 S 2/2020 Griffis
 D907,493 S * 1/2021 Yoshida D9/454

D907,494 S * 1/2021 Yoshida D9/454
 D917,963 S * 5/2021 Öztürk D7/392.1
 D959,192 S * 8/2022 Lin D7/619.1
 D959,982 S * 8/2022 Xie D9/454
 D960,706 S * 8/2022 Yamada D9/454
 D960,707 S * 8/2022 Yamada D9/454
 2012/0118894 A1 5/2012 Kawamura et al.

OTHER PUBLICATIONS

Contact Pharma. West Showcases Daikyo Plascap Ruv at PDA. Mar. 19, 2018. https://www.contractpharma.com/contents/view_breaking-news/2018-03-19/west-showcases-daikyo-plascap-ruv-at-pda/ (Year: 2018).
 37 CFR 1.132 Declaration for U.S. Appl. No. 13/282,884, filed Jul. 20, 2018, 12 pages.
 “Flurotec Closures”, Daikyo, available at <http://www.daikyoseiko.jp/english/rubber/laminated.html>, no date specified, 1 page (cited in the Restriction Requirement dated Apr. 28, 2020 in the parent U.S. Appl. No. 29/683,124).

* cited by examiner

Fig. 1

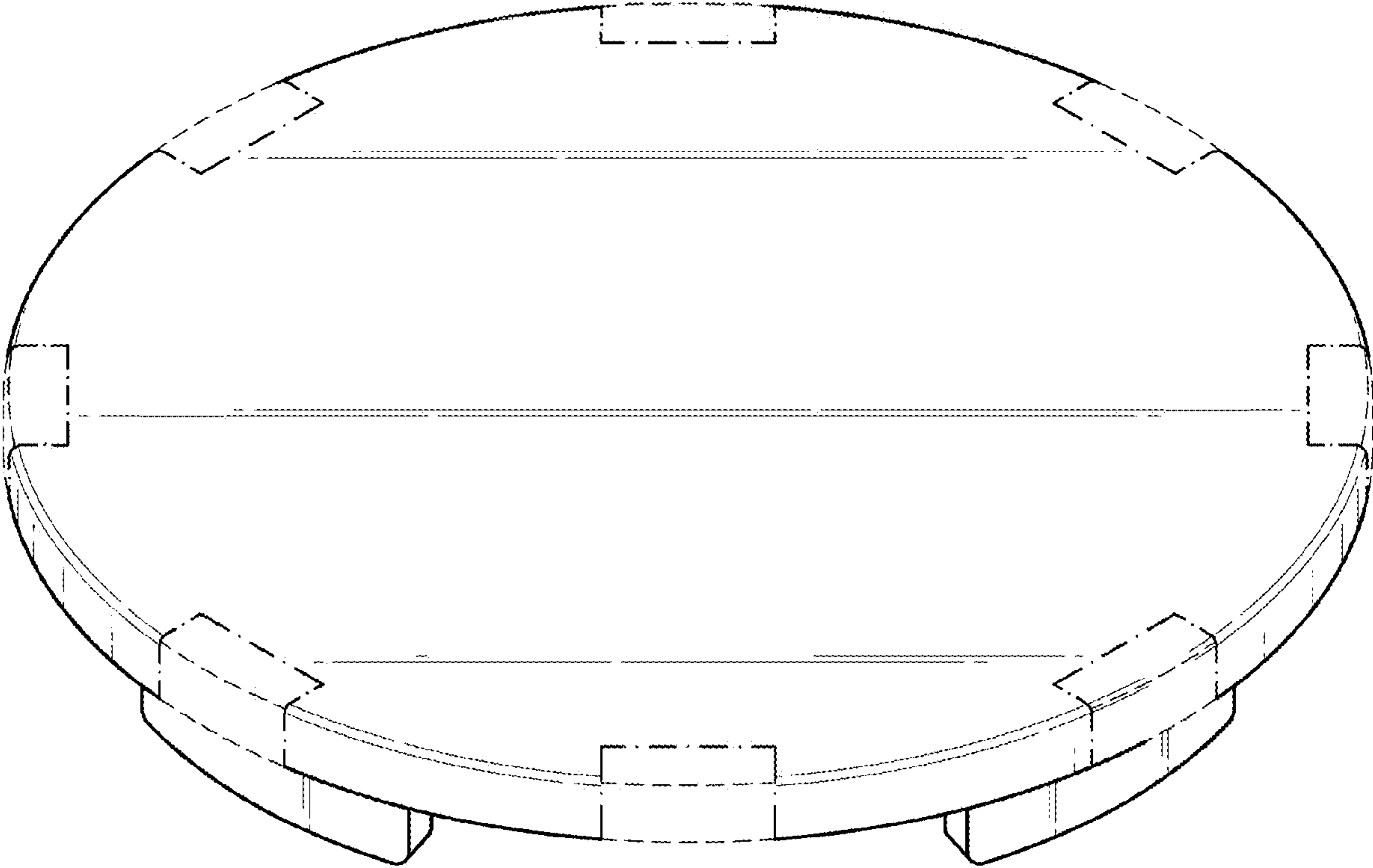


Fig. 2

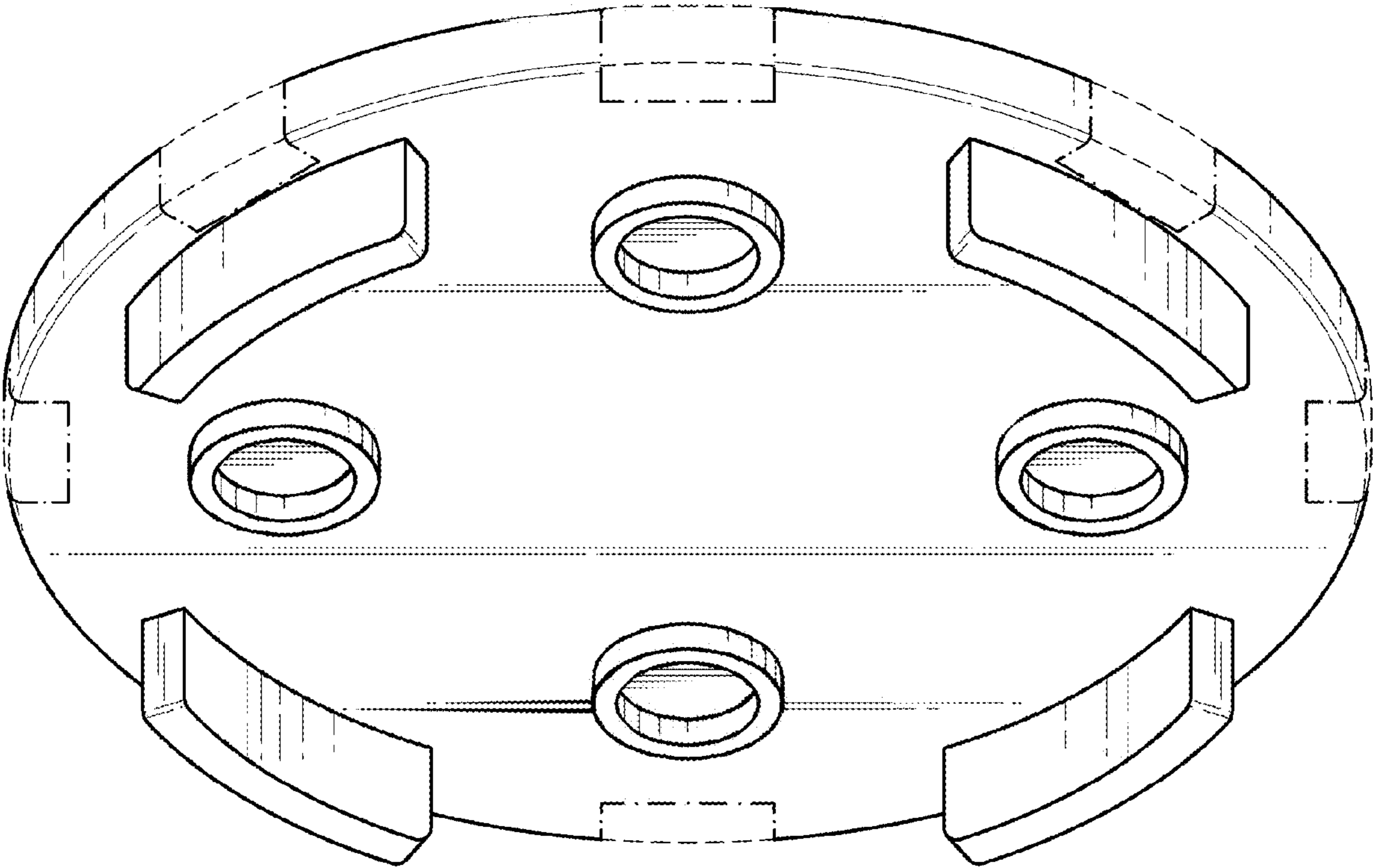


Fig. 3

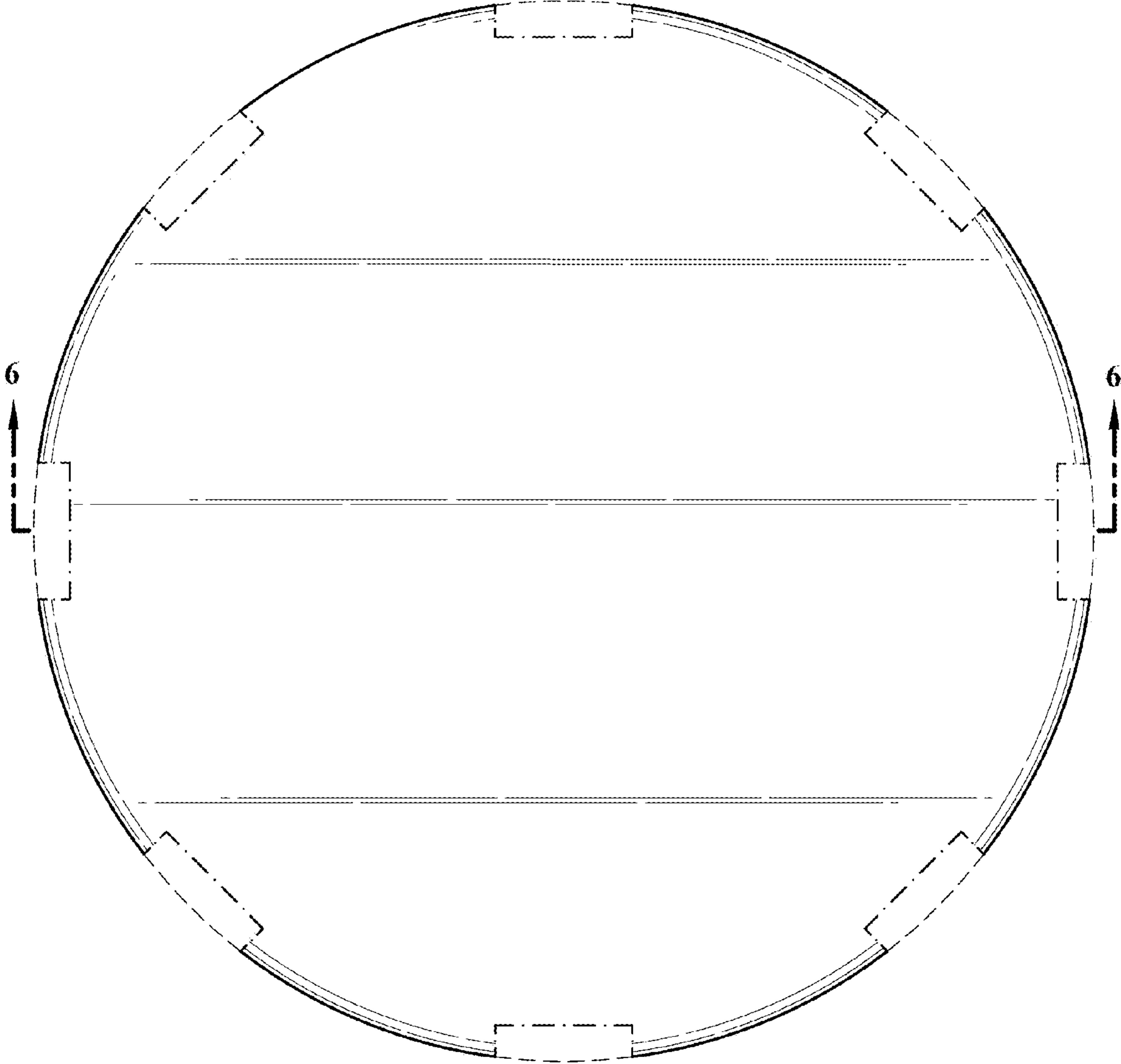


Fig. 4

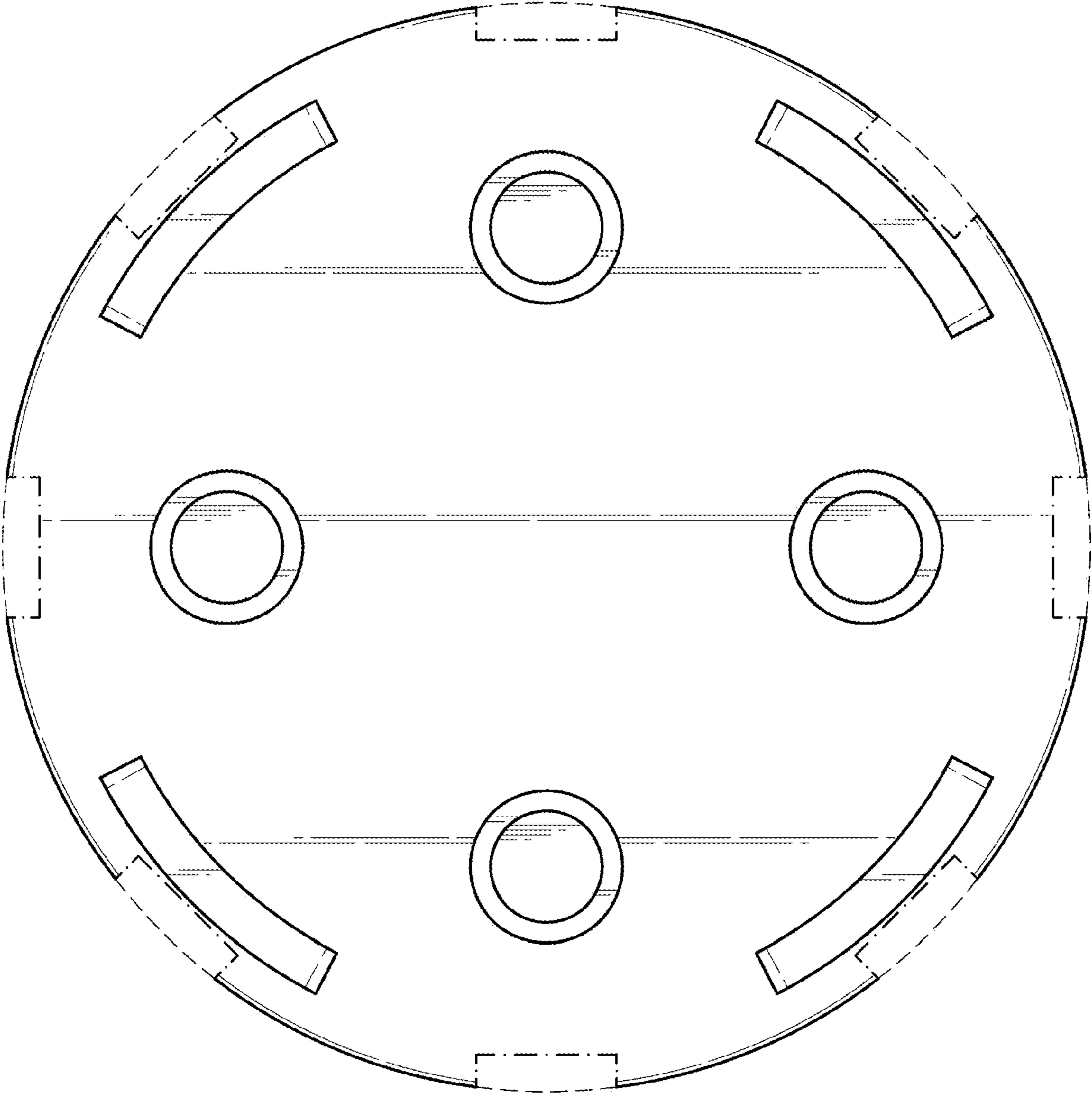


Fig. 5

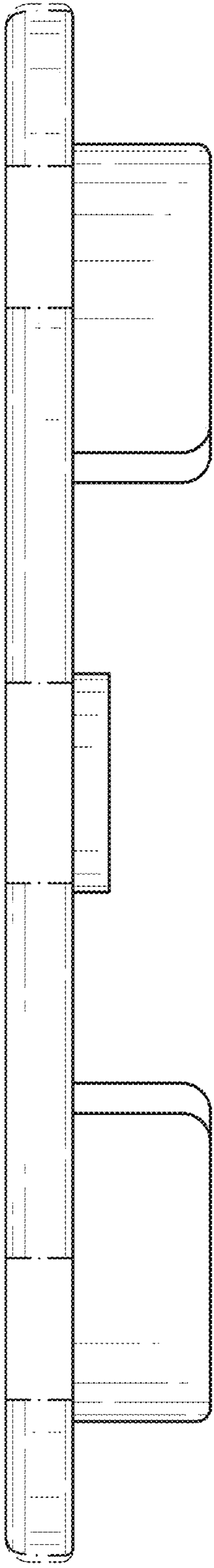


Fig. 6

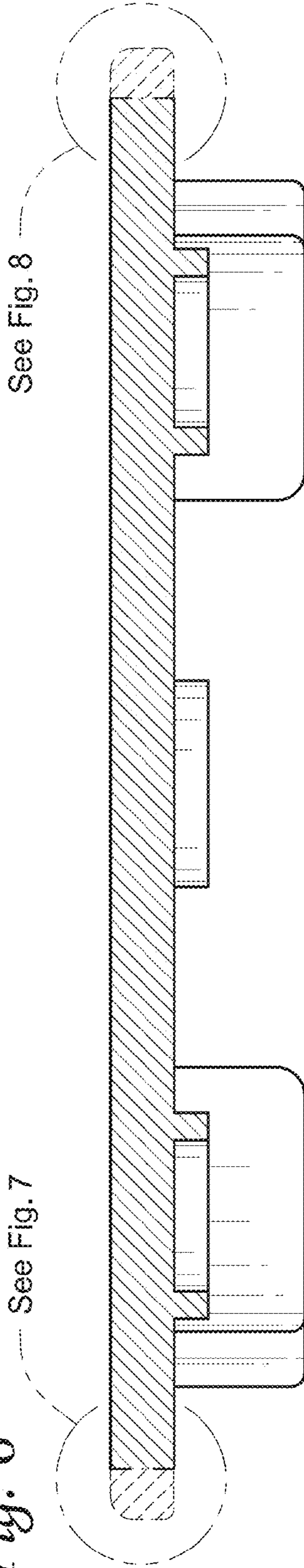


Fig. 7

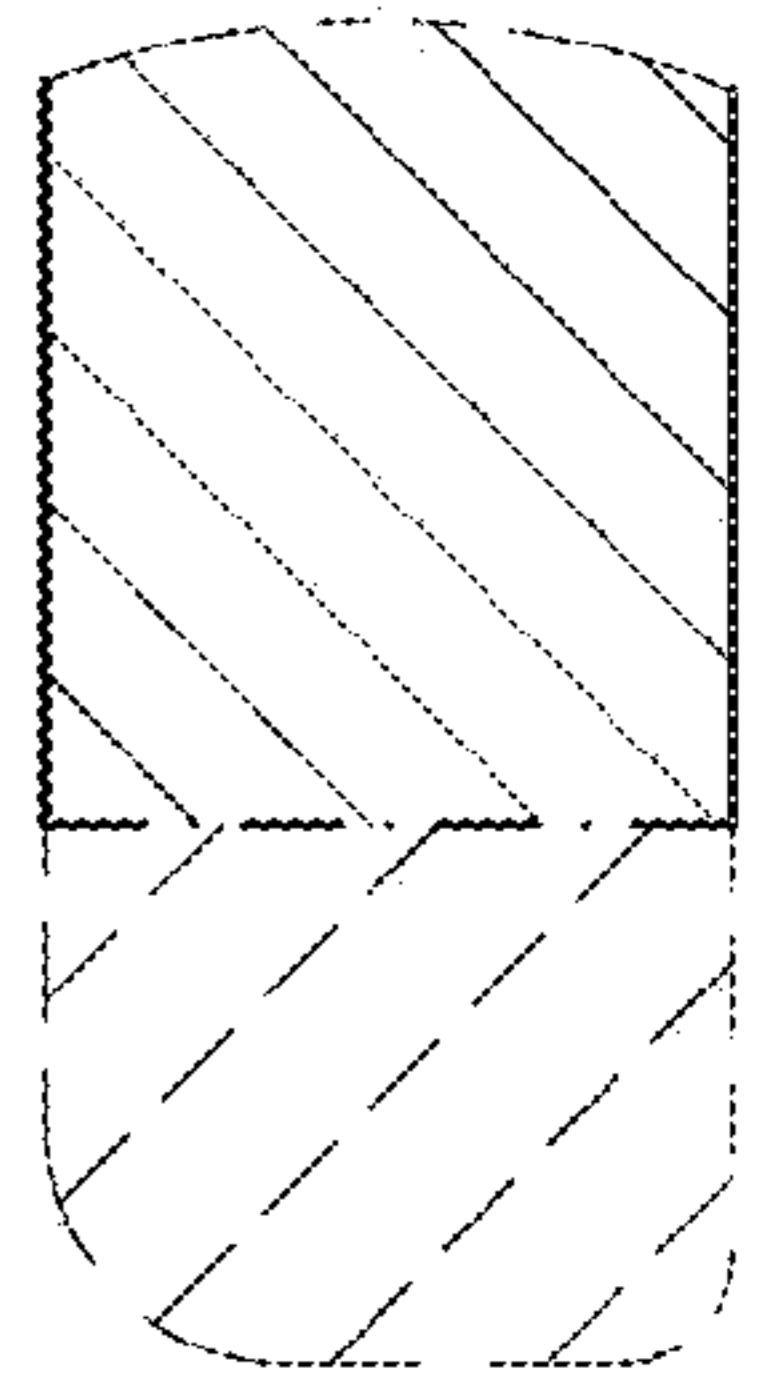


Fig. 8

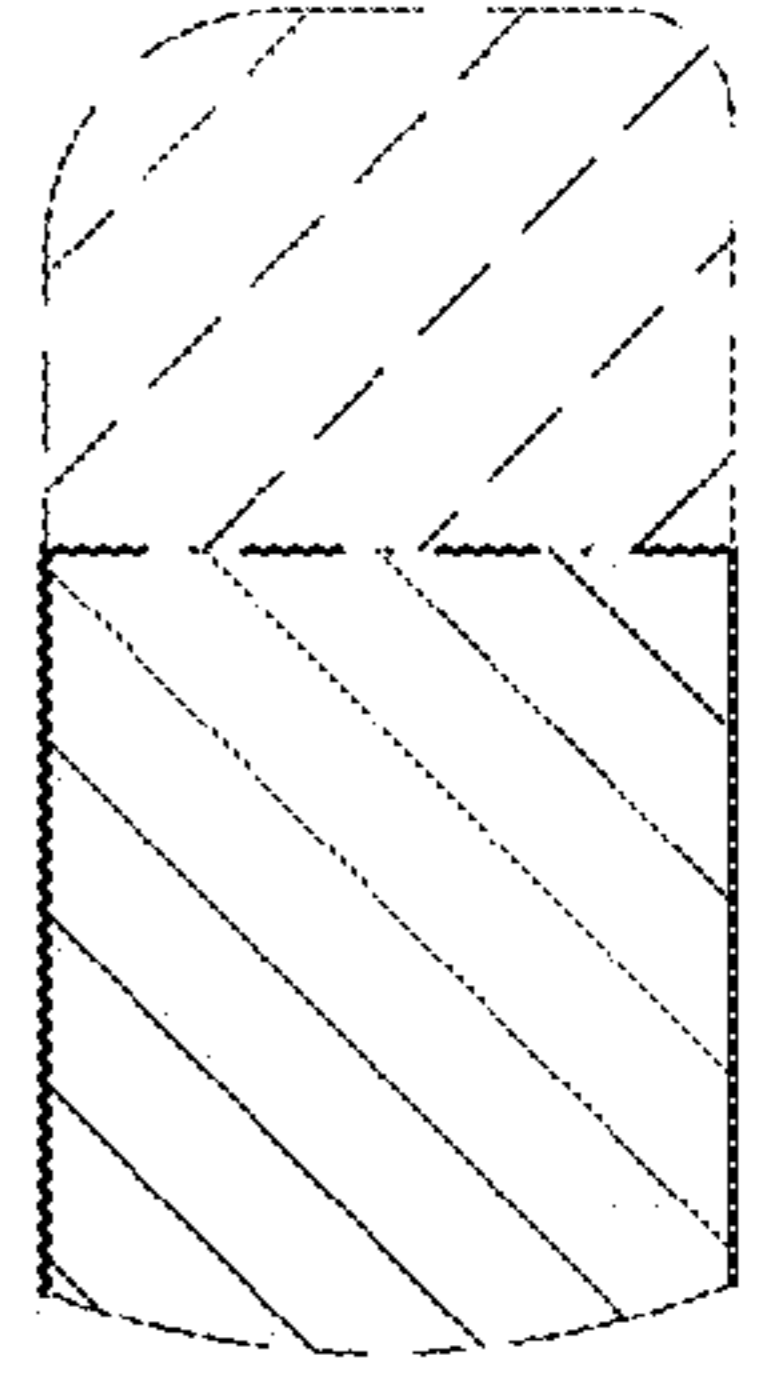


Fig. 9

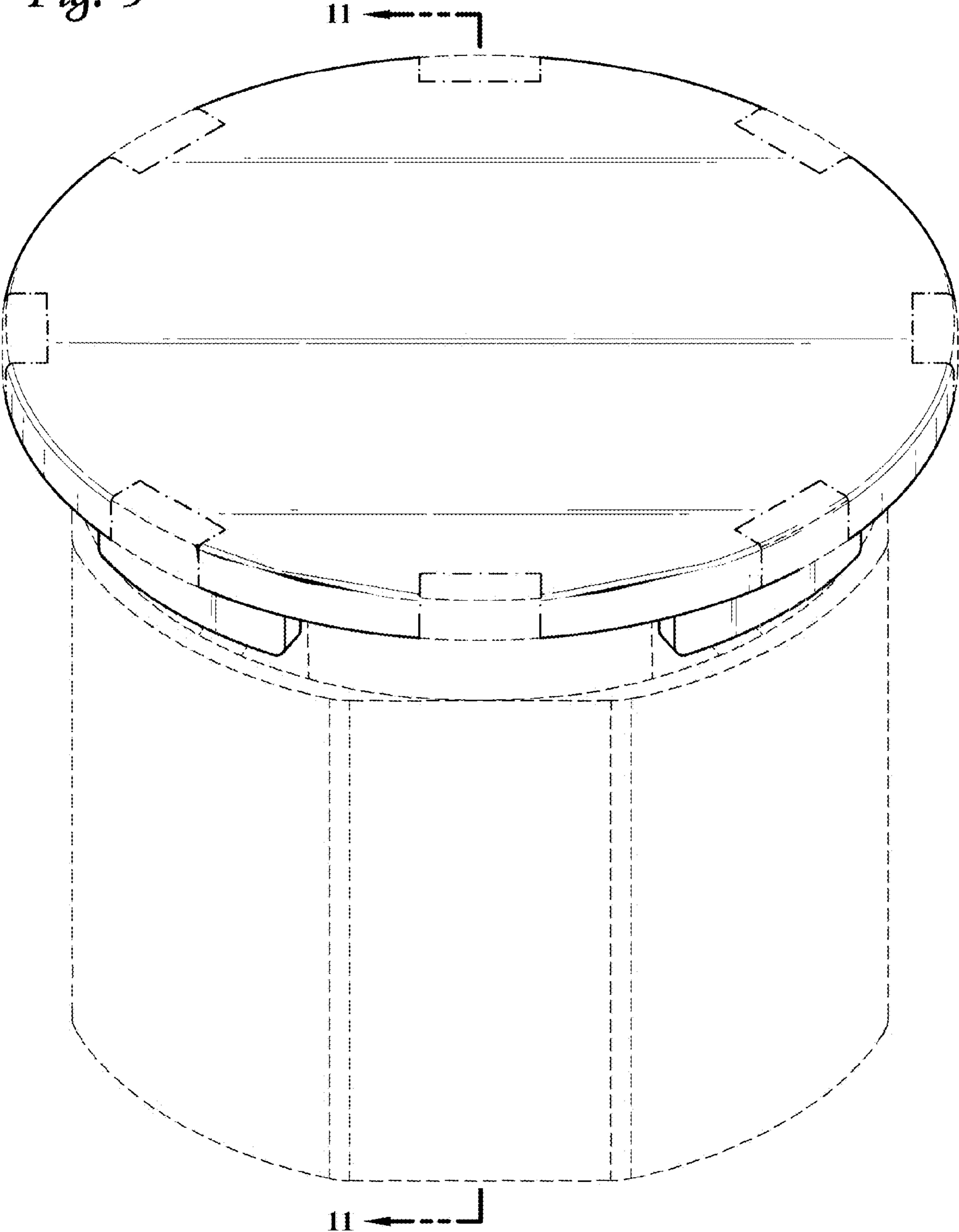


Fig. 10

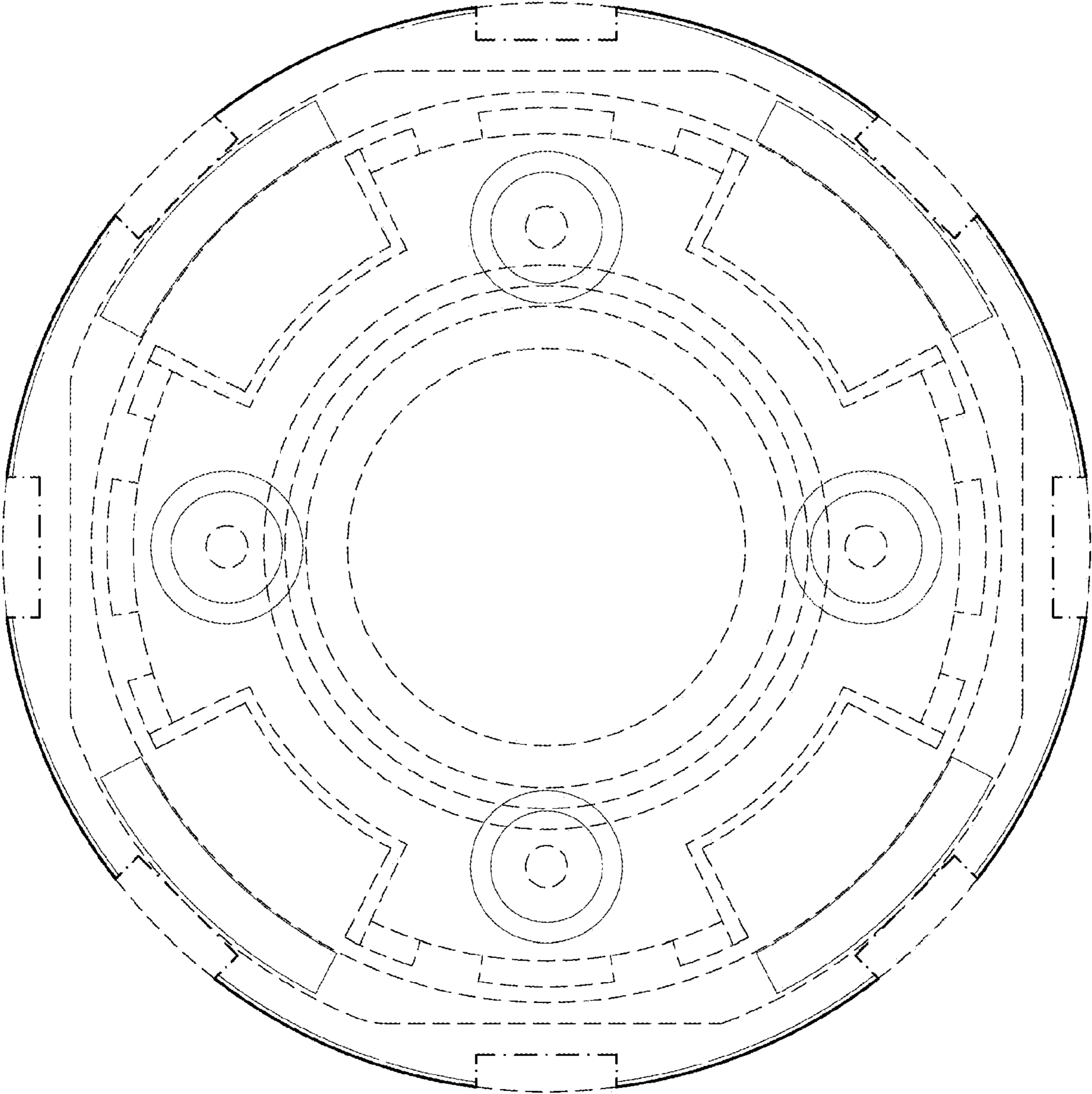


Fig. 11

