



US00D976104S

(12) **United States Design Patent** (10) **Patent No.:** **US D976,104 S**
Sill et al. (45) **Date of Patent:** **** Jan. 24, 2023**

- (54) **CLOSEABLE CONTAINER**
- (71) Applicant: **Inno-Pak, LLC**, Delaware, OH (US)
- (72) Inventors: **Jonathan D. Sill**, Delaware, OH (US);
Steven A. Mayer, Indianapolis, IN (US)
- (73) Assignee: **Inno-Pak, LLC**, Delaware, OH (US)
- (**) Term: **15 Years**
- (21) Appl. No.: **29/838,344**
- (22) Filed: **May 12, 2022**

Related U.S. Application Data

- (60) Division of application No. 29/722,940, filed on Feb. 3, 2020, now Pat. No. Des. 962,761, which is a division of application No. 29/605,393, filed on May 25, 2017, now Pat. No. Des. 879,606, which is a division of application No. 29/573,833, filed on Aug. 10, 2016, now Pat. No. Des. 787,933, which is a division of application No. 29/545,308, filed on Nov. 11, 2015, now Pat. No. Des. 774,897, which is a continuation of application No. 29/527,085, filed on May 15, 2015, now Pat. No. Des. 762,113.

- (51) **LOC (14) Cl.** **09-03**
- (52) **U.S. Cl.**
USPC **D9/432; D9/418**
- (58) **Field of Classification Search**
USPC D9/414-415, 418, 432, 434; D3/203.2;
D10/64
CPC B65D 25/22; B65D 71/125; A01K 67/033
See application file for complete search history.

(56) **References Cited**

U.S. PATENT DOCUMENTS

- D259,253 S 5/1981 Nelson
- D262,945 S 2/1982 Lytra

- D263,796 S 4/1982 Fireman
- D265,551 S 7/1982 Colby
- D271,283 S 11/1983 Taylor
- D271,664 S 12/1983 Cowan, Jr.
- D274,407 S 6/1984 Rosenburg, Jr.
- D279,355 S 6/1985 Ujiie
- D291,065 S 7/1987 Pugh
- D295,958 S 5/1988 Pugh
- D295,959 S 5/1988 Pugh
- D300,906 S 5/1989 Caldwell
- D302,948 S 8/1989 Blum
- D304,907 S 12/1989 Tamsen
- D305,204 S 12/1989 Reifein
- 4,911,298 A 3/1990 Miyagawa et al.
- D308,941 S 7/1990 Kong
- D309,262 S 7/1990 Coiner
- D309,753 S 8/1990 Kagelmann-Holtz
- D326,225 S 5/1992 Beckerman
- 5,114,002 A 5/1992 Warner
- D332,347 S 1/1993 Raadt et al.
- D332,744 S 1/1993 McCooley
- D333,781 S 3/1993 Kobel
- D335,820 S 5/1993 Detert

(Continued)

Primary Examiner — Rhea Shields

(74) *Attorney, Agent, or Firm* — Ward and Smith, P.A.;
Ryan K. Simmons

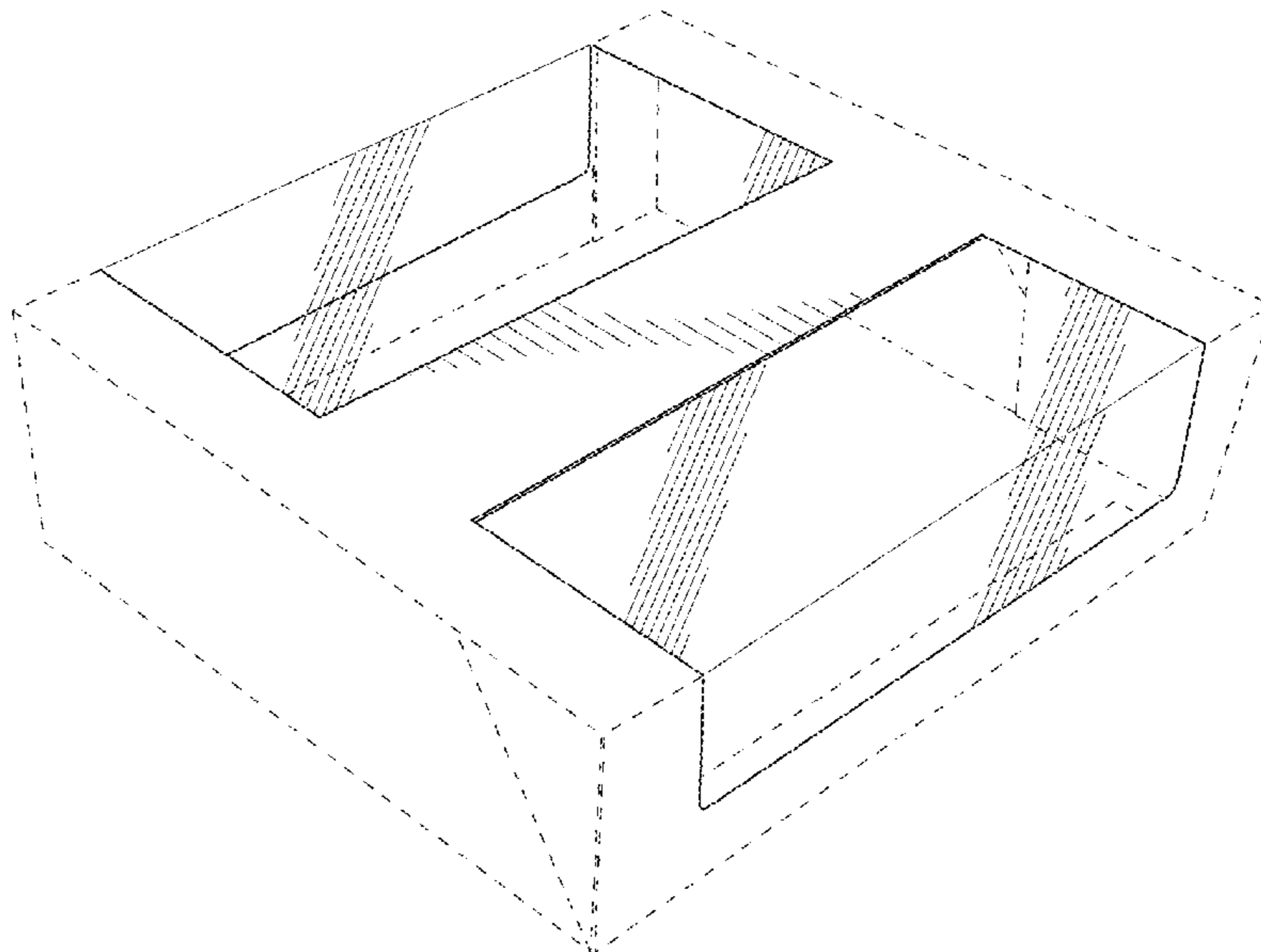
(57) **CLAIM**

The ornamental design for a closeable container, as shown and described.

DESCRIPTION

FIG. 1 is a perspective view of a closeable container showing a new design; and, FIG. 2 is another perspective view of the closeable container of FIG. 1 showing an alternate configuration. In the drawings, the broken lines are for the purpose of illustrating portions of the closeable container that form no part of the claimed design.

1 Claim, 2 Drawing Sheets



(56)

References Cited

U.S. PATENT DOCUMENTS

D337,047 S	7/1993	Pearce	
D351,554 S	10/1994	Kim	
D362,405 S	9/1995	Dallimore	
D365,755 S	1/1996	Kanfer et al.	
5,505,372 A	4/1996	Edson et al.	
D371,070 S	6/1996	Brier	
D371,959 S	7/1996	Hupp	
D372,401 S	8/1996	Lillelund et al.	
D378,126 S	2/1997	Williams	
D380,964 S	7/1997	Miller	
D383,669 S	9/1997	Taylor	
D386,079 S	11/1997	Harper	
D378,979 S	12/1997	Dolan	
D389,739 S	1/1998	Auclair	
D401,147 S	11/1998	Miller	
D403,576 S	1/1999	Weiss	
D406,754 S	3/1999	Tanabe	
D415,960 S	11/1999	Majdanski et al.	
5,992,733 A	11/1999	Gomes	
D425,702 S *	5/2000	Baich	D10/64
D429,635 S *	8/2000	Ito	D9/415
D429,642 S	8/2000	Kumakura	
D430,017 S *	8/2000	Ito	D9/415
D430,396 S	9/2000	Biesecker	
D433,260 S	11/2000	Shimbo	
D440,491 S	4/2001	Stacy-Ryan	
D442,859 S	5/2001	Hirschey	
6,227,367 B1	5/2001	Harrelson et al.	
D443,204 S	6/2001	Garrant	
D464,878 S	10/2002	Thompson	
D469,349 S	1/2003	Meeker et al.	
D469,692 S	2/2003	Meeker et al.	
D485,172 S	1/2004	Defino, Jr.	
D518,371 S	4/2006	Franic	
D519,366 S	4/2006	Epstein	
D527,629 S	9/2006	Franic	
D536,245 S	2/2007	Bruun	
D536,612 S	2/2007	Geurts et al.	
D540,164 S	4/2007	Franic	
D556,599 S	12/2007	Keener	
D570,683 S	6/2008	Kortsmit et al.	
D578,883 S	10/2008	Kisch	
D580,751 S	11/2008	Blick	
7,444,956 B2 *	11/2008	Vadis	A01K 67/033 119/6.5
D582,791 S	12/2008	Elmerhaus	
D587,998 S	3/2009	Kaisanlahti et al.	
D593,211 S	5/2009	Dewitt	
D595,104 S	6/2009	Goodrich	
D596,027 S	7/2009	Kalberer	
D601,016 S	9/2009	Kalberer	
D602,353 S	10/2009	Anderson et al.	
D605,506 S	12/2009	Franic	
D607,987 S	1/2010	Paxton et al.	
D616,739 S	6/2010	Kalberer	
D617,636 S	6/2010	Vanhoutte	
D618,543 S	6/2010	Polaski et al.	
7,780,004 B2	8/2010	Carlozzi et al.	
D623,939 S	9/2010	Tearle	
D624,405 S	9/2010	Franic	
D626,831 S	11/2010	Nicholas	
D629,294 S	12/2010	Chinnis	
D629,295 S	12/2010	Franic	
D636,662 S	4/2011	Ignacio et al.	
D637,078 S	5/2011	Peng	
D637,488 S	5/2011	Franic	
D638,702 S	5/2011	Lowery et al.	
D644,099 S	8/2011	Martinez	
D644,508 S	9/2011	Martinez	
D646,964 S	10/2011	Ampadu et al.	
D647,398 S	10/2011	Winkler	
D649,067 S	11/2011	Birdwell et al.	
D649,451 S	11/2011	Franic	
D649,886 S	12/2011	Ocampo	
D651,074 S	12/2011	Lacey	
D655,153 S	3/2012	Mitten et al.	
D668,540 S	10/2012	Lutzig	
D675,092 S	1/2013	Sill	
8,356,743 B2	1/2013	Spivey, Sr.	
D675,920 S	2/2013	Sill	
8,376,214 B2	2/2013	Spivey, Sr. et al.	
D678,779 S	3/2013	Lee	
D679,950 S	4/2013	Cooper	
D681,444 S	5/2013	Oja et al.	
D685,633 S	7/2013	Thomas	
D688,568 S	8/2013	Noel	
D693,215 S	11/2013	Sill	
D693,216 S	11/2013	Sill	
D693,217 S	11/2013	Sill	
D693,218 S	11/2013	Sill	
D695,104 S	12/2013	Sill	
D696,725 S	12/2013	Sasken-Duff et al.	
8,607,987 B2	12/2013	Oja et al.	
D699,103 S	2/2014	Rathbone et al.	
D706,132 S	6/2014	Sill	
D708,511 S	7/2014	Green	
D710,713 S	8/2014	Fath	
D712,275 S	9/2014	Irek	
D713,716 S	9/2014	Oja et al.	
D716,649 S	11/2014	McAdam	
D717,162 S	11/2014	Baker	
D717,163 S	11/2014	Paulsen	
D717,645 S	11/2014	Wilmers	
D719,440 S	12/2014	Matloff	
D719,845 S	12/2014	Lee	
D722,869 S	2/2015	Himmelsbach et al.	
D726,004 S	4/2015	Chiang	
D727,732 S	4/2015	Petty	
D728,357 S	5/2015	Pierce, Jr. et al.	
D729,055 S	5/2015	Lemnios et al.	
D729,058 S	5/2015	Ishikawa	
D734,145 S	7/2015	Fath et al.	
D739,228 S	9/2015	Jondal et al.	
D740,654 S	10/2015	Boehnen et al.	
D743,248 S	11/2015	Fath et al.	
D746,673 S	1/2016	Sanfilippo et al.	
D746,699 S	1/2016	Fath	
D746,700 S	1/2016	Boehnen et al.	
D753,919 S	4/2016	Parker	
D760,598 S	7/2016	White et al.	
D762,113 S	7/2016	Mayer et al.	
D762,465 S	8/2016	Popper et al.	
D766,108 S	9/2016	Brown et al.	
D774,891 S	12/2016	Mayer et al.	
D774,893 S	12/2016	Mayer et al.	
D774,895 S	12/2016	Mayer et al.	
D774,896 S	12/2016	Mayer et al.	
D774,897 S *	12/2016	Mayer	D9/418
D774,898 S *	12/2016	Mayer	D9/418
D776,522 S	1/2017	Mayer et al.	
D784,164 S	4/2017	Toth	
D786,663 S	5/2017	Mayer et al.	
D787,313 S	5/2017	Mayer et al.	
D787,314 S	5/2017	Sill et al.	
D787,315 S	5/2017	Sill et al.	
D787,316 S	5/2017	Sill et al.	
D787,929 S *	5/2017	Sill	D9/418
D787,933 S *	5/2017	Sill	D9/418
D789,783 S	6/2017	DeBusk	
D795,696 S	8/2017	Pitera et al.	
D799,317 S	10/2017	Sill et al.	
D799,955 S	10/2017	Sill et al.	
D800,546 S	10/2017	Sill et al.	
D800,547 S	10/2017	Sill et al.	
D800,548 S	10/2017	Sill et al.	
D804,298 S	12/2017	Demmink	
D809,917 S	2/2018	Wieser	
D816,479 S *	5/2018	Sill	D9/418
D816,480 S	5/2018	Sill et al.	
D816,481 S *	5/2018	Sill	D9/418
D820,688 S	6/2018	Fath	
D822,283 S	7/2018	Gaito	
D822,480 S	7/2018	Rivera	
D829,095 S	9/2018	McKenna et al.	

(56)

References Cited

U.S. PATENT DOCUMENTS

D839,725 S 2/2019 Ralston et al.
 D840,219 S 2/2019 McKenna et al.
 D840,807 S 2/2019 Ross
 D842,098 S 3/2019 Ross
 D844,430 S 4/2019 Dammers et al.
 D846,378 S 4/2019 Sill et al.
 D846,379 S 4/2019 Sill et al.
 D846,981 S 4/2019 Sill et al.
 D846,982 S 4/2019 Horne
 D847,454 S 4/2019 Mathia
 D847,626 S 5/2019 Sill et al.
 D852,032 S 6/2019 Horne
 D854,925 S 7/2019 Fath
 D856,131 S 8/2019 Hon
 D856,794 S 8/2019 Sill et al.
 D856,795 S 8/2019 Sill et al.
 D856,796 S 8/2019 Sill et al.
 D856,797 S 8/2019 Sill et al.
 D865,517 S 11/2019 Gressel et al.
 D866,314 S 11/2019 Marotti
 D867,125 S 11/2019 Sill et al.
 D879,603 S 3/2020 Sill et al.
 D879,604 S * 3/2020 Sill D9/418
 D879,606 S * 3/2020 Sill D9/432
 D880,999 S * 4/2020 Sill D9/418

D881,000 S 4/2020 Sill
 D881,001 S 4/2020 Sill
 D881,002 S 4/2020 Sill
 D904,870 S * 12/2020 Sill D9/418
 D904,871 S * 12/2020 Sill D9/418
 D904,873 S * 12/2020 Sill D9/418
 D962,761 S * 9/2022 Sill D9/432
 2009/0236351 A1 * 9/2009 Chu B65D 25/22
 53/484
 2010/0059579 A1 3/2010 House
 2013/0220873 A1 8/2013 Holley, Jr.
 2014/0103100 A1 4/2014 Falcon et al.
 2015/0344216 A1 12/2015 Petty et al.
 2016/0009442 A1 1/2016 Block et al.
 2016/0362220 A1 12/2016 Kearns
 2017/0066586 A1 3/2017 Petty et al.
 2018/0009585 A1 1/2018 Ramsuer et al.
 2018/0022500 A1 1/2018 Zhu
 2018/0118403 A1 5/2018 Petty et al.
 2018/0127141 A1 5/2018 Brundage et al.
 2018/0141734 A1 5/2018 Kooc et al.
 2018/0297761 A1 10/2018 Alexander et al.
 2018/0319560 A1 11/2018 Blin et al.
 2019/0009946 A1 1/2019 Nixon et al.
 2019/0016501 A1 1/2019 Djokovic et al.
 2019/0144157 A1 * 5/2019 Sill B65D 71/125
 206/459.1

* cited by examiner

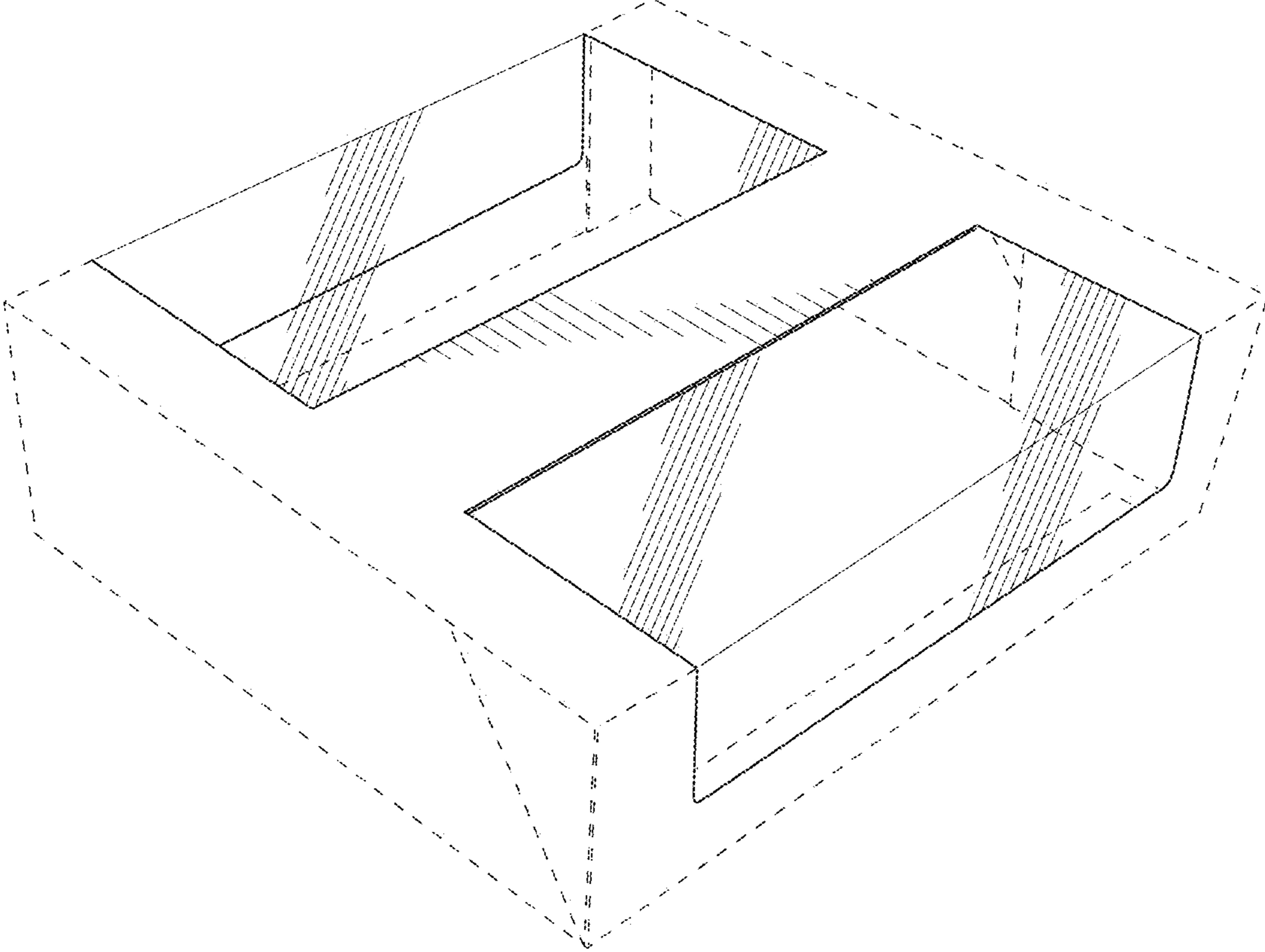


FIG. 1

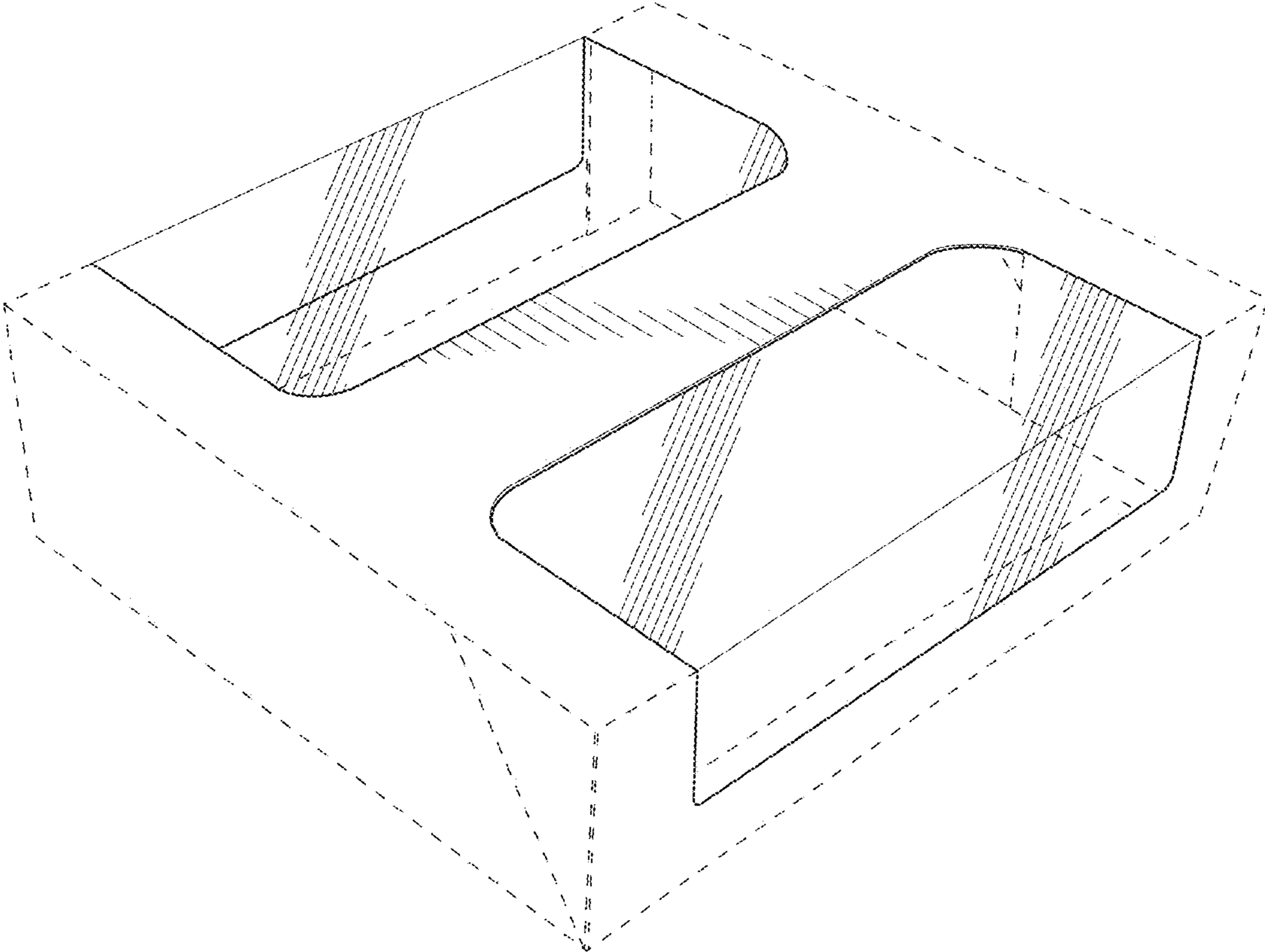


FIG. 2