



US00D976103S

(12) **United States Design Patent**  
**Zhang**

(10) **Patent No.:** **US D976,103 S**

(45) **Date of Patent:** **\*\* Jan. 24, 2023**

(54) **FOOD CONTAINER**

(71) Applicant: **Banyan International LLC**,  
Farmingdale, NY (US)

(72) Inventor: **LiHua Zhang**, Jiaxing (CN)

(73) Assignee: **Banyan International LLC**,  
Farmingdale, NY (US)

(\*\*) Term: **15 Years**

(21) Appl. No.: **29/744,071**

(22) Filed: **Jul. 27, 2020**

(51) **LOC (14) Cl.** ..... **09-03**

(52) **U.S. Cl.**  
USPC ..... **D9/428; D7/602**

(58) **Field of Classification Search**  
USPC ..... D9/414, 422, 423, 425, 428, 429, 420,  
D9/424-426, 431, 434, 435, 454, 500,  
D9/503; D7/601, 602, 629, 354, 500,  
D7/511, 538, 542, 550.1, 553.4-553.6,  
D7/554.2, 584, 586, 603, 605, 608-612,  
D7/630, 708

CPC ..... B65D 55/06; B65D 21/00; B65D 77/20  
See application file for complete search history.

(56) **References Cited**

**U.S. PATENT DOCUMENTS**

D78,080 S *	3/1929	Bernardaud	.....	D7/542
D216,271 S *	12/1969	Swett	.....	D7/610
D288,891 S *	3/1987	Saito	.....	D7/391
D371,938 S *	7/1996	Davis	.....	D7/354
D417,149 S *	11/1999	Fletcher	.....	D9/425
D468,965 S *	1/2003	Fino	.....	D7/505
D471,100 S *	3/2003	Guzowski	.....	D9/425
D475,573 S *	6/2003	Jalet	.....	D7/392.1
D475,621 S *	6/2003	Buchalski	.....	D9/428
D475,897 S *	6/2003	Zettle	.....	D7/629
D476,861 S *	7/2003	Zettle	.....	D7/629

D478,474 S *	8/2003	Zettle	.....	D7/545
D491,455 S *	6/2004	Li	.....	D9/425
D505,596 S *	5/2005	Tucker	.....	D7/629

(Continued)

**OTHER PUBLICATIONS**

Performance Container Manufacturers, Inc. Bowls. Published May 14, 2021, dated via Chrome Developer Tools. Visited Aug. 31, 2022. <https://www.performancecontainer.com/shop/bowls/> (Year: 2021).\*

(Continued)

*Primary Examiner* — Darcey E Gottschalk

*Assistant Examiner* — Vanessa M. Pursley

(74) *Attorney, Agent, or Firm* — Bodner & O'Rourke, LLP; Gerald T. Bodner; Christian P. Bodner

(57) **CLAIM**

The ornamental design for a food container, as shown and described.

**DESCRIPTION**

FIG. 1 is an exploded, top front perspective view of a food container showing my new design;

FIG. 2 is an exploded, bottom rear perspective view thereof;

FIG. 3 is an exploded, top plan view thereof;

FIG. 4 is an exploded, bottom plan view thereof;

FIG. 5 is an exploded, left elevational view thereof;

FIG. 6 is an exploded, right elevational view thereof;

FIG. 7 is an exploded, front elevational view thereof;

FIG. 8 is an exploded, rear elevational view thereof;

FIG. 9 is a top front perspective view thereof;

FIG. 10 is a bottom rear perspective view thereof;

FIG. 11 is a top plan view thereof;

FIG. 12 is a bottom plan view thereof;

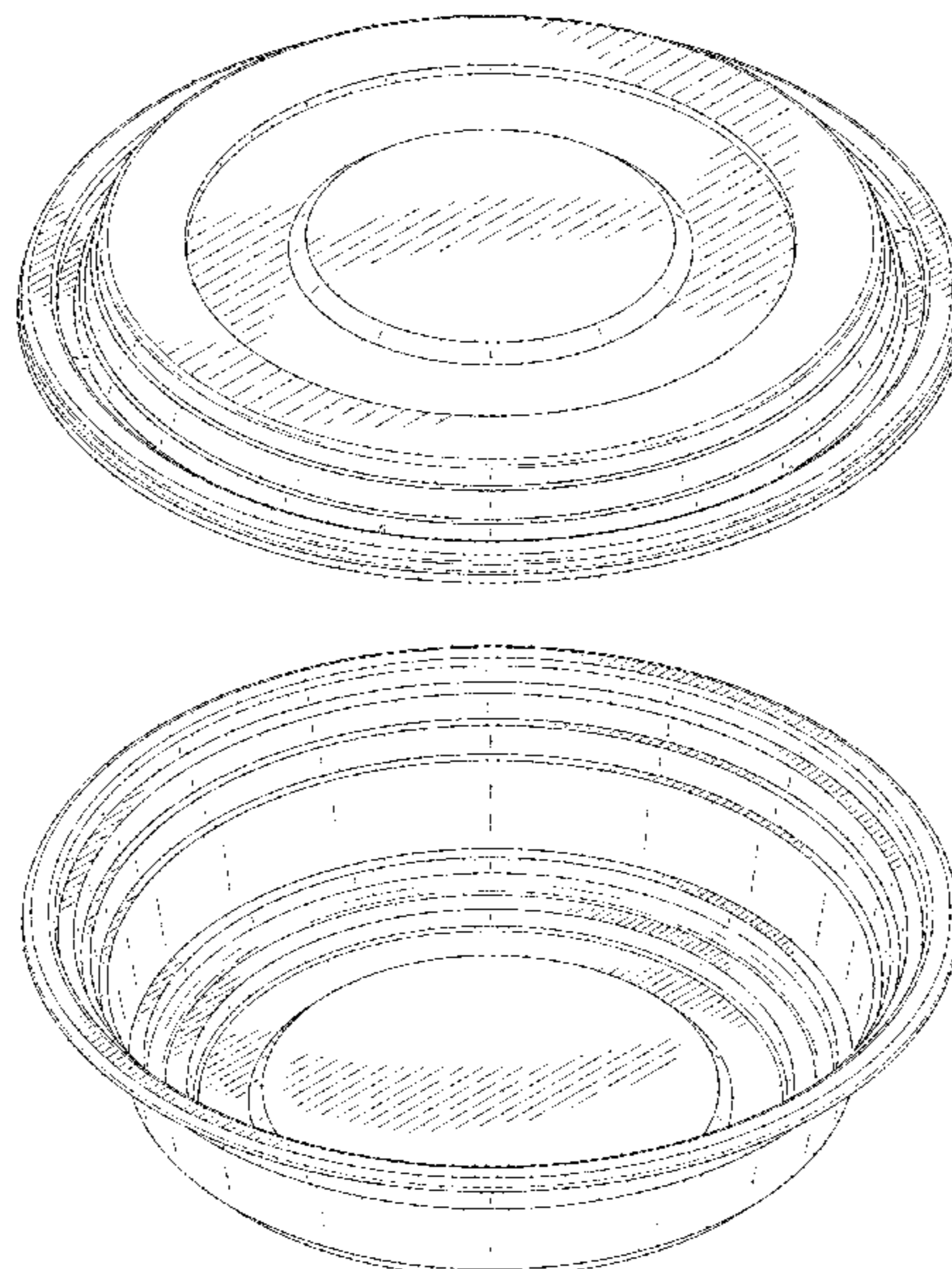
FIG. 13 is a left elevational view thereof;

FIG. 14 is a right elevational view thereof;

FIG. 15 is a front elevational view thereof; and,

FIG. 16 is a rear elevational view thereof.

**1 Claim, 9 Drawing Sheets**



(56)

References Cited

U.S. PATENT DOCUMENTS

D510,295 S \* 10/2005 Lehman ..... D11/152  
 D522,809 S \* 6/2006 Kusuma ..... B65D 21/086  
 D9/429  
 D551,509 S \* 9/2007 Sarnoff ..... D7/554.2  
 D555,982 S \* 11/2007 Tucker ..... D7/629  
 D555,983 S \* 11/2007 Tucker ..... D7/629  
 D566,483 S \* 4/2008 Tucker ..... D7/629  
 D575,114 S \* 8/2008 Moghavem ..... D7/629  
 D591,590 S \* 5/2009 Wilson ..... D9/428  
 D594,324 S \* 6/2009 Colacitti ..... D7/354  
 D594,326 S \* 6/2009 Colacitti ..... D7/354  
 D596,455 S \* 7/2009 Laib ..... D7/392.1  
 D603,655 S \* 11/2009 Lin ..... D7/553.6  
 D606,368 S \* 12/2009 Wu ..... D7/629  
 D629,658 S \* 12/2010 Rusnak ..... D7/629  
 D634,618 S \* 3/2011 Colacitti ..... D7/354  
 D649,448 S \* 11/2011 Wu ..... D9/429  
 D664,033 S \* 7/2012 Liang ..... D9/429  
 D665,663 S \* 8/2012 Krupa ..... D9/425  
 D677,156 S \* 3/2013 Wu ..... D9/429  
 D680,861 S \* 4/2013 Chen ..... D9/429  
 D682,610 S \* 5/2013 Carder ..... D7/392.1  
 D689,334 S \* 9/2013 Krueger ..... D7/538  
 D691,038 S \* 10/2013 Tyberghein ..... D9/425  
 D723,340 S \* 3/2015 Maxwell ..... D7/629  
 D730,727 S \* 6/2015 Chen ..... D9/500  
 D752,978 S \* 4/2016 Zabeleta ..... D9/454  
 D767,387 S \* 9/2016 Wyatt ..... D9/434  
 D773,126 S \* 11/2016 Scaba ..... D30/129  
 D794,444 S \* 8/2017 Chen ..... D9/428  
 D795,058 S \* 8/2017 Buck ..... D9/428  
 D807,746 S \* 1/2018 Fleming ..... D9/434  
 D821,159 S \* 6/2018 Wahl ..... D9/503  
 D825,335 S \* 8/2018 Buck ..... D9/500  
 D835,459 S \* 12/2018 Sedgwick ..... D7/392.1

D835,943 S \* 12/2018 Arseneau ..... D7/586  
 D838,585 S \* 1/2019 Kui ..... D9/428  
 D852,036 S \* 6/2019 Lin ..... D9/425  
 D852,037 S \* 6/2019 Lin ..... D9/425  
 D853,663 S \* 7/2019 Song ..... D30/129  
 D854,381 S \* 7/2019 Yang ..... D7/602  
 D930,468 S \* 9/2021 Chen ..... D9/429  
 D937,634 S \* 12/2021 Bontrager ..... B65D 21/0222  
 D7/584  
 D937,640 S \* 12/2021 Zhen ..... D7/629  
 D950,381 S \* 5/2022 Huang ..... D9/503  
 D951,091 S \* 5/2022 Bontrager ..... D9/454  
 2007/0295631 A1 \* 12/2007 Lin ..... B65D 21/0222  
 206/508  
 2012/0103991 A1 \* 5/2012 Segal ..... B65D 43/0249  
 220/276

OTHER PUBLICATIONS

Costco Business Center. Vital International Solutions Round Container with Lid. Publication date unavailable. Visited Aug. 31, 2022. <https://www.costcobusinessdelivery.com/vital-international-solutions-round-container-with-lid%2c-24-oz%2c-black%2c-150-ct.product.100413056.html> (Year: 0).\*

Amazon. Meal Prep Containers. First available May 11, 2018. Visited Aug. 31, 2022. <https://www.amazon.com/Meal-Prep-Containers-pack-Disposable/dp/B07K6KKWHW/> (Year: 2018).\*

Papermart. 2 Piece Round PET Microwavable Containers. Published Jun. 9, 2022, dated via Chrome Developer Tools. Visited Aug. 31, 2022. <https://www.papermart.com/p/round-pet-microwavable-containers/137825> (Year: 2022).\*

Banyan Food Service. HD RO-32B 32OZ Round Black Plastic Container and Lid. Publication date unavailable. Visited Aug. 31, 2022. <https://www.banyanfoodservice.com/collections/2/products/101-5102> (Year: 0).\*

\* cited by examiner

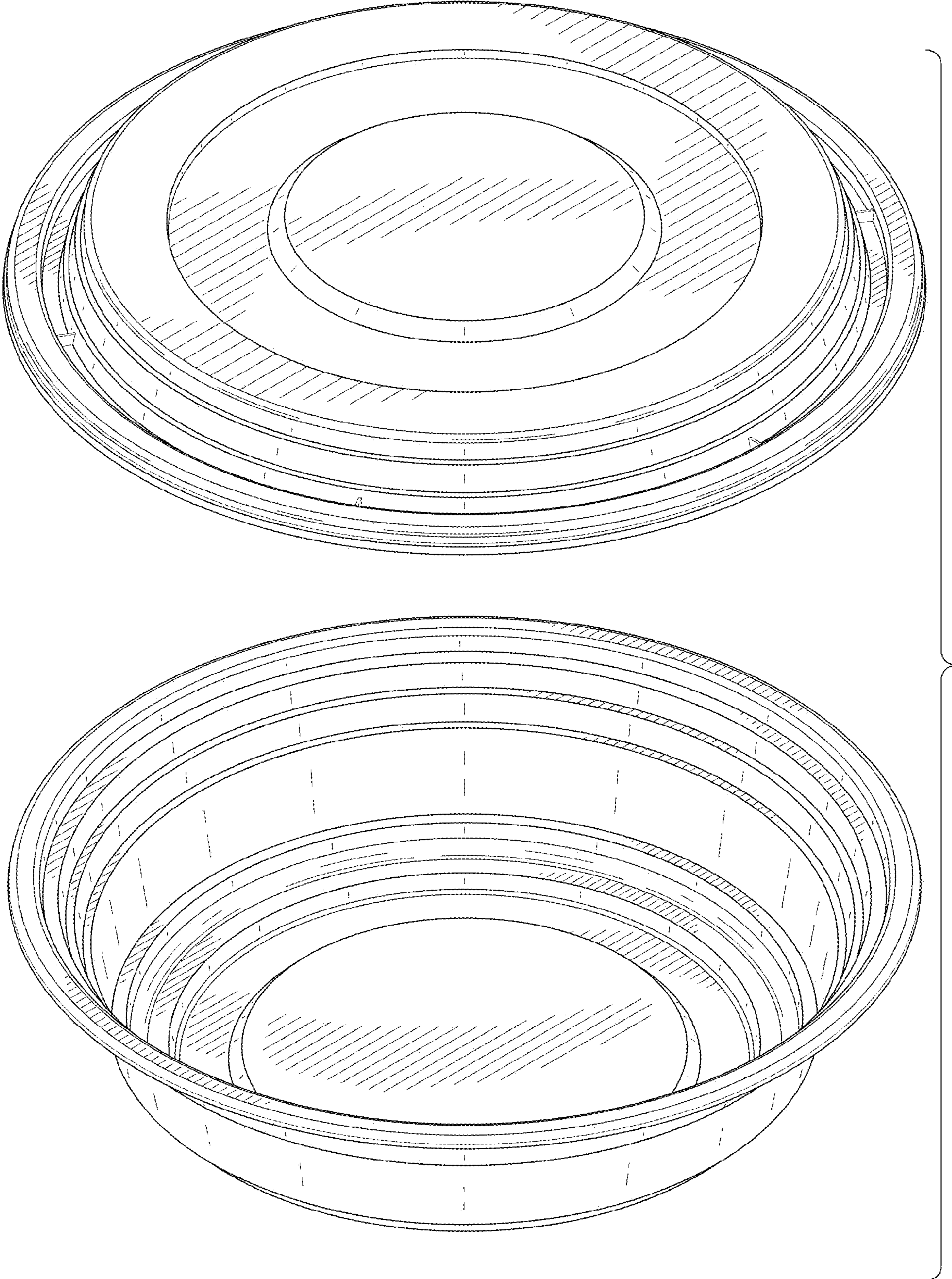


FIG. 1

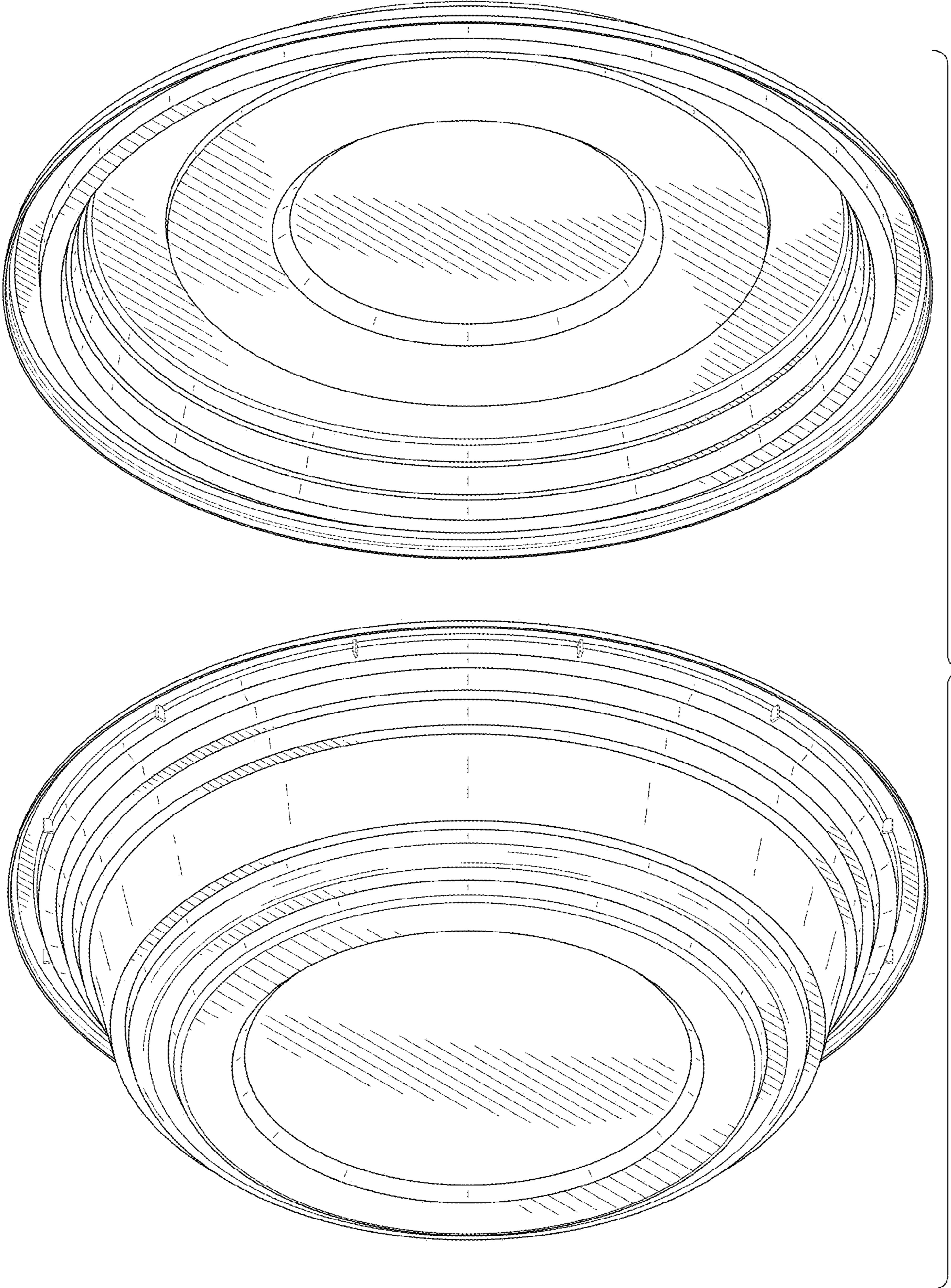


FIG. 2

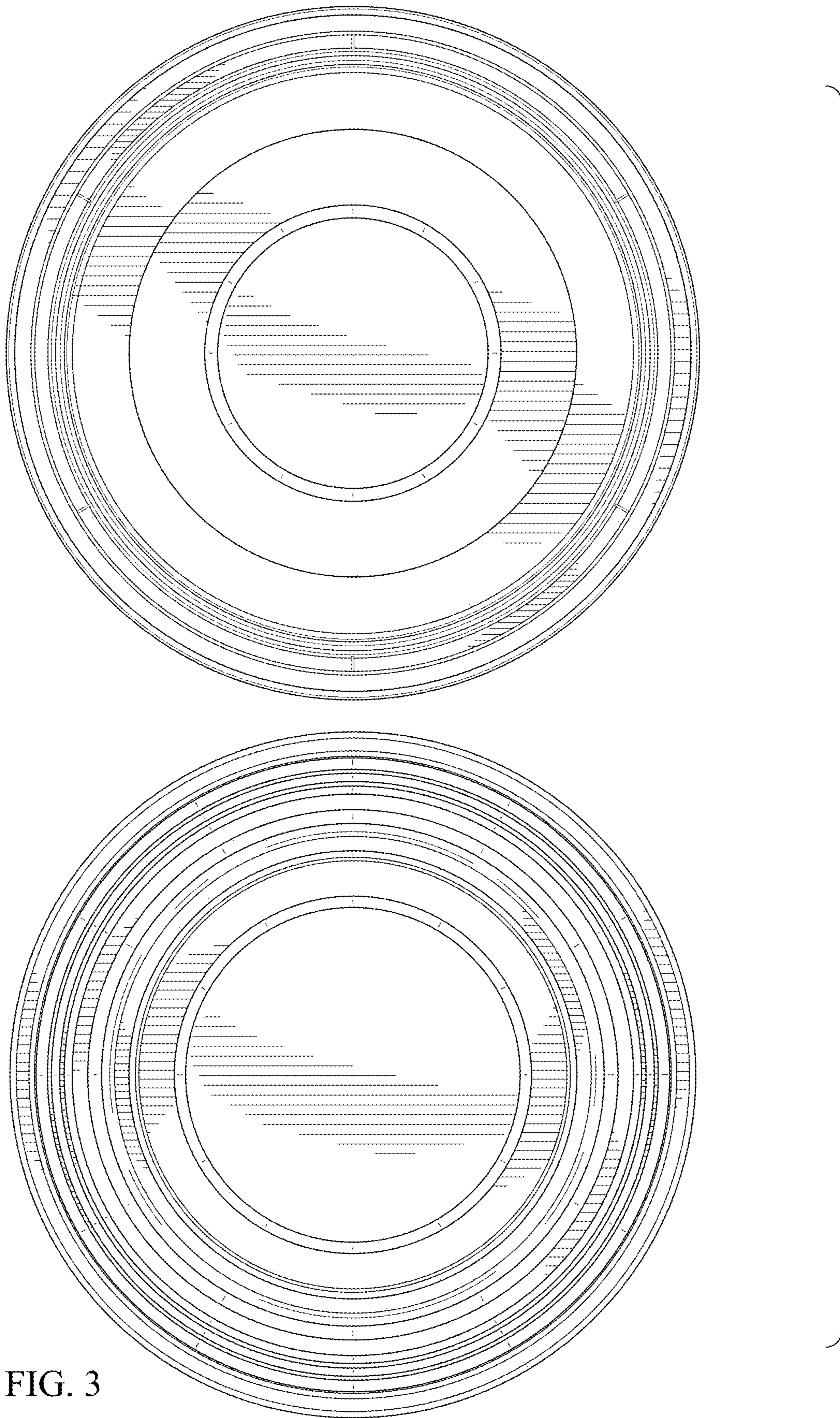


FIG. 3

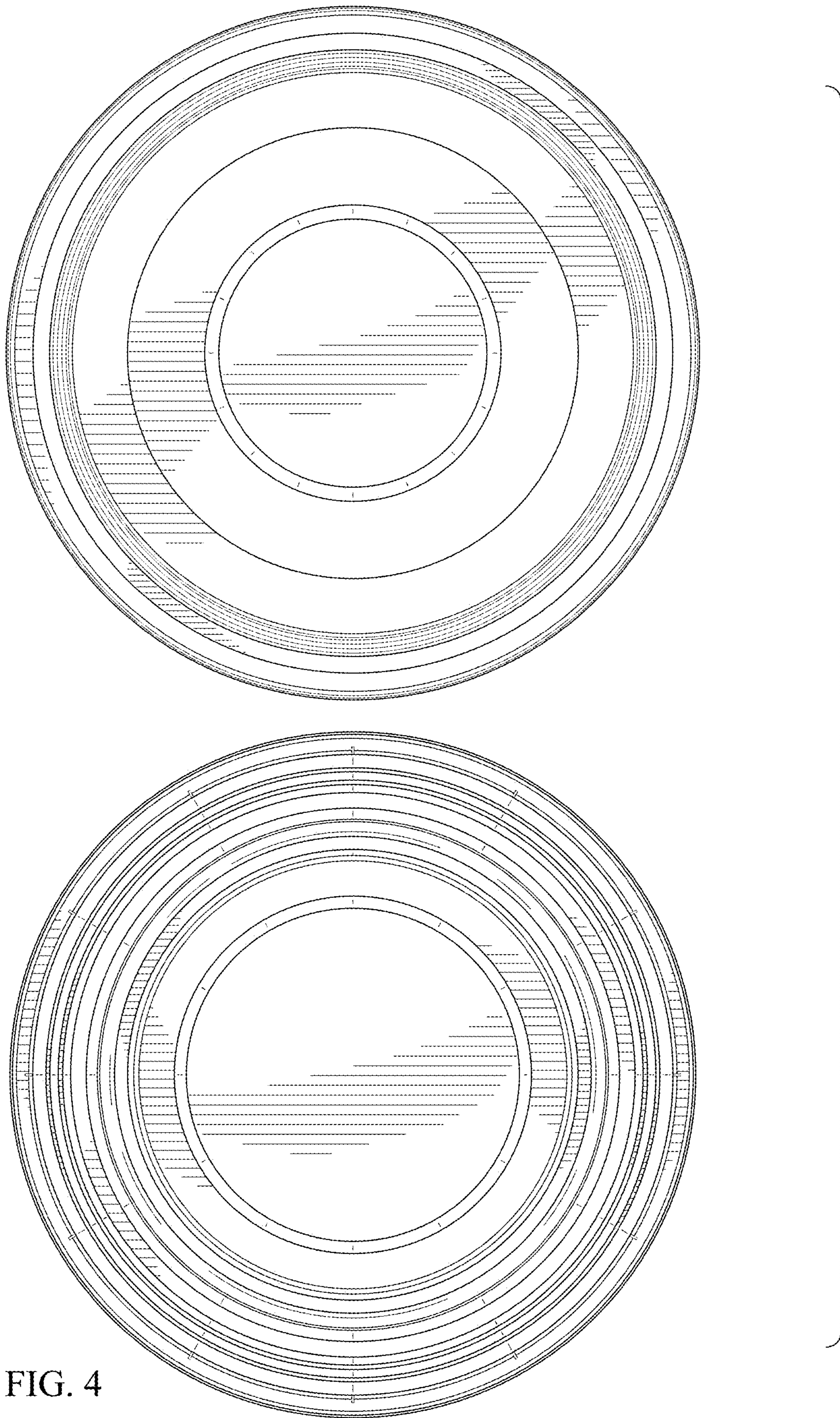


FIG. 4

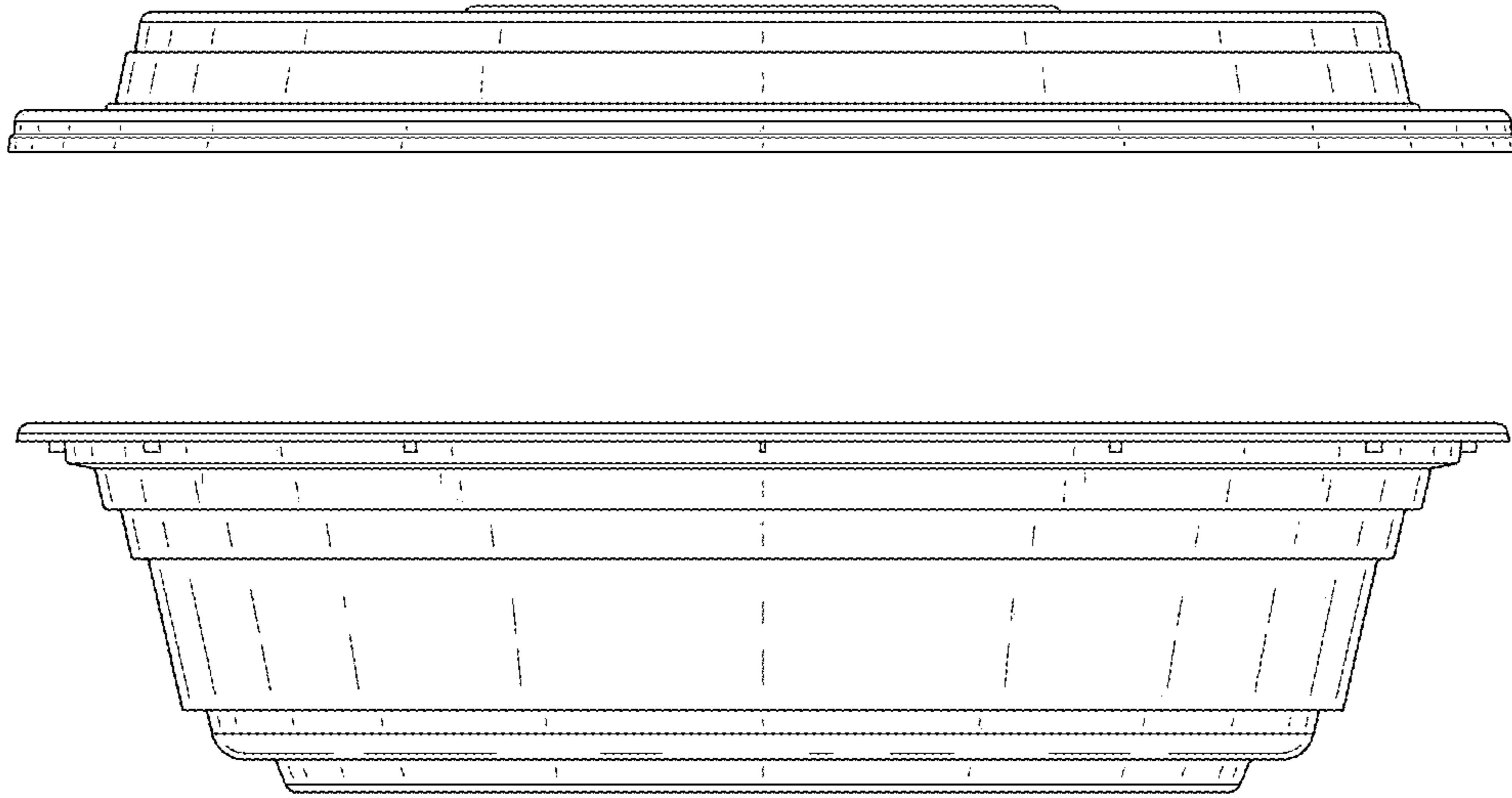


FIG. 5

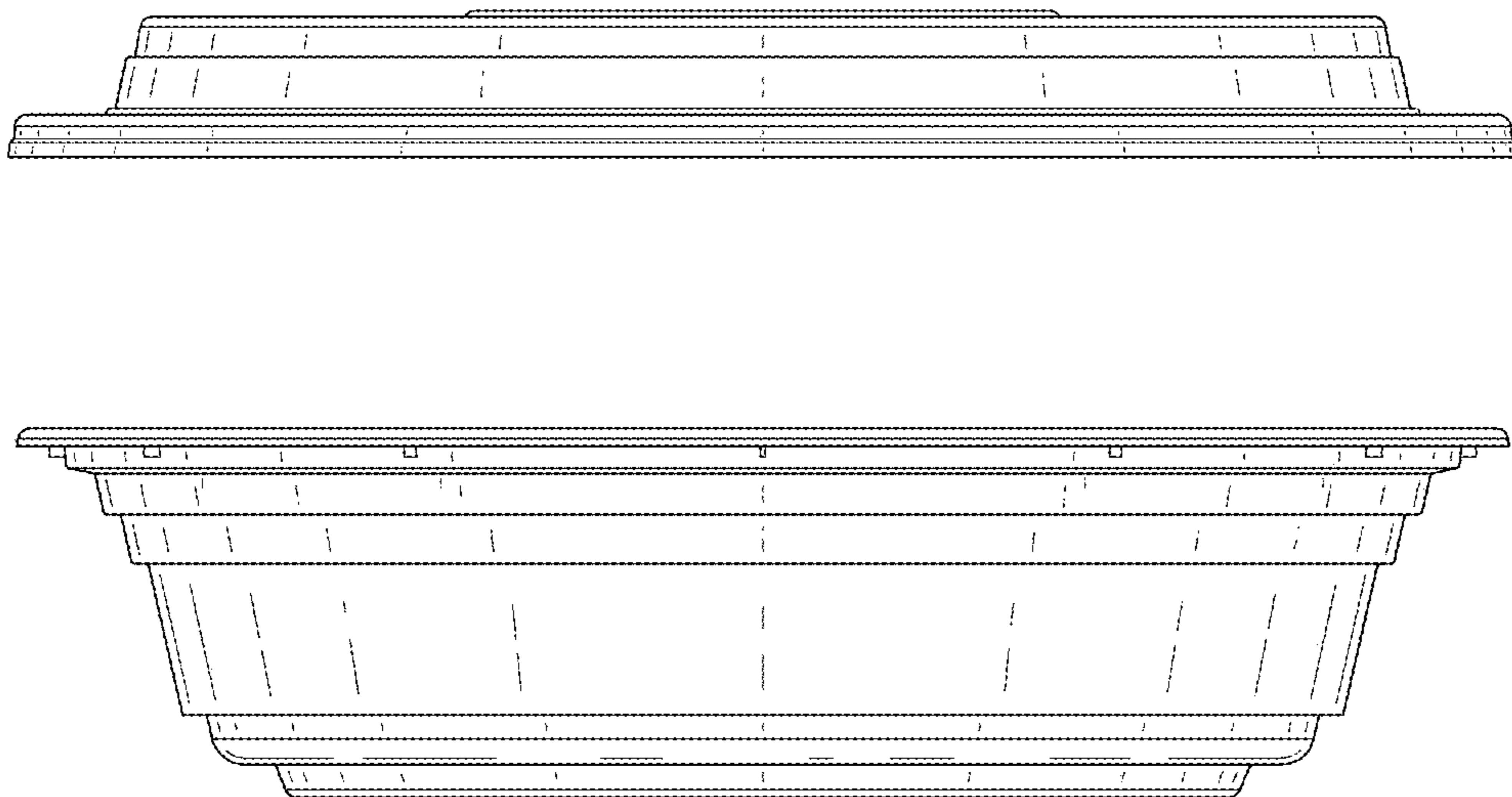


FIG. 6

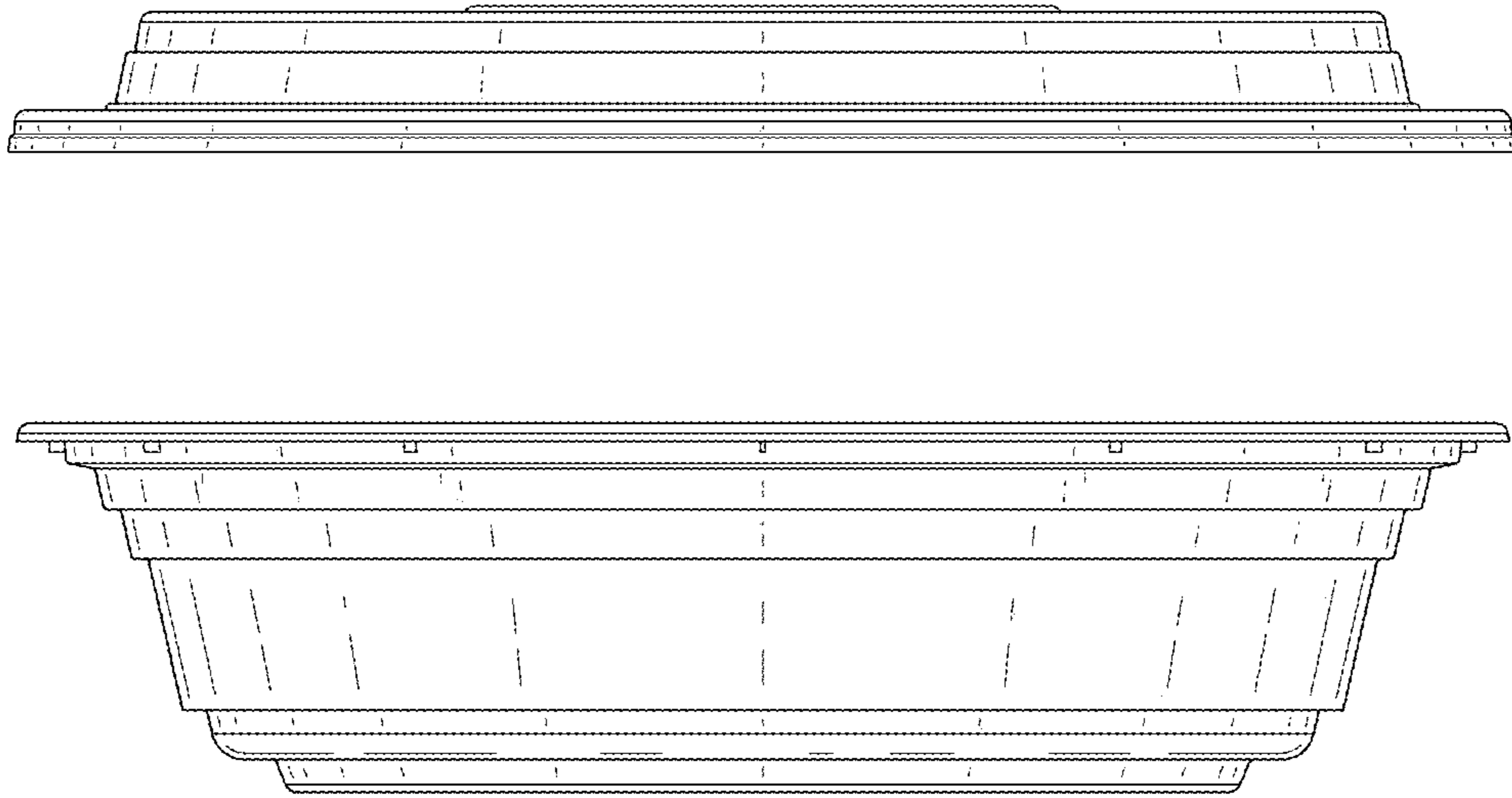


FIG. 7

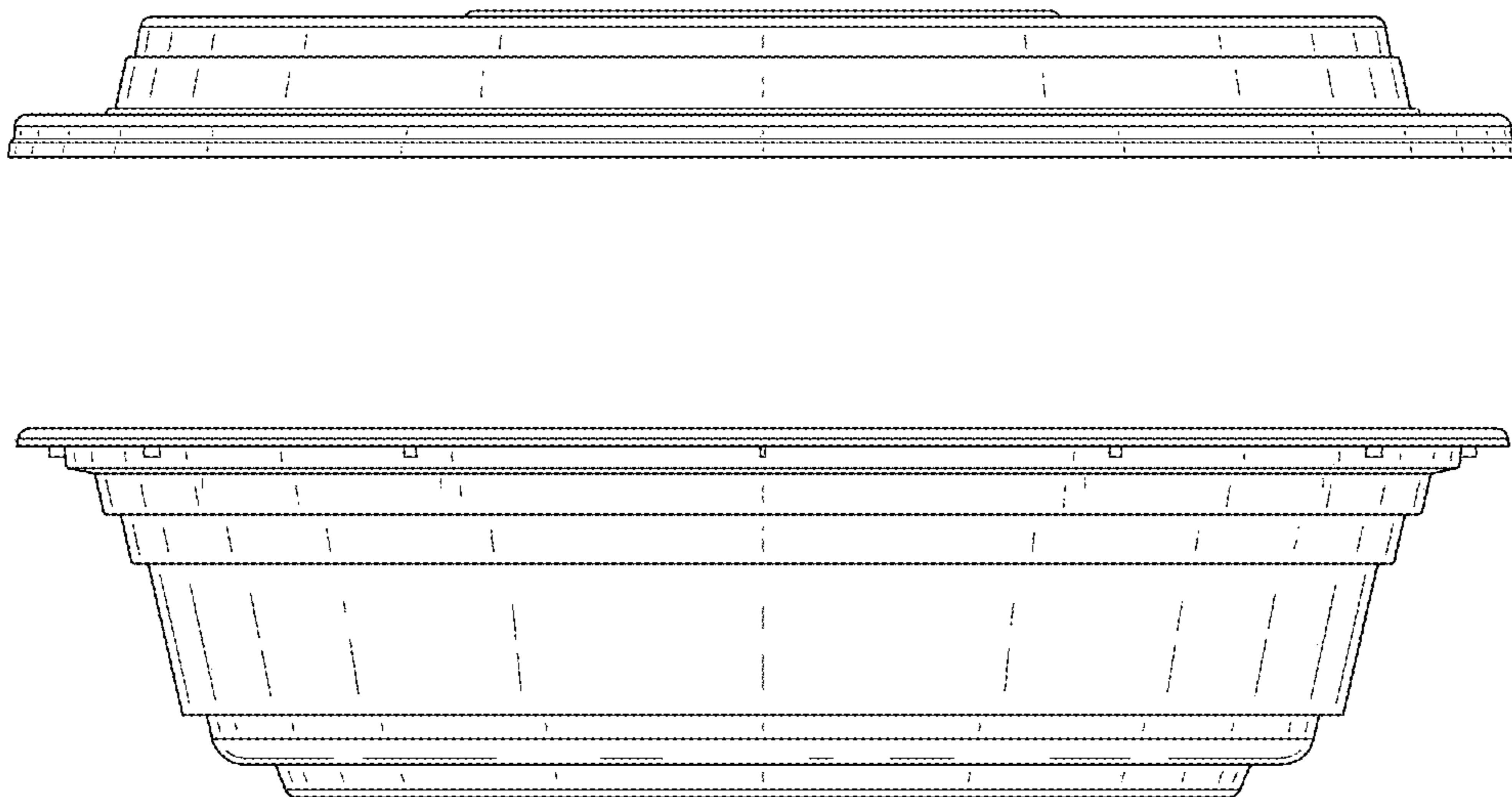


FIG. 8



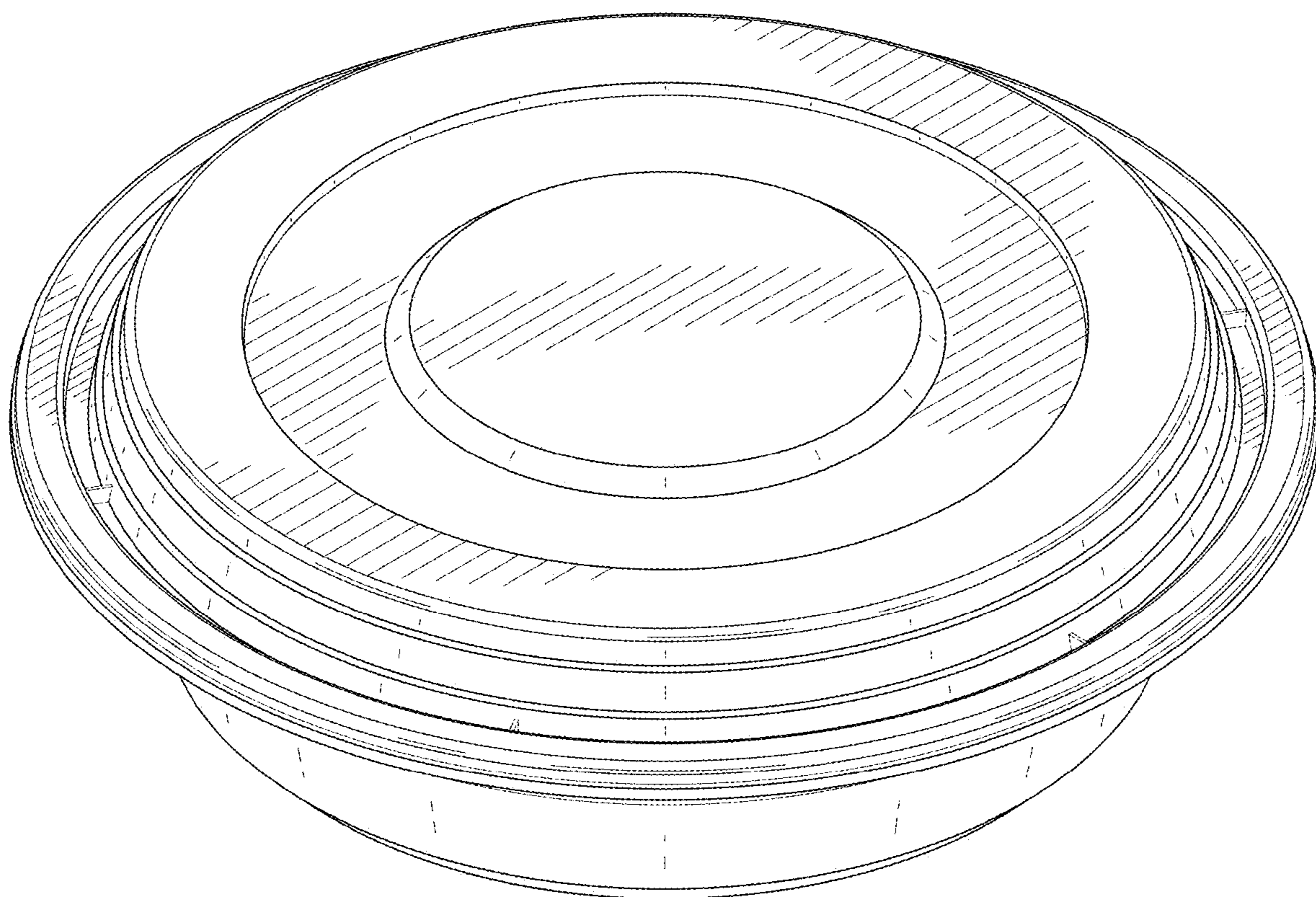


FIG. 9

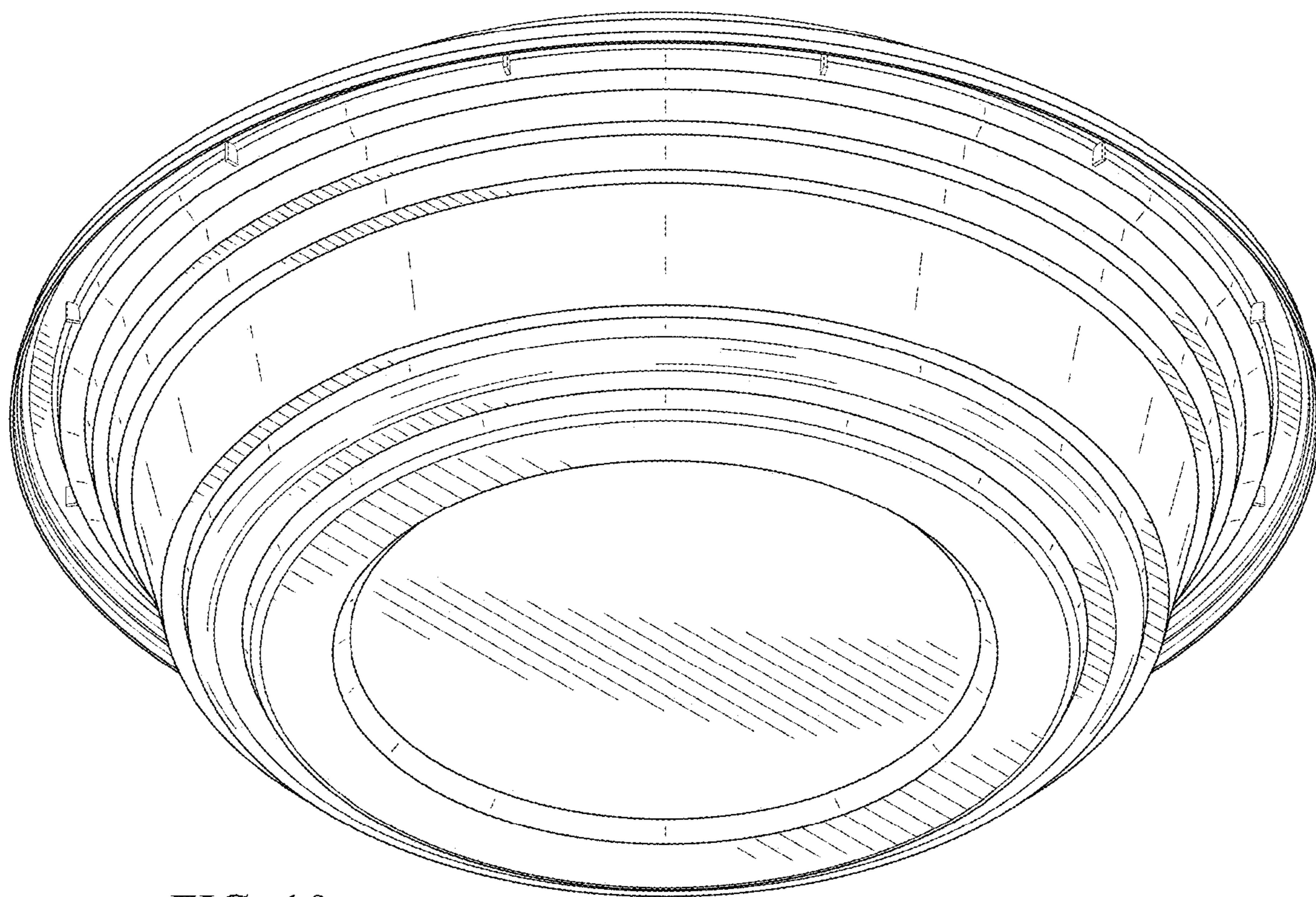


FIG. 10

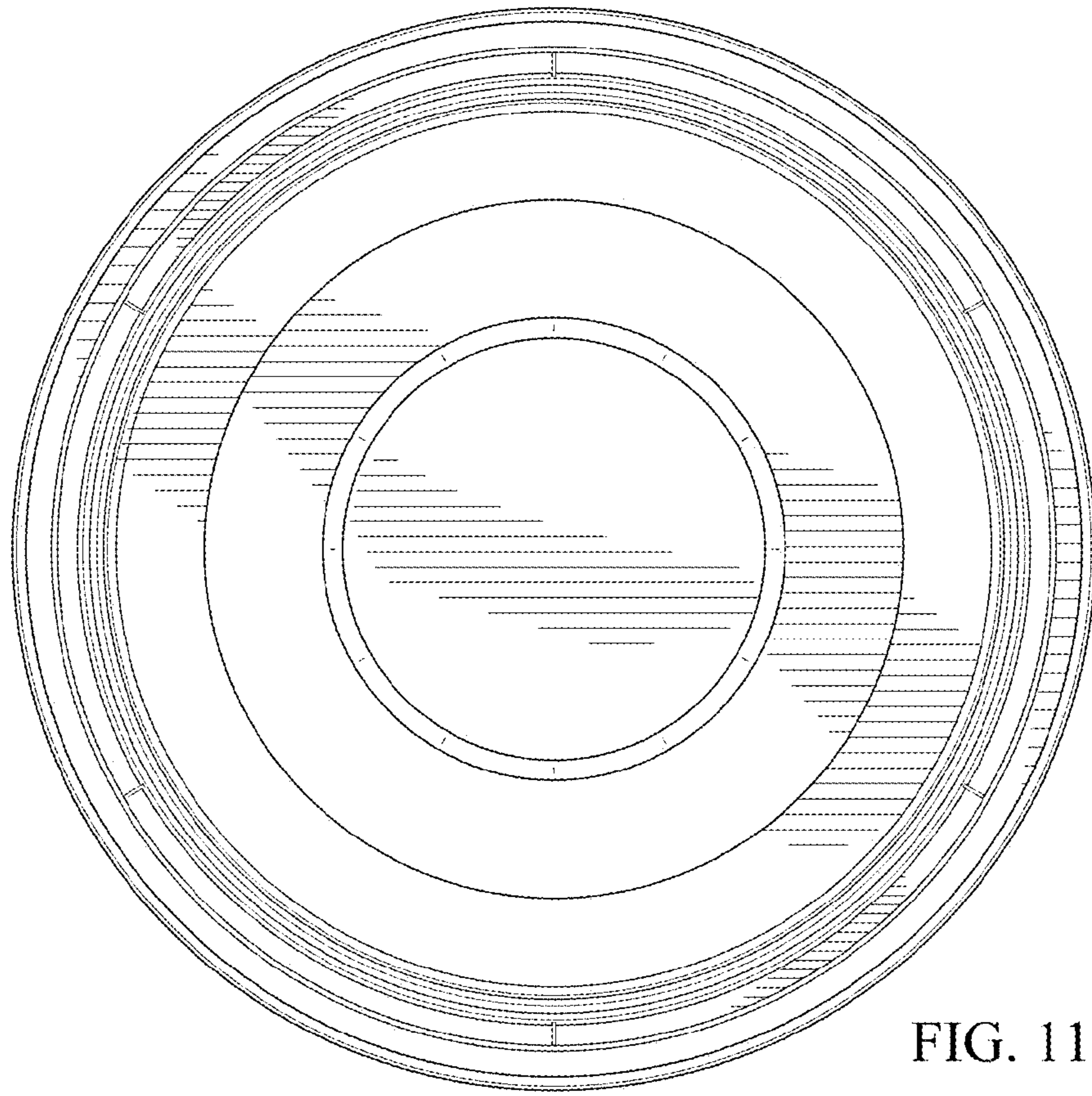


FIG. 11

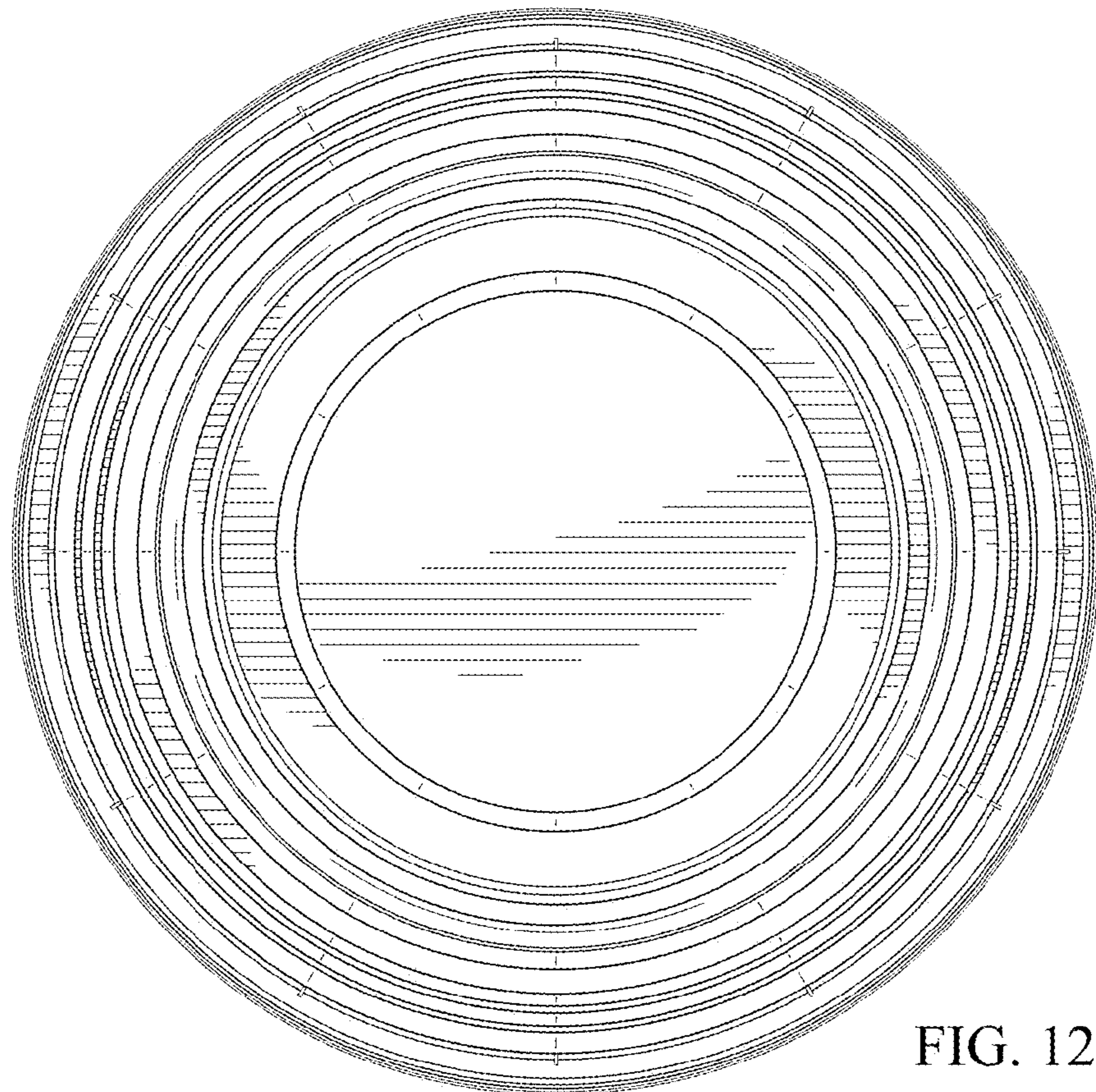


FIG. 12

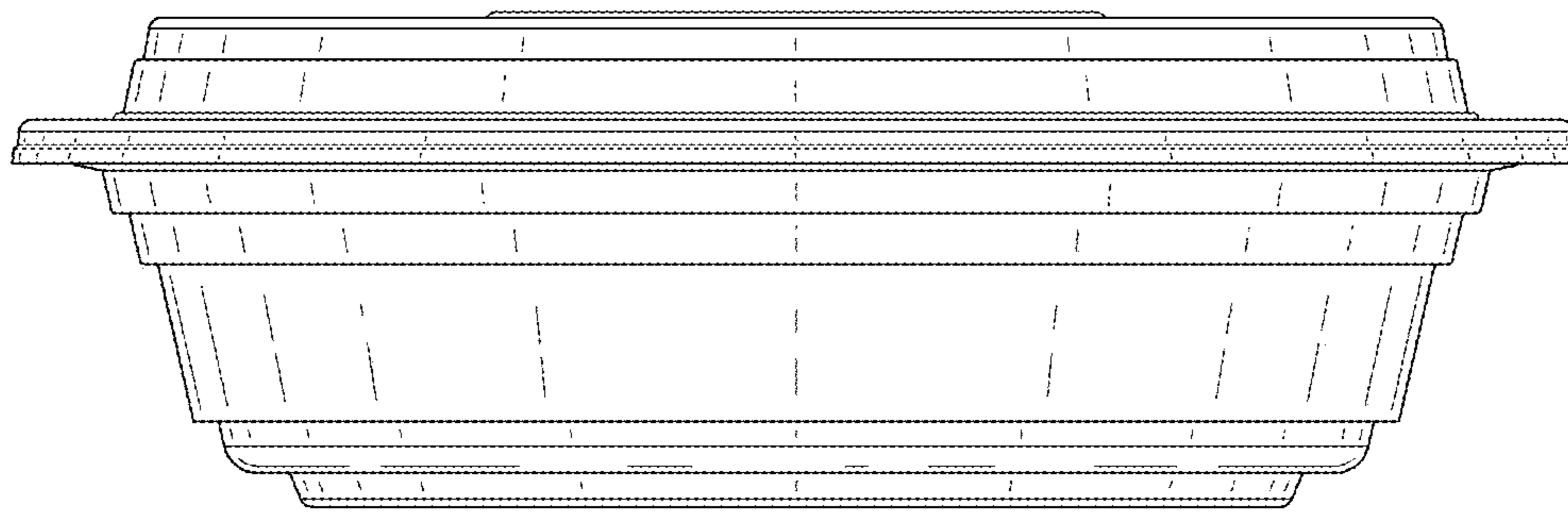


FIG. 13

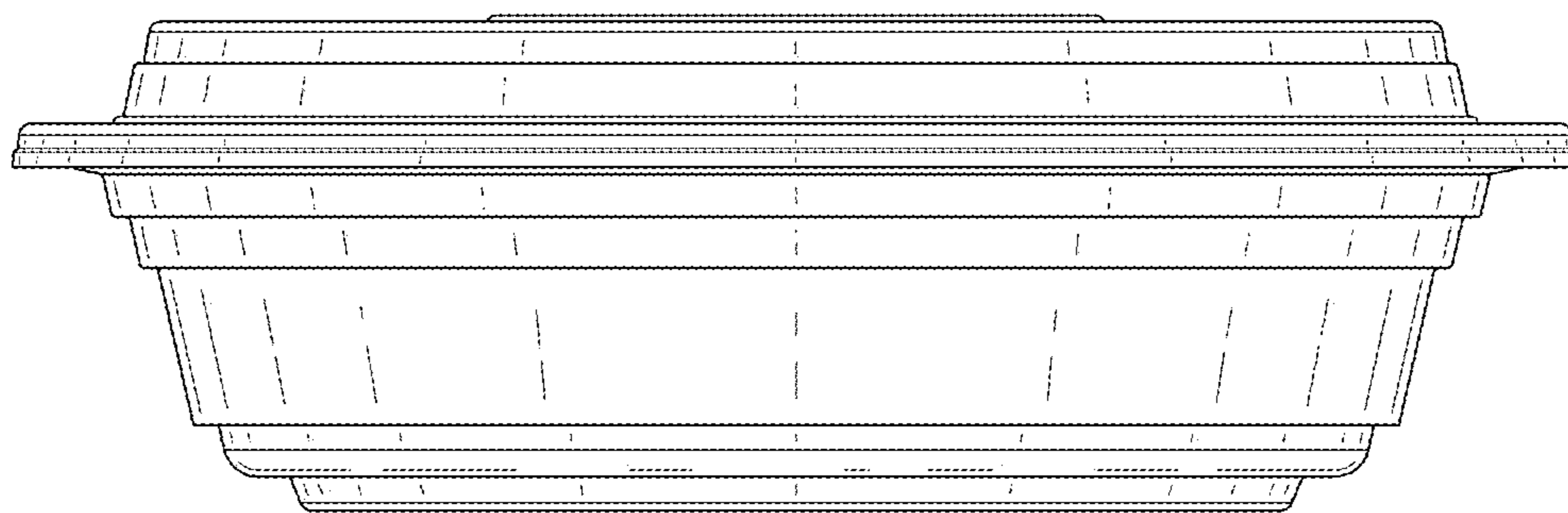


FIG. 14

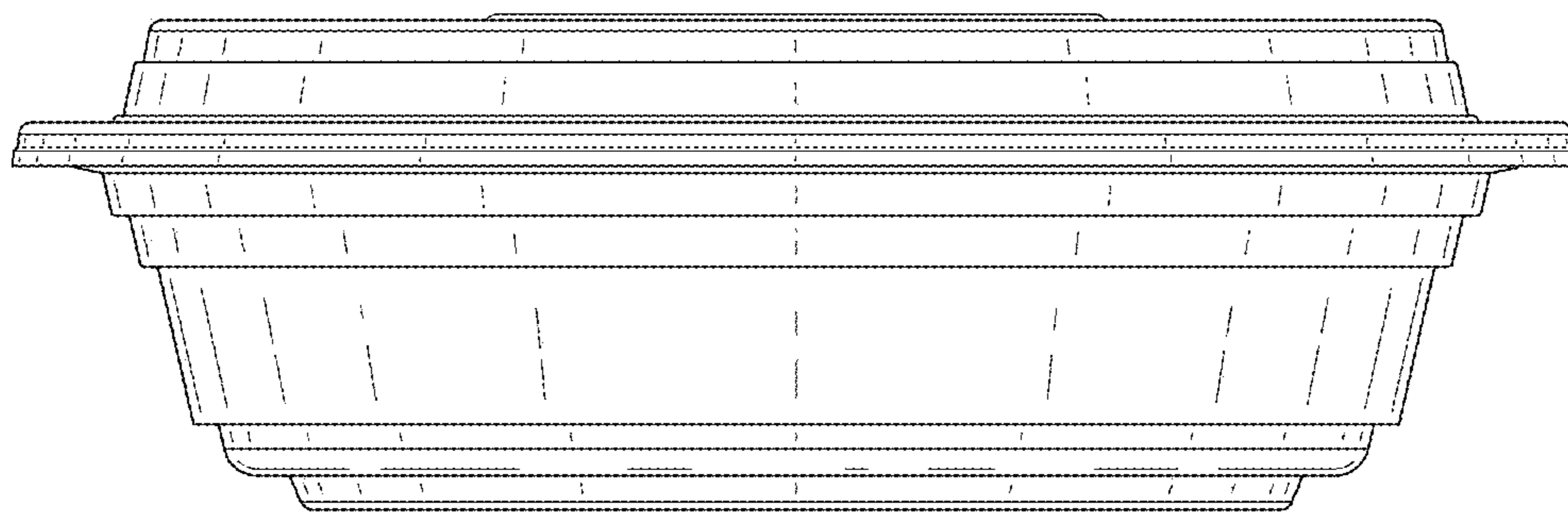


FIG. 15

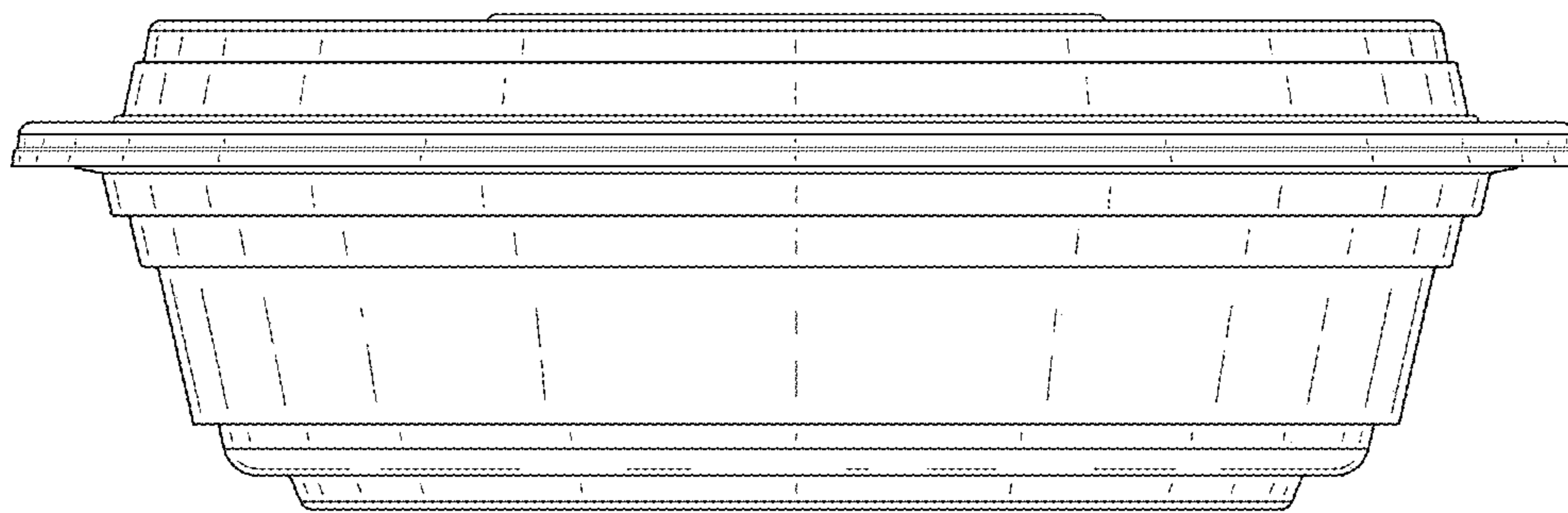


FIG. 16