



US00D976099S

(12) **United States Design Patent** (10) **Patent No.:** **US D976,099 S**
Sill et al. (45) **Date of Patent:** **** Jan. 24, 2023**

(54) **CLOSEABLE CARTON**
(71) Applicant: **Inno-Pak, LLC**, Delaware, OH (US)
(72) Inventors: **Jonathan D. Sill**, Delaware, OH (US);
Steven A. Mayer, Indianapolis, IN (US)
(73) Assignee: **Inno-Pak, LLC**, Delaware, OH (US)
(**) Term: **15 Years**
(21) Appl. No.: **29/762,292**
(22) Filed: **Dec. 15, 2020**

D302,948 S 8/1989 Blum
D304,907 S 12/1989 Tamsen
D305,204 S 12/1989 Reifein
4,911,298 A 3/1990 Miyagawa
(Continued)

OTHER PUBLICATIONS

Notice of Allowance dated Apr. 18, 2016 from UW U.S. Appl. No. 29/527,085.
Office Action dated Feb. 1, 2016 from U.S. Appl. No. 29/516,707.

Primary Examiner — Rhea Shields
(74) *Attorney, Agent, or Firm* — Ward and Smith, P.A.;
Ryan K. Simmons

Related U.S. Application Data

(62) Division of application No. 29/633,125, filed on Jan. 12, 2018, now Pat. No. Des. 904,870.
(51) **LOC (14) Cl.** **09-03**
(52) **U.S. Cl.**
USPC **D9/418**
(58) **Field of Classification Search**
USPC D9/414–415, 418, 432, 434; D3/203.2;
D10/64
CPC B65D 25/22; B65D 71/125; A01K 67/033
See application file for complete search history.

(57) **CLAIM**

The ornamental design for a closeable carton, as shown and described.

DESCRIPTION

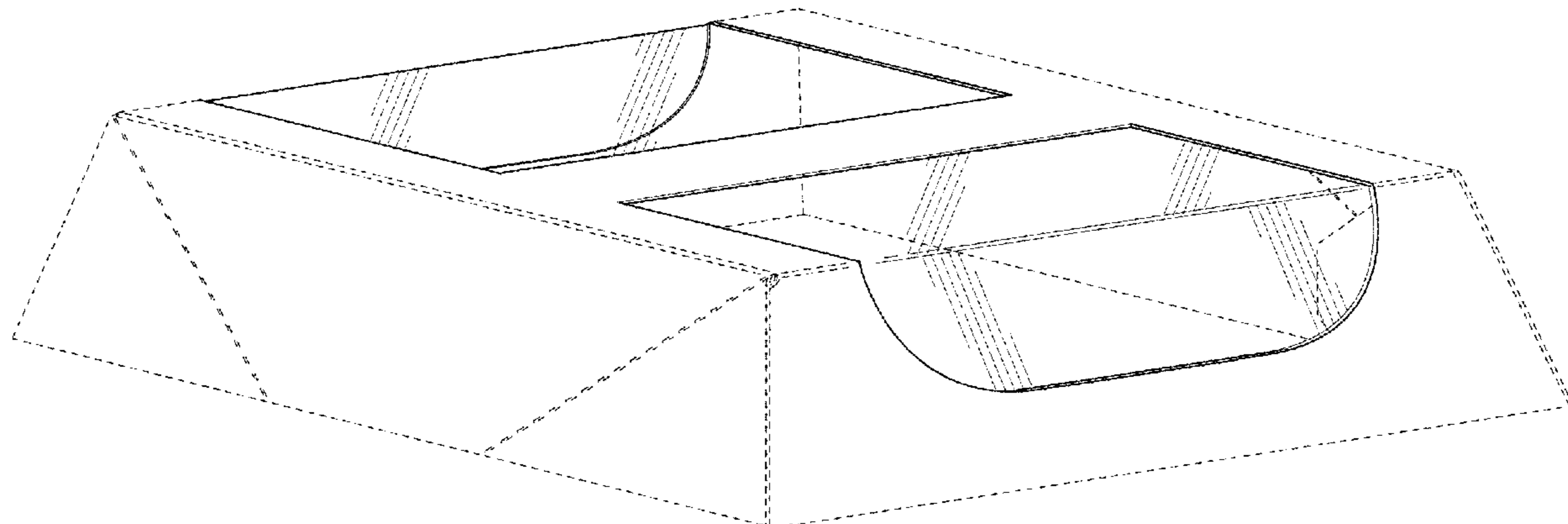
FIG. 1 is a front perspective view of a closeable carton showing a new design, the rear perspective view being a mirror image;
FIG. 2 is a top plan view thereof;
FIG. 3 is a front perspective view of a closeable carton showing an alternate configuration, the rear perspective view being a mirror image;
FIG. 4 is a top plan view thereof;
FIG. 5 is a front perspective view of a closeable carton showing another alternate configuration, the rear perspective view being a mirror image;
FIG. 6 is a top plan view thereof;
FIG. 7 is a front perspective view of a closeable carton showing yet another alternate configuration, the rear perspective view being a mirror image; and,
FIG. 8 is a top plan view thereof.
In the drawings, the broken lines are for the purpose of illustrating portions of the closeable carton that form no part of the claimed design.

(56) **References Cited**

U.S. PATENT DOCUMENTS

D259,253 S 5/1981 Nelson
D262,945 S 2/1982 Lytra
D263,796 S 4/1982 Fireman
D265,551 S 7/1982 Colby
D271,283 S 11/1983 Taylor
D271,664 S 12/1983 Cowan, Jr.
D274,407 S 6/1984 Rosenberg, Jr.
D279,355 S 6/1985 Ujiie
D291,065 S 7/1987 Pugh
D295,958 S 5/1988 Pugh
D295,959 S 5/1988 Pugh
D300,906 S 5/1989 Caldwell

1 Claim, 8 Drawing Sheets



(56)

References Cited

U.S. PATENT DOCUMENTS

D308,941 S	7/1990	Kong		D637,488 S	5/2011	Franic	
D309,262 S	7/1990	Coiner		D638,702 S	5/2011	Lowery	
D309,753 S	8/1990	Kagelmann-Holtz		D644,099 S	8/2011	Martinez Rodriguez	
D326,225 S	5/1992	Beckerman		D644,508 S	9/2011	Martinez Rodriguez	
5,114,002 A	5/1992	Warner		D646,964 S	10/2011	Ampadu	
D332,347 S	1/1993	Raadt		D647,398 S	11/2011	Winkler	
D332,744 S	1/1993	McCooey		D649,067 S	11/2011	Birdwell et al.	
D333,781 S	3/1993	Kobel		D649,451 S	11/2011	Franic	
D335,820 S	5/1993	Detert		D649,886 S	12/2011	Ocampo	
D337,047 S	7/1993	Pearce		D651,074 S	12/2011	Lacey	
D351,554 S	10/1994	Kim		D655,153 S	3/2012	Mitten	
D362,405 S	9/1995	Dallimore		D659,380 S *	5/2012	Mayer D3/203.2	
D365,755 S	1/1996	Kanfer et al.		D668,540 S	10/2012	Lutzig	
5,505,372 A	4/1996	Edson		D675,092 S	1/2013	Sill	
D371,070 S	6/1996	Brier		8,356,743 B2	1/2013	Spivey, Sr.	
D371,959 S	7/1996	Hupp		D675,920 S	2/2013	Sill	
D372,401 S	8/1996	Lillelund et al.		8,376,214 B2	2/2013	Spivey, Sr.	
D378,126 S	2/1997	Williams		D678,779 S	3/2013	Lee	
D380,964 S	7/1997	Miller		D679,950 S	4/2013	Cooper	
D383,669 S	9/1997	Taylor		D681,444 S	5/2013	Oja et al.	
D386,079 S	11/1997	Harper		D685,633 S	7/2013	Thomas	
D387,979 S	12/1997	Dolan		D688,568 S	8/2013	Noel	
D389,739 S	1/1998	Auclair		D693,215 S	11/2013	Sill	
D401,147 S	11/1998	Miller		D693,216 S	11/2013	Sill	
D403,576 S	1/1999	Weiss		D693,217 S	11/2013	Sill	
D406,754 S	3/1999	Tanabe		D693,218 S	11/2013	Sill	
D415,960 S	11/1999	Majdanski et al.		D695,104 S	12/2013	Sill	
5,992,733 A	11/1999	Gomes		D696,725 S	12/2013	Sasken-Duff et al.	
D425,702 S *	5/2000	Baich D10/64		8,607,987 B2	12/2013	Oja et al.	
D429,462 S	8/2000	Kumakura		D699,103 S	2/2014	Rathbone et al.	
D429,635 S *	8/2000	Ito D9/415		D706,132 S	6/2014	Sill	
D430,017 S *	8/2000	Ito D9/415		D708,511 S	7/2014	Green	
D430,396 S	9/2000	Biesecker		D710,713 S	8/2014	Fath	
D433,260 S	11/2000	Shimbo		D712,275 S	9/2014	Irek	
D440,491 S	4/2001	Stacy-Ryan		D713,716 S	9/2014	Oja et al.	
D442,859 S	5/2001	Hirschey		D716,649 S	11/2014	McAdam	
6,227,367 B1	5/2001	Harrelson		D717,162 S	11/2014	Baker	
D443,204 S	6/2001	Garrant		D717,163 S	11/2014	Paulsen	
D464,878 S	10/2002	Thompson		D717,645 S	11/2014	Wilmers	
D469,349 S	1/2003	Meeker et al.		D719,440 S	12/2014	Matloff	
D469,692 S	2/2003	Meeker et al.		D719,845 S	12/2014	Lee	
D485,172 S	1/2004	Defino		D722,869 S	2/2015	Himmelsbach et al.	
D518,371 S	4/2006	Franic		D726,004 S	4/2015	Chiang	
D519,366 S	4/2006	Epstein		D727,732 S	4/2015	Petty	
D527,629 S	9/2006	Franic		D728,357 S	5/2015	Pierce	
D529,795 S	10/2006	Kragtwijk		D729,055 S	5/2015	Lemnios et al.	
D536,245 S	2/2007	Bruun		D729,058 S	5/2015	Ishikawa	
D536,612 S	2/2007	Geurts et al.		D734,145 S	7/2015	Fath et al.	
D540,164 S	4/2007	Franic		D739,228 S	9/2015	Jondal et al.	
D556,599 S	12/2007	Keener		D740,654 S	10/2015	Boehnen et al.	
D570,683 S	6/2008	Kortsmit et al.		D743,248 S	11/2015	Fath et al.	
D578,883 S	10/2008	Kisch		D746,673 S	1/2016	Sanfilippo	
D580,751 S	11/2008	Blick		D746,699 S	1/2016	Fath	
7,444,956 B2 *	11/2008	Vadis A01K 67/033 119/6.5		D746,700 S	1/2016	Boehnen et al.	
D582,791 S	12/2008	Elmerhaus		D753,919 S	4/2016	Parker	
D587,998 S	3/2009	Kaisanlahti		D760,598 S	7/2016	White	
D593,211 S	5/2009	Dewitt		D762,113 S *	7/2016	Mayer D9/418	
D595,104 S	6/2009	Goodrich		D762,465 S	8/2016	Popper et al.	
D596,027 S	7/2009	Kalberer		D766,108 S	9/2016	Brown	
D601,016 S	9/2009	Kalberer		D774,891 S	12/2016	Mayer	
D602,353 S	10/2009	Anderson et al.		D774,893 S	12/2016	Mayer	
D605,506 S	12/2009	Franic		D774,895 S	12/2016	Mayer	
D607,987 S	1/2010	Paxton		D774,896 S	12/2016	Mayer	
D616,739 S	6/2010	Kalberer		D774,897 S	12/2016	Mayer	
D617,636 S	6/2010	Vanhoutte		D774,898 S	12/2016	Mayer	
D618,543 S	6/2010	Polaski		D776,522 S	1/2017	Mayer	
7,780,004 B2	8/2010	Carlozzi		D784,164 S	4/2017	Toth	
D623,939 S	9/2010	Tearle		D786,663 S	5/2017	Mayer	
D624,405 S	9/2010	Franic		D787,313 S *	5/2017	Mayer D9/418	
D626,831 S	11/2010	Nicholas		D787,314 S *	5/2017	Sill D9/418	
D629,294 S	12/2010	Chinnis		D787,315 S *	5/2017	Sill D9/418	
D629,295 S	12/2010	Franic		D787,316 S *	5/2017	Sill D9/418	
D636,662 S	4/2011	Ignacio et al.		D787,929 S *	5/2017	Sill D9/418	
D637,078 S	5/2011	Peng		D787,933 S *	5/2017	Sill D9/418	
				D789,783 S	6/2017	DeBusk	
				D795,696 S	8/2017	Pitera et al.	
				D798,141 S *	9/2017	Miller D9/418	
				D799,317 S	10/2017	Sill	
				D799,955 S	10/2017	Sill	

(56)

References Cited

U.S. PATENT DOCUMENTS

D800,546 S	10/2017	Sill	
D800,547 S	10/2017	Sill	
D800,548 S	10/2017	Sill	
D804,298 S	12/2017	Demmink	
D809,917 S	2/2018	Wieser	
D816,479 S *	5/2018	Sill	D9/418
D816,480 S *	5/2018	Sill	D9/418
D816,481 S *	5/2018	Sill	D9/418
D820,688 S	6/2018	Fath	
D822,283 S	7/2018	Gaito	
D822,480 S	7/2018	Rivera	
D829,095 S	9/2018	McKenna	
D839,725 S	2/2019	Ralston et al.	
D840,219 S	2/2019	McKenna	
D840,807 S	2/2019	Ross	
D842,098 S	3/2019	Ross	
D844,430 S	4/2019	Dammers et al.	
D846,378 S	4/2019	Sill et al.	
D846,379 S	4/2019	Sill et al.	
D846,981 S *	4/2019	Sill	D9/418
D846,982 S	4/2019	Horne	
D847,454 S	4/2019	Mathia	
D847,626 S	5/2019	Sill et al.	
D852,032 S	6/2019	Horne	
D854,925 S	7/2019	Fath	
D856,131 S	8/2019	Hon	
D856,794 S	8/2019	Sill et al.	
D856,795 S	8/2019	Sill et al.	
D856,796 S	8/2019	Sill et al.	
D856,797 S	8/2019	Sill et al.	
D865,517 S	11/2019	Gressel et al.	
D866,314 S	11/2019	Marotti	
D867,125 S	11/2019	Sill et al.	
D878,914 S *	3/2020	Zeiler	D9/434
D879,603 S *	3/2020	Sill	D9/418
D879,604 S *	3/2020	Sill	D9/418
D879,606 S *	3/2020	Sill	D9/432
D880,999 S *	4/2020	Sill	D9/418
D881,000 S	4/2020	Sill	
D881,001 S	4/2020	Sill	
D881,002 S	4/2020	Sill	
D904,870 S *	12/2020	Sill	D9/418
D904,871 S *	12/2020	Sill	D9/418
D904,873 S *	12/2020	Sill	D9/418
D906,100 S *	12/2020	Sill	D9/418
2009/0236351 A1 *	9/2009	Chu	B65D 25/22 53/484
2010/0059579 A1	3/2010	House	
2013/0220873 A1	8/2013	Holly, Jr.	
2014/0103100 A1	4/2014	Falcon	
2015/0344216 A1	12/2015	Petty et al.	
2016/0009442 A1	1/2016	Block	
2016/0362220 A1	12/2016	Kearns	
2017/0066586 A1	3/2017	Petty	
2018/0009585 A1	1/2018	Ramsuer	
2018/0022500 A1	1/2018	Zhu	
2018/0118403 A1	5/2018	Petty	
2018/0127141 A1	5/2018	Brundage	
2018/0141734 A1	5/2018	Kooc	
2018/0297761 A1	10/2018	Alexander	
2018/0319560 A1	11/2018	Blin	
2019/0009946 A1	1/2019	Nixon	
2019/0016501 A1	1/2019	Djokovic	
2019/0144157 A1 *	5/2019	Sill	B65D 71/125 206/459.1

* cited by examiner

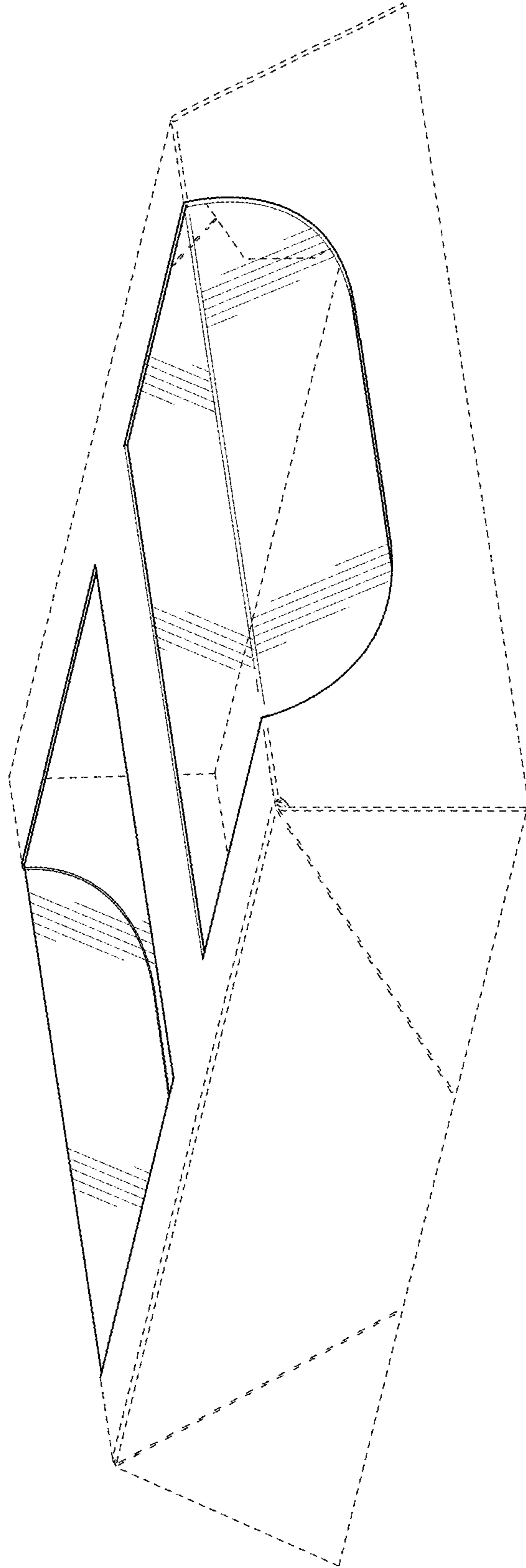


FIG. 1

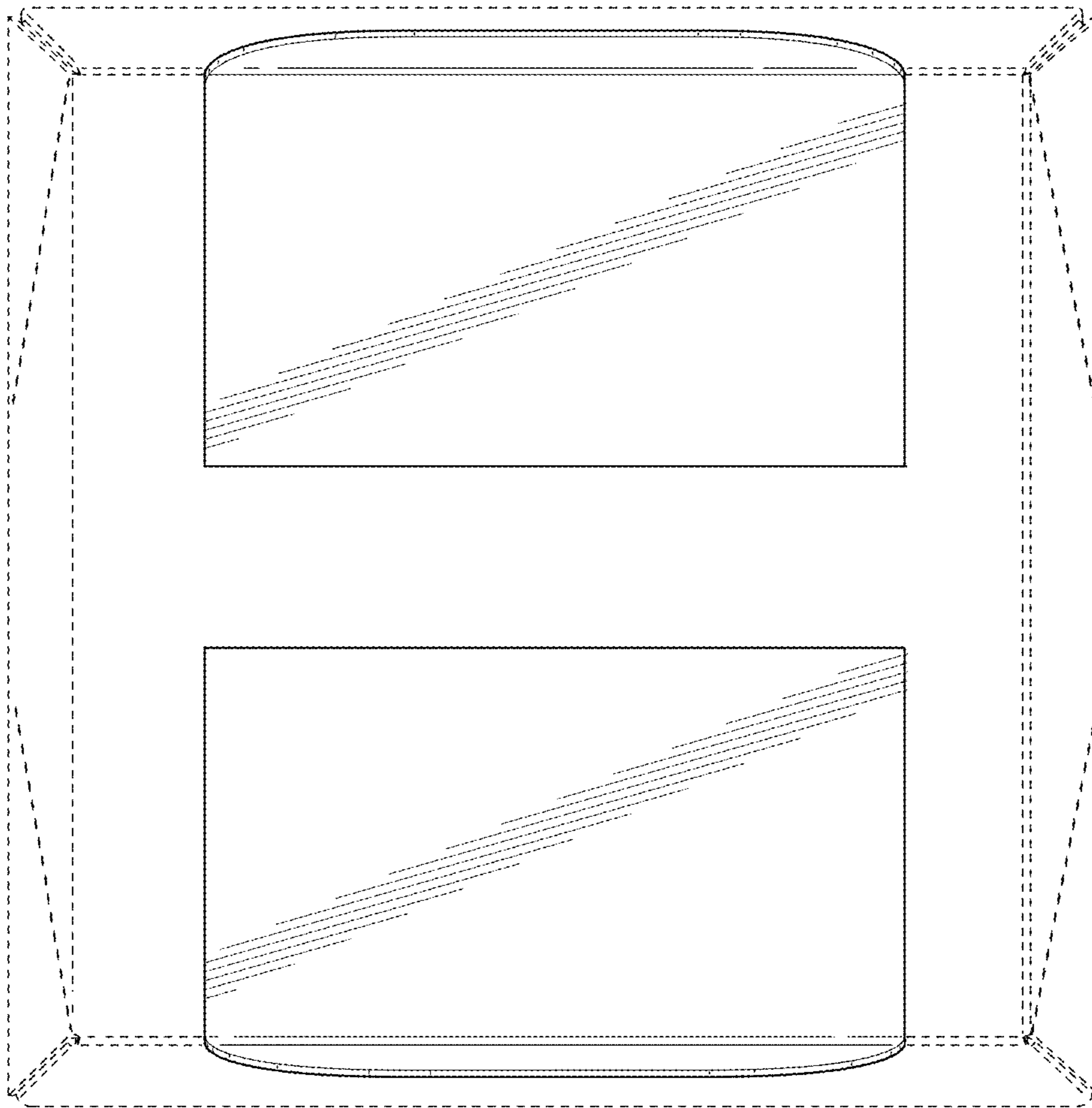


FIG. 2

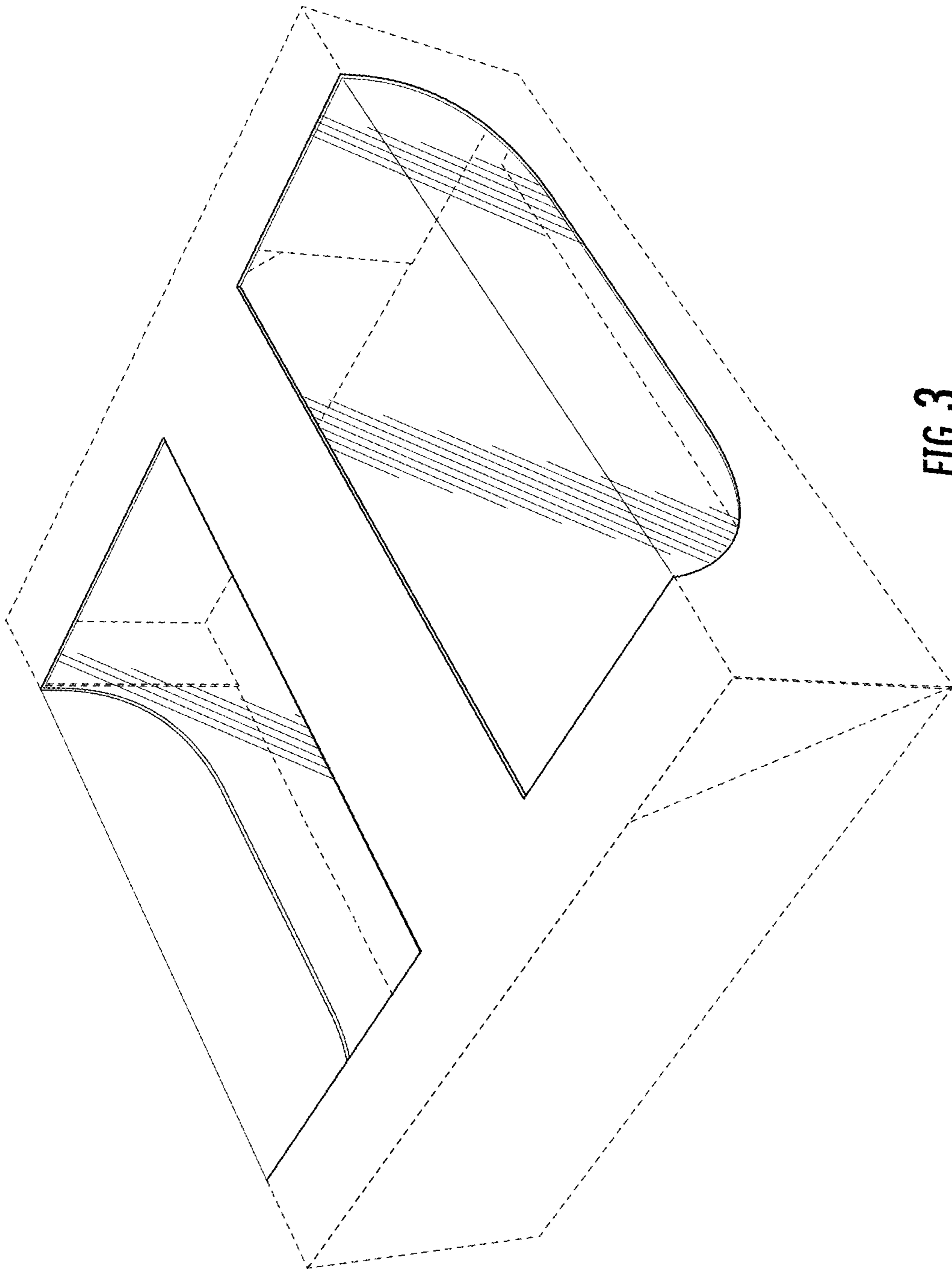


FIG. 3

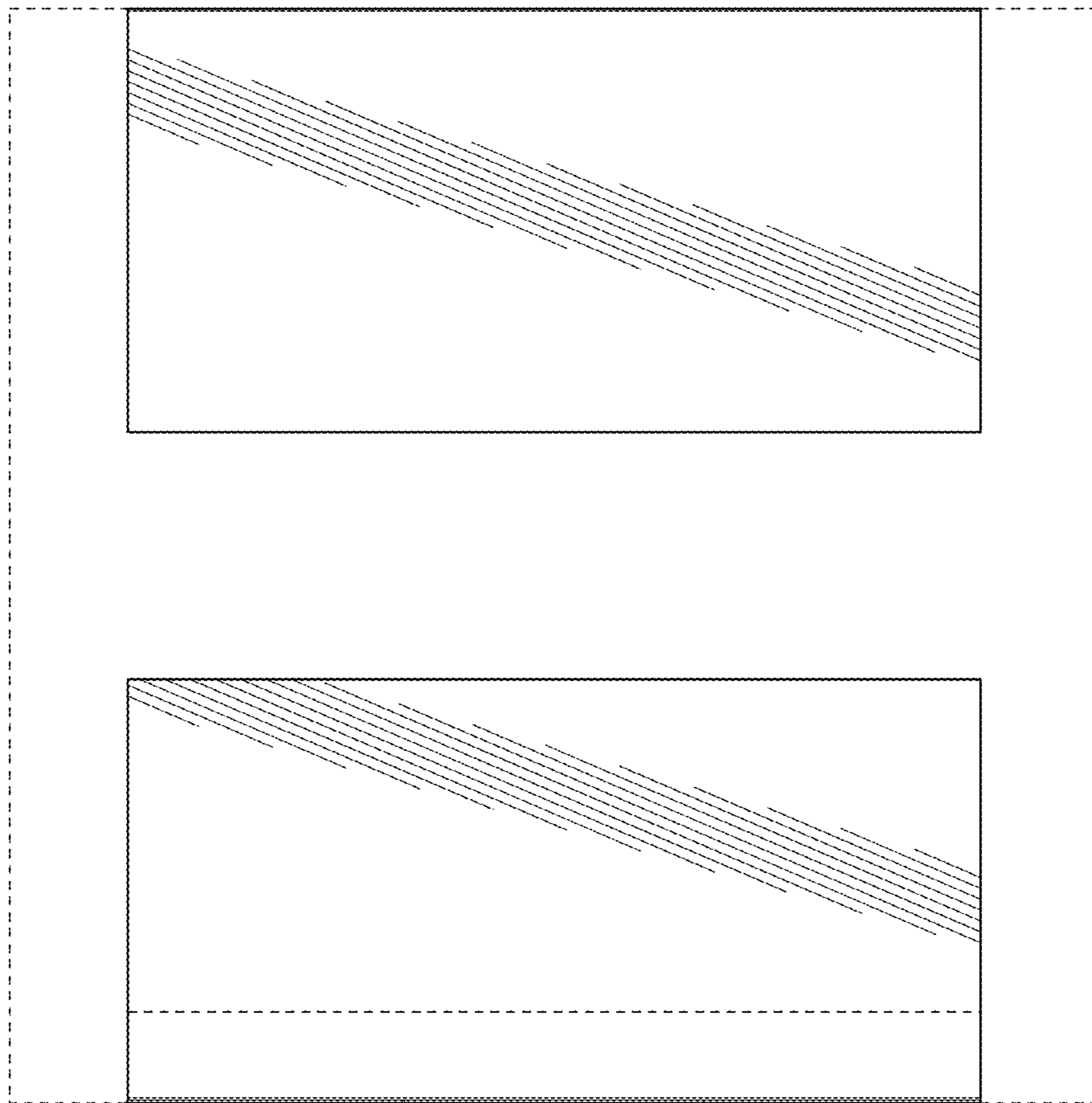


FIG. 4

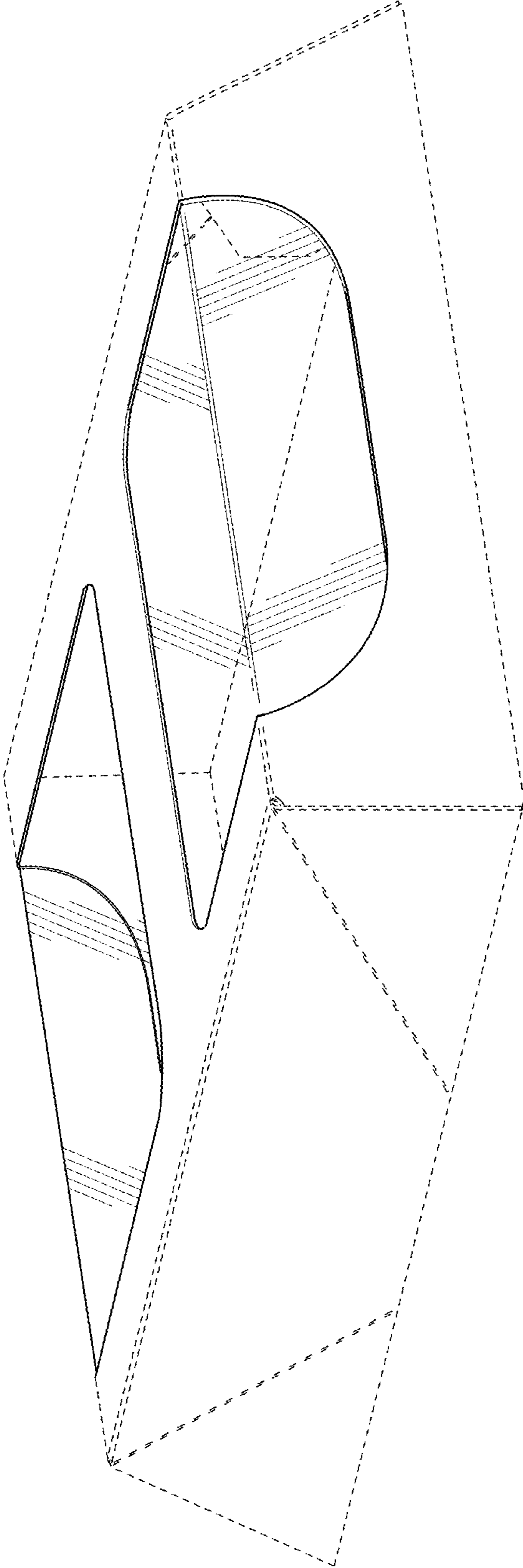


FIG. 5

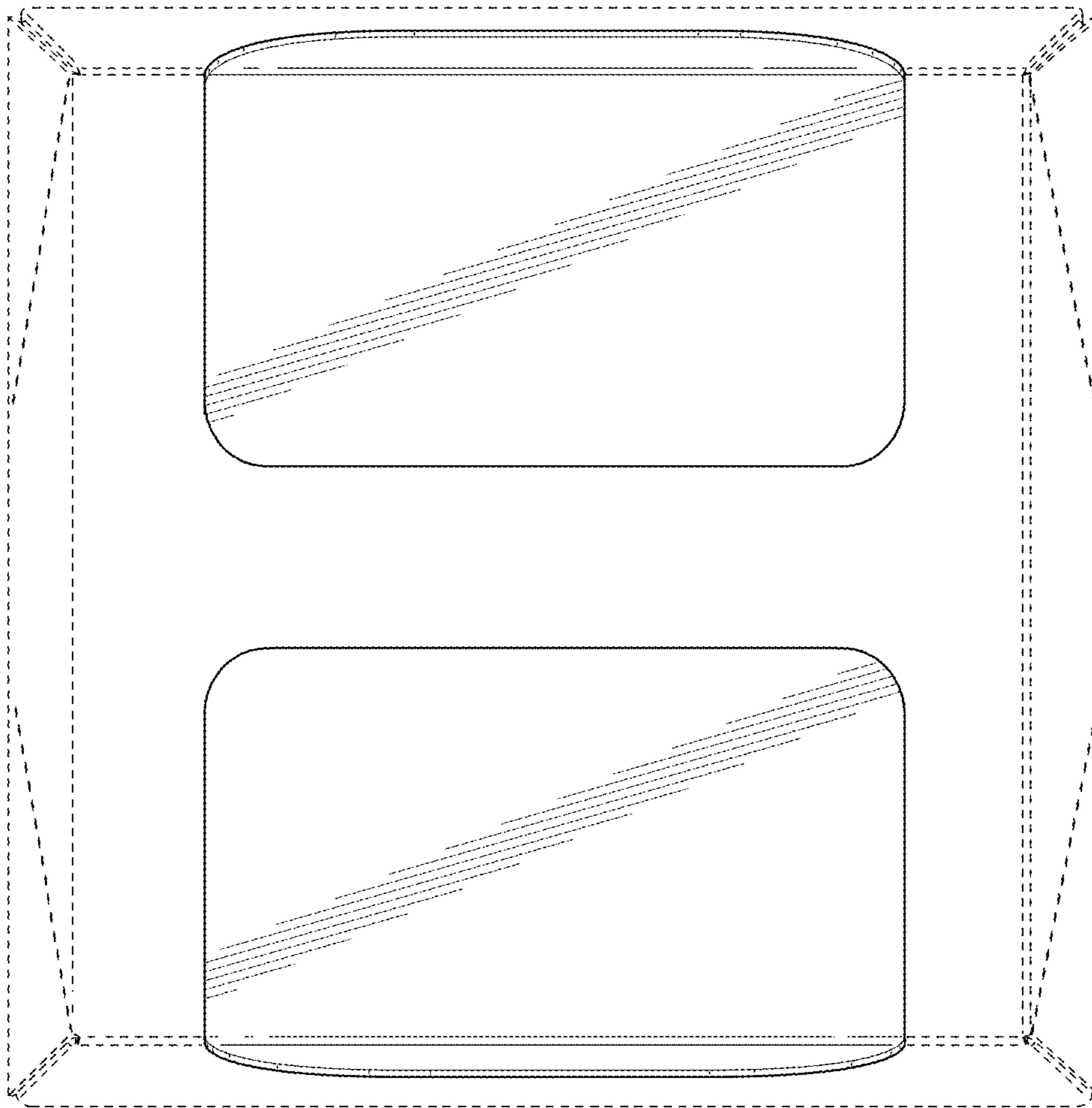


FIG. 6

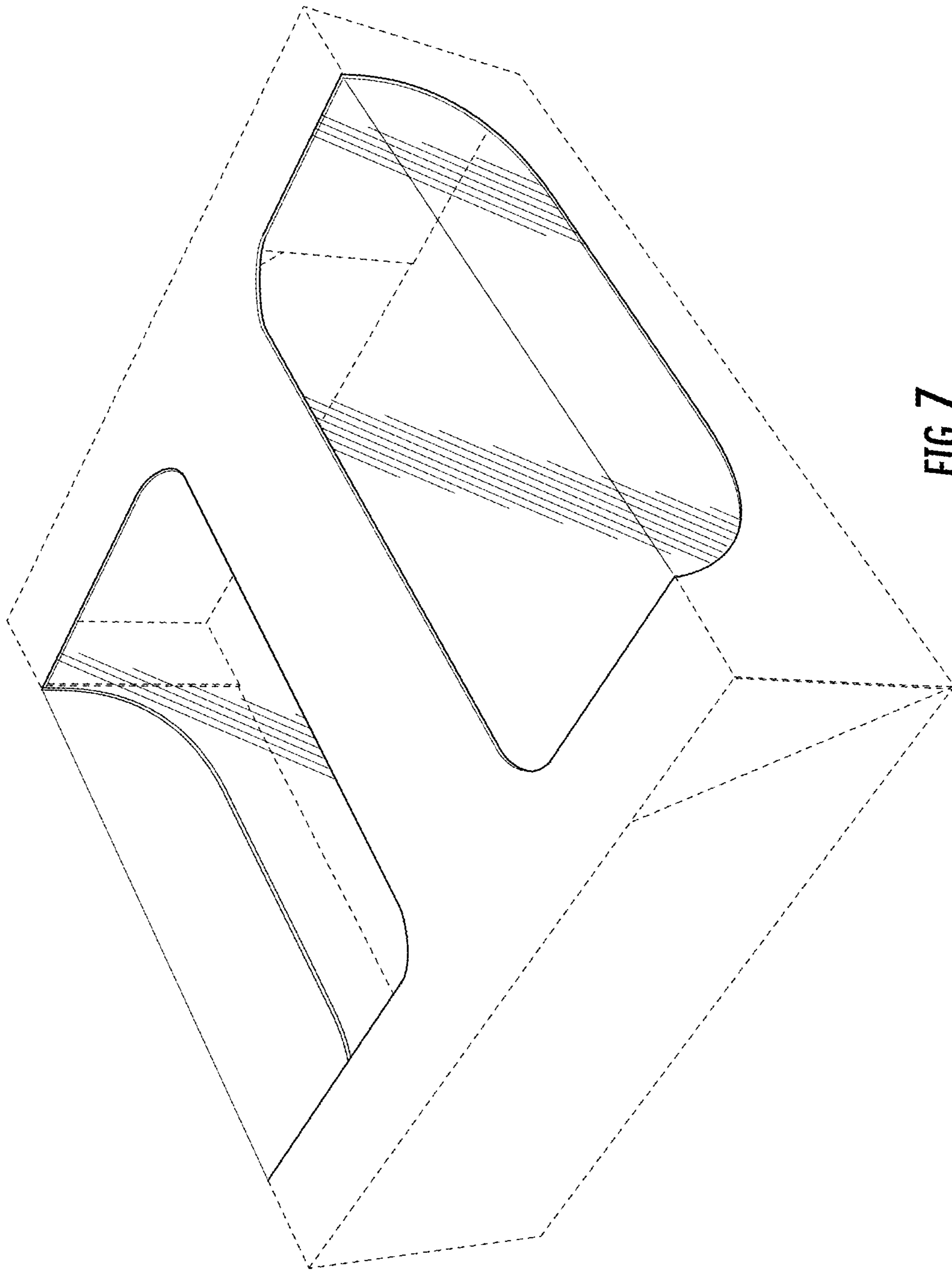


FIG. 7

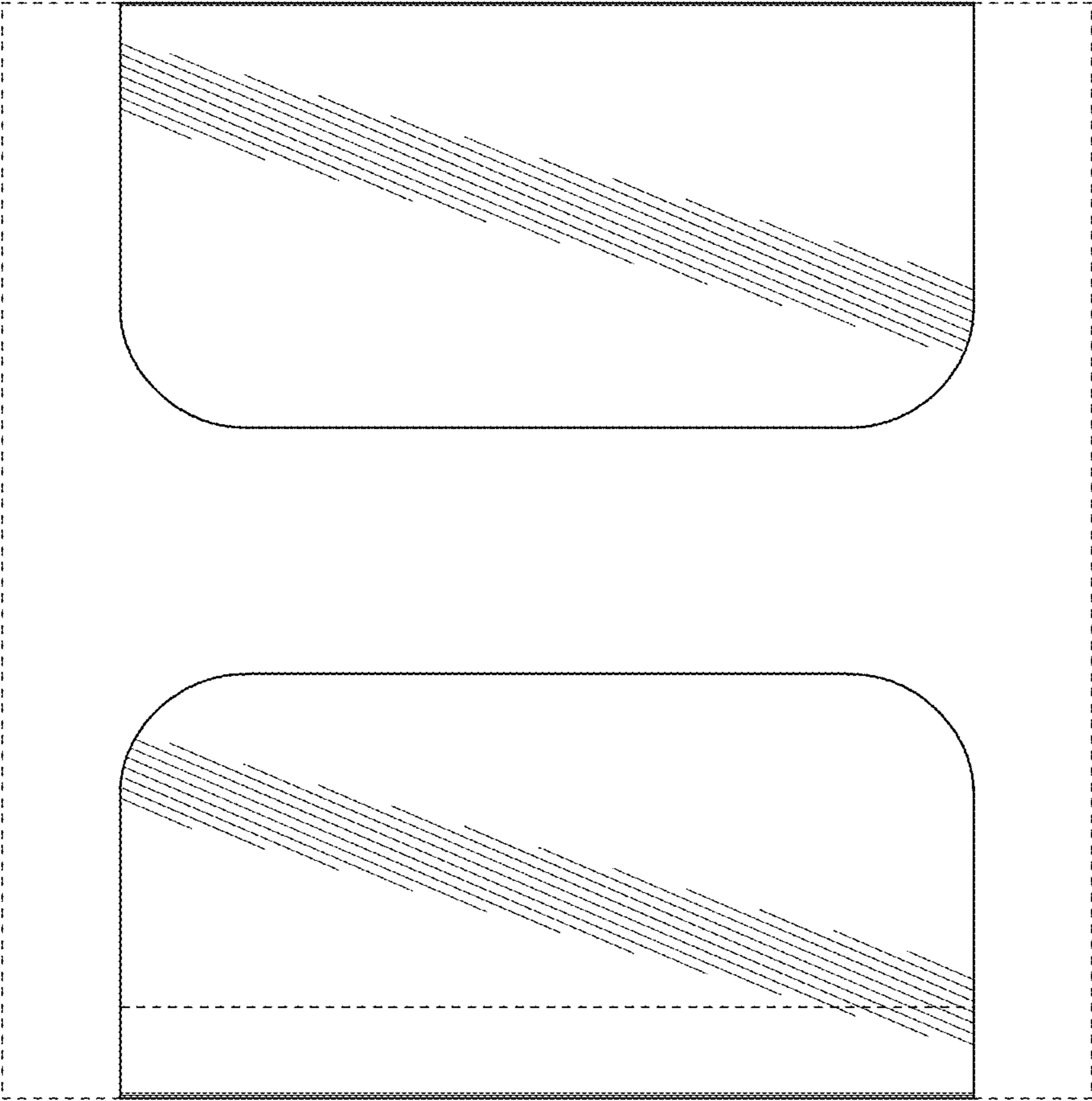


FIG. 8