



US00D976095S

(12) **United States Design Patent**
Bertani

(10) **Patent No.:** **US D976,095 S**

(45) **Date of Patent:** **** Jan. 24, 2023**

(54) **CLAMP**

(71) Applicant: **ELESA S.p.A.**, Milan (IT)

(72) Inventor: **Alberto Bertani**, Monza (IT)

(73) Assignee: **ELESA S.P.A.**, Milan (IT)

(**) Term: **15 Years**

(21) Appl. No.: **35/511,957**

(22) Filed: **May 17, 2021**

(80) **Hague Agreement Data**

Int. Filing Date: **May 17, 2021**

Int. Reg. No.: **DM/214467**

Int. Reg. Date: **May 17, 2021**

Int. Reg. Pub. Date: **Jun. 4, 2021**

(51) **LOC (14) Cl.** **08-03**

(52) **U.S. Cl.**
USPC **D8/396**

(58) **Field of Classification Search**
USPC D8/349, 354, 363, 373, 379, 382, 394,
D8/395, 396, 499; D16/245
CPC F16M 11/00; F16M 11/2021; F16M 11/28;
F16M 11/18; F16M 11/245; F16M 11/14;
H04R 1/28; H04R 1/02; H04R 2201/025;
Y10T 24/44974

See application file for complete search history.

(56) **References Cited**

U.S. PATENT DOCUMENTS

D376,974 S * 12/1996 Chen 24/274 WB
5,769,556 A * 6/1998 Colley B62H 3/02
403/396
9,598,139 B2 * 3/2017 Miki B62K 23/06
D833,265 S * 11/2018 Meola D8/396

D863,051 S * 10/2019 Bancroft D23/262
D863,052 S * 10/2019 Bancroft D23/262
10,494,053 B2 * 12/2019 Komada F16B 2/065
D897,828 S * 10/2020 Lin D8/396
D909,844 S * 2/2021 Van Hulst D8/72
D911,158 S * 2/2021 Jenkins D8/382
D939,337 S * 12/2021 Kovacs D8/499
D954,521 S * 6/2022 Jenney D8/72
2015/0096403 A1 * 4/2015 Hirotoni B62K 23/06
74/551.8
2021/0111546 A1 * 4/2021 Varale F16B 2/065

* cited by examiner

Primary Examiner — Darlington Ly

(74) *Attorney, Agent, or Firm* — Pearne & Gordon LLP

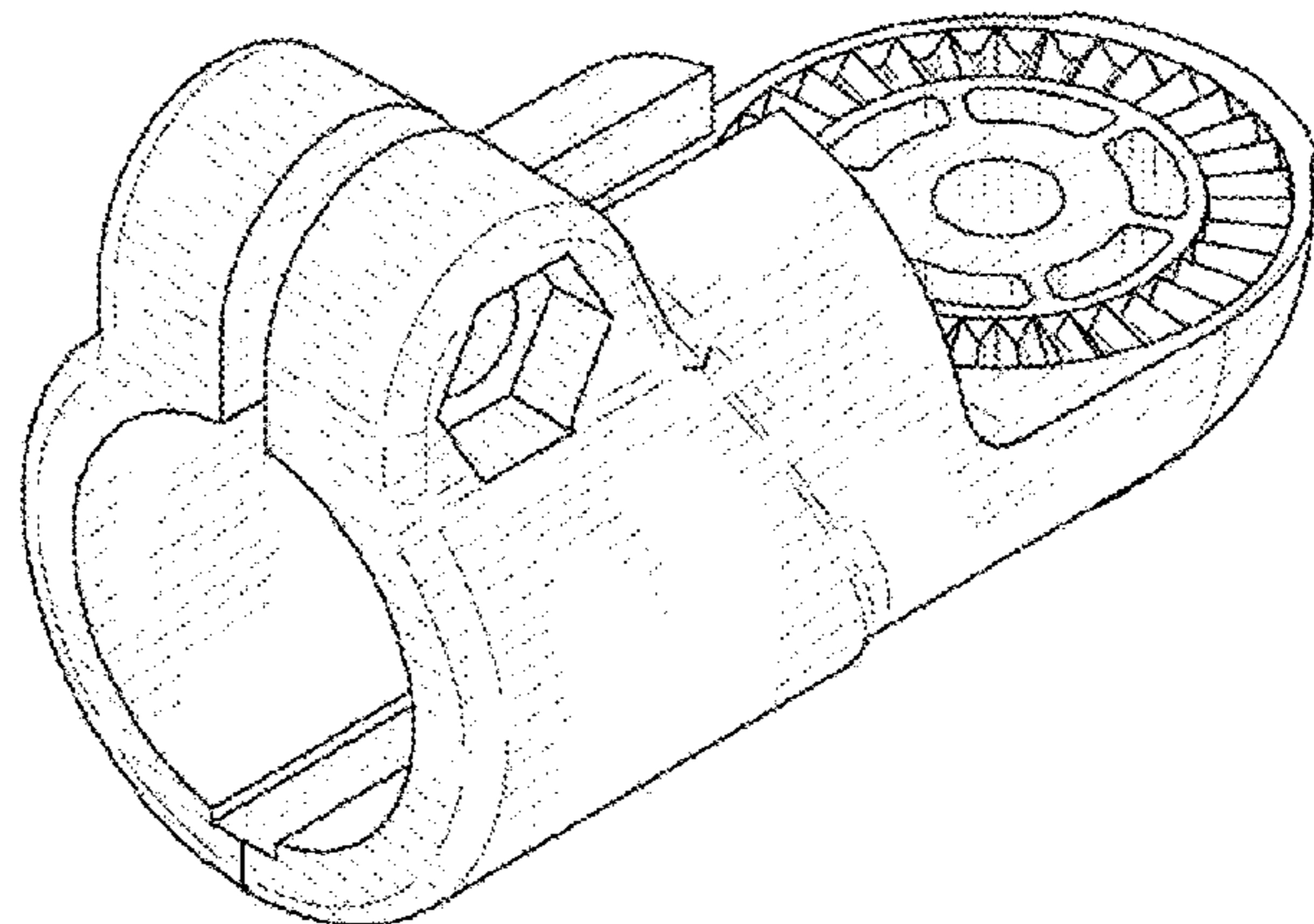
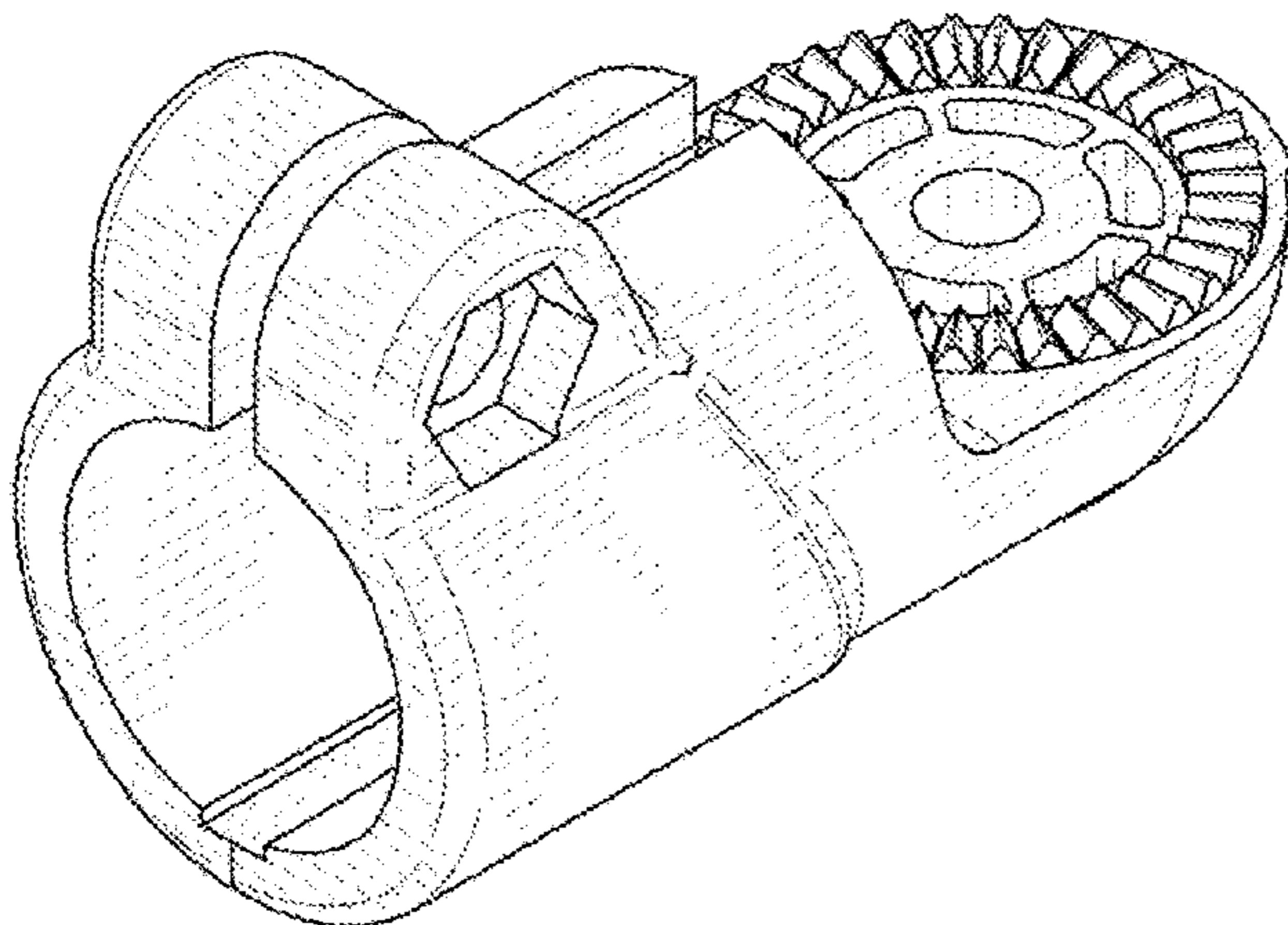
(57) **CLAIM**

The ornamental design for a clamp, as shown and described.

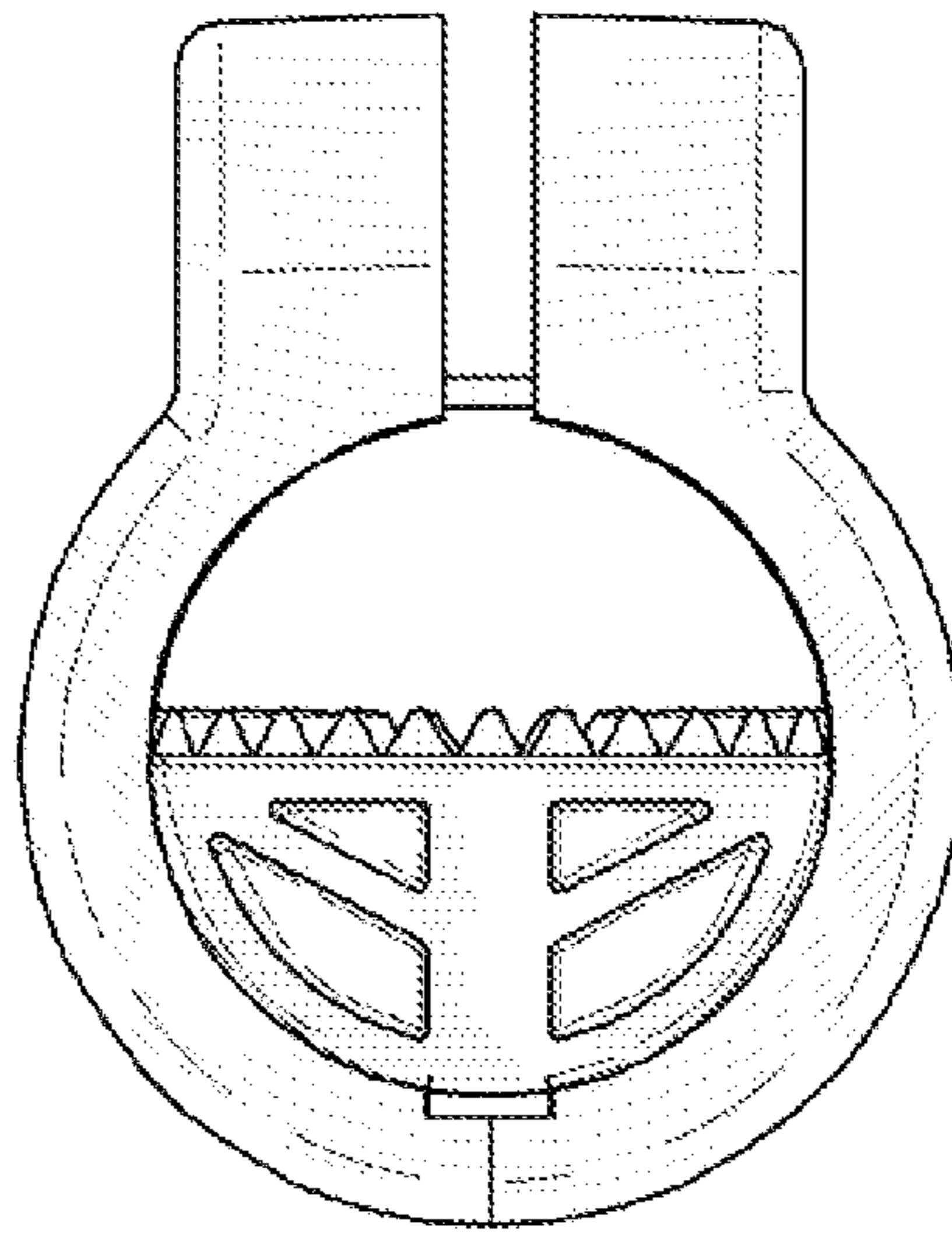
DESCRIPTION

2. Clamp
3. Clamp
2.1 is a rear elevation view of a clamp embodying my new design in accordance with a first embodiment;
2.2 is a bottom plan view thereof;
2.3 is a top plan view thereof;
2.4 is a right side elevation view thereof;
2.5 is a left side elevation view thereof;
2.6 is a front elevation view thereof; and
2.7 is a perspective view thereof.
3.1 is a top plan view of a clamp embodying my new design in accordance with a second embodiment;
3.2 is a bottom plan view thereof;
3.3 is a right side elevation view thereof;
3.4 is a left side elevation view thereof;
3.5 is a rear elevation view thereof;
3.6 is a front elevation view thereof; and
3.7 is a perspective view thereof.

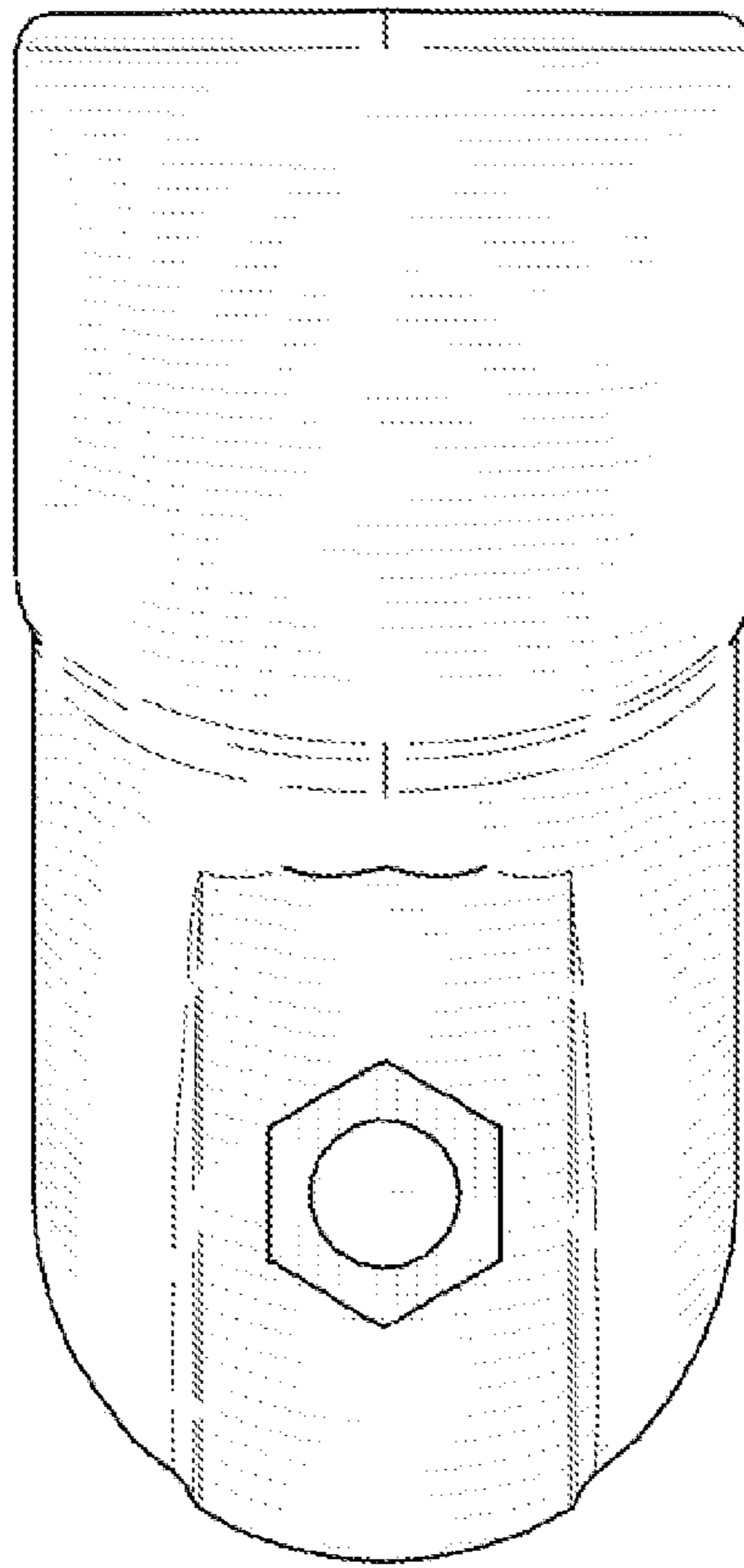
1 Claim, 14 Drawing Sheets



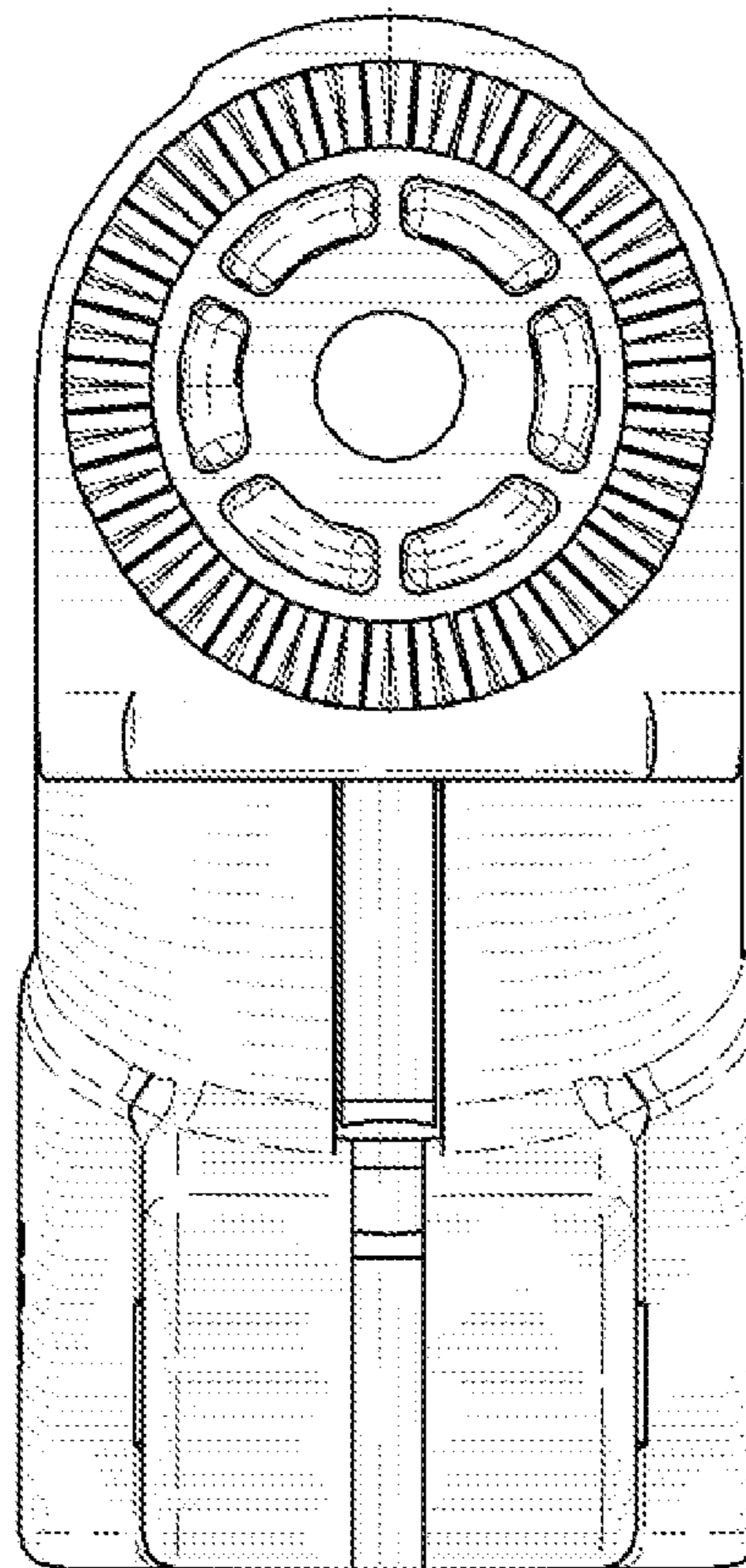
2.1



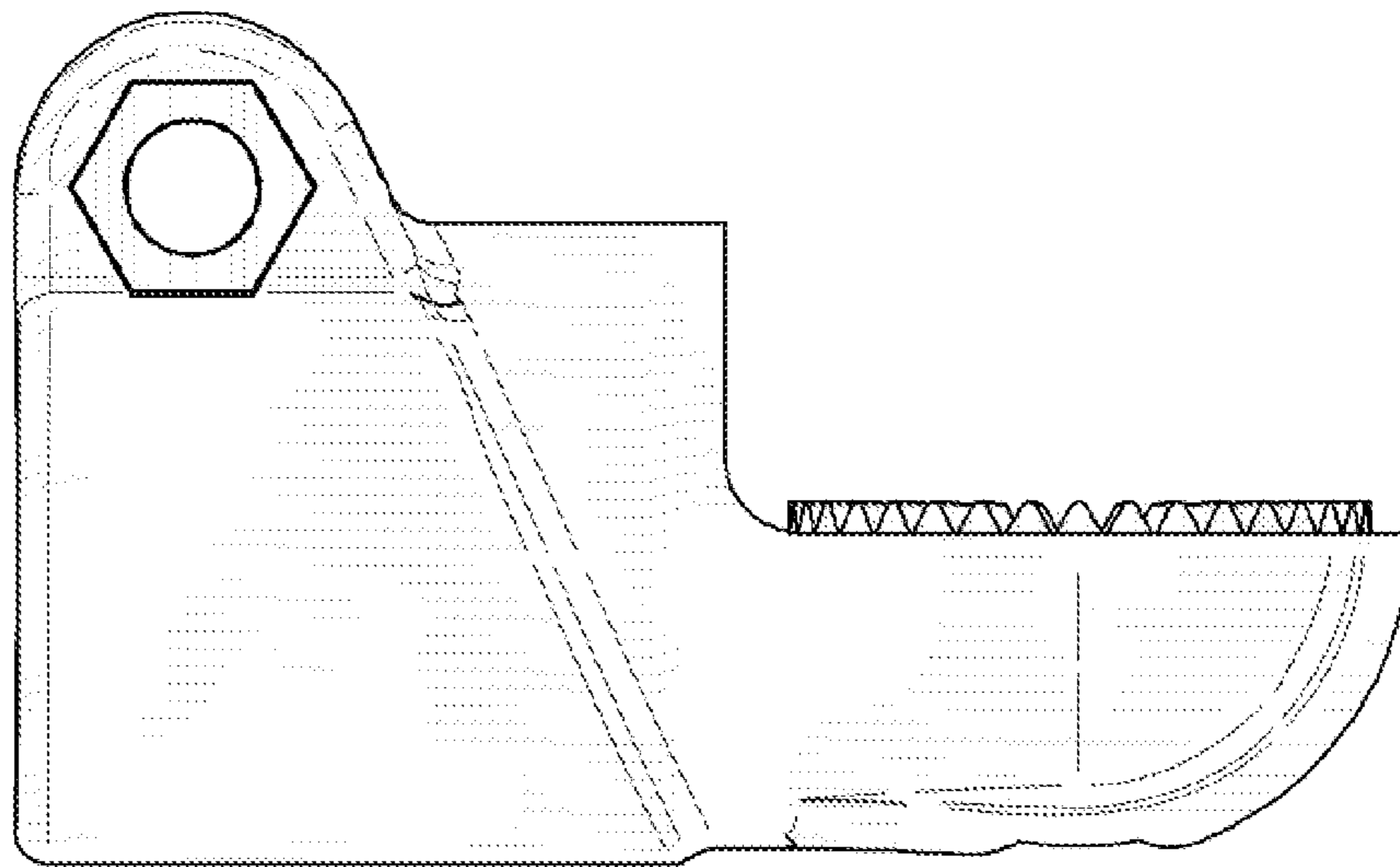
2.2



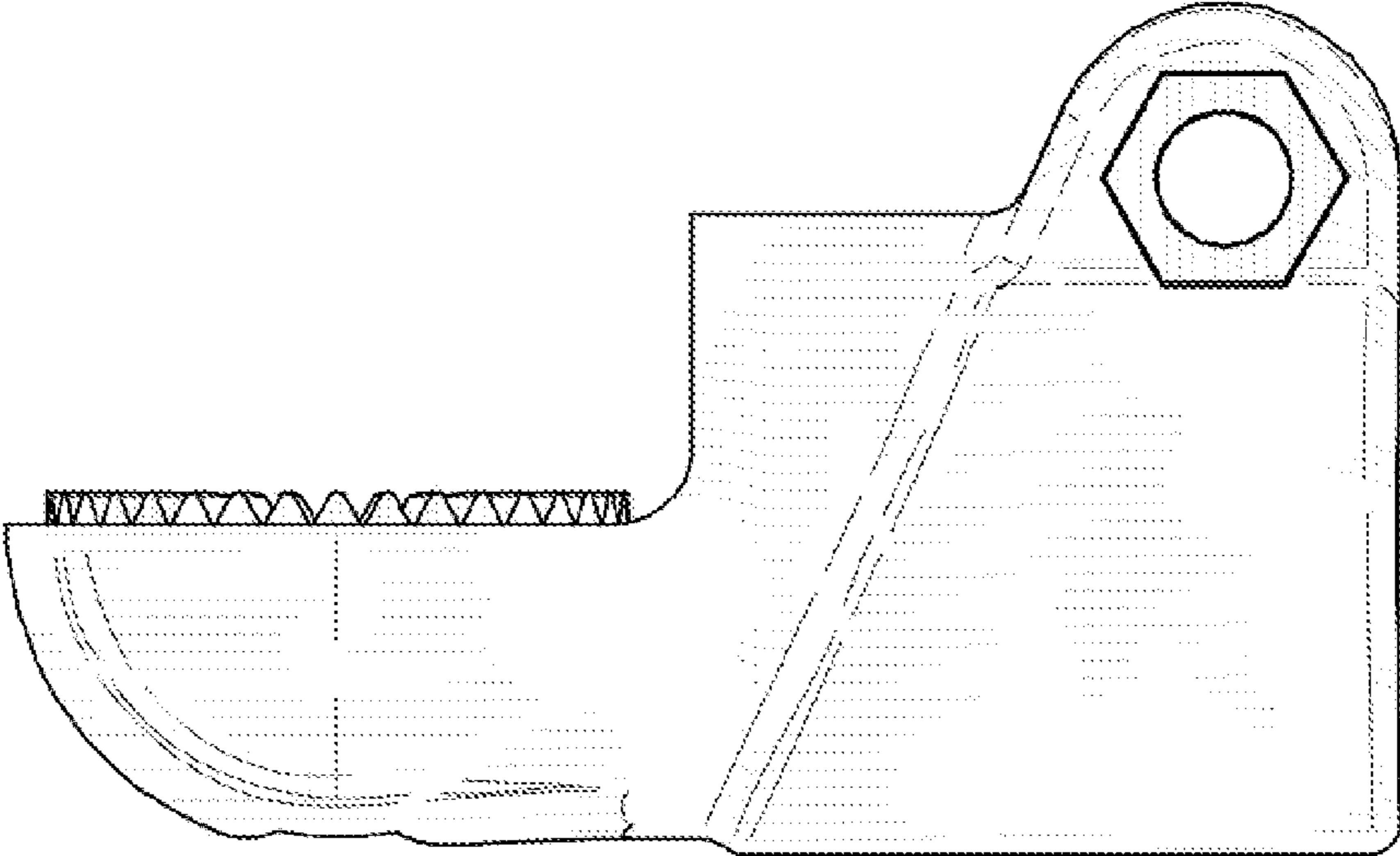
2.3



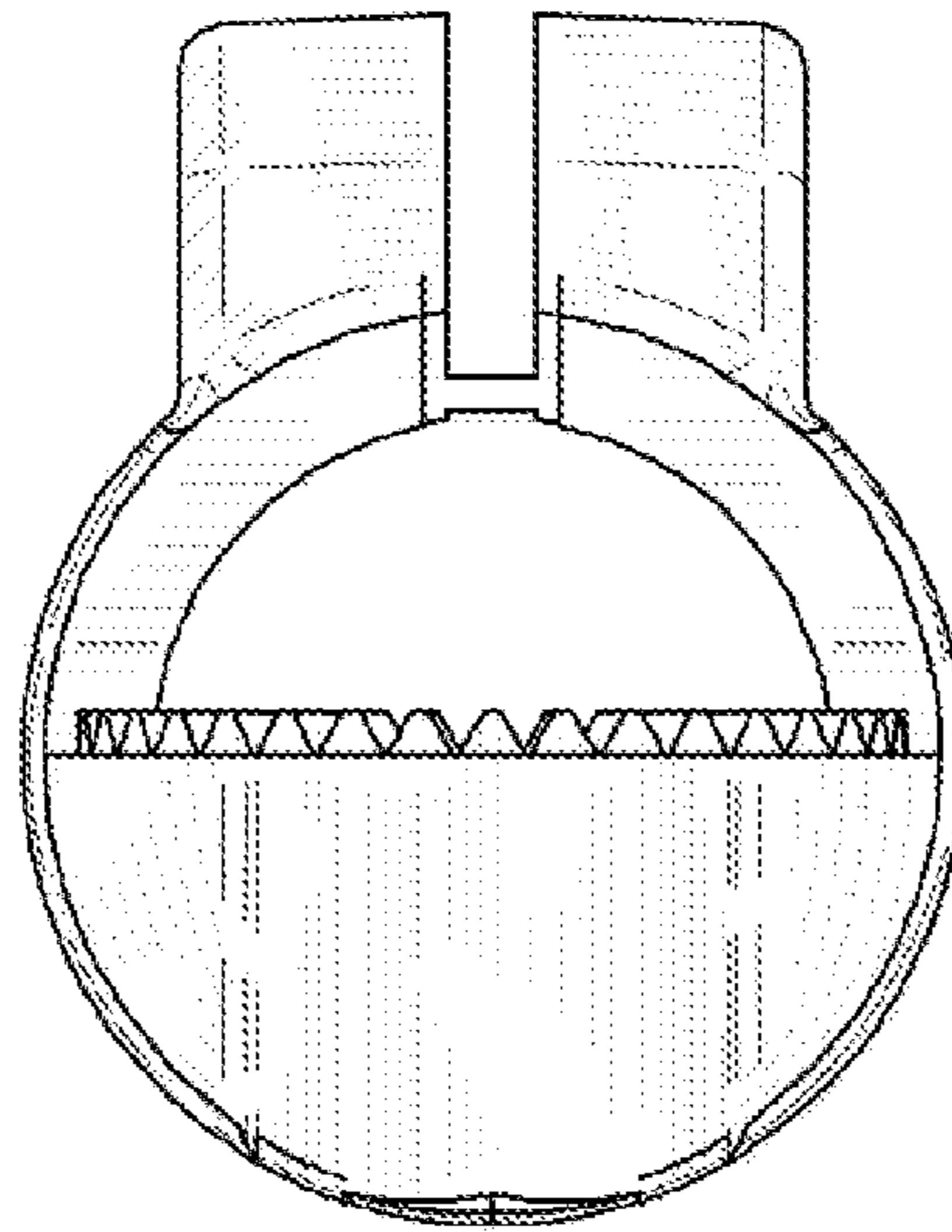
2.4



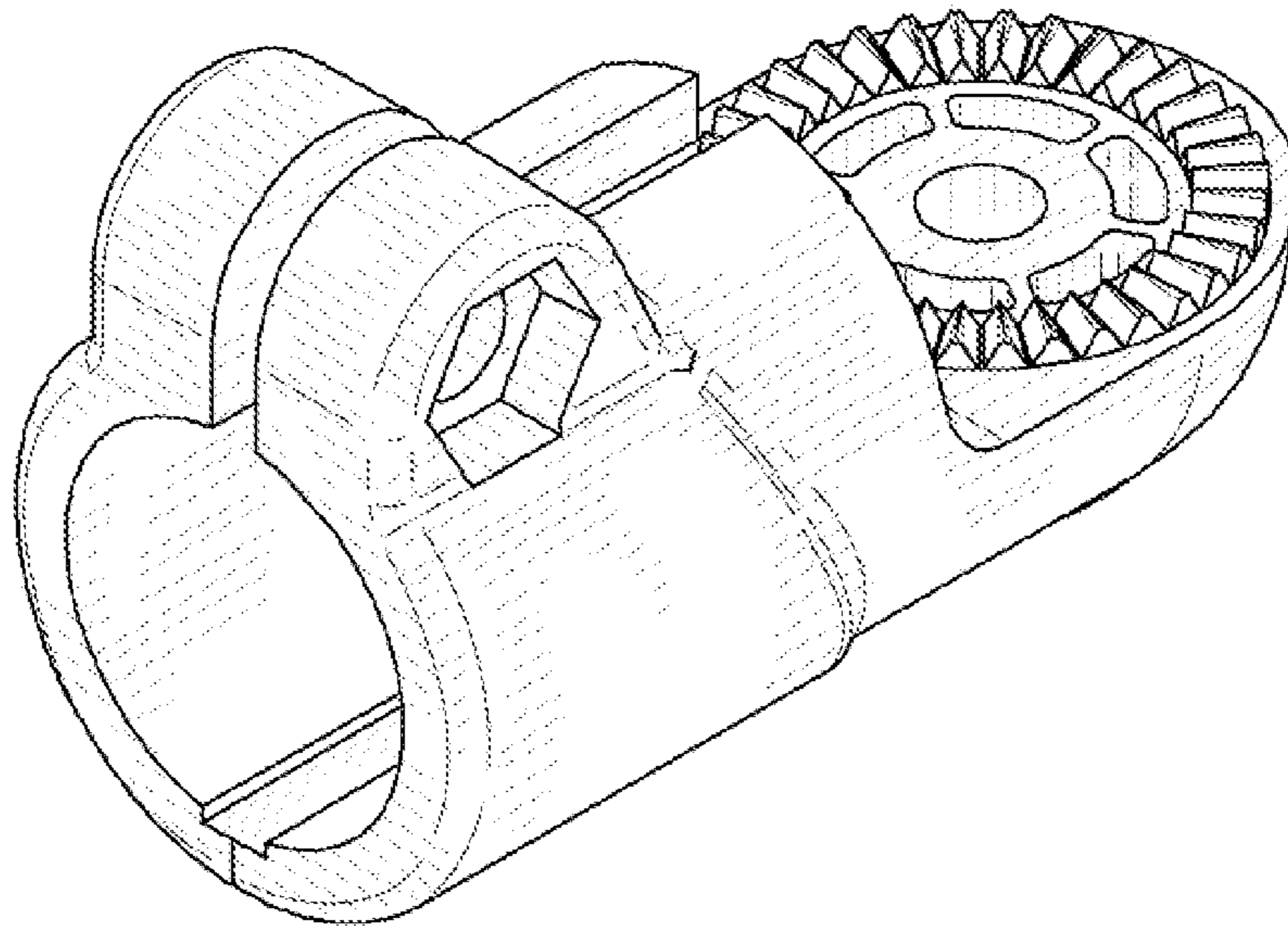
2.5



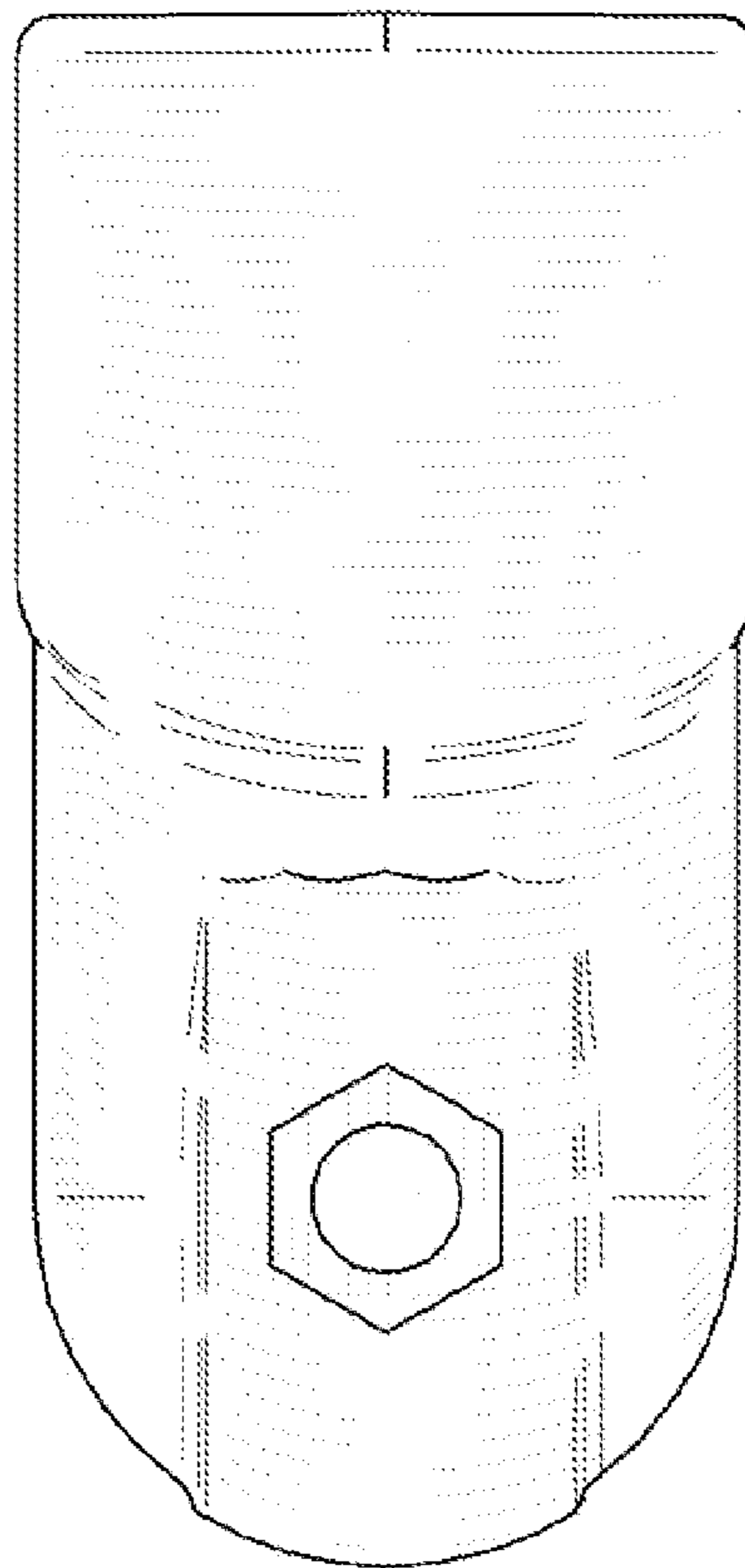
2.6



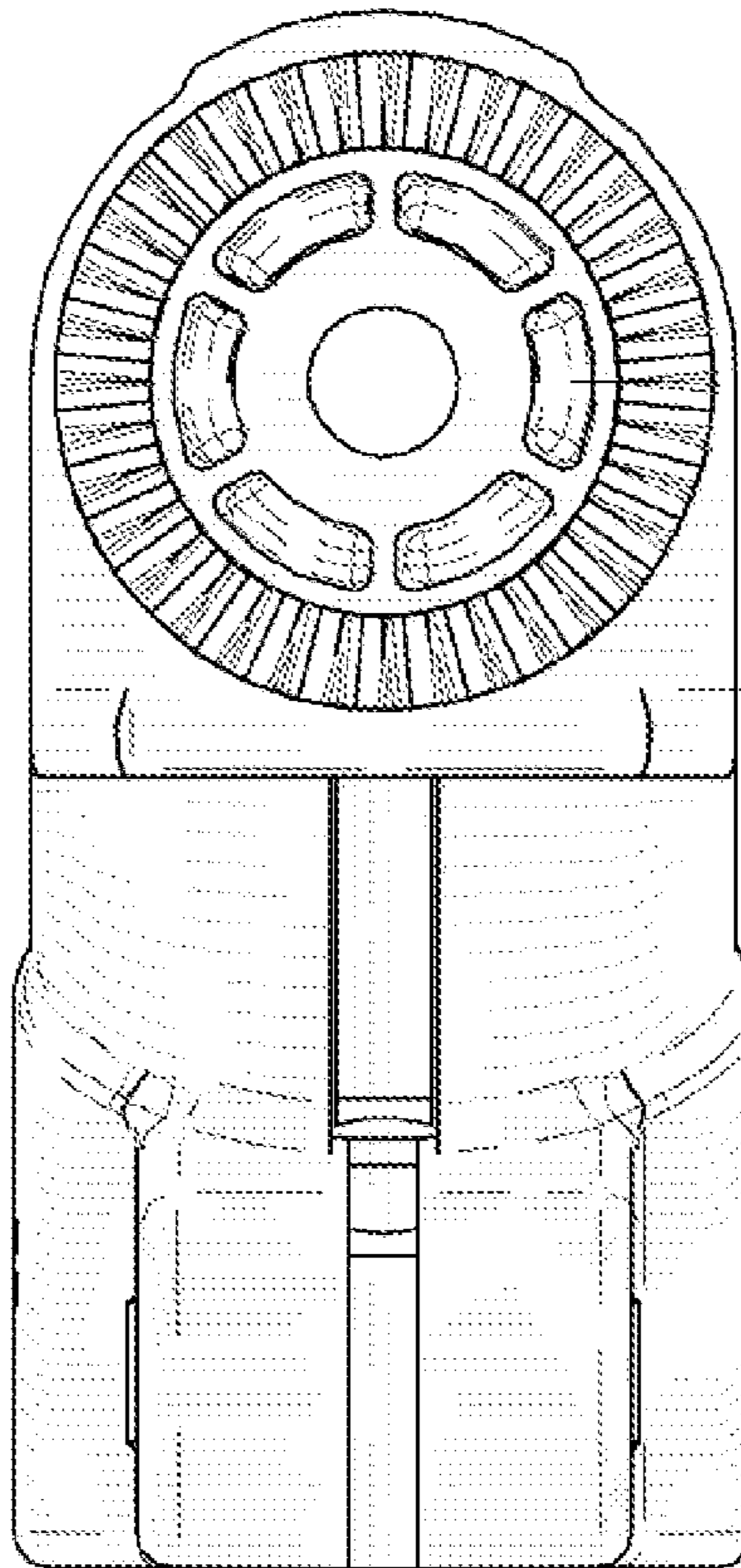
2.7



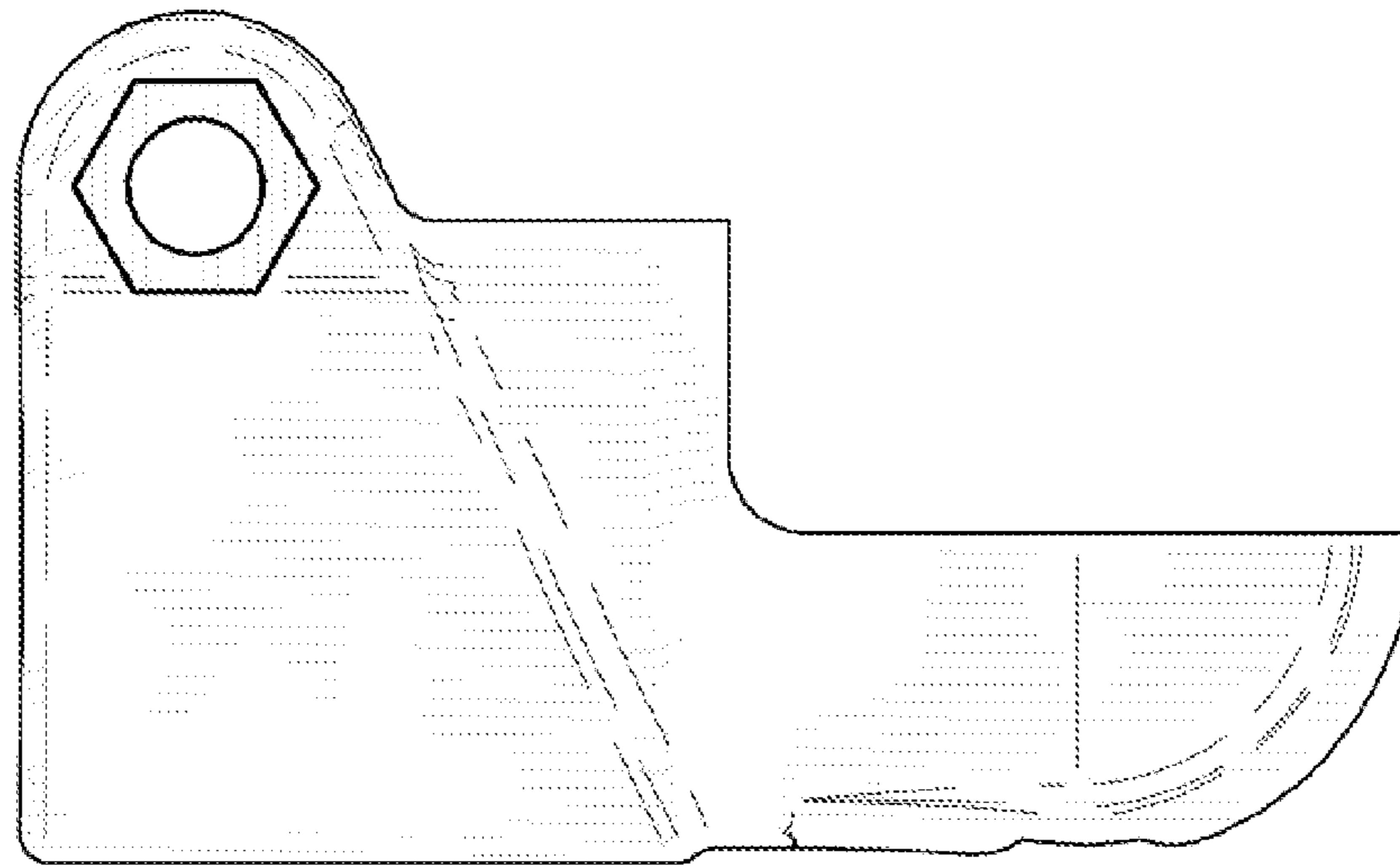
3.1



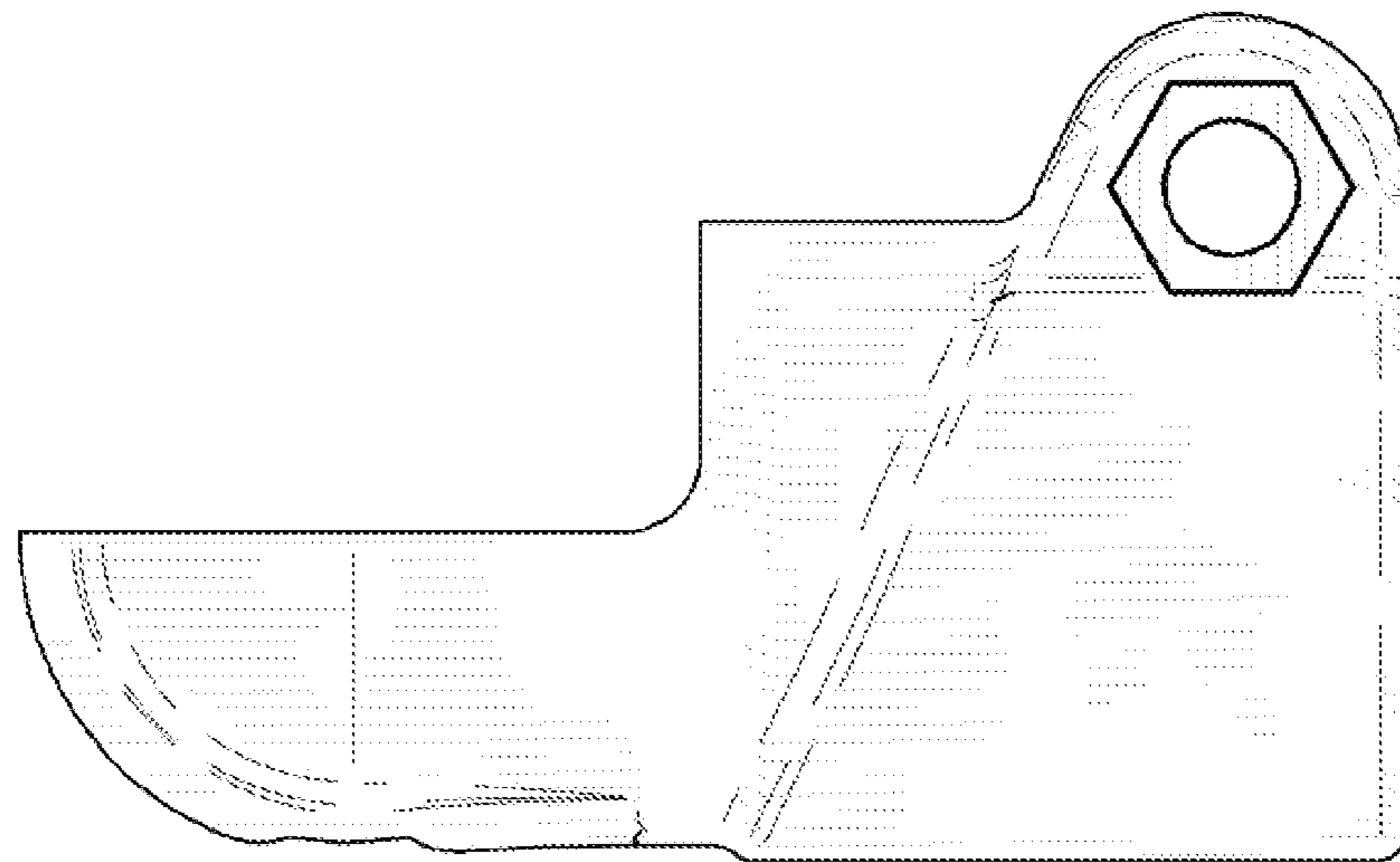
3.2



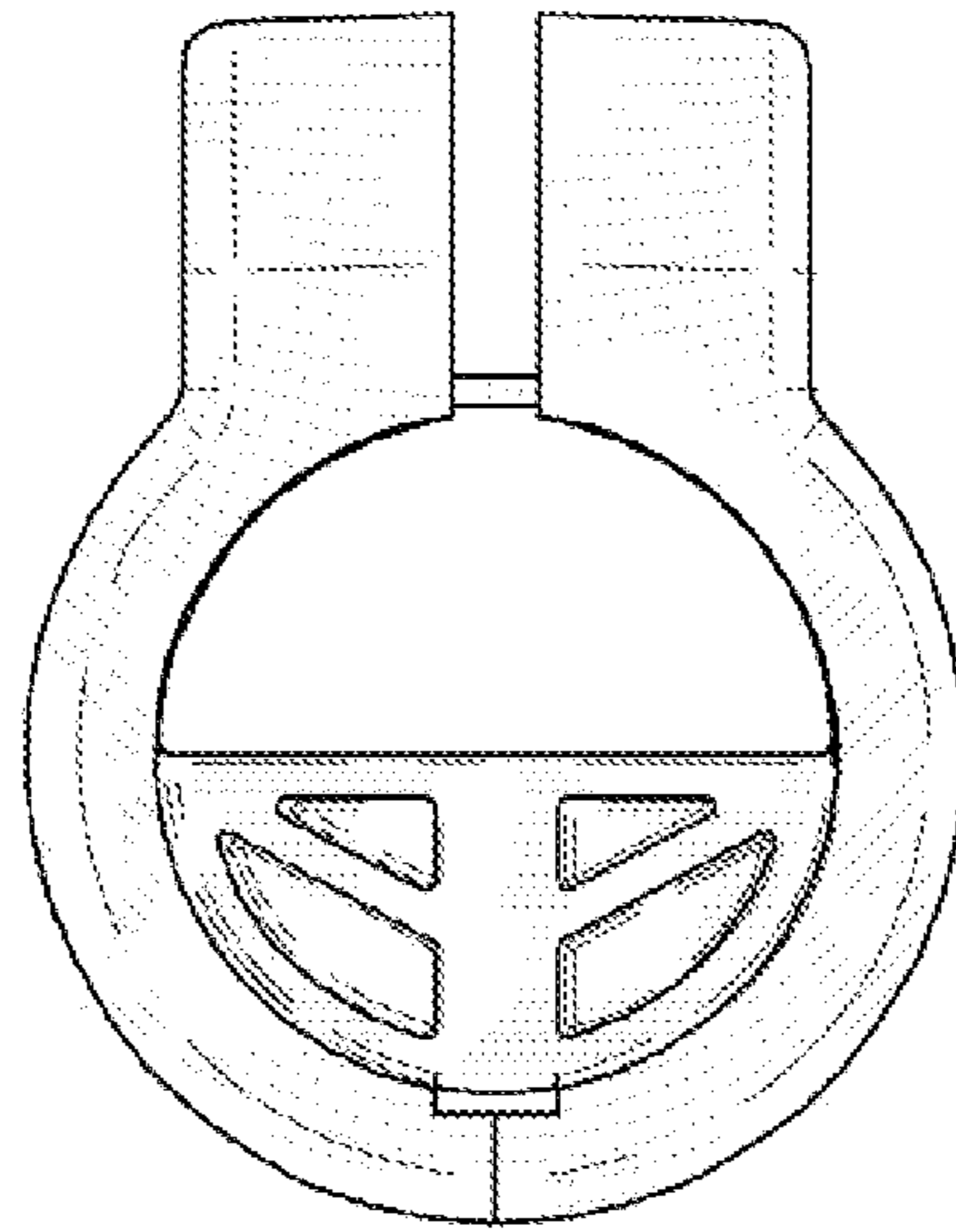
3.3



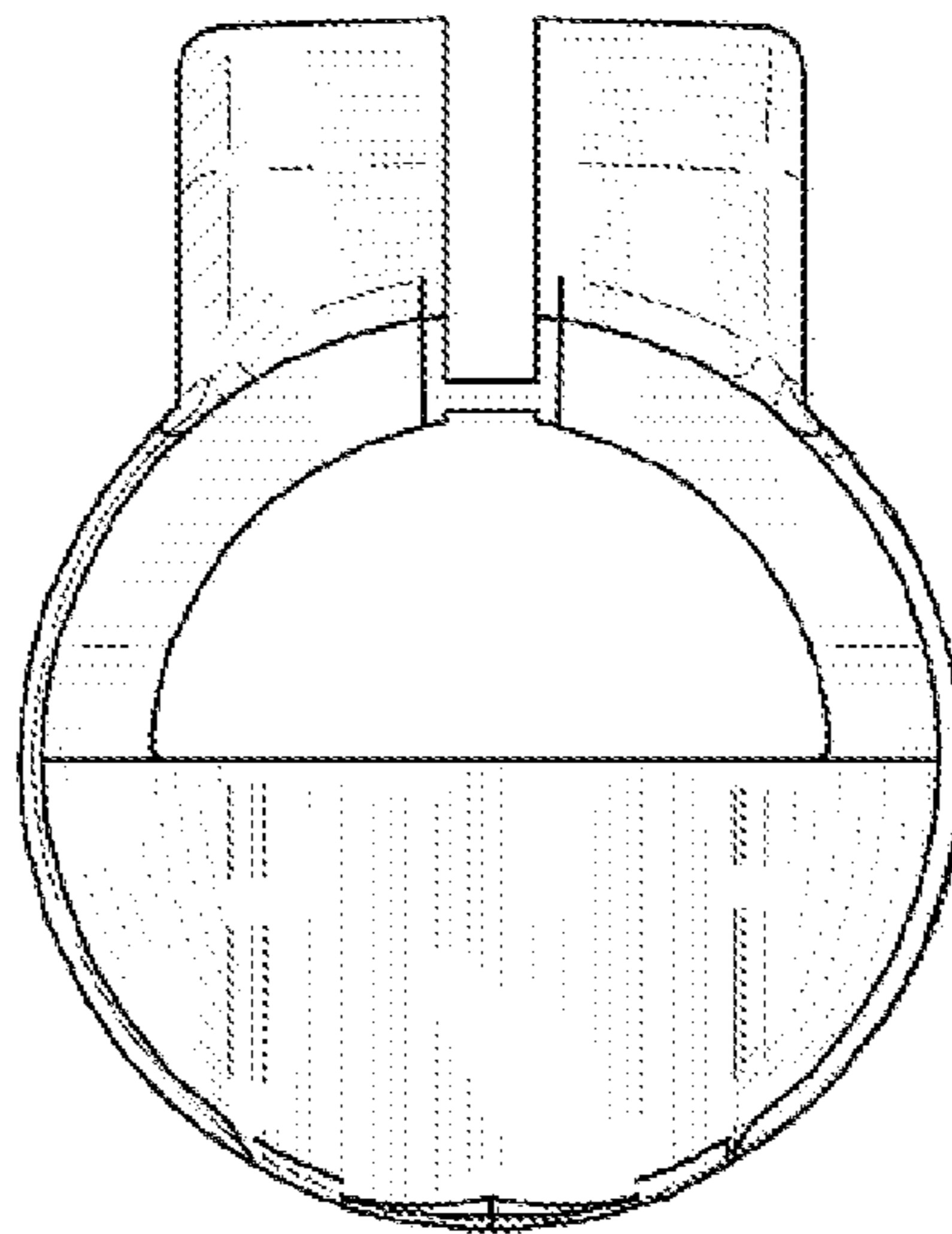
3.4



3.5



3.6



3.7

