



US00D976094S

(12) **United States Design Patent**  
**Nichols et al.**

(10) **Patent No.:** **US D976,094 S**  
(45) **Date of Patent:** **\*\* Jan. 24, 2023**

- (54) **ATTACHMENT STRAP**
- (71) Applicant: **Clinical Biotechnology Research Institute at RSFH**, Charleston, SC (US)
- (72) Inventors: **Jill Nichols**, North Charleston, SC (US); **Lauren McNeill**, Mt. Pleasant, SC (US); **Andrea H. Marshall**, Mt. Pleasant, SC (US)
- (\*\*) Term: **15 Years**
- (21) Appl. No.: **29/786,544**
- (22) Filed: **Jun. 1, 2021**  
**Related U.S. Application Data**
- (63) Continuation-in-part of application No. 16/665,927, filed on Oct. 28, 2019, now Pat. No. 11,020,264, which is a continuation-in-part of application No. 15/898,630, filed on Feb. 18, 2018, now Pat. No. 10,456,520, which is a continuation-in-part of application No. 15/240,006, filed on Aug. 18, 2016, now Pat. No. 9,895,485.
- (51) **LOC (14) Cl.** ..... **08-08**
- (52) **U.S. Cl.**  
USPC ..... **D8/396**
- (58) **Field of Classification Search**  
USPC ..... D8/382, 383, 394, 396  
CPC B65D 63/00; B65D 63/1072; B65D 63/1063; B65D 63/1081; B65D 63/1045; B65D 2563/103; F16B 2/26; F16B 2/08; F16B 7/0493; F16B 5/0692; F16B 2/22; F16L 3/2332; F16L 3/2334; F16L 3/2338; Y10T 24/1498; Y10T 24/14; Y10T 24/141; Y10T 24/15; Y10T 24/153  
See application file for complete search history.

(56) **References Cited**

**U.S. PATENT DOCUMENTS**

- 3,994,048 A \* 11/1976 Rosenthal ..... A63C 11/025  
294/147
- 4,752,054 A \* 6/1988 Jonsson ..... H02G 11/003  
248/51

- 4,759,963 A \* 7/1988 Uso, Jr. .... A01K 97/08  
24/17 AP
- 4,874,151 A \* 10/1989 Fritz ..... G05G 5/06  
24/306
- 4,898,542 A \* 2/1990 Jones, Jr. .... B65D 63/1027  
385/136
- 5,042,113 A \* 8/1991 Severson ..... H02G 1/00  
24/30.5 P
- 5,104,335 A \* 4/1992 Conley ..... H01R 13/6392  
439/373

(Continued)

**FOREIGN PATENT DOCUMENTS**

- CN 303156874 \* 4/2015
- GB 6209152 \* 5/2022

(Continued)

*Primary Examiner* — Sheryl Lane  
*Assistant Examiner* — Ieisha N Price  
(74) *Attorney, Agent, or Firm* — Gregory Finch; Finch Paolino, LLC

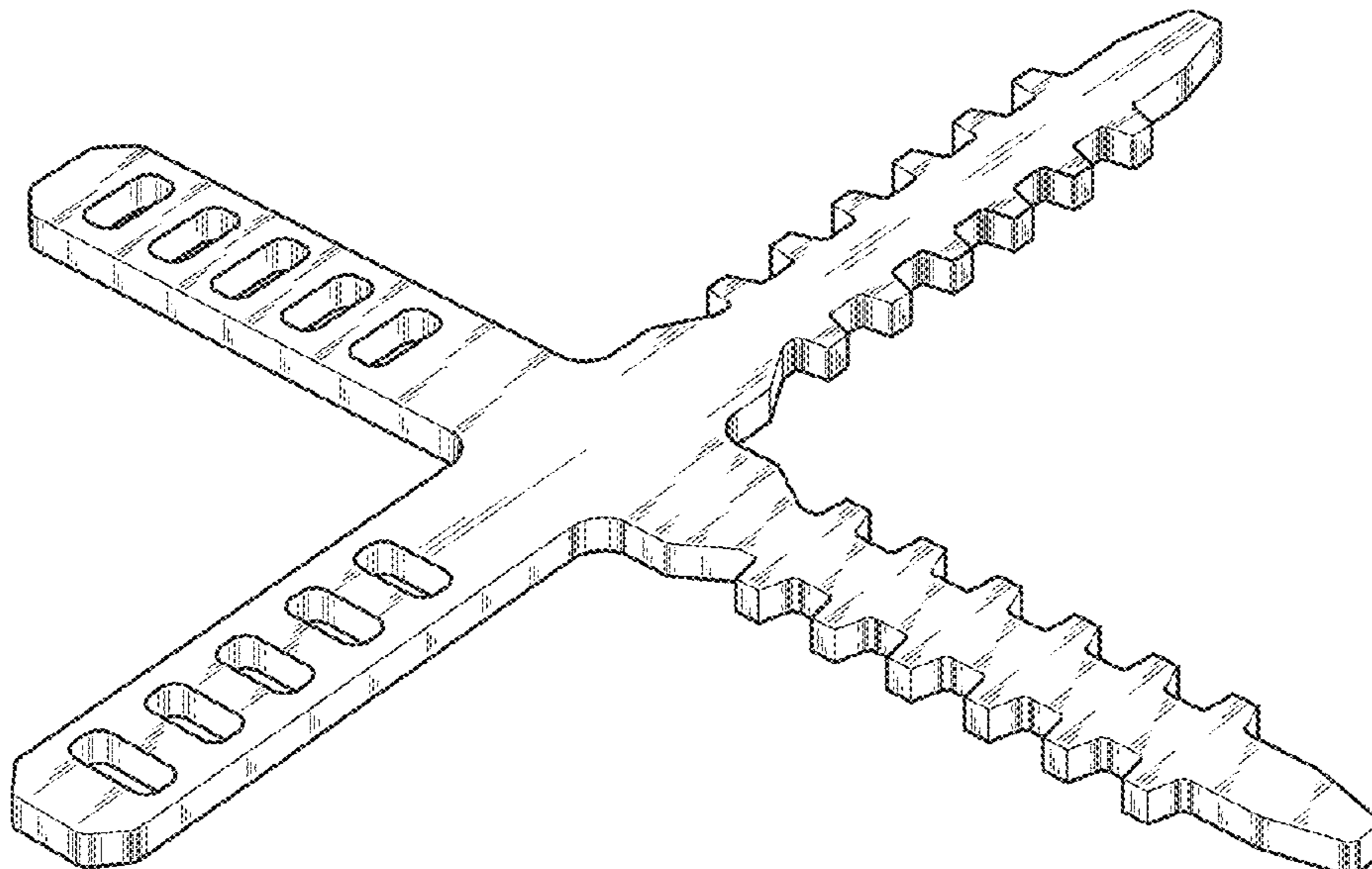
(57) **CLAIM**

The ornamental design for an attachment strap, as shown and described.

**DESCRIPTION**

FIG. 1 is an isometric view of an attachment strap, embodying the present design;  
FIG. 2 is a front side view thereof;  
FIG. 3 is a rear side view thereof;  
FIG. 4 is a right side view thereof;  
FIG. 5 is a left side view thereof;  
FIG. 6 is a top plan view thereof; and,  
FIG. 7 is a bottom plan view thereof.

**1 Claim, 7 Drawing Sheets**



(56)

References Cited

U.S. PATENT DOCUMENTS

5,174,483 A \* 12/1992 Moore, IV ..... A45F 5/02  
 224/675  
 D368,649 S \* 4/1996 Smartnick ..... D8/356  
 D374,815 S \* 10/1996 Snow ..... D8/394  
 5,715,578 A \* 2/1998 Knudson ..... B65D 63/10  
 24/17 AP  
 5,752,848 A \* 5/1998 Youngmark ..... H01R 13/6392  
 24/129 R  
 D413,255 S \* 8/1999 Alberding ..... D8/396  
 6,119,314 A \* 9/2000 Freed ..... B65D 63/1063  
 24/17 AP  
 D495,999 S \* 9/2004 Lewis ..... D13/154  
 6,842,948 B2 \* 1/2005 Smith ..... F16L 3/233  
 24/30.5 R  
 6,896,458 B1 \* 5/2005 Romero ..... B60P 7/0823  
 410/97  
 6,997,734 B1 \* 2/2006 McQuirter ..... H01R 13/6392  
 439/369  
 7,316,375 B2 \* 1/2008 Wakabayashi ..... F16L 3/2332  
 248/71  
 7,587,796 B1 \* 9/2009 Schultz ..... B65D 63/10  
 24/442  
 7,856,698 B2 \* 12/2010 Hays ..... B65D 63/109  
 24/129 R  
 D631,731 S \* 2/2011 Chen ..... D8/356  
 D658,047 S \* 4/2012 Mathews ..... D8/394  
 8,727,914 B2 \* 5/2014 Sells ..... A63B 69/0002  
 224/607  
 D714,631 S \* 10/2014 Frydlewski ..... D8/394  
 D714,632 S \* 10/2014 Pando ..... D8/356  
 D720,207 S \* 12/2014 Fowler ..... D8/396  
 D729,054 S \* 5/2015 Chen ..... D8/356  
 9,108,779 B1 \* 8/2015 Pando ..... F16L 3/137  
 9,266,654 B1 \* 2/2016 Scott ..... B65D 63/1063

9,302,606 B2 \* 4/2016 Danze ..... B60P 7/0823  
 9,386,824 B1 \* 7/2016 Schultz ..... A44B 18/0019  
 9,425,553 B2 \* 8/2016 Brown ..... H01R 13/6392  
 D789,190 S \* 6/2017 Vermillion ..... D8/396  
 9,682,807 B1 \* 6/2017 Lidey ..... F16L 37/02  
 D815,735 S \* 4/2018 Aliberti ..... D8/396  
 D848,615 S \* 5/2019 McNeill ..... D24/128  
 D848,616 S \* 5/2019 McNeill ..... D24/128  
 D871,893 S \* 1/2020 Boyle ..... D8/356  
 10,641,416 B2 \* 5/2020 Shinba ..... F16L 3/233  
 D890,337 S \* 7/2020 Harders ..... D24/143  
 D890,338 S \* 7/2020 Harders ..... D12/128  
 D894,722 S \* 9/2020 Stacey ..... D8/382  
 11,020,264 B2 \* 6/2021 McNeill ..... F16B 2/08  
 11,266,813 B2 \* 3/2022 Harders ..... F16L 3/137  
 11,383,905 B2 \* 7/2022 Hagiwara ..... F16B 2/08  
 2003/0041417 A1 \* 3/2003 Smith ..... F16L 3/233  
 24/16 R  
 2003/0226686 A1 \* 12/2003 Ito ..... B60R 16/0215  
 174/135  
 2008/0276432 A1 \* 11/2008 McNeill ..... B65D 63/1027  
 24/16 PB  
 2013/0026316 A1 \* 1/2013 Case ..... B29C 45/14565  
 248/302  
 2014/0096344 A1 \* 4/2014 Creao ..... B65D 85/04  
 24/16 PB  
 2016/0340093 A1 \* 11/2016 Müller ..... B65D 63/00  
 2017/0219127 A1 \* 8/2017 Vermillion ..... F16B 2/22  
 2020/0331676 A1 \* 10/2020 Hagiwara ..... F16B 2/08  
 2022/0128176 A1 \* 4/2022 Host ..... H02G 3/32

FOREIGN PATENT DOCUMENTS

JP D1576309 \* 5/2017  
 KR 301112869.0000 \* 6/2021  
 NZ 423046-0001 \* 6/2017

\* cited by examiner

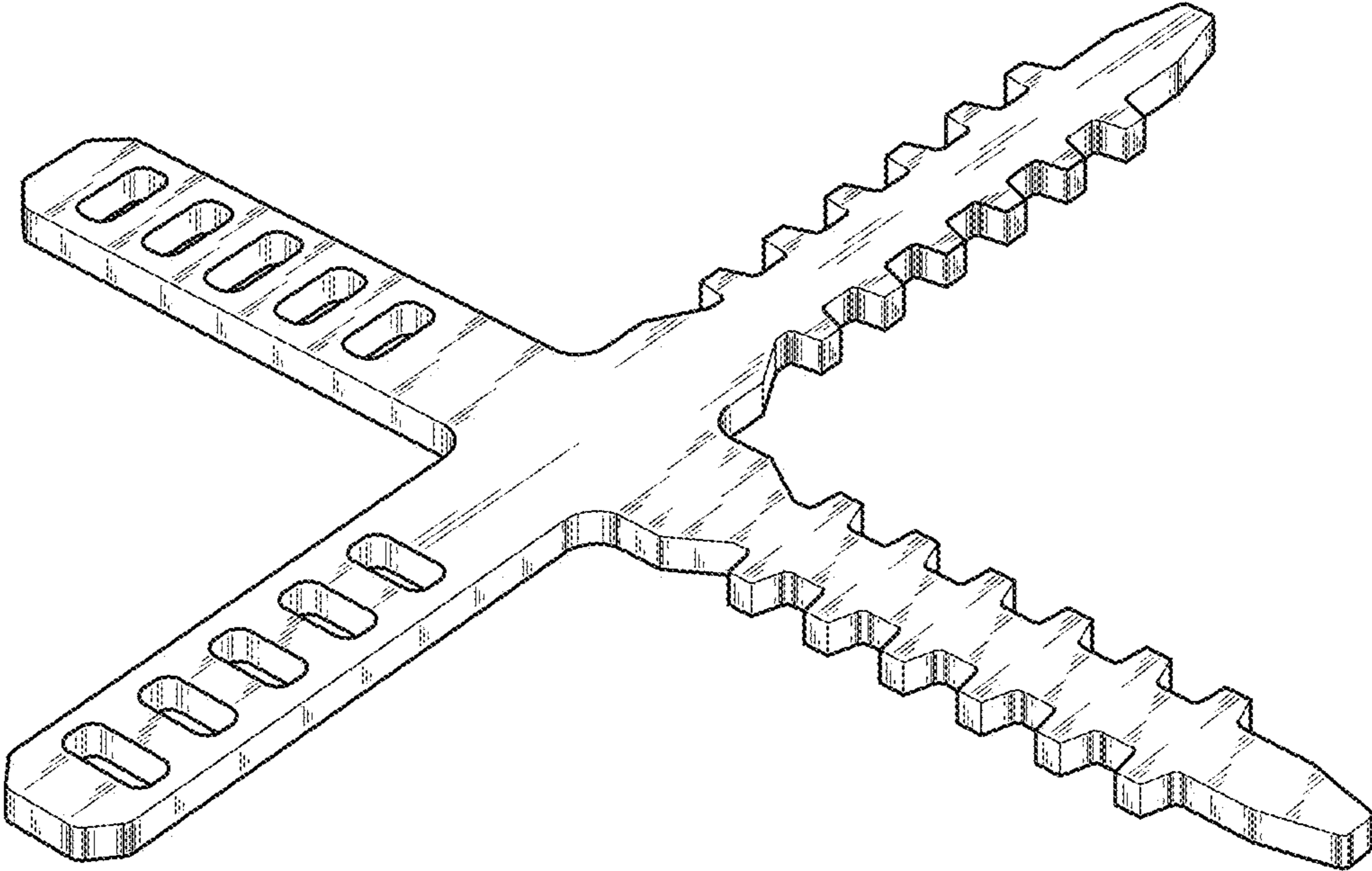


Fig. 1

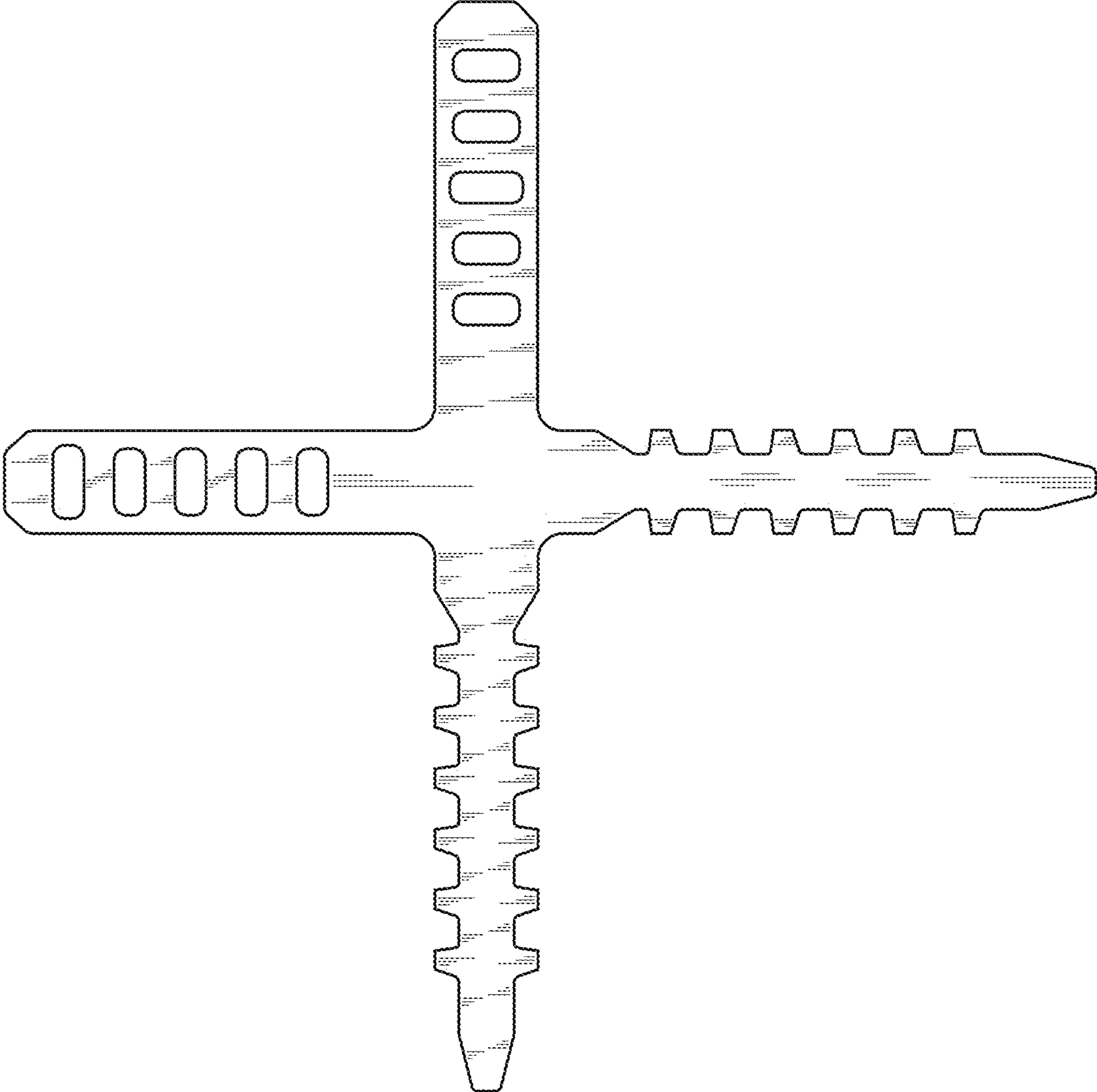


Fig. 2



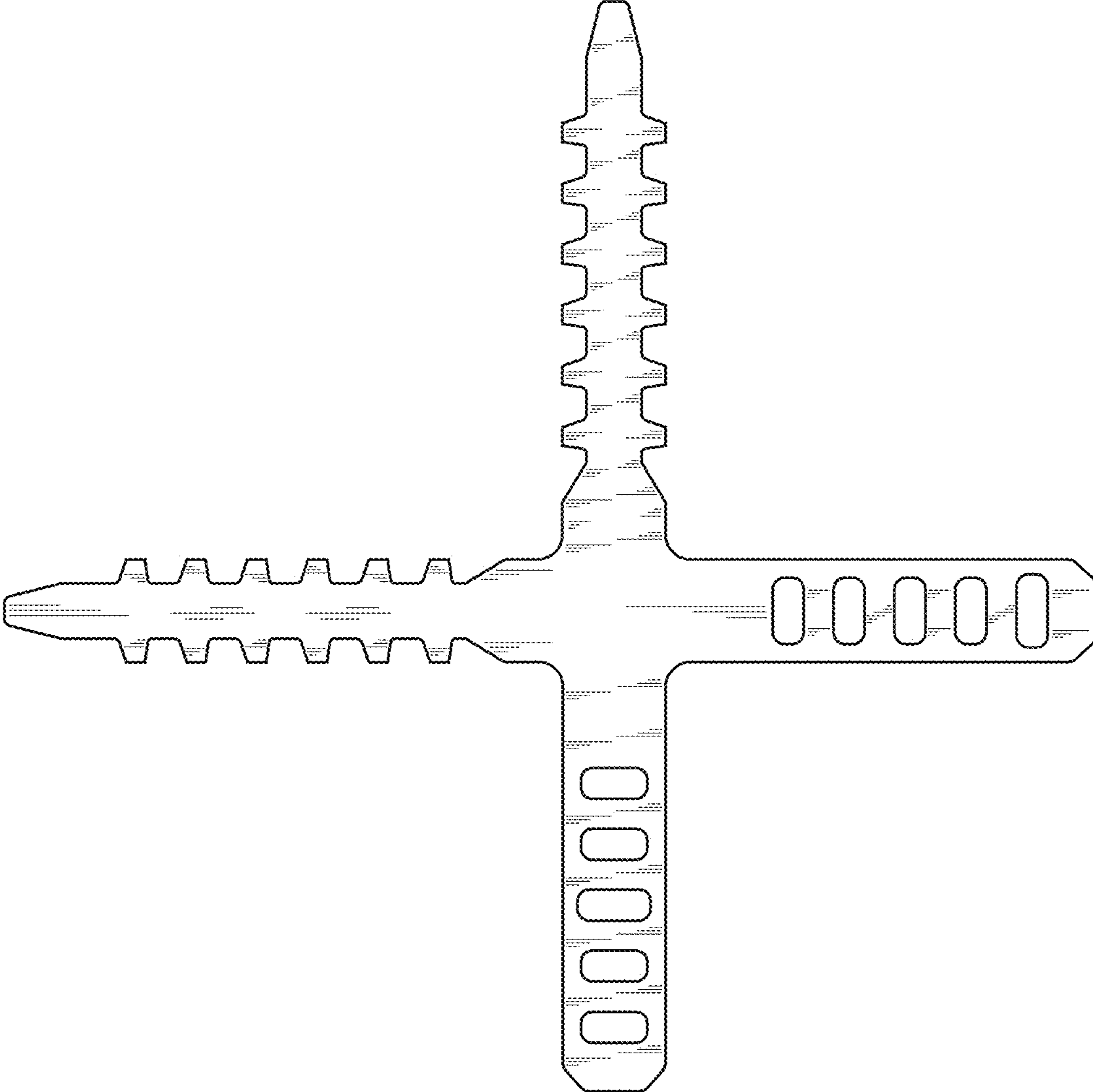


Fig. 3



Fig. 4



Fig. 5



Fig. 6





Fig. 7