



US00D976093S

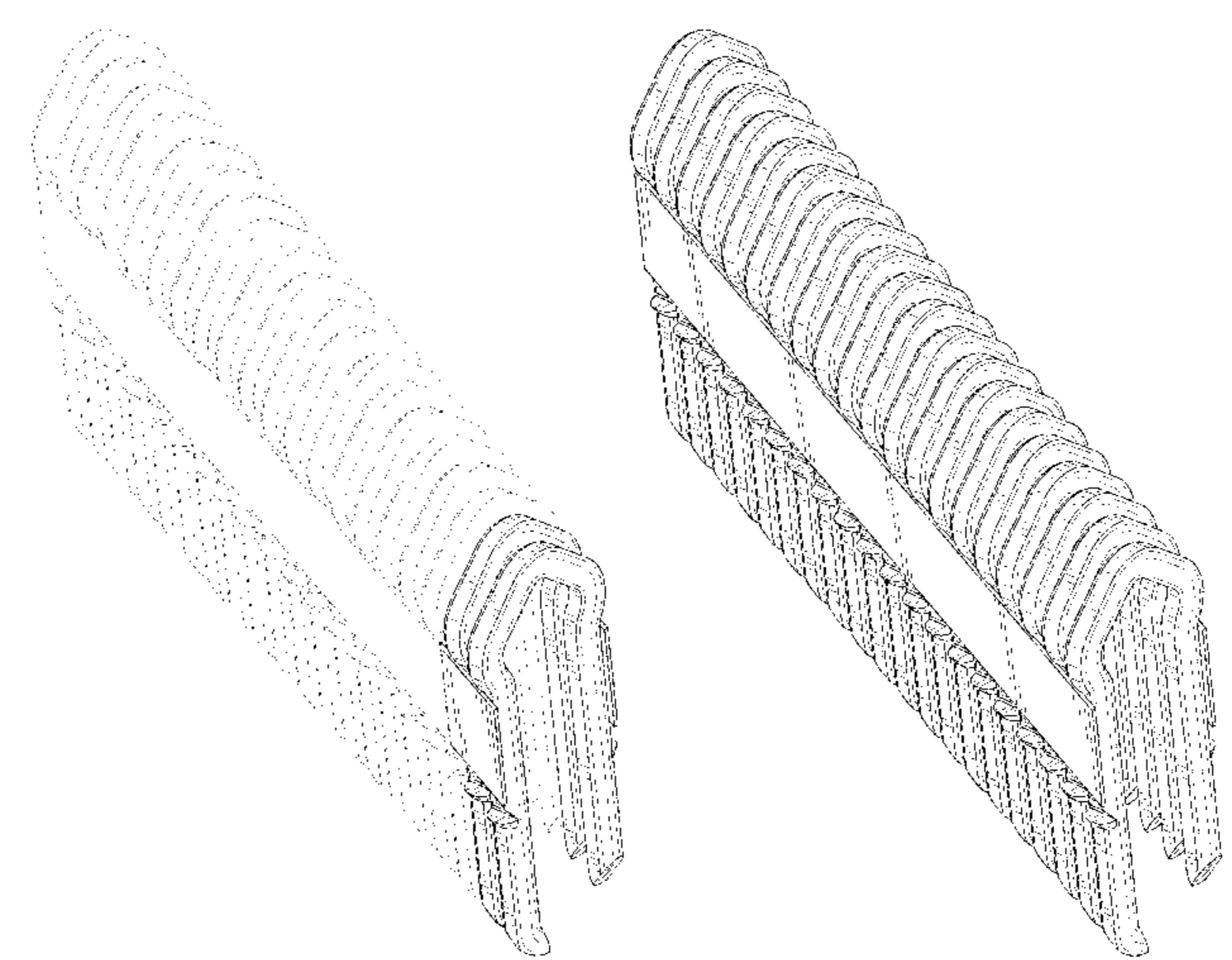
(12) **United States Design Patent**  
**Koper et al.**

(10) **Patent No.:** **US D976,093 S**  
(45) **Date of Patent:** **\*\* Jan. 24, 2023**

- (54) **STAPLE COLLATION**
- (71) Applicant: **MILWAUKEE ELECTRIC TOOL CORPORATION**, Brookfield, WI (US)
- (72) Inventors: **David S. Koper**, Milwaukee, WI (US);  
**Nathan Bandy**, Wauwatosa, WI (US);  
**Andrew R. Wyler**, Pewaukee, WI (US)
- (73) Assignee: **MILWAUKEE ELECTRIC TOOL CORPORATION**, Brookfield, WI (US)
- (\*\*) Term: **15 Years**
- (21) Appl. No.: **29/751,519**
- (22) Filed: **Sep. 22, 2020**
- (51) **LOC (14) Cl.** ..... **08-08**
- (52) **U.S. Cl.**  
USPC ..... **D8/390**
- (58) **Field of Classification Search**  
USPC ..... D8/390, 389; D24/145  
CPC ..... F16B 15/0007; F16B 15/0015; F16B  
15/0092; F16B 15/06; F16B 15/08  
See application file for complete search history.

1,543,764 A	6/1925	Garford	
2,033,613 A	3/1936	Crosby	
2,067,359 A	1/1937	Tumminello	
2,111,404 A	3/1938	Pankonin	
2,122,814 A	7/1938	Hansen	
2,140,593 A	12/1938	Pankonin	
2,275,683 A	3/1942	Rutledge	
2,283,814 A	5/1942	Place	
2,433,914 A	1/1948	Lang	
2,528,685 A	11/1950	Brown	
2,641,154 A	6/1953	Heller	
2,867,807 A	1/1959	Anstett	
3,128,667 A	4/1964	Tremblay	
3,510,043 A	5/1970	Larson	
3,611,708 A	10/1971	Moore et al.	
3,618,447 A	11/1971	Goins	
3,757,629 A	9/1973	Scheider	
3,788,187 A	1/1974	Knohl	
3,800,653 A	4/1974	Barth et al.	
3,800,654 A	4/1974	Larson	
3,811,269 A	5/1974	Larson	
3,813,985 A	6/1974	Perkins	
3,840,165 A	10/1974	Howard	
3,855,688 A	12/1974	Knohl	
3,871,152 A	3/1975	Lindeman	
3,874,263 A	4/1975	Barth et al.	
3,945,293 A	3/1976	Krol	
3,969,975 A	7/1976	Krol	
4,014,244 A	3/1977	Larson	
4,114,859 A *	9/1978	Stenson	F16B 45/00 256/48
4,220,070 A	9/1980	Anstett	
4,263,830 A	4/1981	Burstrom	
4,265,160 A	5/1981	Martinez	
4,454,875 A	6/1984	Pratt et al.	
4,470,531 A	9/1984	Anstett	
4,570,623 A	2/1986	Ellison et al.	
4,621,758 A	11/1986	Anstett	
4,697,045 A	9/1987	Beatty	
4,724,839 A	2/1988	Bedi et al.	
D298,916 S *	12/1988	Beatty	D8/390
4,836,372 A	6/1989	Shelton	
5,053,038 A	10/1991	Sheehan	
5,058,315 A	10/1991	Wagner	
5,137,112 A	8/1992	Nichols	
5,140,715 A	8/1992	Monacelli	
5,211,722 A	5/1993	Wagner	
5,223,675 A *	6/1993	Taft	H02G 3/26 174/159
5,441,373 A	8/1995	Kish et al.	
D397,929 S *	9/1998	Stridh	D8/390
D402,540 S *	12/1998	Stridh	D8/390
5,884,829 A	3/1999	Wingert	

- (56) **References Cited**
- U.S. PATENT DOCUMENTS**
- 19,747 A \* 3/1858 Boardman ..... F16B 15/0015  
411/457
- 54,283 A \* 5/1866 Byron ..... F16B 15/06  
411/452
- 274,481 A \* 3/1883 Frost ..... F16B 15/0015  
411/471
- D30,896 S \* 5/1899 La Prelle ..... D8/390
- 957,756 A 5/1910 Emanuel
- 1,201,559 A \* 10/1916 Columbia ..... F16B 15/0015  
411/471
- 1,217,968 A \* 3/1917 Lot ..... F16B 15/0015  
411/475
- 1,310,908 A \* 7/1919 Gilbert ..... F16B 15/0015  
411/471
- 1,311,903 A 8/1919 Leschander
- 1,478,932 A 12/1923 Wetz et al.
- 1,510,360 A 9/1924 Rijmenam



6,071,053	A	6/2000	Kuhns	
6,095,737	A	8/2000	Barker et al.	
6,126,372	A	10/2000	Takata	
6,386,811	B2	5/2002	Almeras et al.	
6,554,852	B1	4/2003	Oberlander	
D484,032	S *	12/2003	Del Re .....	D8/390
6,915,937	B2	7/2005	Lat et al.	
6,957,756	B2	10/2005	Lat et al.	
7,104,741	B2	9/2006	Krohn	
7,108,709	B2	9/2006	Cummins	
D572,363	S *	7/2008	Menn .....	D24/145
7,794,475	B2	9/2010	Hess et al.	
7,887,563	B2	2/2011	Cummins	
7,918,374	B2	4/2011	Gardner et al.	
7,918,873	B2	4/2011	Cummins	
8,007,512	B2	8/2011	Ginn et al.	
8,083,454	B2	12/2011	Doole	
8,109,386	B2	2/2012	Krohn	
8,523,506	B2	9/2013	MacDonald et al.	
8,679,123	B2	3/2014	Kinmon et al.	
8,728,099	B2	5/2014	Cohn et al.	
8,728,119	B2	5/2014	Cummins	
8,729,098	B2	5/2014	Daniel et al.	
8,808,325	B2	8/2014	Hess et al.	
8,888,826	B2	11/2014	Kinmon et al.	
8,894,669	B2	11/2014	Nering et al.	
9,055,945	B2	6/2015	Miksza et al.	
9,107,661	B2	8/2015	Euteneuer et al.	
9,121,427	B2	9/2015	Young	
9,125,650	B2	9/2015	Euteneuer et al.	
9,657,761	B2	5/2017	Yang et al.	
9,796,072	B2	10/2017	Young	
10,130,359	B2	11/2018	Hess et al.	
10,443,642	B2	10/2019	Smeaton et al.	
D871,199	S *	12/2019	Parker .....	D8/390
10,563,685	B2	2/2020	Tao	
2003/0021655	A1	1/2003	Correll et al.	
2004/0250505	A1 *	12/2004	Leek .....	E04F 15/04 52/747.1
2004/0262461	A1	12/2004	Del Re et al.	
2005/0145666	A1	7/2005	Lat et al.	
2007/0160443	A1	7/2007	Tseng	
2008/0179371	A1	7/2008	Gardner et al.	
2010/0077572	A1 *	4/2010	Krohn .....	F16B 15/0015 24/335
2010/0312275	A1	12/2010	Euteneuer et al.	
2011/0079627	A1	4/2011	Cardinale et al.	
2013/0153628	A1	6/2013	Euteneuer	
2015/0036949	A1	2/2015	Lasagna et al.	
2015/0063940	A1	3/2015	Marczynski	
2015/0063949	A1 *	3/2015	Young .....	B25C 5/16 411/442
2017/0051773	A1 *	2/2017	Yang .....	F16B 15/0015
2018/0347610	A1 *	12/2018	Zuk .....	E01C 11/18
2019/0120271	A1	4/2019	Parker et al.	
2022/0090618	A1 *	3/2022	Koper .....	F16B 15/0015

FOREIGN PATENT DOCUMENTS

CN	207892959	U	9/2018
CN	208734685	U	4/2019
CN	306728065	*	9/2021
DE	1930490	A1	12/1970
DE	2356883	A1	5/1974
DE	8612162	U1	6/1986
DE	423645	A1	1/1993
DE	10109962	A1	9/2002
DE	10358442	A1	7/2005
DE	202005008988	U1	5/2006
DE	102011013292	A1	9/2012
DE	2020130063262	U1	8/2013
DE	202014000807	U1	3/2014
DE	102013011804	A1	1/2015
EP	0798503	A2	10/1997
EP	1364750	A2	11/2003
EP	2400197	A1	12/2011
GB	6158683	*	9/2021

WO	8800168	A1	1/1988
WO	2012169734	A2	12/2012
WO	2019067776	A1	4/2019

OTHER PUBLICATIONS

International Search Report and Written Opinion for Application No. PCT/US2021/051541 dated Jan. 5, 2022 (11 pages).

\* cited by examiner

*Primary Examiner* — Sheryl Lane

*Assistant Examiner* — Ieisha N Price

(74) *Attorney, Agent, or Firm* — Michael Best & Friedrich LLP

(57) CLAIM

We claim the ornamental design for a staple collation, as shown and described.

DESCRIPTION

FIG. 1 is a front perspective view of a staple collation in accordance with a first embodiment of the present invention. FIG. 2 is a front view of the staple collation of FIG. 1. FIG. 3 is a rear view of the staple collation of FIG. 1. FIG. 4 is a right-side view of the staple collation of FIG. 1. FIG. 5 is a left-side view of the staple collation of FIG. 1. FIG. 6 is a top view of the staple collation of FIG. 1. FIG. 7 is a bottom view of the staple collation of FIG. 1. FIG. 8 is a front perspective view of a staple collation in accordance with a second embodiment of the present invention. FIG. 9 is a front view of the staple collation of FIG. 8. FIG. 10 is a rear view of the staple collation of FIG. 8. FIG. 11 is a right-side view of the staple collation of FIG. 8. FIG. 12 is a left-side view of the staple collation of FIG. 8. FIG. 13 is a top view of the staple collation of FIG. 8. FIG. 14 is a bottom view of the staple collation of FIG. 8. FIG. 15 is a front perspective view of a staple collation in accordance with a third embodiment of the present invention. FIG. 16 is a front view of the staple collation of FIG. 15. FIG. 17 is a rear view of the staple collation of FIG. 15. FIG. 18 is a right-side view of the staple collation of FIG. 15. FIG. 19 is a left-side view of the staple collation of FIG. 15. FIG. 20 is a top view of the staple collation of FIG. 15. FIG. 21 is a bottom view of the staple collation of FIG. 15. FIG. 22 is a front perspective view of a staple collation in accordance with a fourth embodiment of the present invention. FIG. 23 is a front view of the staple collation of FIG. 22. FIG. 24 is a rear view of the staple collation of FIG. 22. FIG. 25 is a right-side view of the staple collation of FIG. 22. FIG. 26 is a left-side view of the staple collation of FIG. 22. FIG. 27 is a top view of the staple collation of FIG. 22. FIG. 28 is a bottom view of the staple collation of FIG. 22. FIG. 29 is a front perspective view of a staple collation in accordance with a fifth embodiment of the present invention. FIG. 30 is a front view of the staple collation of FIG. 29. FIG. 31 is a rear view of the staple collation of FIG. 29. FIG. 32 is a right-side view of the staple collation of FIG. 29. FIG. 33 is a left-side view of the staple collation of FIG. 29. FIG. 34 is a top view of the staple collation of FIG. 29. FIG. 35 is a bottom view of the staple collation of FIG. 29.

FIG. 36 is a front perspective view of a staple collation in accordance with a sixth embodiment of the present invention.

FIG. 37 is a front view of the staple collation of FIG. 36.

FIG. 38 is a rear view of the staple collation of FIG. 36.

FIG. 39 is a right-side view of the staple collation of FIG. 36.

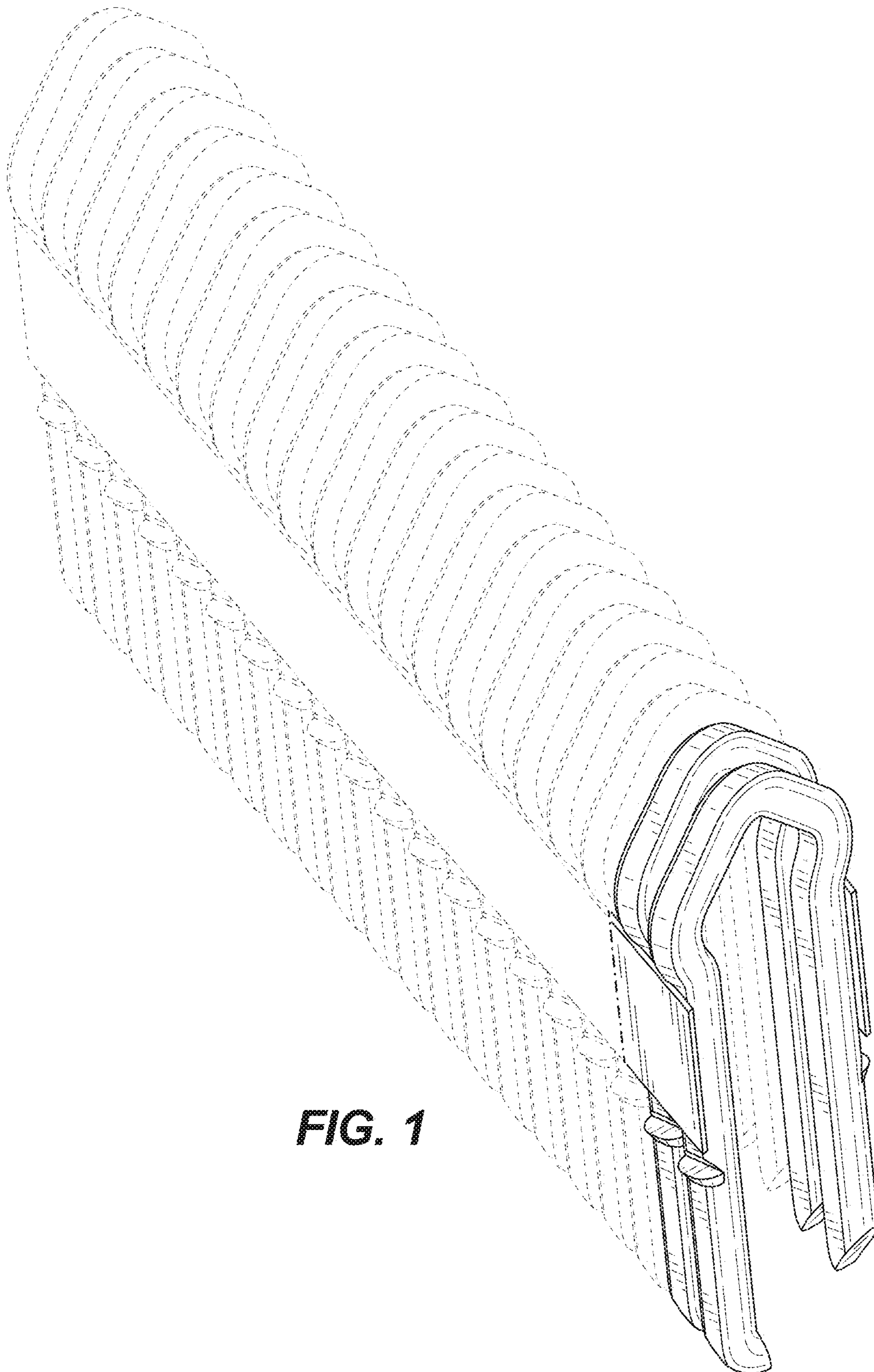
FIG. 40 is a left-side view of the staple collation of FIG. 36.

FIG. 41 is a top view of the staple collation of FIG. 36; and,

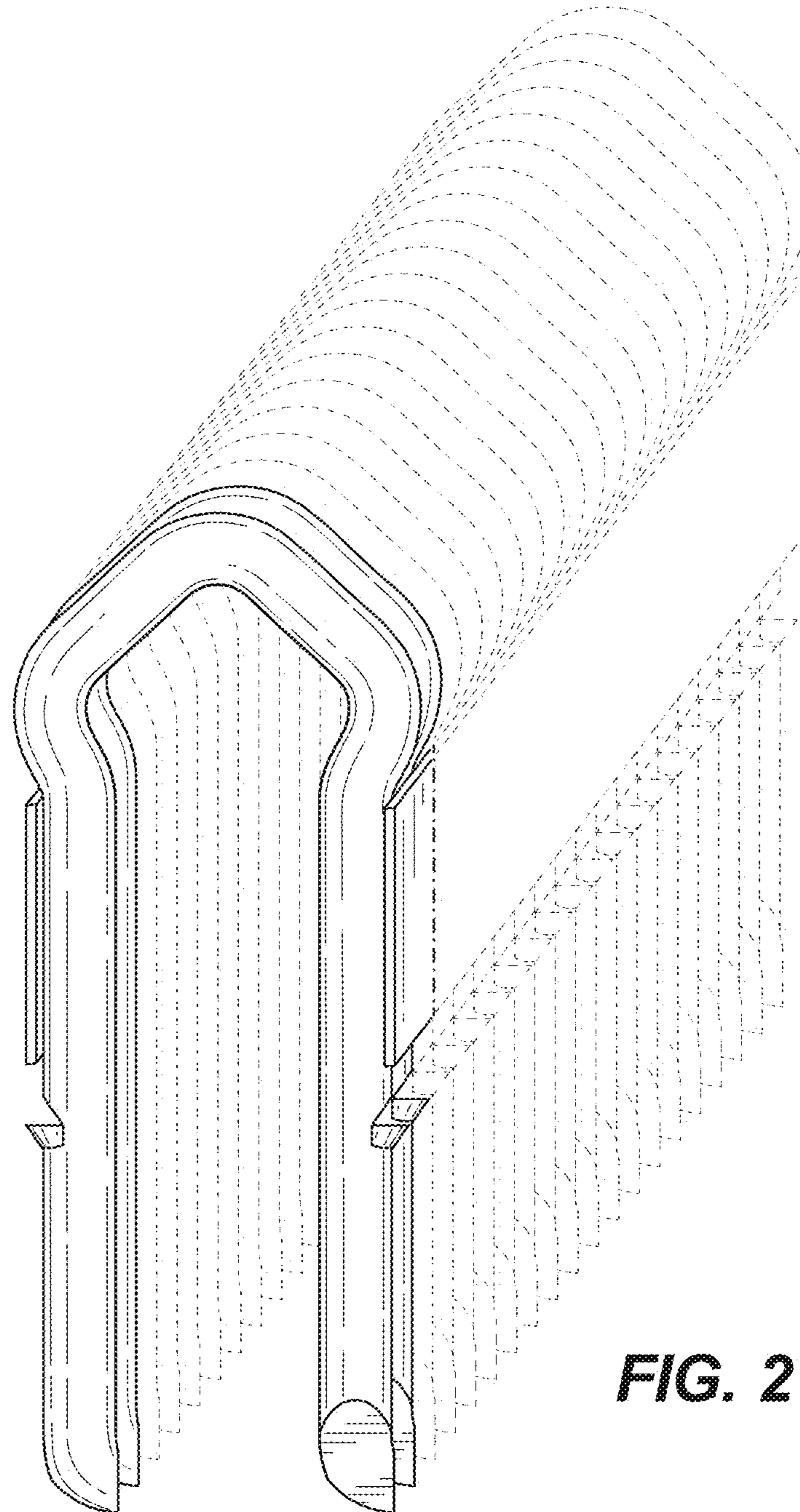
FIG. 42 is a bottom view of the staple collation of FIG. 36.

The broken lines in the drawings illustrate portions of the staple collation and form no part of the claimed design. The dot-dash-dot broken lines in the drawings define the bounds of the claim and form no part thereof.

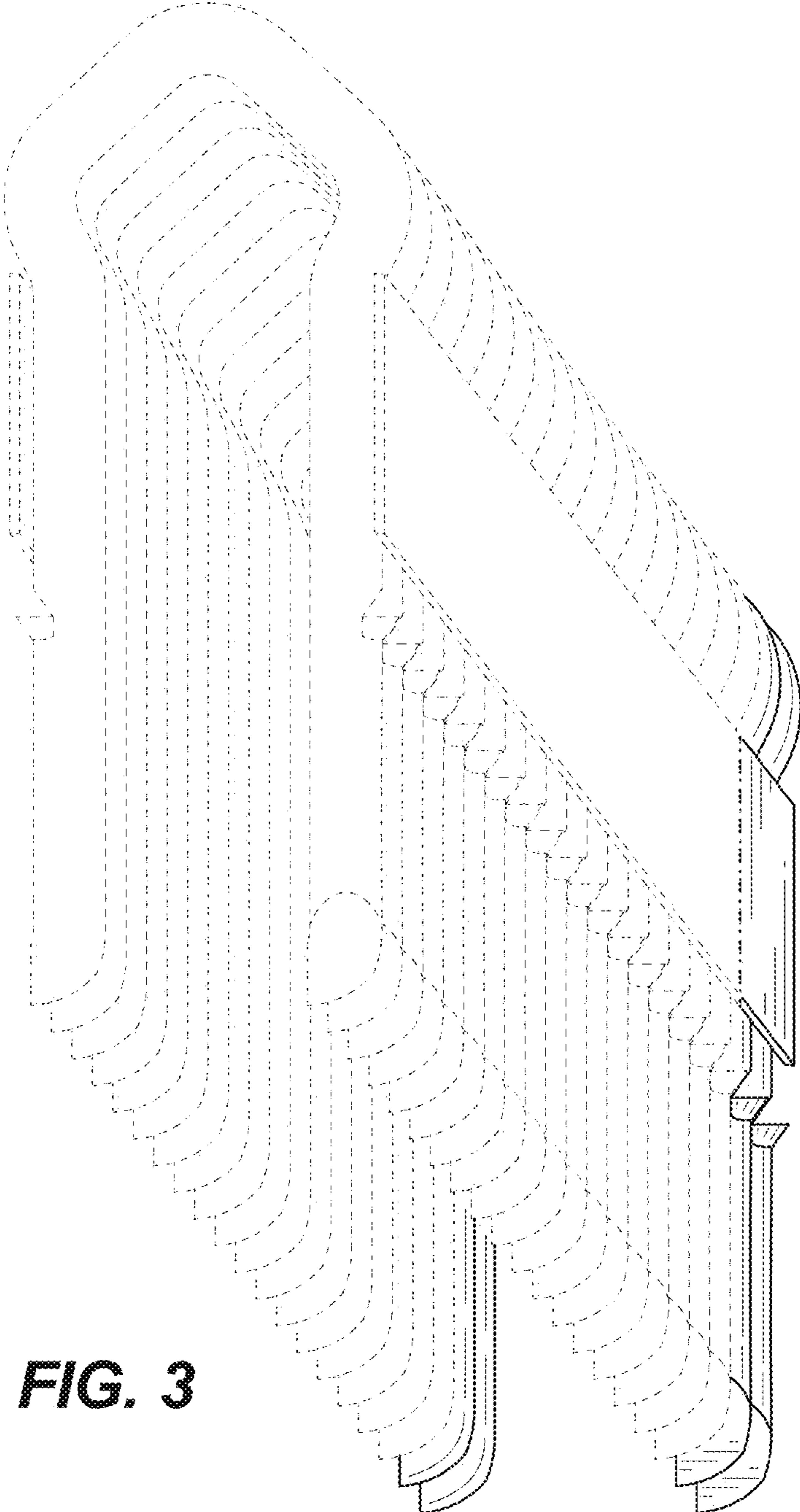
**1 Claim, 36 Drawing Sheets**



**FIG. 1**



**FIG. 2**



**FIG. 3**

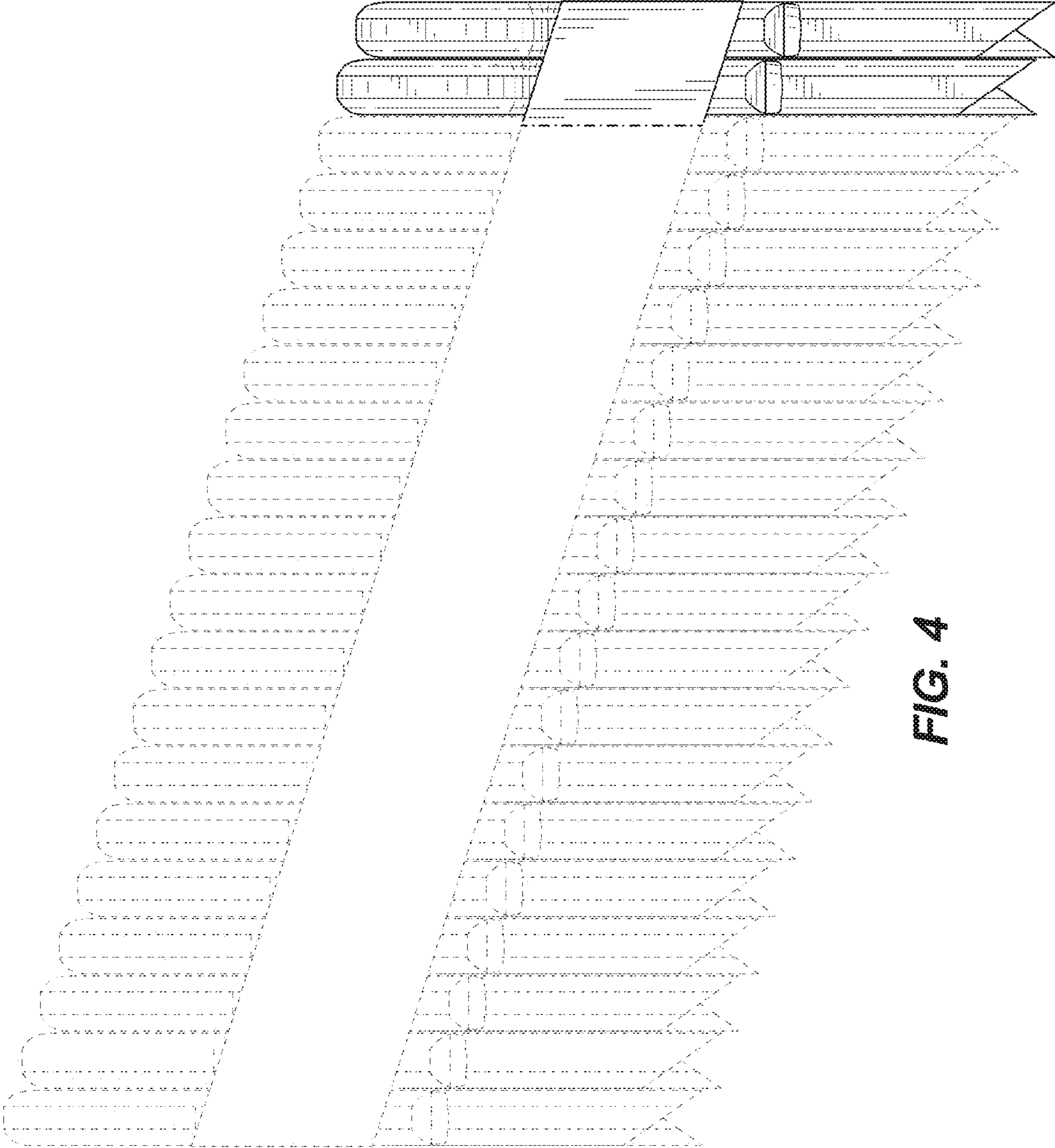


FIG. 4

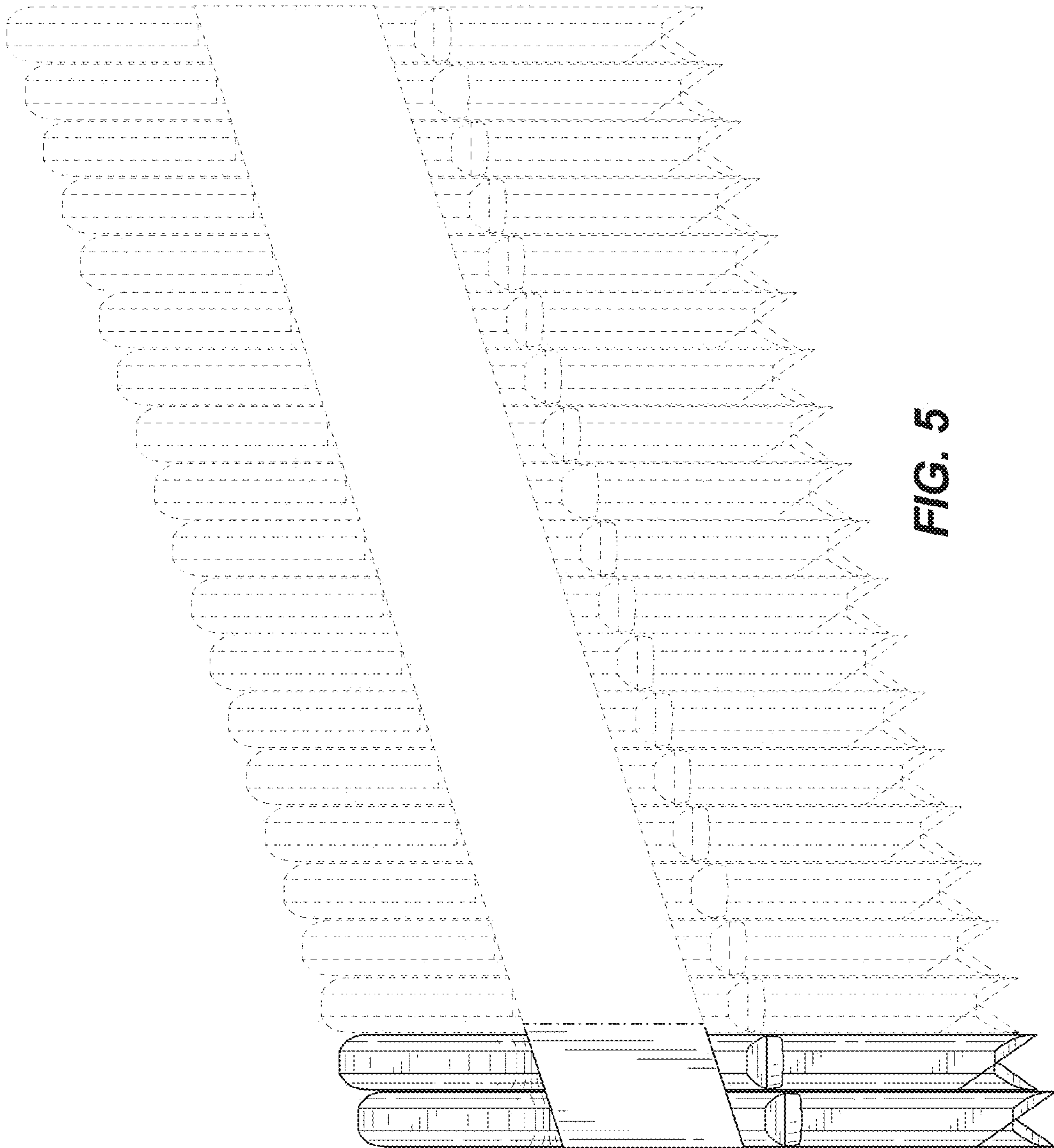
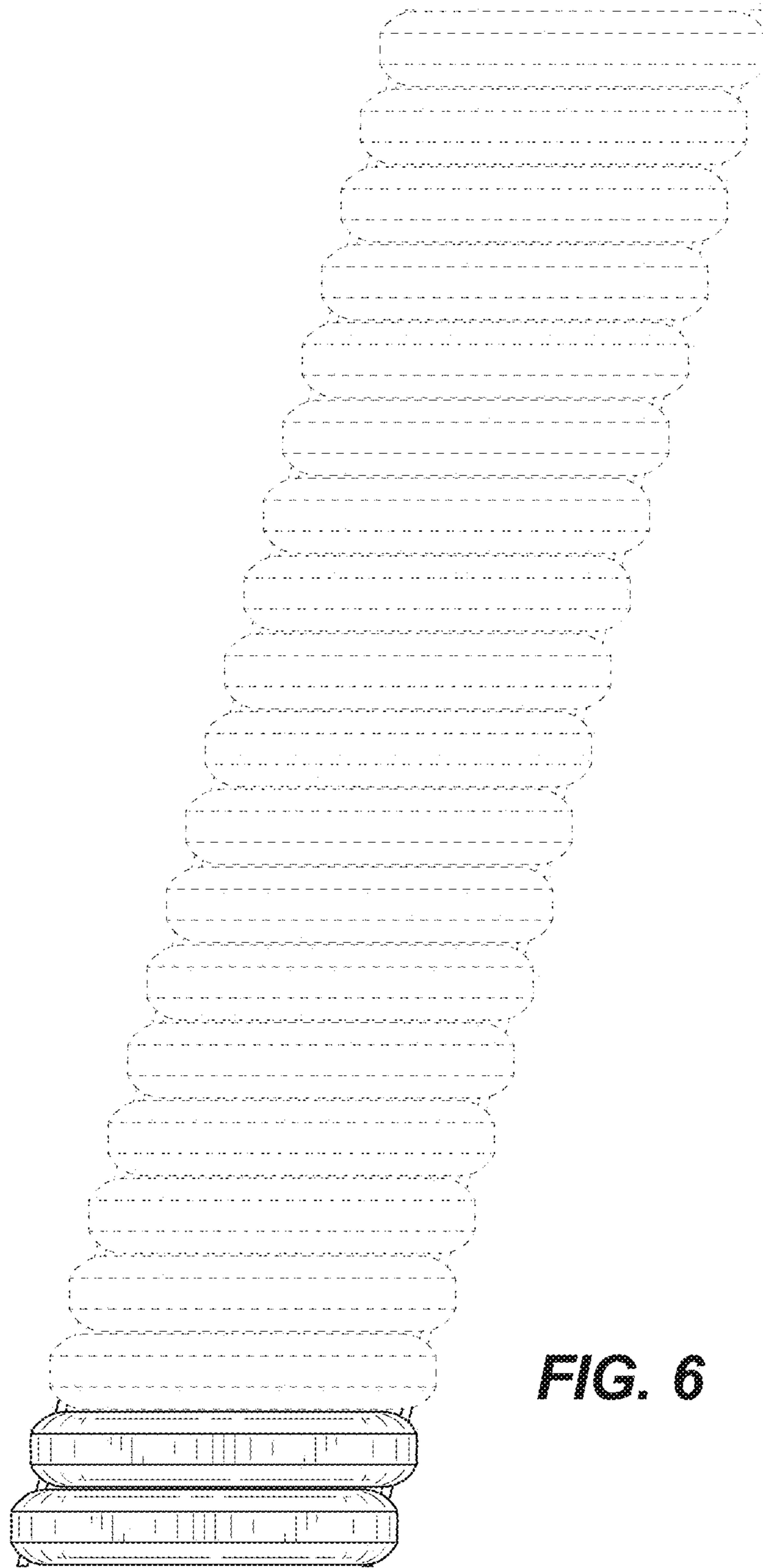
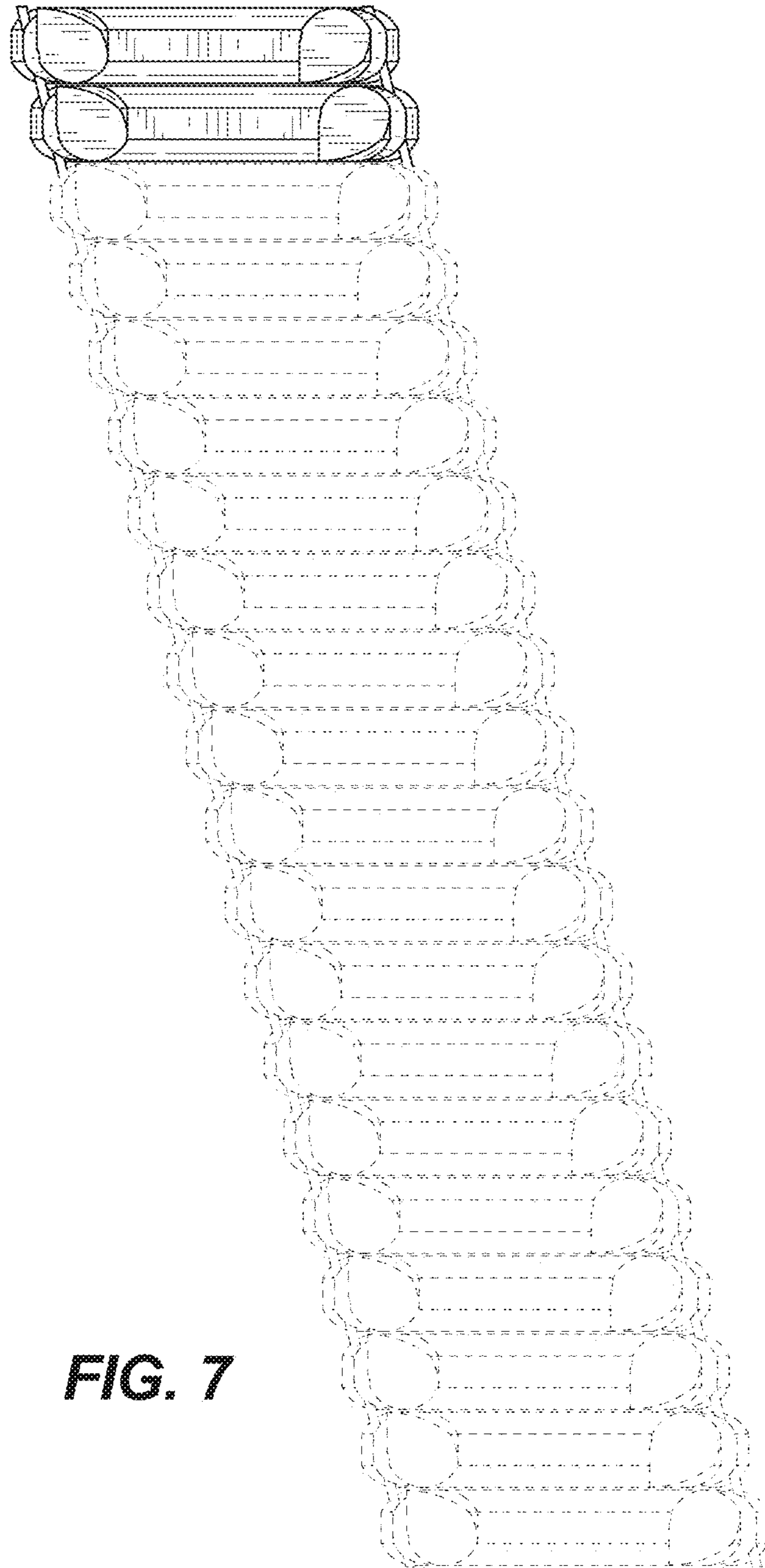


FIG. 5

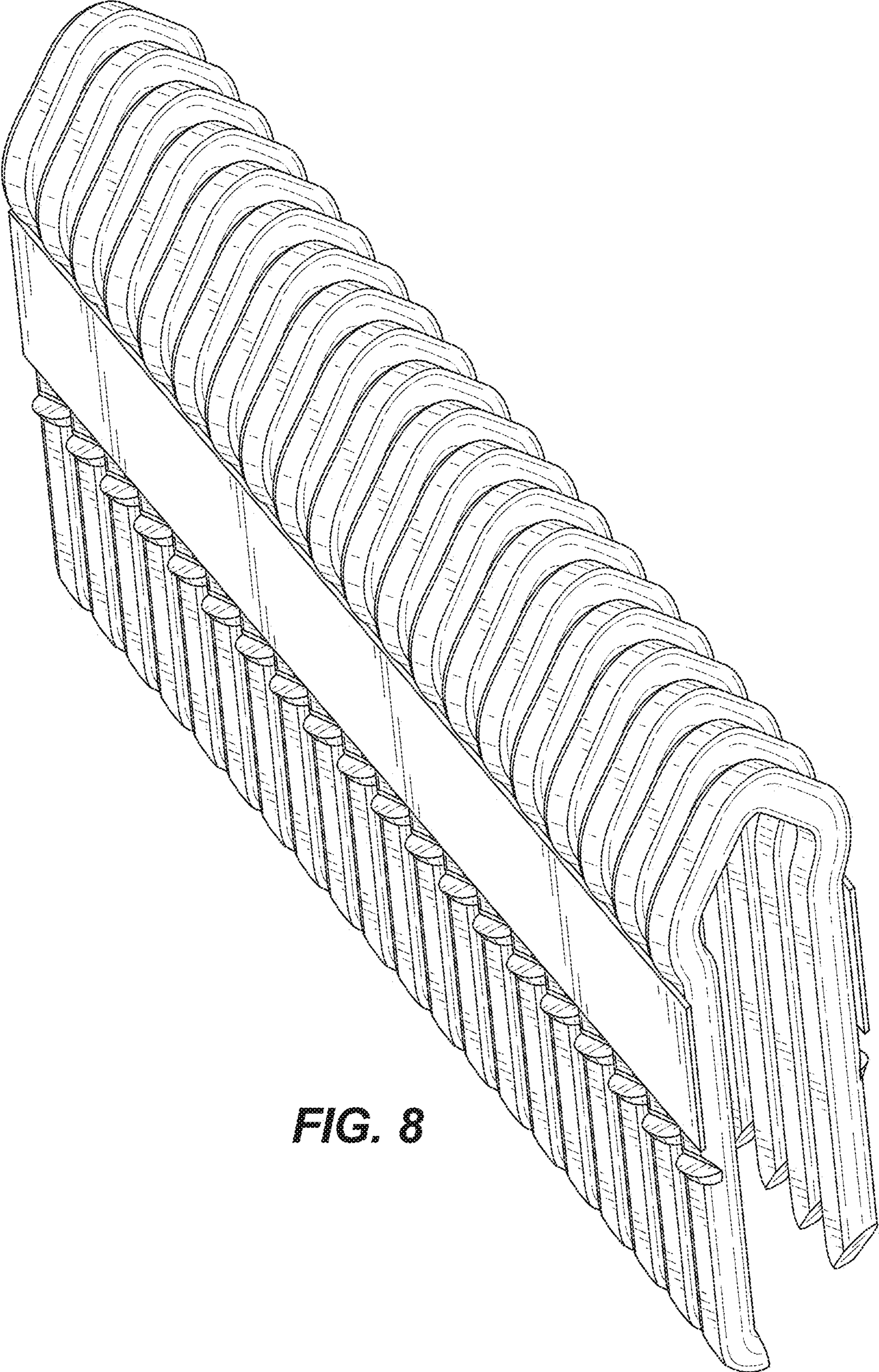




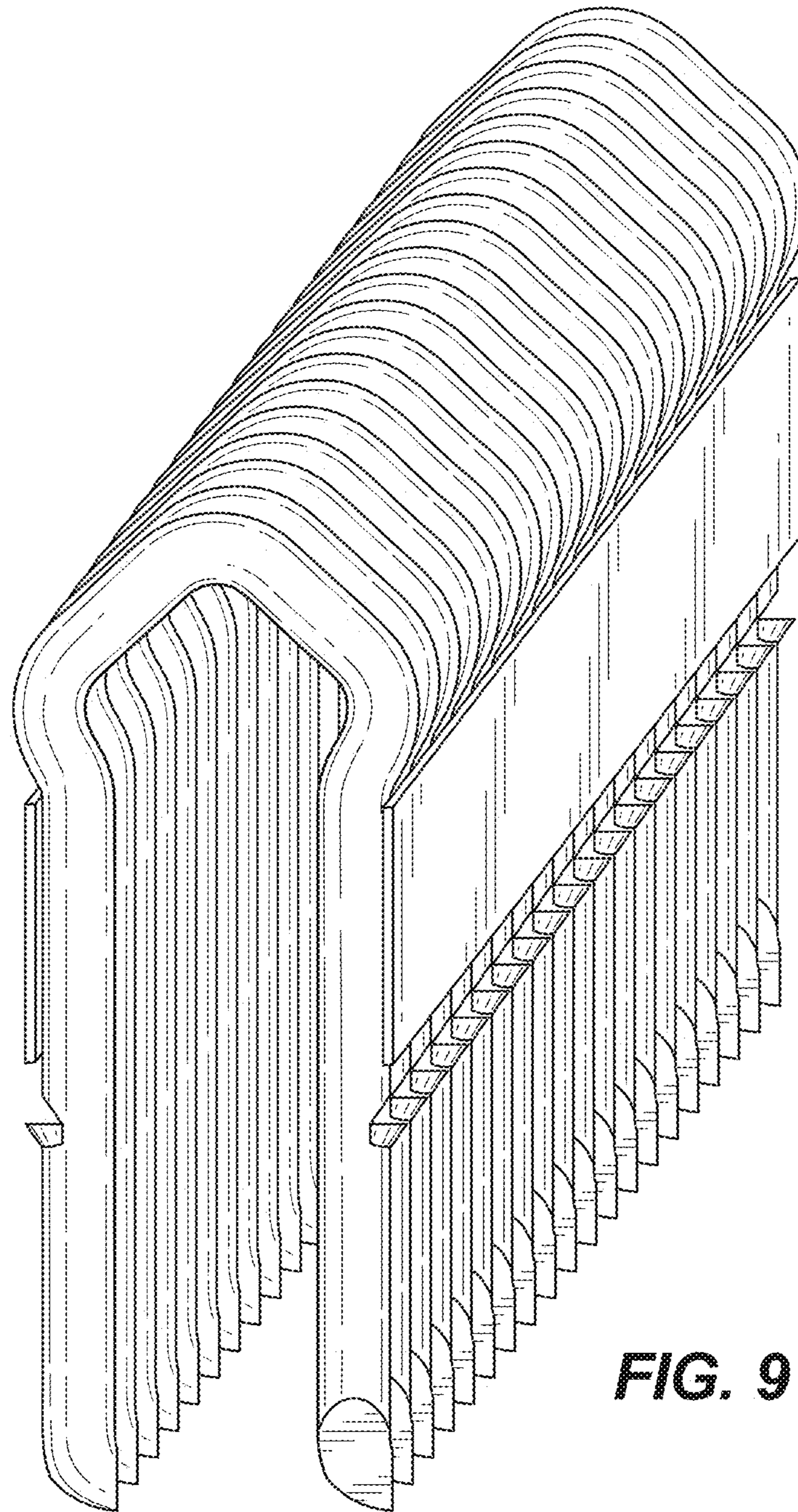
**FIG. 6**



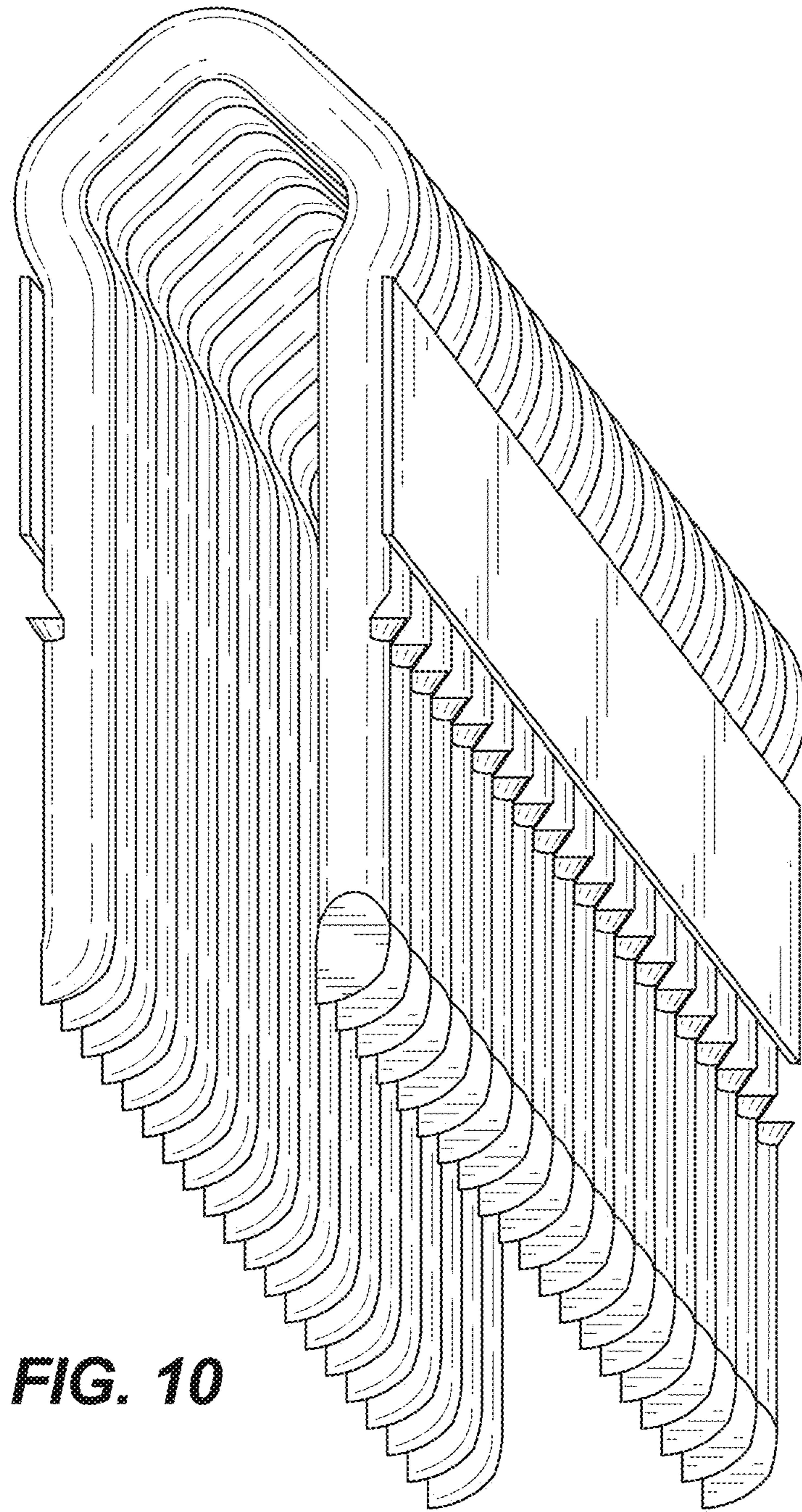
**FIG. 7**



**FIG. 8**



**FIG. 9**



**FIG. 10**

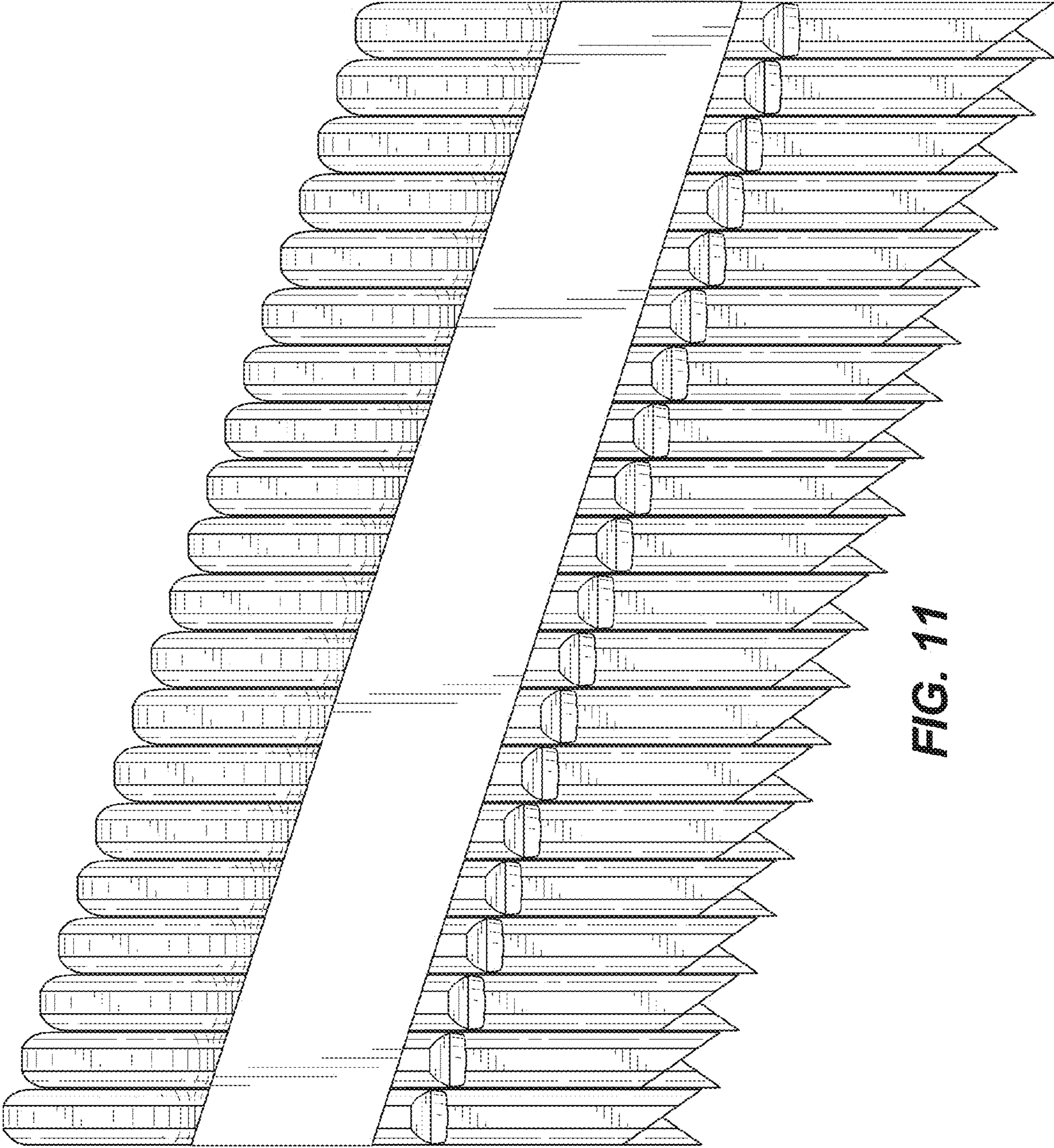


FIG. 11

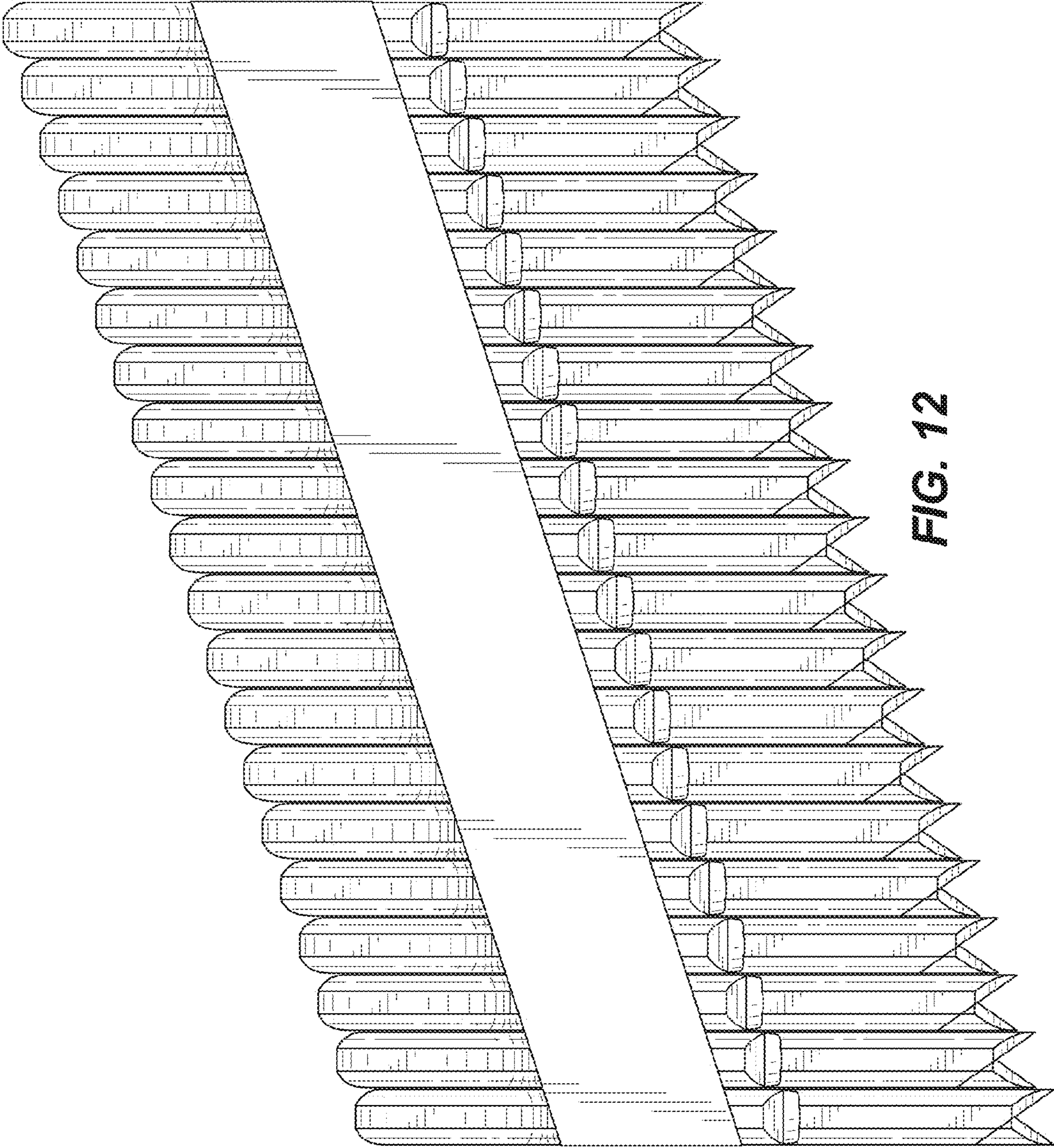
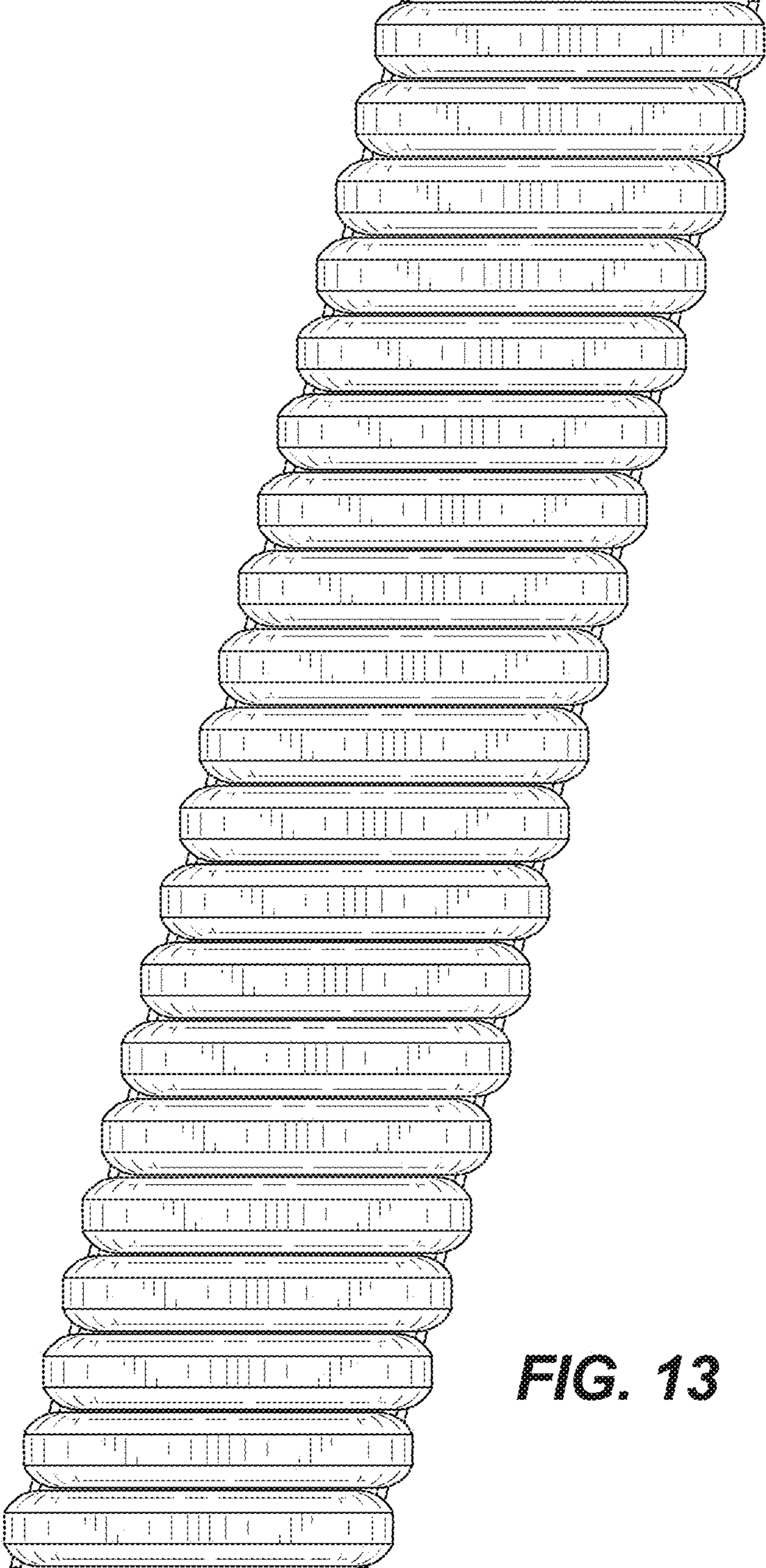
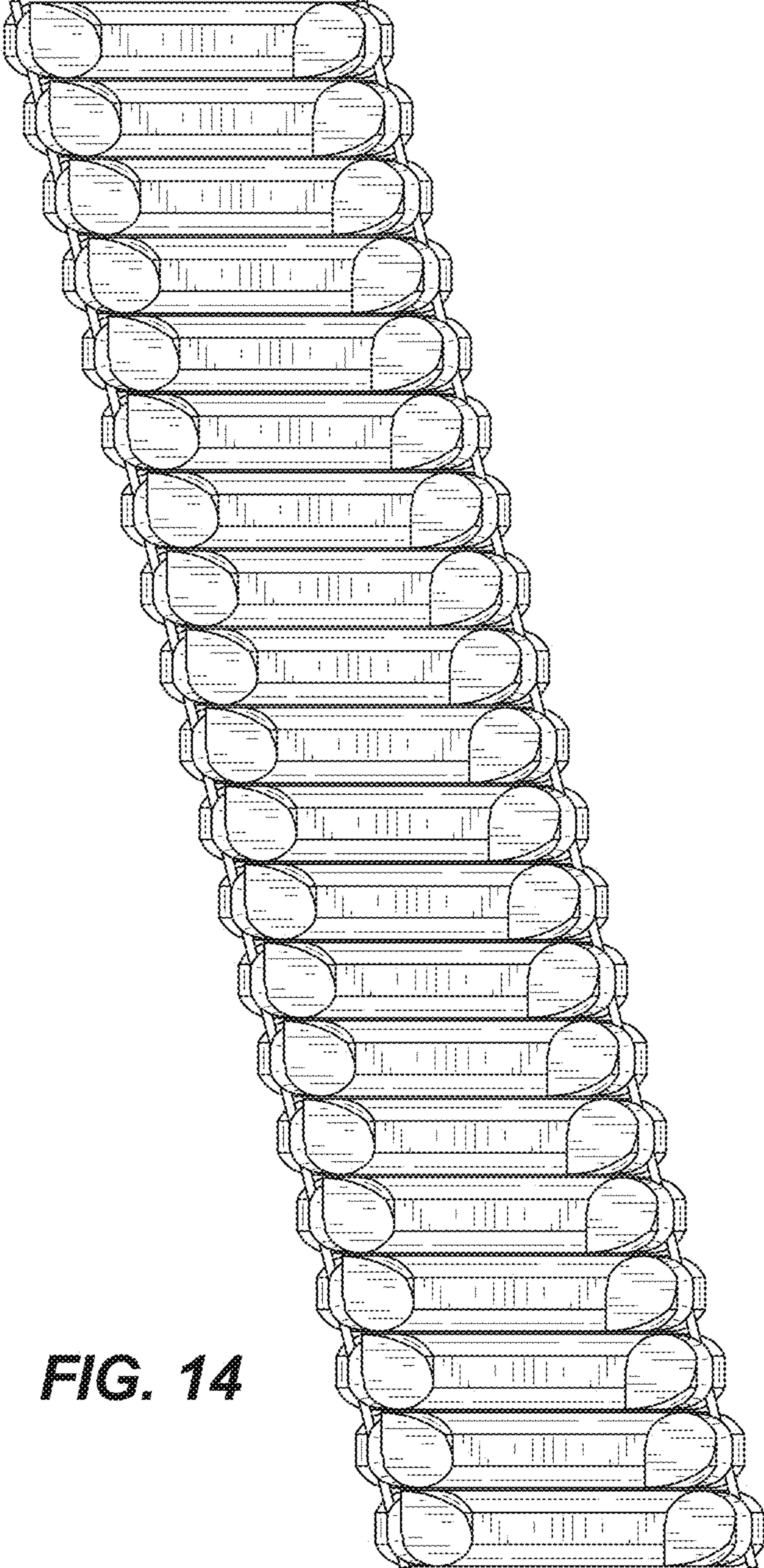


FIG. 12

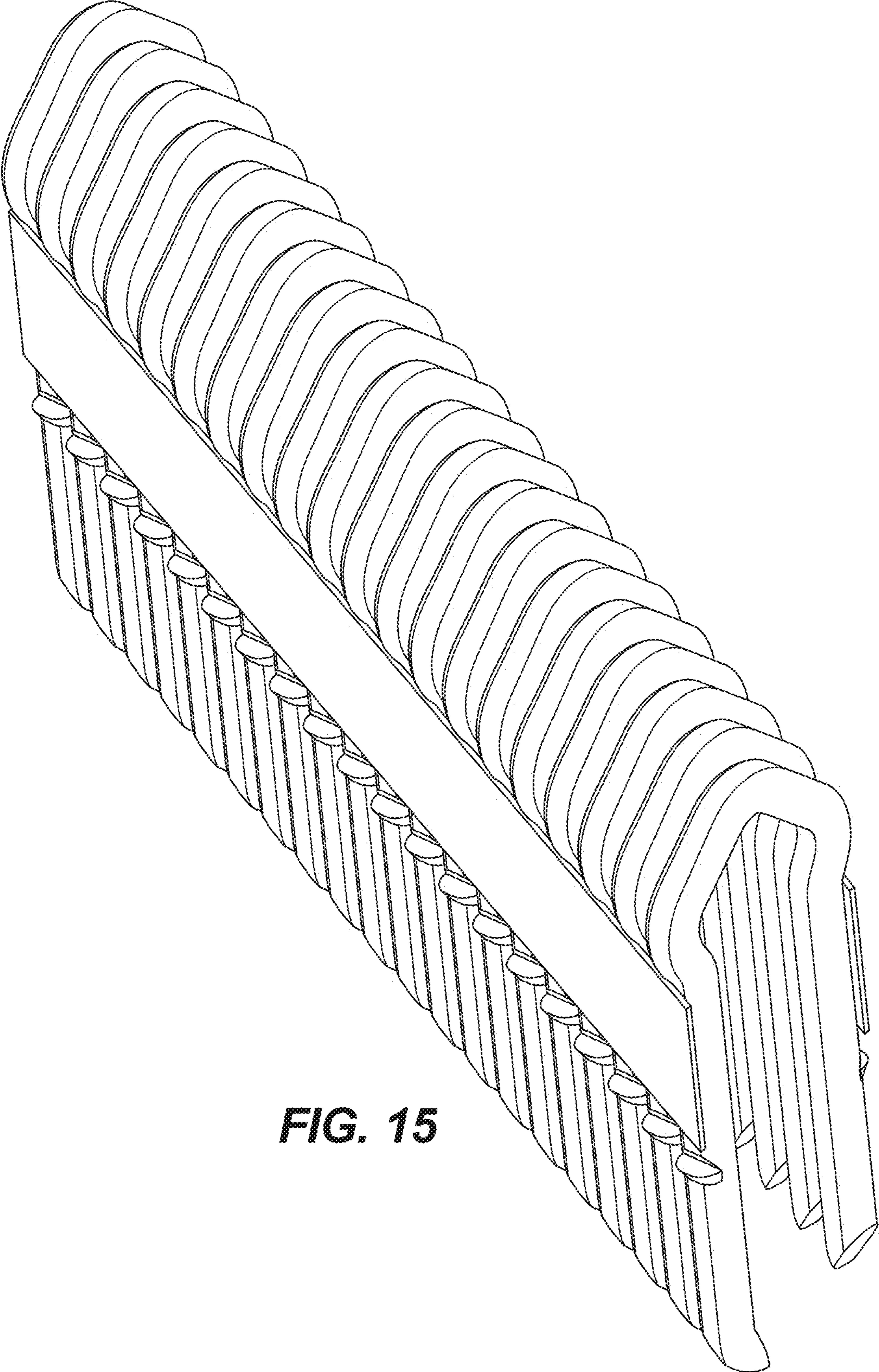


**FIG. 13**

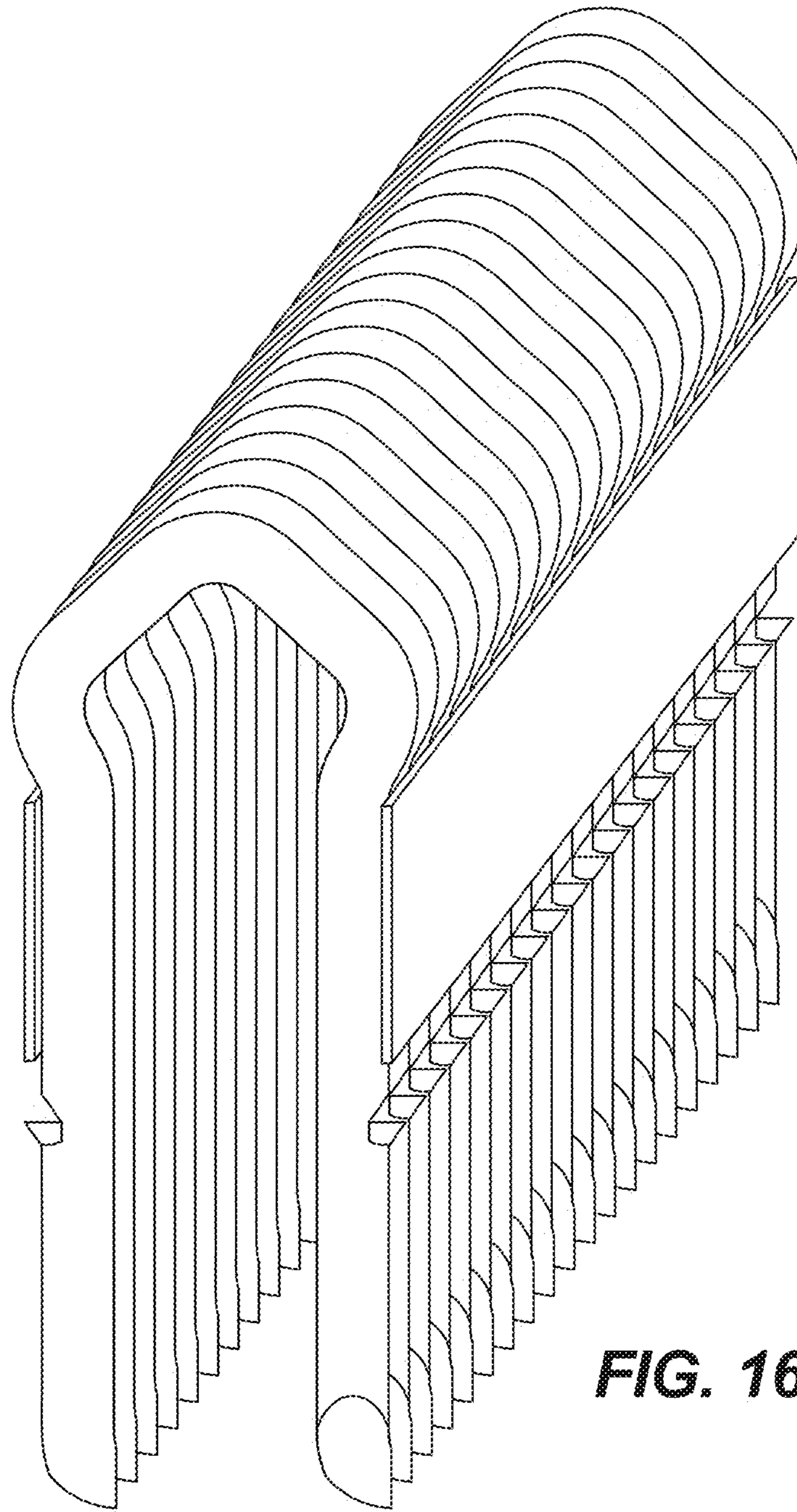




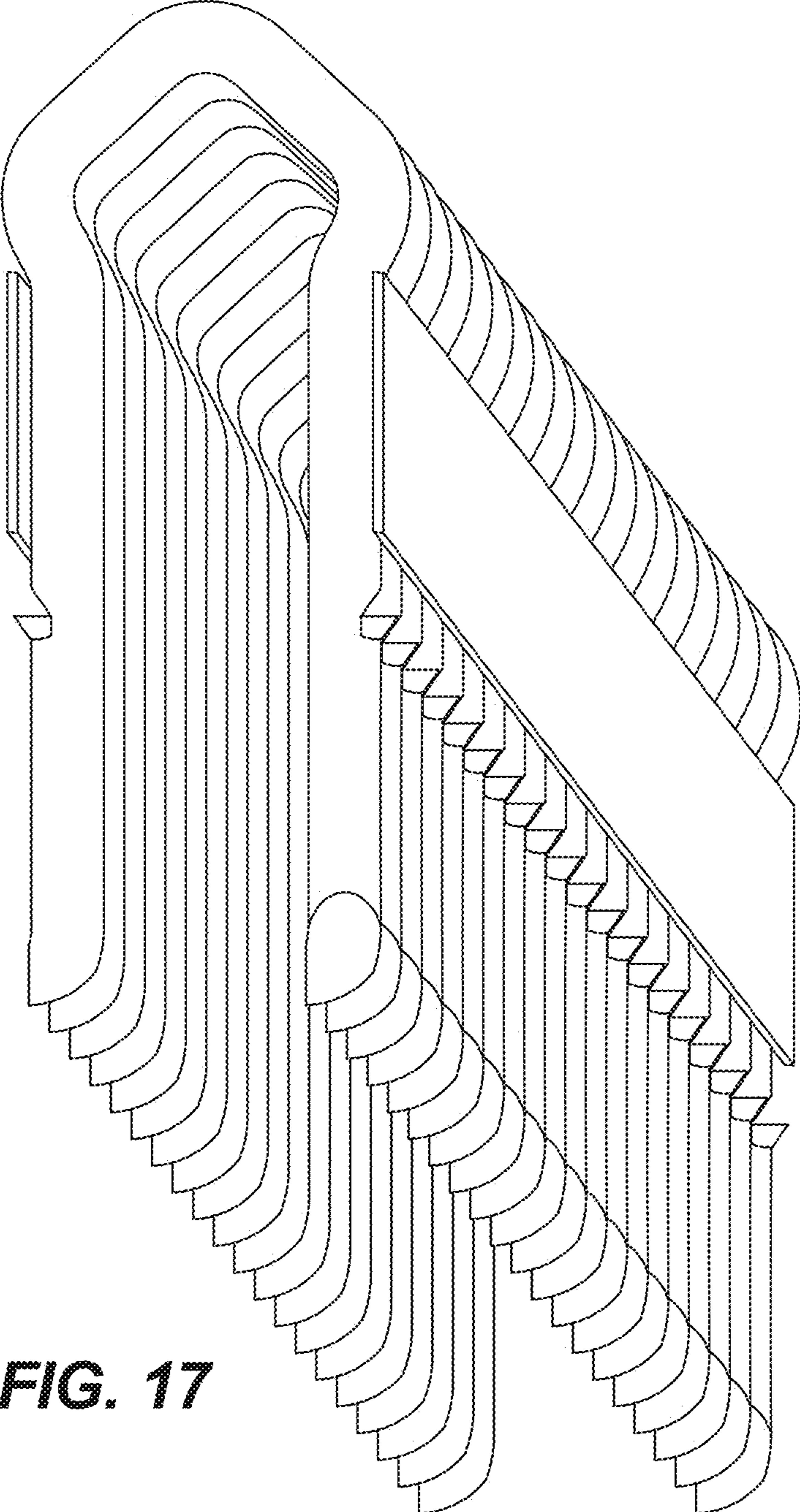
**FIG. 14**



**FIG. 15**



**FIG. 16**



**FIG. 17**

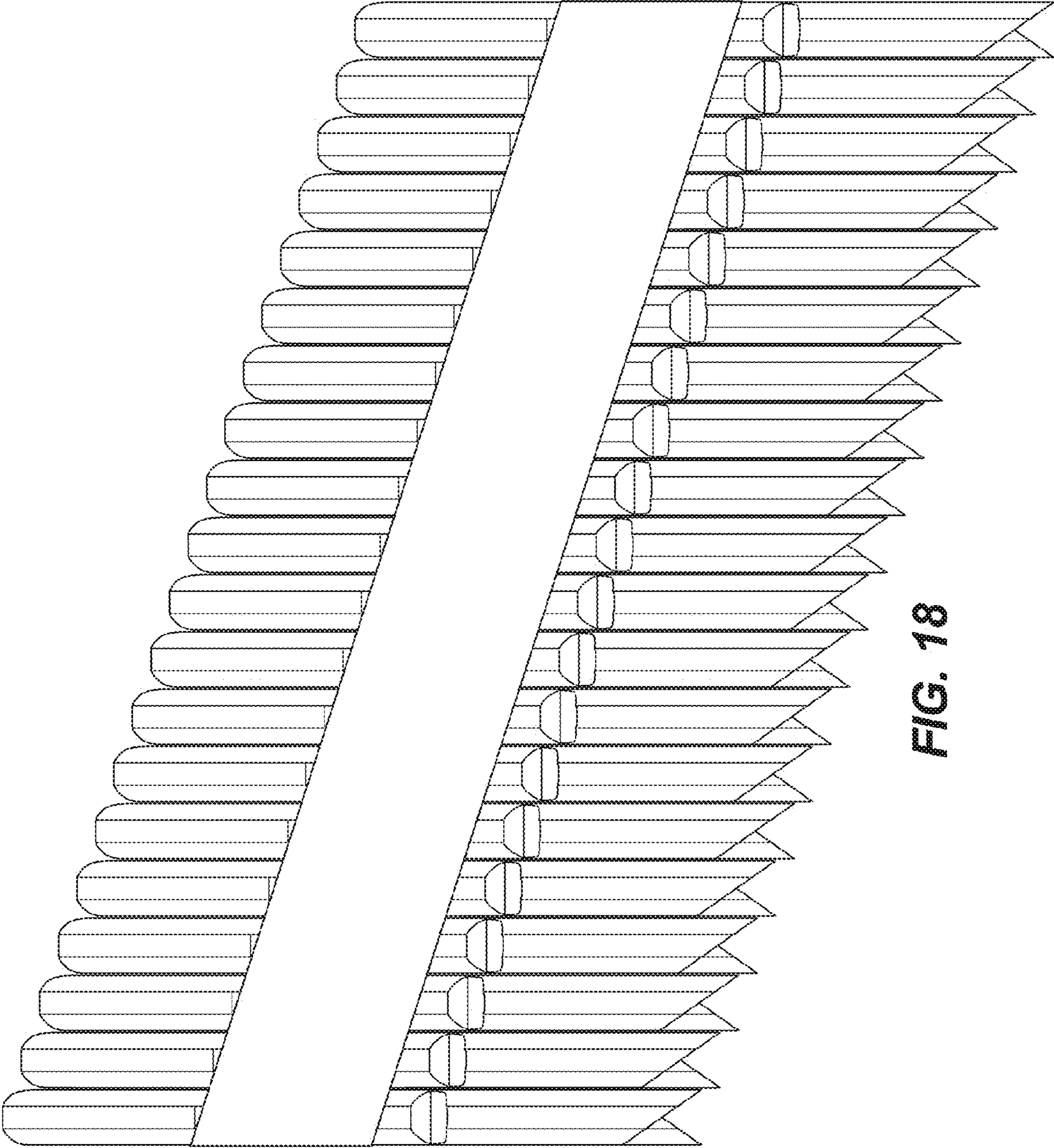


FIG. 18

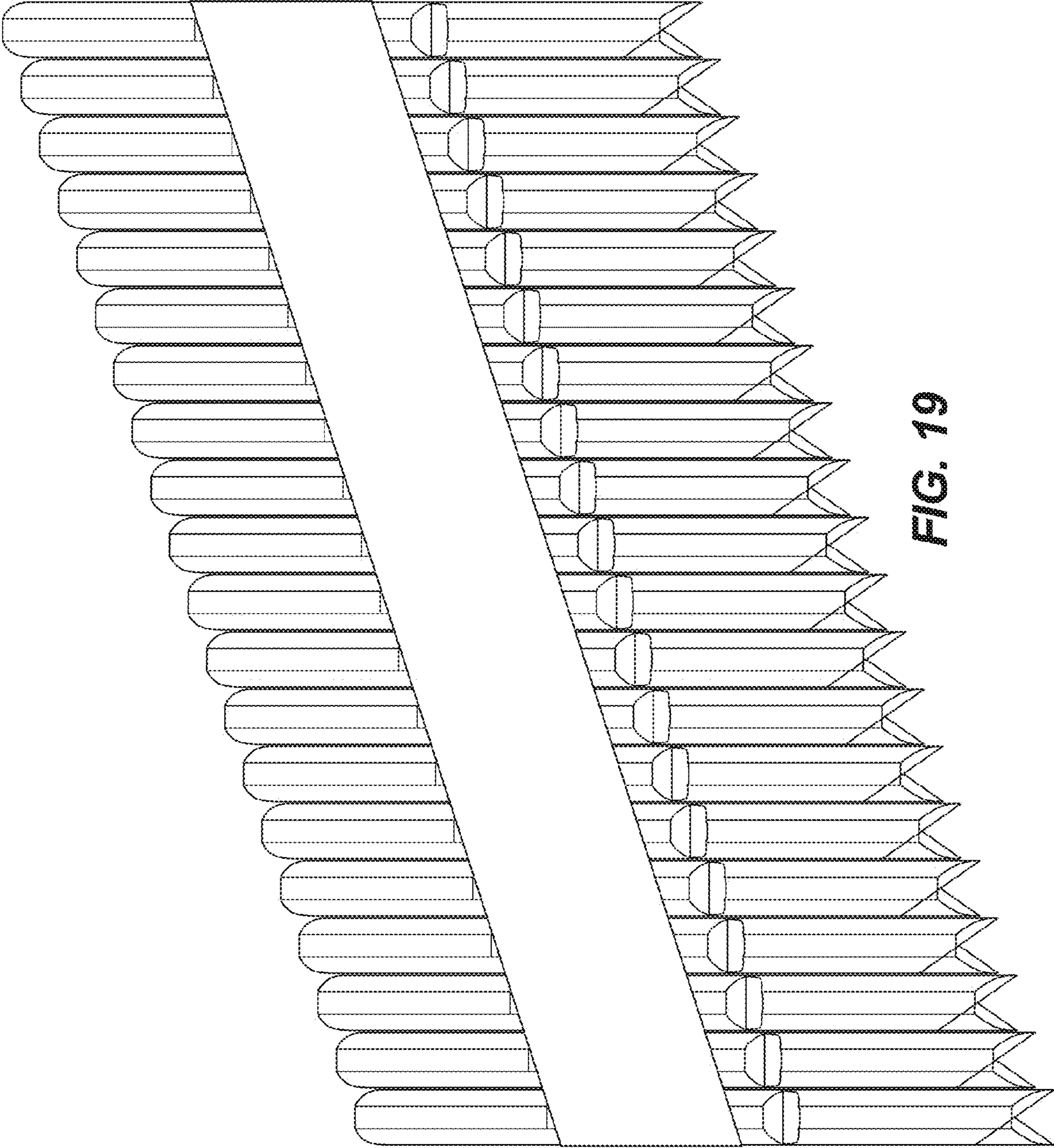
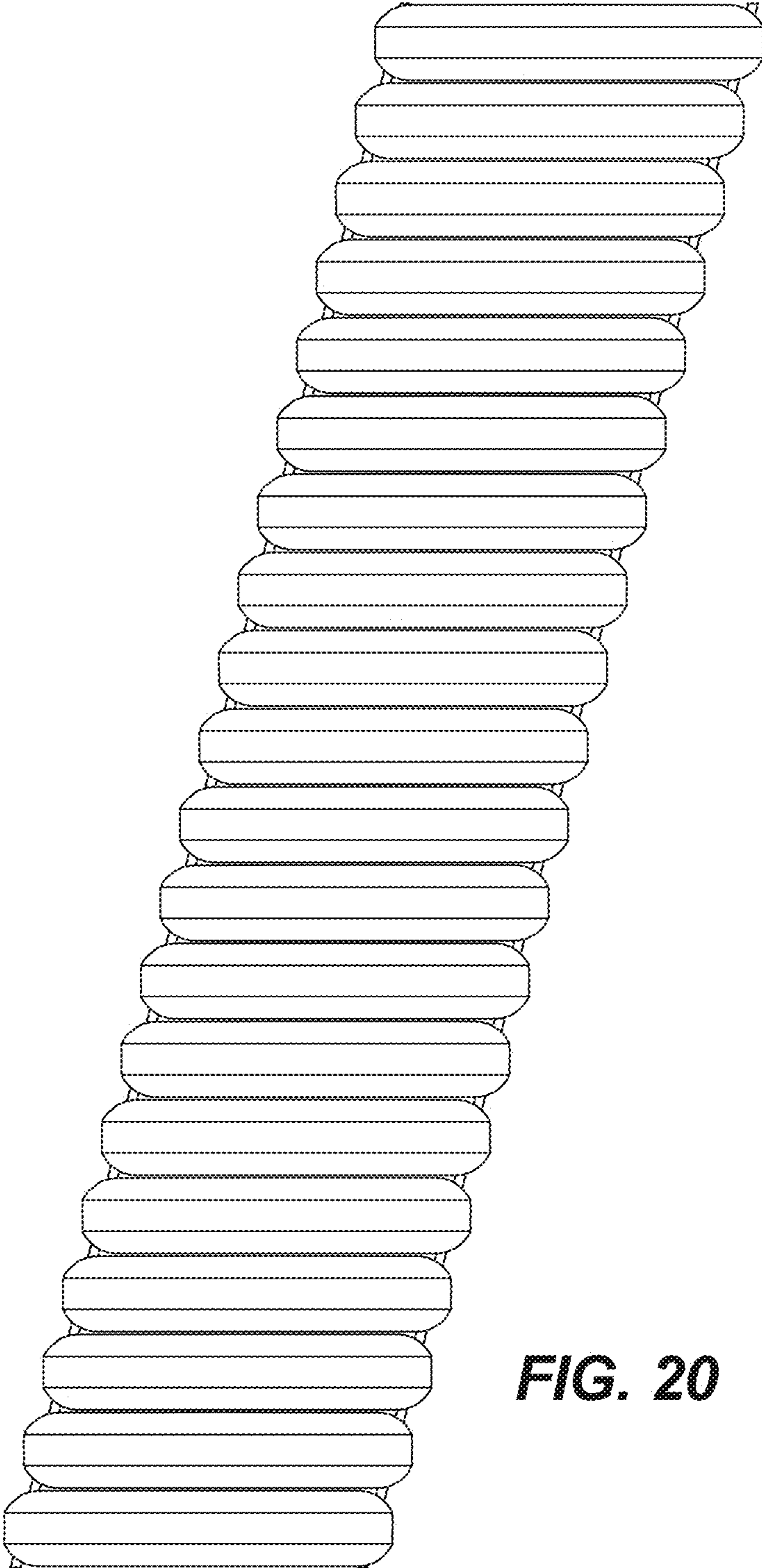
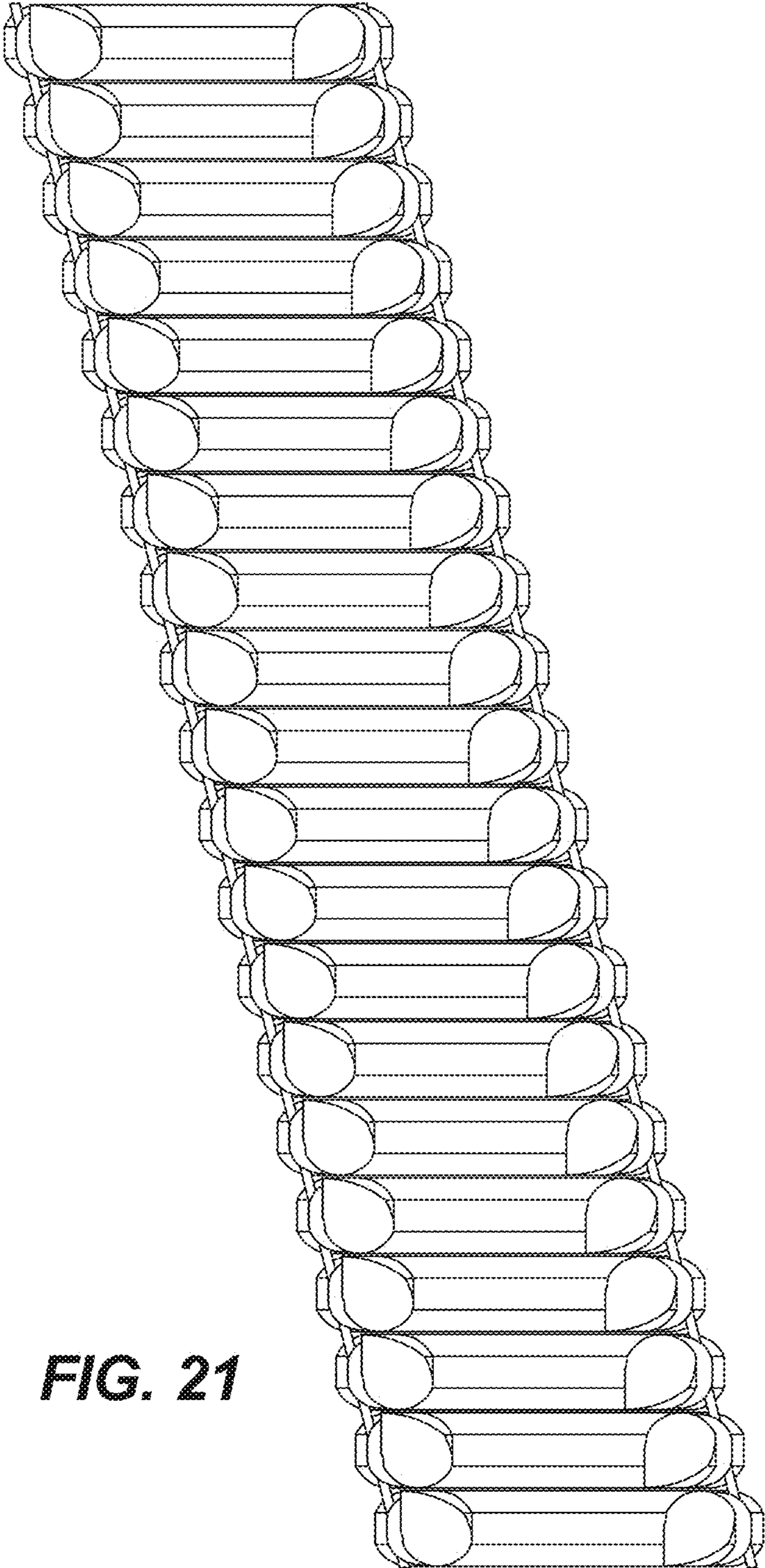


FIG. 19

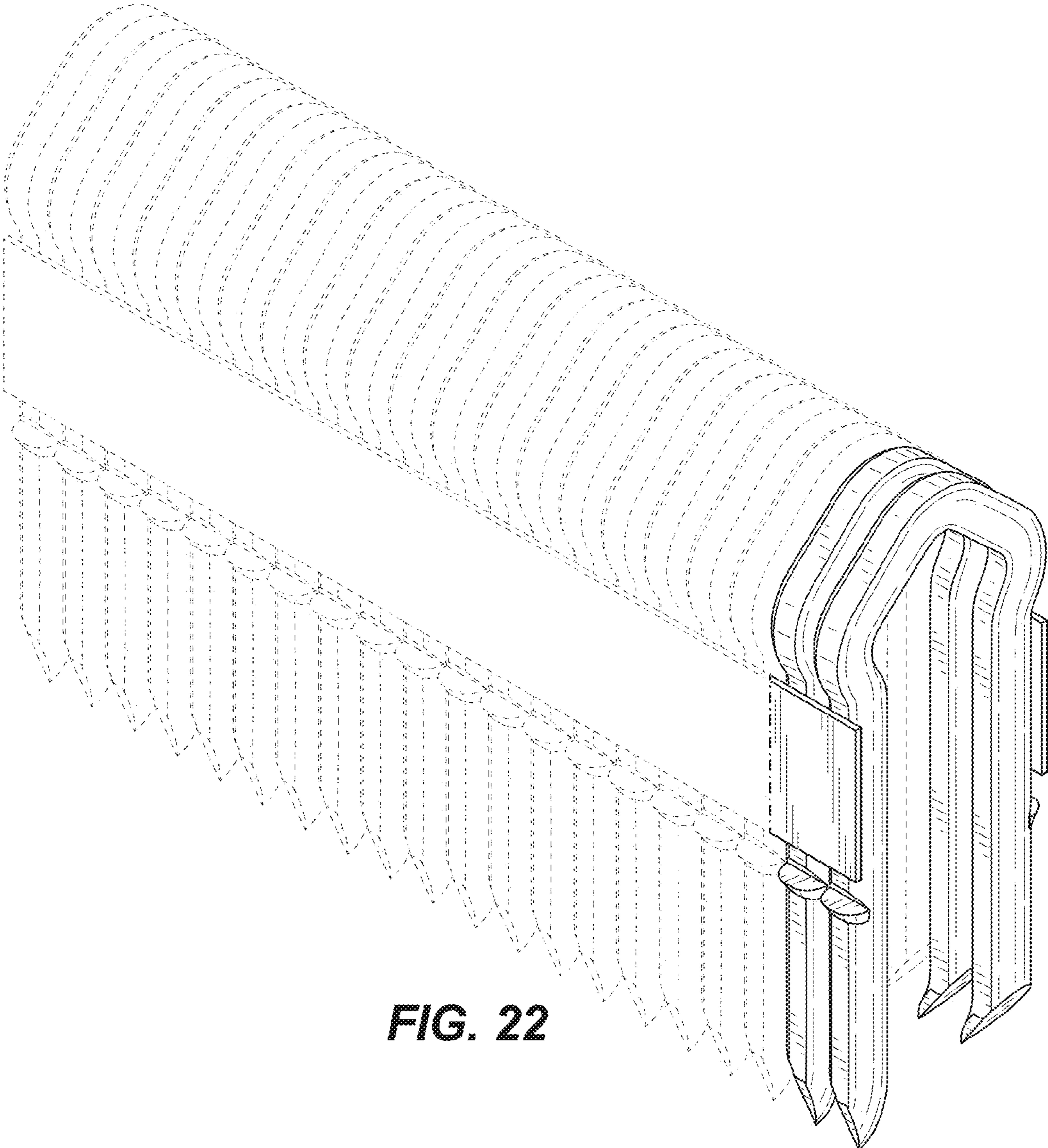


**FIG. 20**

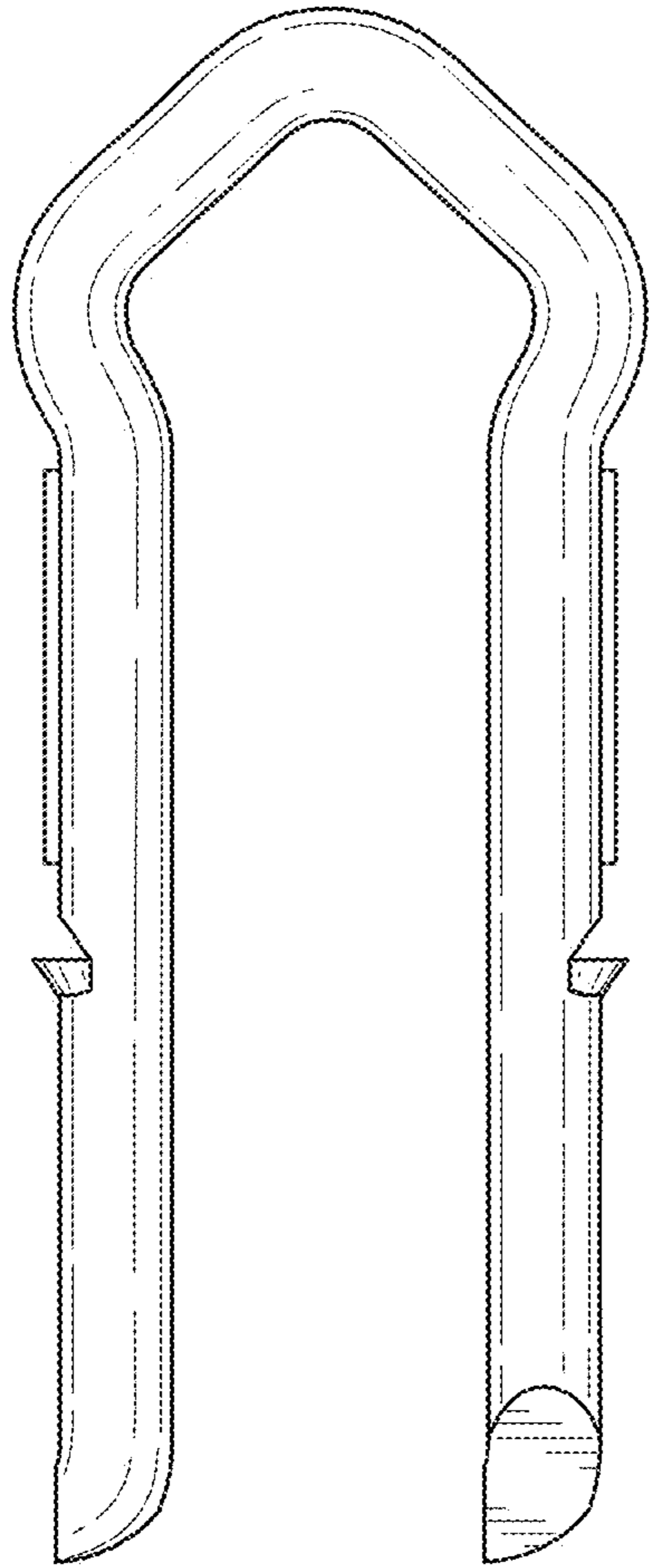


**FIG. 21**

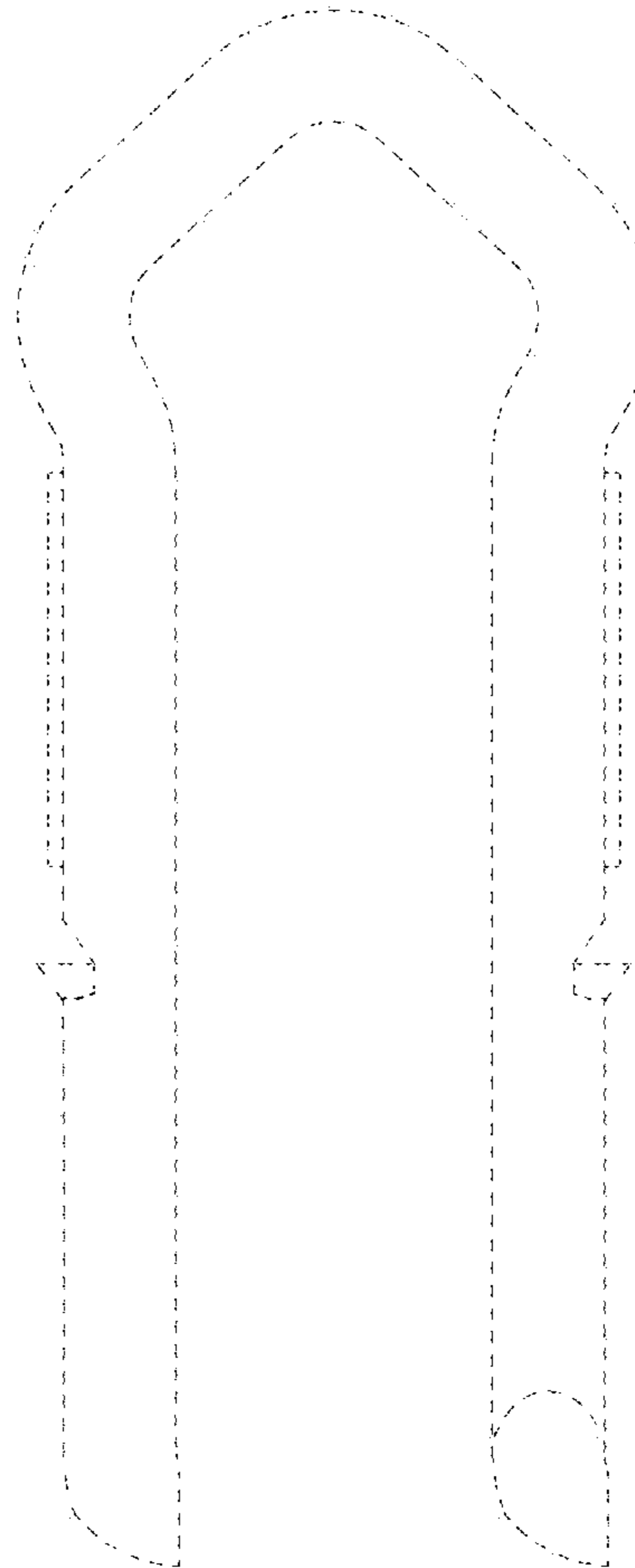




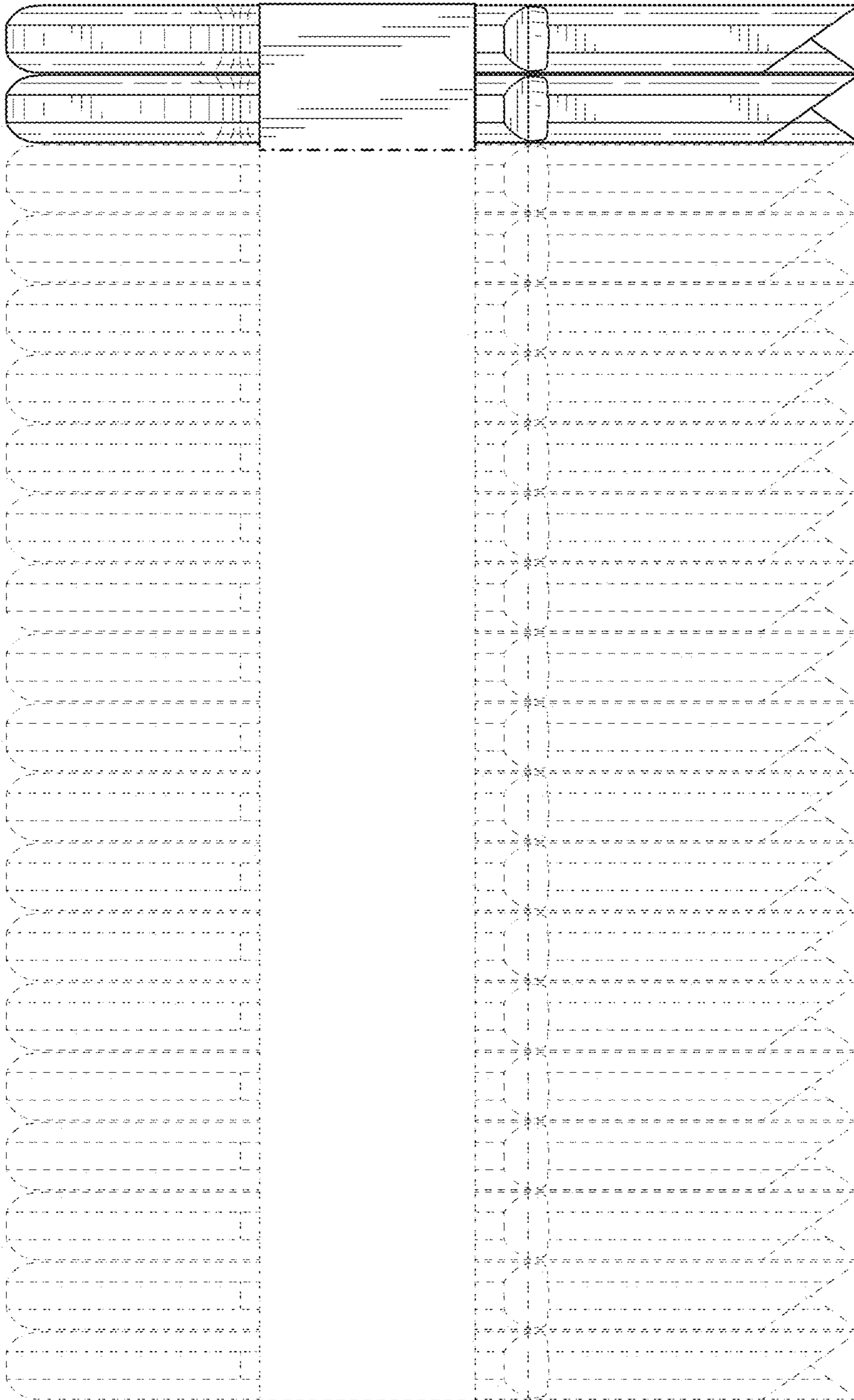
**FIG. 22**



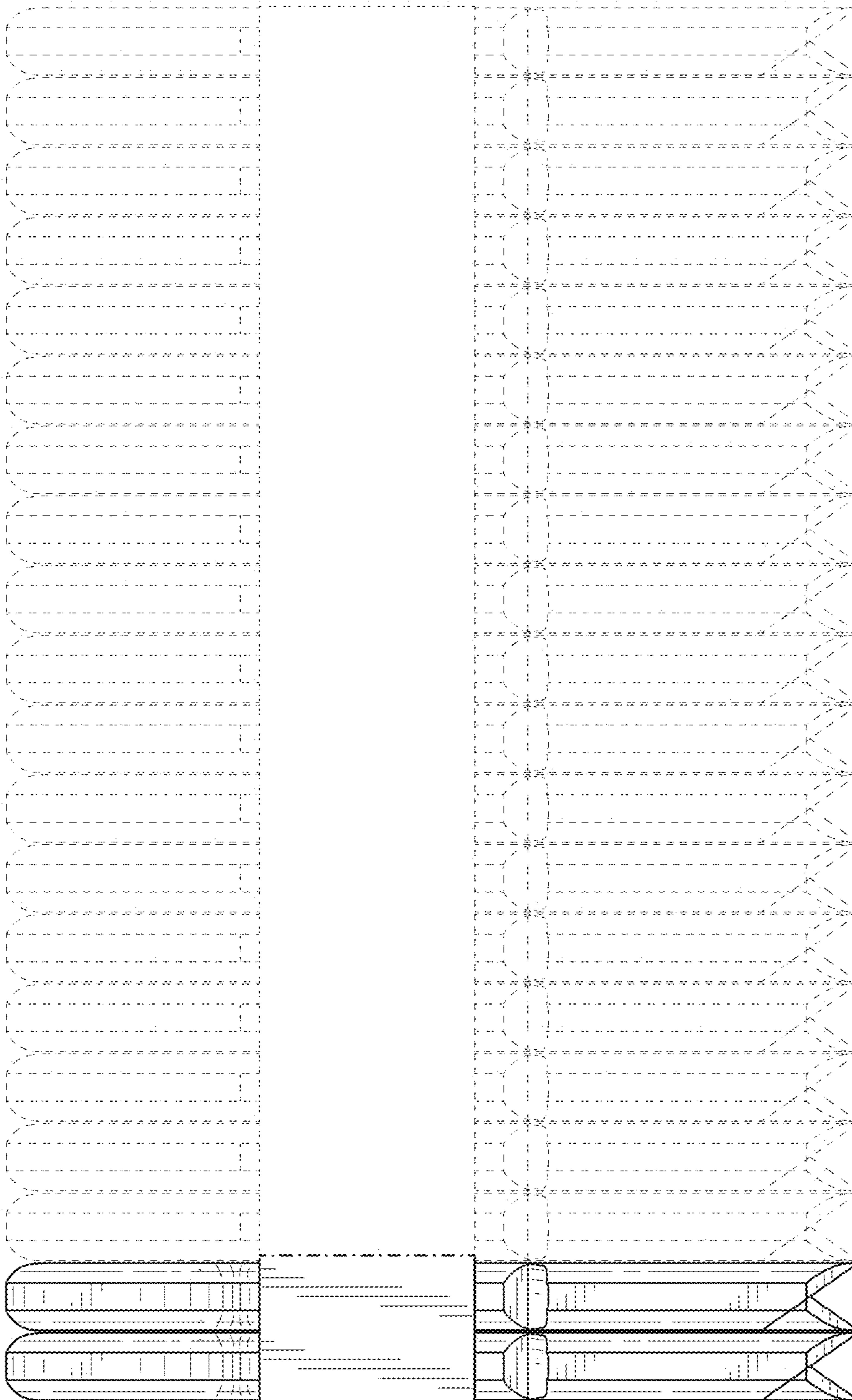
**FIG. 23**



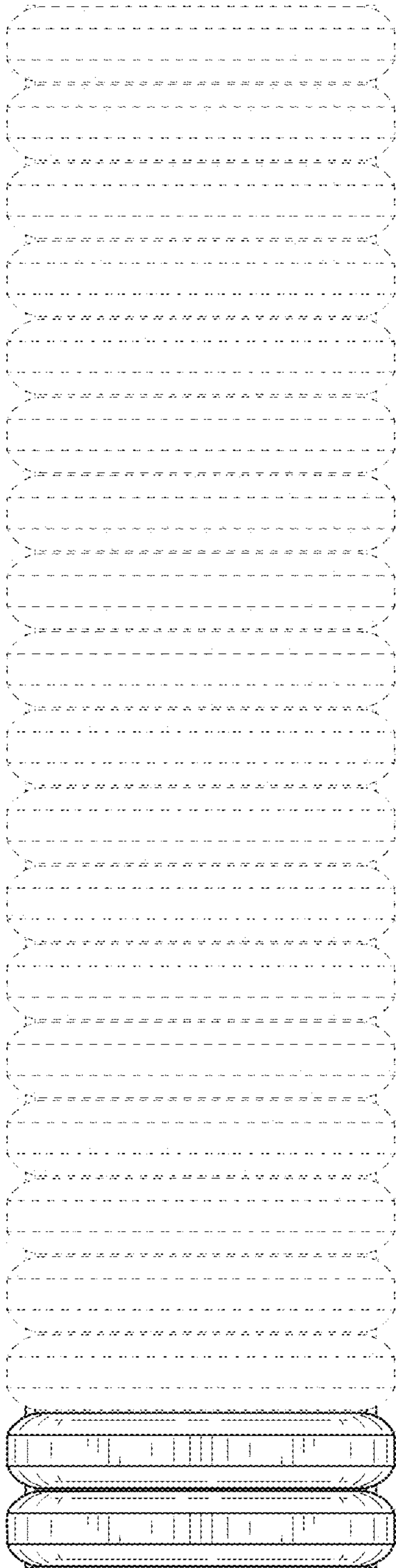
**FIG. 24**



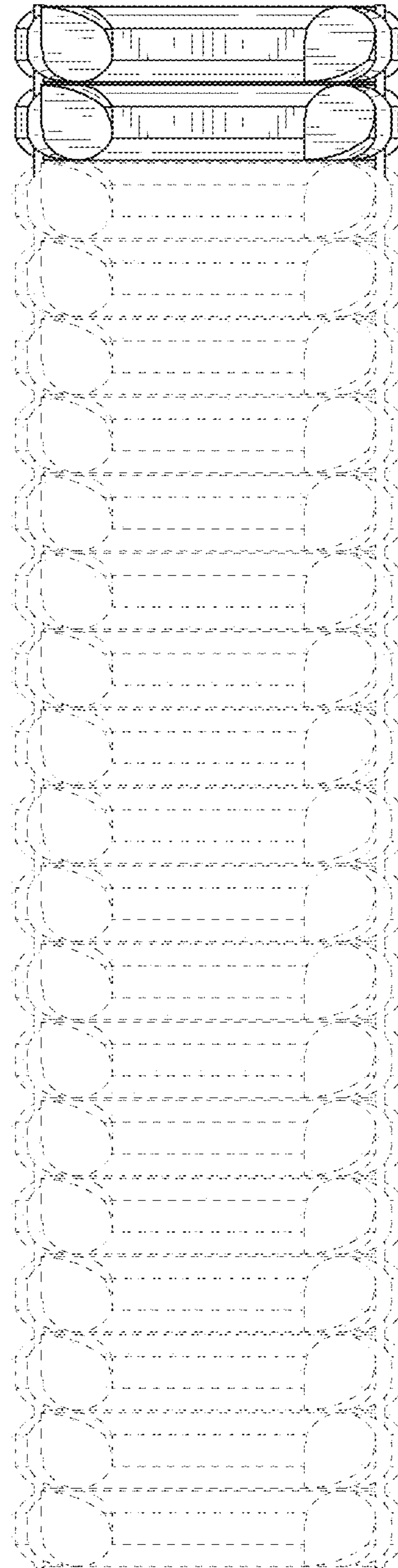
**FIG. 25**



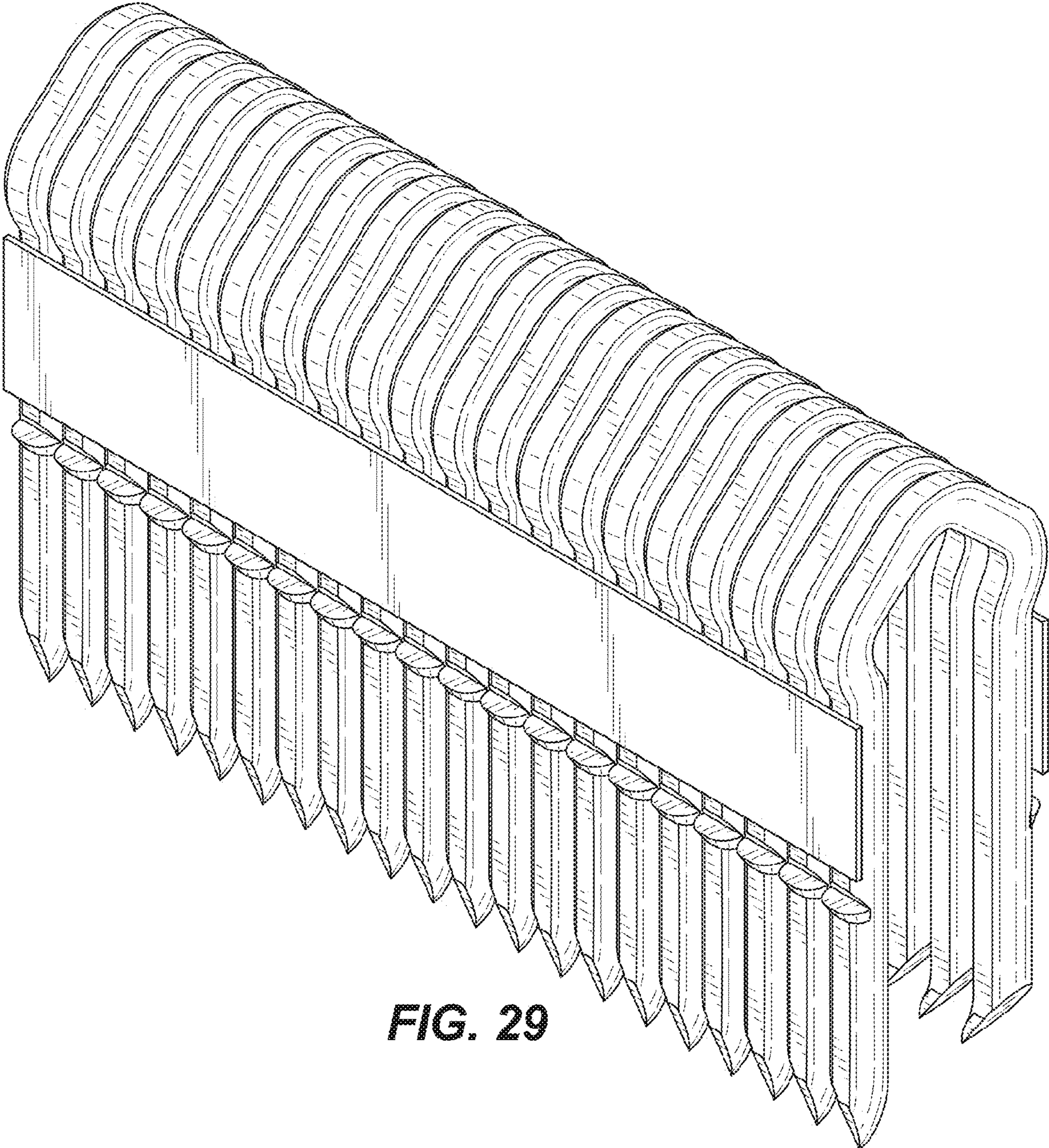
**FIG. 26**



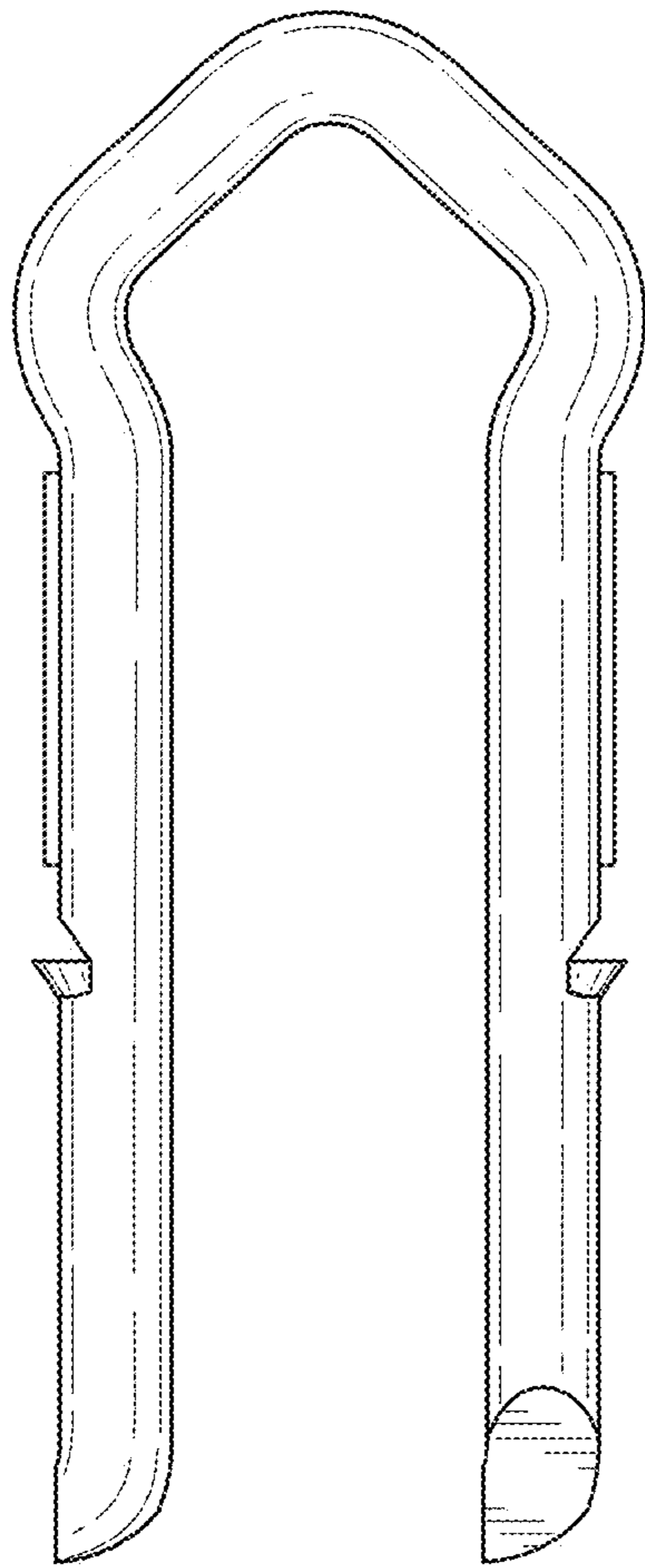
**FIG. 27**



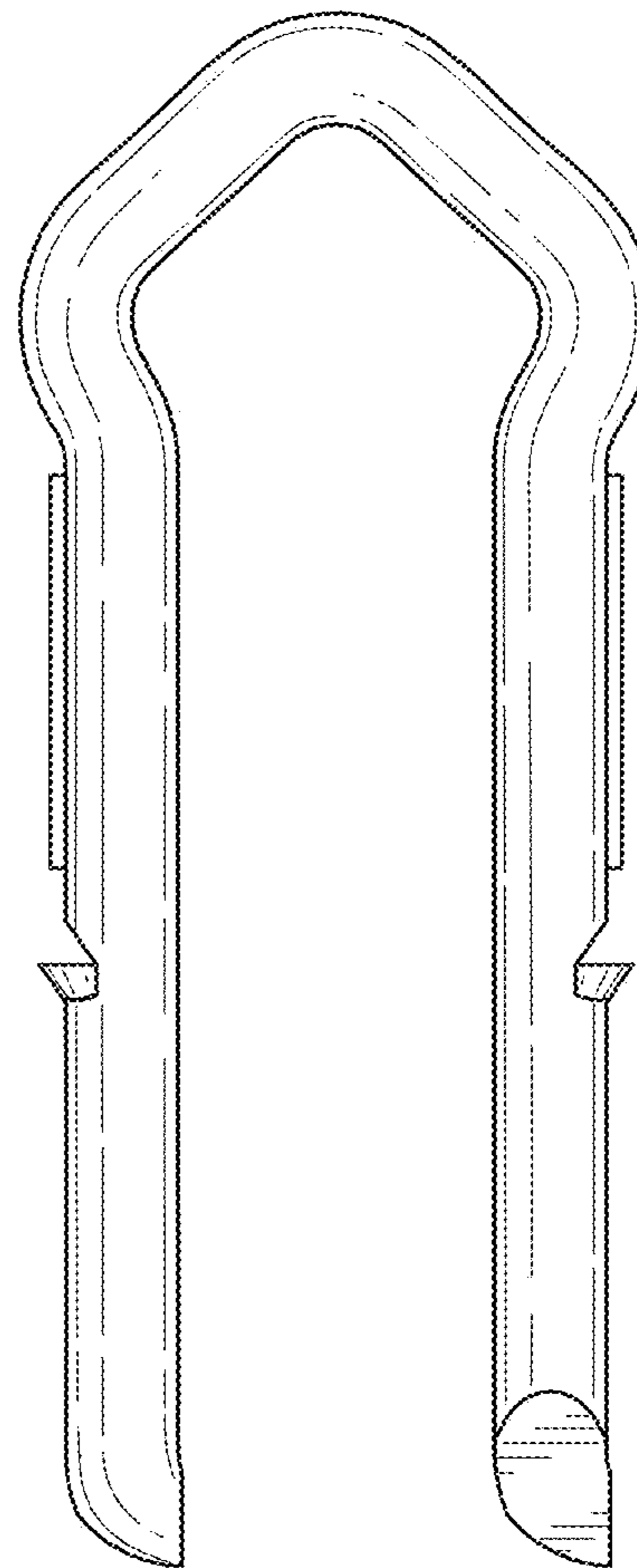
**FIG. 28**



**FIG. 29**



**FIG. 30**



**FIG. 31**

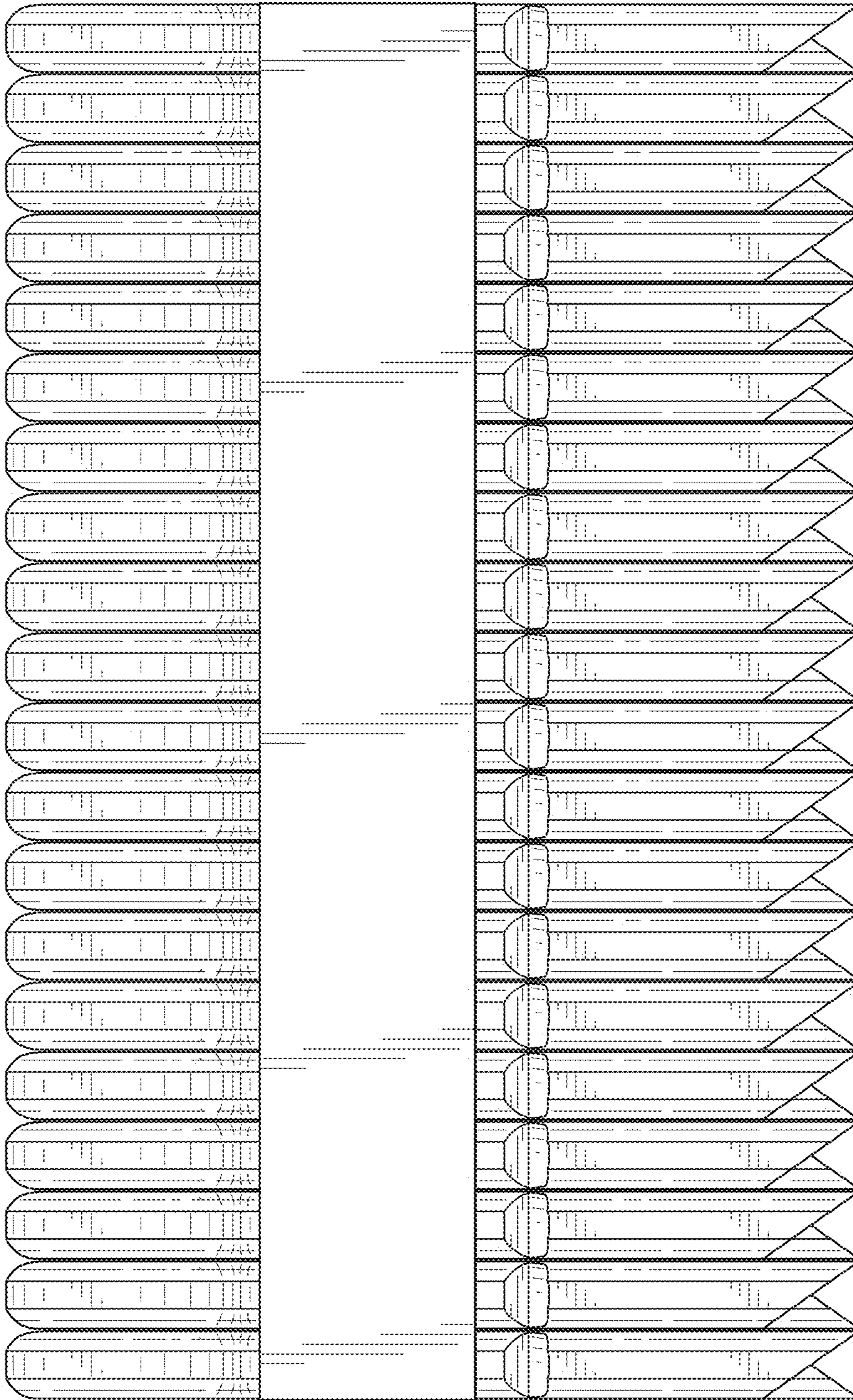
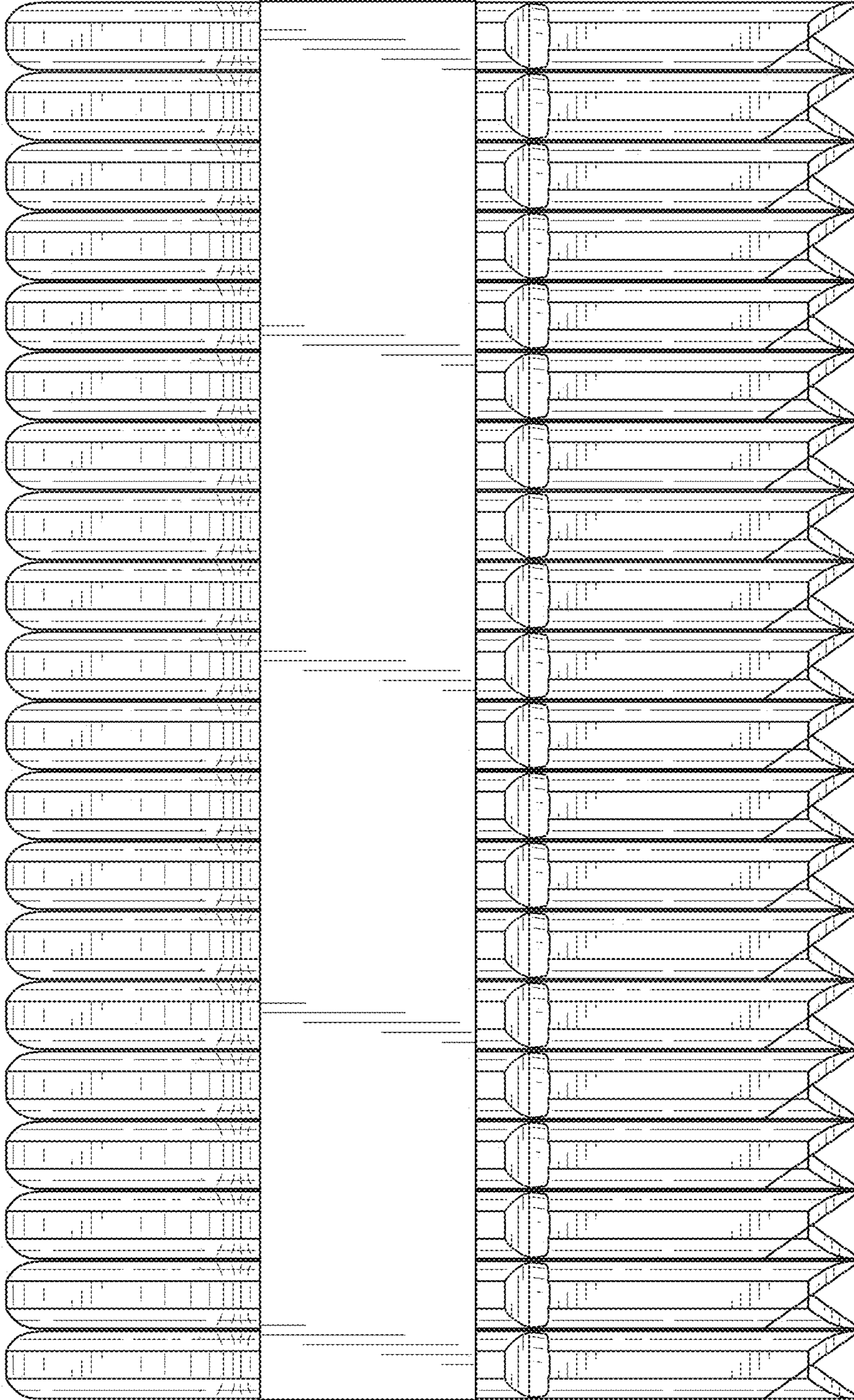
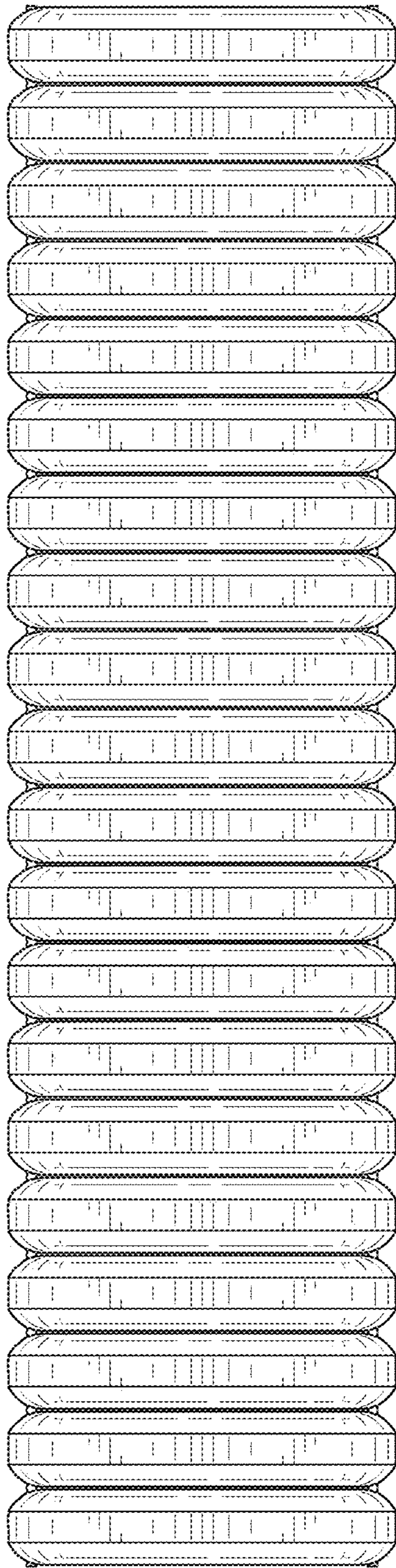


FIG. 32

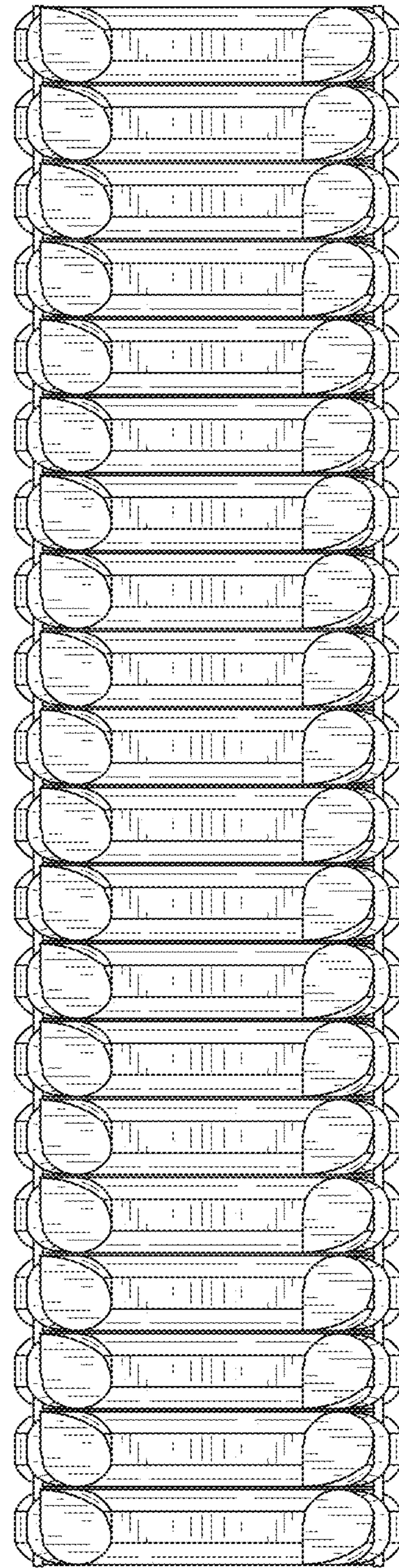




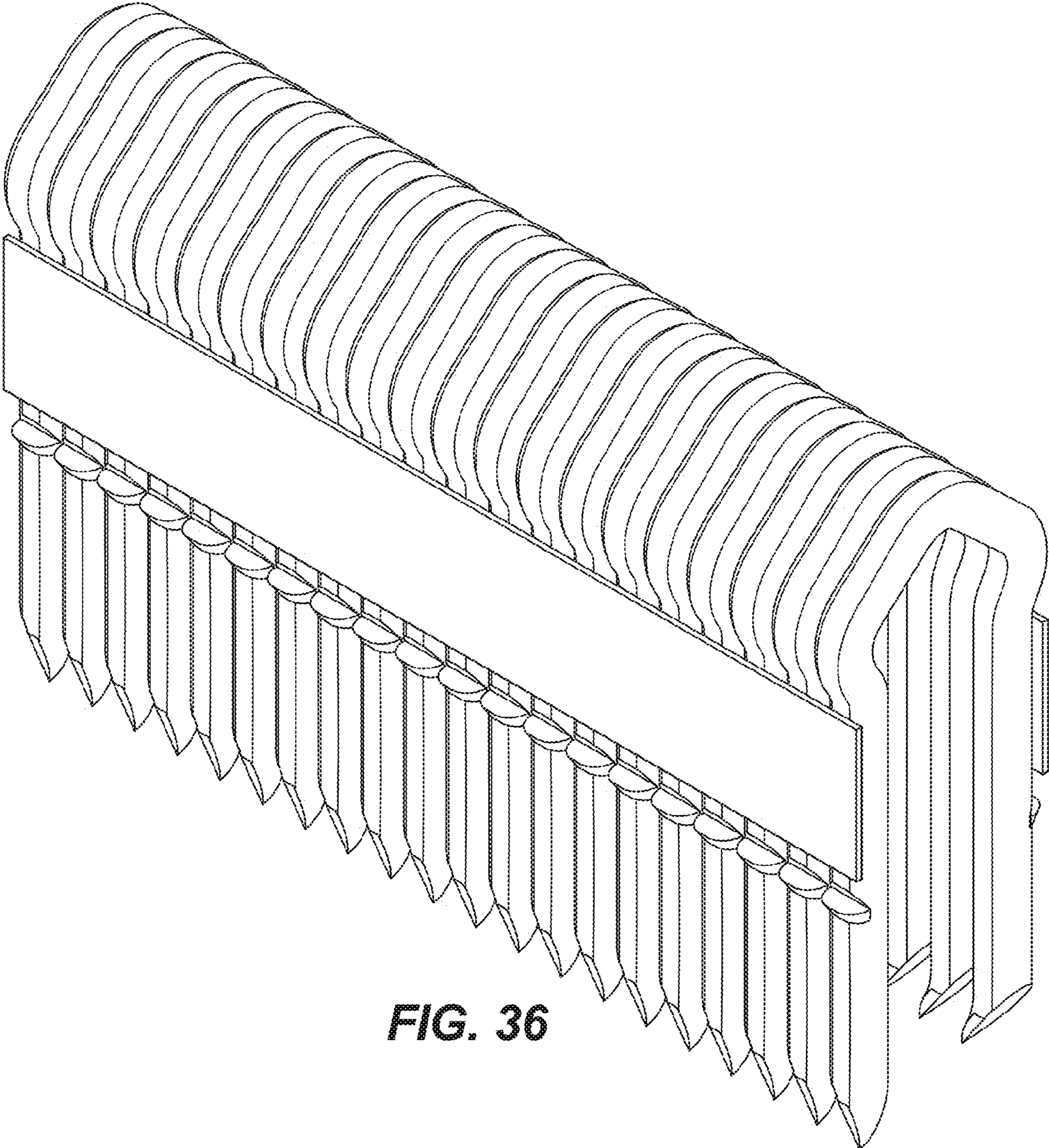
**FIG. 33**



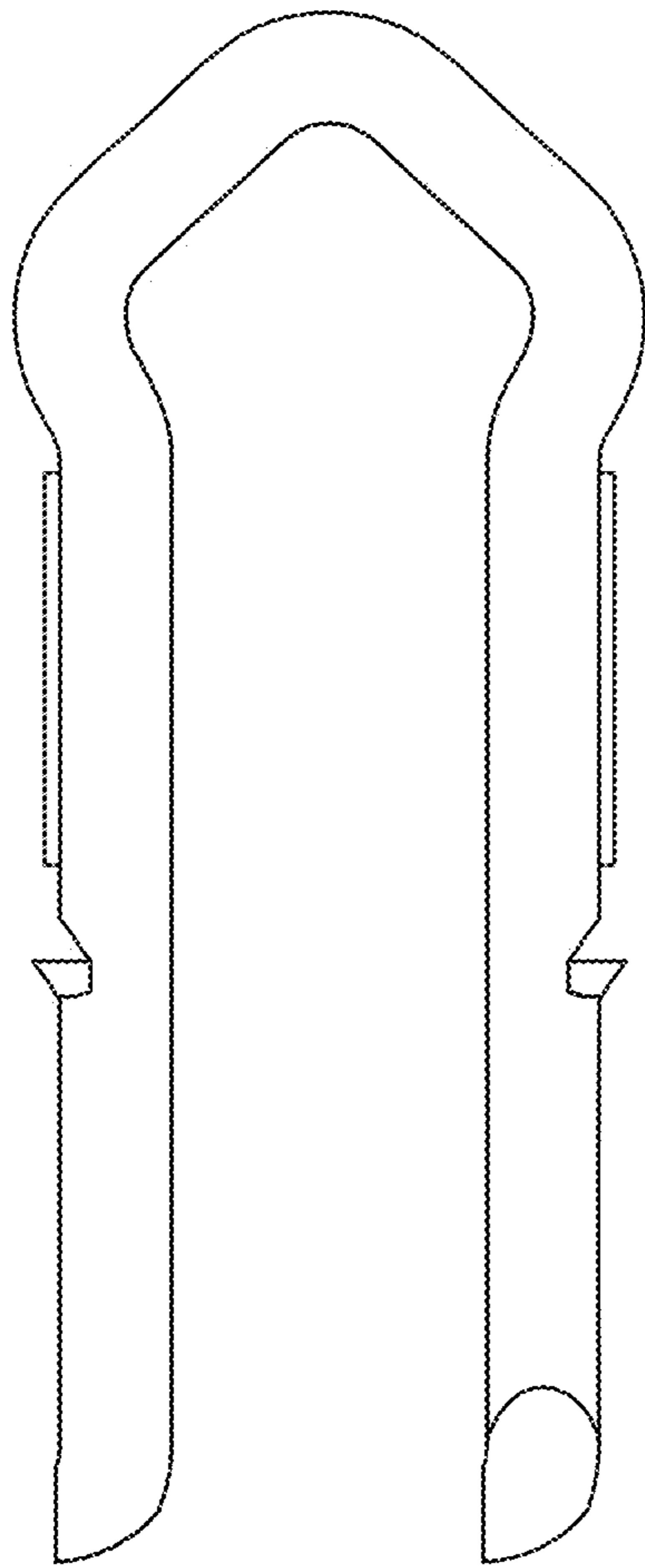
**FIG. 34**



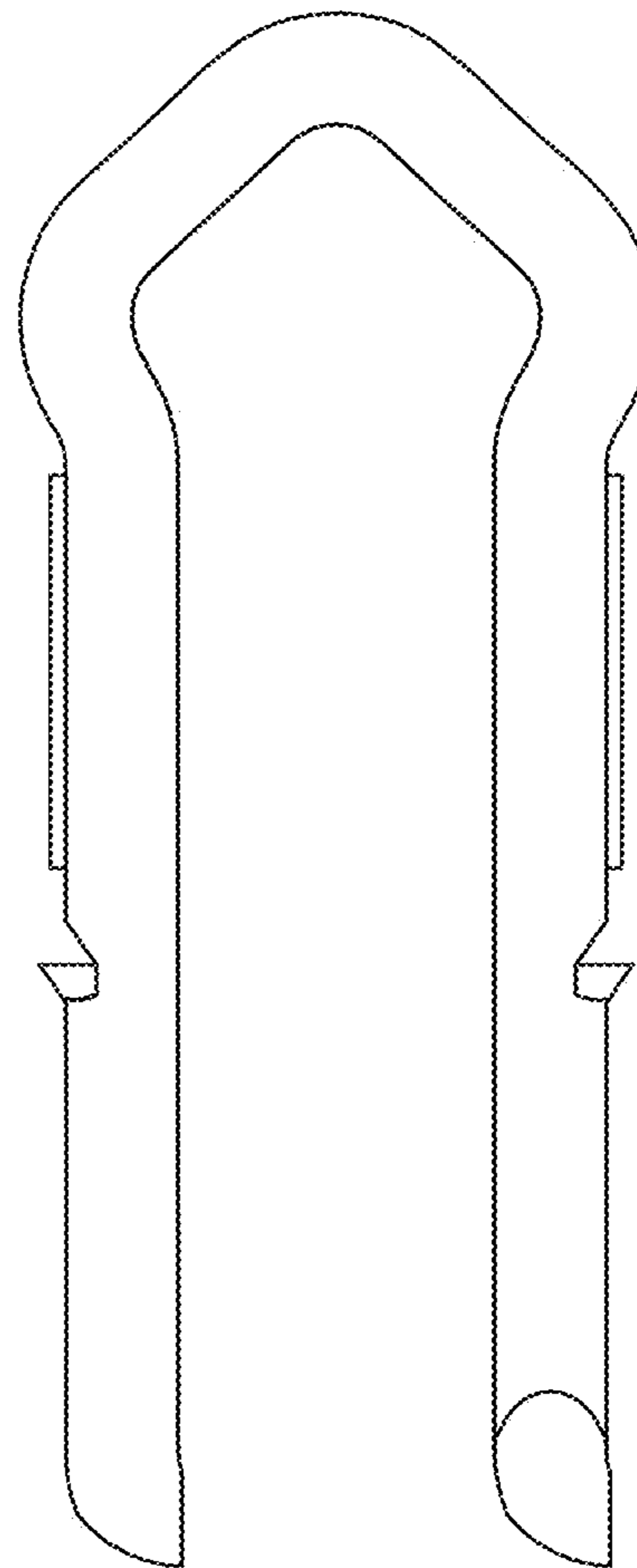
**FIG. 35**



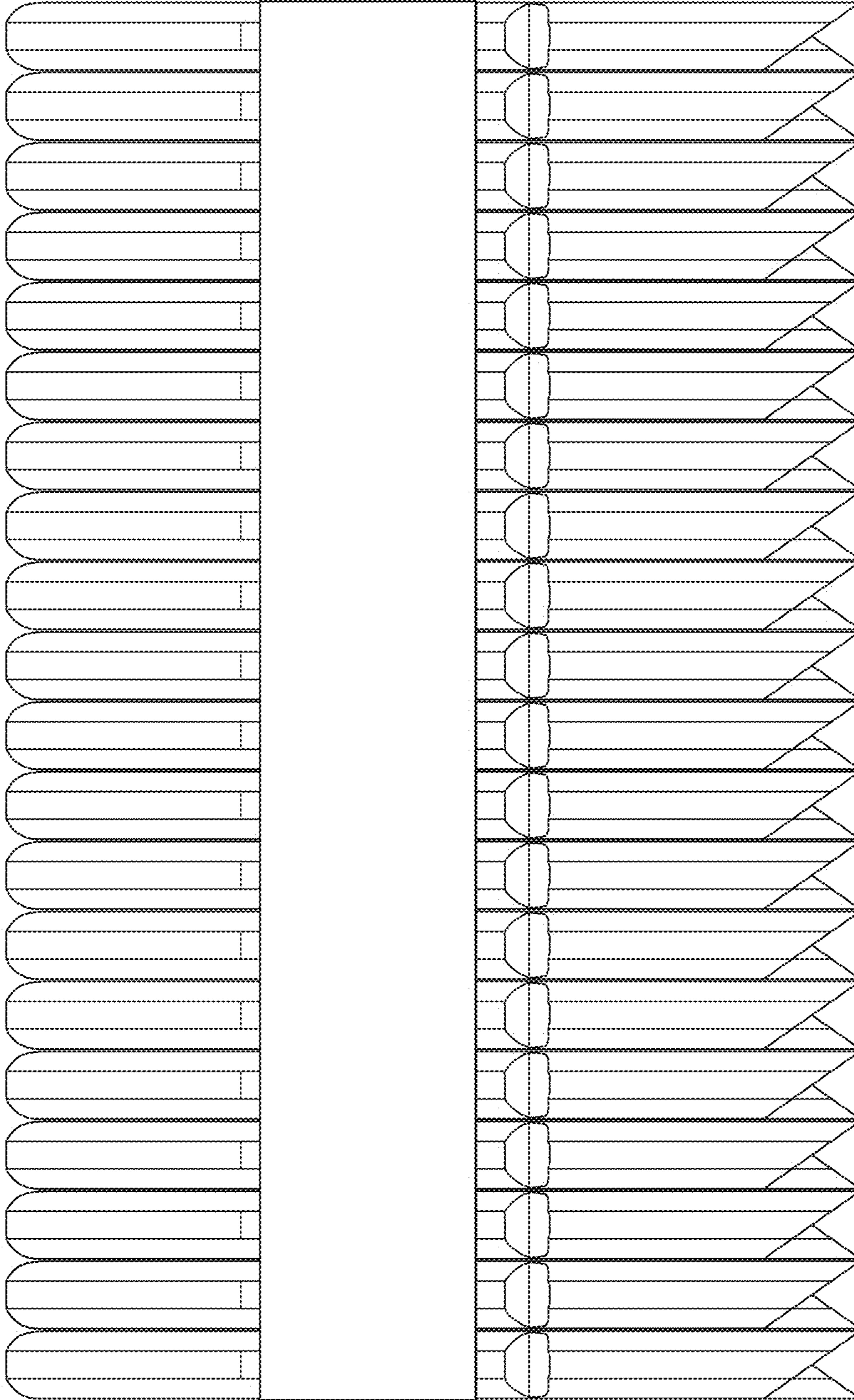
**FIG. 36**



**FIG. 37**



**FIG. 38**



**FIG. 39**

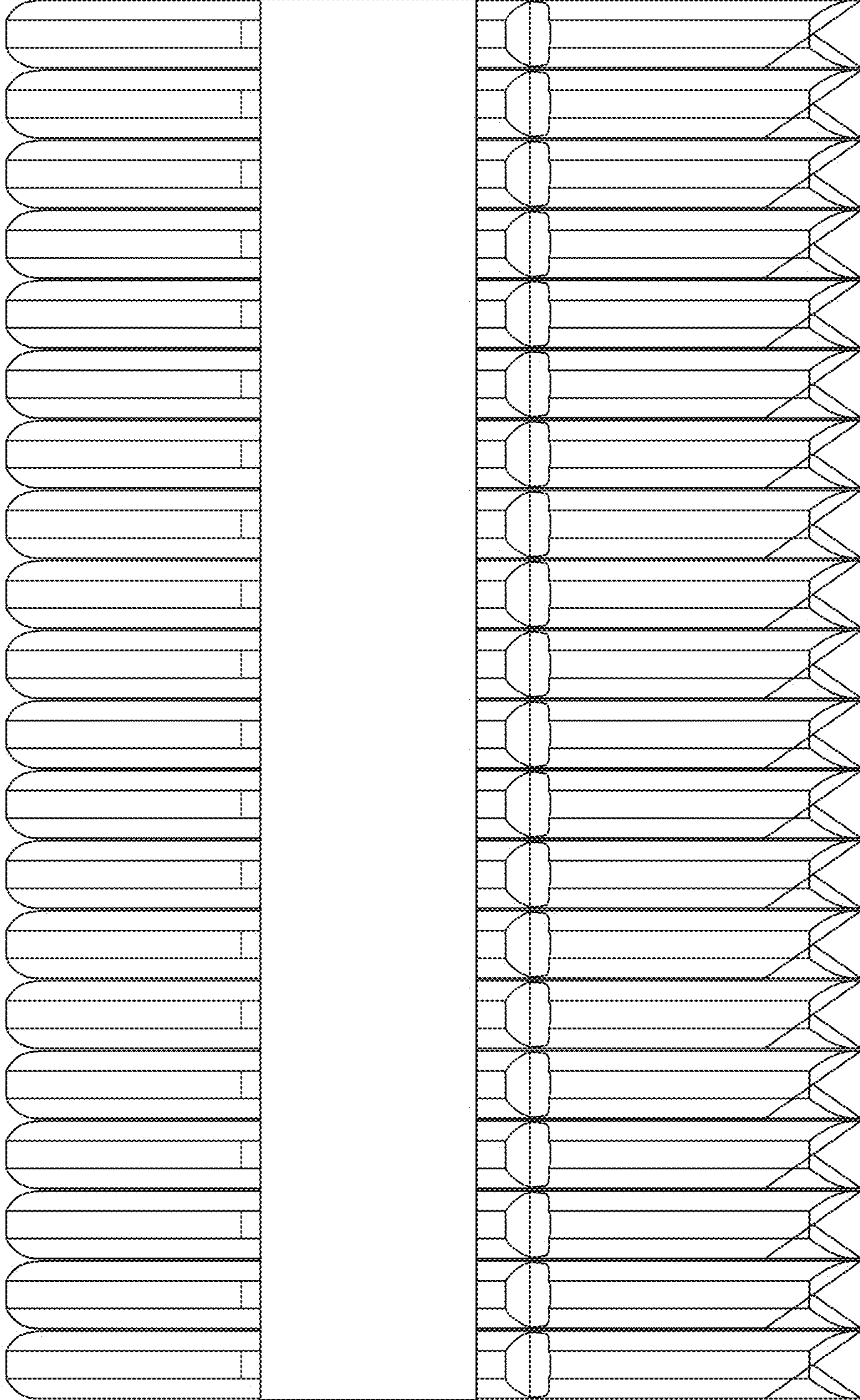
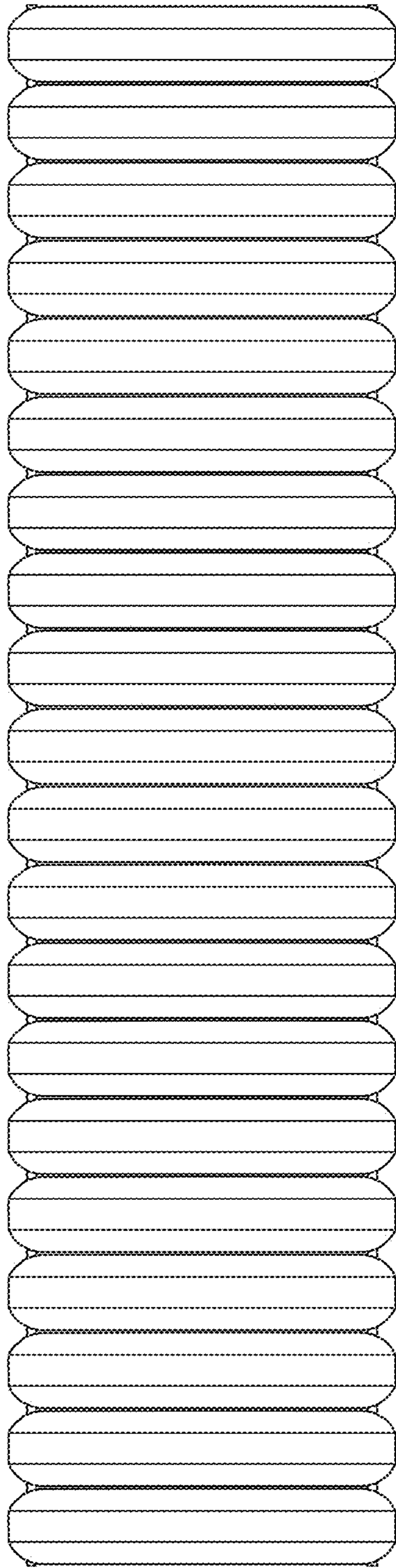
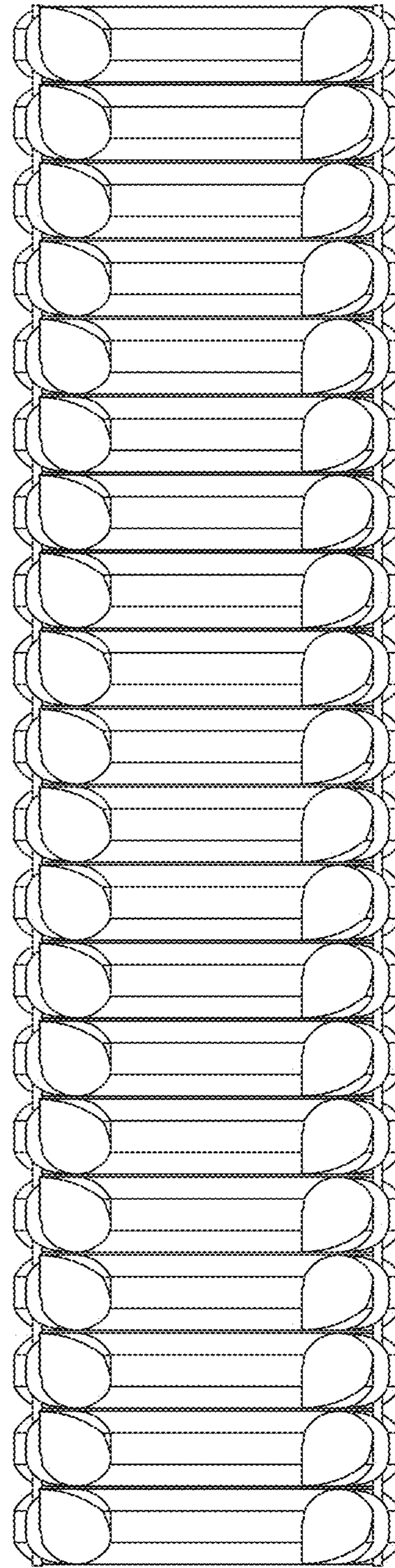


FIG. 40



**FIG. 41**



**FIG. 42**