



US00D976092S

(12) **United States Design Patent** (10) **Patent No.:** **US D976,092 S**
Schicker (45) **Date of Patent:** **** Jan. 24, 2023**

(54) **CLEVIS** 5,399,042 A * 3/1995 Ivel E21B 7/28
403/165
(71) Applicant: **FLEXIDRILL LIMITED**, Auckland 5,607,248 A * 3/1997 Hasse F16G 15/08
(NZ) 403/165
5,607,257 A * 3/1997 Brewis E21B 7/28
285/276

(72) Inventor: **Owen Schicker**, Timaru (NZ)
(73) Assignee: **FLEXIDRILL LIMITED**, Auckland (NZ)

(**) Term: **15 Years**
(21) Appl. No.: **29/718,334**

(22) Filed: **Dec. 23, 2019**

(30) **Foreign Application Priority Data**
Jun. 24, 2019 (NZ) 426165
(51) **LOC (14) Cl.** **08-08**
(52) **U.S. Cl.**
USPC **D8/382**
(58) **Field of Classification Search**
USPC D8/349, 354, 382, 383, 356, 367
CPC F16G 11/08; F16G 15/08; E21B 17/05;
E21B 17/023; E21B 23/14
See application file for complete search history.

(56) **References Cited**
U.S. PATENT DOCUMENTS
985,915 A * 3/1911 Marchand F16G 11/04
403/275
4,600,331 A * 7/1986 Gray F16G 15/08
403/165
4,669,907 A * 6/1987 Patton F16G 15/08
294/82.1
4,687,365 A * 8/1987 Promersberger F16G 11/08
254/134.3 FT
5,020,195 A * 6/1991 LeVahn A61B 17/02
24/514
5,217,315 A * 6/1993 Rosane A61G 1/013
403/100

(Continued)
FOREIGN PATENT DOCUMENTS
WO 2017/079801 A1 5/2017

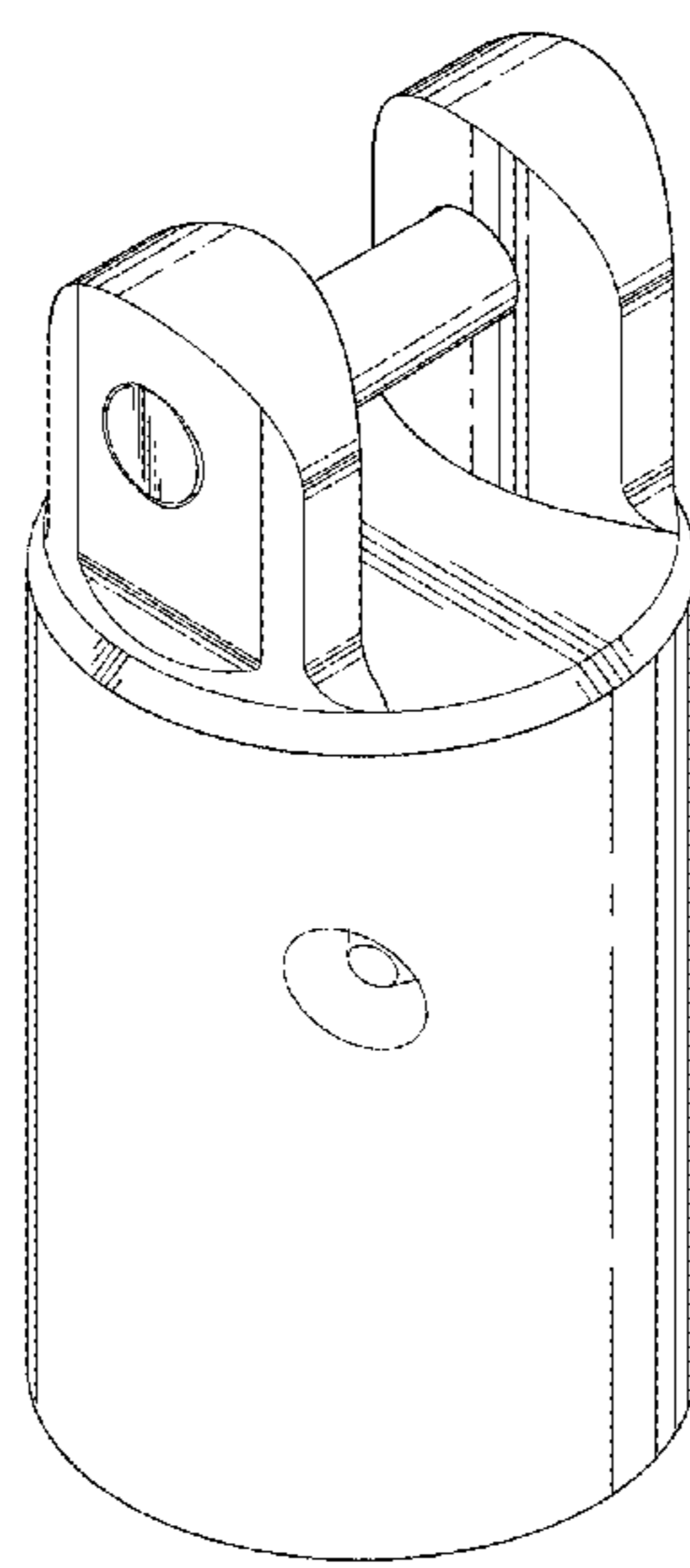
OTHER PUBLICATIONS
Australian Patent Office, International Search Report issued in corresponding Application No. PCT/IB2019/051217, dated May 16, 2019.
(Continued)

Primary Examiner — Sheryl Lane
Assistant Examiner — Iesha N Price
(74) *Attorney, Agent, or Firm* — Stites & Harbison, PLLC; Terry L. Wright

(57) **CLAIM**
The ornamental design for a clevis, as shown and described.

DESCRIPTION
FIG. 1 is a perspective view of the clevis of the present invention;
FIG. 2 is a front elevational view of the clevis of FIG. 1;
FIG. 3 is a rear elevational view of the clevis of FIG. 1;
FIG. 4 is a left side elevational view of the clevis of FIG. 1;
FIG. 5 is a right side elevational view of the clevis of FIG. 1;
FIG. 6 is a top plan view of the clevis of FIG. 1; and,
FIG. 7 is a bottom plan view of the clevis of FIG. 1.
The broken lines in the drawings illustrate portions of the clevis and form no part of the claimed design.

1 Claim, 6 Drawing Sheets



(56)

References Cited

U.S. PATENT DOCUMENTS

5,772,350 A * 6/1998 Ferguson E21B 17/05
277/345
6,554,524 B1 * 4/2003 Smith H02G 7/04
403/78
7,217,056 B2 5/2007 Cooper
D551,528 S * 9/2007 Vautour D8/72
D589,785 S * 4/2009 Scotti D8/382
D594,380 S * 6/2009 Somers D11/181
D615,006 S * 5/2010 Goodman D12/162
D633,782 S * 3/2011 Tompkins D8/382
D652,286 S * 1/2012 Mair D8/356
8,333,255 B2 12/2012 Drenth
D700,572 S * 3/2014 Esses D13/108
D722,864 S * 2/2015 Greenthal D8/382
D727,138 S * 4/2015 Cross D8/382
9,086,118 B2 * 7/2015 Campbell F16G 15/06
D851,484 S * 6/2019 Veilleux D8/394
D851,485 S * 6/2019 Veilleux D8/394
D866,309 S * 11/2019 McGrath D8/382
D867,117 S * 11/2019 McGrath D8/382
10,709,920 B2 * 7/2020 Hopkins A63B 21/4035
2007/0044448 A1 3/2007 Bosley et al.
2009/0283327 A1 * 11/2009 Drenth E21B 17/023
175/58
2021/0047888 A1 * 2/2021 Schicker E21B 25/00

OTHER PUBLICATIONS

Australian Patent Office, Written Opinion issued in corresponding Application No. PCT/IB2019/051217, dated May 16, 2019.

* cited by examiner

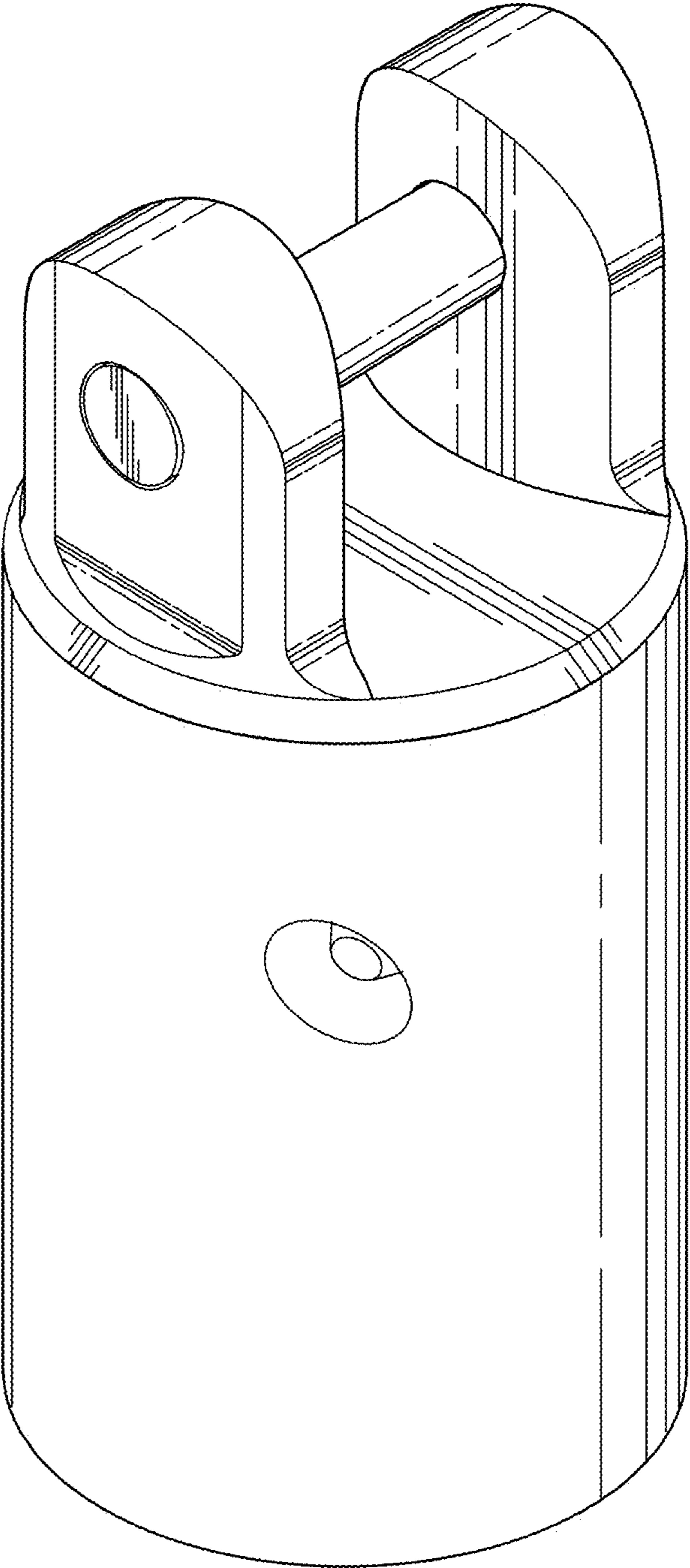


FIG. 1

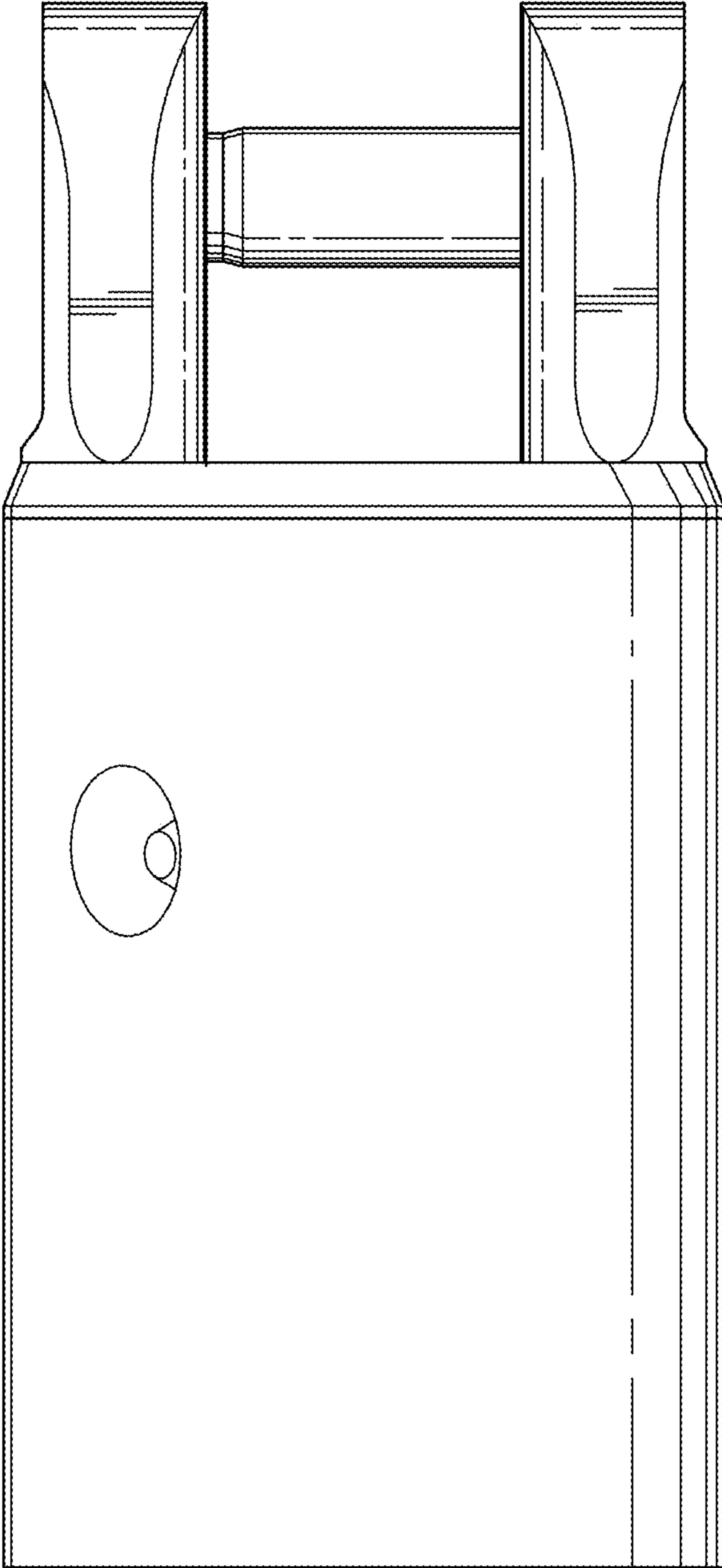


FIG. 2

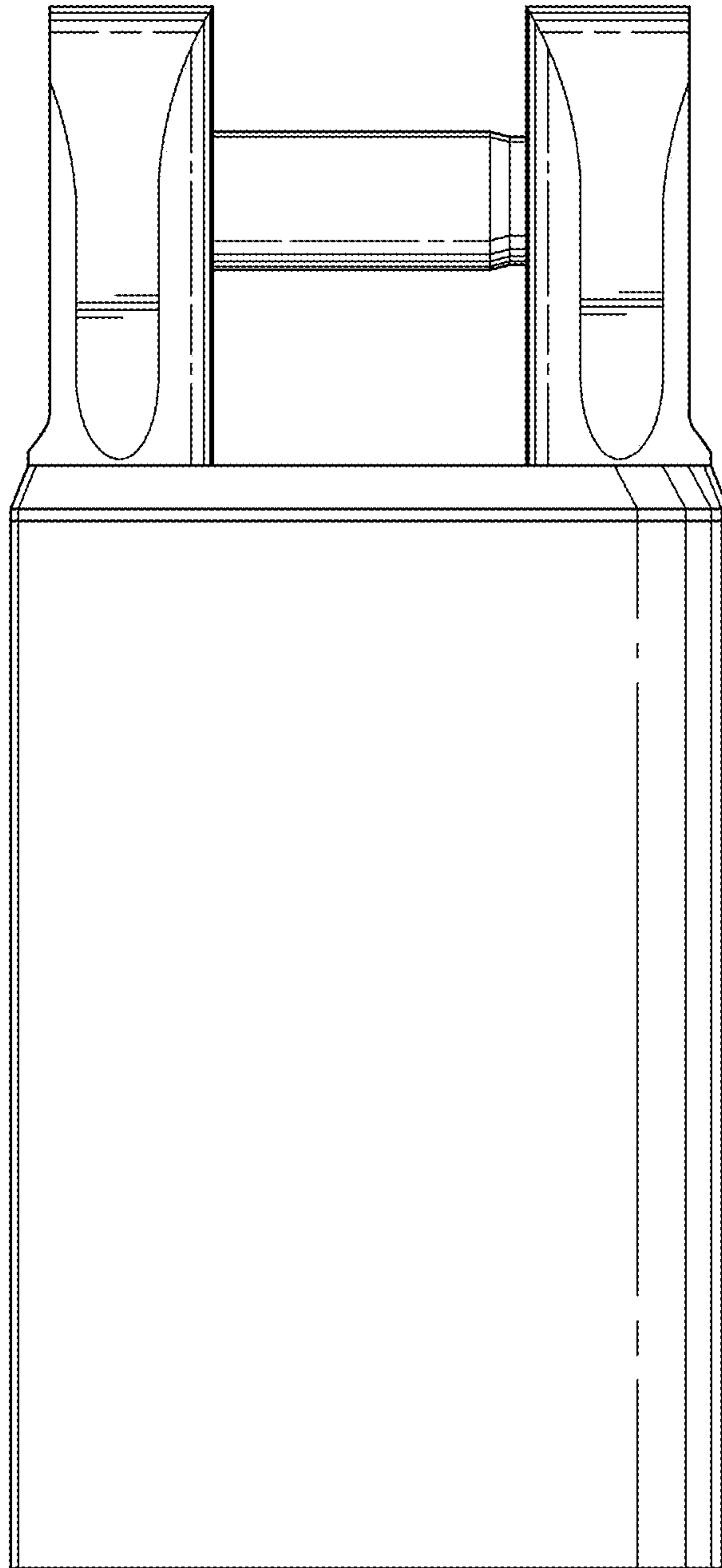


FIG. 3

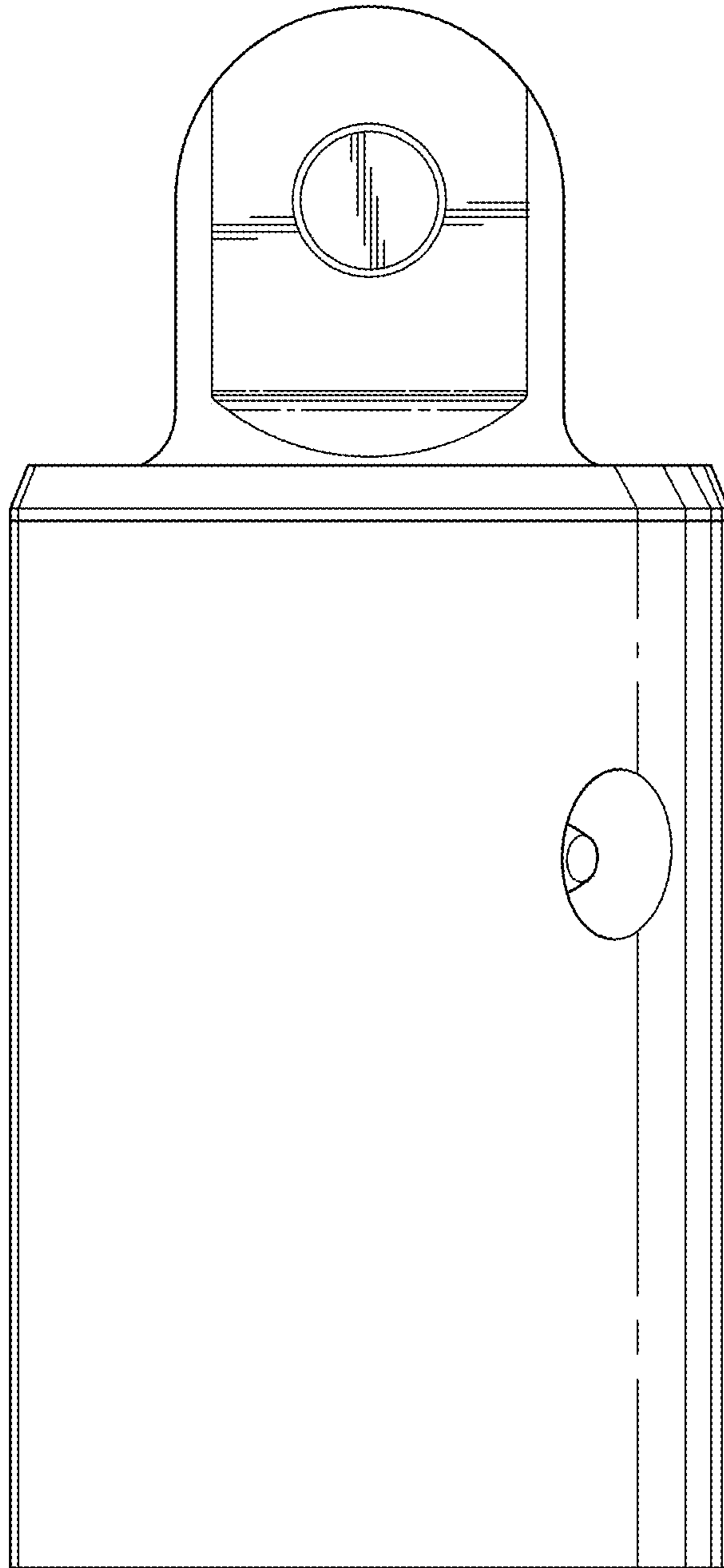


FIG. 4

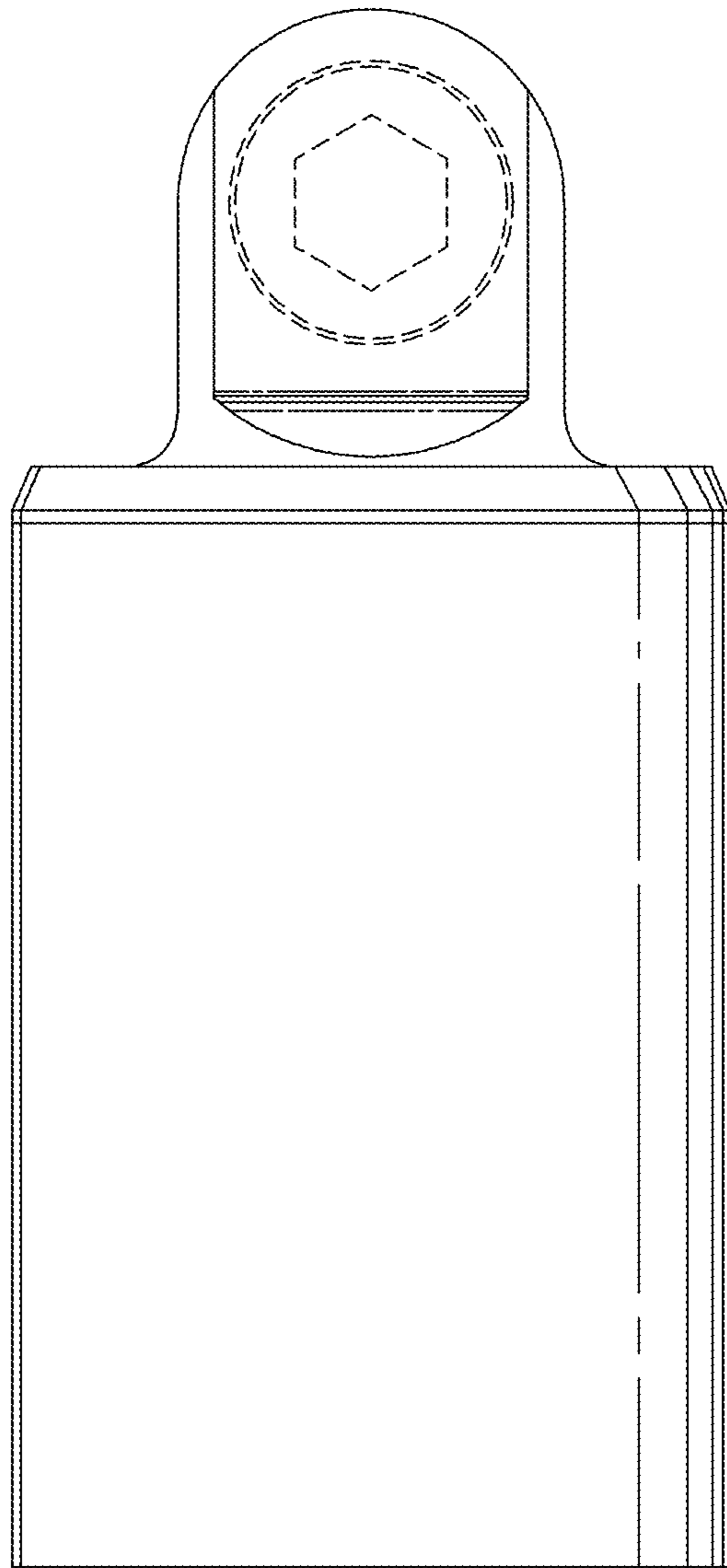


FIG. 5

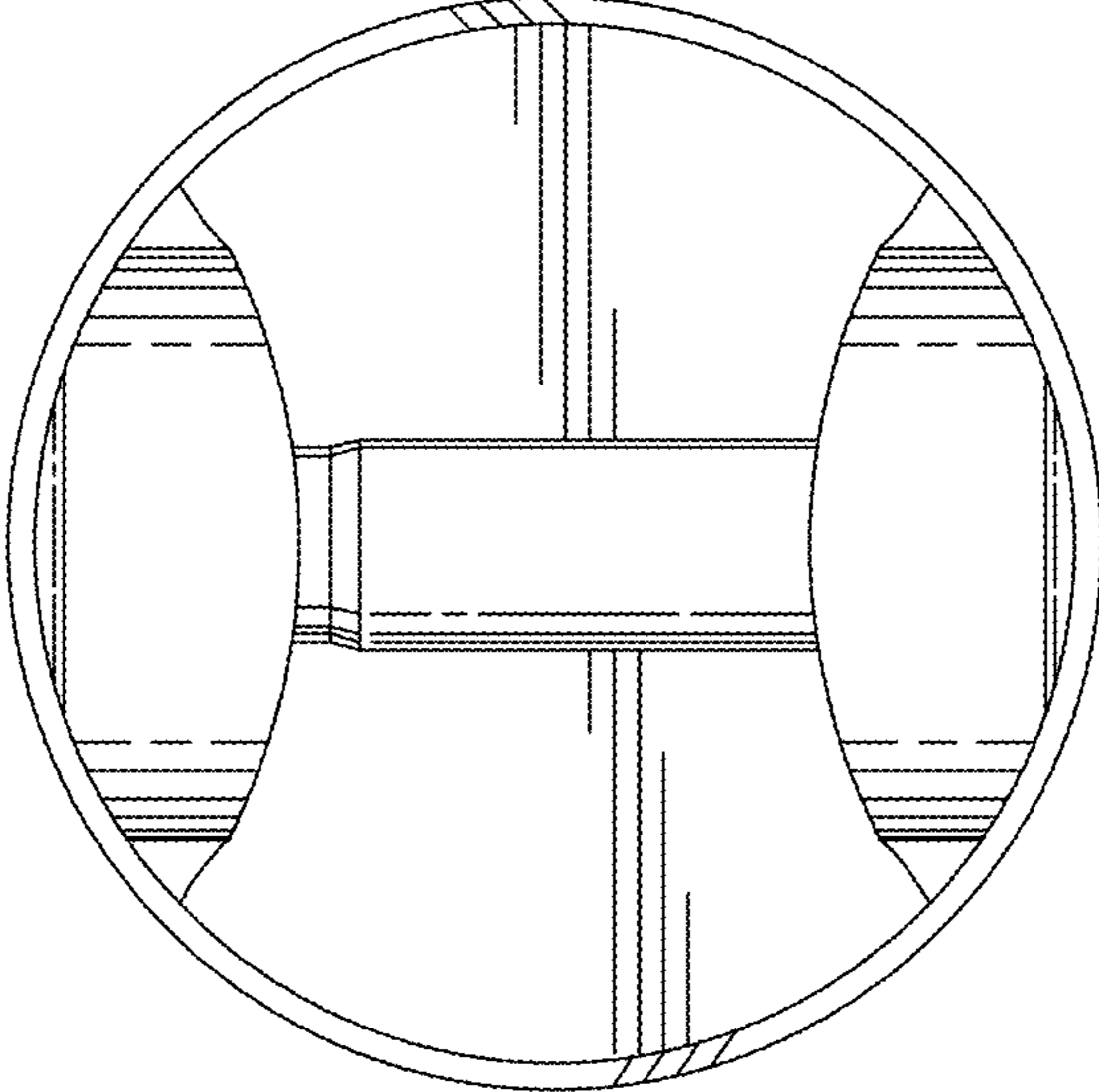


FIG. 6

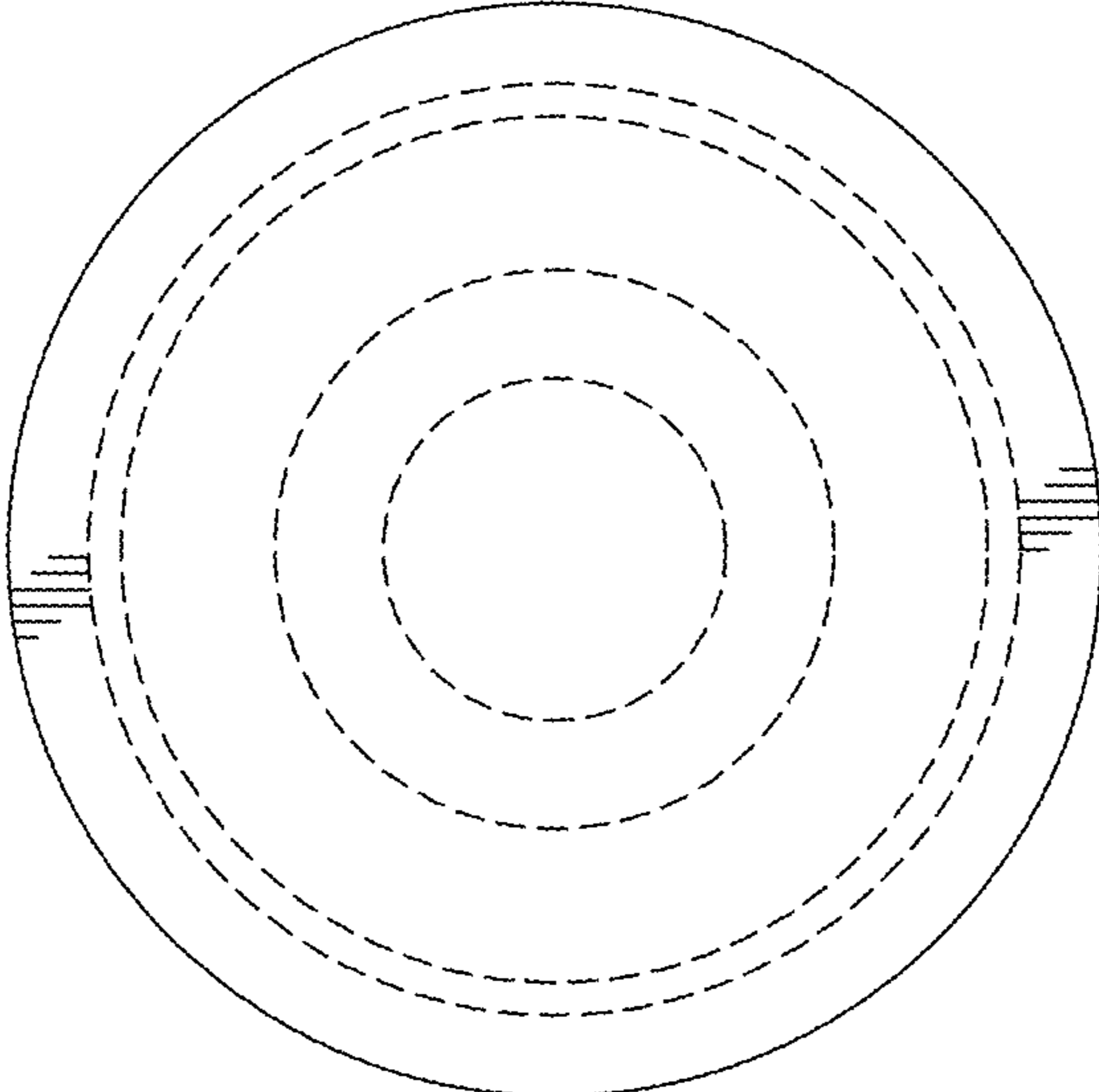


FIG. 7