

US00D976091S

(12) **United States Design Patent**
LeCount et al.

(10) **Patent No.:** **US D976,091 S**
(45) **Date of Patent:** **** Jan. 24, 2023**

(54) **J-CHANNEL SIDING DEVICE**
(71) Applicants: **Glen LeCount**, Roland, IA (US);
Richard LeCount, Cromwell, IN (US)
(72) Inventors: **Glen LeCount**, Roland, IA (US);
Richard LeCount, Cromwell, IN (US)

7,383,669 B2 6/2008 Morse
D749,405 S * 2/2016 White D8/380
9,428,910 B2 8/2016 Olvey
D876,210 S * 2/2020 Arnall D8/380
10,557,272 B1 * 2/2020 Moses, Jr. B32B 3/30
10,697,183 B1 * 6/2020 Ferguson E04F 13/083
10,753,083 B2 * 8/2020 Baltz, Jr. E04B 1/7038

* cited by examiner

(**) Term: **15 Years**

Primary Examiner — Doris Clark

(21) Appl. No.: **29/844,277**

(74) *Attorney, Agent, or Firm* — Boudwin Intellectual Property; Daniel Boudwin

(22) Filed: **Jun. 28, 2022**

(51) **LOC (14) Cl.** **08-05**

(57) **CLAIM**

(52) **U.S. Cl.**
USPC **D8/380**

The ornamental design for a J-channel siding device, as shown and described.

(58) **Field of Classification Search**
USPC D8/363, 380
CPC E04F 13/24; E04F 13/26; E04F 13/0864;
E04F 19/02
See application file for complete search history.

DESCRIPTION

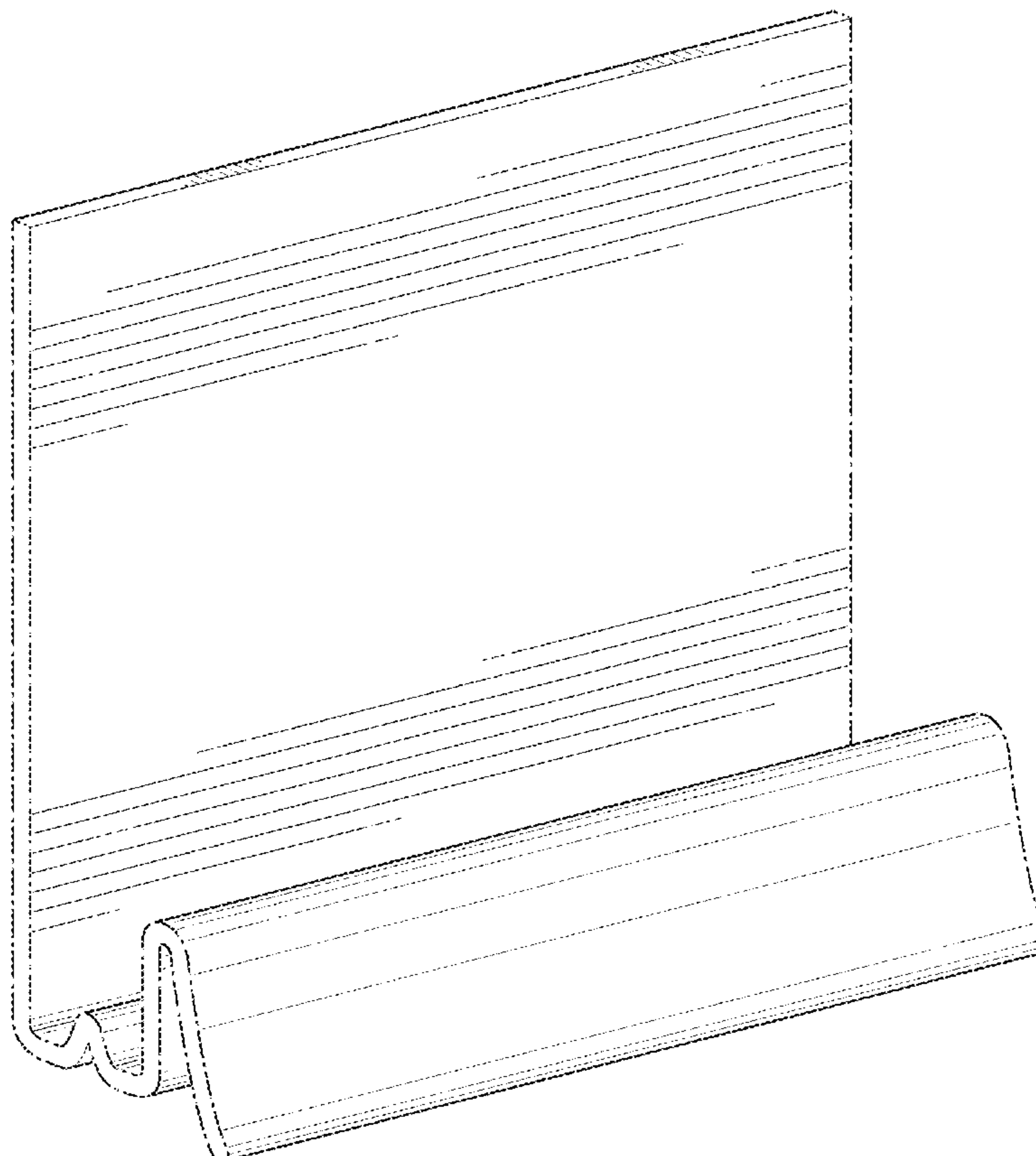
(56) **References Cited**

U.S. PATENT DOCUMENTS

967,415 A 8/1910 Mcfarland
1,915,964 A 6/1933 Wall
4,054,012 A 10/1977 Paradisi et al.
4,327,528 A 5/1982 Fritz
4,348,849 A 9/1982 Wollam et al.
5,694,728 A 12/1997 Heath, Jr. et al.
5,916,095 A 6/1999 Tamlyn

FIG. 1 is a perspective view of an embodiment of the j-channel siding device.
FIG. 2 is a left side elevation view thereof.
FIG. 3 is a right side elevation view thereof.
FIG. 4 is a rear elevation view thereof.
FIG. 5 is a front elevation view thereof.
FIG. 6 is a top plan view thereof; and,
FIG. 7 is a bottom plan view thereof.
The dash-dot-dash broken lines shown in the Figures define a boundary to which the claim extends but does not include.

1 Claim, 5 Drawing Sheets



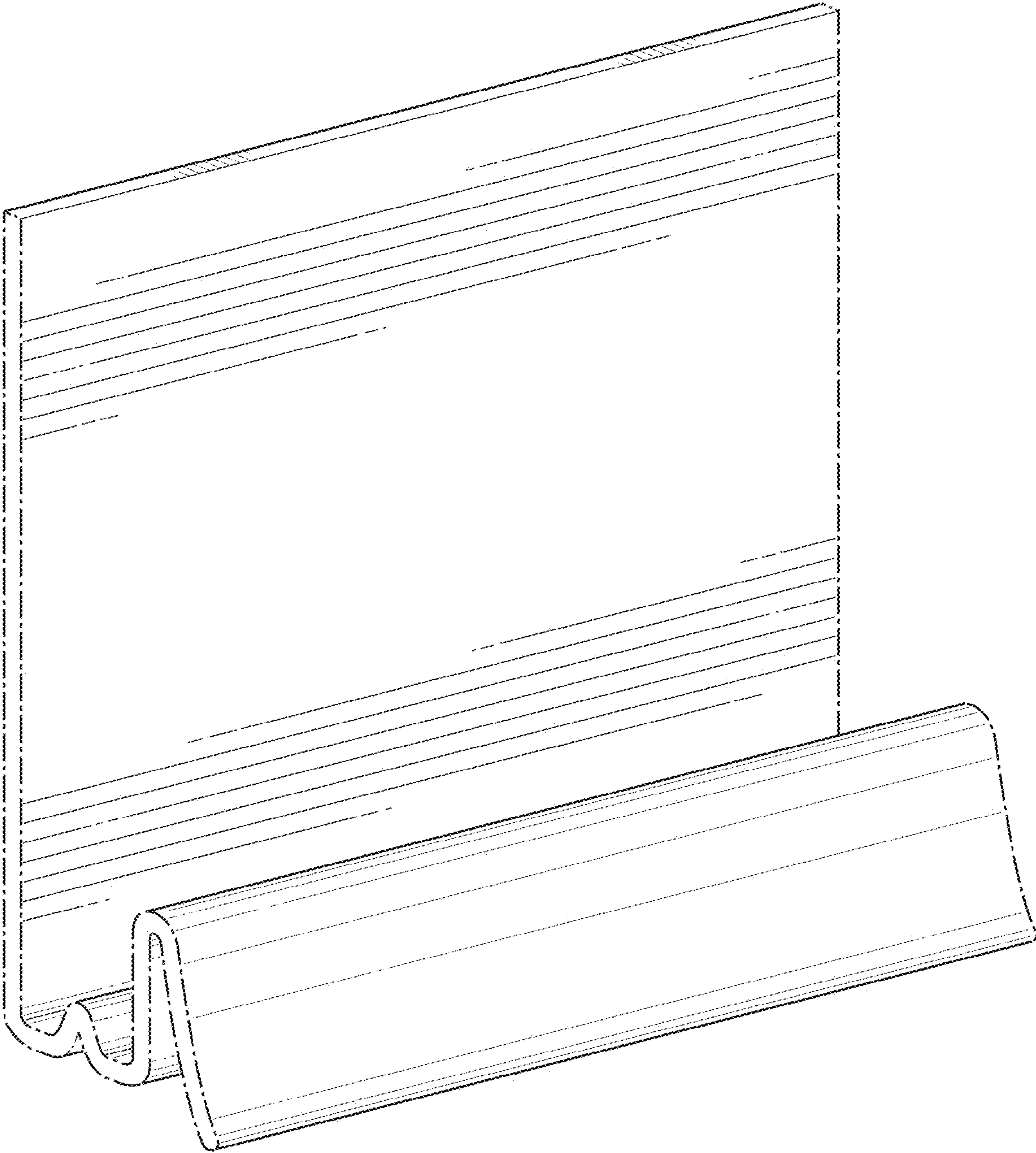


FIG. 1

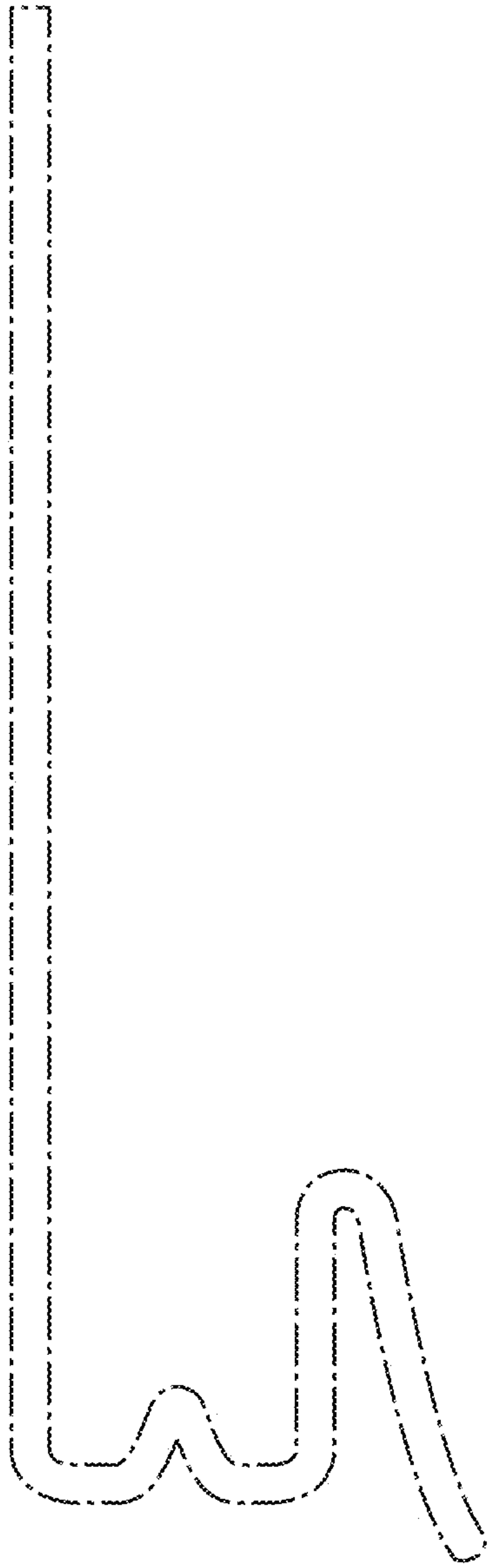


FIG. 2

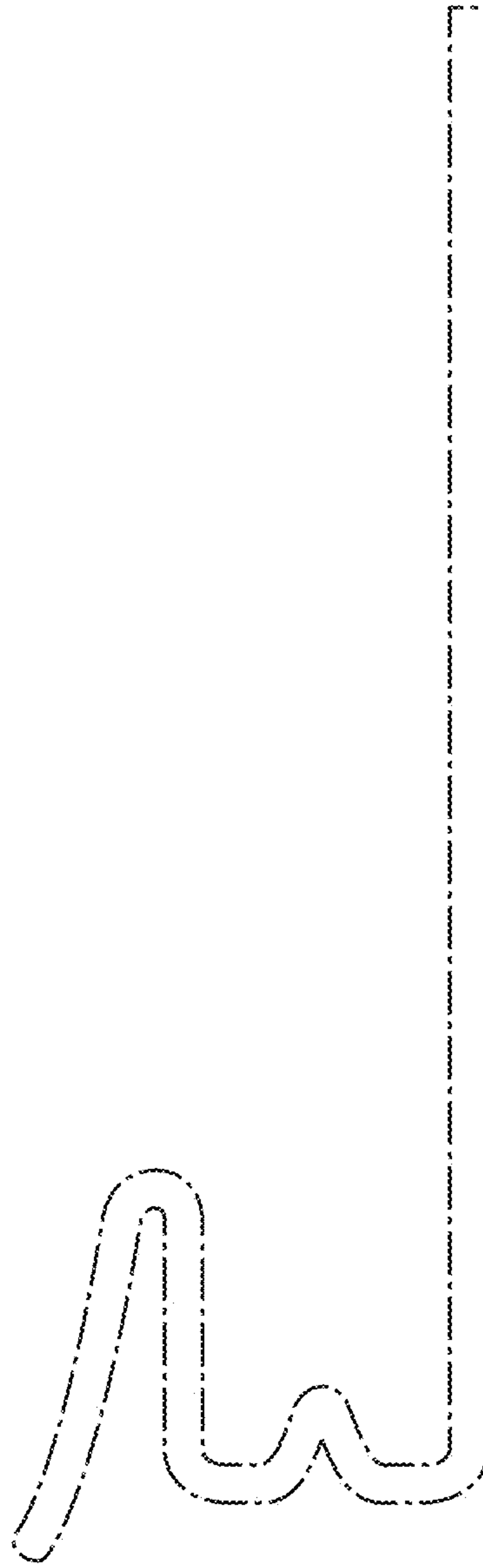


FIG. 3

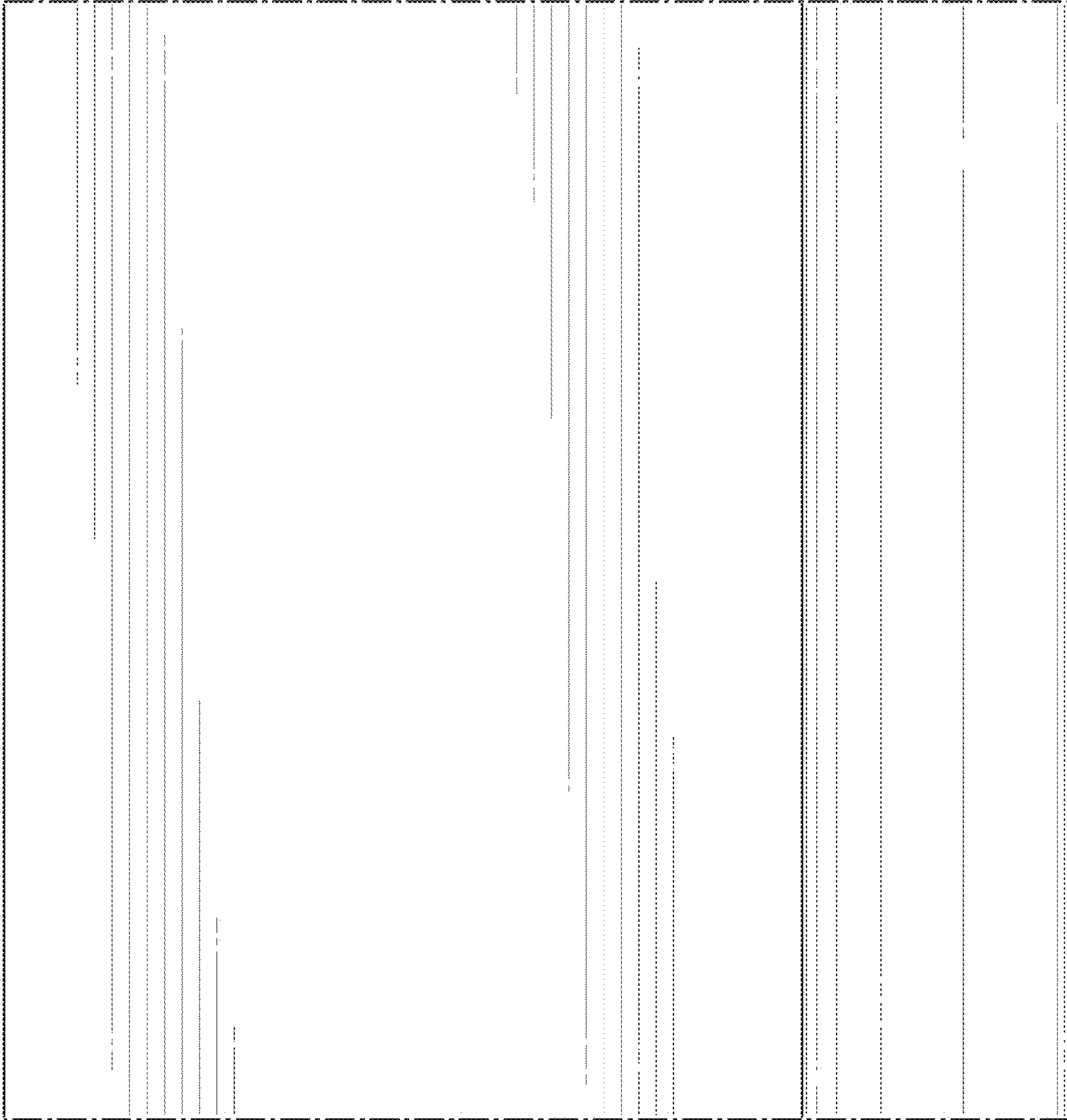


FIG. 4

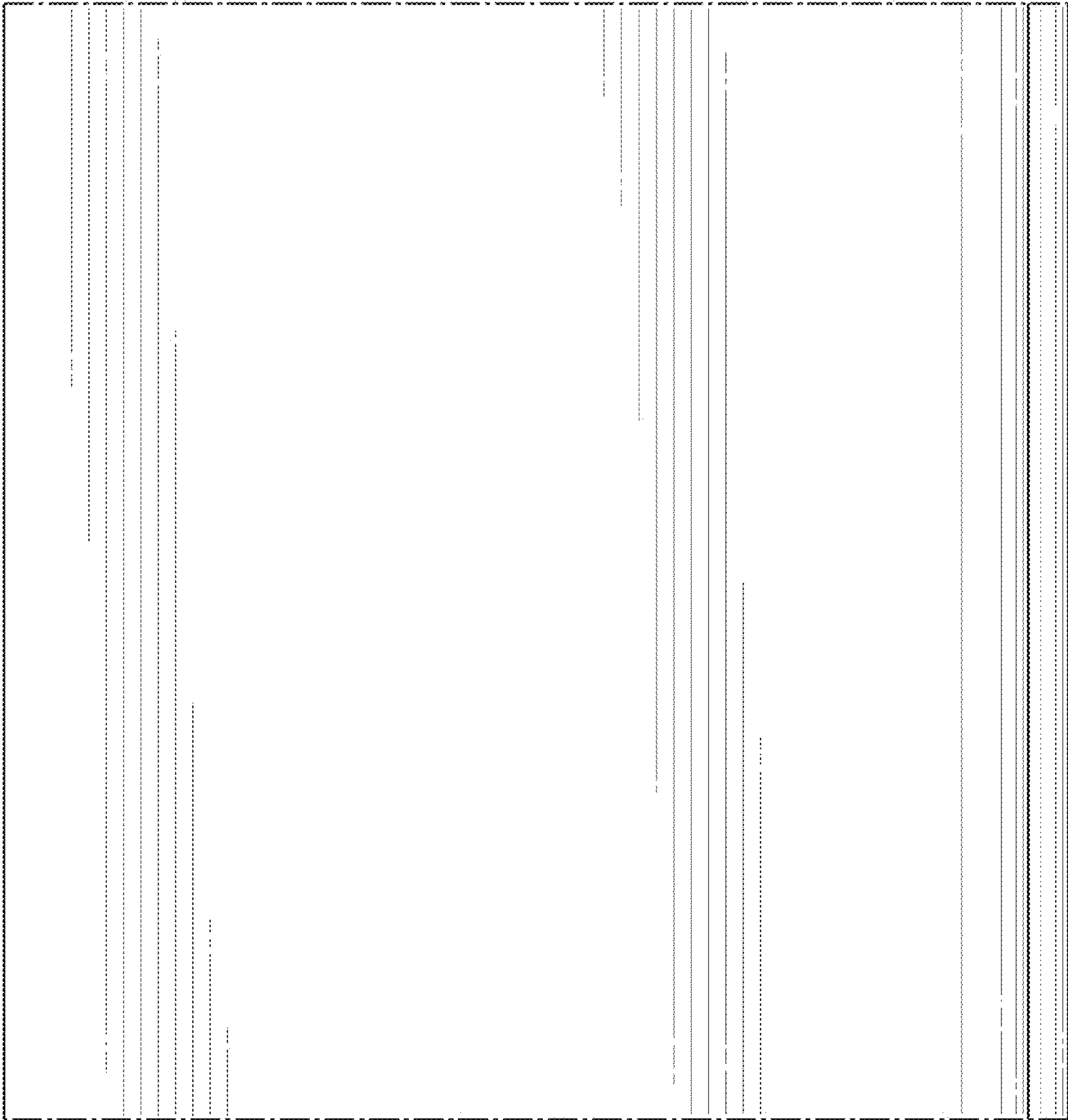


FIG. 5

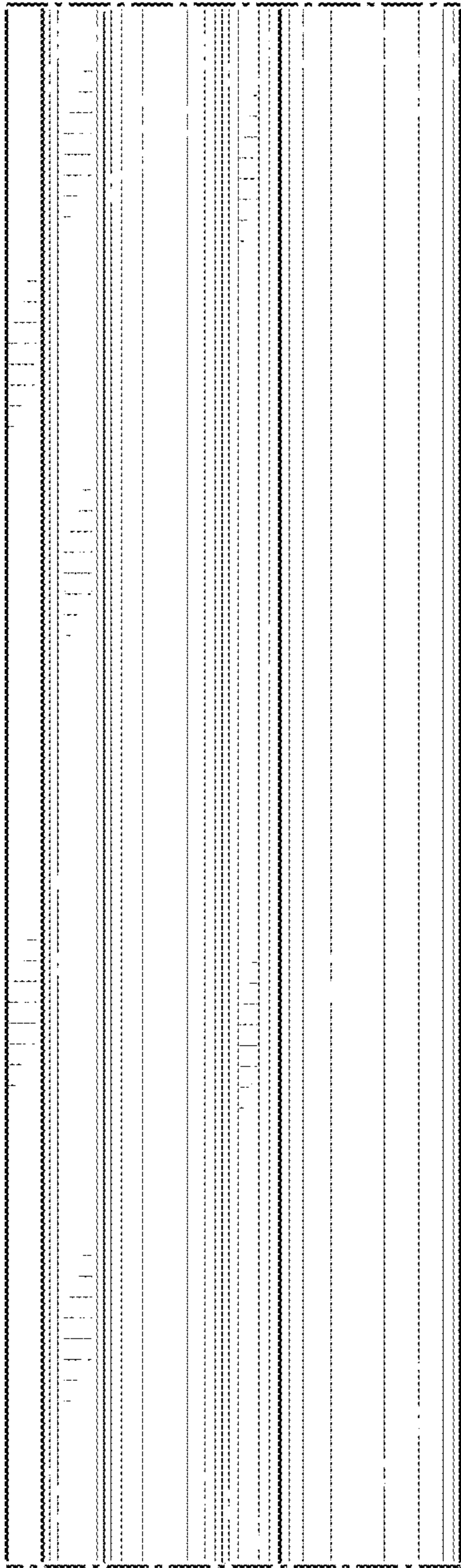


FIG. 6

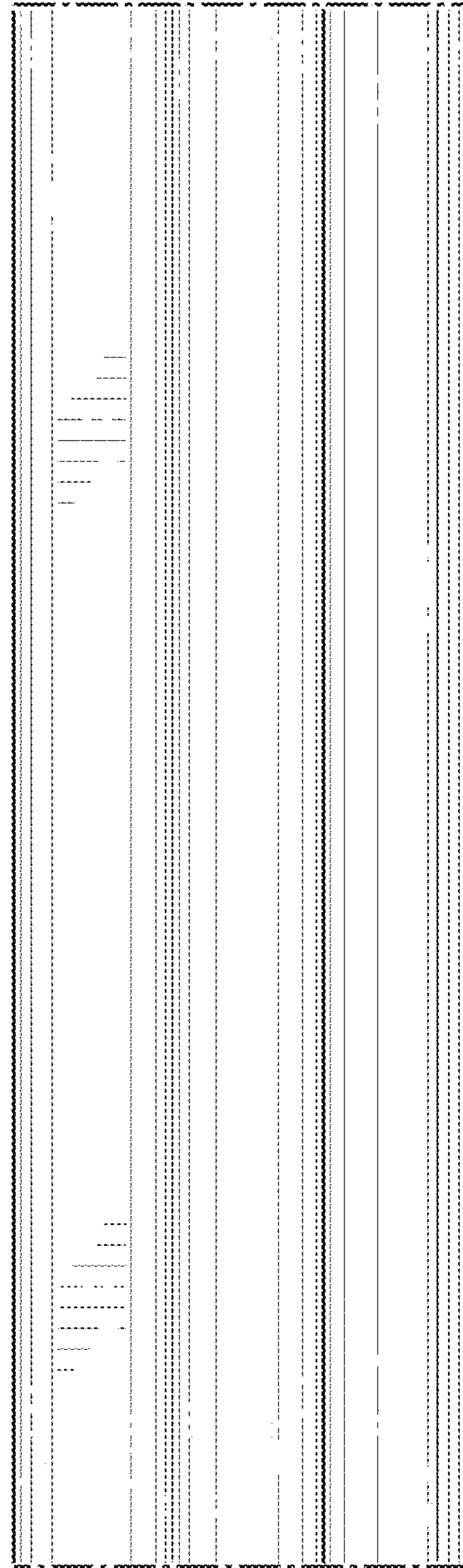


FIG. 7