



US00D976090S

(12) **United States Design Patent** (10) **Patent No.:** **US D976,090 S**
Choi (45) **Date of Patent:** **** *Jan. 24, 2023**

(54) BASE BRACKET	8,967,227 B2 * 3/2015 Chou E06B 9/50 160/23.1
(71) Applicant: Kyle Choi , San Marino, CA (US)	D731,876 S * 6/2015 Di Stefano D8/363
(72) Inventor: Kyle Choi , San Marino, CA (US)	D740,589 S * 10/2015 Ng D6/580
(*) Notice: This patent is subject to a terminal disclaimer.	D762,398 S * 8/2016 Ng D6/580
(**) Term: 15 Years	D823,674 S * 7/2018 Ng D8/380
(21) Appl. No.: 29/751,154	10,323,793 B2 * 6/2019 Daniels A47H 1/13
(22) Filed: Sep. 18, 2020	2002/0066842 A1 * 6/2002 Curry A47H 1/14 248/261
(51) LOC (14) Cl. 08-05	2004/0003904 A1 * 1/2004 Fraczek E06B 9/50 160/319
(52) U.S. Cl.	2004/0129849 A1 * 7/2004 Walker E06B 9/72 248/266
(58) Field of Classification Search	
USPC D8/380	
CPC A47H 1/12; A47H 1/13; A47H 1/14; E06B 9/42; E06B 9/50; E06B 9/323	
See application file for complete search history.	

(Continued)

OTHER PUBLICATIONS

“Installing Fascia for Indoor and Outdoor Manual Chain Shades”, May 2, 2013, YouTube.com, site visited May 27, 2022: <https://www.youtube.com/watch?v=A68oqXNMOS0> (Year: 2013).*

(Continued)

Primary Examiner — Jack Reickel
Assistant Examiner — Michael A Kervin
(74) *Attorney, Agent, or Firm* — Elizabeth Yang

(56) **References Cited**

U.S. PATENT DOCUMENTS

938,088 A * 10/1909 Sullivan E06B 9/50 248/269
2,267,160 A * 12/1941 McKerlie E06B 9/323 160/902
2,515,067 A * 7/1950 Wright E06B 9/323 248/264
3,695,568 A * 10/1972 Hogrebe H04N 5/64 248/222.51
6,935,401 B2 * 8/2005 Fraczek E06B 9/50 160/321
D557,117 S * 12/2007 Cannaverde D8/354
D596,018 S * 7/2009 Lisowski D8/380
D596,019 S * 7/2009 Lisowski D8/380
D596,020 S * 7/2009 Lisowski D8/380
D700,831 S * 3/2014 Ng D8/380
D700,832 S * 3/2014 Ng D8/380
D700,833 S * 3/2014 Ng D8/380

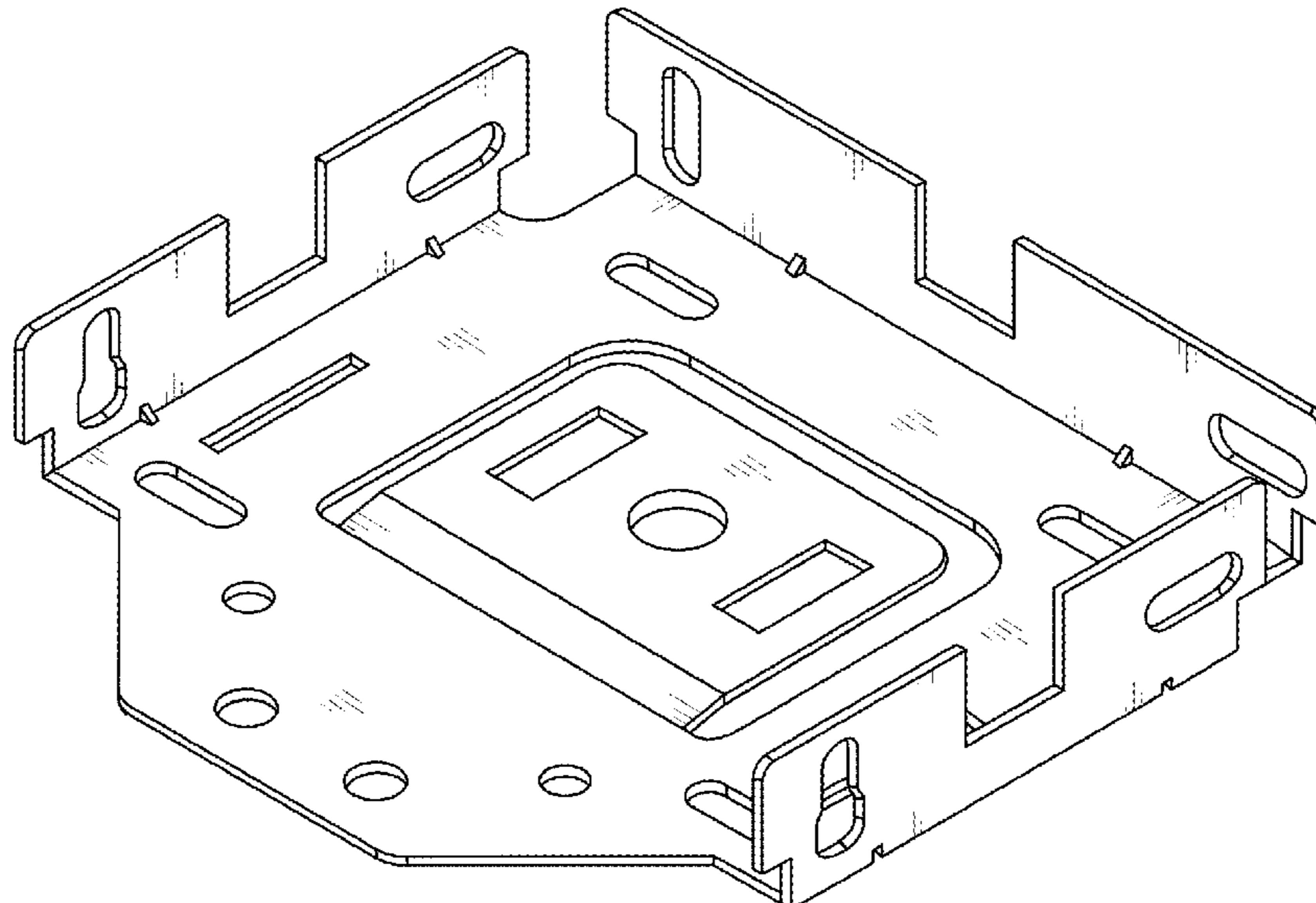
(57) **CLAIM**

The ornamental design for a base bracket, as shown and described.

DESCRIPTION

FIG. 1 is a front perspective view of a base bracket, showing my new design;
FIG. 2 is a rear perspective view thereof;
FIG. 3 is a front view thereof;
FIG. 4 is a back view thereof;
FIG. 5 is a left side view thereof;
FIG. 6 is a right side view thereof;
FIG. 7 is a top view thereof; and,
FIG. 8 is a bottom view thereof.

1 Claim, 6 Drawing Sheets



(56)

References Cited

U.S. PATENT DOCUMENTS

2007/0284065 A1* 12/2007 Gitkin E06B 9/266
160/262
2009/0152422 A1* 6/2009 Ng E06B 9/50
248/265
2010/0181447 A1* 7/2010 Gretz H02G 3/263
248/221.11
2011/0233356 A1* 9/2011 Ng E06B 9/50
248/220.31
2013/0068904 A1* 3/2013 Wills E06B 9/50
248/269
2013/0105649 A1* 5/2013 Wills E06B 9/42
248/224.8
2013/0284383 A1* 10/2013 Feldstein E06B 9/50
160/311
2014/0174678 A1* 6/2014 Chou E06B 9/50
160/368.1
2017/0197527 A1* 7/2017 Simonin B60N 2/2884
2018/0231176 A1* 8/2018 Sabounjian F16M 13/02
2019/0085626 A1* 3/2019 Ng E06B 9/44
2019/0162024 A1* 5/2019 Ng E06B 9/58

OTHER PUBLICATIONS

“RollEase—4 Inch Skyline Fascia Installation”, Apr. 8, 2015,
YouTube.com, site visited May 27, 2022: [https://www.youtube.com/
watch?v=87AUIhfJs28](https://www.youtube.com/watch?v=87AUIhfJs28) (Year: 2015).*

* cited by examiner

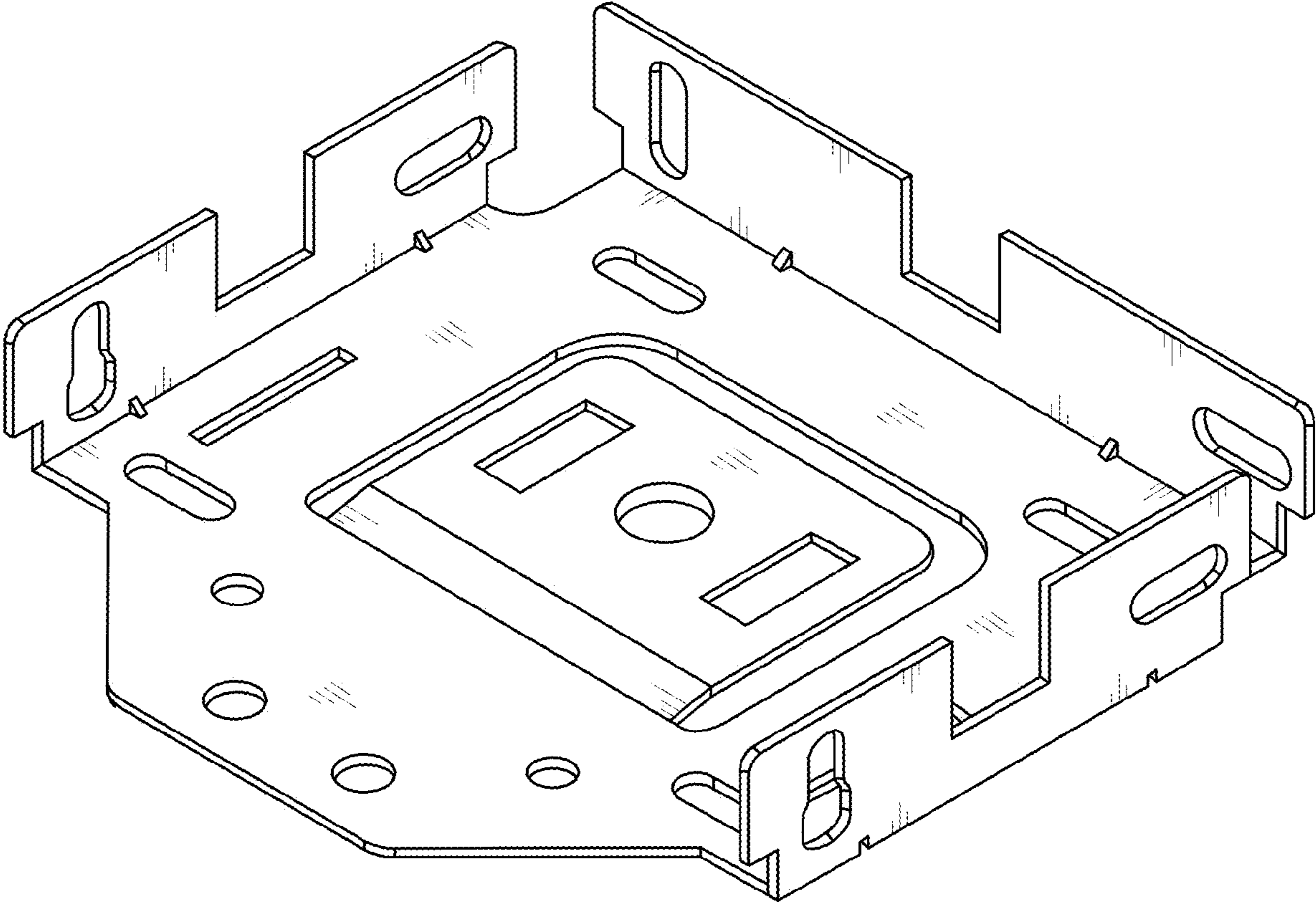


FIG. 1

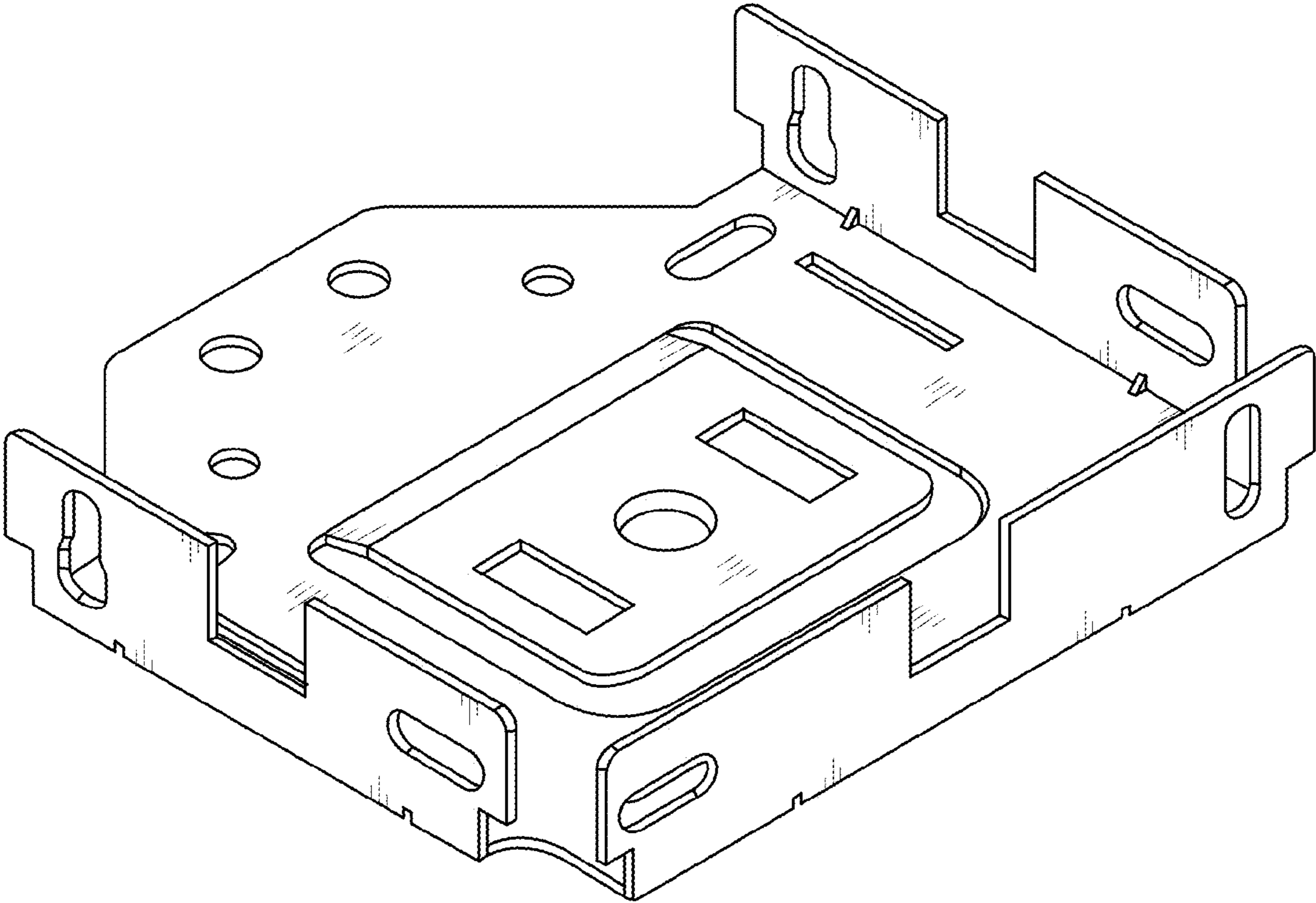


FIG. 2

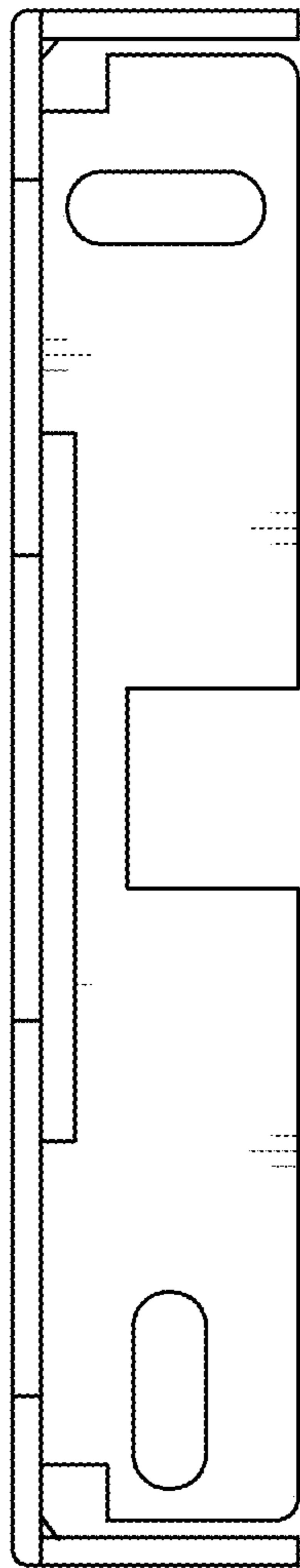


FIG. 3

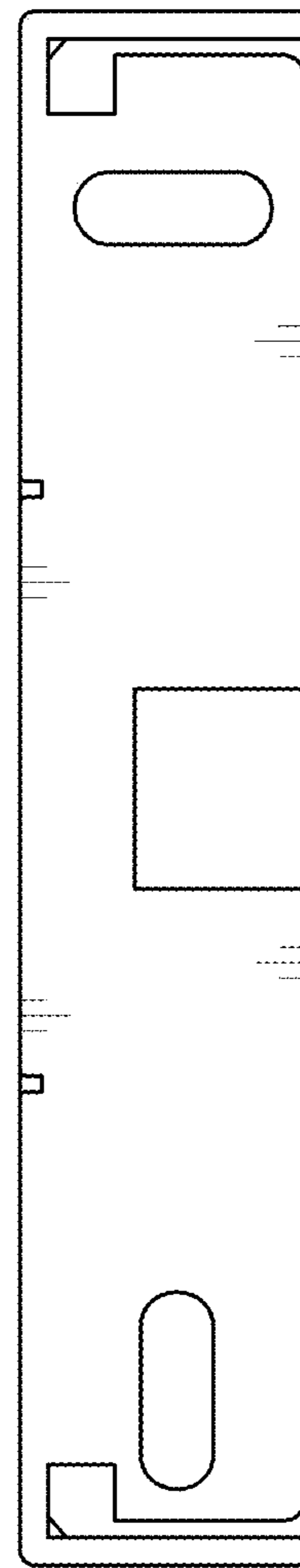


FIG. 4

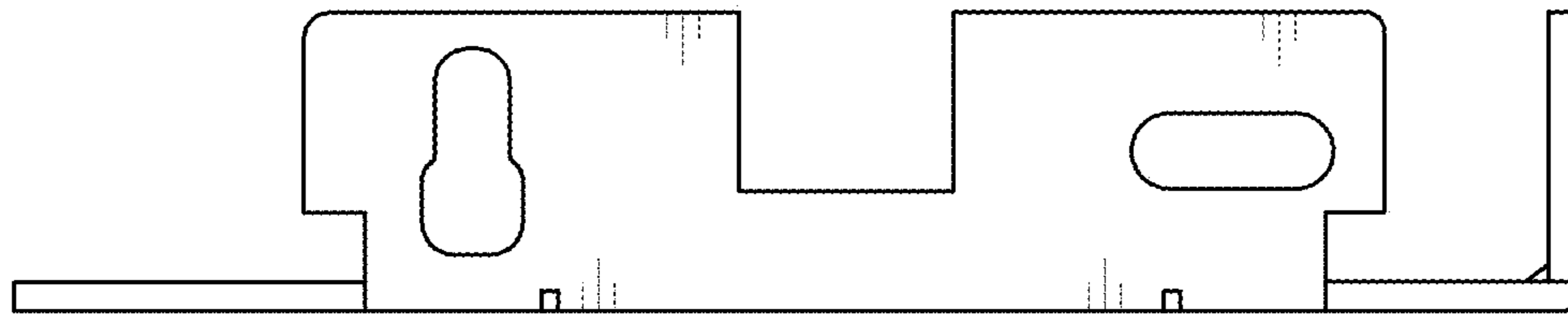


FIG. 5

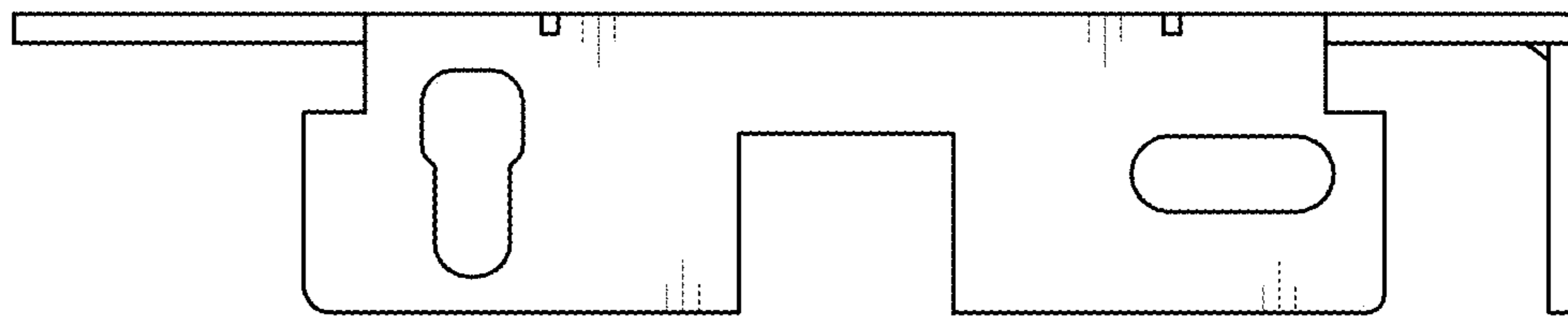


FIG. 6

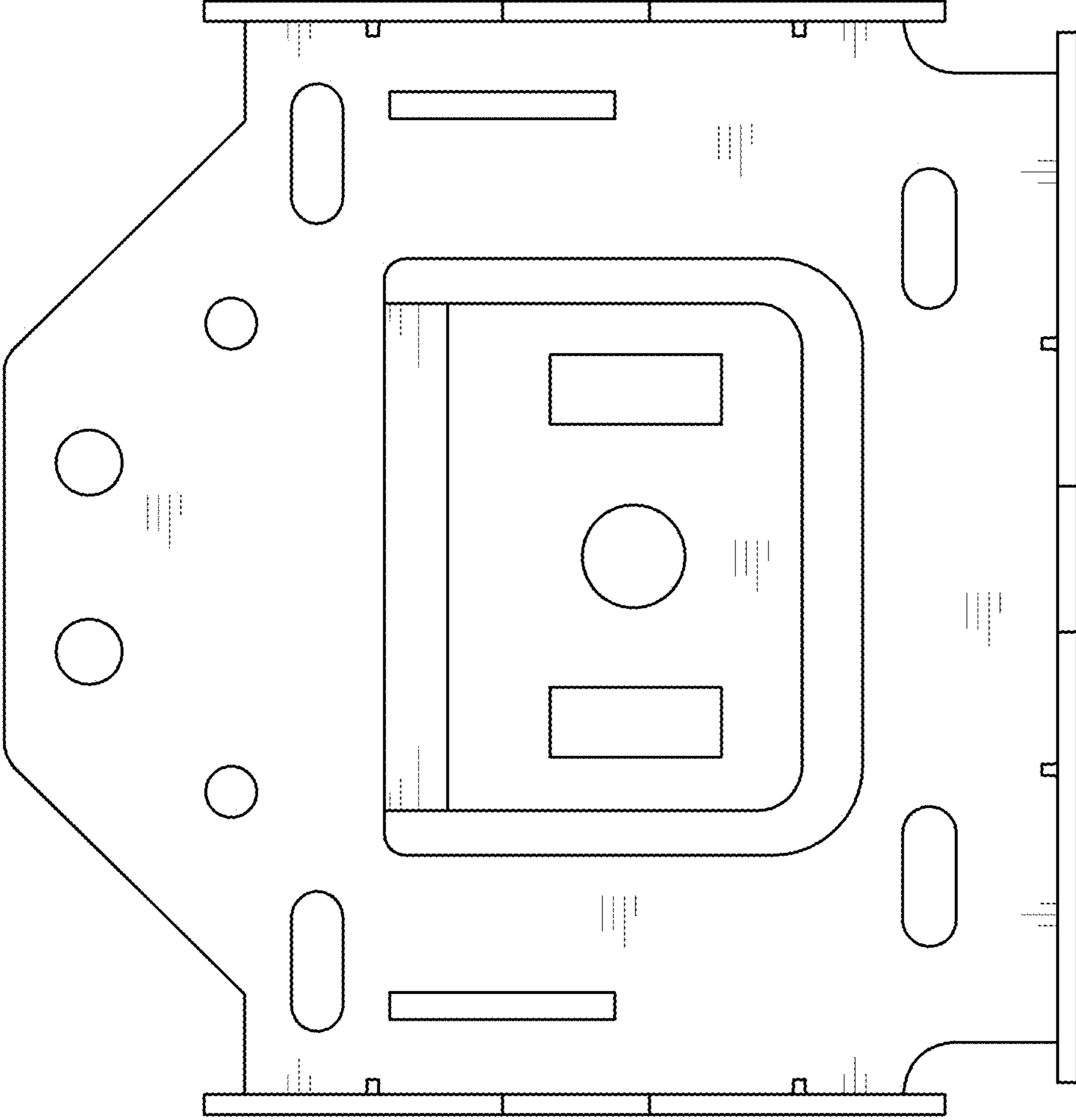


FIG. 7

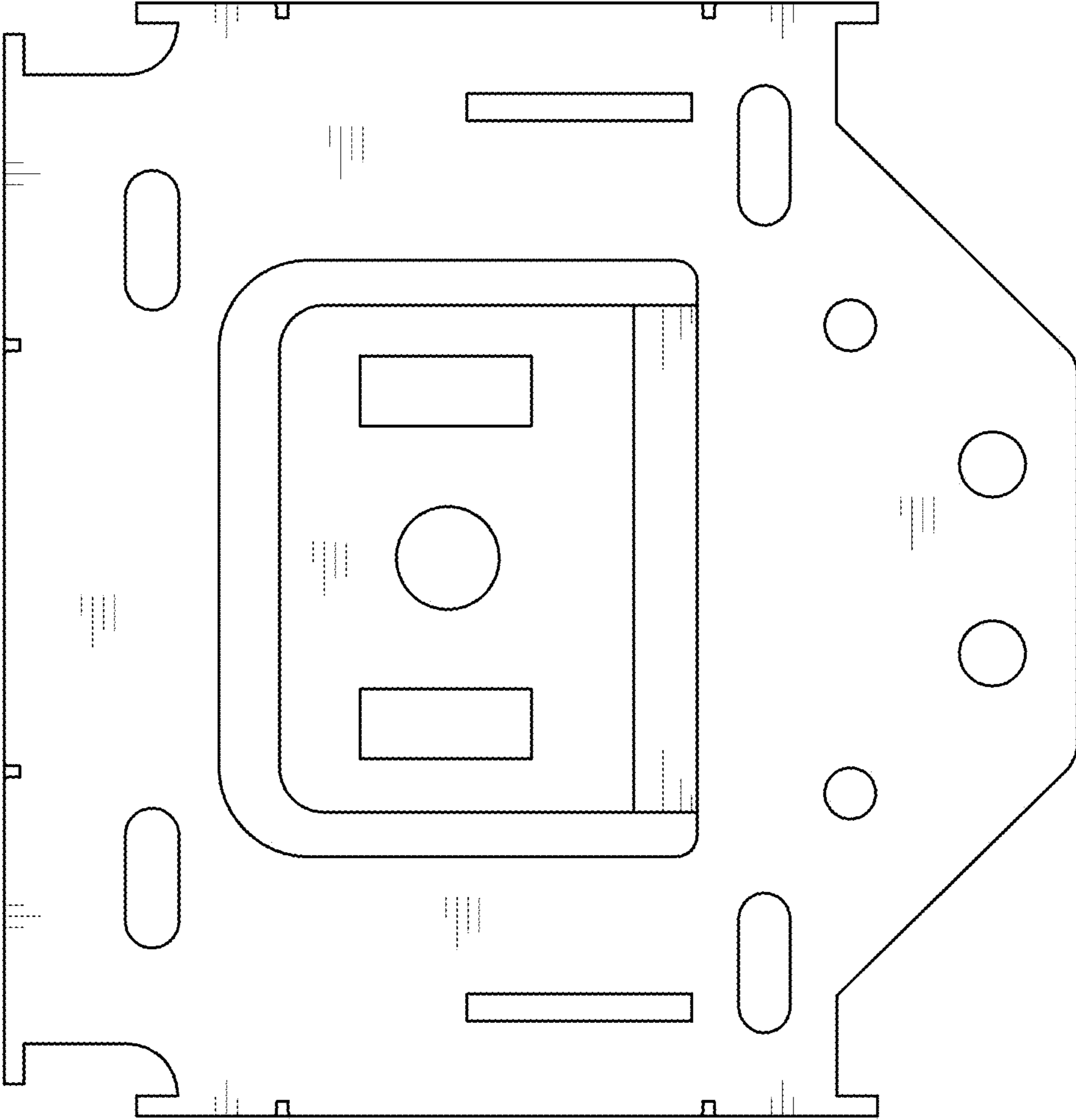


FIG. 8