



US00D976086S

(12) **United States Design Patent**
Jiang

(10) **Patent No.:** **US D976,086 S**
(45) **Date of Patent:** **** Jan. 24, 2023**

(54) **MAGNETIC HOOK**
(71) Applicant: **Xuefeng Jiang**, Shenzhen (CN)
(72) Inventor: **Xuefeng Jiang**, Shenzhen (CN)
(**) Term: **15 Years**
(21) Appl. No.: **29/852,020**
(22) Filed: **Sep. 2, 2022**
(51) **LOC (14) Cl.** **08-11**
(52) **U.S. Cl.**
USPC **D8/367**
(58) **Field of Classification Search**
USPC D8/367, 354, 349, 373, 356, 372;
D6/323; 248/301-304, 339, 205.5
CPC .. A47G 1/00; A47G 25/00; A47G 1/17; F16B
47/003
See application file for complete search history.

6,814,335 B2 * 11/2004 Immerman A47G 25/0614
248/205.5
D500,244 S 12/2004 Yoshiguchi
D505,315 S 5/2005 Snell
D531,487 S * 11/2006 Dretzka D8/367
D548,574 S 8/2007 Harwanko
D596,016 S 7/2009 Dretzka
D600,536 S * 9/2009 Hager D8/367
D642,897 S * 8/2011 Berkowitz D8/367
D659,519 S * 5/2012 Berkowitz D8/367
D737,125 S * 8/2015 Callif D8/372
D880,990 S * 4/2020 Liu D8/367
D948,997 S * 4/2022 Wang D8/367
D953,150 S * 5/2022 Luo D8/367
D953,849 S * 6/2022 Liu D8/367
D957,237 S * 7/2022 Zhang D8/367
D960,694 S 8/2022 Chen
D966,872 S * 10/2022 Liu D8/367

* cited by examiner

Primary Examiner — Cynthia R Underwood
(74) *Attorney, Agent, or Firm* — Rumit Ranjit Kanakia

(56) **References Cited**

U.S. PATENT DOCUMENTS

D346,950 S * 5/1994 Dunn D8/367
5,730,413 A * 3/1998 Chen A47G 25/0635
248/303
5,967,476 A * 10/1999 Chen A47G 1/20
248/304
6,081,975 A * 7/2000 Norrby F16B 45/00
294/82.2
D449,977 S * 11/2001 Dembowiak D8/367
D473,451 S 4/2003 Goodman
D473,453 S 4/2003 Goodman
D482,952 S * 12/2003 Steinman D8/367
D486,057 S 2/2004 Chen
6,749,165 B2 * 6/2004 Immerman A47G 1/17
248/205.5
D496,257 S 9/2004 Fields

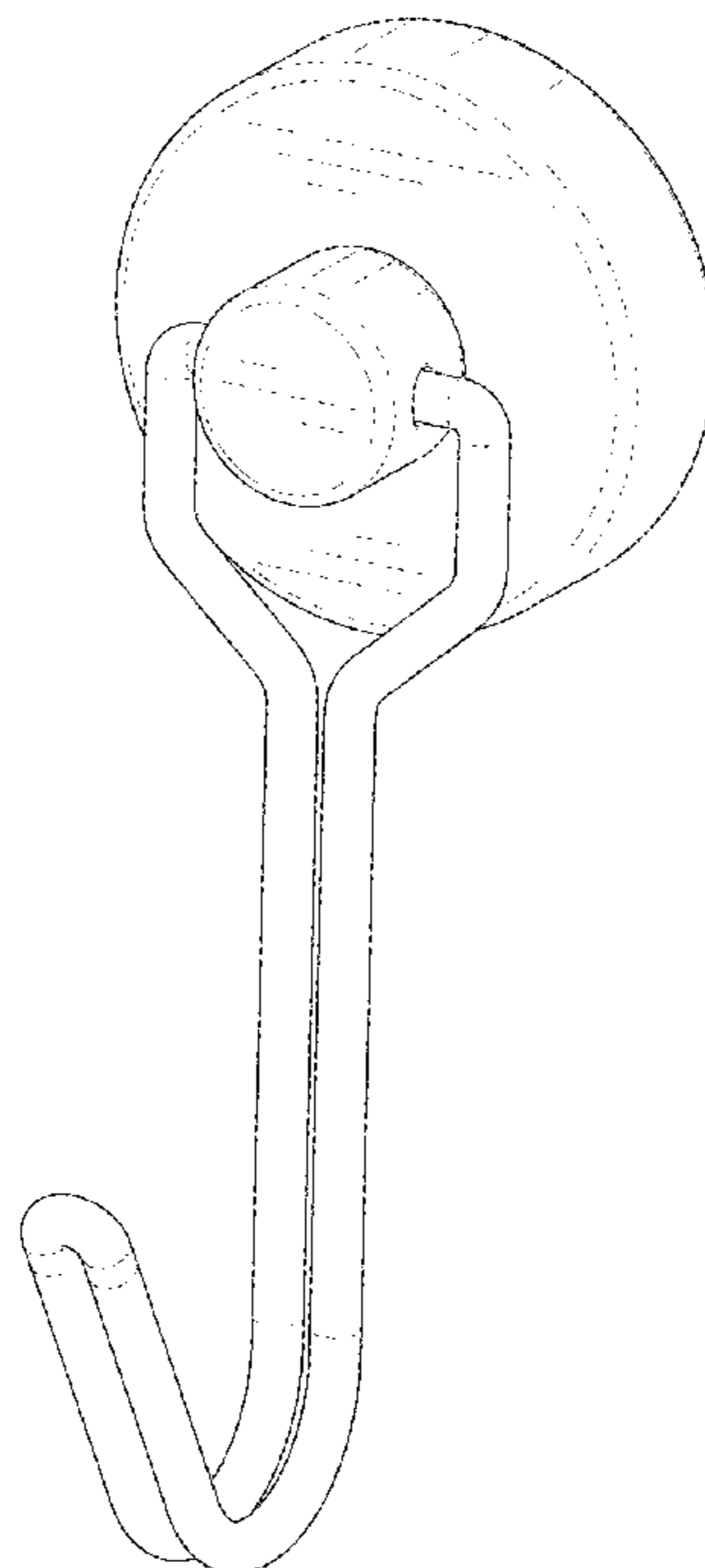
(57) **CLAIM**

The ornamental design for a magnetic hook, as shown and described.

DESCRIPTION

FIG. 1 is a perspective view of a magnetic hook, showing my new design;
FIG. 2 is another perspective view thereof;
FIG. 3 is a front elevational view thereof;
FIG. 4 is a rear elevational view thereof;
FIG. 5 is a left side view thereof, the right side view being a mirror image of FIG. 5;
FIG. 6 is a top plan view thereof; and,
FIG. 7 is a bottom plan view thereof.

1 Claim, 7 Drawing Sheets



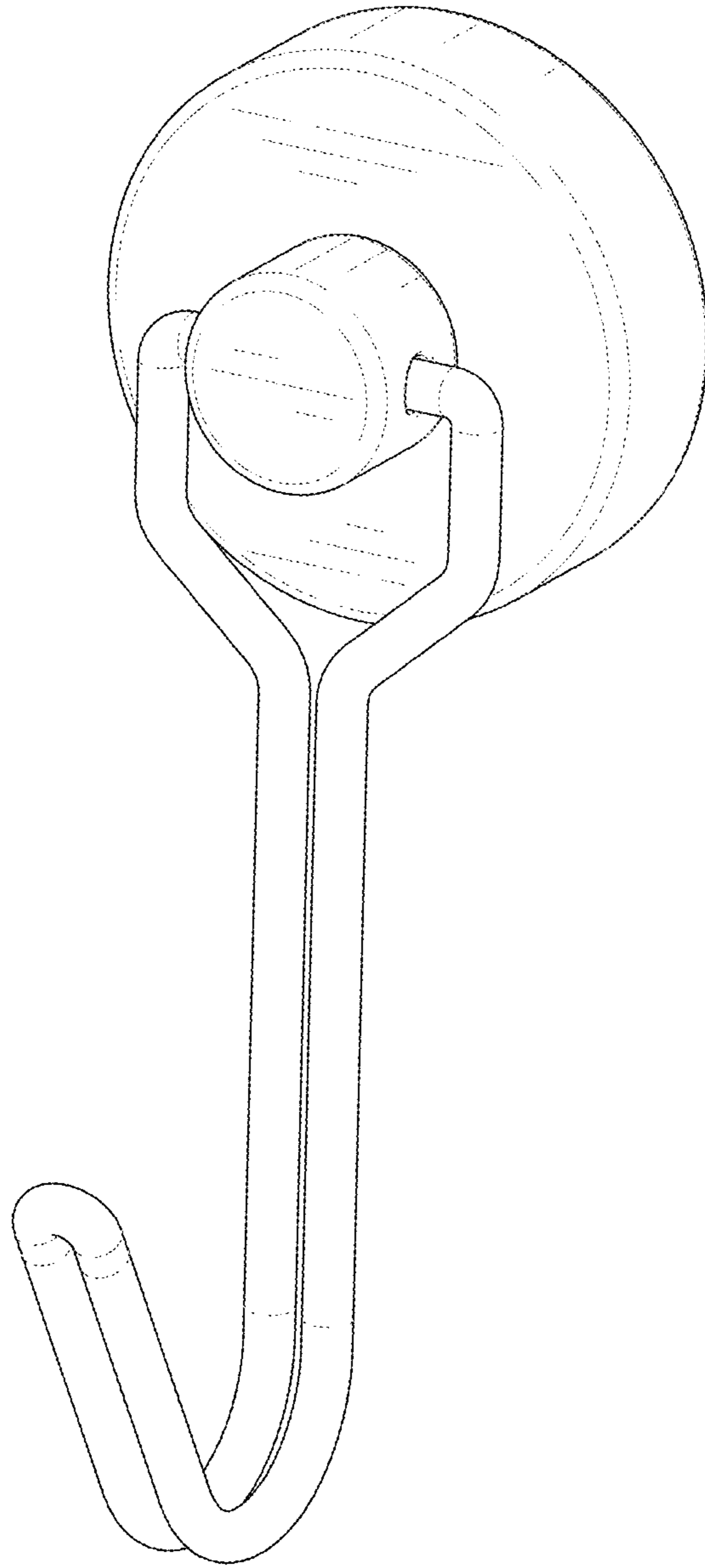


FIG. 1

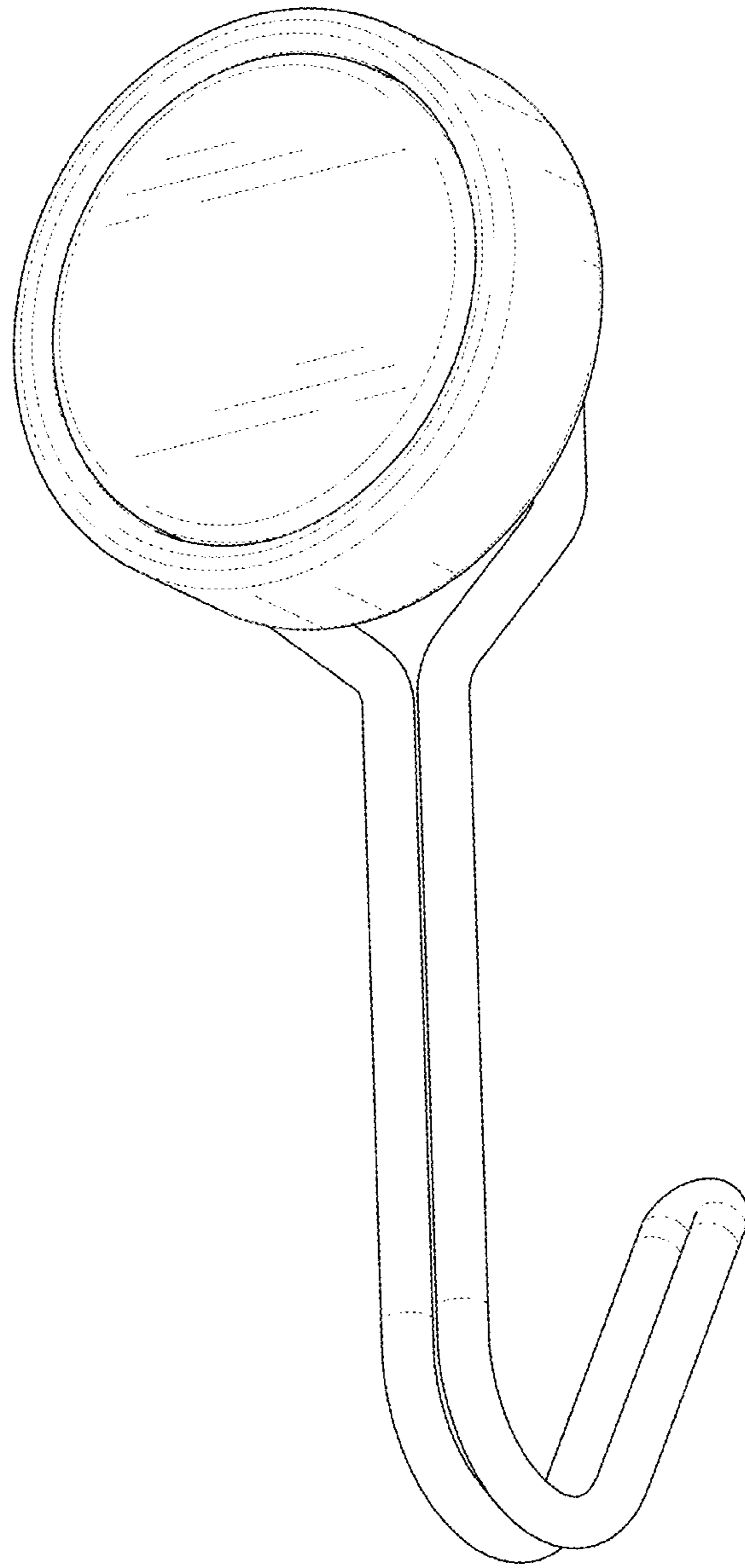


FIG. 2

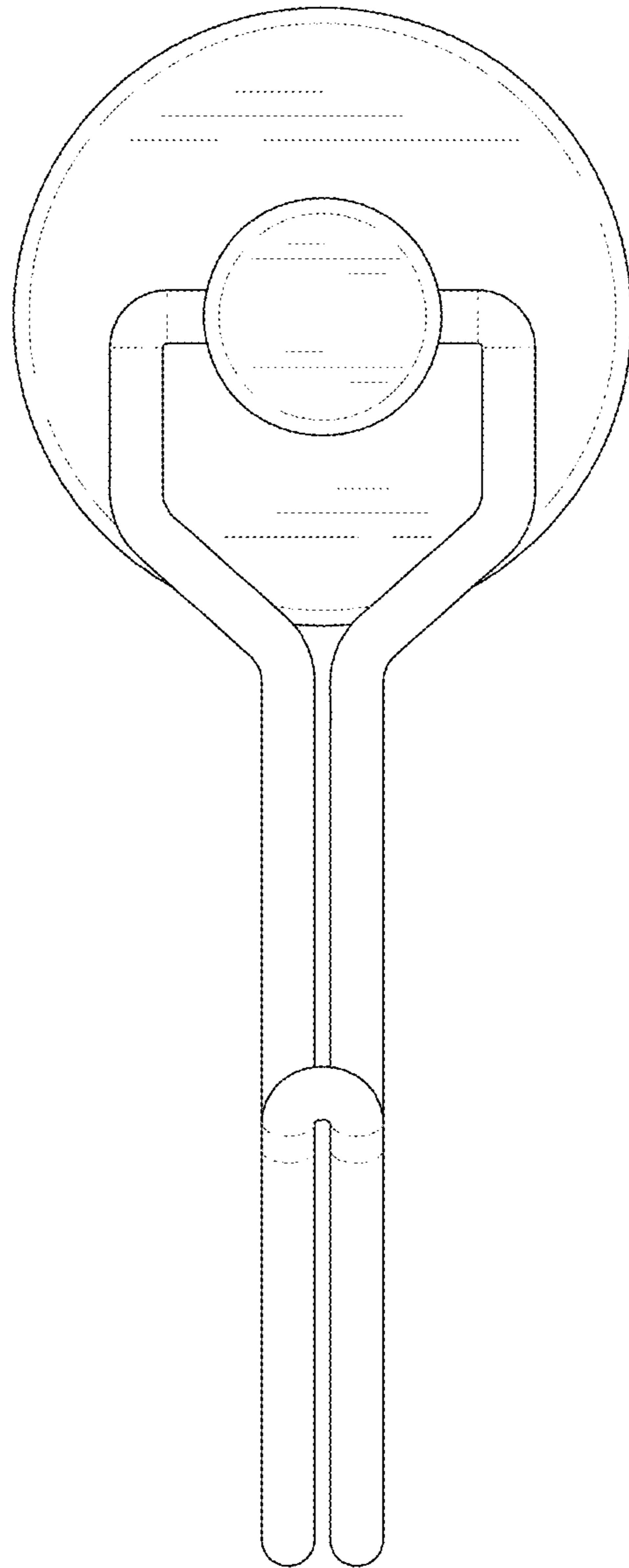


FIG. 3

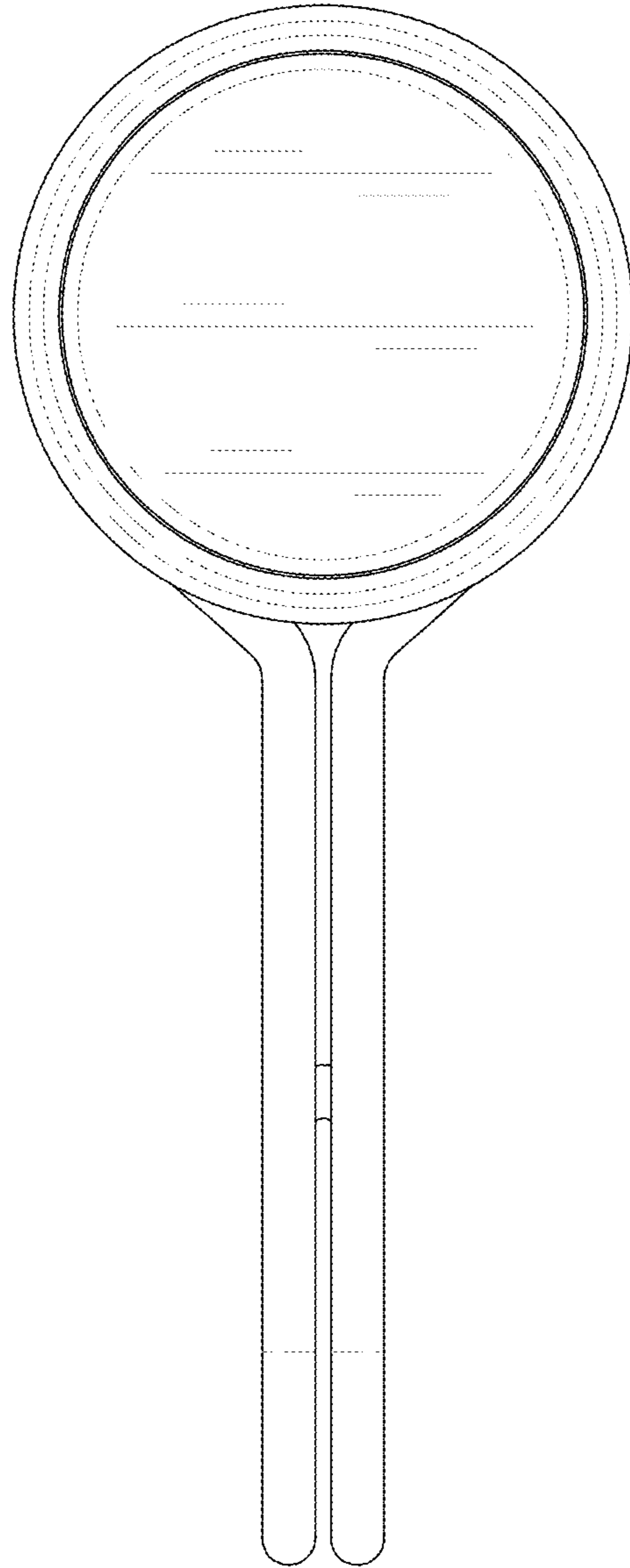


FIG. 4

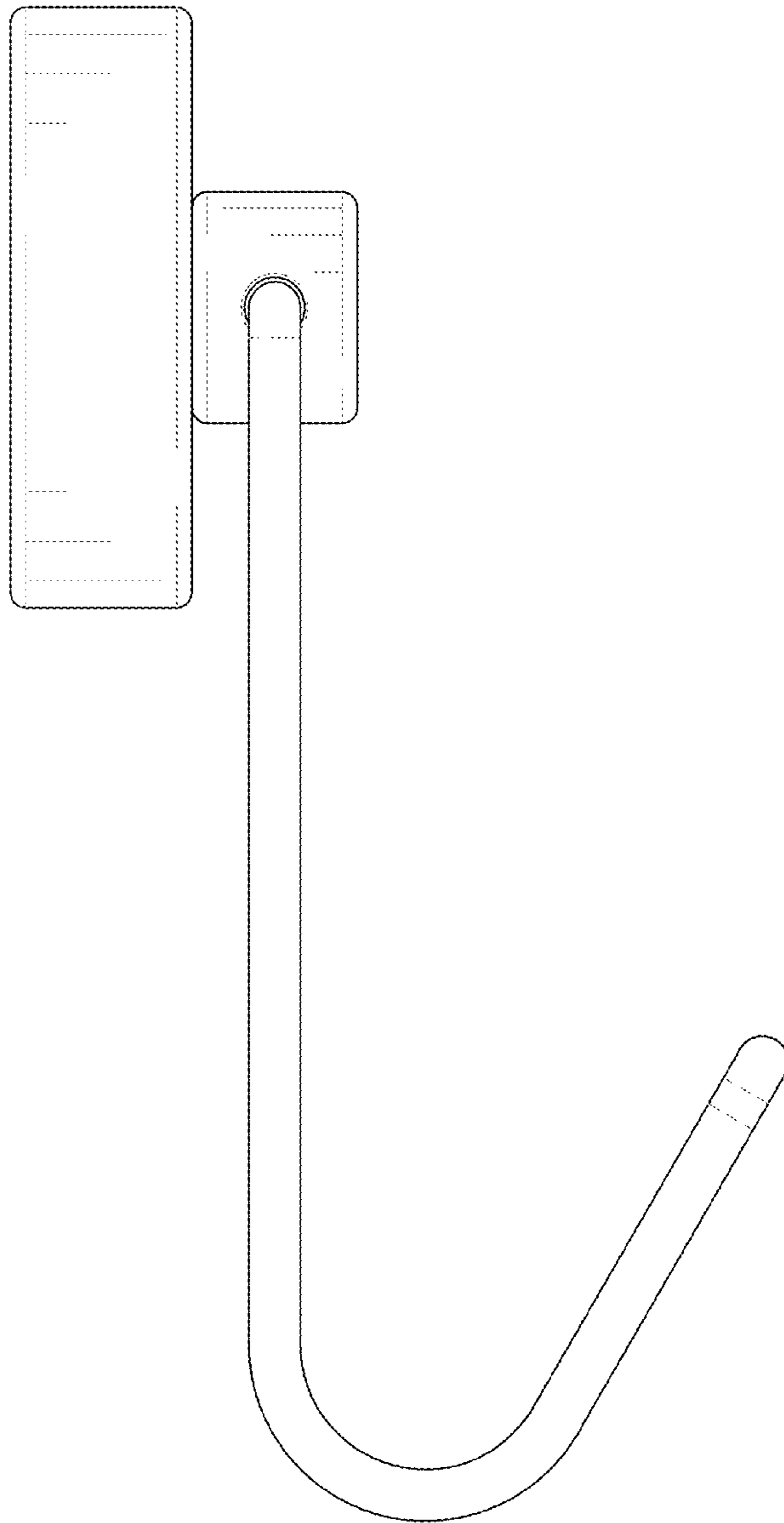


FIG. 5

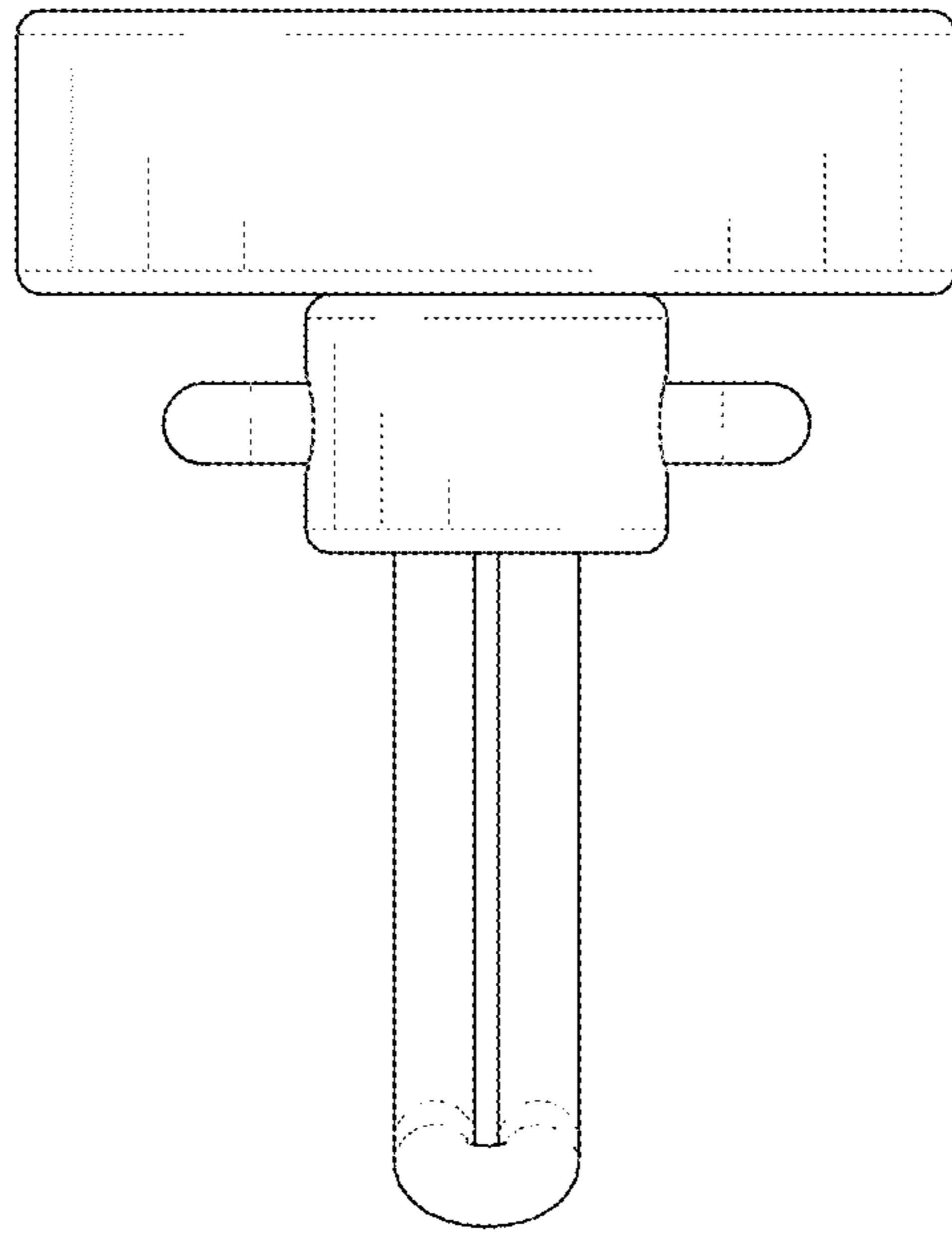


FIG. 6

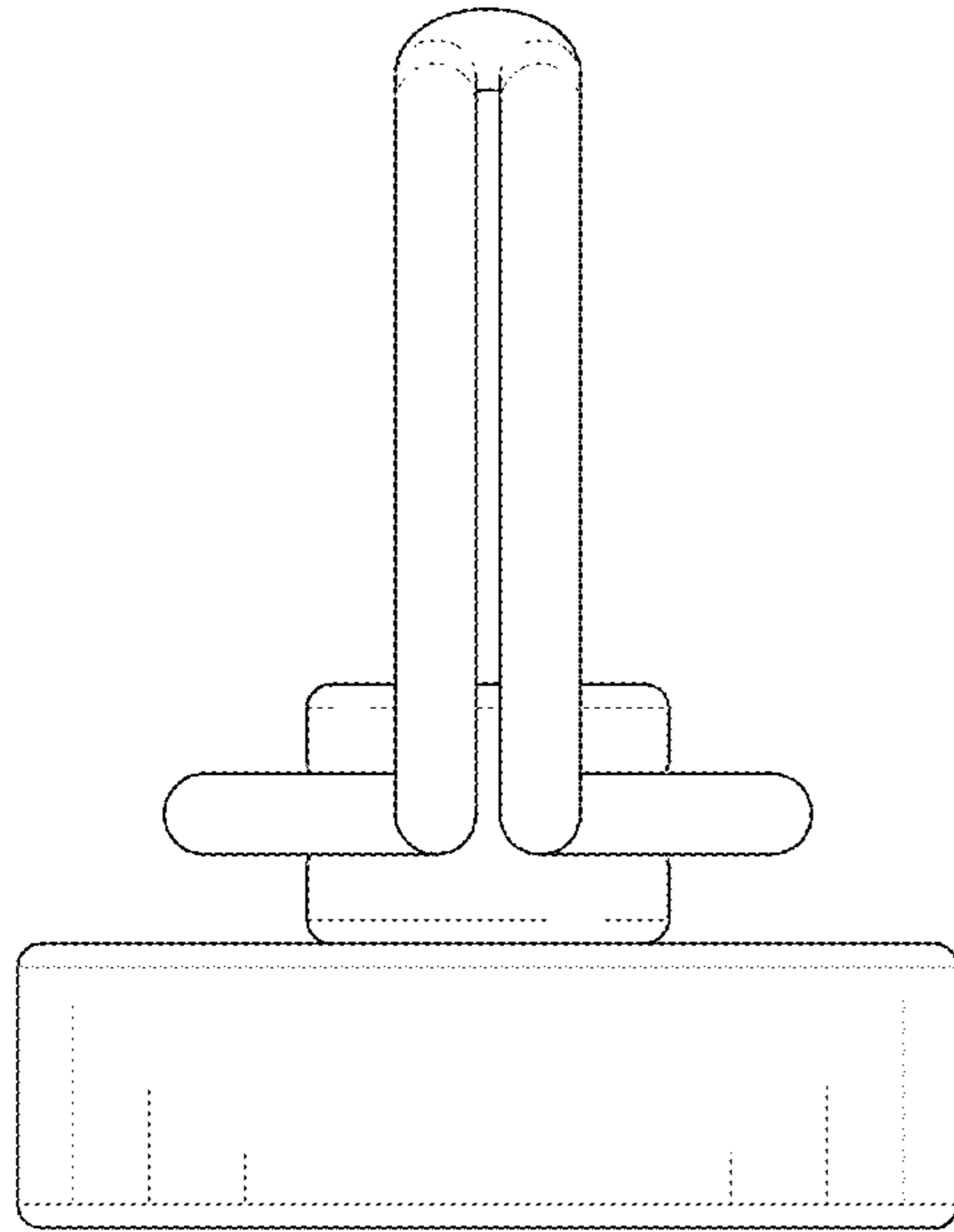


FIG. 7