



US00D976085S

(12) **United States Design Patent**
Kosch

(10) **Patent No.:** **US D976,085 S**
(45) **Date of Patent:** **** Jan. 24, 2023**

- (54) **SLATWALL ACCESSORY**
- (71) Applicant: **Paul James Kosch**, Spring Lake, MI (US)
- (72) Inventor: **Paul James Kosch**, Spring Lake, MI (US)
- (**) Term: **15 Years**
- (21) Appl. No.: **29/839,759**
- (22) Filed: **May 24, 2022**
- (51) **LOC (14) Cl.** **08-11**
- (52) **U.S. Cl.**
USPC **D8/367; D8/373**
- (58) **Field of Classification Search**
USPC D8/367, 354, 373, 382; 248/301-304, 248/339, 205.5, 222.51, 223.41, 220.43, 248/220.42; 211/94.01
CPC .. A47G 1/00; A47G 25/00; A47G 1/17; F16B 47/003; A47F 5/0846
See application file for complete search history.

D397,803 S	9/1998	Current	
D399,010 S	9/1998	Current	
5,871,115 A *	2/1999	Kohn	A47F 5/0838 206/509
5,878,543 A	3/1999	Mowery	
5,899,344 A	5/1999	Current et al.	
6,050,426 A *	4/2000	Leurdijk	A47B 96/067 248/222.51
6,119,878 A *	9/2000	Zen	A47F 5/0846 248/222.51
6,370,832 B1	4/2002	McGarry et al.	
D473,664 S	4/2003	Perkins et al.	
6,547,086 B1	4/2003	Harvey	
6,612,527 B1 *	9/2003	Nagel	A47F 5/0823 248/220.43
6,971,614 B2	12/2005	Fischer et al.	
7,104,023 B1	9/2006	Holztrager	

(Continued)

Primary Examiner — Cynthia R Underwood
(74) *Attorney, Agent, or Firm* — King & Partners, PLC

(57) **CLAIM**

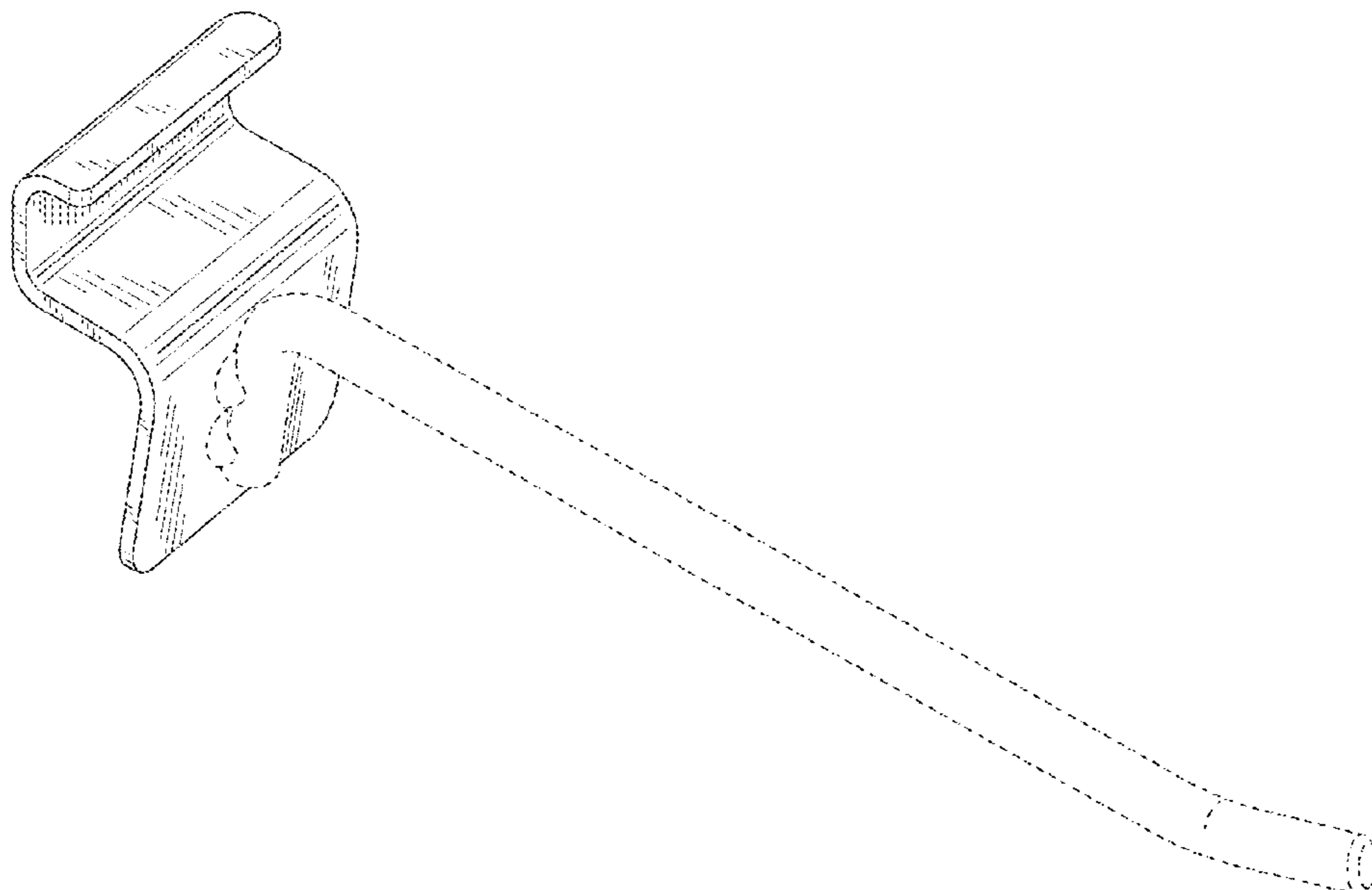
The ornamental design for a slatwall accessory, as shown and described.

DESCRIPTION

FIG. 1 is a perspective view of a slatwall accessory, showing my new design.
FIG. 2 is a right side view of the slatwall accessory of FIG. 1, and the left side view being a mirror image.
FIG. 3 is a top view of the slatwall accessory of FIG. 1.
FIG. 4 is a bottom view of the slatwall accessory of FIG. 1.
FIG. 5 is a front view of the slatwall accessory of FIG. 1.
FIG. 6 is a rear view of the slatwall accessory of FIG. 1; and, FIG. 7 is a perspective view of a slatwall panel utilizing the slatwall accessory of FIG. 1
The broken line portions of FIGS. 1-7 are included to show unclaimed subject matter only and form no part of the claimed design.

1 Claim, 3 Drawing Sheets

- (56) **References Cited**
U.S. PATENT DOCUMENTS
- 1,416,969 A * 5/1922 O'Connor A47G 25/08
248/220.42
- 4,292,781 A 10/1981 Chalmers et al.
- 4,352,478 A * 10/1982 Loew A47G 25/0678
248/223.41
- 4,591,058 A * 5/1986 Amstutz A47F 5/0846
52/36.5
- 4,607,753 A 8/1986 Radek
- 4,629,076 A * 12/1986 Amstutz A47F 5/0846
156/64
- 4,961,295 A 10/1990 Kosch, Sr. et al.
- 5,109,992 A * 5/1992 Miller A47F 5/0823
248/222.51
- D338,076 S 8/1993 Current



(56)

References Cited

U.S. PATENT DOCUMENTS

7,198,159 B2 4/2007 Fischer
 7,228,977 B2* 6/2007 Perkins A47B 95/008
 211/94.01
 D549,563 S * 8/2007 Browne D8/373
 7,296,695 B2* 11/2007 Perkins A47F 5/0846
 312/249.8
 7,464,511 B2 12/2008 Kosch
 7,571,571 B1 8/2009 Mershon
 D611,272 S 3/2010 Daino
 D649,267 S * 11/2011 Apgood, II D25/138
 8,146,754 B2* 4/2012 Apgood, II A47F 5/0846
 211/94.01
 D681,374 S * 5/2013 Gasser D6/716
 8,960,454 B2* 2/2015 Magnusson B25H 3/04
 248/303
 8,978,902 B2* 3/2015 Barkdoll A47F 5/0846
 211/94.01

D760,068 S * 6/2016 Sehl D8/367
 D892,596 S * 8/2020 Farnworth D8/354
 10,876,682 B2* 12/2020 Murphy A47G 1/1686
 10,968,936 B2 4/2021 Boo et al.
 D918,024 S * 5/2021 Landgren D8/380
 D941,129 S * 1/2022 Chen D8/367
 D953,154 S * 5/2022 Pearson D8/375
 D957,239 S * 7/2022 Bayless D8/382
 D957,926 S * 7/2022 Bayless D8/382
 D968,945 S * 11/2022 Comalander D8/396
 D968,946 S * 11/2022 Comalander D8/396
 2007/0181517 A1* 8/2007 Perkins A47B 95/008
 211/94.01
 2008/0000862 A1 1/2008 Lawson
 2009/0145867 A1* 6/2009 Apgood, II A47F 5/0846
 211/94.01
 2013/0228294 A1 9/2013 Aldén
 2018/0116427 A1* 5/2018 Gupta A47B 96/061
 2020/0268176 A1* 8/2020 Landgren A47F 5/0853

* cited by examiner

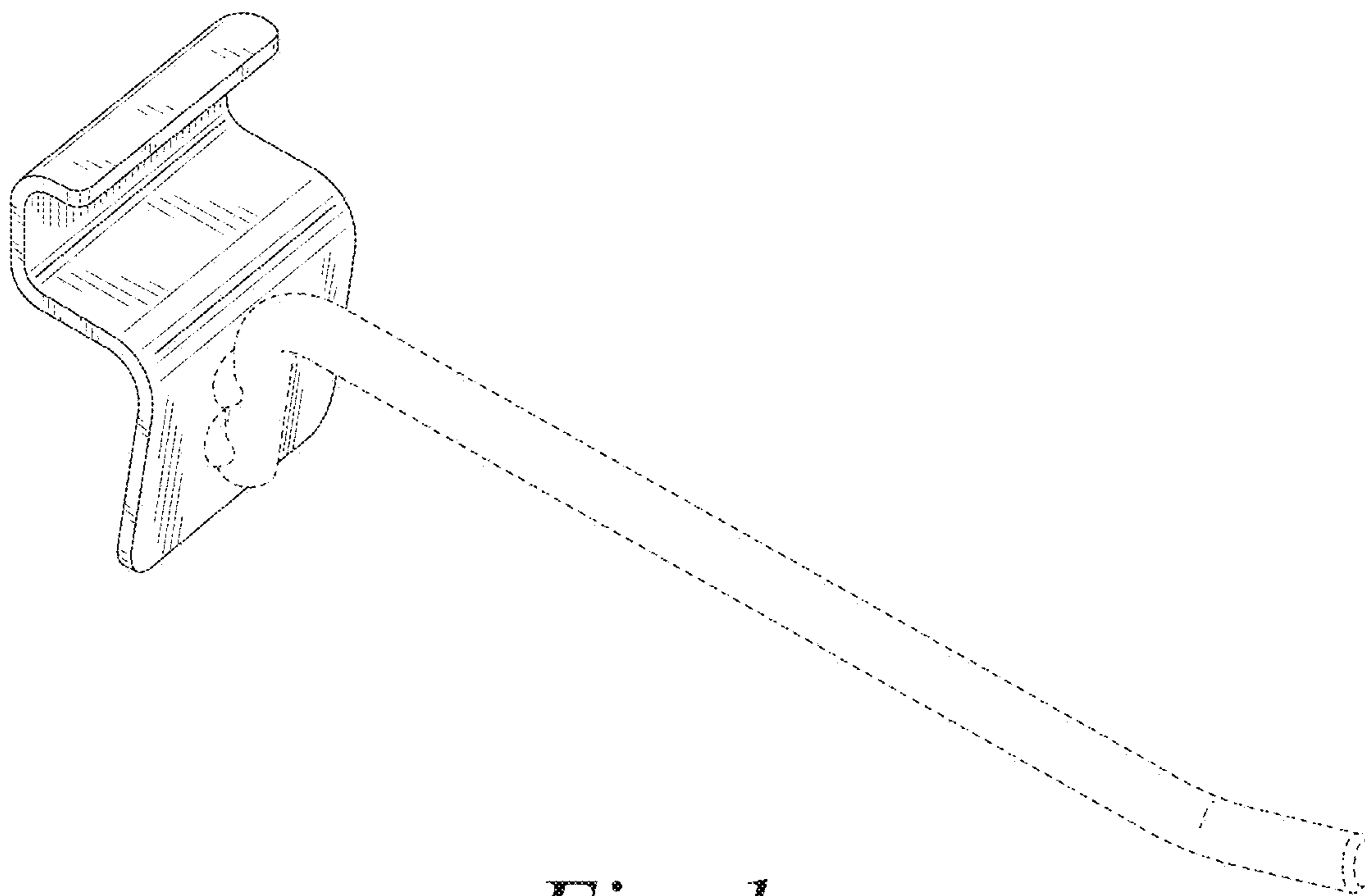


Fig. 1

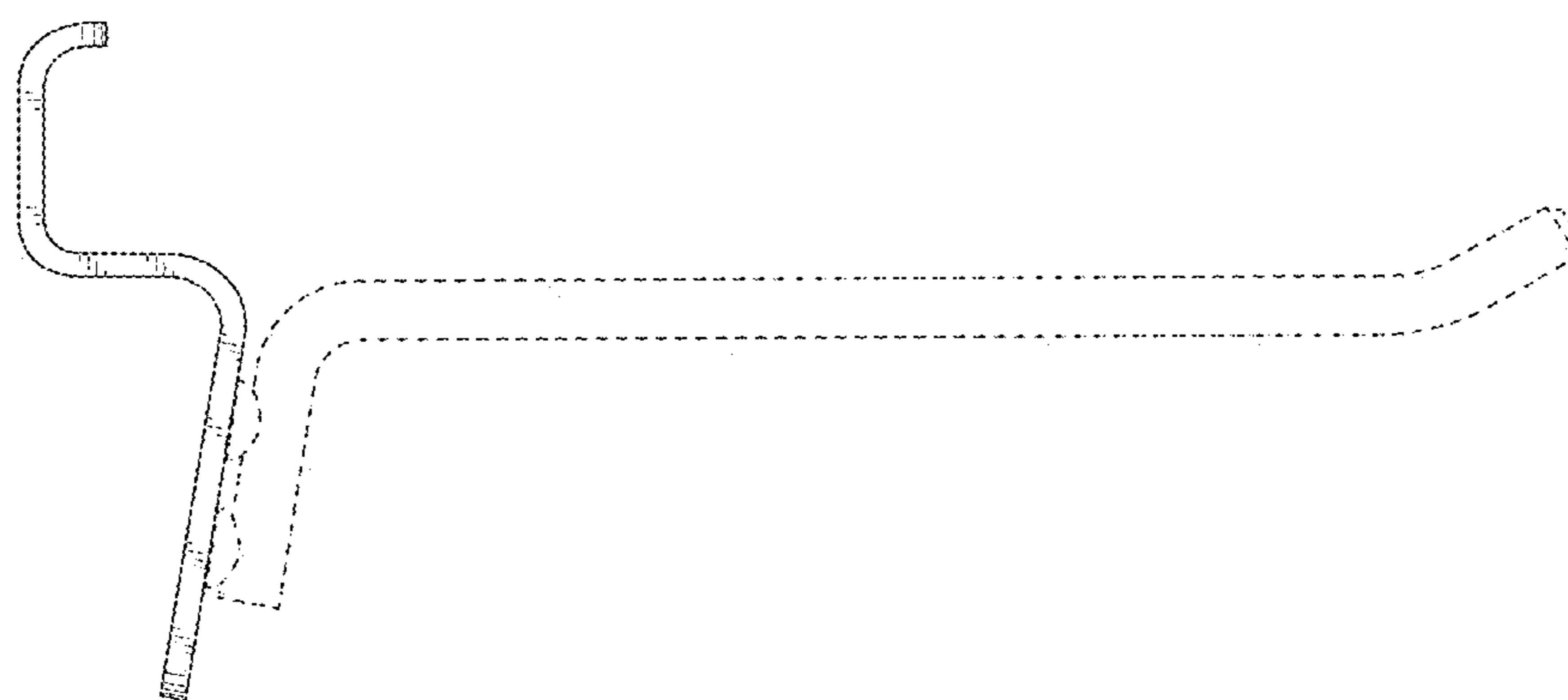


Fig. 2

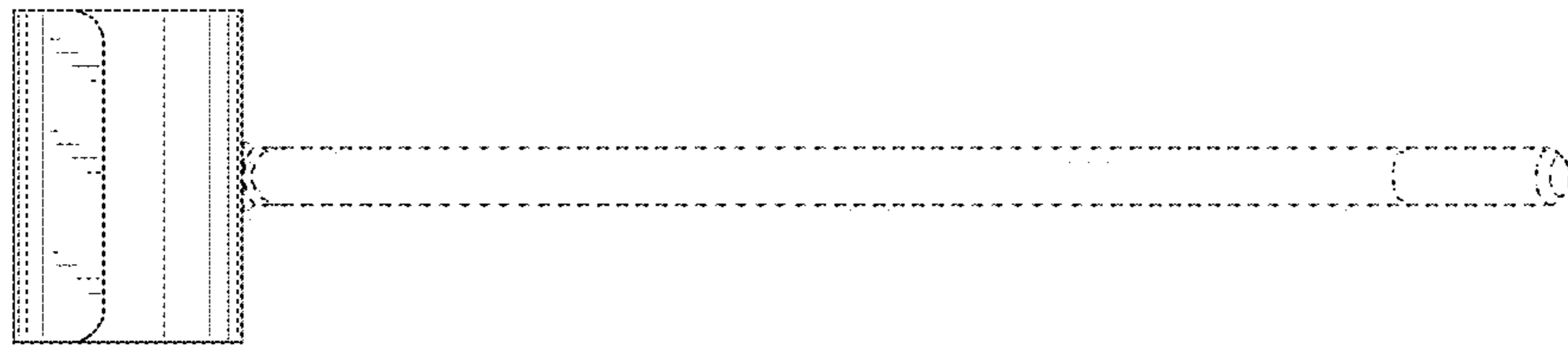


Fig. 3

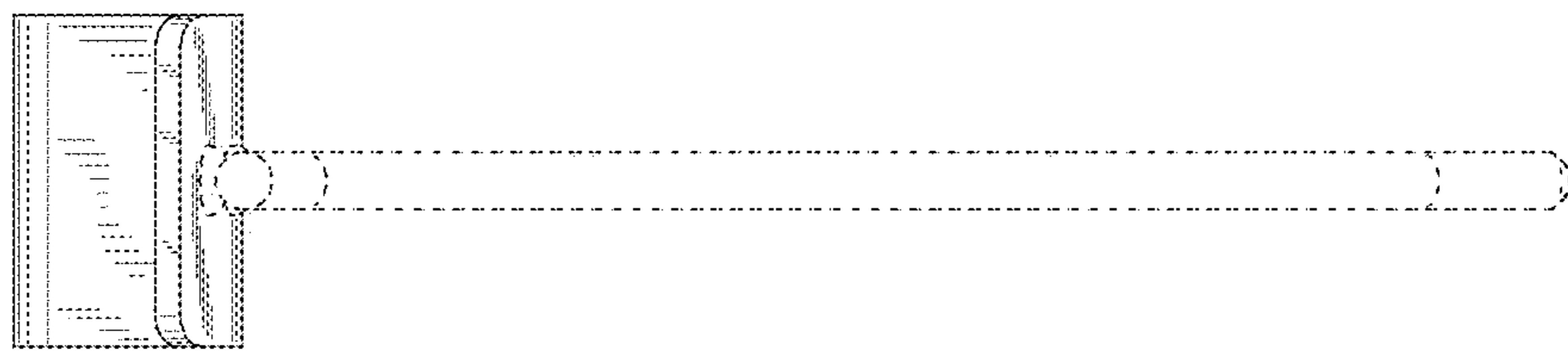


Fig. 4

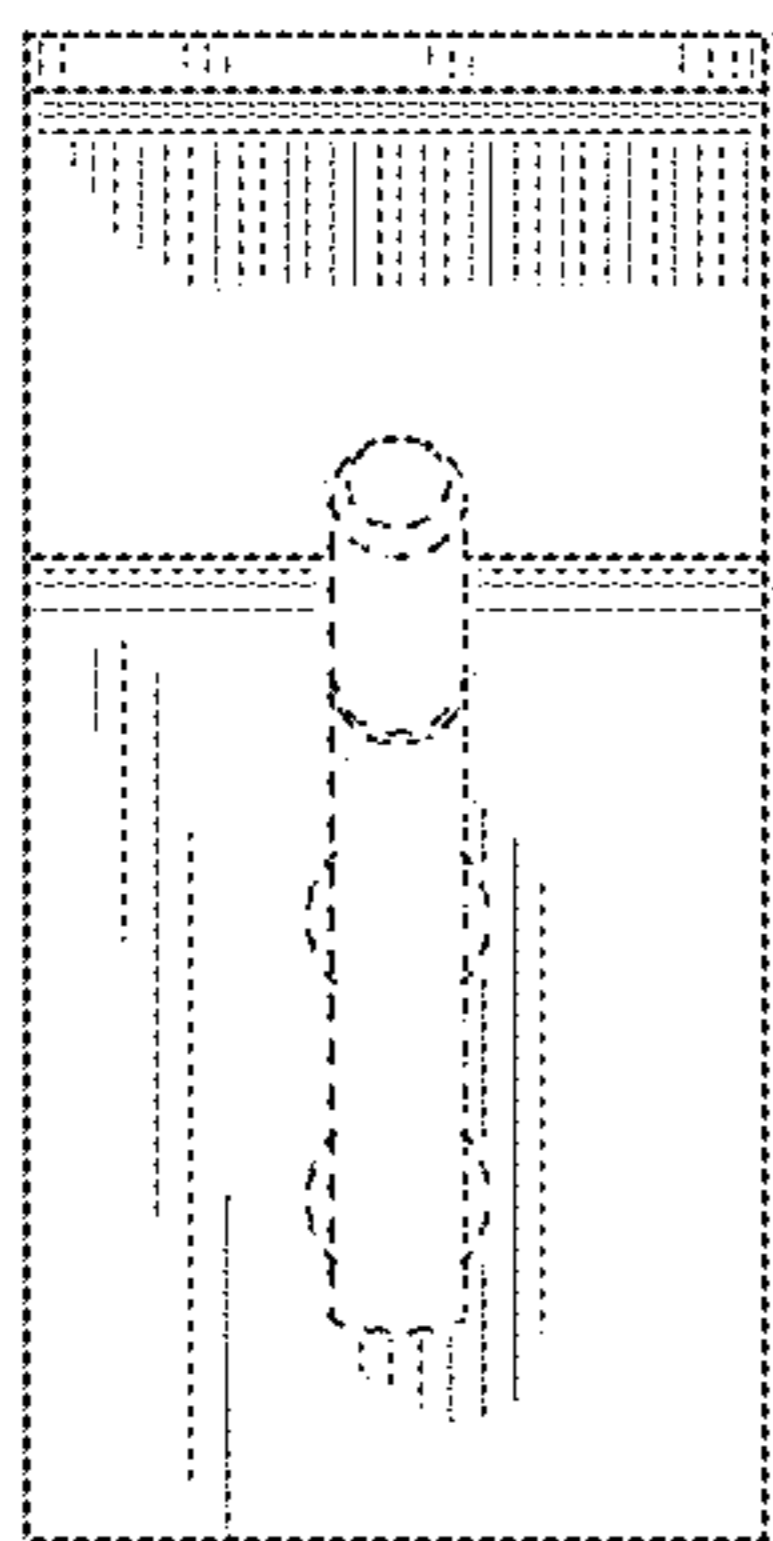


Fig. 5

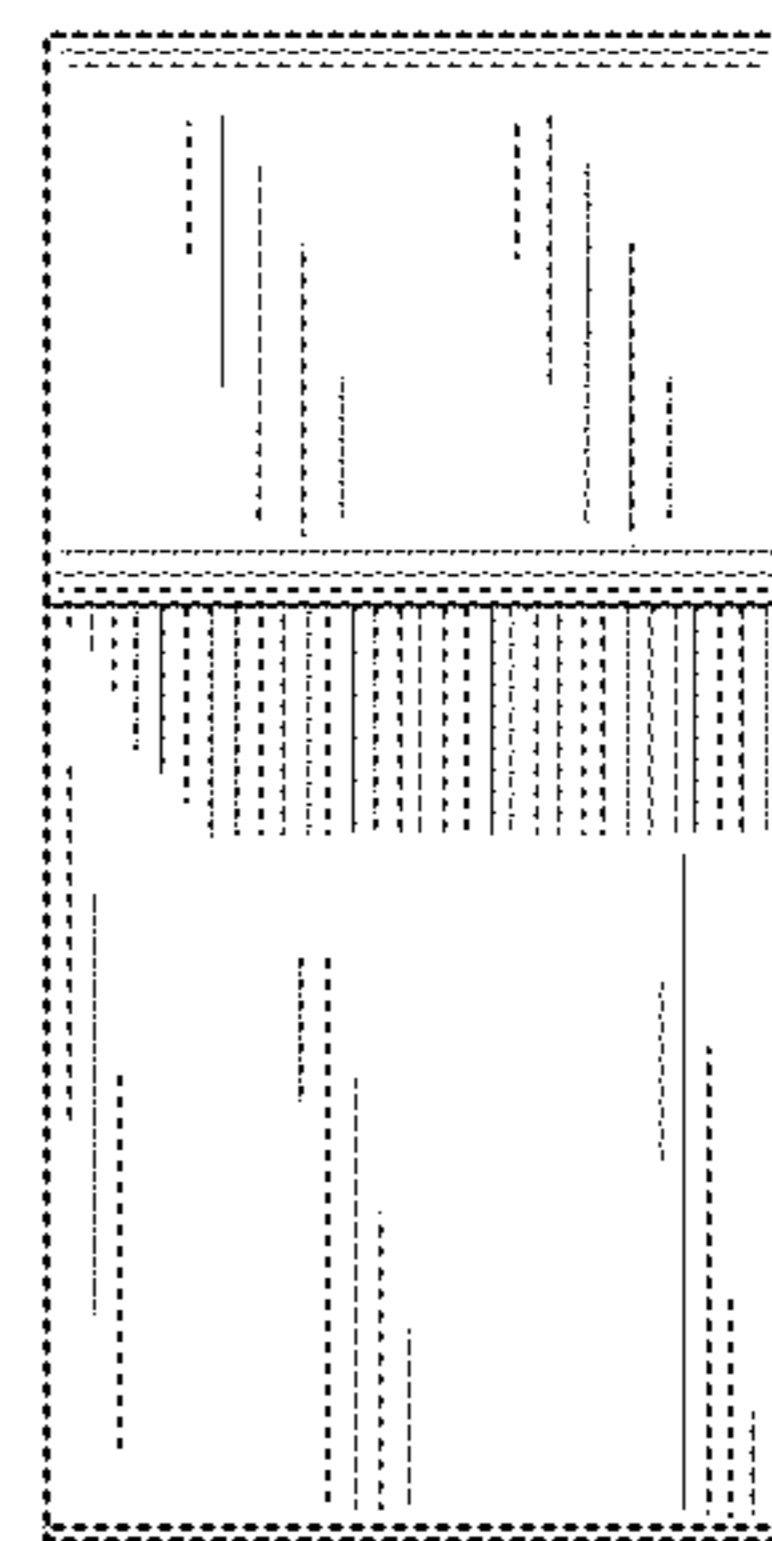


Fig. 6

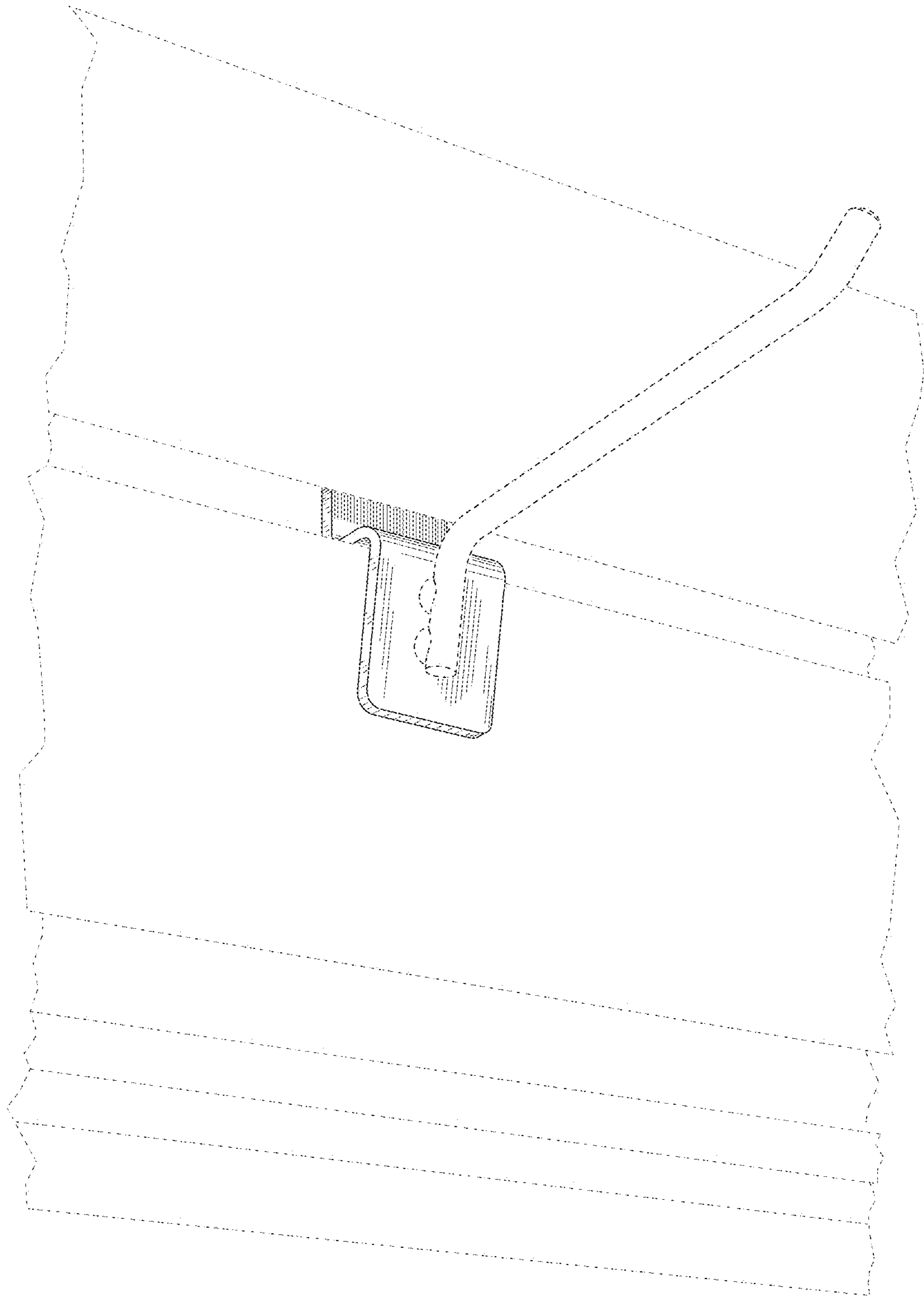


Fig. 7