



US00D976084S

(12) **United States Design Patent**
Kosch

(10) **Patent No.:** **US D976,084 S**

(45) **Date of Patent:** **** Jan. 24, 2023**

- (54) **SLATWALL HOOK**
- (71) Applicant: **Paul James Kosch**, Spring Lake, MI (US)
- (72) Inventor: **Paul James Kosch**, Spring Lake, MI (US)
- (**) Term: **15 Years**
- (21) Appl. No.: **29/839,751**
- (22) Filed: **May 24, 2022**
- (51) **LOC (14) Cl.** **08-11**
- (52) **U.S. Cl.**
USPC **D8/367; D8/373**
- (58) **Field of Classification Search**
USPC D8/367, 354, 373, 382; 248/301-304, 248/339, 205.5, 222.51, 223.41, 220.43, 248/220.42; 211/94.01
CPC .. A47G 1/00; A47G 25/00; A47G 1/17; F16B 47/003; A47F 5/0846
See application file for complete search history.

D399,010 S	9/1998	Current	
5,871,115 A *	2/1999	Kohn	A47F 5/0838 206/509
5,878,543 A	3/1999	Mowery	
5,899,344 A	5/1999	Current et al.	
6,050,426 A *	4/2000	Leurdijk	A47B 96/067 248/222.51
6,119,878 A *	9/2000	Zen	A47F 5/0846 248/222.51
6,370,832 B1	4/2002	McGarry et al.	
D473,664 S	4/2003	Perkins et al.	
6,547,086 B1	4/2003	Harvey	
6,612,527 B1 *	9/2003	Nagel	A47F 5/0823 248/220.43
6,971,614 B2	12/2005	Fischer et al.	
7,104,023 B1	9/2006	Holztrager	
7,198,159 B2	4/2007	Fischer	

(Continued)

Primary Examiner — Cynthia R Underwood
(74) *Attorney, Agent, or Firm* — King & Partners, PLC

(57) **CLAIM**

The ornamental design for a slatwall hook, as shown and described.

DESCRIPTION

FIG. 1 is a perspective view of a slatwall hook, showing my new design.

FIG. 2 is a right side view of the slatwall hook of FIG. 1, and the left side view being a mirror image.

FIG. 3 is a top view of the slatwall hook of FIG. 1.

FIG. 4 is a bottom view of the slatwall hook of FIG. 1.

FIG. 5 is a front view of the slatwall hook of FIG. 1.

FIG. 6 is a rear view of the slatwall hook of FIG. 1; and, FIG. 7 is a perspective view of a slatwall panel utilizing the slatwall hook of FIG. 1.

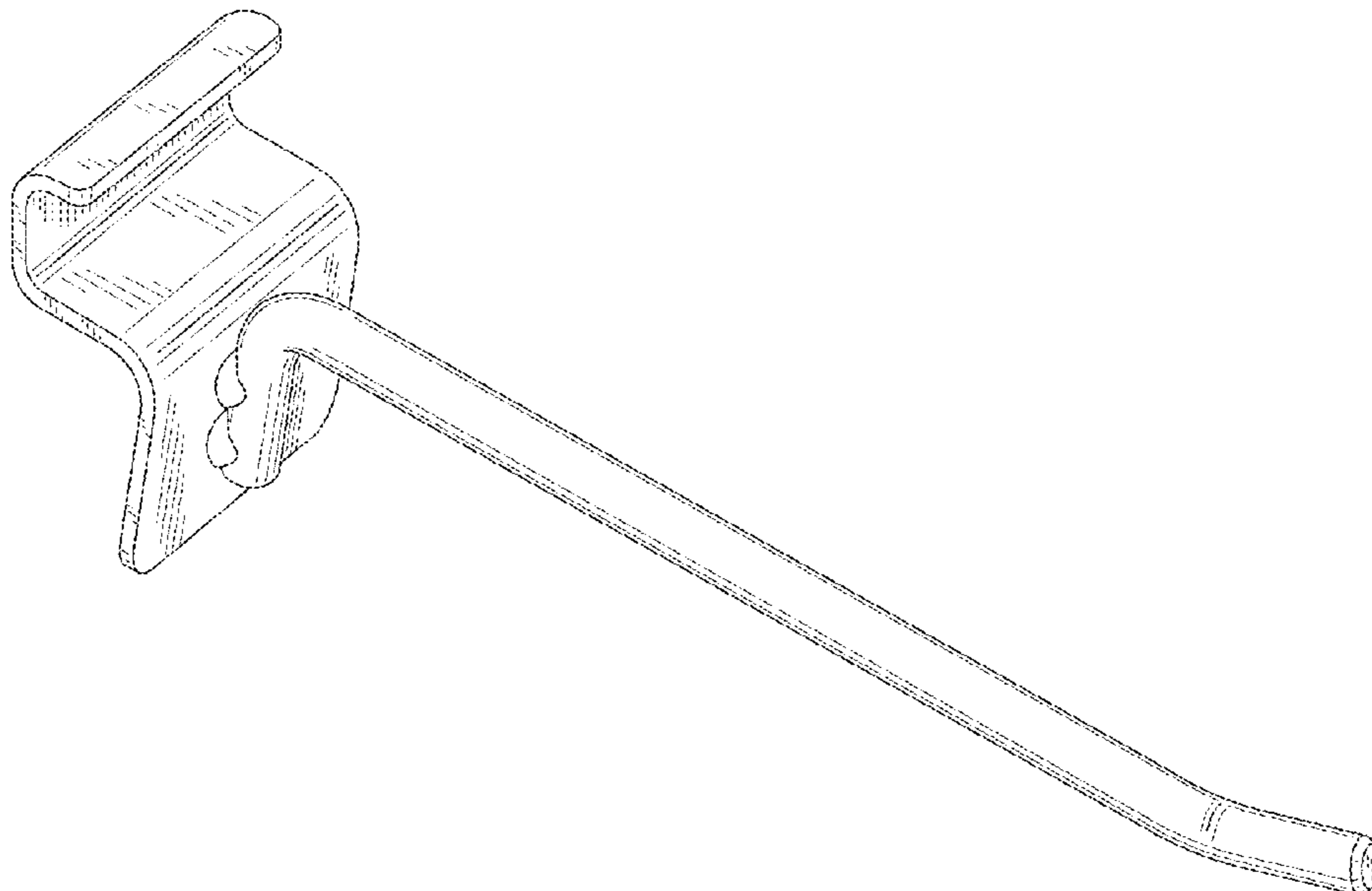
The broken line portions of FIGS. 1-7 are included to show unclaimed subject matter only and form no part of the claimed design.

1 Claim, 3 Drawing Sheets

(56) **References Cited**

U.S. PATENT DOCUMENTS

1,416,969 A *	5/1922	O'Connor	A47G 25/08 248/220.42
4,292,781 A	10/1981	Chalmers et al.	
4,352,478 A *	10/1982	Loew	A47G 25/0678 248/223.41
4,591,058 A *	5/1986	Amstutz	A47F 5/0846 52/36.5
4,607,753 A	8/1986	Radek	
4,629,076 A *	12/1986	Amstutz	A47F 5/0846 156/64
4,961,295 A	10/1990	Kosch, Sr. et al.	
5,109,992 A *	5/1992	Miller	A47F 5/0823 248/222.51
D338,076 S	8/1993	Current	
D397,803 S	9/1998	Current	



(56)

References Cited

U.S. PATENT DOCUMENTS

7,228,977 B2 * 6/2007 Perkins A47B 95/008
211/94.01
D549,563 S * 8/2007 Browne D8/373
7,296,695 B2 * 11/2007 Perkins A47F 5/0846
312/249.8
7,464,511 B2 12/2008 Kosch
7,571,571 B1 8/2009 Mershon
D611,272 S 3/2010 Daino
D649,267 S * 11/2011 Apgood, II D25/138
8,146,754 B2 * 4/2012 Apgood, II A47F 5/0846
211/94.01
D681,374 S * 5/2013 Gasser D6/716
8,960,454 B2 * 2/2015 Magnusson B25H 3/04
248/303
8,978,902 B2 * 3/2015 Barkdoll A47F 5/0846
211/94.01
D760,068 S * 6/2016 Sehl D8/367
D892,596 S * 8/2020 Farnworth D8/354
10,876,682 B2 * 12/2020 Murphy A47G 1/1686
10,968,936 B2 4/2021 Boo et al.
D918,024 S * 5/2021 Landgren D8/380
D941,129 S * 1/2022 Chen D8/367
D953,154 S * 5/2022 Pearson D8/375
D957,239 S * 7/2022 Bayless D8/382
D957,926 S * 7/2022 Bayless D8/382
D968,945 S * 11/2022 Comalander D8/396
D968,946 S * 11/2022 Comalander D8/396
2007/0181517 A1 * 8/2007 Perkins A47B 95/008
211/94.01
2008/0000862 A1 1/2008 Lawson
2009/0145867 A1 * 6/2009 Apgood, II A47F 5/0846
211/94.01
2013/0228294 A1 9/2013 Aldén
2018/0116427 A1 * 5/2018 Gupta A47B 96/061
2020/0268176 A1 * 8/2020 Landgren A47F 5/0853

* cited by examiner

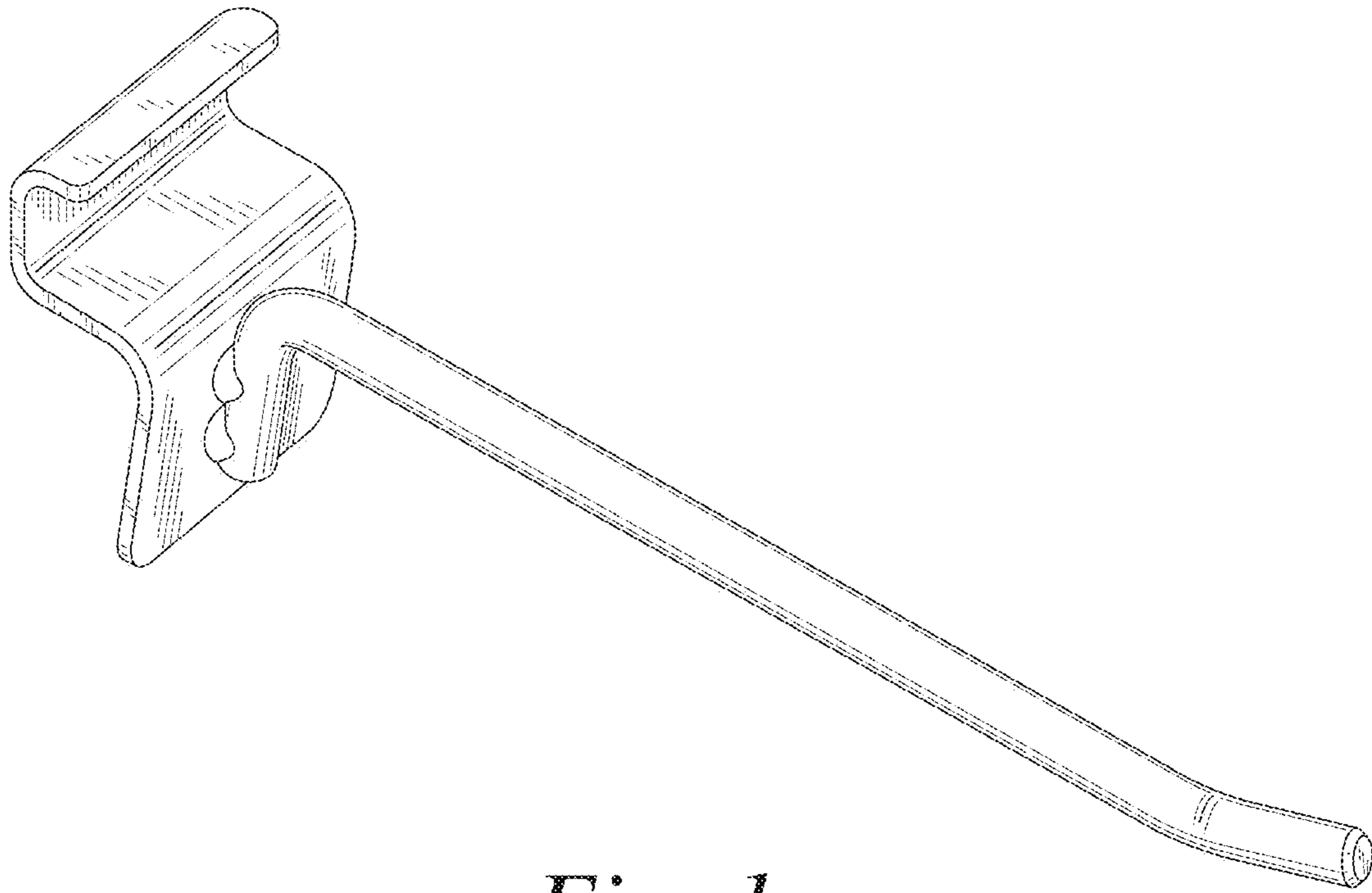


Fig. 1

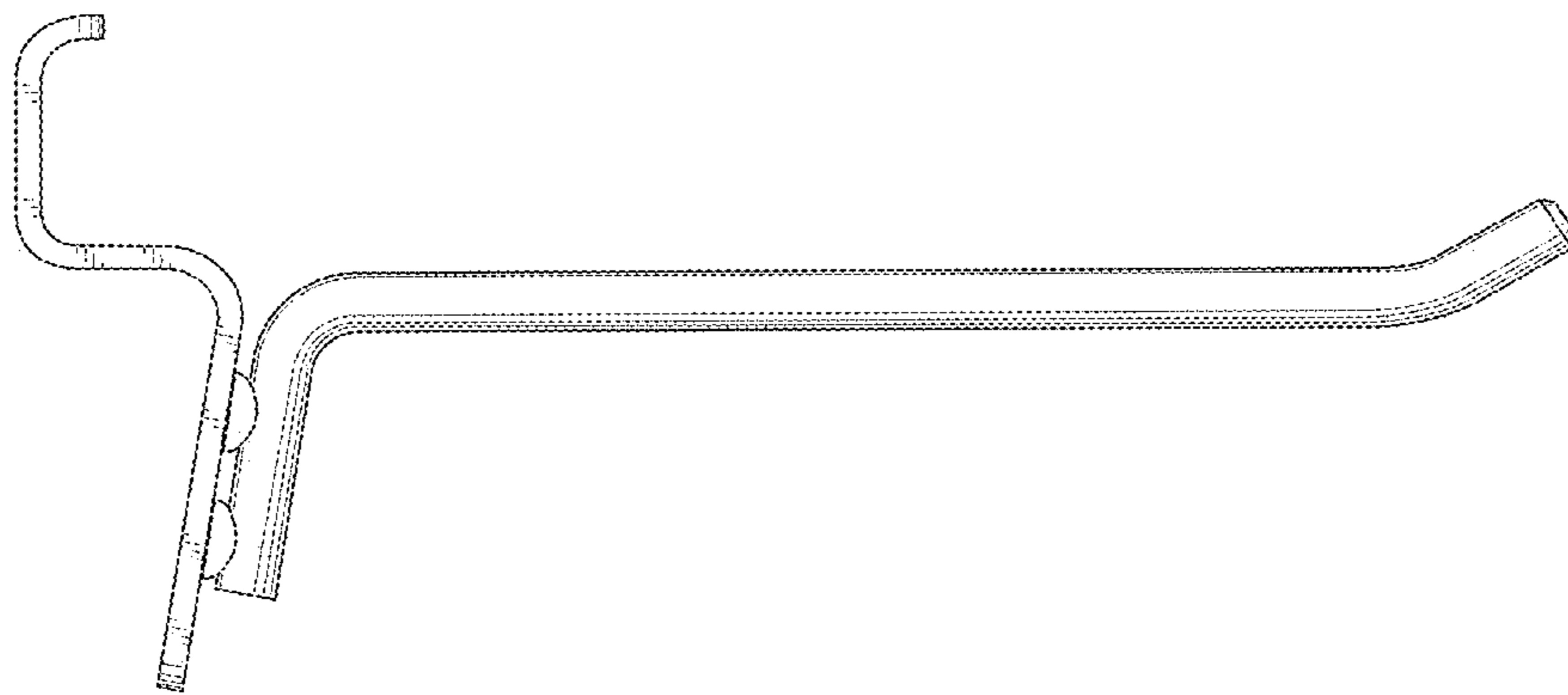


Fig. 2

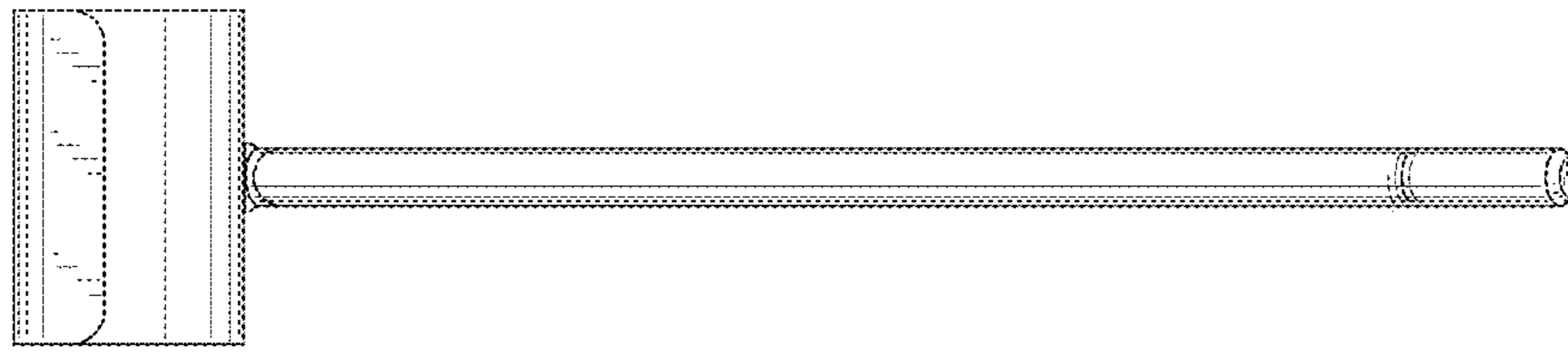


Fig. 3

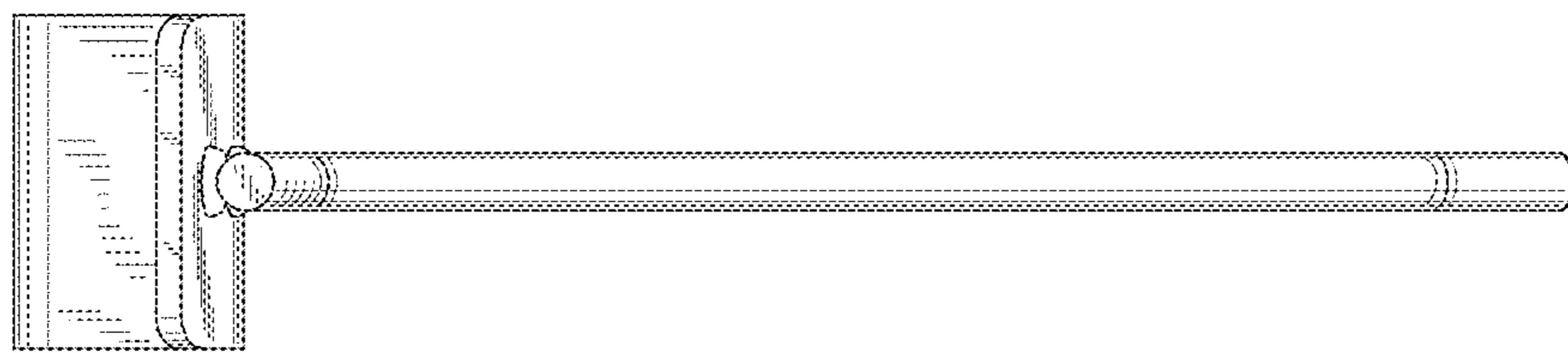


Fig. 4

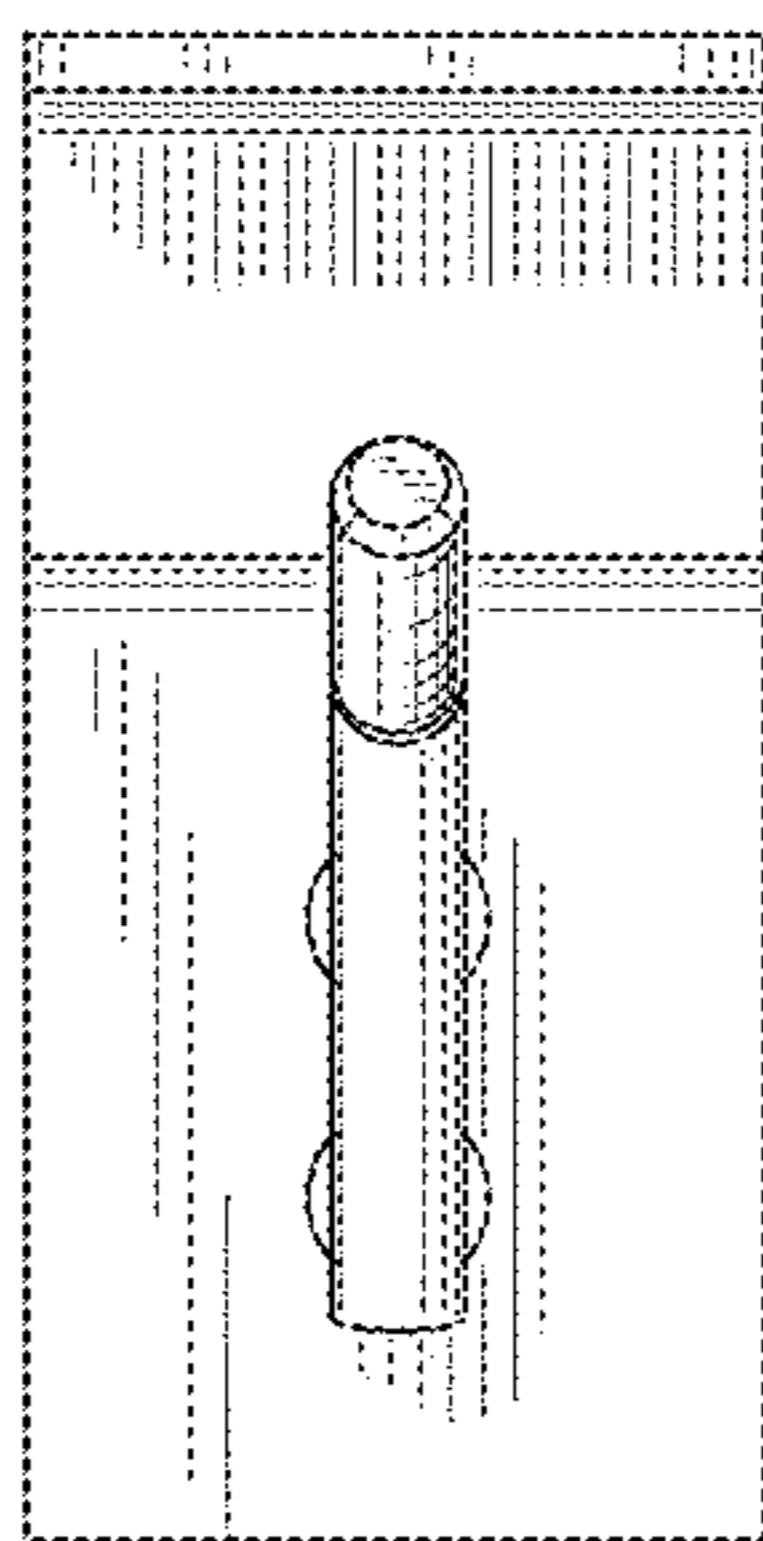


Fig. 5

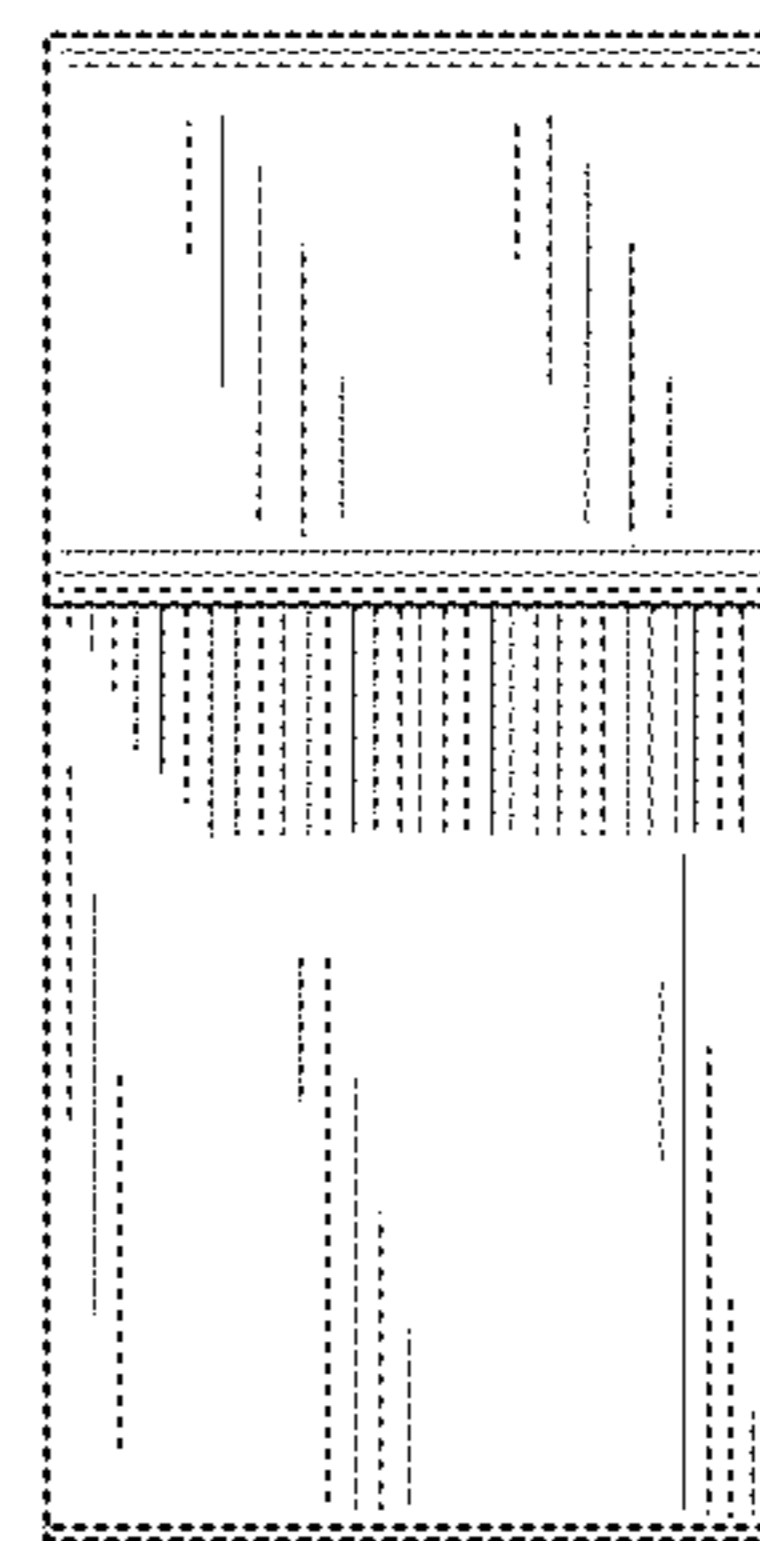


Fig. 6

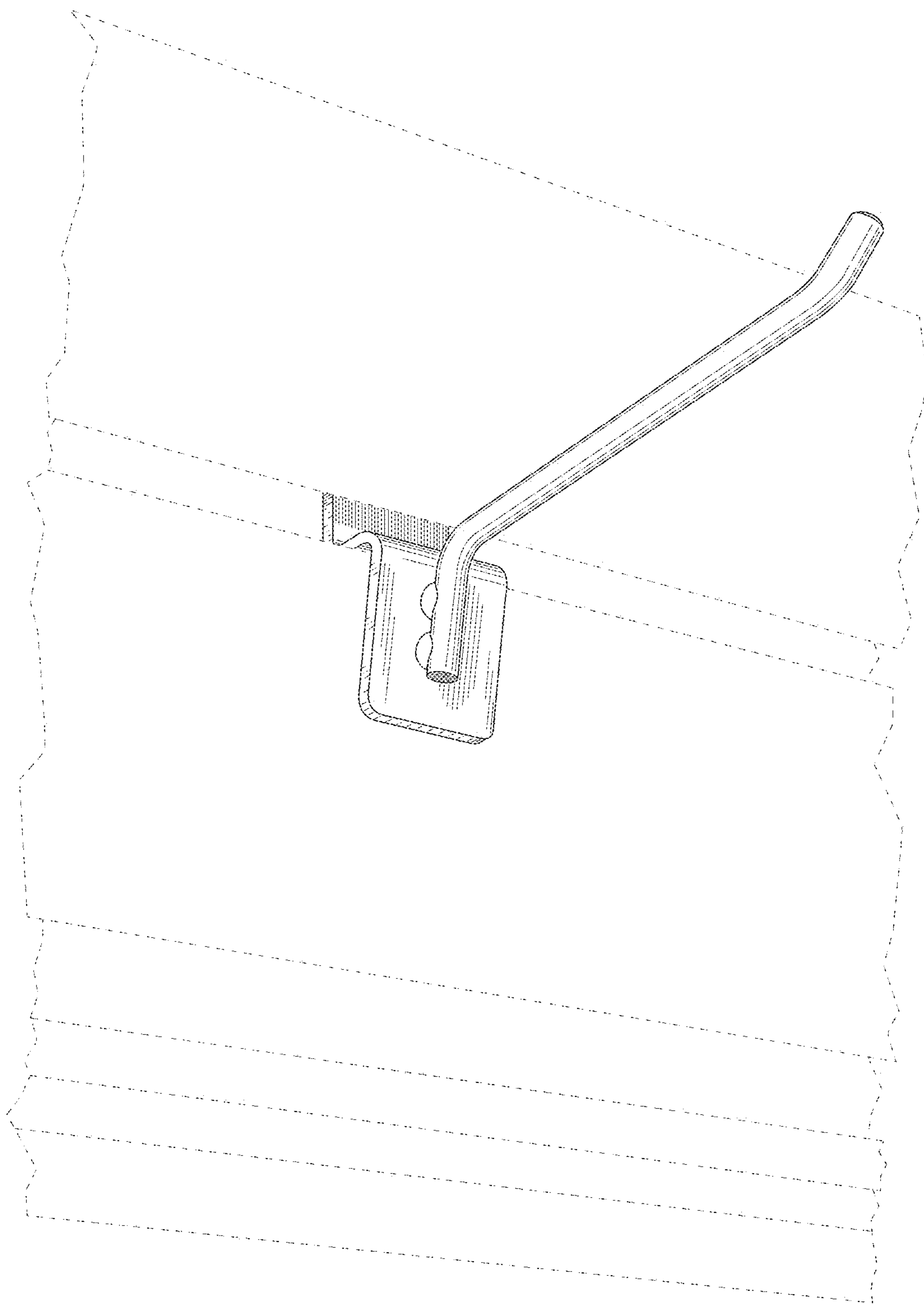


Fig. 7