



US00D976083S

(12) **United States Design Patent** (10) **Patent No.:** **US D976,083 S**  
**Diefenbach et al.** (45) **Date of Patent:** **\*\* Jan. 24, 2023**

(54) **SINGLE HOOK**  
(71) Applicant: **HANSGROHE SE**, Schiltach (DE)  
(72) Inventors: **Andreas Diefenbach**,  
Ludwigsburg-Ossweil (DE); **Marc**  
**Michalak**, Kornwestheim (DE)

D801,155 S \* 10/2017 Kuniyoshi ..... D8/367  
D839,721 S \* 2/2019 Downey ..... D8/367  
D850,829 S \* 6/2019 Merminod ..... D6/682.5  
D897,825 S \* 10/2020 Eads ..... D8/367  
D924,035 S \* 7/2021 Lazarini ..... D8/307  
D929,049 S \* 8/2021 Rousseau ..... D8/367  
D936,464 S \* 11/2021 Carlino ..... D8/367  
D941,663 S \* 1/2022 Lazarini ..... D8/367

(73) Assignee: **Hansgrohe SE**, Schiltach (DE)

**FOREIGN PATENT DOCUMENTS**

(\*\*) Term: **15 Years**

EM 001226187-0035 8/2010  
EM 004371383-0011 12/2017  
EM 004371383-0014 12/2017  
EM 004371383-0038 12/2017

(21) Appl. No.: **29/753,676**

\* cited by examiner

(22) Filed: **Oct. 1, 2020**

(30) **Foreign Application Priority Data**

*Primary Examiner* — Cynthia R Underwood

Apr. 3, 2020 (EM) ..... 007784053-0001

(74) *Attorney, Agent, or Firm* — Lora J. Graentzdoerffer

(51) **LOC (14) Cl.** ..... **08-11**

(52) **U.S. Cl.**  
USPC ..... **D8/367**

(57) **CLAIM**

(58) **Field of Classification Search**  
USPC ..... D8/367, 354, 349, 356; D12/162;  
224/248, 268, 904; 248/62  
CPC .... A47G 29/083; F16B 45/00; A63B 21/0557  
See application file for complete search history.

The ornamental design for a single hook, as shown and described.

**DESCRIPTION**

(56) **References Cited**

FIG. 1 is a perspective view of a single hook showing our design;

**U.S. PATENT DOCUMENTS**

FIG. 2 is a front elevational view;

D436,452 S \* 1/2001 Gastelum ..... D8/367  
D442,073 S \* 5/2001 Lyndon ..... D8/358  
D680,783 S \* 4/2013 Chang ..... D6/550  
D680,804 S \* 4/2013 Gilboe ..... D7/367  
D697,388 S \* 1/2014 Pan ..... D8/367  
D720,986 S \* 1/2015 Citterio ..... D8/367  
D761,638 S \* 7/2016 Johnson ..... D8/367  
D769,702 S \* 10/2016 Kuniyoshi ..... D8/367

FIG. 3 is a rear elevational view;

FIG. 4 is a side elevational view;

FIG. 5 is a top perspective view; and,

FIG. 6 is a bottom perspective view.

The broken lines depict portions of the single hook that form no part of the claim.

**1 Claim, 6 Drawing Sheets**

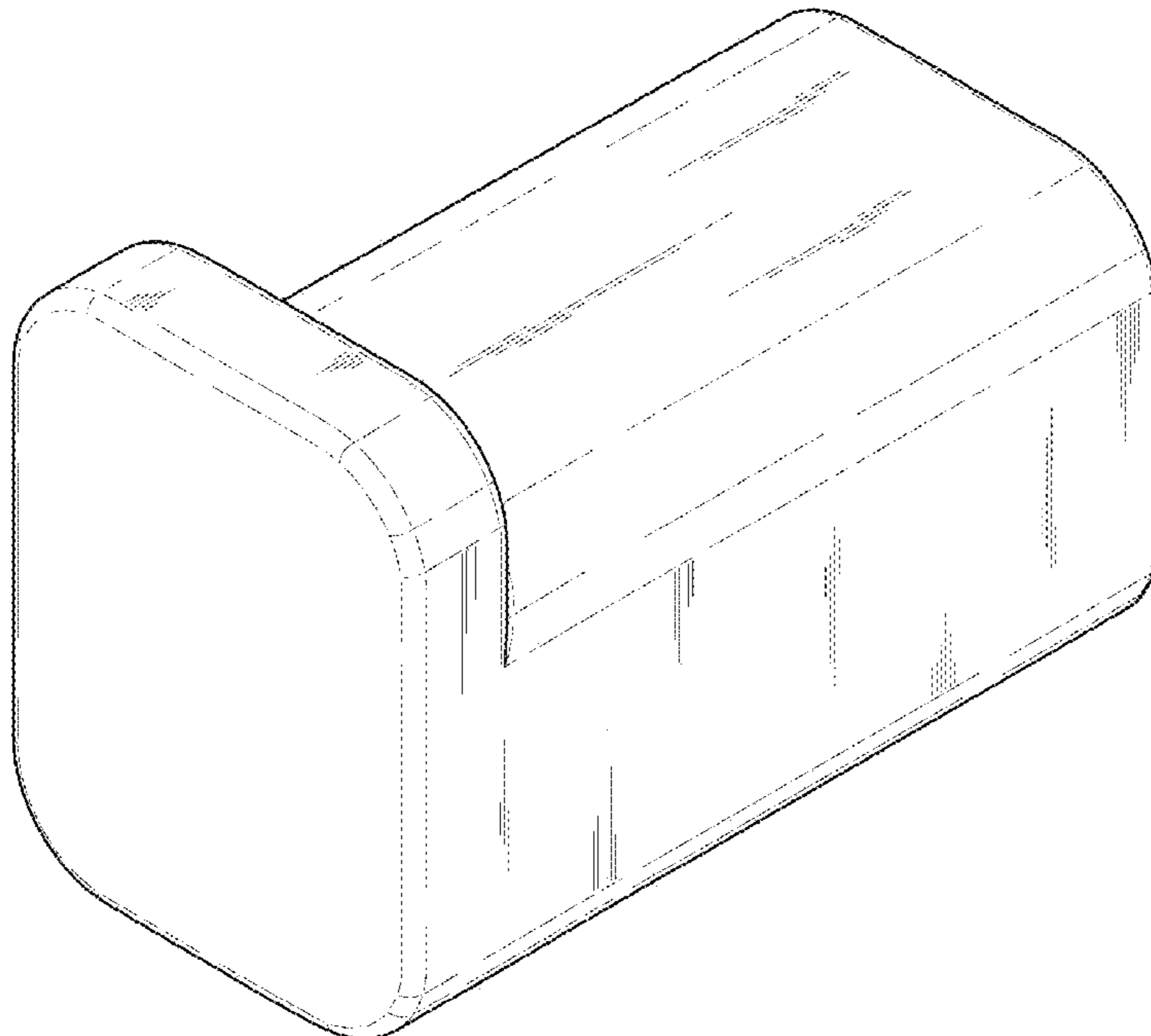


FIG. 1

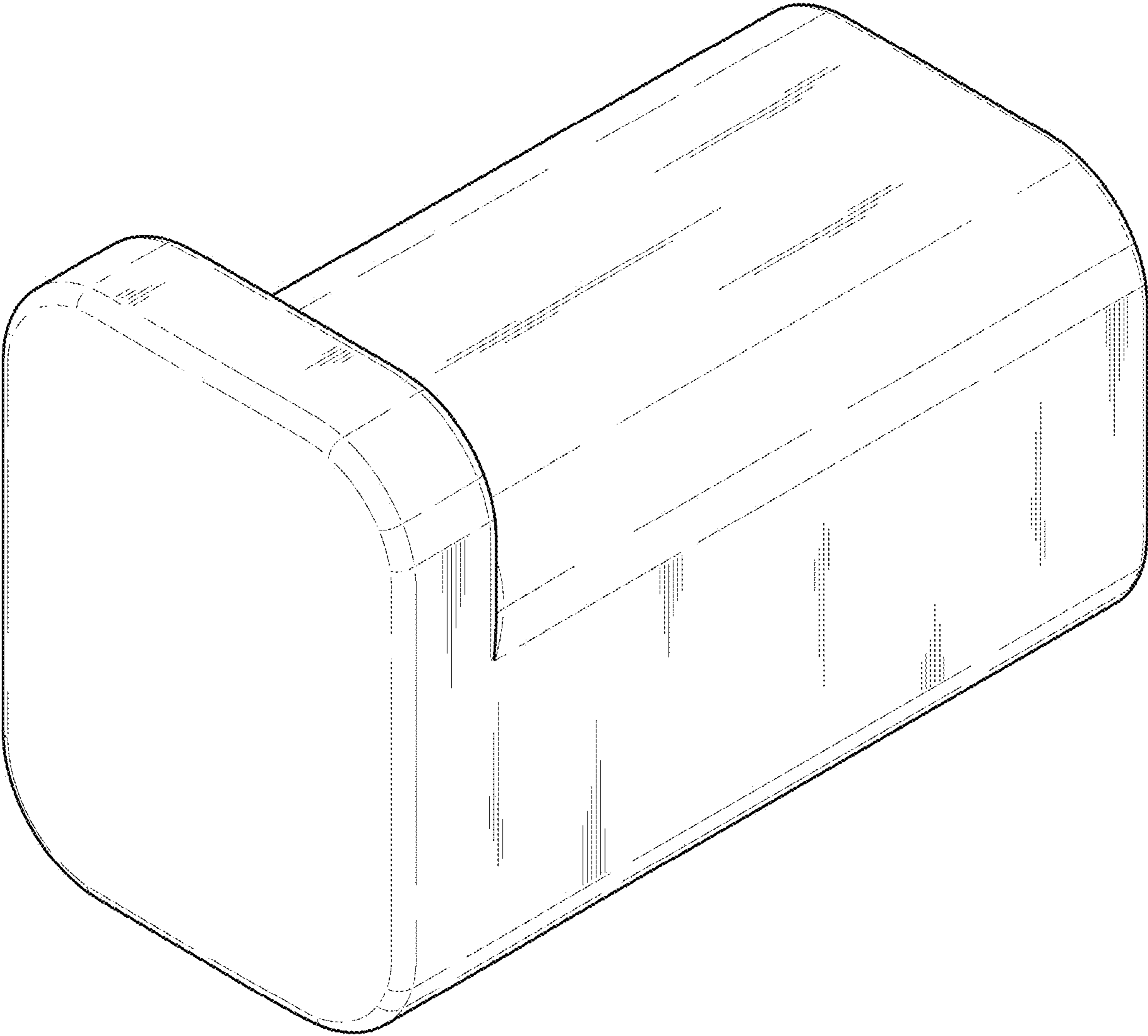


FIG. 2

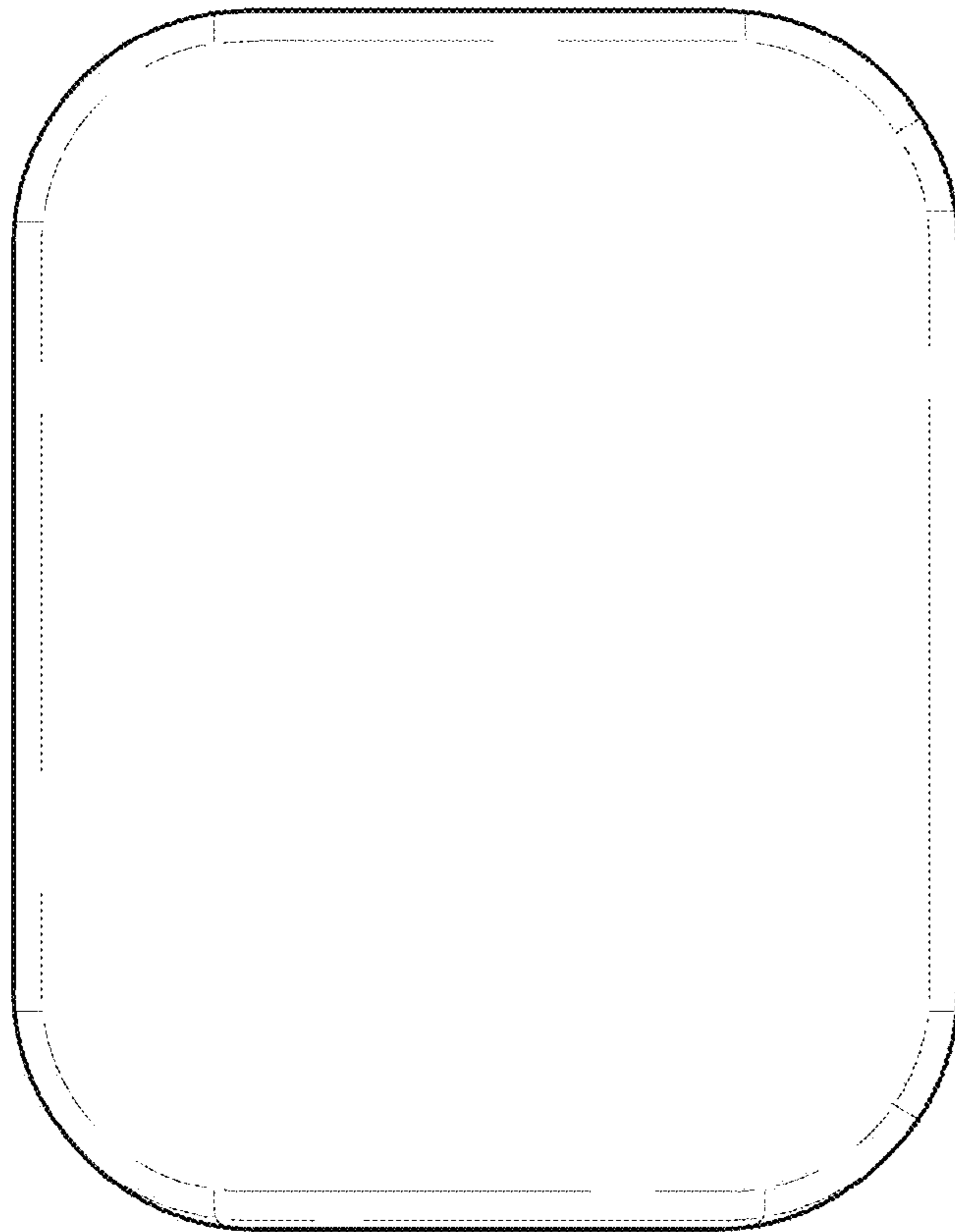


FIG. 3

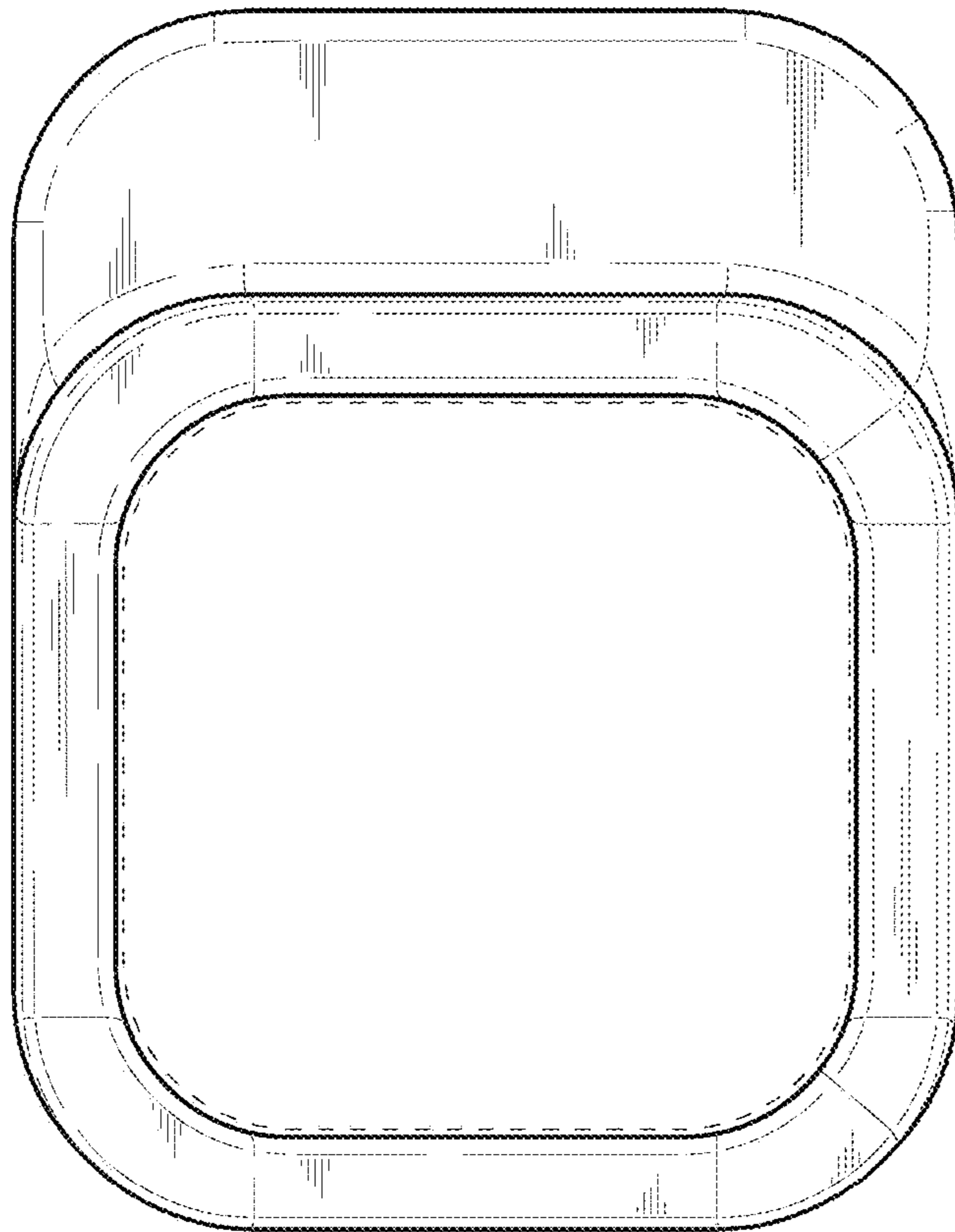


FIG. 4

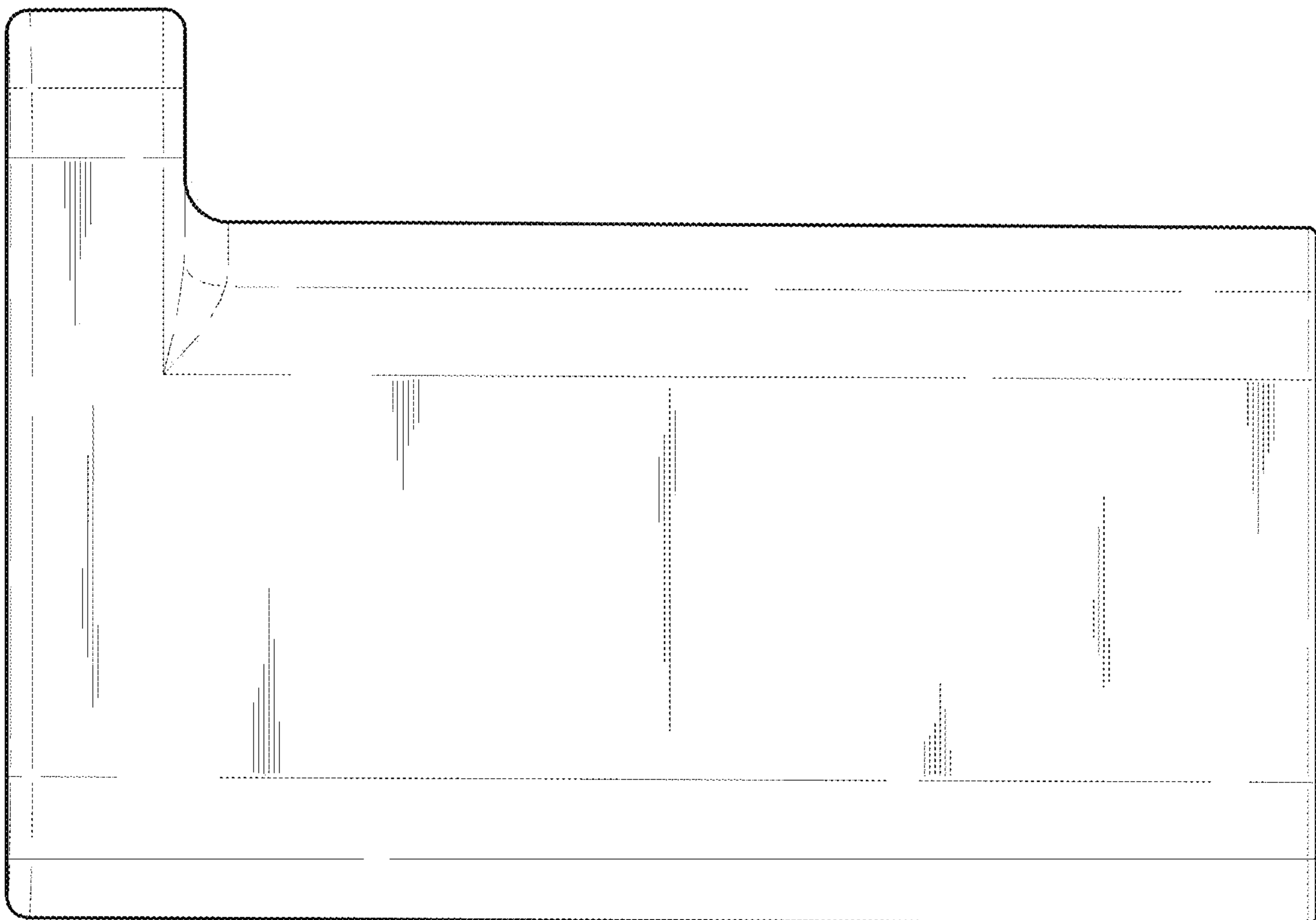


FIG. 5

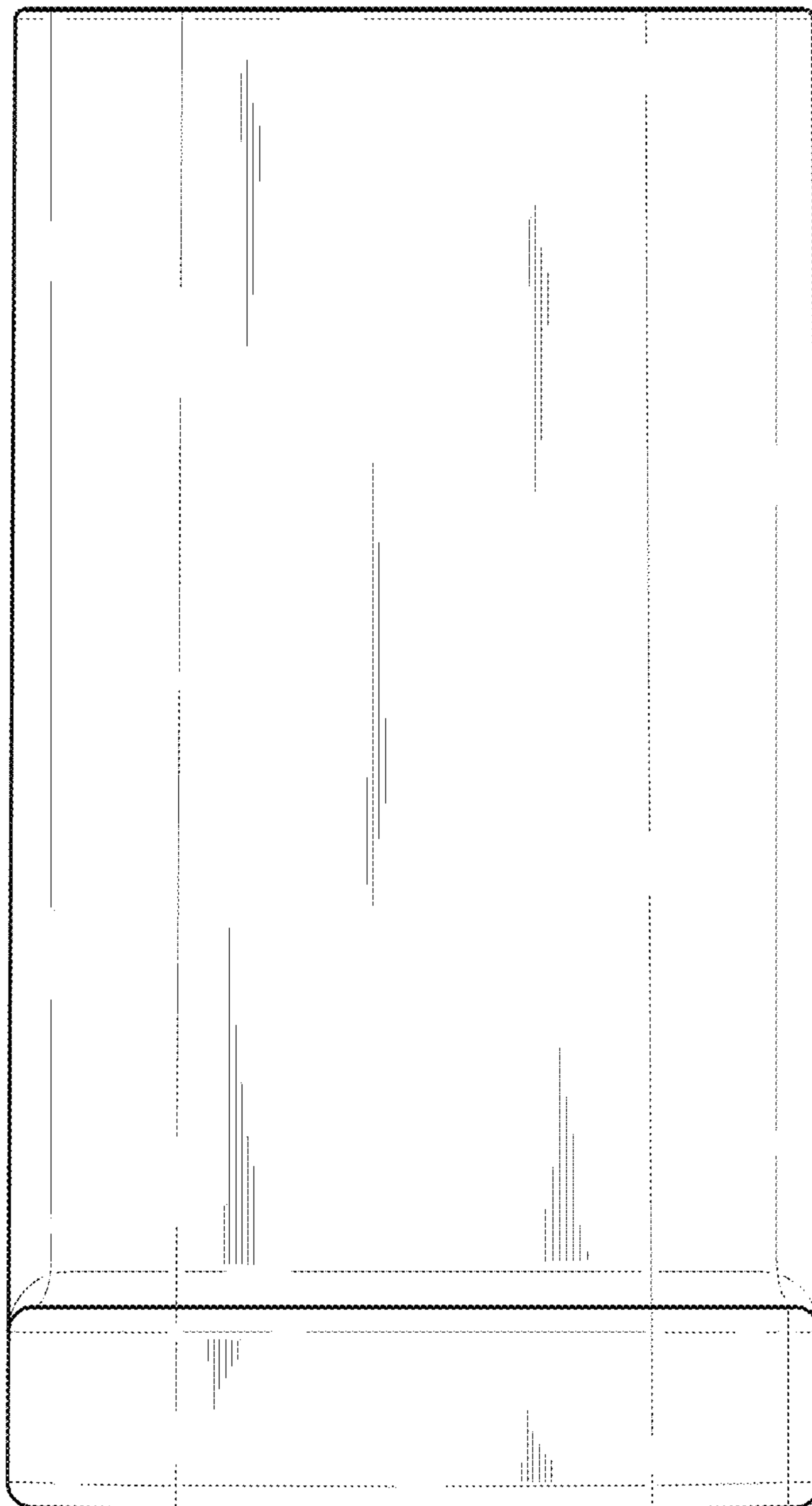


FIG. 6

