



US00D976080S

(12) **United States Design Patent**
Feng

(10) **Patent No.:** **US D976,080 S**

(45) **Date of Patent:** **** Jan. 24, 2023**

(54) **SMART LOCK**

(71) Applicant: **VOLIBEL INC.**, Colorado Springs, CO
(US)

(72) Inventor: **Anhua Feng**, Guangdong (CN)

(73) Assignee: **VOLIBEL INC.**

(**) Term: **15 Years**

(21) Appl. No.: **29/808,415**

(22) Filed: **Sep. 19, 2021**

(51) **LOC (14) Cl.** **08-07**

(52) **U.S. Cl.**
USPC **D8/331**

(58) **Field of Classification Search**
USPC D8/331
CPC E05B 9/002; E05B 37/0031; E05B
2009/004; E05B 2009/006; G05B 9/02;
G05B 19/04; G05B 19/02; G05B
19/41835; G07C 9/00309; G07C 9/0069;
G07C 2009/00452; Y10T 70/7068; Y10T
70/7141; Y10T 70/7237; Y10T 70/8568
See application file for complete search history.

(56) **References Cited**

U.S. PATENT DOCUMENTS

5,709,114 A * 1/1998 Dawson G07C 9/00912
70/284
6,760,964 B1 * 7/2004 Gartner G07C 9/00944
70/214

D747,640 S * 1/2016 Scalisi D8/331
D771,472 S * 11/2016 Gartner D8/331
D789,173 S * 6/2017 Min D8/331
2017/0034485 A1 * 2/2017 Scalisi H04N 7/186
2017/0204636 A1 * 7/2017 Sack G07C 9/00309
2017/0247914 A1 * 8/2017 Waugh E05B 67/383

* cited by examiner

Primary Examiner — Doris Clark

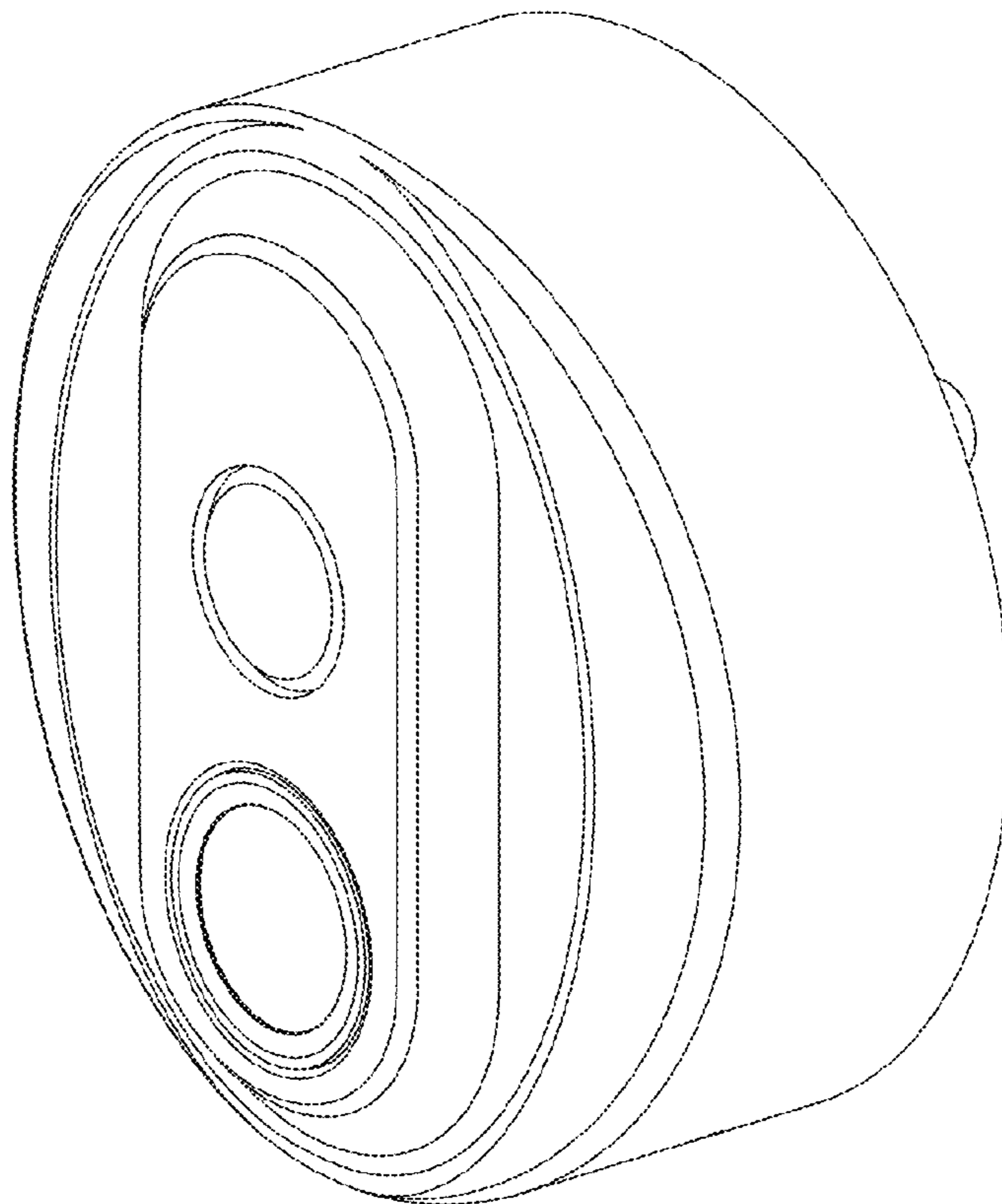
(57) **CLAIM**

The ornamental design for a smart lock, as shown and described.

DESCRIPTION

FIG. 1 is a perspective view of a smart lock showing my new design;
FIG. 2 is an alternative perspective view thereof;
FIG. 3 is a front view thereof;
FIG. 4 is a back view thereof;
FIG. 5 is a left side view thereof;
FIG. 6 is a right side view thereof;
FIG. 7 is a top plan view thereof; and,
FIG. 8 is a bottom plan view thereof.

1 Claim, 8 Drawing Sheets



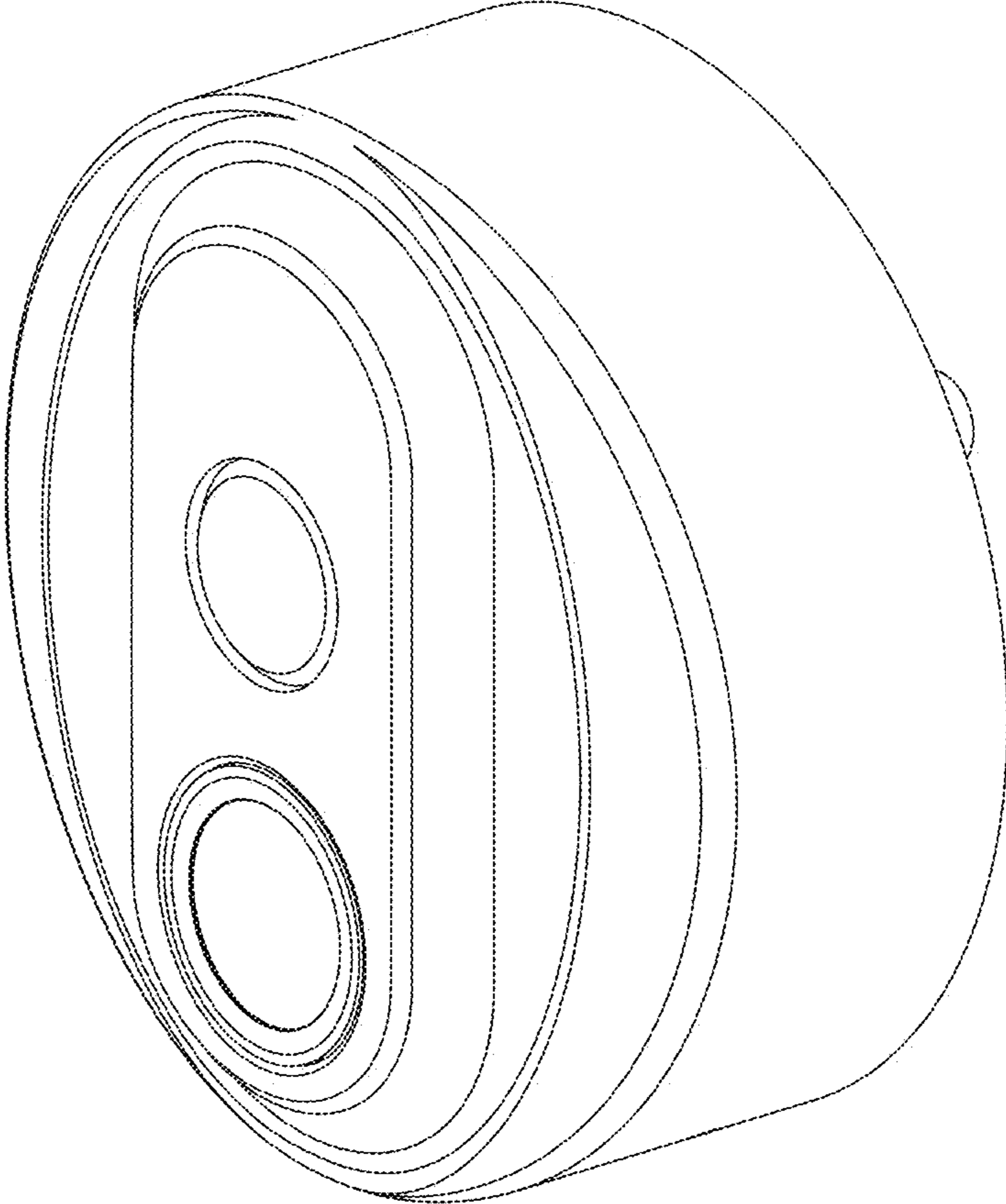


FIG. 1

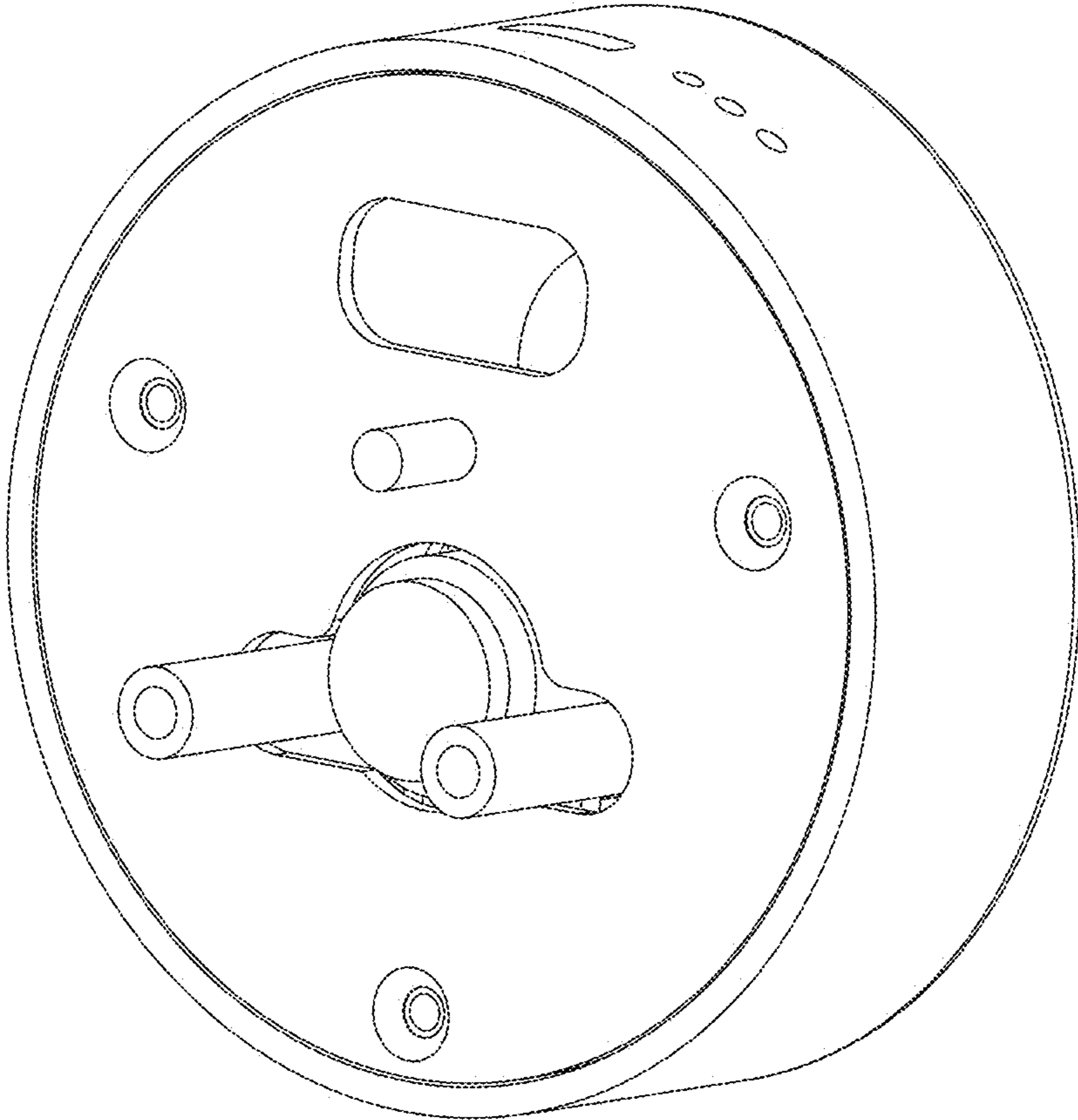


FIG. 2

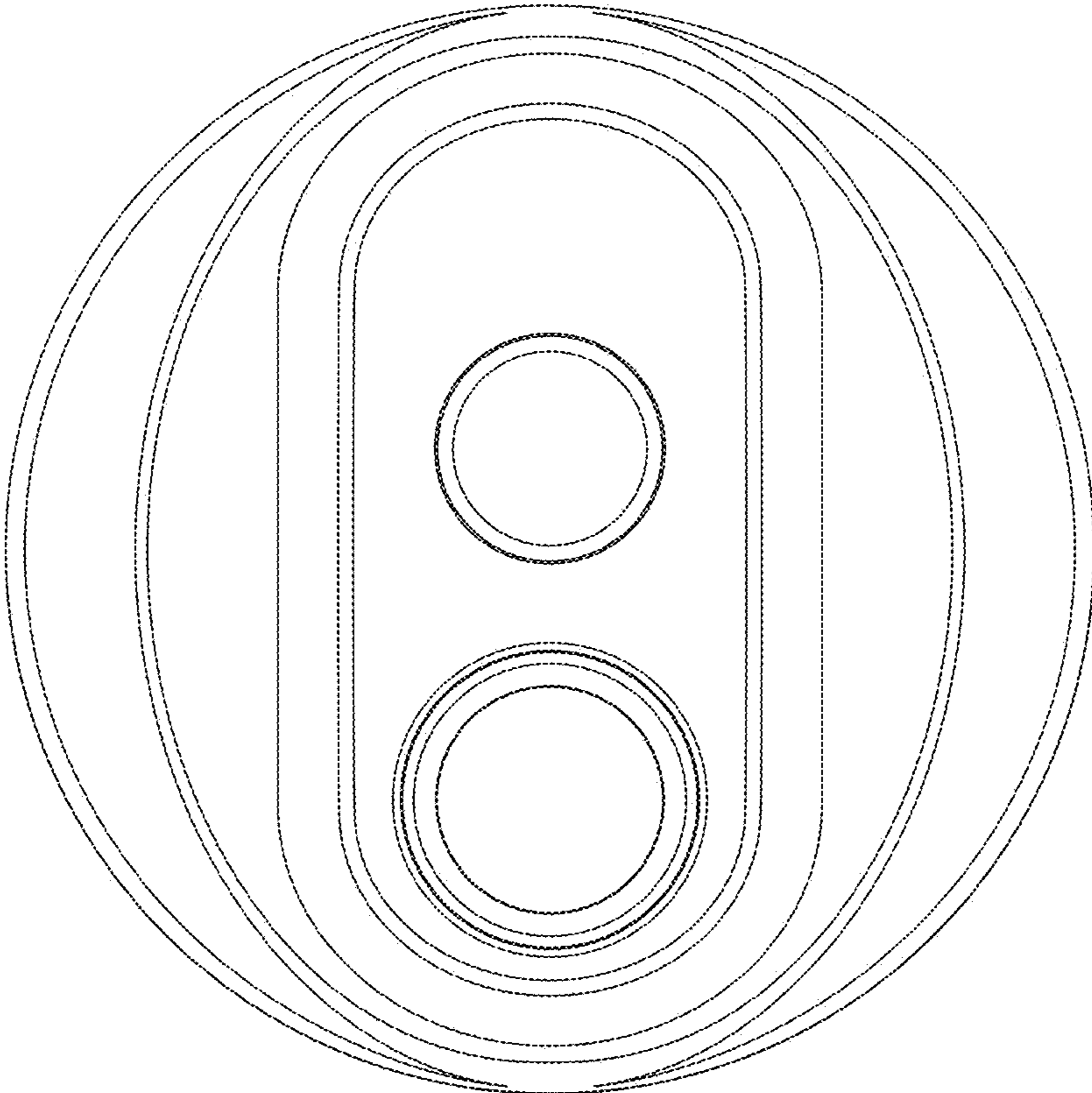


FIG. 3

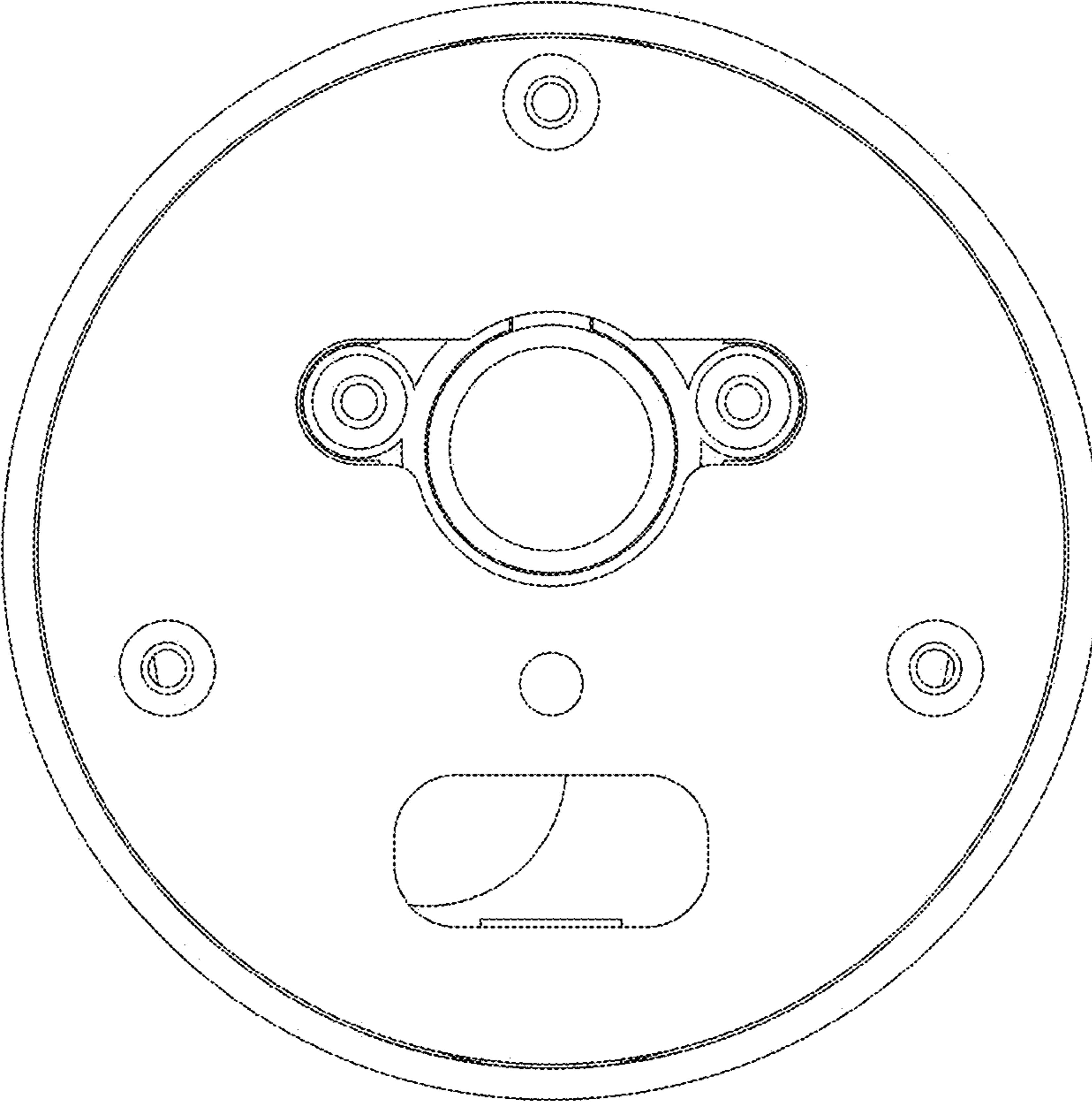


FIG. 4

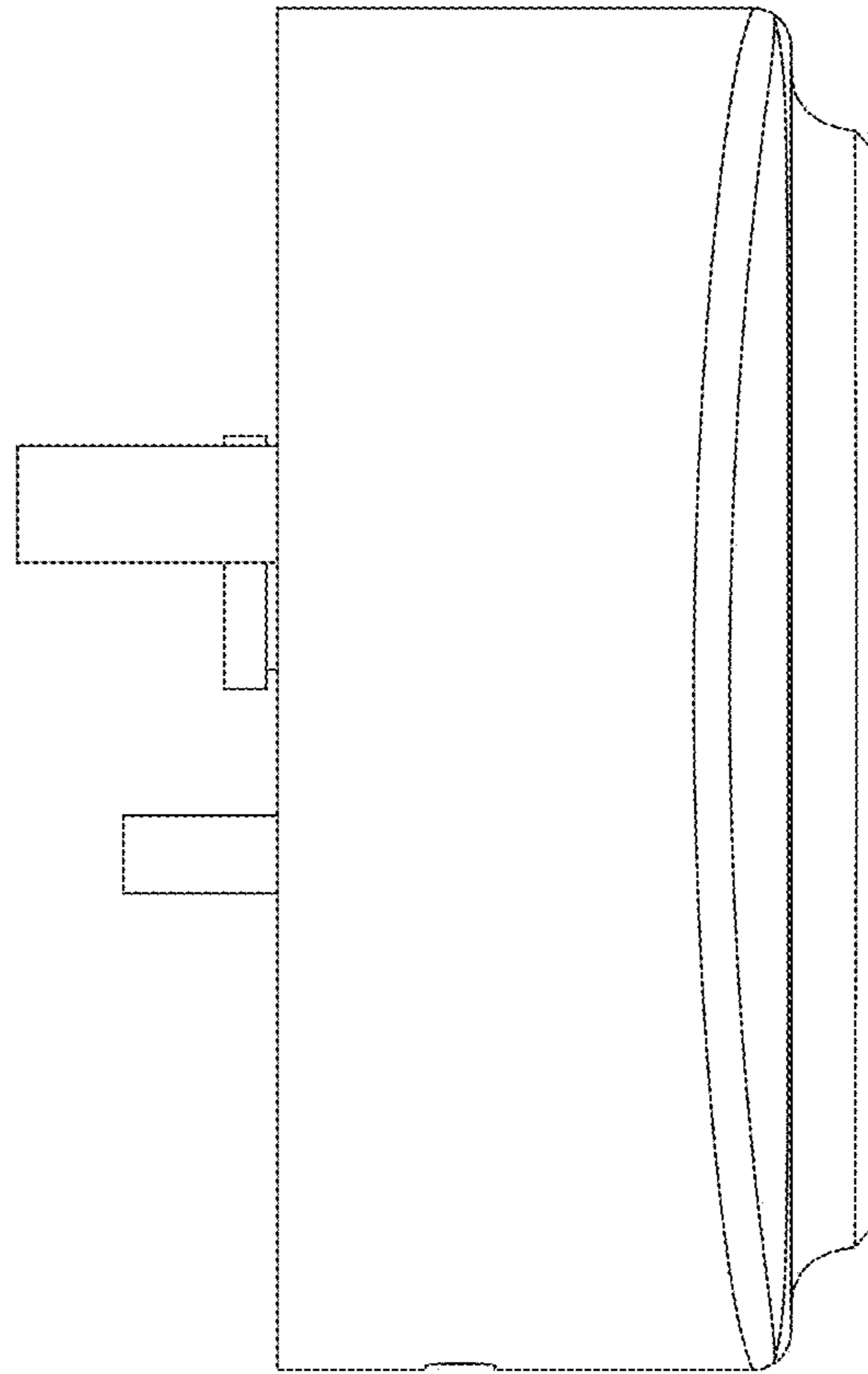


FIG. 5

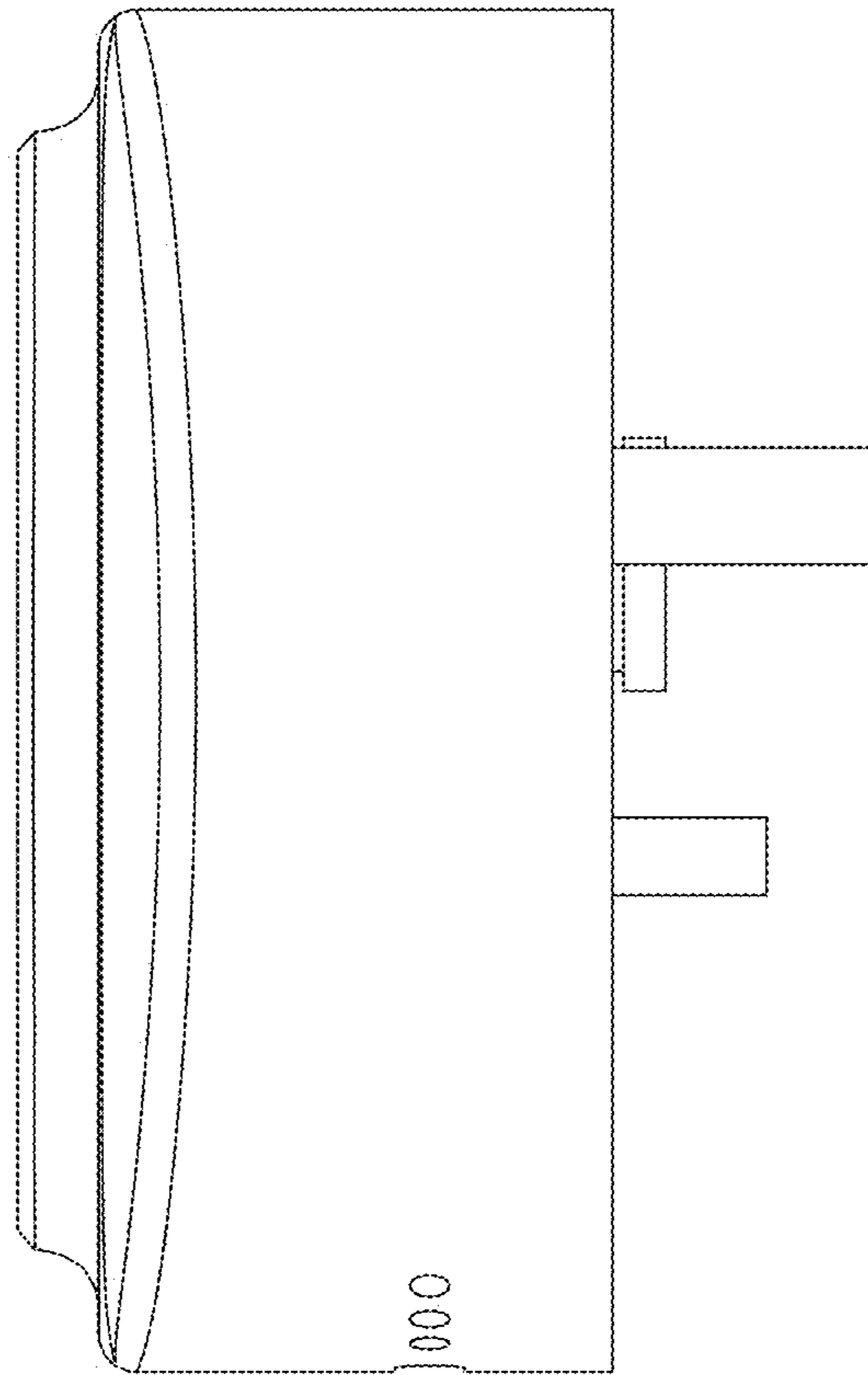


FIG. 6

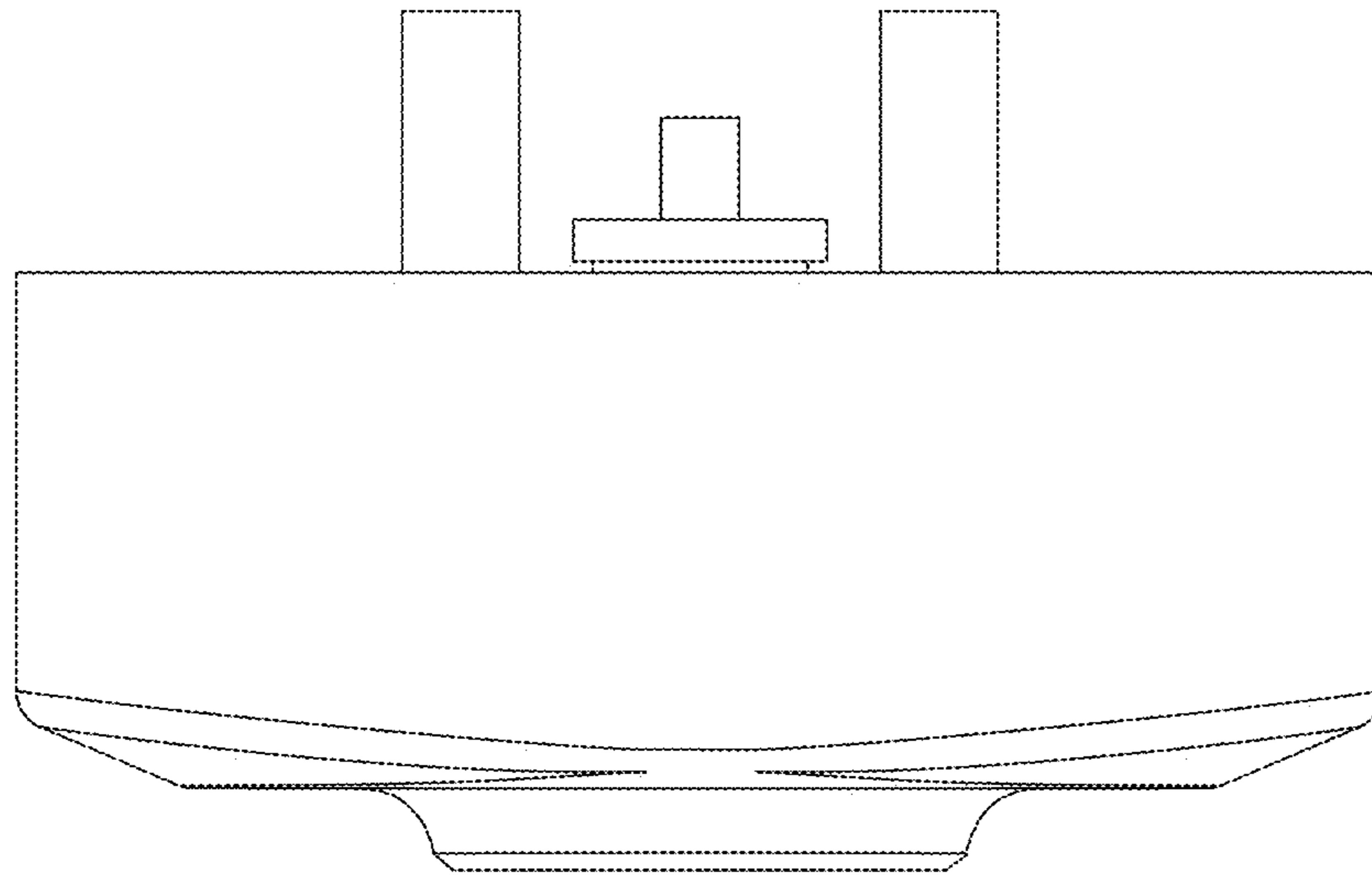


FIG. 7

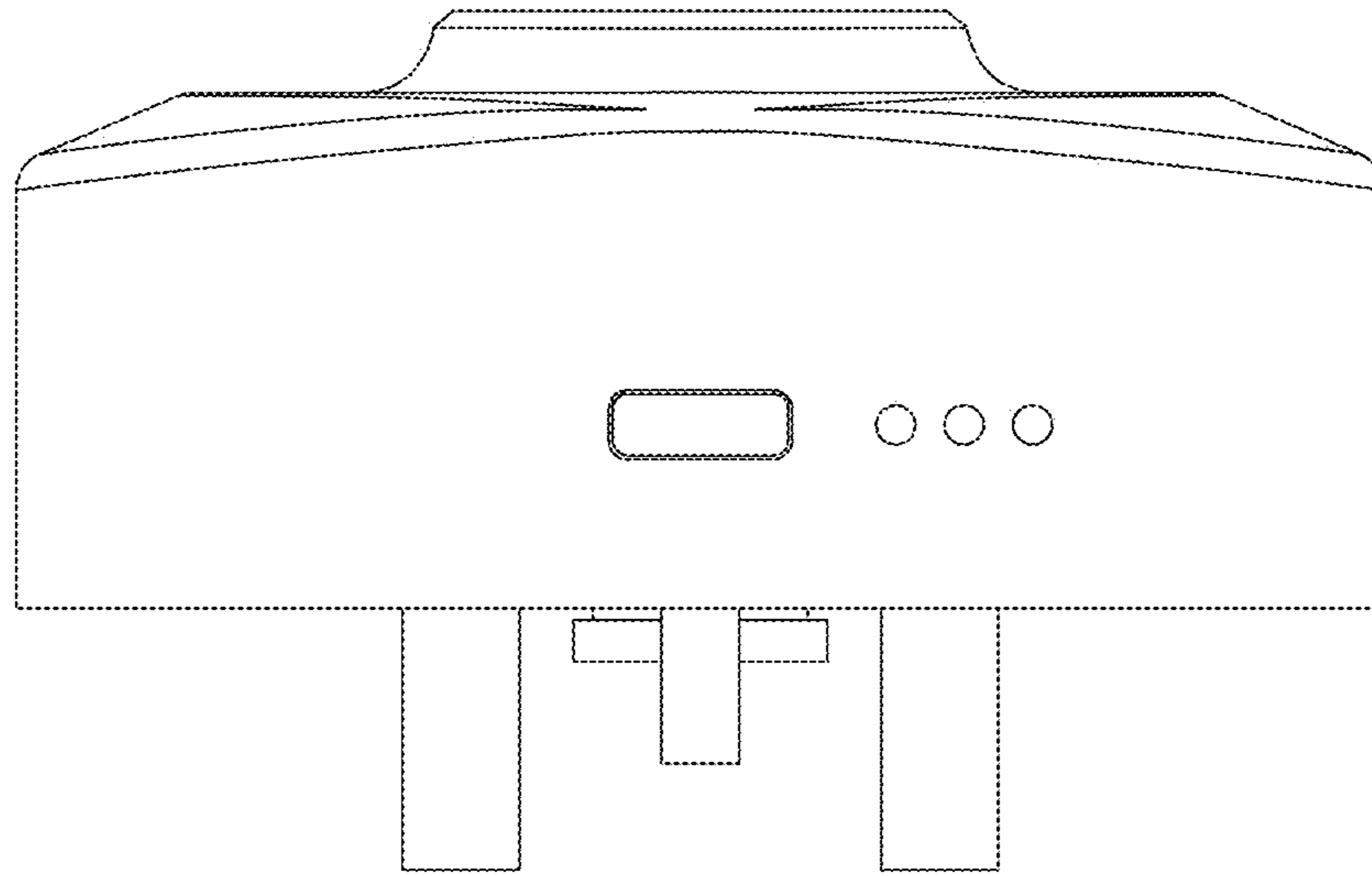


FIG. 8