



US00D976079S

(12) **United States Design Patent**  
**Feng**

(10) **Patent No.:** **US D976,079 S**

(45) **Date of Patent:** **\*\* Jan. 24, 2023**

(54) **SMART LOCK**

(71) Applicant: **VOLIBEL INC.**, Colorado Springs, CO  
(US)

(72) Inventor: **Anhua Feng**, Guangdong (CN)

(73) Assignee: **VOLIBEL INC.**

(\*\*) Term: **15 Years**

(21) Appl. No.: **29/808,414**

(22) Filed: **Sep. 19, 2021**

(51) **LOC (14) Cl.** ..... **08-07**

(52) **U.S. Cl.**  
USPC ..... **D8/331**

(58) **Field of Classification Search**  
USPC ..... D8/331  
CPC ..... E05B 9/002; E05B 37/0031; E05B  
2009/004; E05B 2009/006; G05B 9/02;  
G05B 19/04; G05B 19/02; G05B  
19/41835; G07C 9/00309; G07C 9/0069;  
G07C 2009/00452; Y10T 70/7068; Y10T  
70/7141; Y10T 70/7237; Y10T 70/8568  
See application file for complete search history.

(56) **References Cited**

**U.S. PATENT DOCUMENTS**

5,709,114 A \* 1/1998 Dawson ..... G07C 9/00912  
70/284  
6,760,964 B1 \* 7/2004 Gartner ..... G07C 9/00944  
70/214

D747,640 S \* 1/2016 Scalisi ..... D8/331  
D771,472 S \* 11/2016 Gartner ..... D8/331  
D789,173 S \* 6/2017 Min ..... D8/331  
2017/0034485 A1 \* 2/2017 Scalisi ..... H04N 7/186  
2017/0204636 A1 \* 7/2017 Sack ..... G07C 9/00309  
2017/0247914 A1 \* 8/2017 Waugh ..... E05B 67/383

\* cited by examiner

*Primary Examiner* — Doris Clark

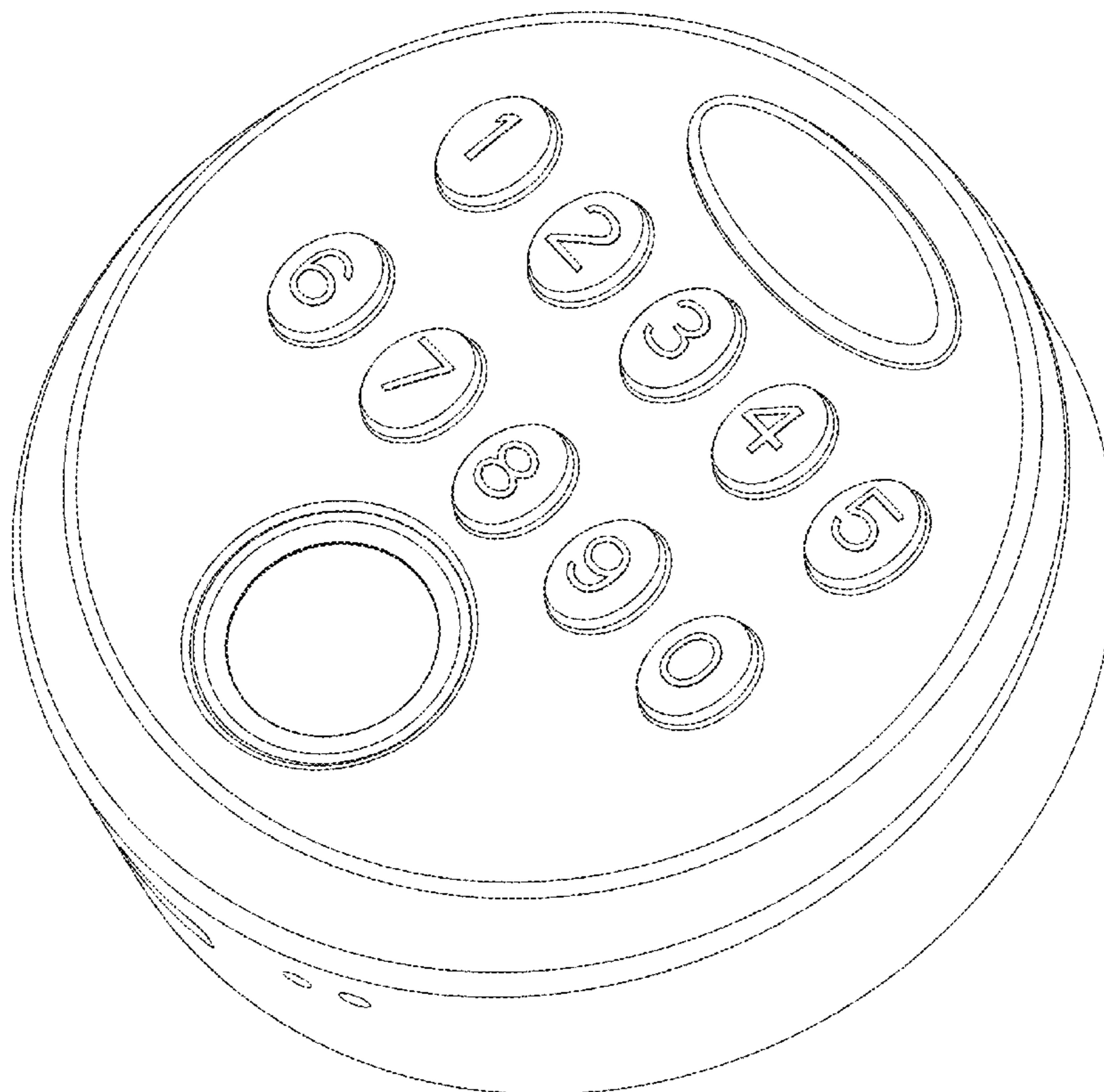
(57) **CLAIM**

The ornamental design for a smart lock, as shown and described.

**DESCRIPTION**

FIG. 1 is a perspective view of a smart lock showing my new design;  
FIG. 2 is an alternative perspective view thereof;  
FIG. 3 is a front view thereof;  
FIG. 4 is a back view thereof;  
FIG. 5 is a left side view thereof;  
FIG. 6 is a right side view thereof;  
FIG. 7 is a top plan view thereof; and,  
FIG. 8 is a bottom plan view thereof.

**1 Claim, 8 Drawing Sheets**



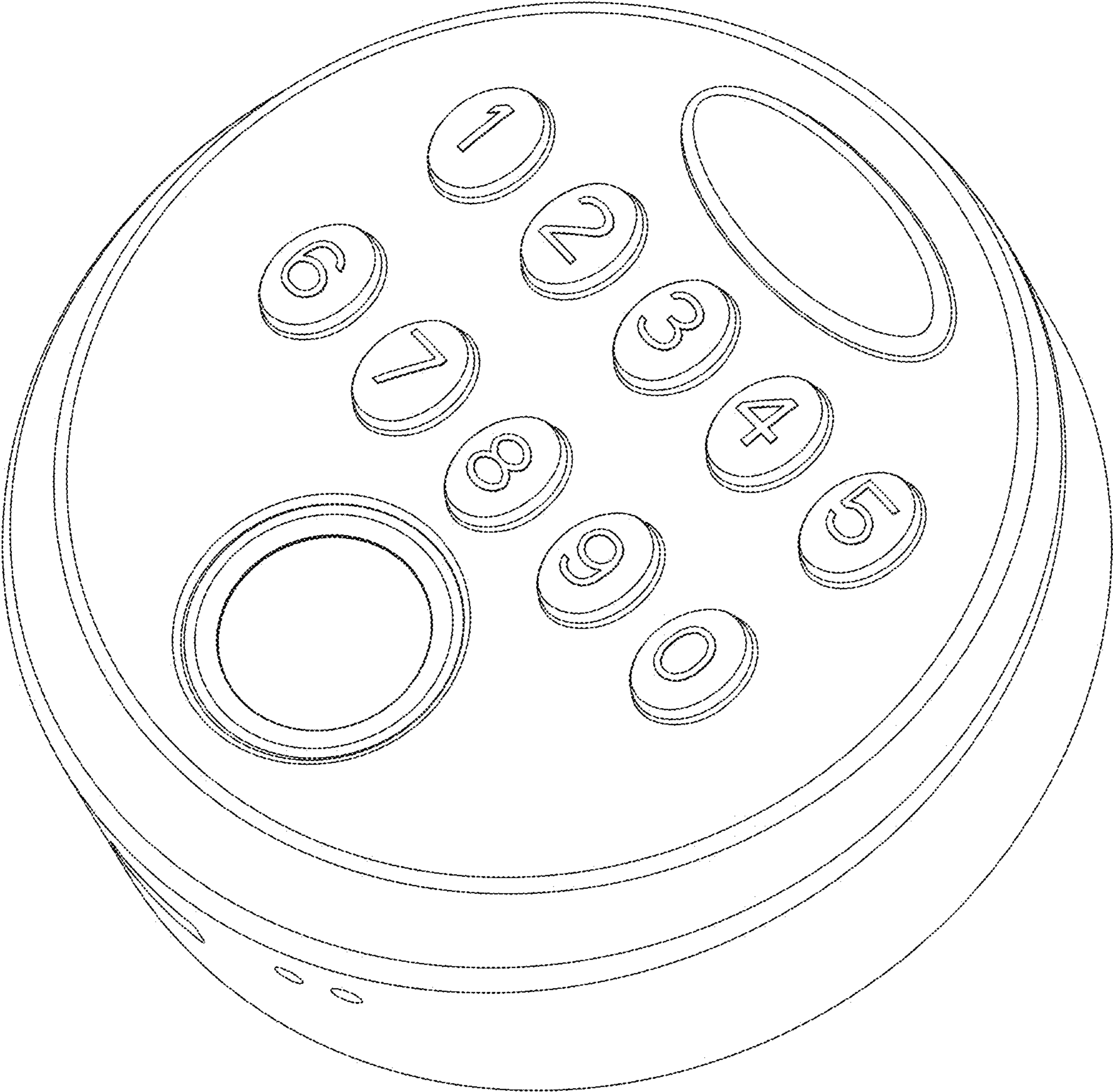


FIG. 1

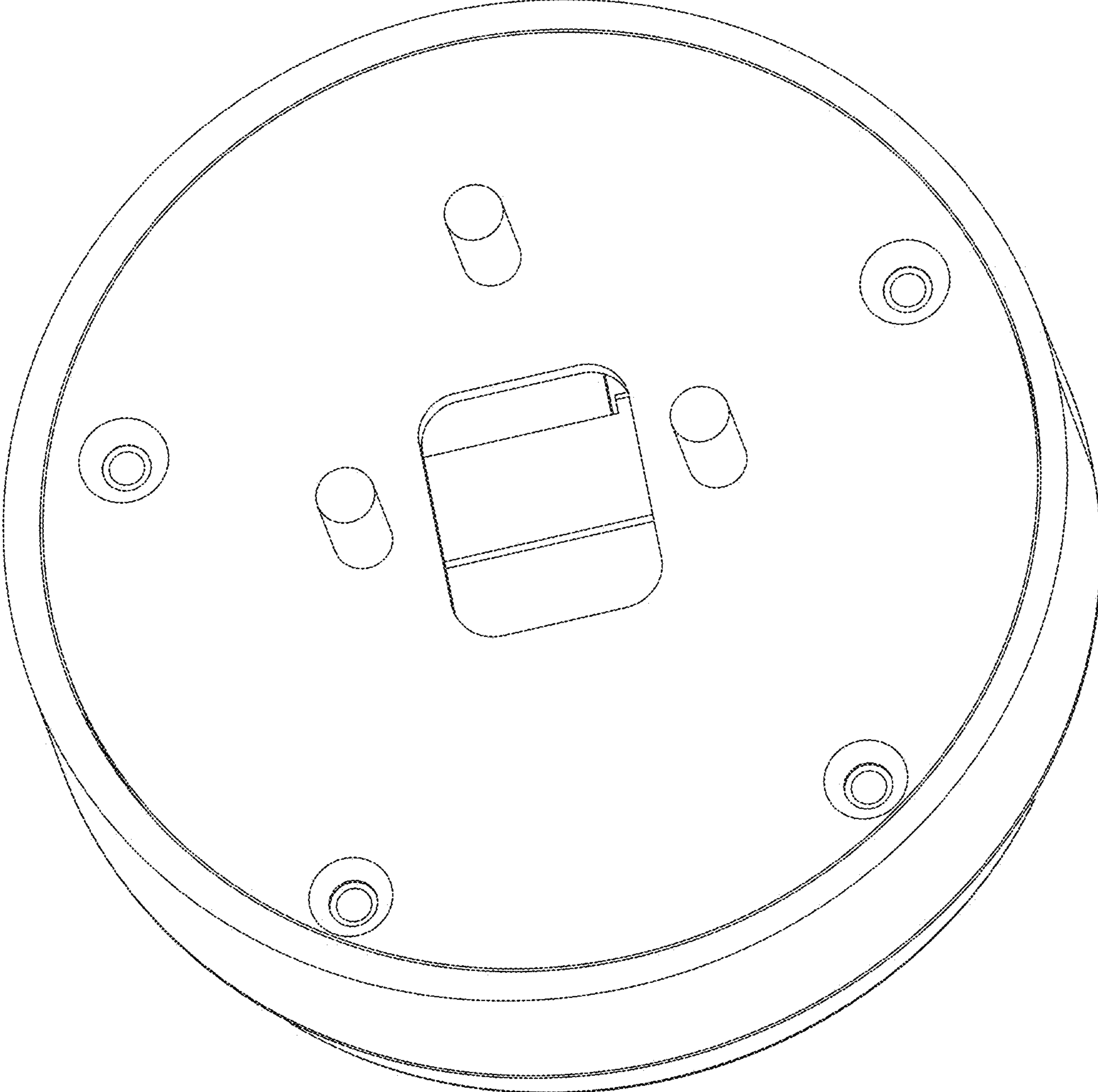


FIG. 2

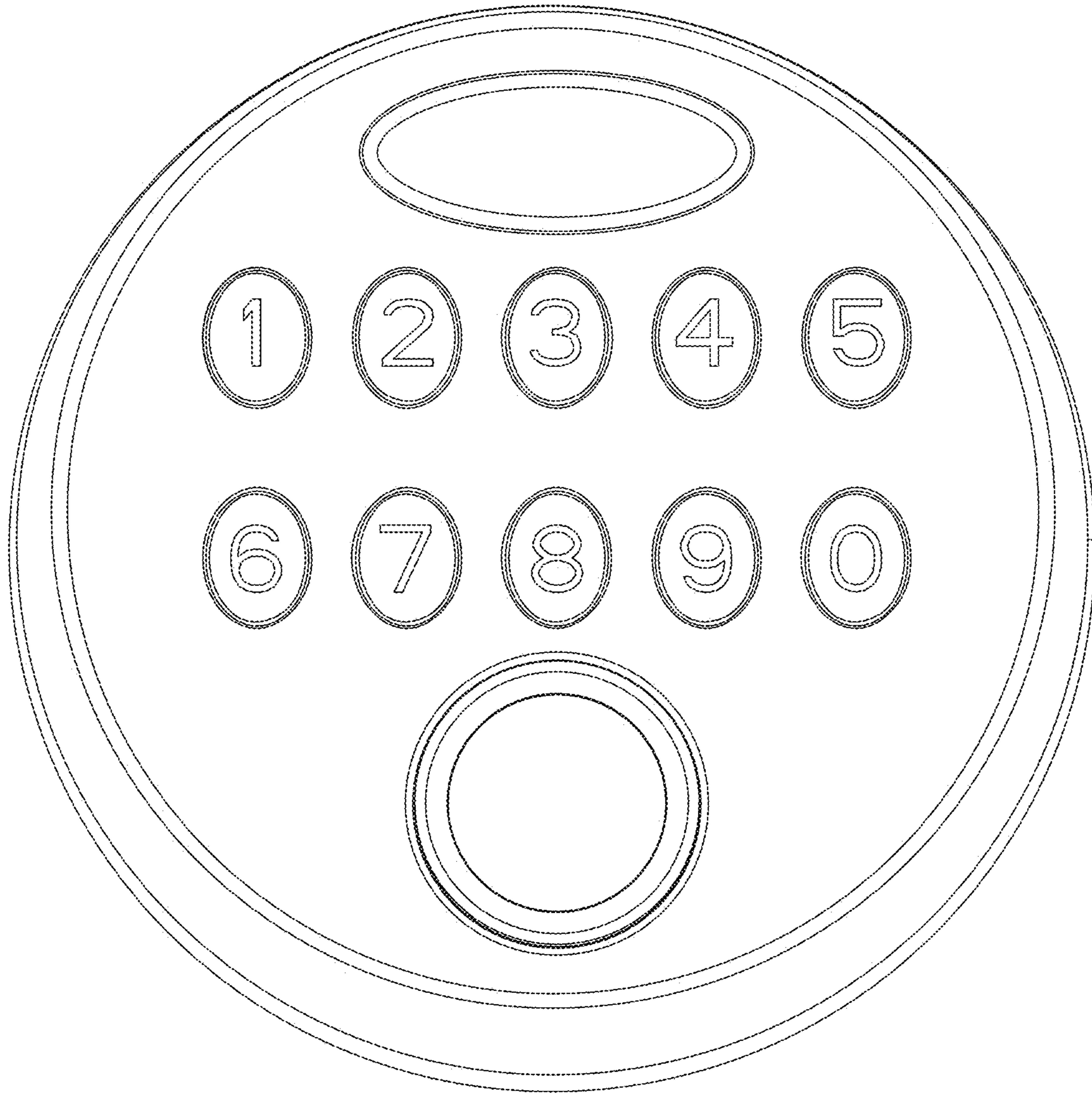


FIG. 3

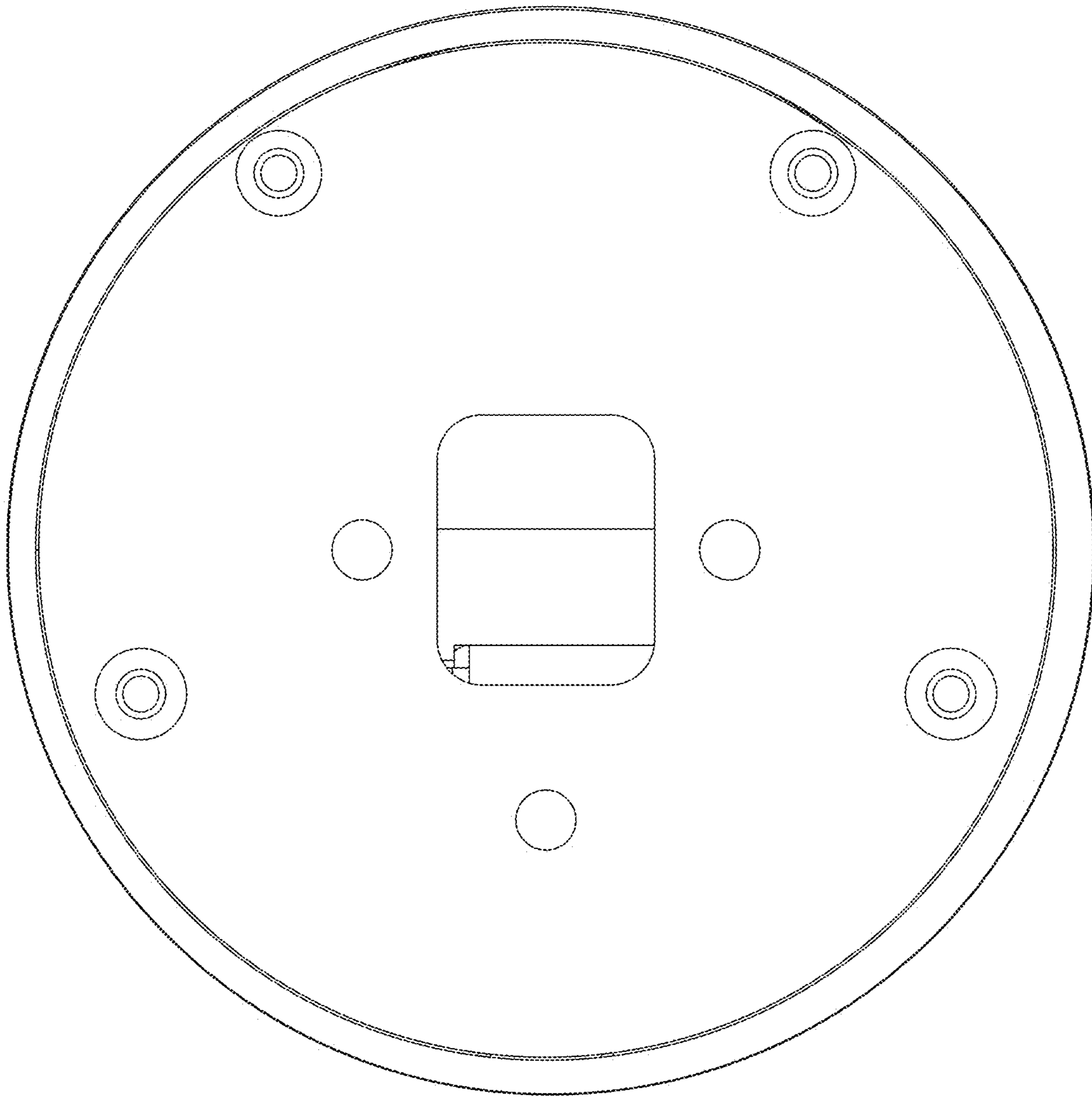


FIG. 4

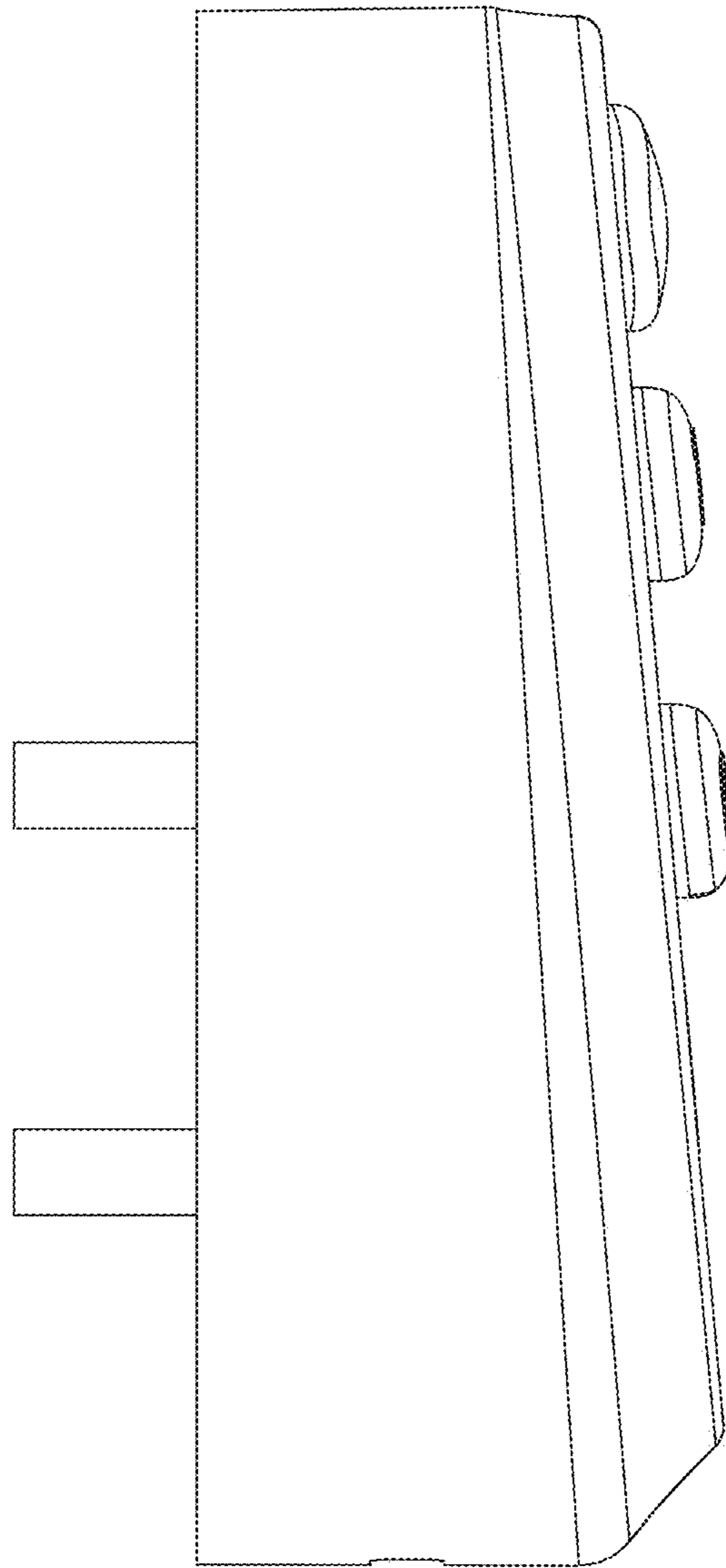


FIG. 5

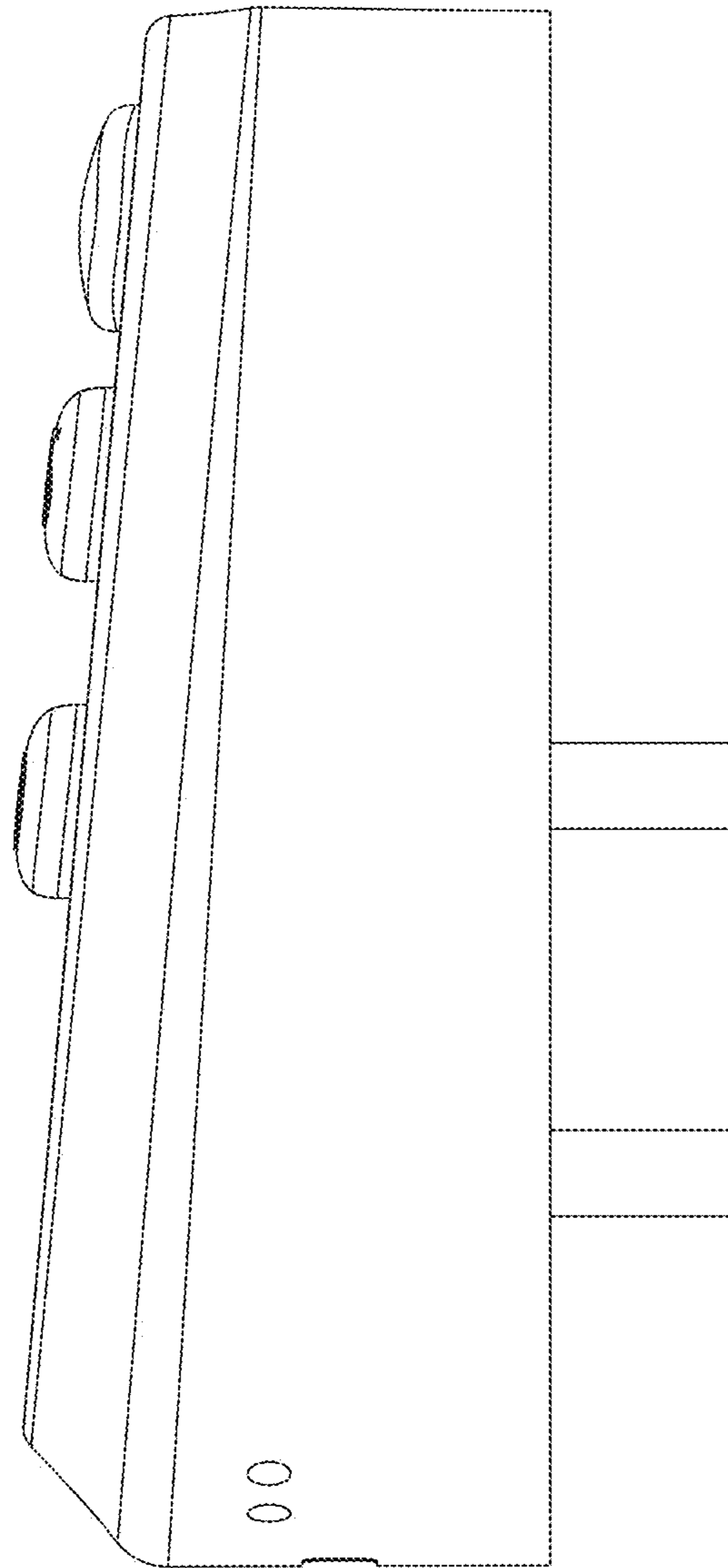


FIG. 6

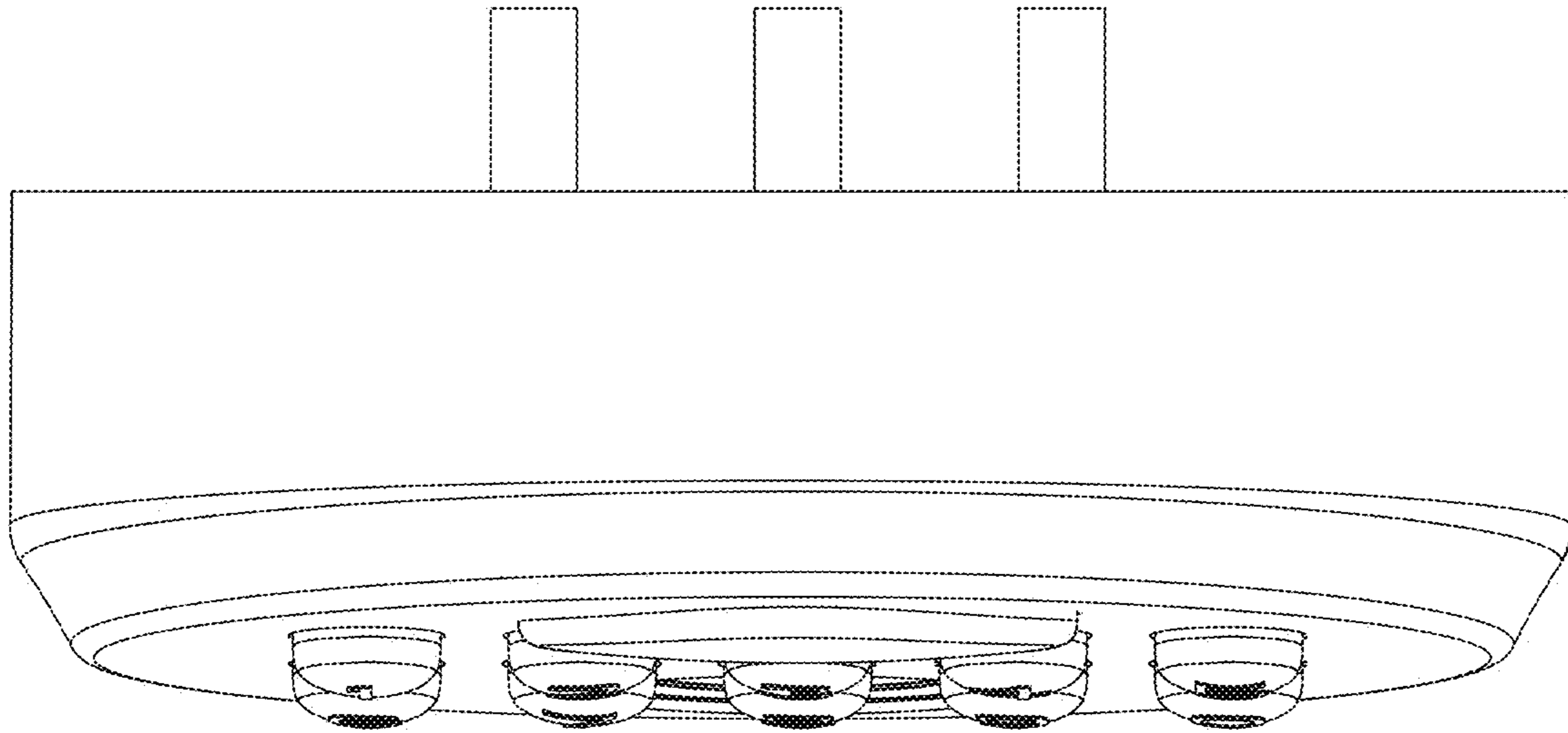


FIG. 7



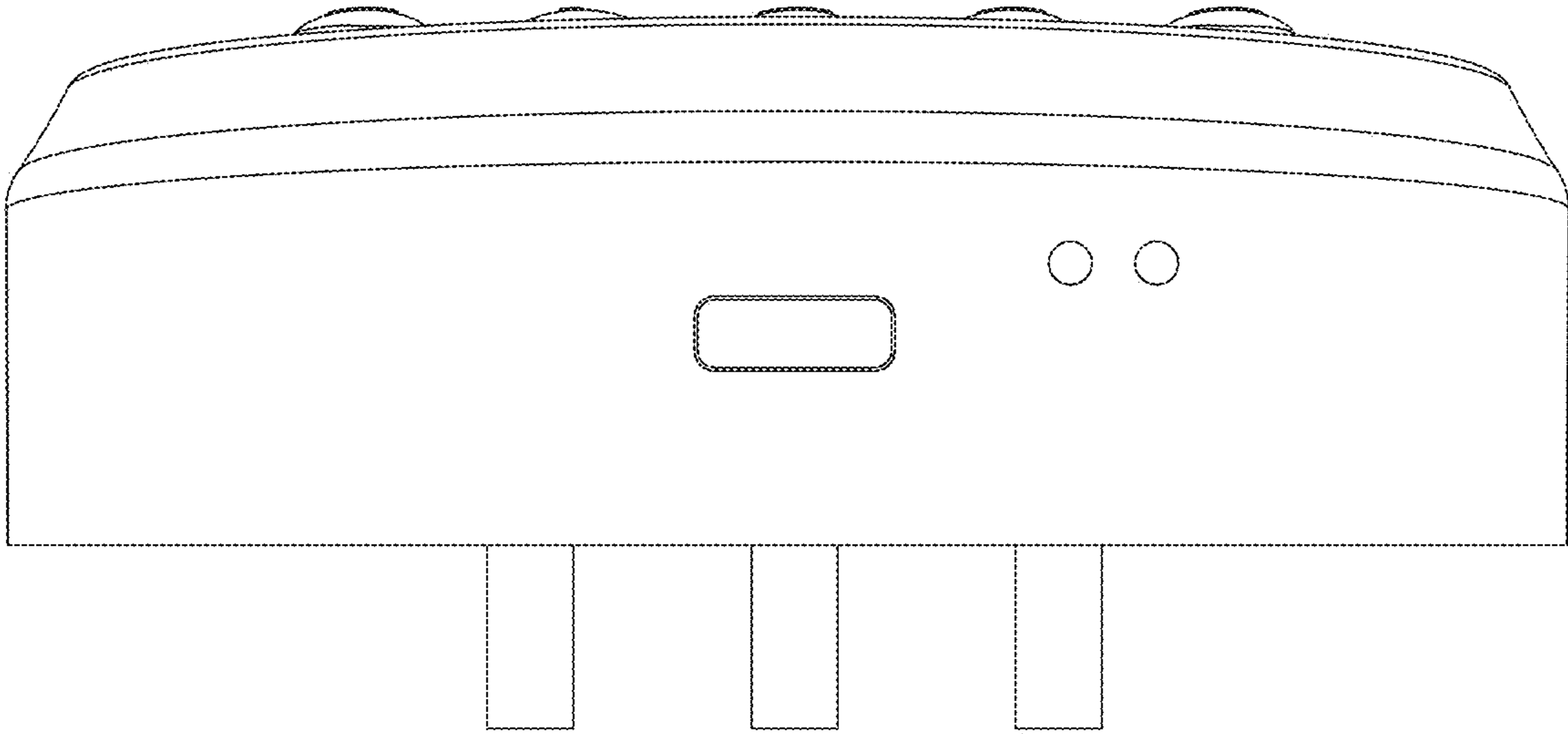


FIG. 8