



US00D976078S

(12) **United States Design Patent**  
**Lin et al.**

(10) **Patent No.:** **US D976,078 S**  
(45) **Date of Patent:** **\*\* Jan. 24, 2023**

(54) **HANDLE**  
(71) Applicant: **CHENBRO MICOM CO., LTD.**, New Taipei (TW)  
(72) Inventors: **Chiung-Wei Lin**, New Taipei (TW); **Yi-Hsiu Tang**, New Taipei (TW)  
(73) Assignee: **CHENBRO MICOM CO., LTD.**, New Taipei (TW)

(\*\*) Term: **15 Years**  
(21) Appl. No.: **29/800,946**  
(22) Filed: **Jul. 26, 2021**

(30) **Foreign Application Priority Data**  
Jun. 30, 2021 (TW) ..... 110303425  
(51) **LOC (14) Cl.** ..... **08-06**  
(52) **U.S. Cl.**  
USPC ..... **D8/314; D8/301**  
(58) **Field of Classification Search**  
USPC ..... D8/300-302, 307, 308, 313-314  
CPC ..... E05B 1/0053; E05B 1/0015; Y10T 16/458  
See application file for complete search history.

(56) **References Cited**  
U.S. PATENT DOCUMENTS  
D232,518 S \* 8/1974 McCoy ..... D8/371  
D268,985 S \* 5/1983 Stark ..... D8/313  
4,817,239 A \* 4/1989 Campbell ..... E05B 1/0053  
16/443  
D405,346 S \* 2/1999 Heithe ..... D8/301

6,189,183 B1 \* 2/2001 Hartselle, III ..... E05B 1/0069  
16/412  
D469,329 S \* 1/2003 Martin ..... D8/316  
D580,256 S \* 11/2008 Miska ..... D8/314  
D595,560 S \* 7/2009 Miska ..... D8/314  
D948,308 S \* 4/2022 Turk ..... D8/314  
2005/0005402 A1 \* 1/2005 Moody ..... E05B 53/001  
16/413  
2022/0081931 A1 \* 3/2022 Bennett ..... E05B 1/0053  
2022/0106812 A1 \* 4/2022 Sauret ..... E05B 1/0053  
2022/0333404 A1 \* 10/2022 McIntire ..... E05B 1/0053

\* cited by examiner

*Primary Examiner* — Lauren R Calve  
(74) *Attorney, Agent, or Firm* — CKC & Partners Co., LLC

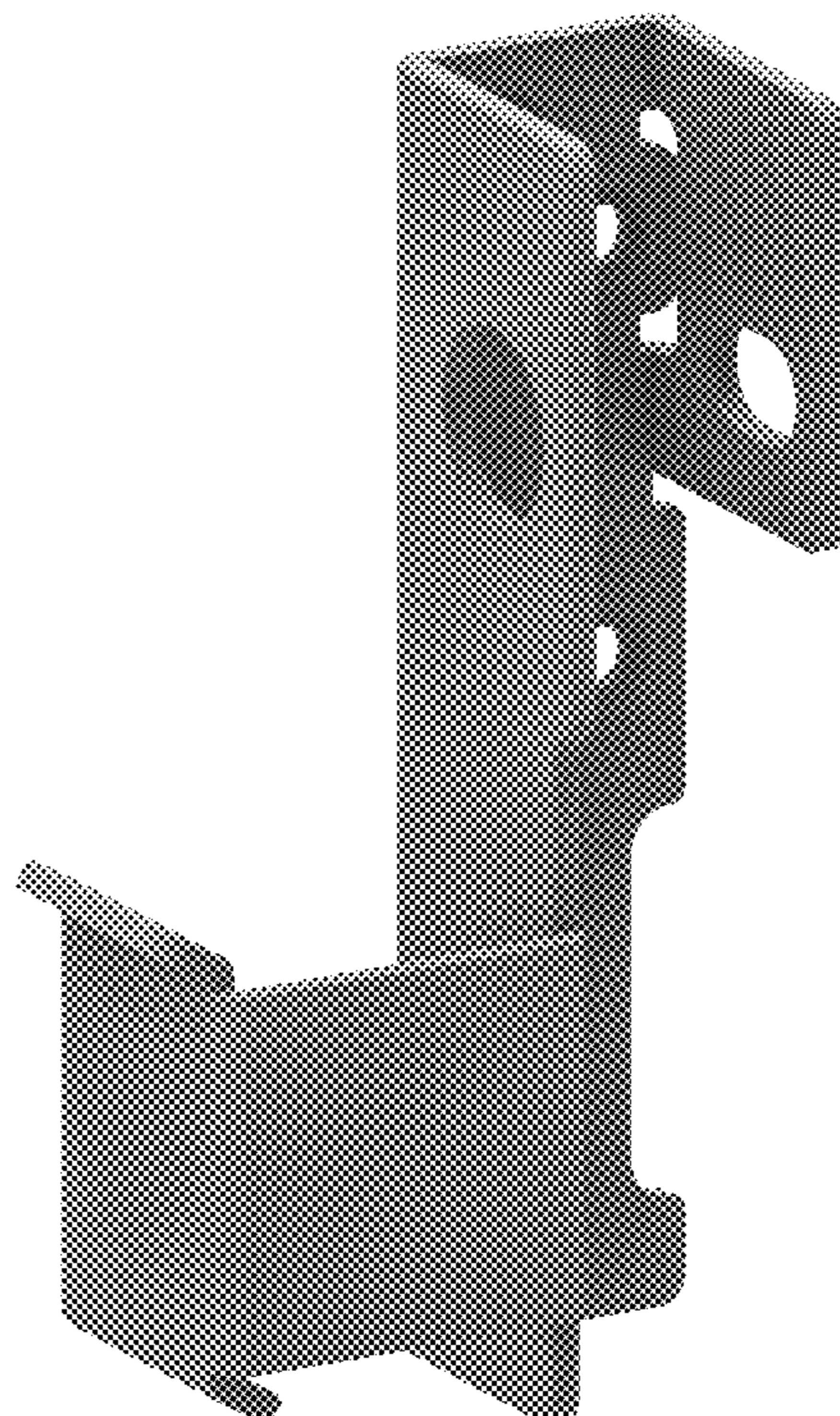
(57) **CLAIM**

The ornamental design for a handle, as shown and described.

**DESCRIPTION**

FIG. 1 is a front, top, left perspective view of a handle, showing the claimed design;  
FIG. 2 is a front elevational view thereof;  
FIG. 3 is a rear elevational view thereof;  
FIG. 4 is a left side elevational view thereof;  
FIG. 5 is a right side elevational view thereof;  
FIG. 6 is a top plan view thereof; and,  
FIG. 7 is a bottom plan view thereof.  
The gray scale shading shown illustrates the curvatures of the claim and does not represent color.

**1 Claim, 7 Drawing Sheets**



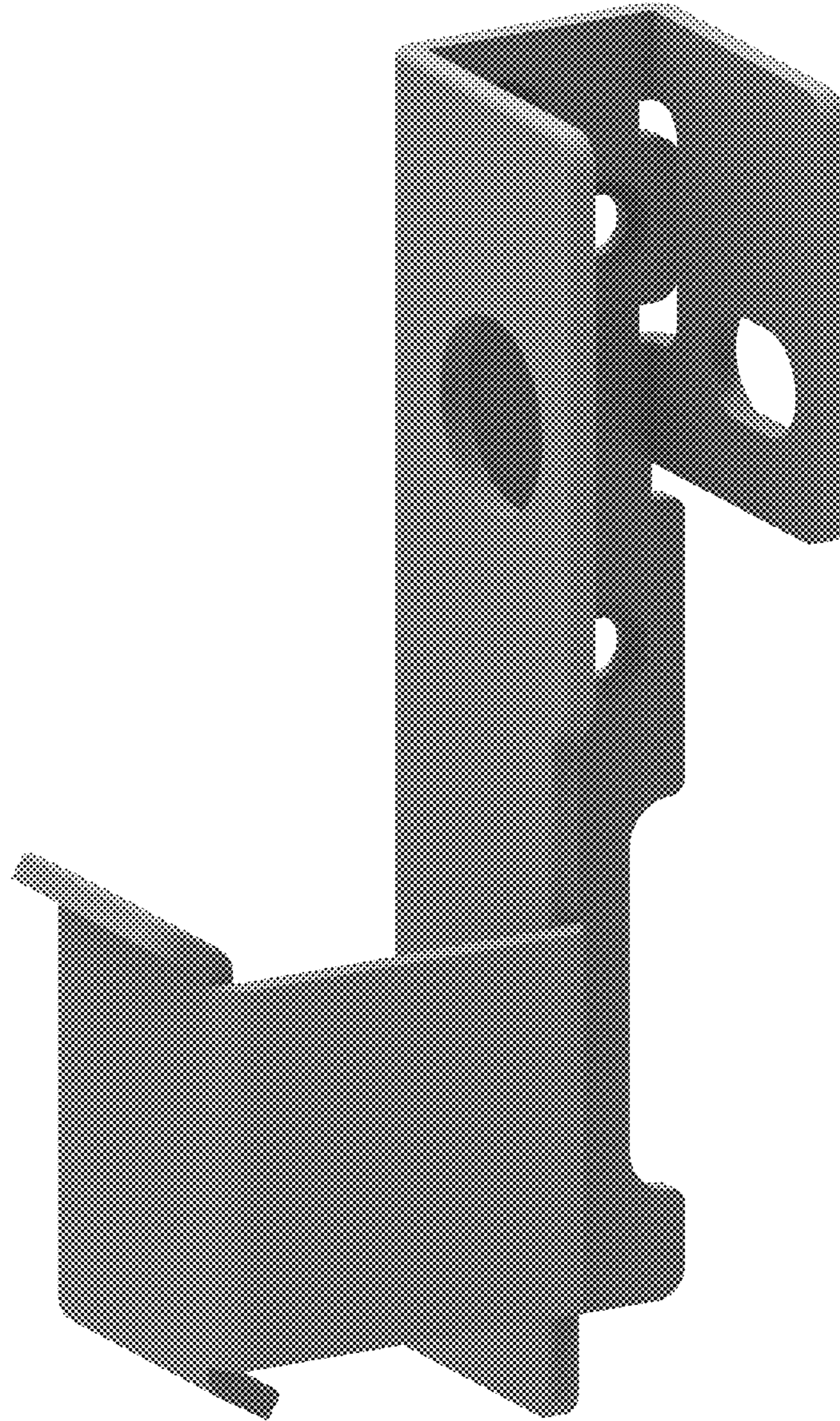


Fig. 1

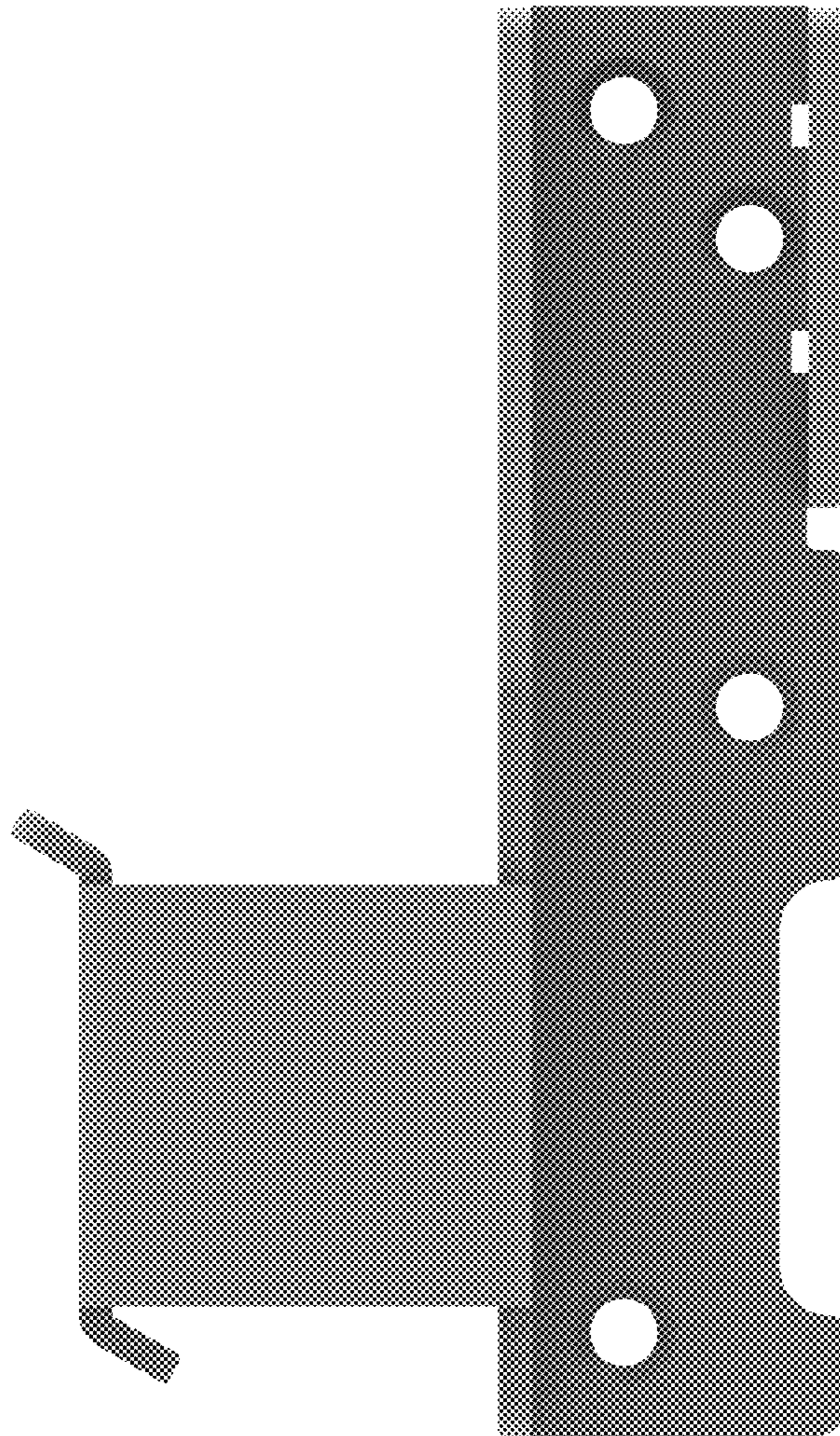


Fig. 2

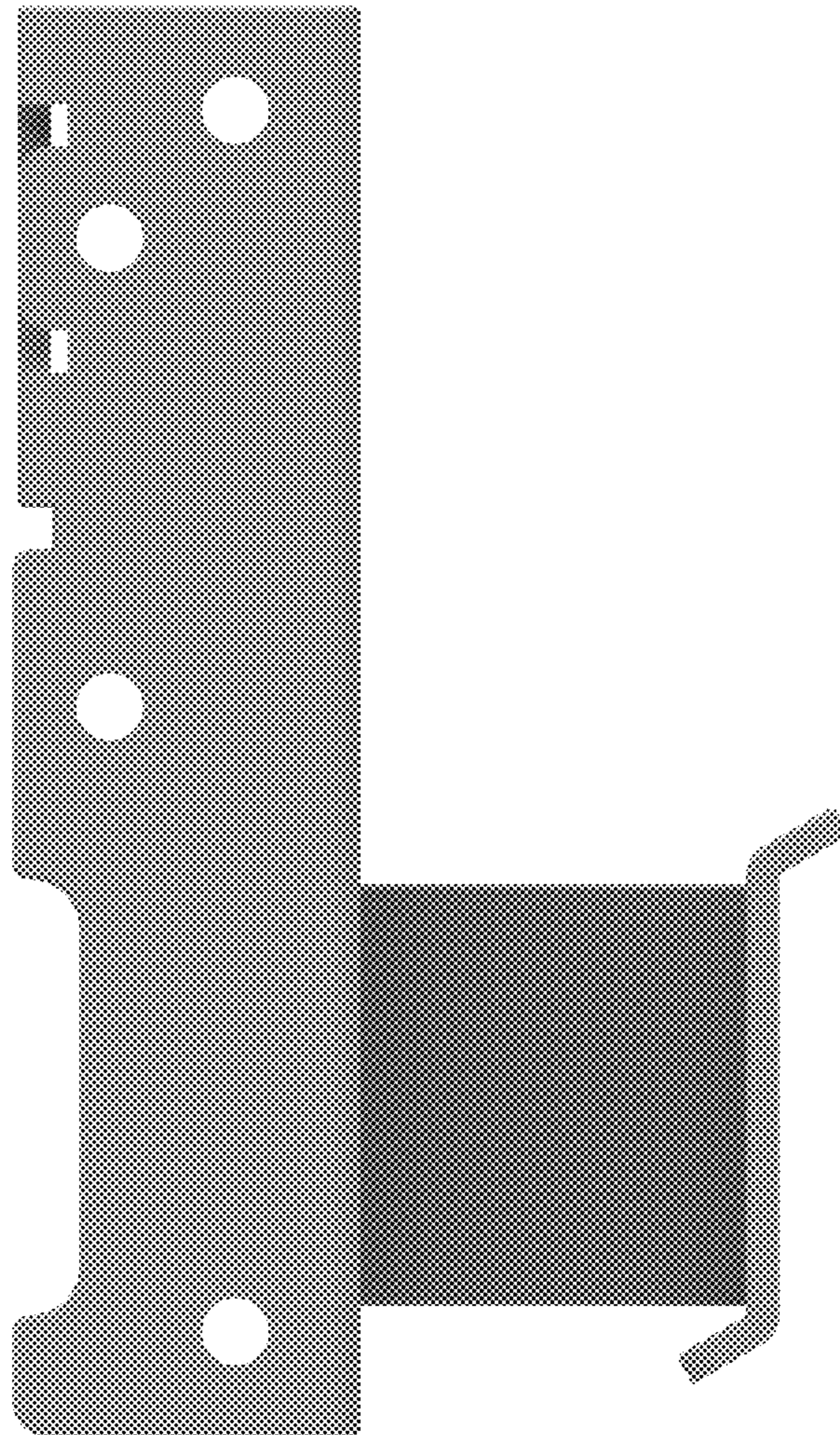


Fig. 3

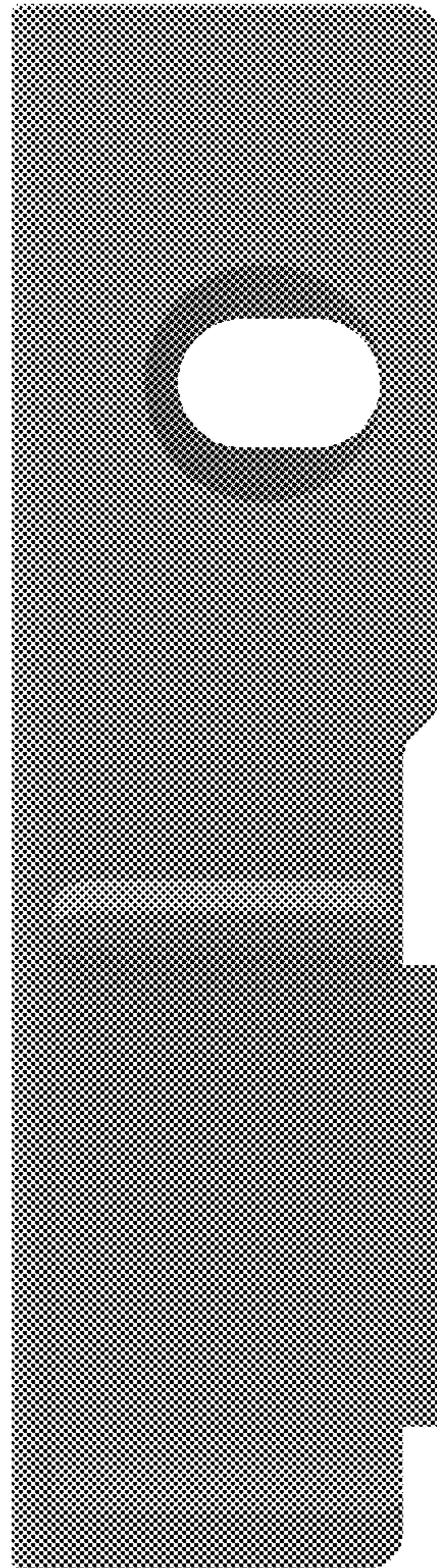


Fig. 4

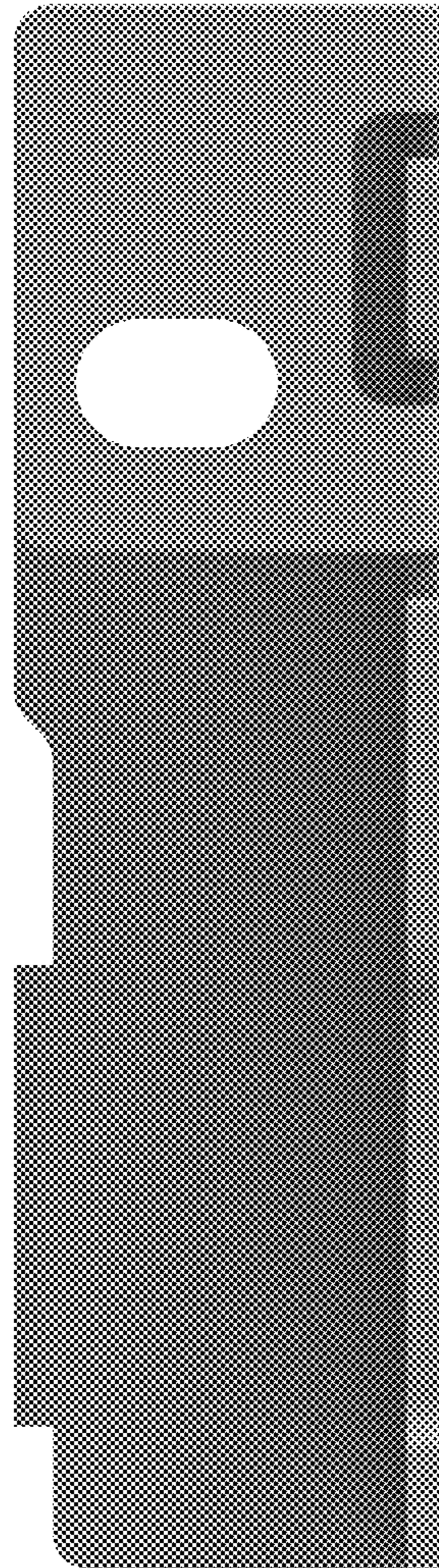


Fig. 5

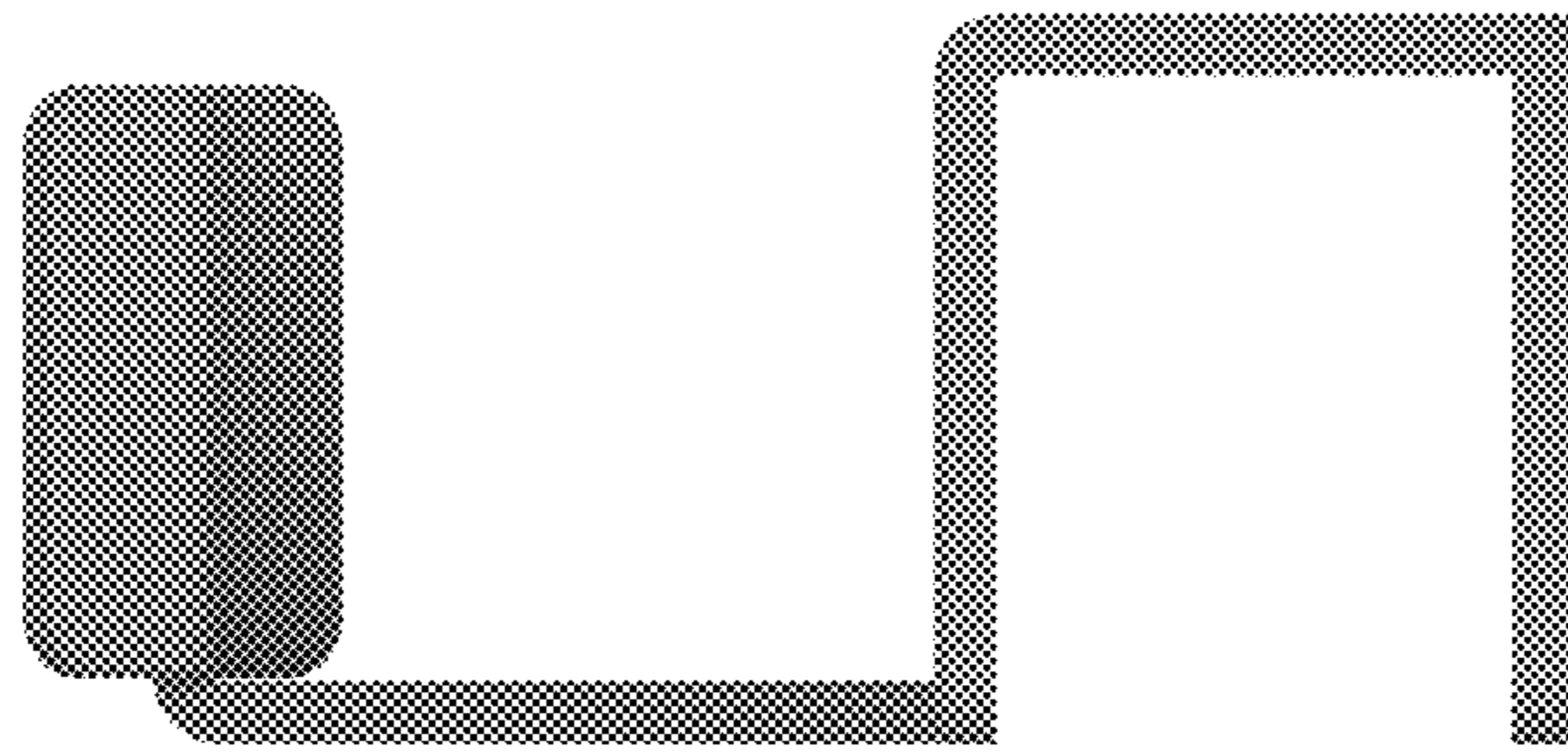


Fig. 6

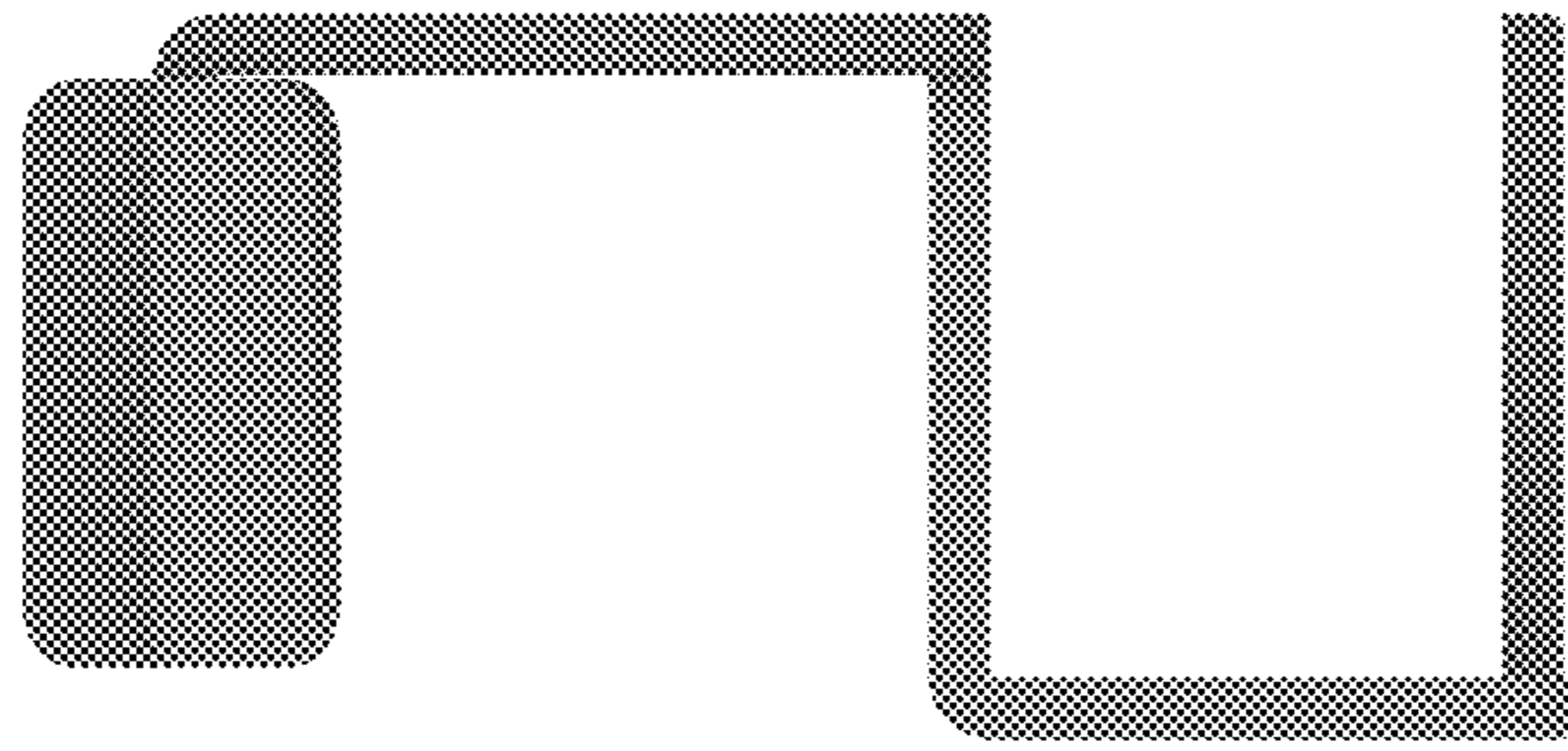


Fig.7