



US00D976076S

(12) **United States Design Patent** (10) **Patent No.:** **US D976,076 S**
Battles, Jr. et al. (45) **Date of Patent:** **** Jan. 24, 2023**

- (54) **DOOR HANDLE**
- (71) Applicant: **Thor Tech, Inc.**, Elkhart, IN (US)
- (72) Inventors: **Donald L. Battles, Jr.**, Goshen, IN (US); **Jeffrey M. Snyder**, White Pigeon, MI (US)
- (73) Assignee: **THOR TECH, INC.**, Elkhart, IN (US)
- (**) Term: **15 Years**
- (21) Appl. No.: **29/805,774**
- (22) Filed: **Aug. 30, 2021**
- (51) **LOC (14) Cl.** **08-06**
- (52) **U.S. Cl.**
USPC **D8/302**; D8/313; D8/306
- (58) **Field of Classification Search**
USPC D8/300-302, 306-309, 313-320;
D23/250, 252; D12/195
CPC E05B 85/18; E05B 85/16; E05B 85/10;
E05B 83/16; E05B 85/12; E05B 83/44;
E05B 13/10; E05B 17/2034; E05B 59/00;
E05B 7/00
See application file for complete search history.

(56) **References Cited**

U.S. PATENT DOCUMENTS

D183,429 S *	8/1958	Reynolds	D8/302
5,238,276 A *	8/1993	Burns	E05B 79/06 292/DIG. 31
5,499,851 A *	3/1996	Mitchell	E05B 79/06 292/DIG. 31
D419,421 S *	1/2000	Larsen	D8/306
6,427,502 B1 *	8/2002	Zagoroff	E05B 85/18 292/DIG. 31

6,543,821 B1 *	4/2003	Weinerman	E05B 13/105 292/26
D537,701 S *	3/2007	Houdek	D8/302
D578,370 S *	10/2008	Samhammer	D8/313
2003/0111849 A1 *	6/2003	Lee	E05B 85/18 292/336.3
2005/0160559 A1 *	7/2005	Hayashi	E05B 77/42 16/412
2008/0290671 A1 *	11/2008	Kagawa	E05B 85/18 292/336.3
2010/0154489 A1 *	6/2010	Bacon	E05B 59/00 70/77

* cited by examiner

Primary Examiner — Lauren R Calve

(74) *Attorney, Agent, or Firm* — Dinsmore & Shohl LLP

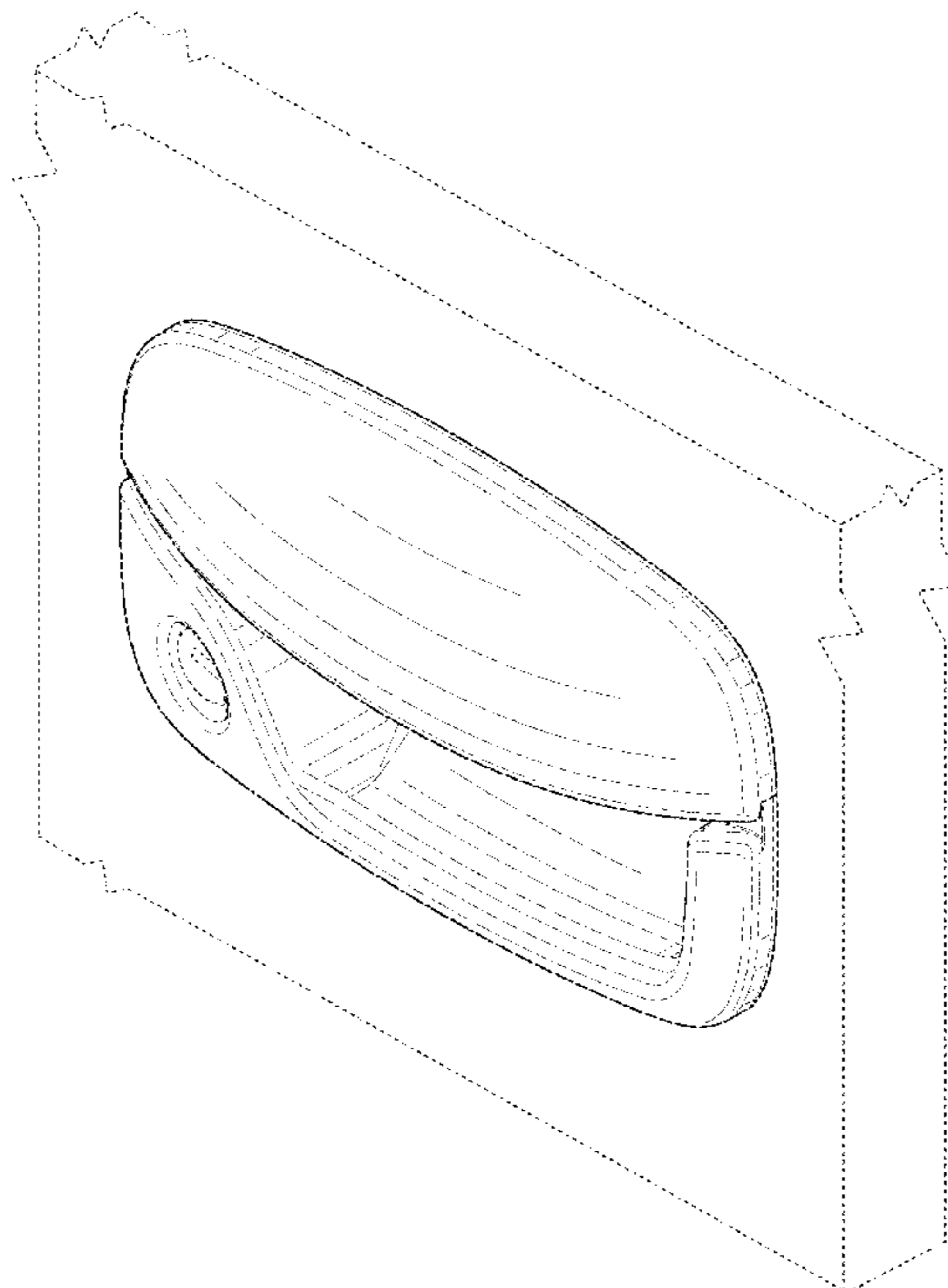
(57) **CLAIM**

The ornamental design for a door handle, as shown and described.

DESCRIPTION

FIG. 1 is a perspective view of a door handle in accordance with the present invention;
 FIG. 2 is a front view of the door handle of FIG. 1;
 FIG. 3 is a first side view of the door handle of FIGS. 1 and 2;
 FIG. 4 is a second opposite side view of the door handle of FIGS. 1-3;
 FIG. 5 is a rear view of the door handle of FIGS. 1-4;
 FIG. 6 is a top view of the door handle of FIGS. 1-5; and,
 FIG. 7 is a bottom view of the door handle of FIGS. 1-6.
 The broken lines are directed to environmental structure and unclaimed subject matter, and are for illustrative purposes only; the broken lines form no part of the claimed design.

1 Claim, 7 Drawing Sheets



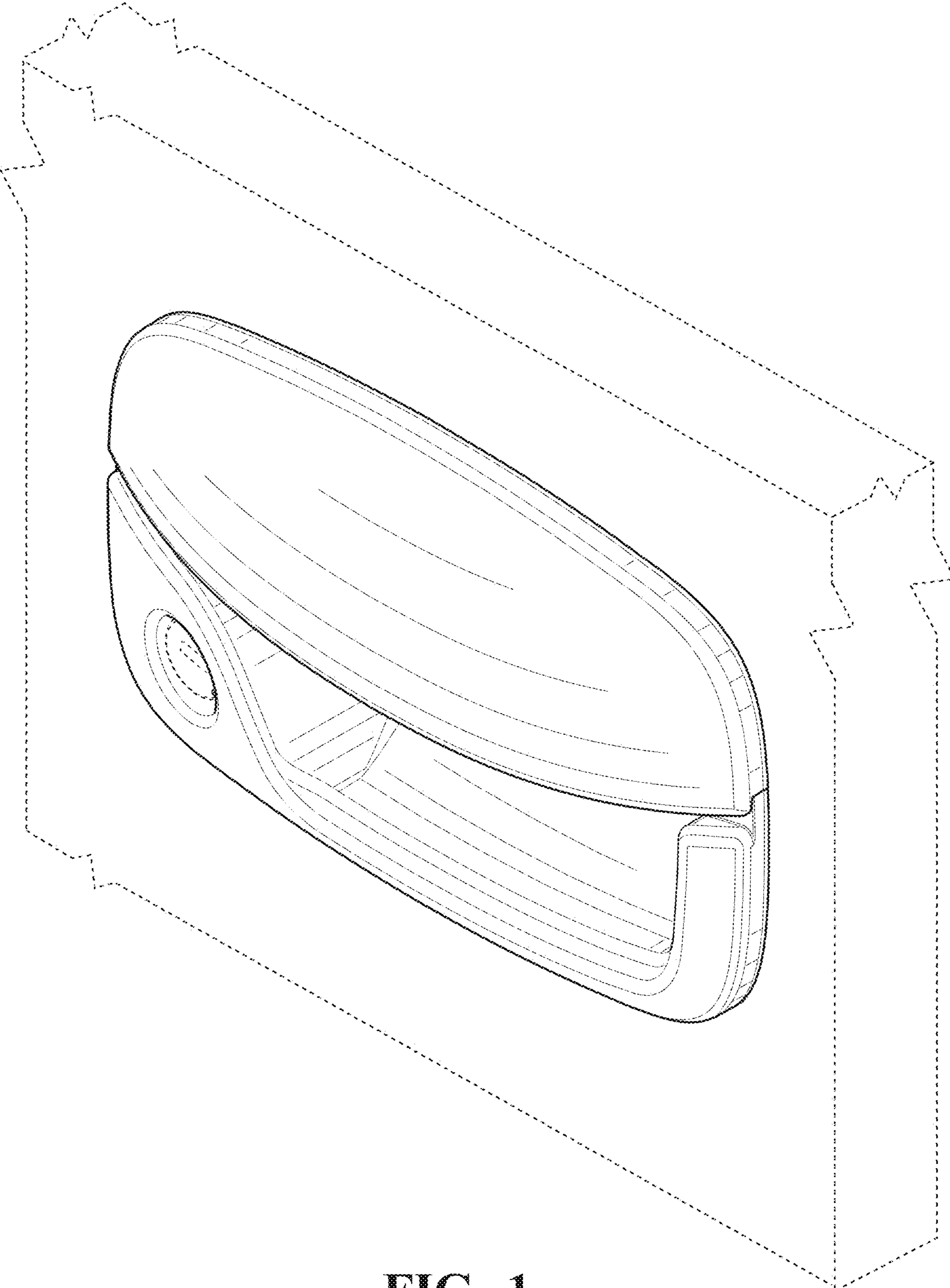


FIG. 1

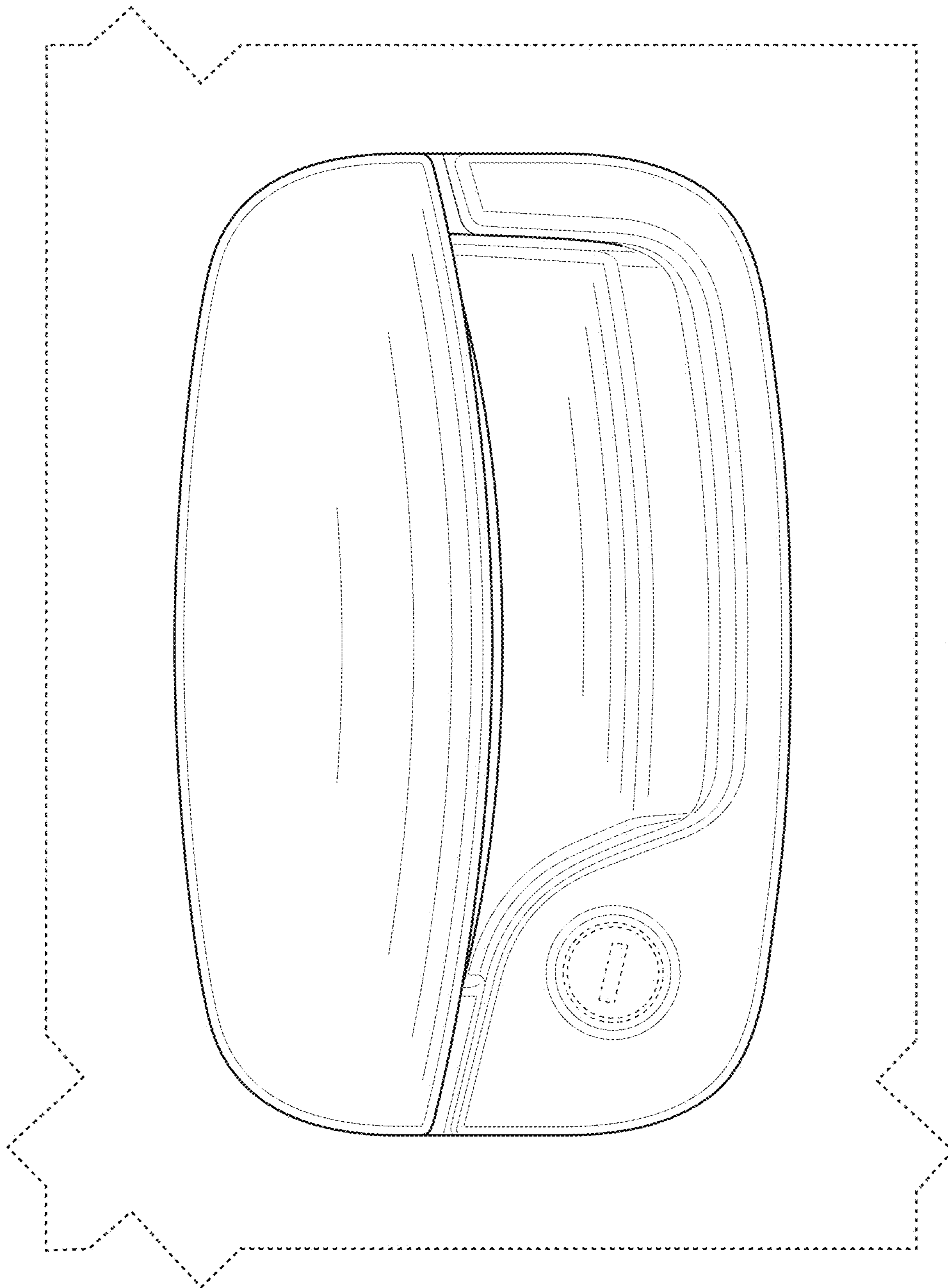


FIG. 2

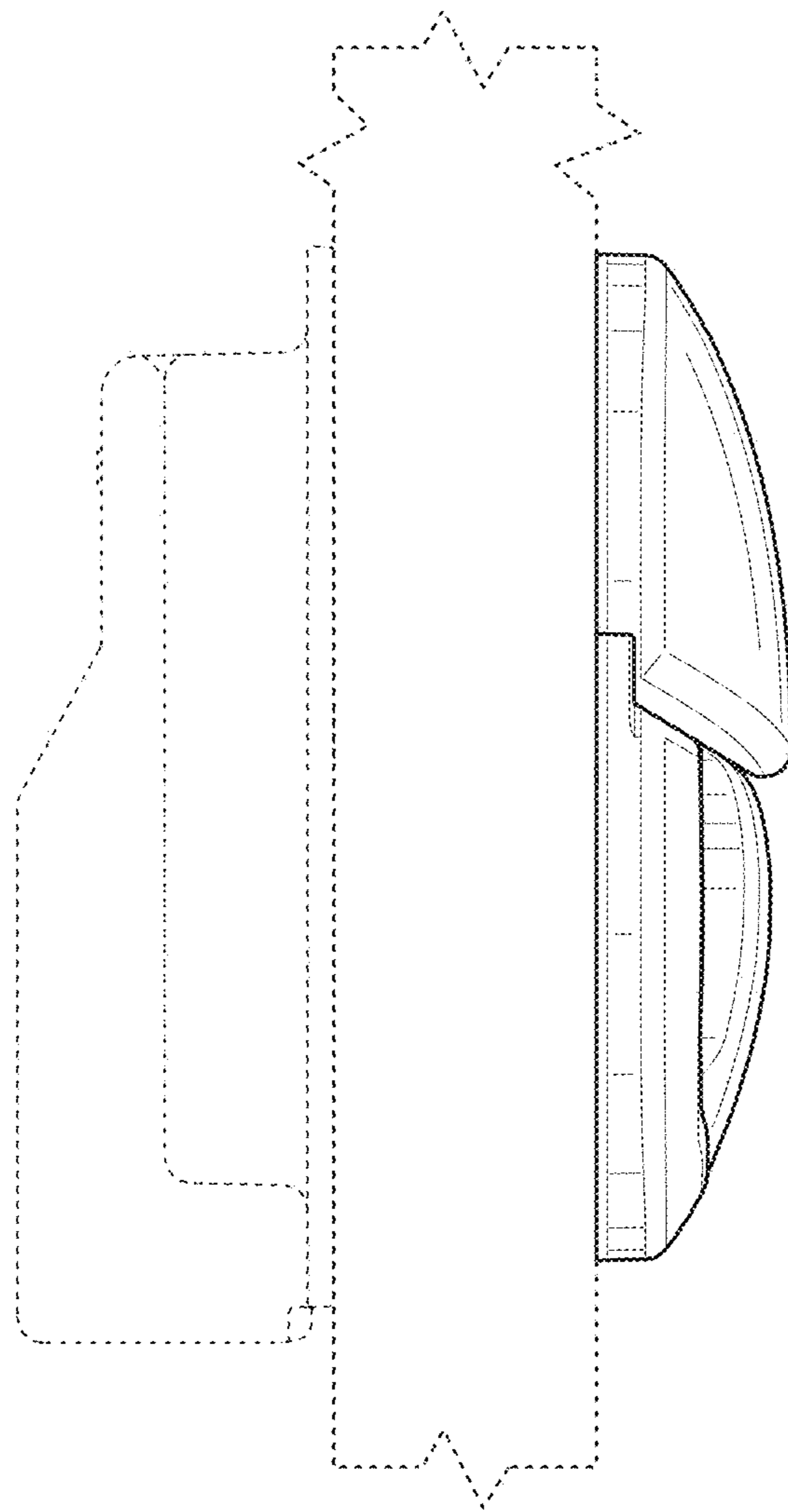


FIG. 3

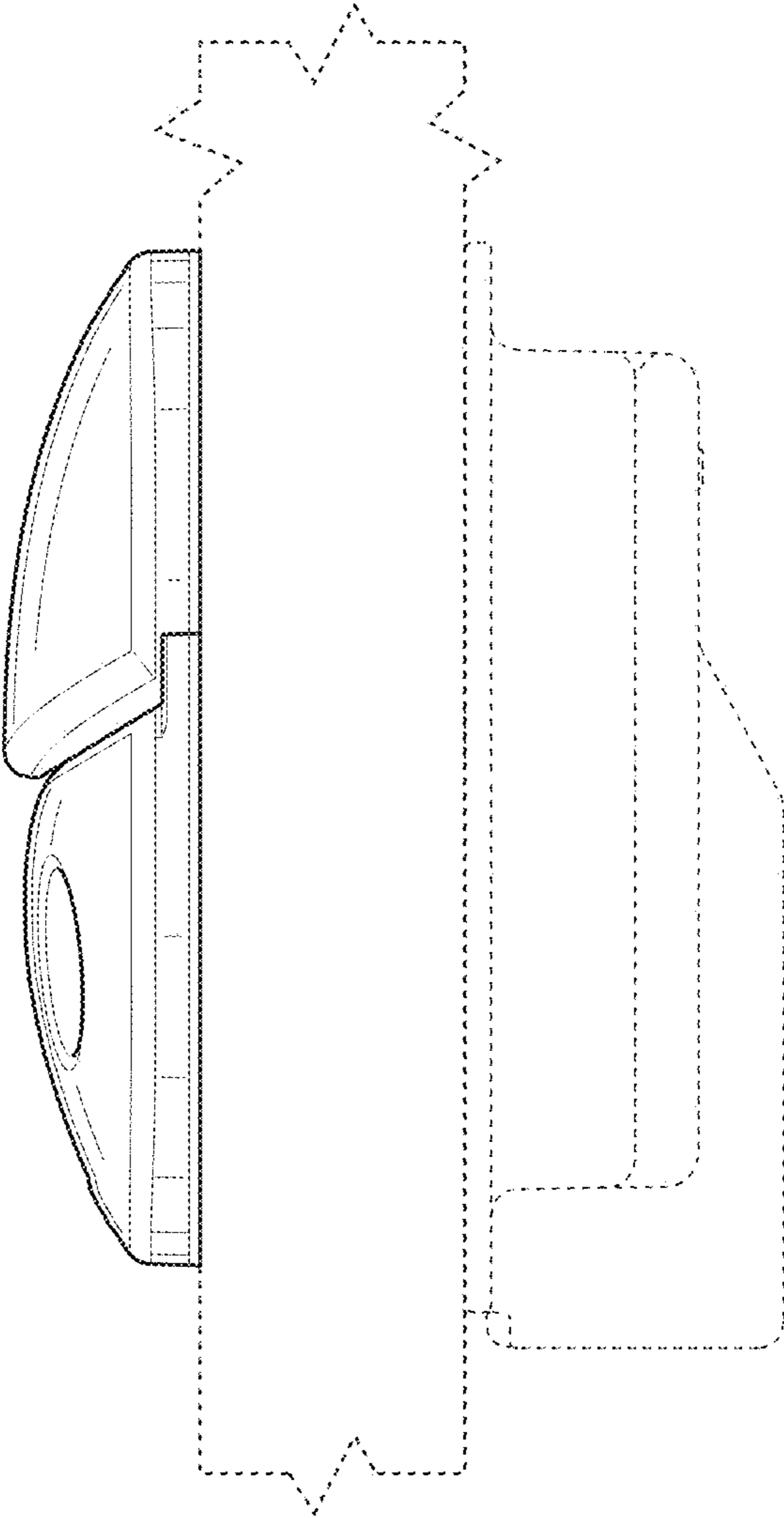


FIG. 4

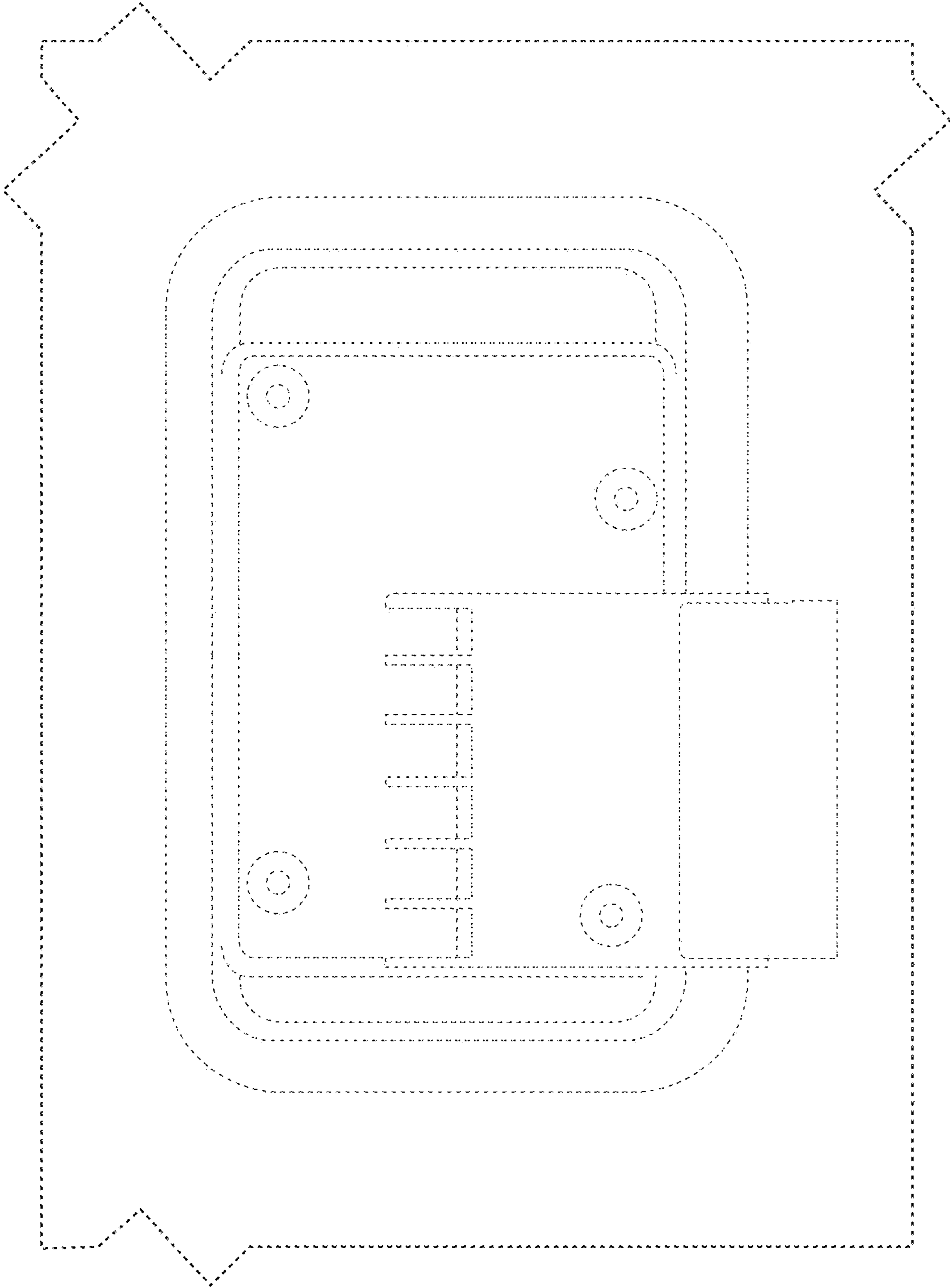


FIG. 5

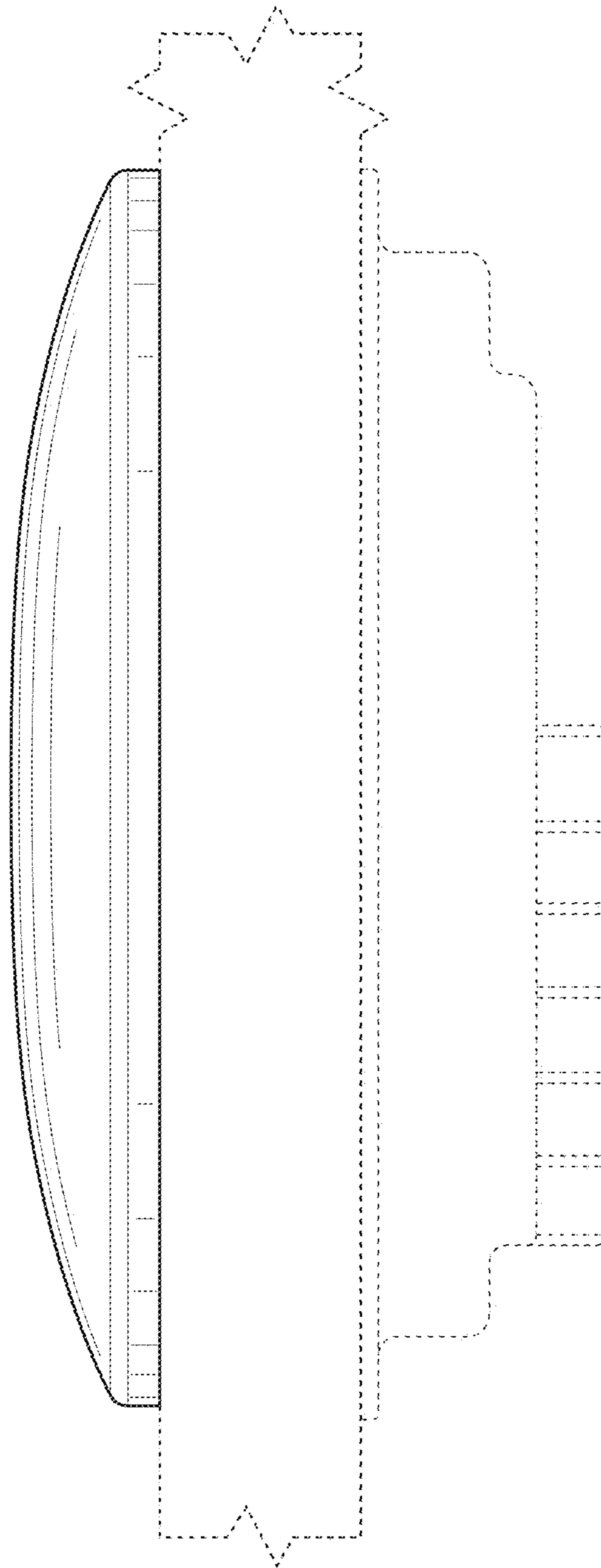


FIG. 6

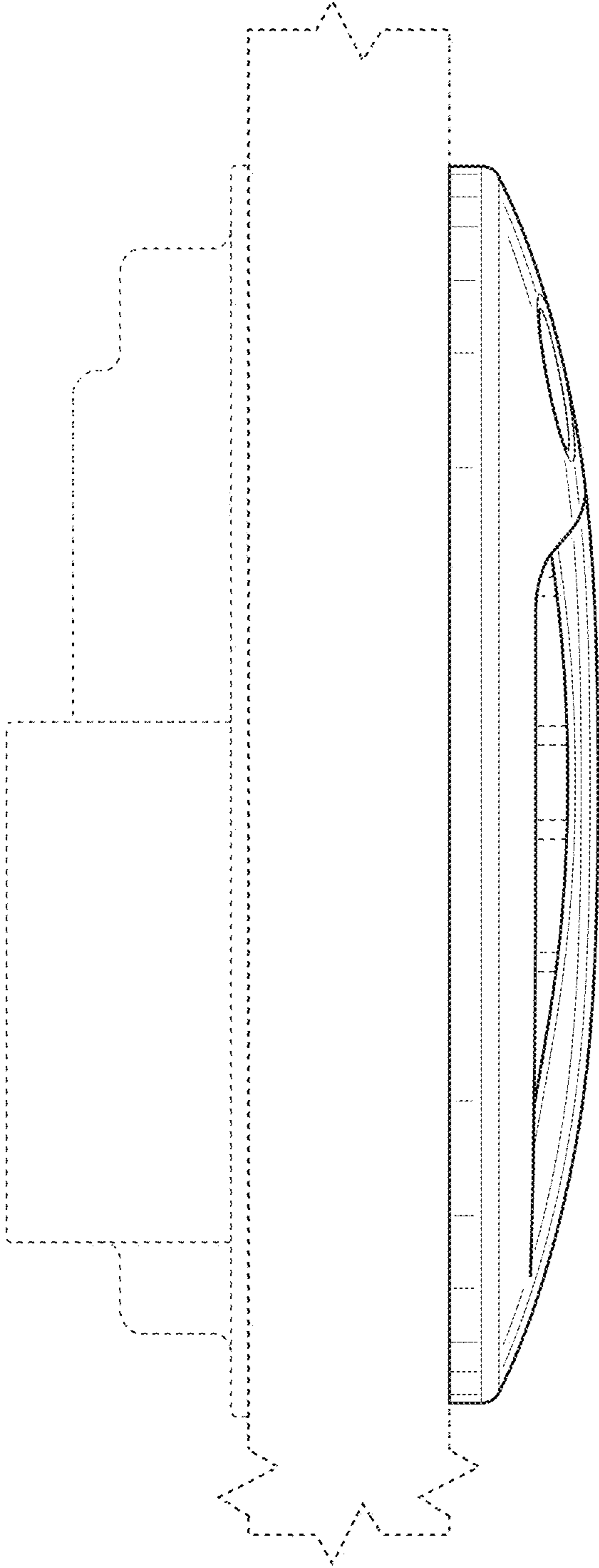


FIG. 7