



US00D976075S

(12) **United States Design Patent** (10) **Patent No.:** **US D976,075 S**
Baig et al. (45) **Date of Patent:** **** Jan. 24, 2023**

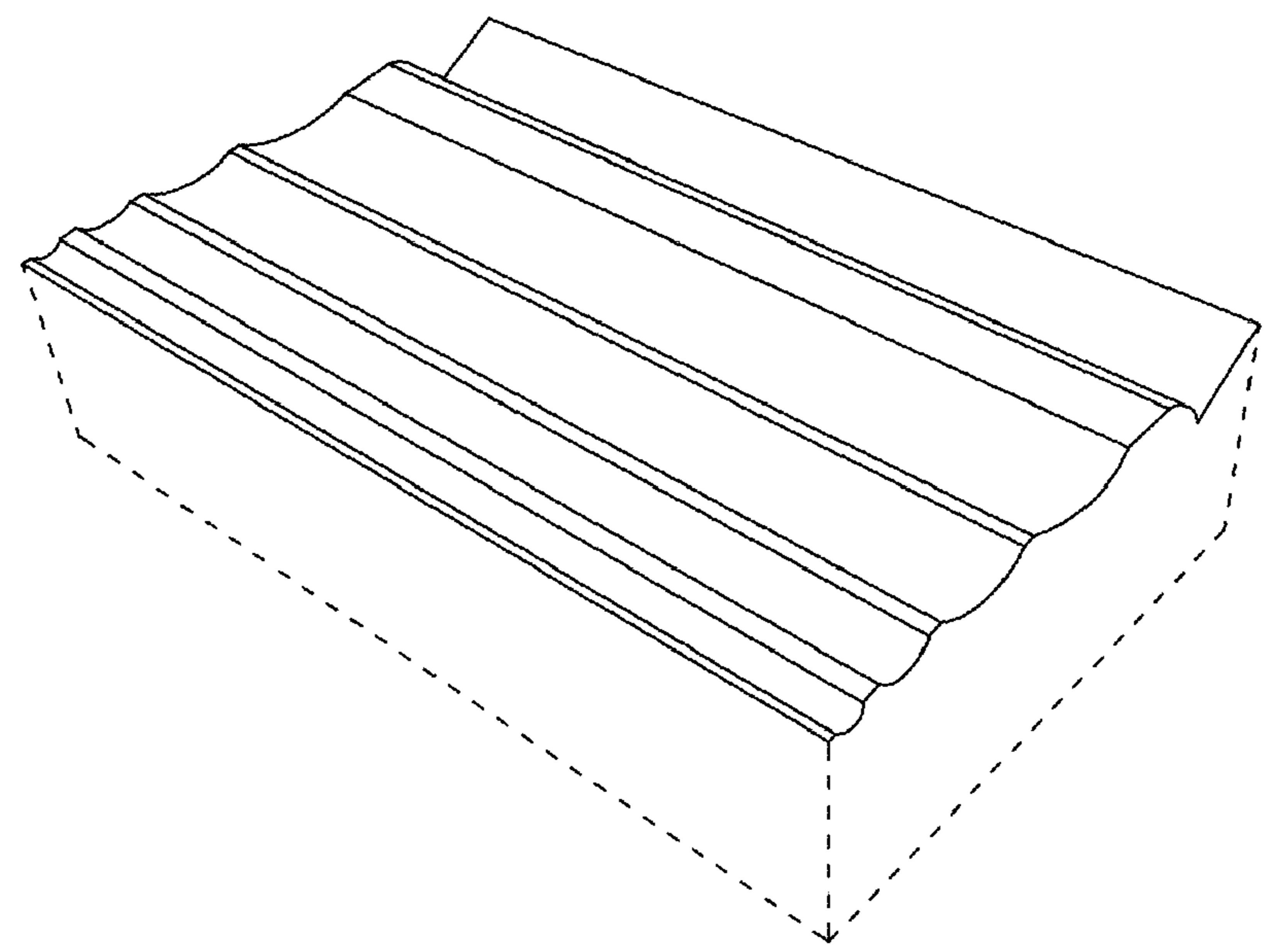
(54) **BLADED TOOL SHARPENER**
(71) Applicant: **Mighty Dreams LLC**, San Jose, CA (US)
(72) Inventors: **Salma Baig**, Fremont, CA (US); **Kadijah Siddiqui**, Fremont, CA (US)
(**) Term: **15 Years**
(21) Appl. No.: **29/768,806**
(22) Filed: **Feb. 1, 2021**
(51) **LOC (14) Cl.** **08-05**
(52) **U.S. Cl.**
USPC **D8/91**; D8/93
(58) **Field of Classification Search**
USPC D8/14, 90, 91, 92, 93; D25/119, 136
CPC B24B 3/54; B24B 3/36; B24B 3/58; B24B 3/00; B24B 23/08; B24B 41/066; B24D 15/00; B24D 15/06; B24D 15/063; B24D 15/08; B24D 15/081
See application file for complete search history.

(56) **References Cited**
U.S. PATENT DOCUMENTS
1,570,177 A * 1/1926 Pointer B24D 15/00 451/523
2,717,422 A * 9/1955 Rowe B24D 18/00 264/108
4,759,153 A * 7/1988 Cohen B24D 15/08 76/89.1
5,131,193 A * 7/1992 Demers B24D 15/023 451/523
D375,441 S * 11/1996 McCoy B24D 15/04 D8/93
D474,548 S * 5/2003 Glatz D25/136
D483,881 S * 12/2003 Glatz D25/136
D499,192 S * 11/2004 Glatz D25/136
(Continued)

Primary Examiner — Philip S Hyder
(74) *Attorney, Agent, or Firm* — Alexander Postnikov
(57) **CLAIM**
The ornamental design for a bladed tool sharpener, as shown and described.

DESCRIPTION
FIG. 1 is a front view of a bladed tool sharpener in accordance with the present invention;
FIG. 2 is a left side view of the bladed tool sharpener in accordance with the present invention;
FIG. 3 is a rear view of the bladed tool sharpener in accordance with the present invention;
FIG. 4 is a right side view of the bladed tool sharpener in accordance with the present invention;
FIG. 5 is a front view of the bladed tool sharpener in accordance with the present invention;
FIG. 6 is a front view of the bladed tool sharpener in accordance with the present invention;
FIG. 7 is a front view of the bladed tool sharpener in accordance with the present invention;
FIG. 8 is a front view of the bladed tool sharpener in accordance with the present invention;
FIG. 9 is a top down view of the bladed tool sharpener in accordance with the present invention;
FIG. 10 is a bottom up view of the bladed tool sharpener in accordance with the present invention;
FIG. 11 is a top front perspective view of the bladed tool sharpener in accordance with the present invention;
FIG. 12 is a top rear perspective view of the bladed tool sharpener in accordance with the present invention;
FIG. 13 is a bottom front perspective view of the bladed tool sharpener in accordance with the present invention; and,
FIG. 14 is a bottom rear perspective view of the bladed tool sharpener in accordance with the present invention.
The broken lines are included for the purpose of illustrating portions of the bladed tool sharpener that form no part of the claimed design. None of the broken lines form a part of the claimed design.

1 Claim, 5 Drawing Sheets



(56)

References Cited

U.S. PATENT DOCUMENTS

D500,149	S	*	12/2004	Glatz	D25/136
D500,371	S	*	12/2004	Glatz	D25/136
D500,869	S	*	1/2005	Glatz	D25/136
D620,137	S	*	7/2010	Vaes	D25/136
D620,138	S	*	7/2010	Vaes	D25/136
D620,140	S	*	7/2010	Vaes	D25/136
D620,141	S	*	7/2010	Vaes	D25/136
D620,142	S	*	7/2010	Vaes	D25/136
D620,143	S	*	7/2010	Vaes	D25/136
D621,966	S	*	8/2010	Vaes	D25/136
D623,771	S	*	9/2010	Vaes	D25/136
D623,772	S	*	9/2010	Vaes	D25/136
D666,326	S	*	8/2012	Sims	D25/136
D720,474	S	*	12/2014	Gori	D25/136
9,512,624	B2	*	12/2016	Owens	B24D 15/04
D781,456	S	*	3/2017	Williams	D25/119
D782,072	S	*	3/2017	Williams	D25/119
D782,705	S	*	3/2017	Williams	D25/119
2004/0033770	A1	*	2/2004	Tchernov	B29C 73/26 451/523
2007/0099551	A1	*	5/2007	Walsh	B24D 15/04 451/523
2012/0122379	A1	*	5/2012	McDonell	B24D 15/023 451/442
2018/0281155	A1	*	10/2018	Dow	B24D 15/04

* cited by examiner

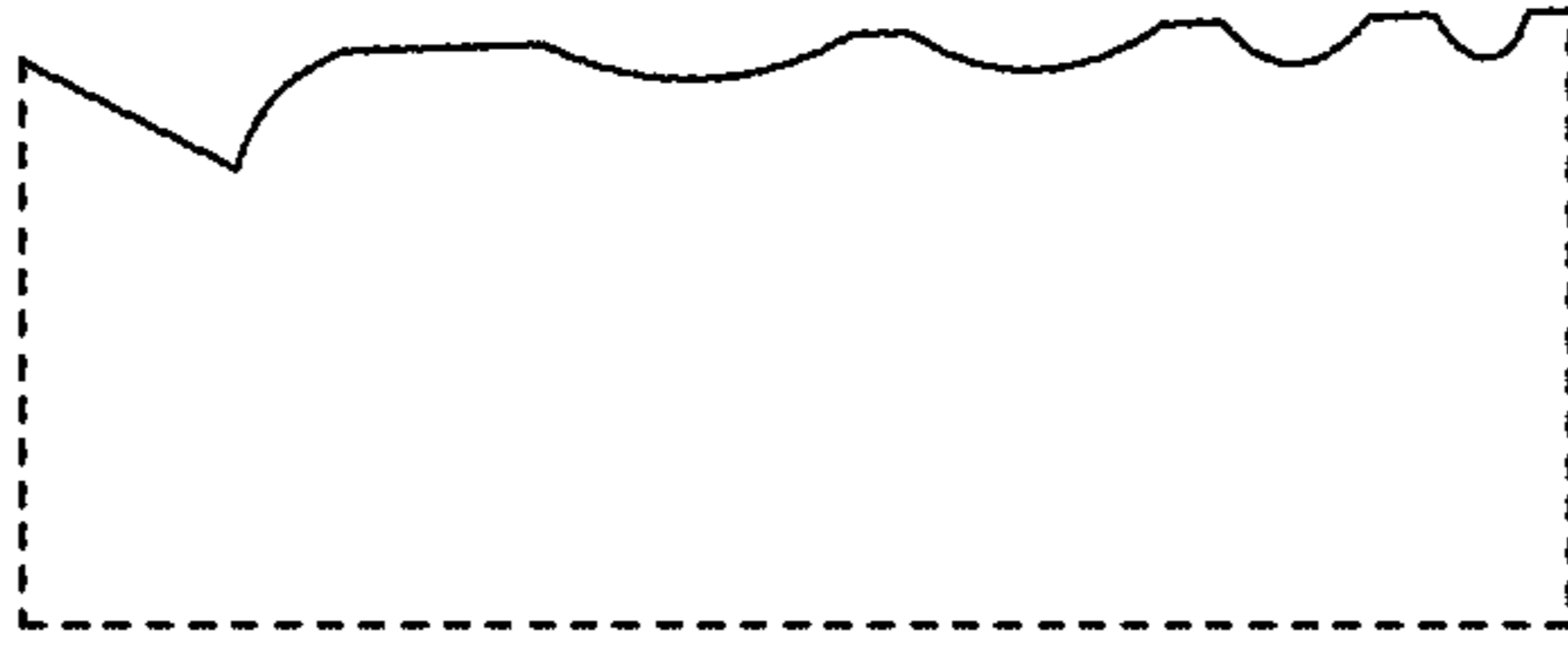


FIG. 1



FIG. 2



FIG. 3



FIG. 4

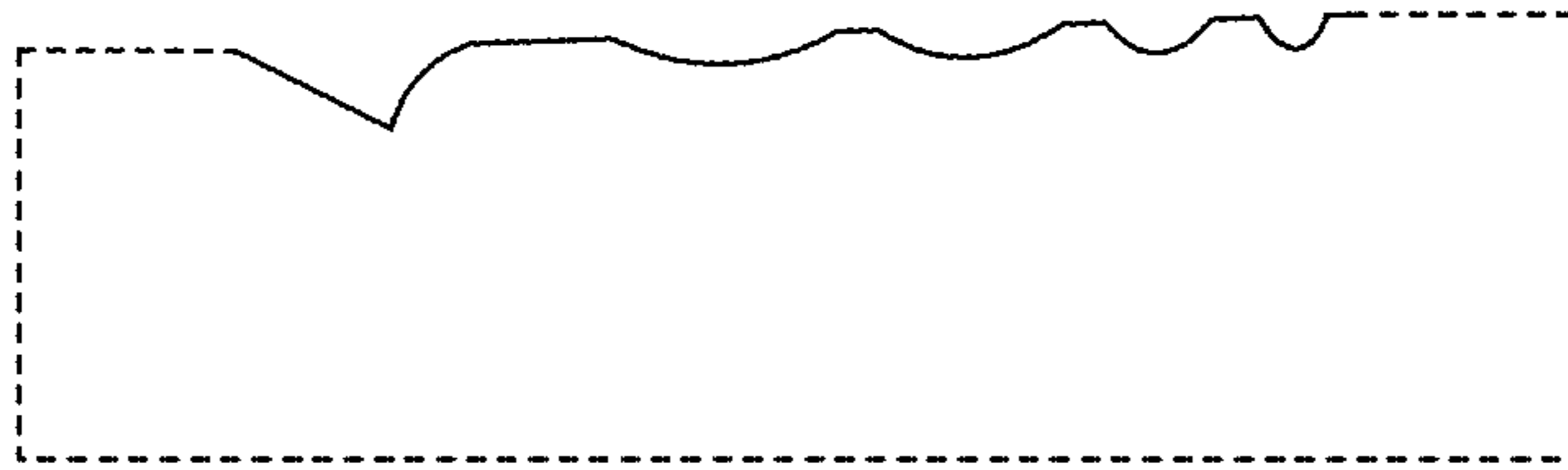


FIG. 5

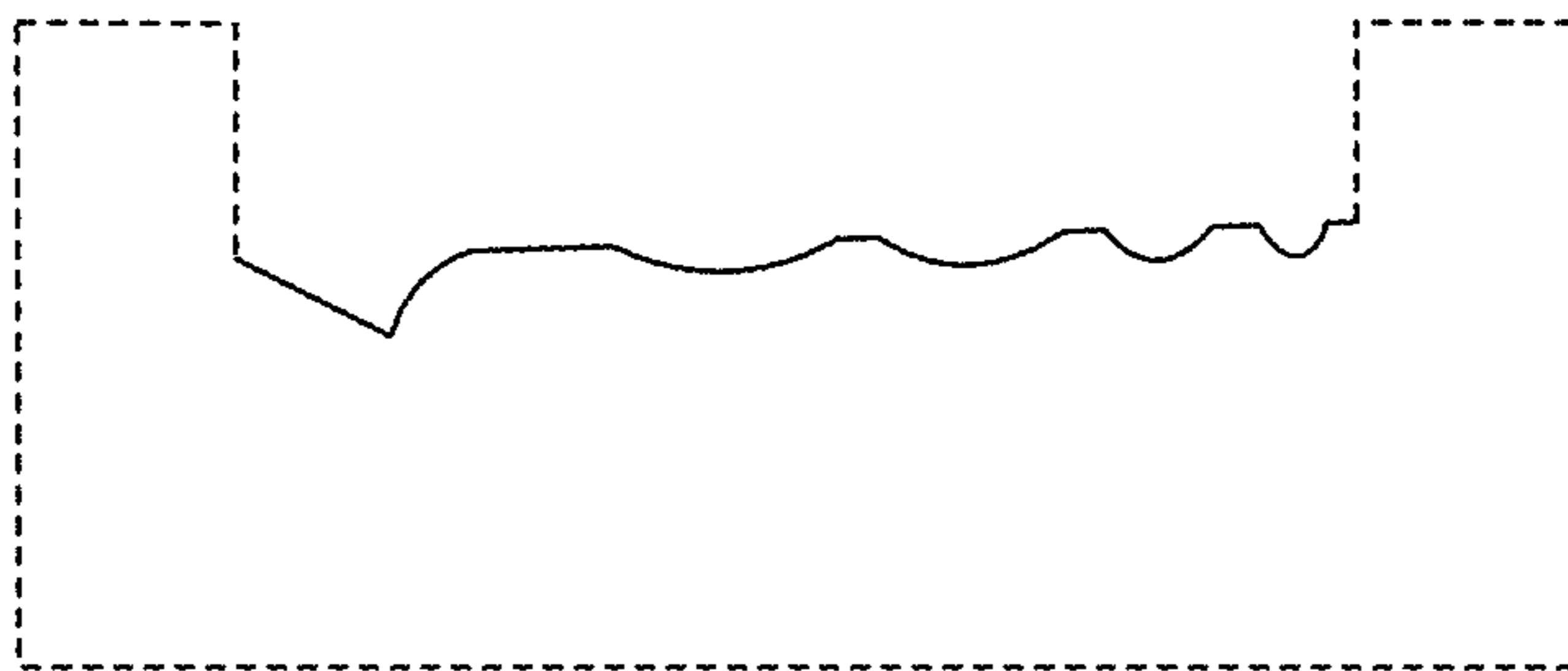


FIG. 6

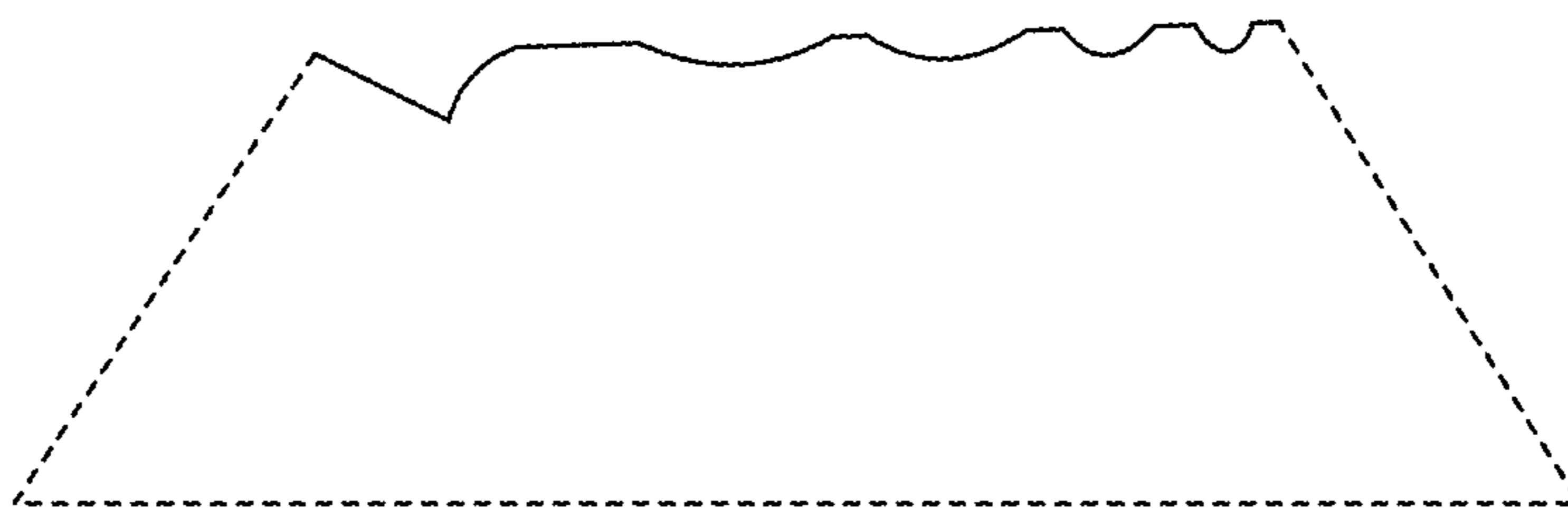


FIG. 7



FIG. 8



FIG. 10

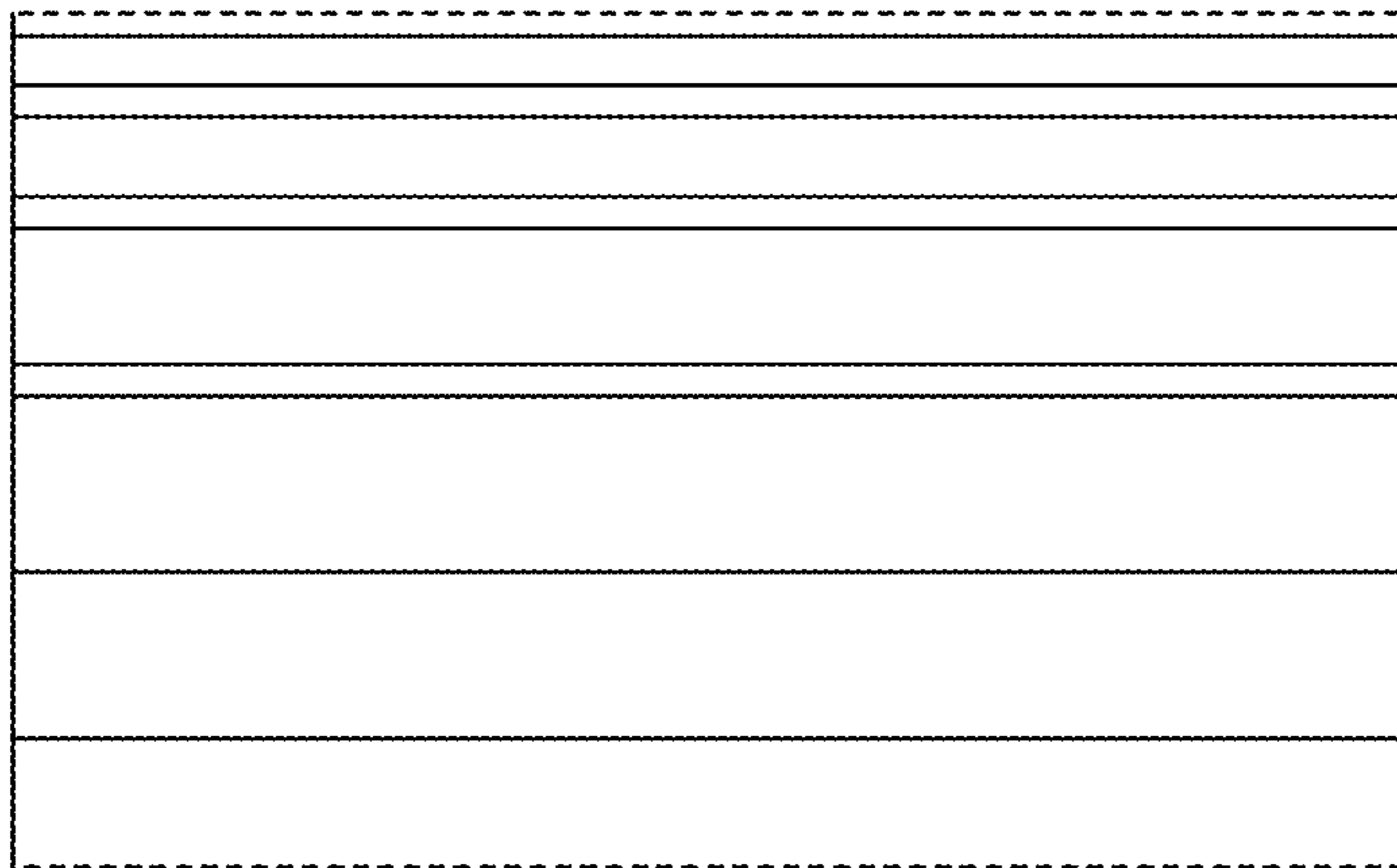


FIG. 9

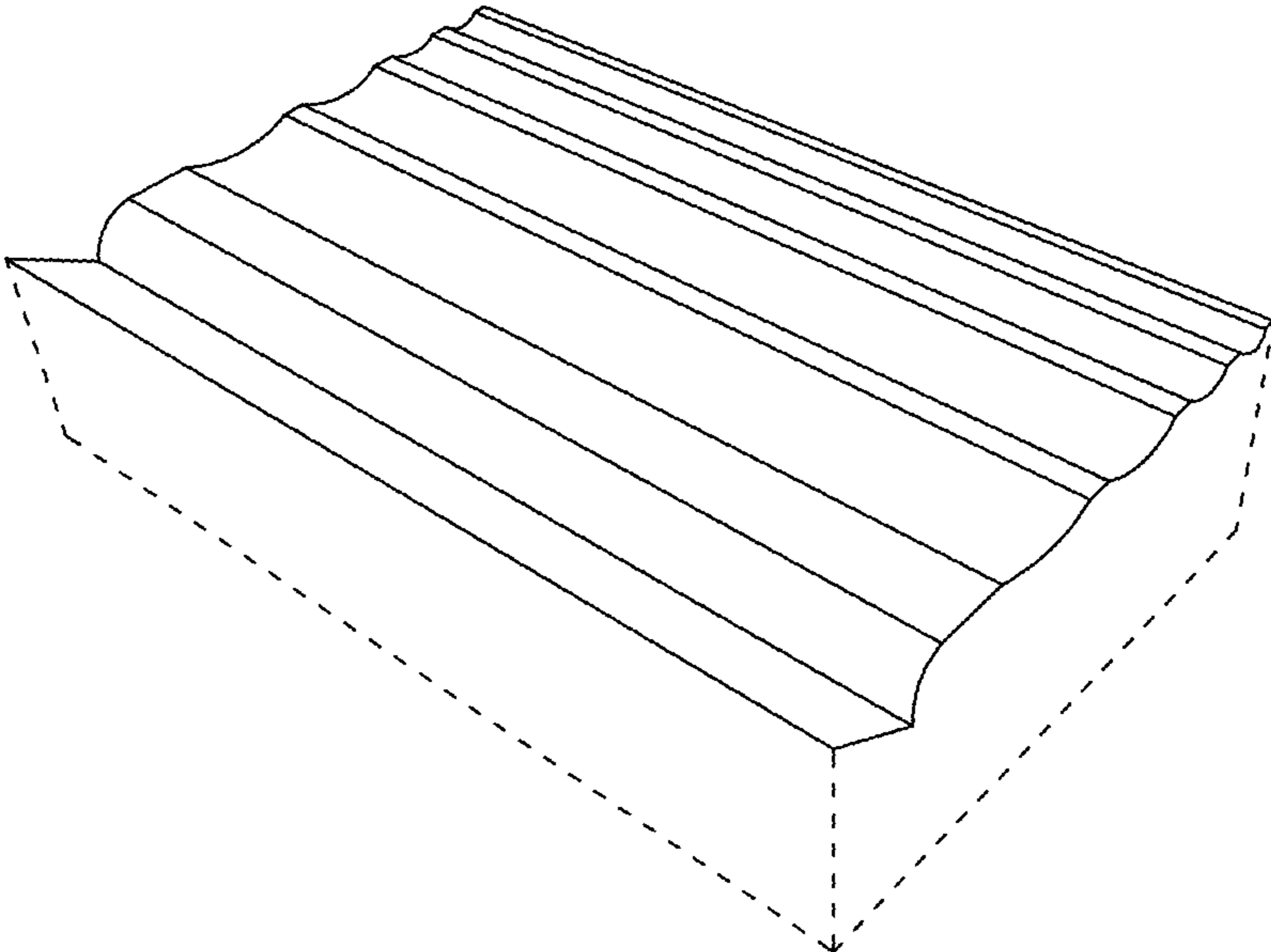


FIG. 11

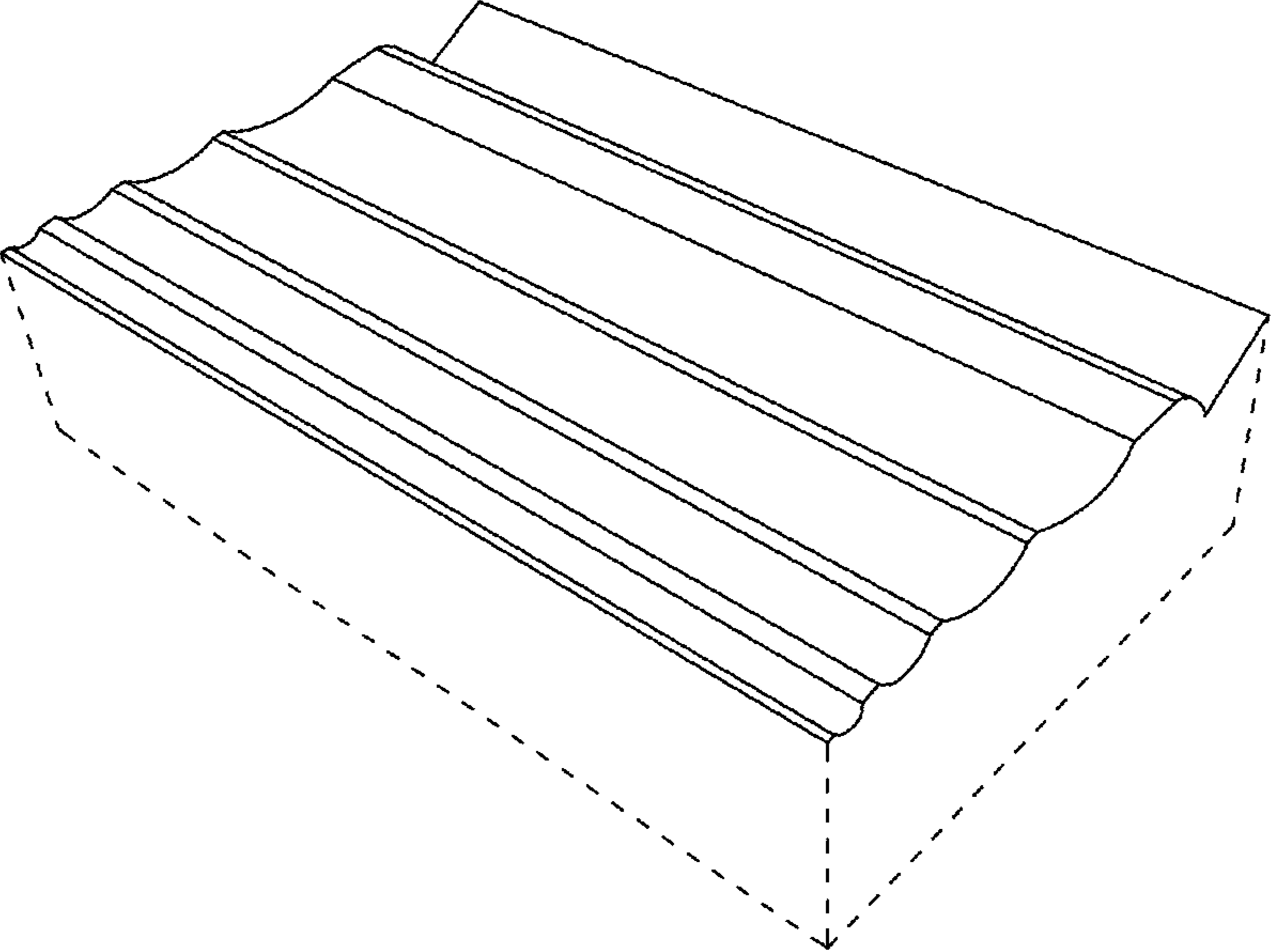


FIG. 12

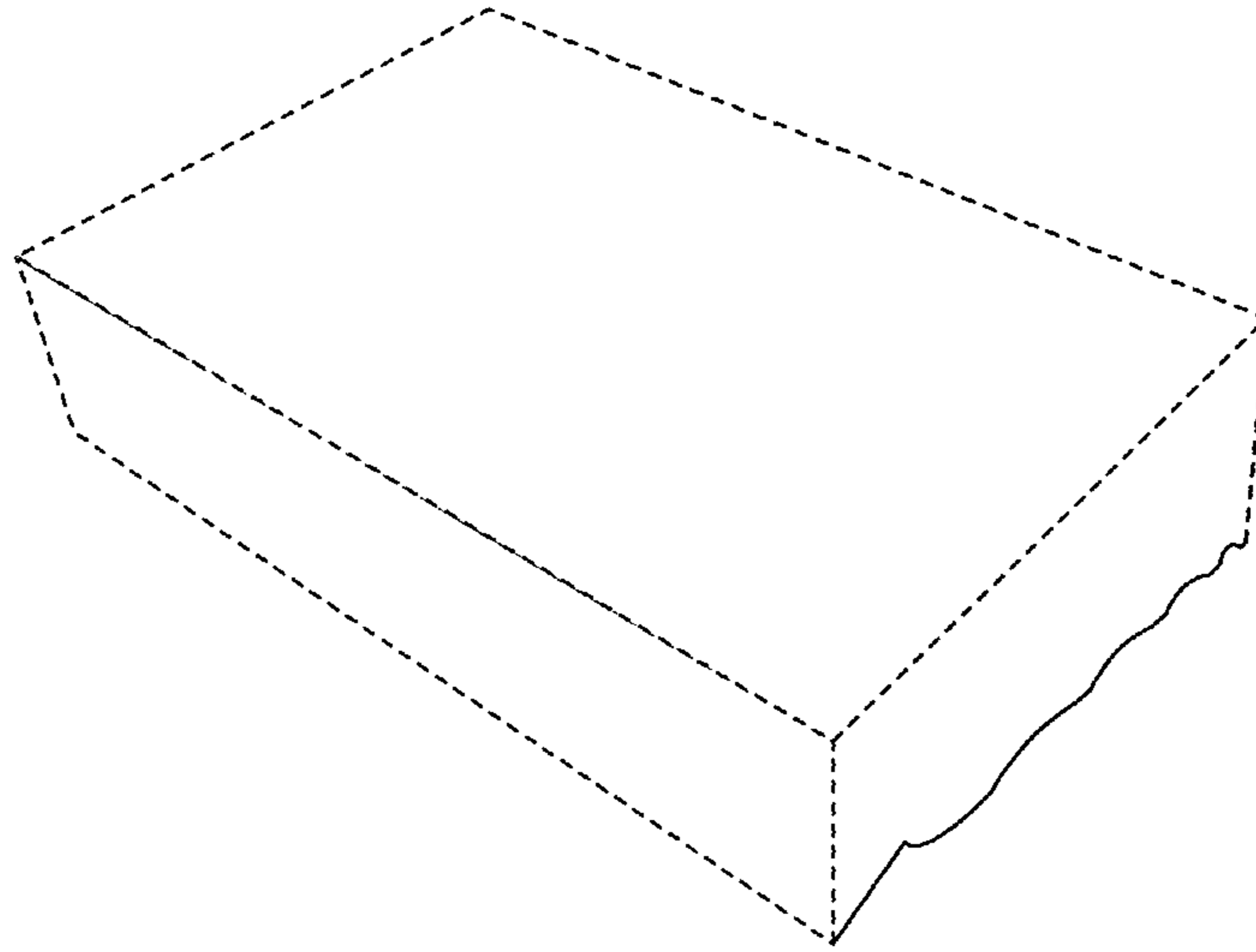


FIG. 13

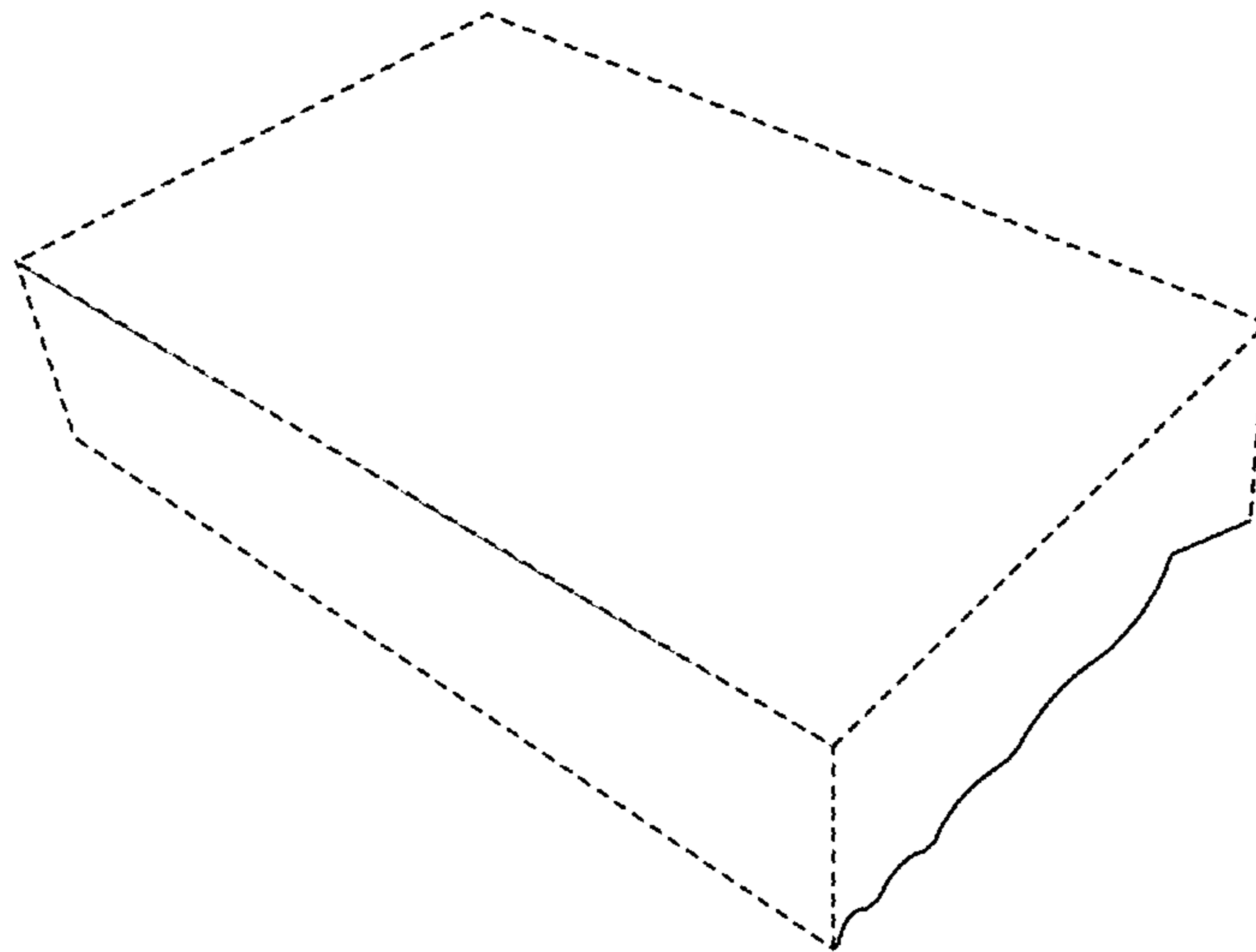


FIG. 14