



US00D976074S

(12) **United States Design Patent**  
**Cyborski et al.**

(10) **Patent No.:** **US D976,074 S**  
(45) **Date of Patent:** **\*\* Jan. 24, 2023**

(54) **RATCHET HOUSING**

(71) Applicant: **Snap-on Incorporated**, Kenosha, WI (US)

(72) Inventors: **David A. Cyborski**, Kenosha, WI (US);  
**Bryan J. Kordus**, Kenosha, WI (US);  
**Joshua M. Beer**, Kenosha, WI (US)

(73) Assignee: **Snap-on Incorporated**, Kenosha, WI (US)

(\*\*) Term: **15 Years**

(21) Appl. No.: **29/774,212**

(22) Filed: **Mar. 15, 2021**

(51) **LOC (14) Cl.** ..... **08-05**

(52) **U.S. Cl.**  
USPC ..... **D8/61; D8/25; D8/107**

(58) **Field of Classification Search**  
USPC ..... D8/14, 21, 24-27, 29, 51, 59, 107, 61,  
D8/66, 70; D24/133, 147; 81/57.13,  
81/57.39, 60

(Continued)

(56) **References Cited**

**U.S. PATENT DOCUMENTS**

D111,026 S \* 8/1938 Hosford ..... D8/DIG. 8  
4,184,552 A \* 1/1980 Anderson ..... B25B 21/02  
173/93.5

(Continued)

**OTHER PUBLICATIONS**

"3/8" Cordless Ratchet Wrench Set, Prostormer 12V Electric Ratchet-Tool Kit"; amazon.com; Nov. 30, 2019; accessed Apr. 12, 2022; URL:< <https://www.amazon.com/dp/B07X6D66Q4> > (Year: 2019).\*

(Continued)

*Primary Examiner* — Rachel A. Voorhies  
*Assistant Examiner* — Benjamin D. Wannemacher  
(74) *Attorney, Agent, or Firm* — Seyfarth Shaw LLP

(57) **CLAIM**

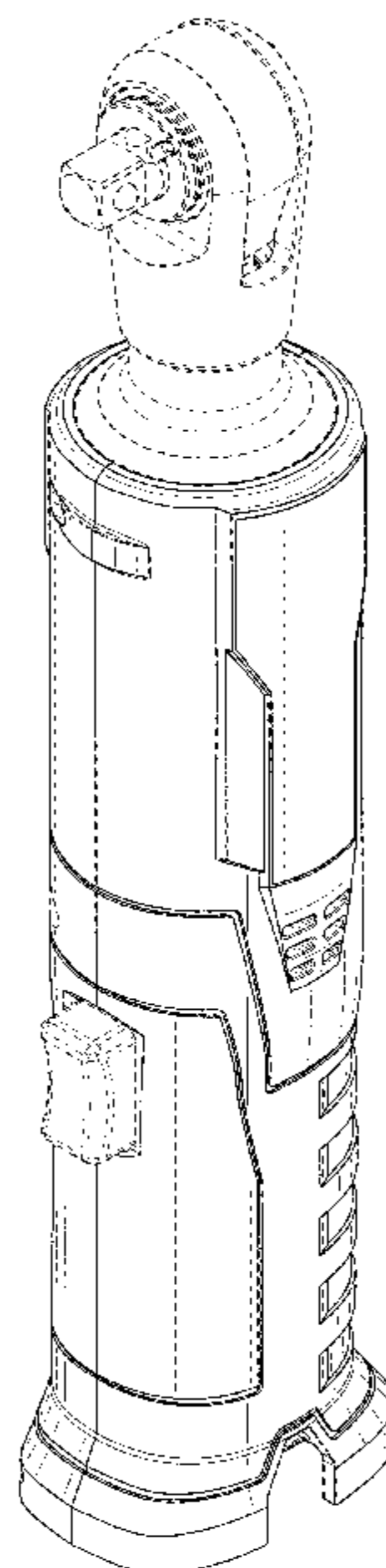
The ornamental design for a ratchet housing, as shown and described.

**DESCRIPTION**

FIG. 1 is a perspective view of a ratchet housing, according to an embodiment of the invention;  
FIG. 2 is a first side view of the ratchet housing of FIG. 1;  
FIG. 3 is a second side view of the ratchet housing of FIG. 1;  
FIG. 4 is a third side view of the ratchet housing of FIG. 1;  
FIG. 5 is a fourth side view of the ratchet housing of FIG. 1;  
FIG. 6 is a first end view of the ratchet housing of FIG. 1;  
FIG. 7 is a second end view of the ratchet housing of FIG. 1;  
FIG. 8 is a perspective view of a ratchet housing, according to an embodiment of the invention;  
FIG. 9 is a first side view of the ratchet housing of FIG. 8;  
FIG. 10 is a second side view of the ratchet housing of FIG. 8;  
FIG. 11 is a third side view of the ratchet housing of FIG. 8;  
FIG. 12 is a fourth side view of the ratchet housing of FIG. 8;  
FIG. 13 is a first end view of the ratchet housing of FIG. 8; and,  
FIG. 14 is a second end view of the ratchet housing of FIG. 8.

Any components in the appended drawings shown in broken lines are for illustrative purposes only and form no part of the claimed design or a specified embodiment thereof.

**1 Claim, 12 Drawing Sheets**



(58) **Field of Classification Search**  
 CPC ..... B25B 21/004; B25B 13/46; B25B 13/463  
 See application file for complete search history.

(56) **References Cited**

U.S. PATENT DOCUMENTS

D289,135 S \* 4/1987 Doman ..... D8/25  
 D305,975 S \* 2/1990 Emmerling ..... D4/199  
 D316,216 S \* 4/1991 Gierke ..... D8/61  
 D323,603 S \* 2/1992 Fu ..... D8/61  
 D334,124 S \* 3/1993 Izumisawa ..... D8/61  
 D334,125 S \* 3/1993 Izumisawa ..... D8/61  
 5,231,901 A \* 8/1993 Putney ..... B25B 21/004  
 81/57.39  
 5,251,706 A \* 10/1993 Evans ..... B25B 21/004  
 173/217  
 D352,645 S \* 11/1994 Ichikawa ..... B25B 23/147  
 D8/61  
 D376,303 S \* 12/1996 Nagel ..... D8/61  
 D380,131 S \* 6/1997 Sung ..... B25F 5/02  
 D8/25  
 D380,949 S \* 7/1997 Sung ..... B25B 21/004  
 D8/25  
 D387,960 S \* 12/1997 Sung ..... B25B 13/462  
 D8/25  
 D389,025 S \* 1/1998 Sung ..... B25B 21/026  
 D8/25  
 5,992,540 A \* 11/1999 Smolinski ..... F01C 13/02  
 173/171  
 D456,232 S \* 4/2002 Chen ..... D8/25  
 D458,524 S \* 6/2002 Cheng ..... B25F 5/00  
 D8/51  
 6,457,387 B1 \* 10/2002 Hu ..... B25B 13/463  
 81/62  
 D508,387 S \* 8/2005 Hsu ..... B25B 23/0007  
 D8/61  
 D509,585 S \* 9/2005 Kling ..... D24/111  
 D519,799 S \* 5/2006 Izumisawa ..... D8/25  
 D525,502 S \* 7/2006 Chen ..... D8/61  
 D554,460 S \* 11/2007 Enriquez ..... D8/61  
 D567,045 S \* 4/2008 Chen ..... D8/61  
 D572,554 S \* 7/2008 Chen ..... D8/61  
 D873,103 S \* 1/2020 Chen ..... D8/61  
 D889,228 S \* 7/2020 Chen ..... D8/61  
 D891,213 S \* 7/2020 Hattori ..... D8/61

D926,543 S \* 8/2021 Chen ..... D8/61  
 D929,833 S \* 9/2021 Shu ..... D8/61  
 D936,438 S \* 11/2021 Cyborski ..... D8/25  
 D940,521 S \* 1/2022 Cyborski ..... D8/25  
 11,213,937 B1 \* 1/2022 Rajzer ..... F21V 33/0084  
 11,412,631 B2 \* 8/2022 Genz ..... B25F 5/02  
 11,465,267 B2 \* 10/2022 Schiltz ..... B25B 21/004  
 2008/0190246 A1 \* 8/2008 Hsu ..... B25B 23/147  
 81/57.13  
 2014/0102260 A1 \* 4/2014 Pusateri ..... F16H 19/04  
 173/1  
 2014/0338503 A1 \* 11/2014 Beer ..... B25F 5/02  
 173/217  
 2015/0059531 A1 \* 3/2015 Ely ..... B25B 21/004  
 81/57.39  
 2015/0165603 A1 \* 6/2015 Cheng ..... B25B 21/026  
 81/464  
 2019/0126450 A1 \* 5/2019 Gauthier ..... B25B 13/462  
 2019/0344410 A1 \* 11/2019 Hsieh ..... B25B 23/1427  
 2019/0351534 A1 \* 11/2019 Hsu ..... B25B 21/02  
 2020/0023506 A1 \* 1/2020 Justis ..... B25F 5/00  
 2020/0023507 A1 \* 1/2020 Schiltz ..... B23G 1/32  
 2021/0331300 A1 \* 10/2021 Schulz ..... B25B 23/0007  
 2022/0069662 A1 \* 3/2022 Cyborski ..... H02K 9/16  
 2022/0219297 A1 \* 7/2022 Beer ..... B25B 23/147  
 2022/0288763 A1 \* 9/2022 Beer ..... B25F 5/02

OTHER PUBLICATIONS

“New Snap on Cordless Ratchet CT762!! First impressions”; Resto Rods; Youtube.com; Nov. 9, 2019; accessed Apr. 13, 2022; URL:< <https://www.youtube.com/watch?v=6IPMkNjoV0E> > (Year: 2019).\*

“Durofix RW1216-3P G12 Series 12V Li-ion Cordless 3/8" 65 ft-lbs. Extended Ratchet Wrench Tool Kit with Canvas Bag”; amazon.com; Dec. 9, 2020; accessed Apr. 12, 2022; URL:< <https://www.amazon.com/Durofix-RW1216-3P-Cordless-ft-lbs-Extended/dp/B08Q3BFSQD?th=1> > (Year: 2020).\*

“ACDelco ARW1218-K18 G12 Series 12V Li-ion Cordless 3/8" Extended Ratchet Wrench & 1/4" Ratchet Wrench Combo Tool Kit”; amazon.com; Oct. 2, 2020; accessed Apr. 12, 2022; URL:< <https://www.amazon.com/dp/B08K4J94KD/> > (Year: 2020).\*

“Extended Cordless Ratchet Wrench, 3/8" 40 Ft-lbs 400 RPM 12V Long Reach Electric Ratchet Wrench Kit”; amazon.com; Jul. 5, 2020; accessed Apr. 12, 2022; URL:< <https://www.amazon.com/dp/B085ZWQVQK/?th=1> > (Year: 2020).\*

\* cited by examiner

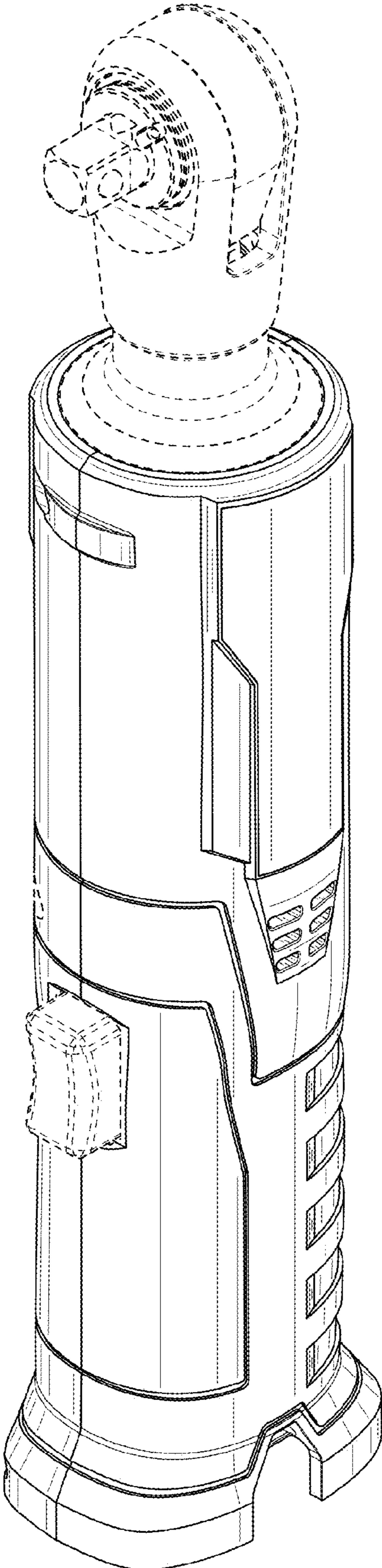


FIG. 1

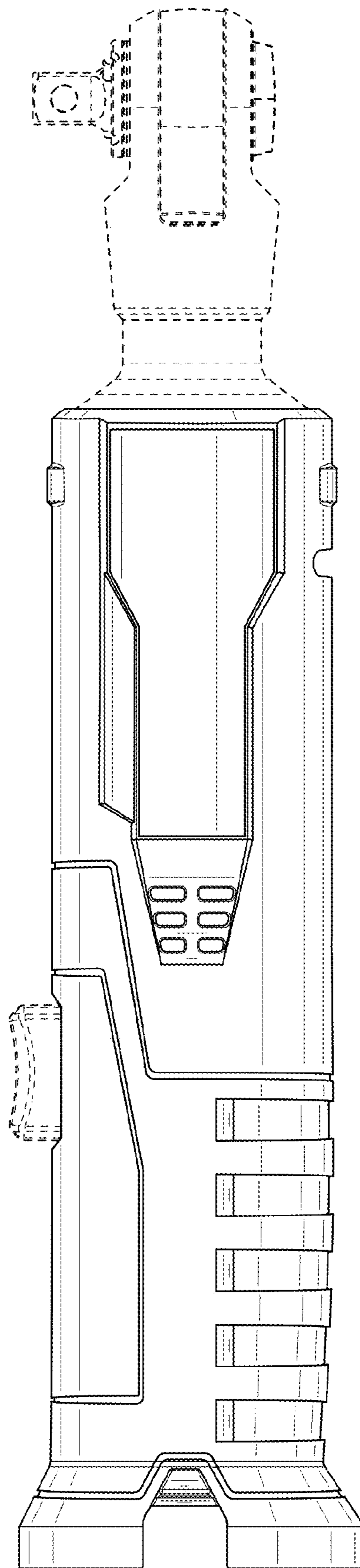


FIG. 2

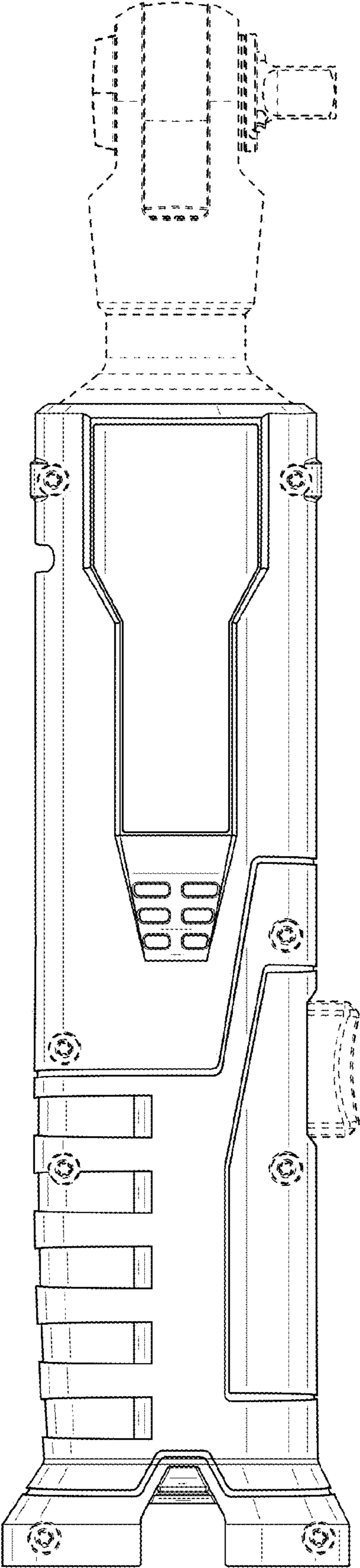


FIG. 3

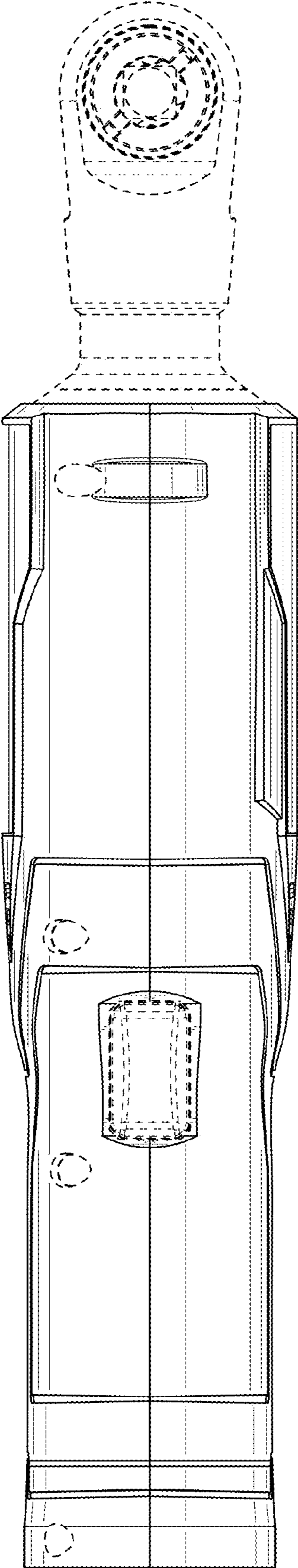


FIG. 4

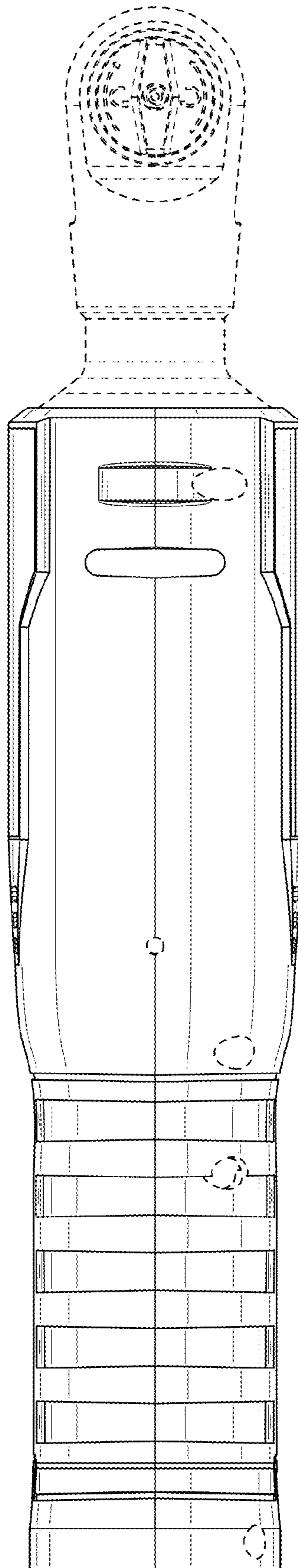


FIG. 5

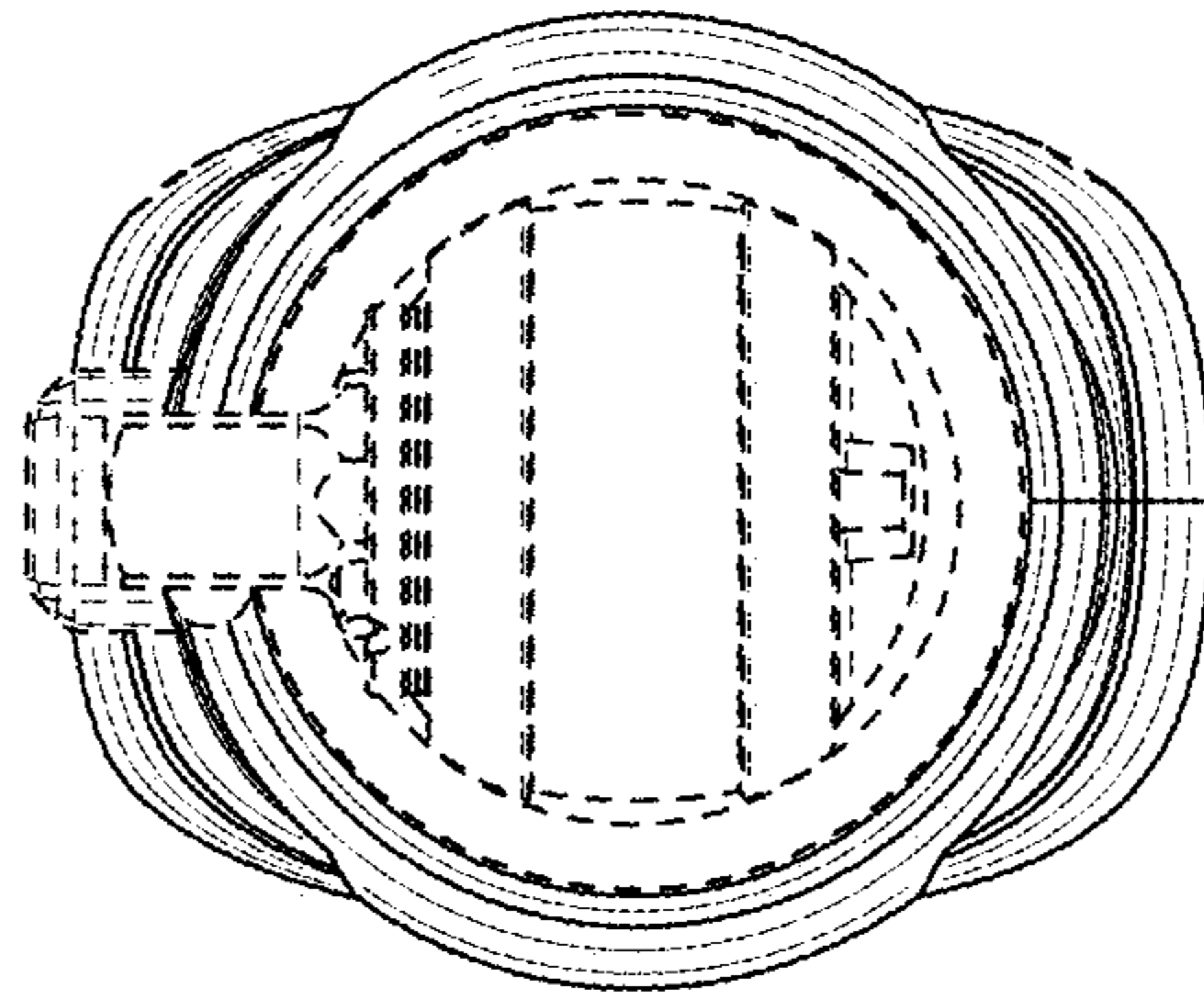


FIG. 6

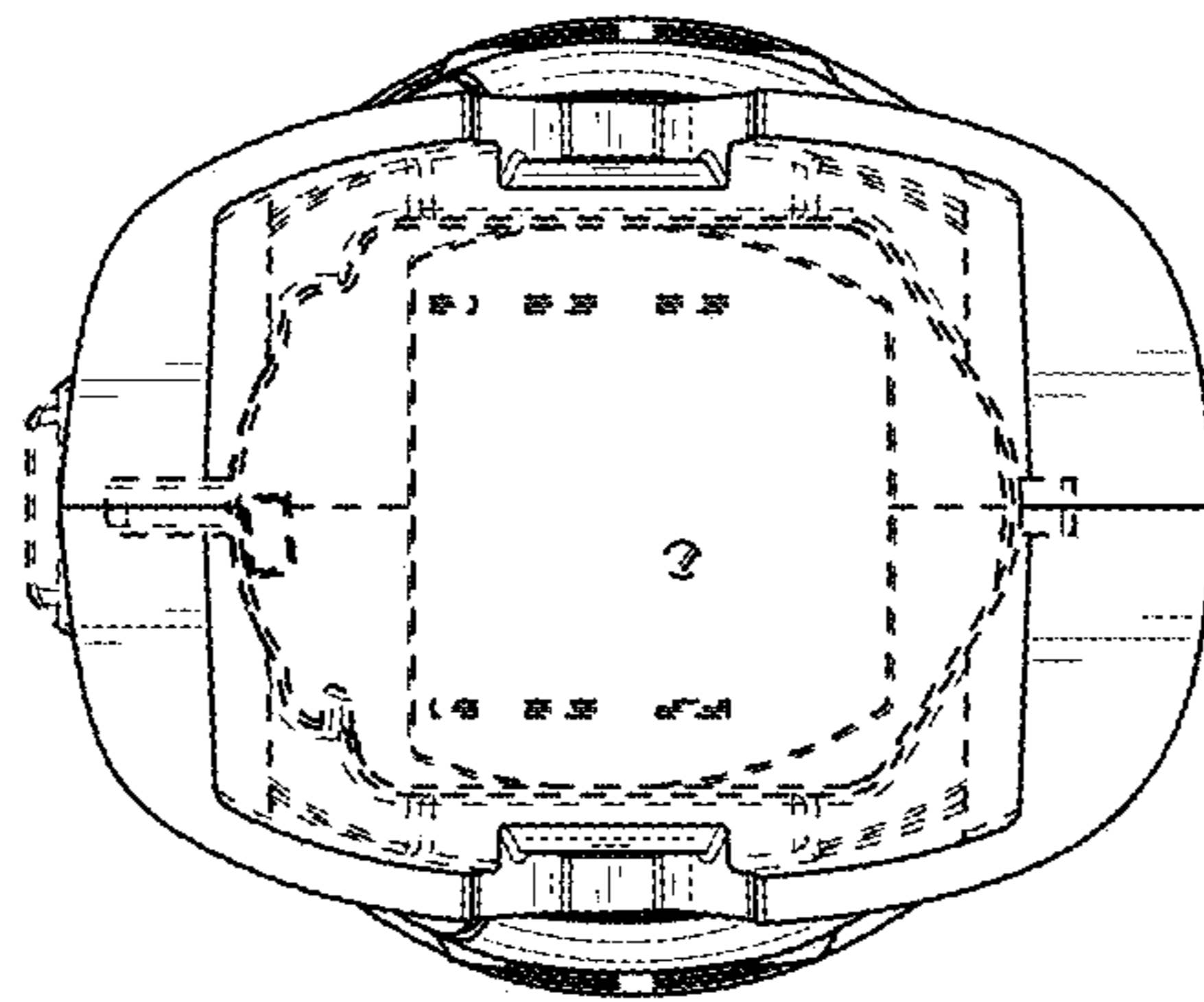


FIG. 7



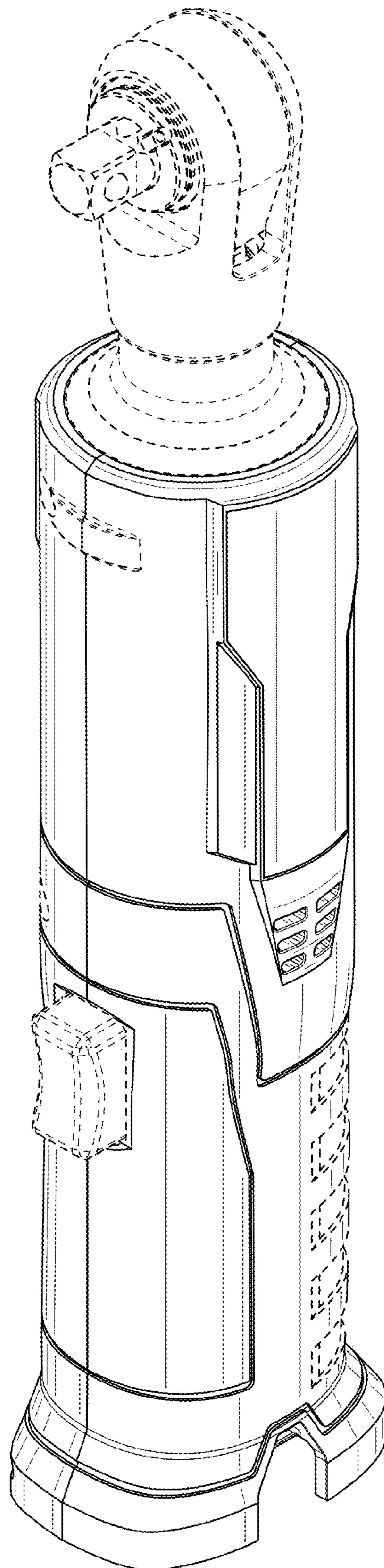


FIG. 8

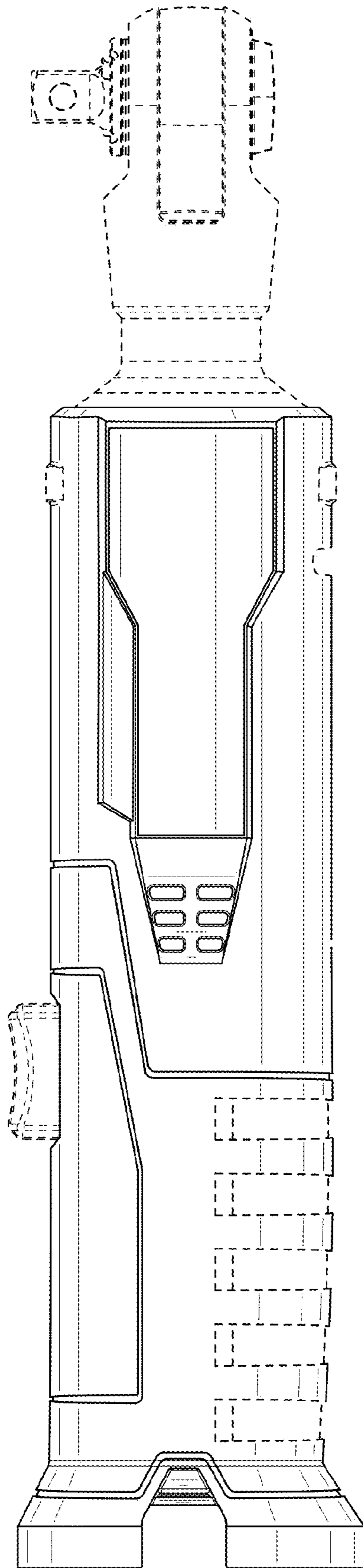


FIG. 9

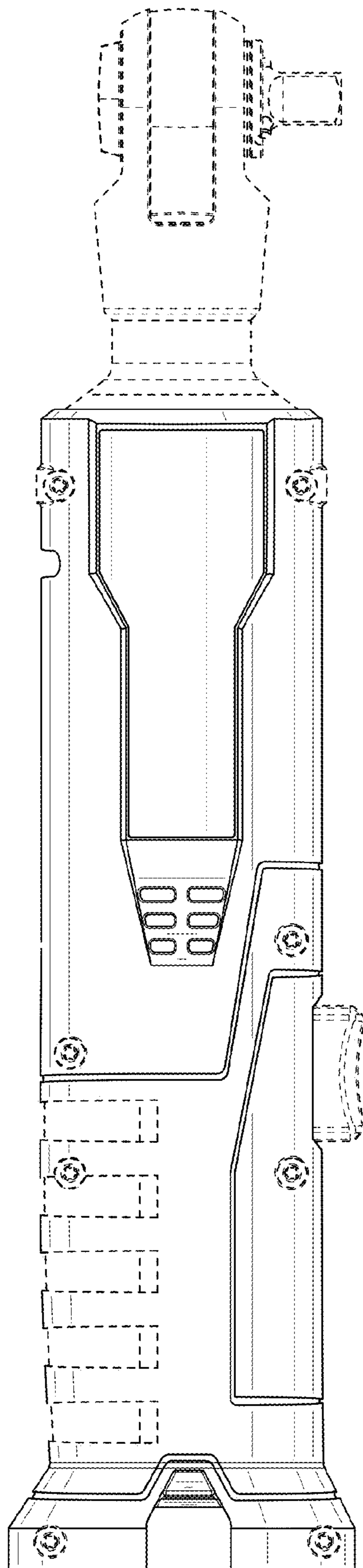


FIG. 10

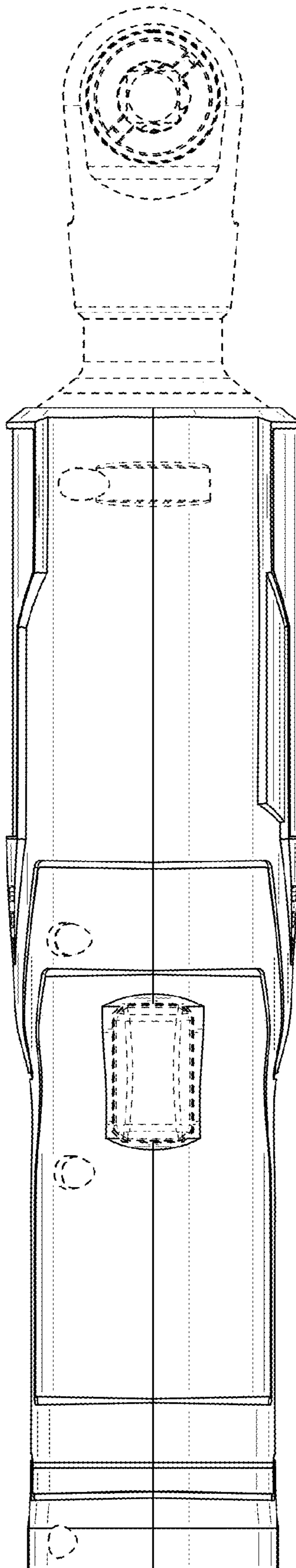


FIG. 11

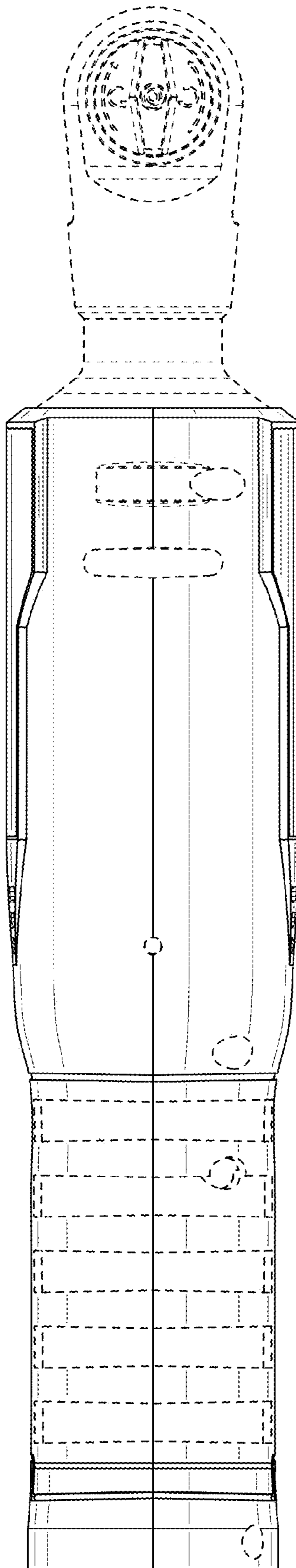


FIG. 12

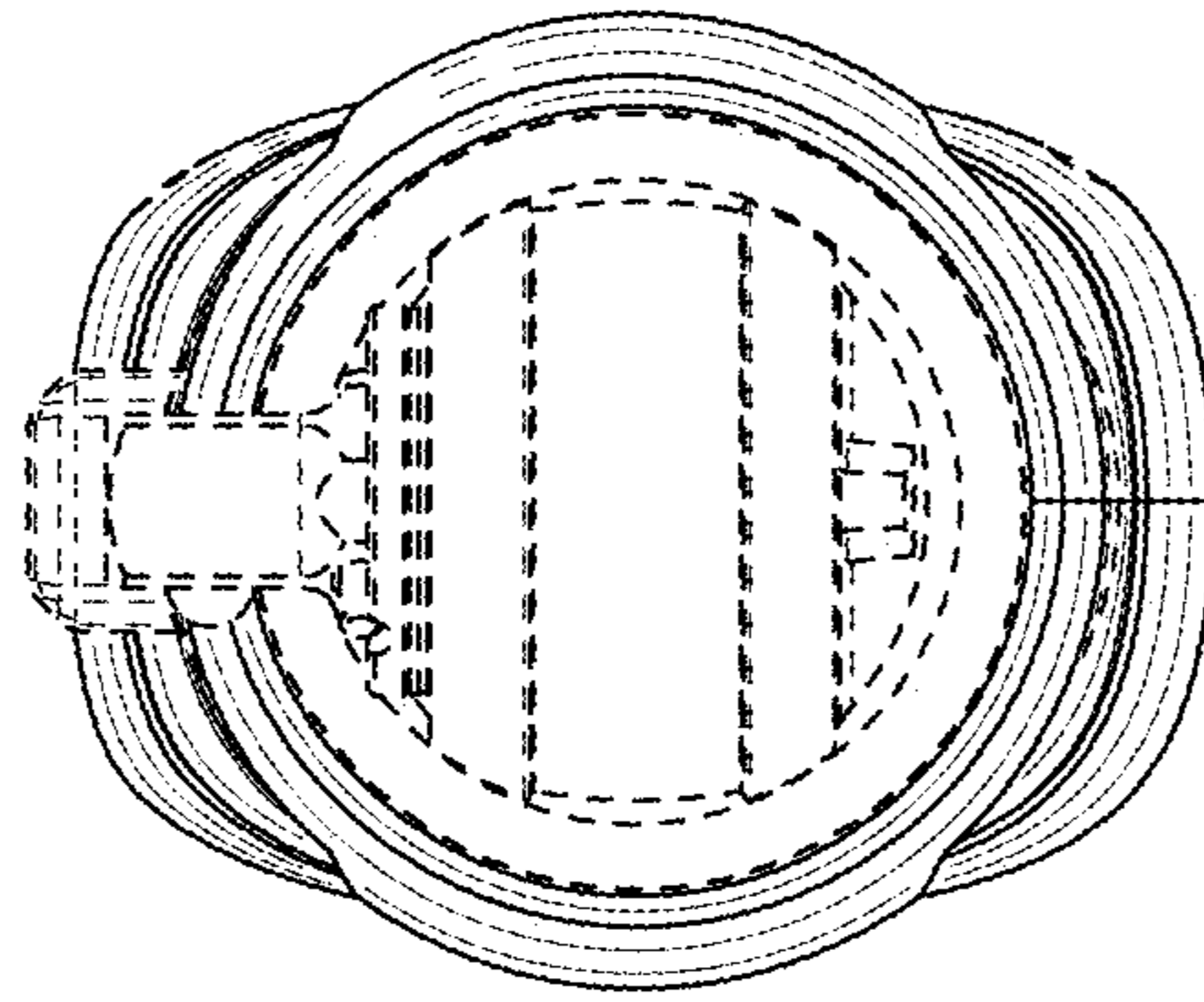


FIG. 13

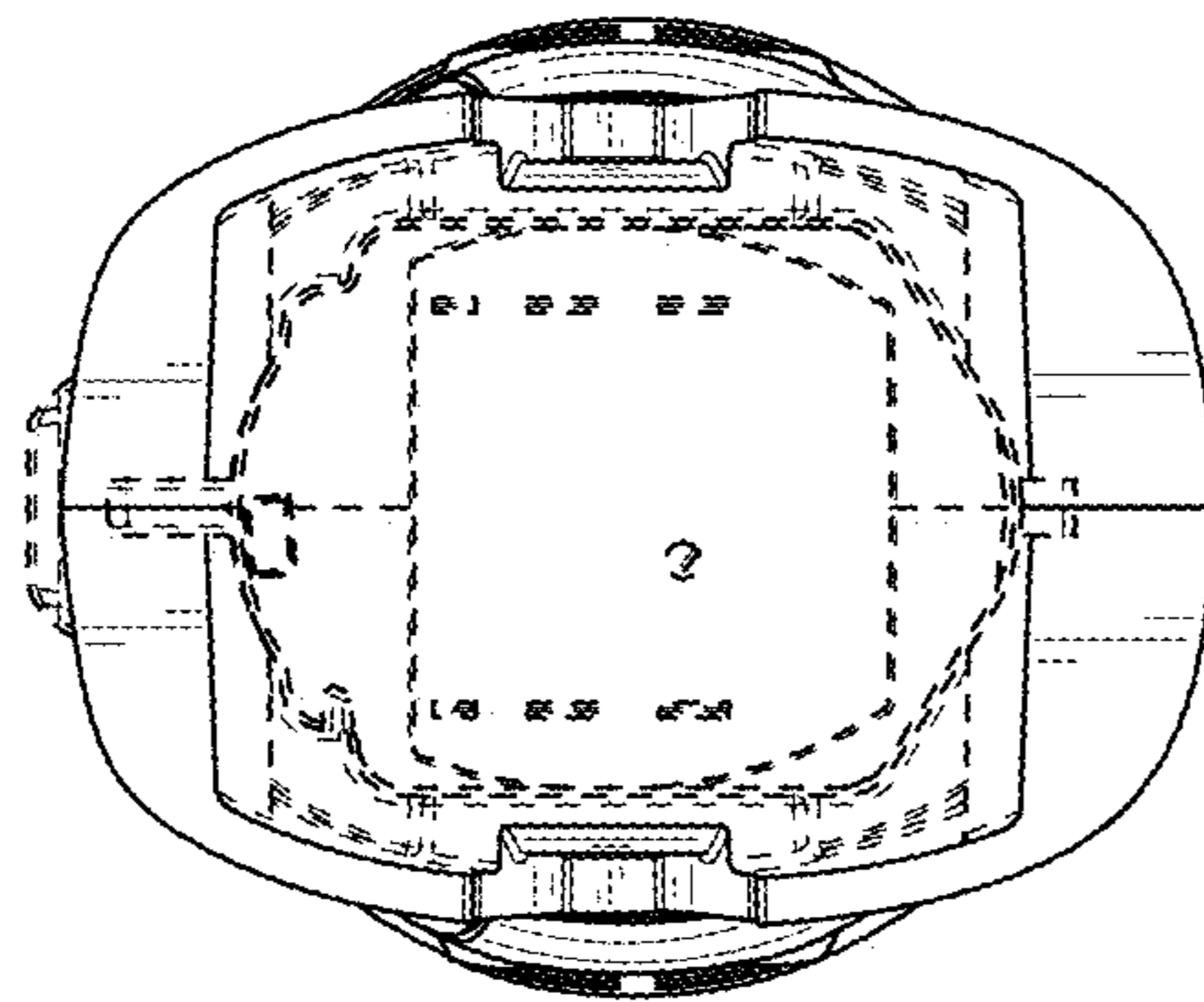


FIG. 14