

US00D976072S

(12) **United States Design Patent** (10) **Patent No.:** **US D976,072 S**
Jia (45) **Date of Patent:** **** Jan. 24, 2023**

(54) **BUTANE TORCH**
(71) Applicant: **KK S&R**, South El Monte, CA (US)
(72) Inventor: **Shaolin Jia**, Los Angeles, CA (US)
(**) Term: **15 Years**
(21) Appl. No.: **29/856,676**
(22) Filed: **Oct. 17, 2022**
(51) **LOC (14) Cl.** **08-05**
(52) **U.S. Cl.**
USPC **D8/30; D15/144**
(58) **Field of Classification Search**
USPC D8/30, 107; D19/177; D15/144
CPC B25D 17/00; F23D 14/28; F23D 14/44;
F23D 14/46; B23K 3/03
See application file for complete search history.

(56) **References Cited**
U.S. PATENT DOCUMENTS
D260,846 S * 9/1981 Summers 219/121.48
5,667,377 A * 9/1997 Lin F23D 14/38
431/255
D416,920 S 11/1999 Chou
D465,978 S * 11/2002 Miyanaga D8/30
D514,606 S 2/2006 Picaza
D519,800 S * 5/2006 Glover D8/30
D587,975 S * 3/2009 Aronson, II D8/30
D594,300 S * 6/2009 Picaza Ibarondo D8/30
D625,746 S 10/2010 Roberts
D698,378 S 1/2014 Leiteritz
D703,250 S 4/2014 McKinley
D703,251 S 4/2014 Raboin
D718,358 S 11/2014 McKinley
D793,193 S * 8/2017 Lee D8/30
D803,649 S * 11/2017 van der Rest D8/68
D805,567 S * 12/2017 Kita D8/30
D820,331 S * 6/2018 Walters D15/144
D832,902 S * 11/2018 Tsai D15/144
D847,232 S 4/2019 Zahriya
D861,429 S * 10/2019 Lin D7/416

D867,413 S * 11/2019 Tsai D15/144
D868,857 S 12/2019 Wu
D869,749 S * 12/2019 Pan D27/159
D881,343 S * 4/2020 Huang D23/223
D882,654 S * 4/2020 Tsai D15/144
D925,629 S 7/2021 Baldwin
(Continued)

OTHER PUBLICATIONS

Spicey Dew, Refillable Professional Chefs Culinary Kitchen Torch, (first available May 24, 2016) Amazon.com, URL:<https://www.amazon.com/Blow-Torch-Refillable-Professional-Adjustable/dp/B01G3MZWBW> (Year: 2016).*

(Continued)

Primary Examiner — Calvin E Vansant
Assistant Examiner — Mark T. Philipps
(74) *Attorney, Agent, or Firm* — Runit Ranjit Kanakia

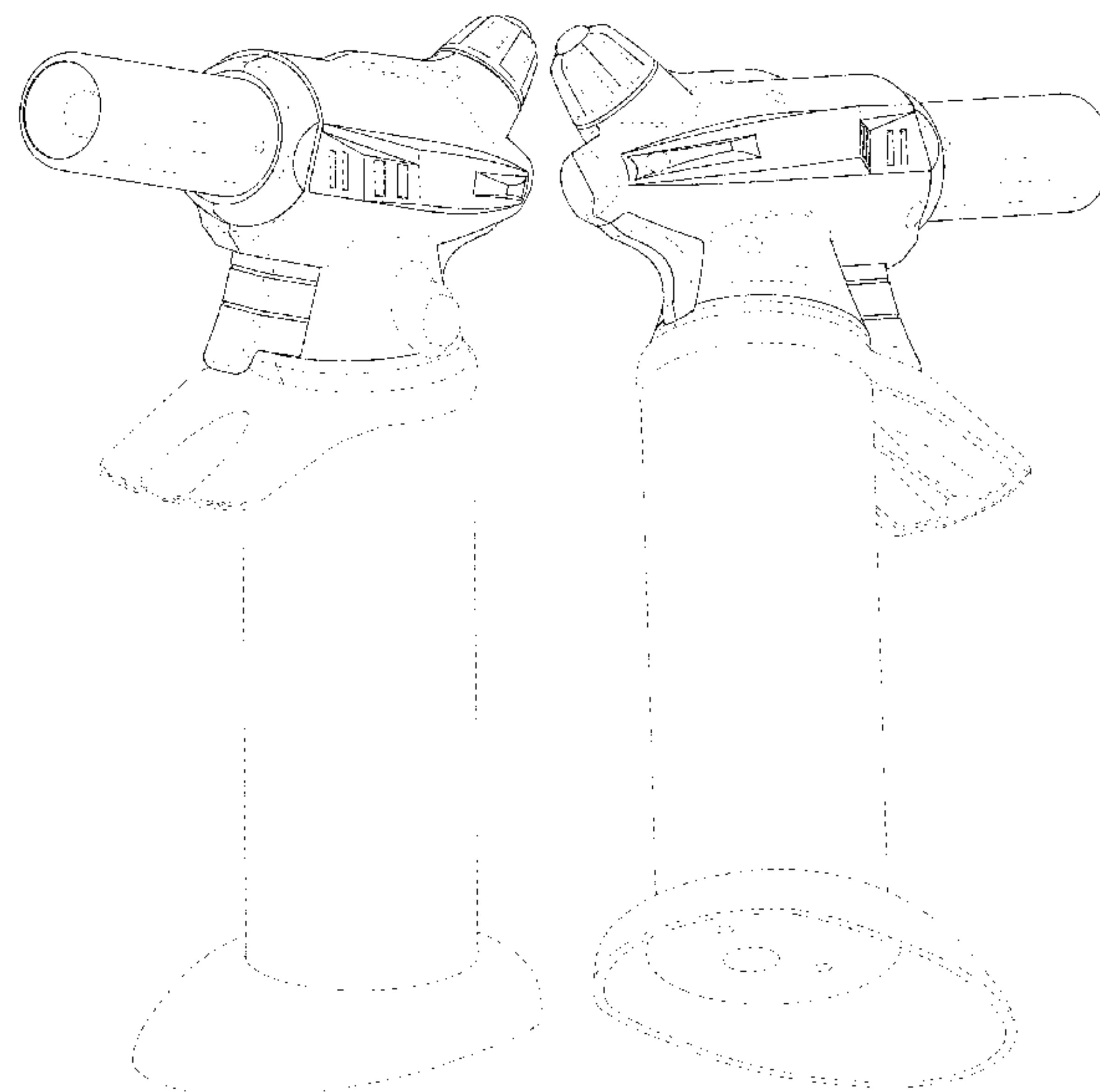
(57) **CLAIM**

The ornamental design for a butane torch, as shown and described.

DESCRIPTION

FIG. 1 is a front perspective view of a butane torch showing my new design;
FIG. 2 is a rear perspective view thereof;
FIG. 3 is a top perspective view thereof;
FIG. 4 is a bottom perspective view thereof;
FIG. 5 is a front elevational view thereof;
FIG. 6 is a rear elevational view thereof;
FIG. 7 is a left side view thereof;
FIG. 8 is a right side view thereof;
FIG. 9 is a top plan view thereof; and,
FIG. 10 is a bottom plan view thereof.
The broken lines in the figures are for the purposes of illustrating portions of the butane torch, which form no part of the claimed design.

1 Claim, 9 Drawing Sheets



(56)

References Cited

U.S. PATENT DOCUMENTS

D932,857 S * 10/2021 Burke D8/30
D947,911 S * 4/2022 Chiu D15/144
D950,835 S * 5/2022 Luo D27/141
2003/0203331 A1 * 10/2003 Hsu F23D 14/40
431/153
2010/0261129 A1 * 10/2010 Lin F23D 14/465
431/344
2016/0047543 A1 * 2/2016 Tsai F23D 14/64
431/153

OTHER PUBLICATIONS

Reidea, T2 Kitchen Torch, (site visited Nov. 9, 2022), ireidea.com website, URL:<<https://www.ireidea.com/product/kitchen-torch>> (Year: 2022).*

Flameweld, Butane Torch—S900 Refillable Kitchen Torch Lighter, (first available May 14, 2022) Amazon.com, URL:<<https://www.amazon.com/Flameweld-Butane-Torch-Refillable-Adjustable/dp/B0B19LVVBQ>> (Year: 2022).*

* cited by examiner

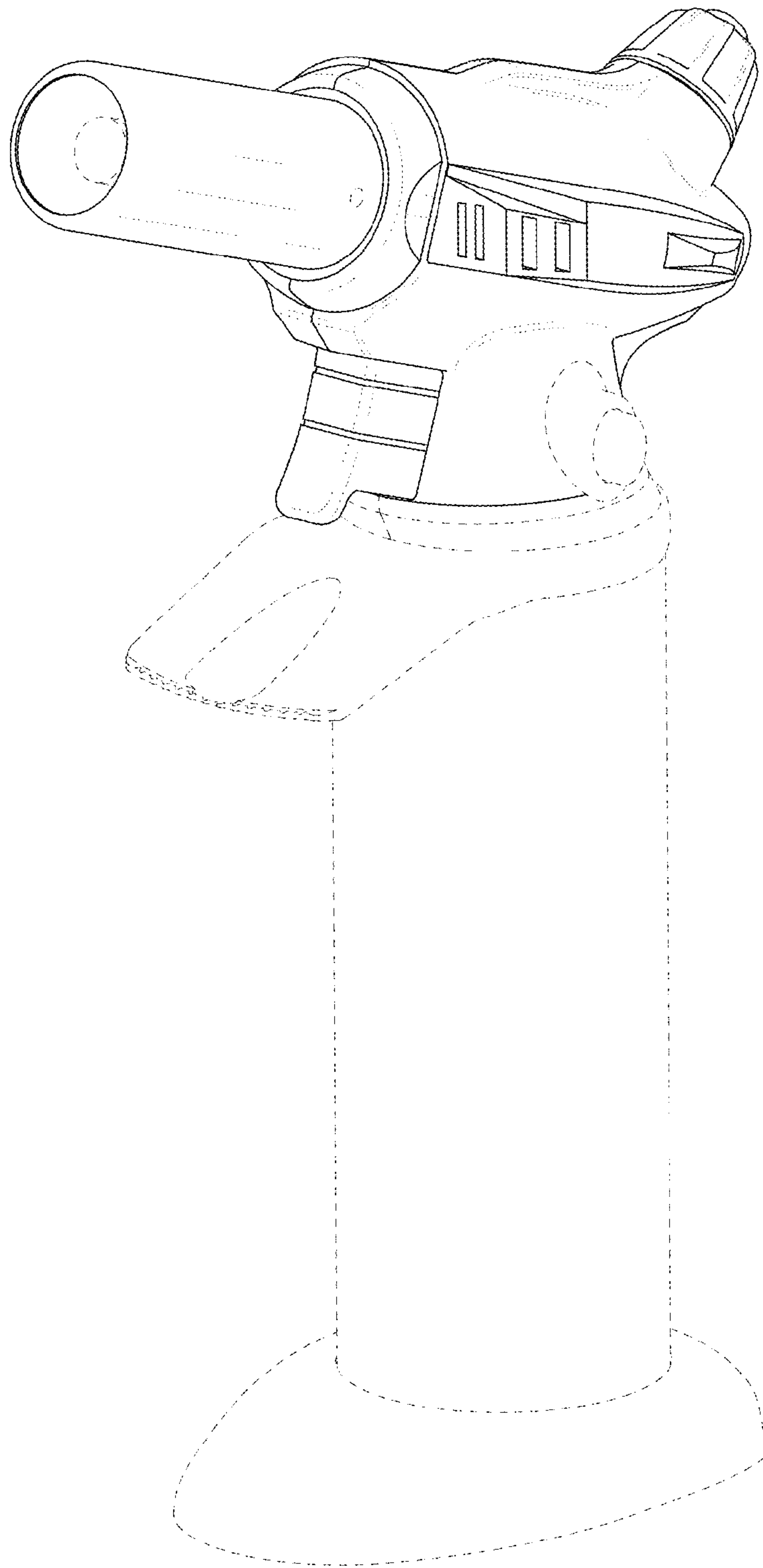


FIG. 1

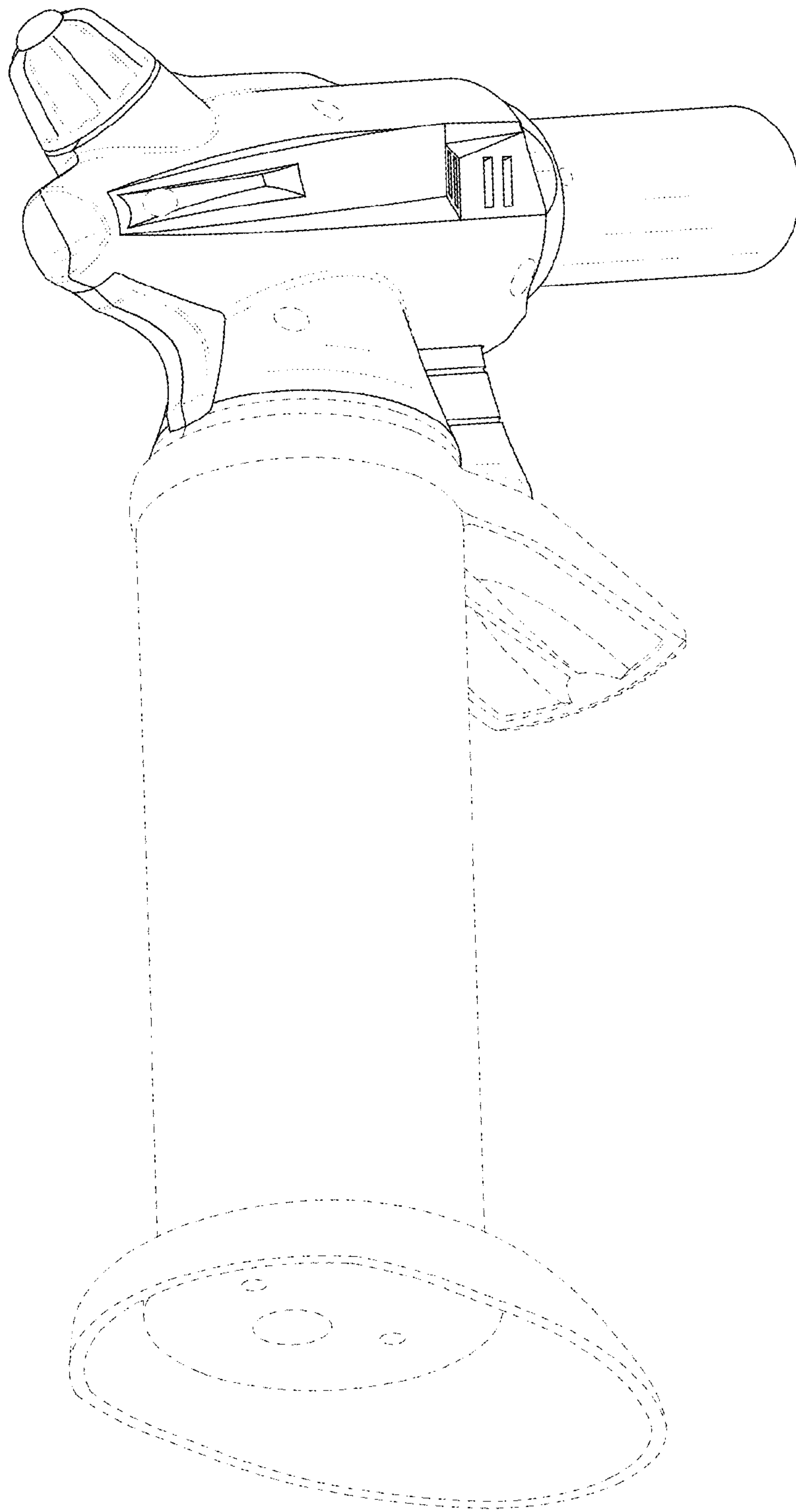


FIG. 2

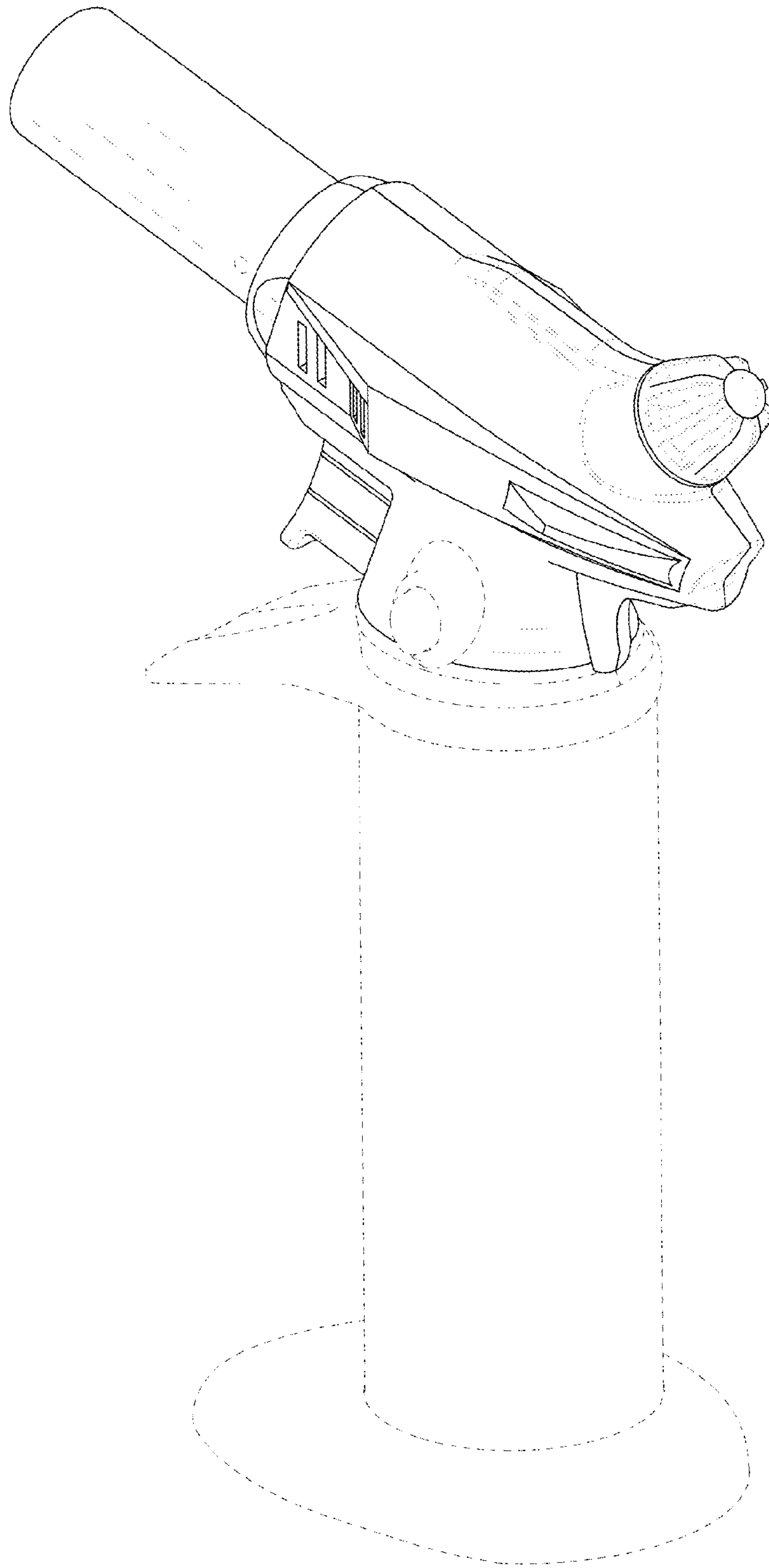


FIG. 3

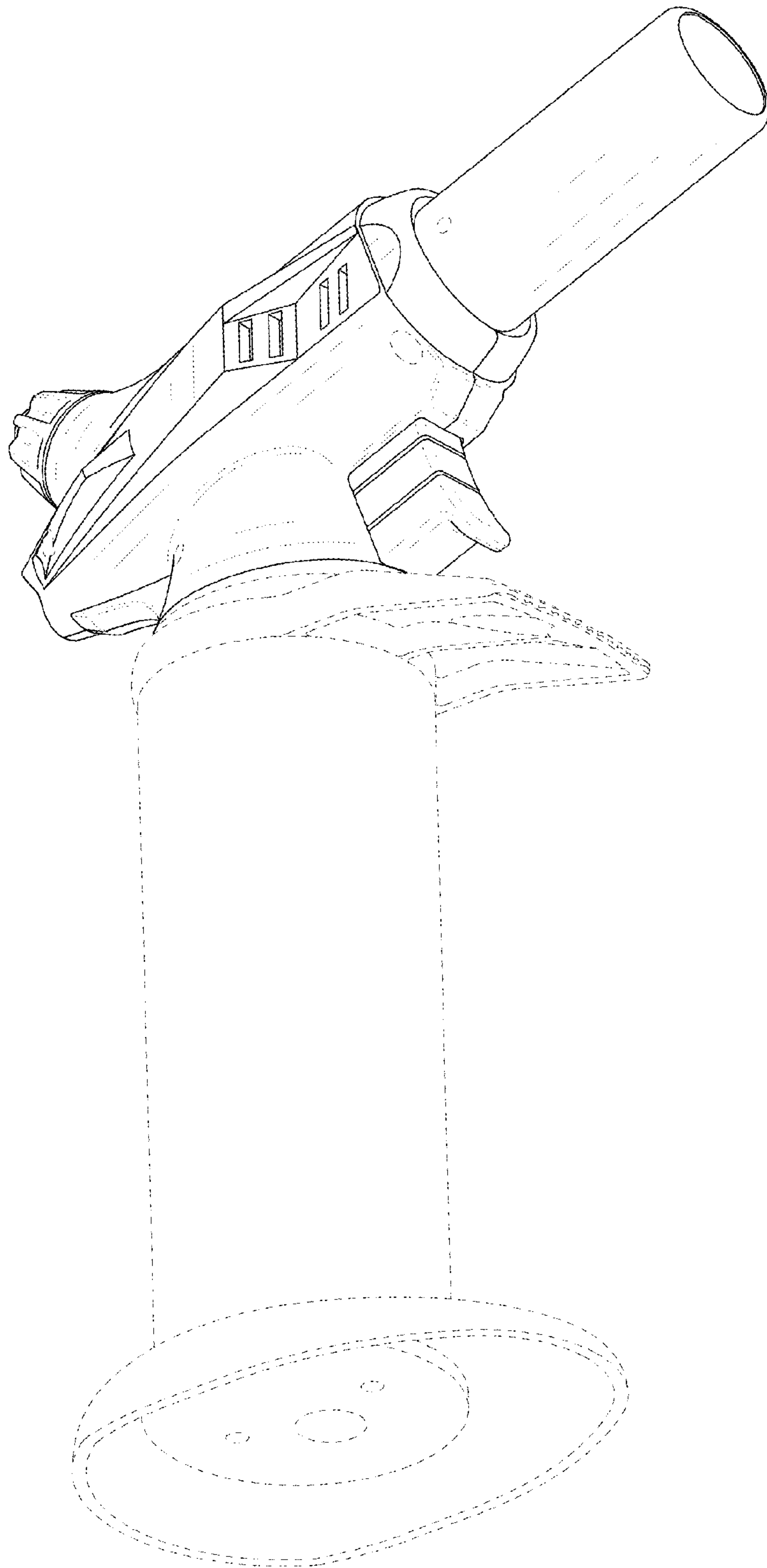


FIG. 4

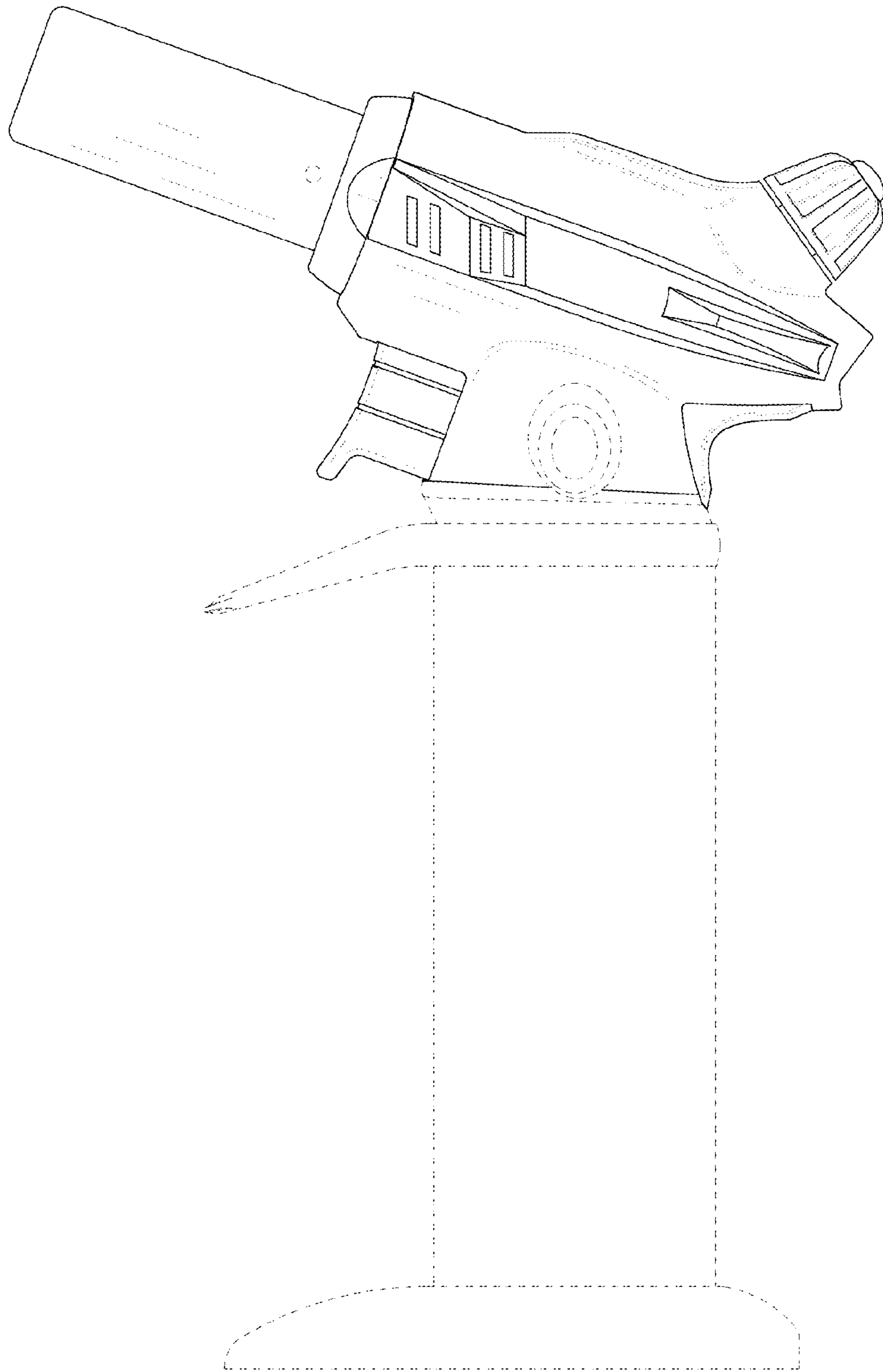


FIG. 5

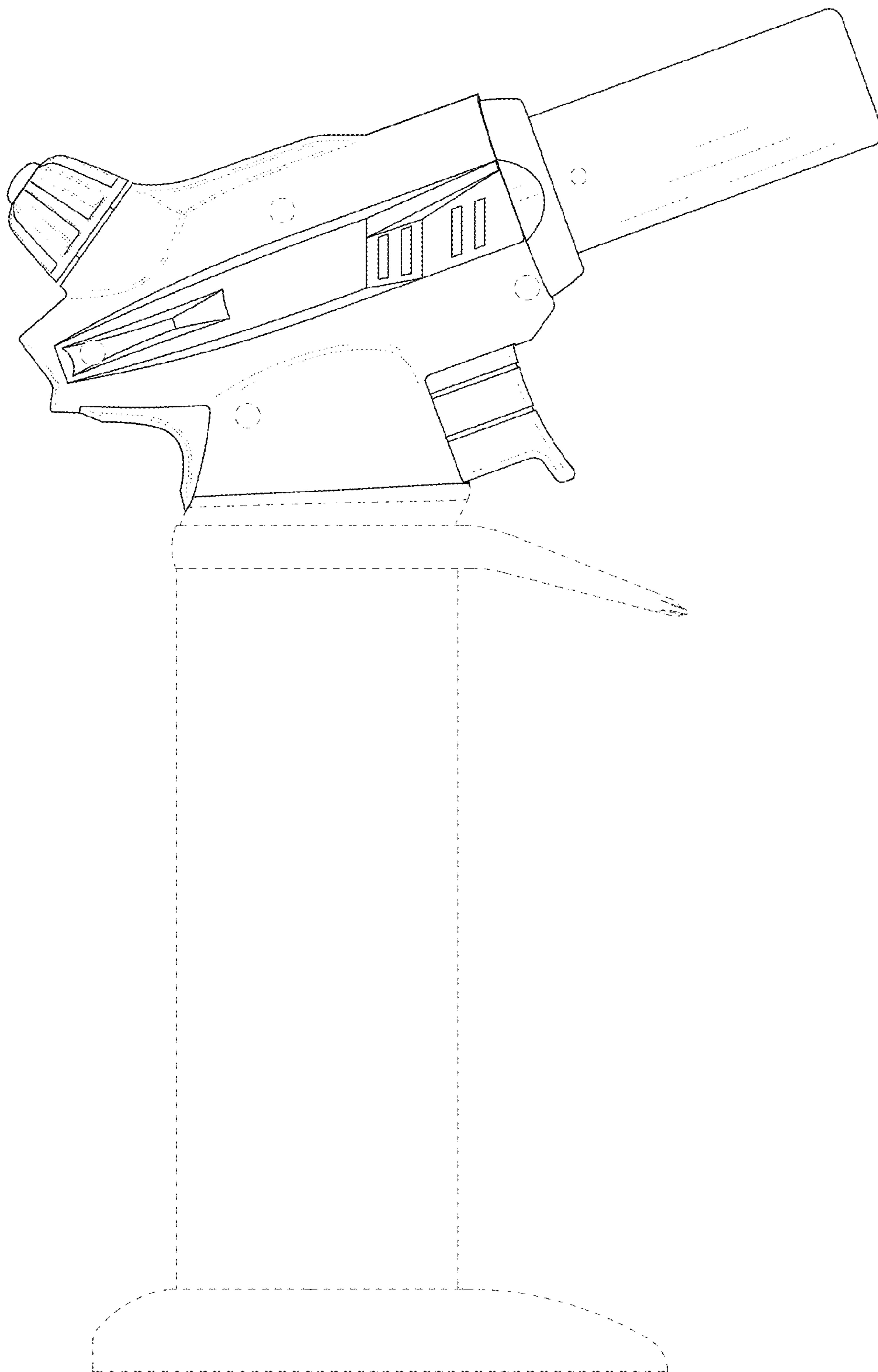


FIG. 6

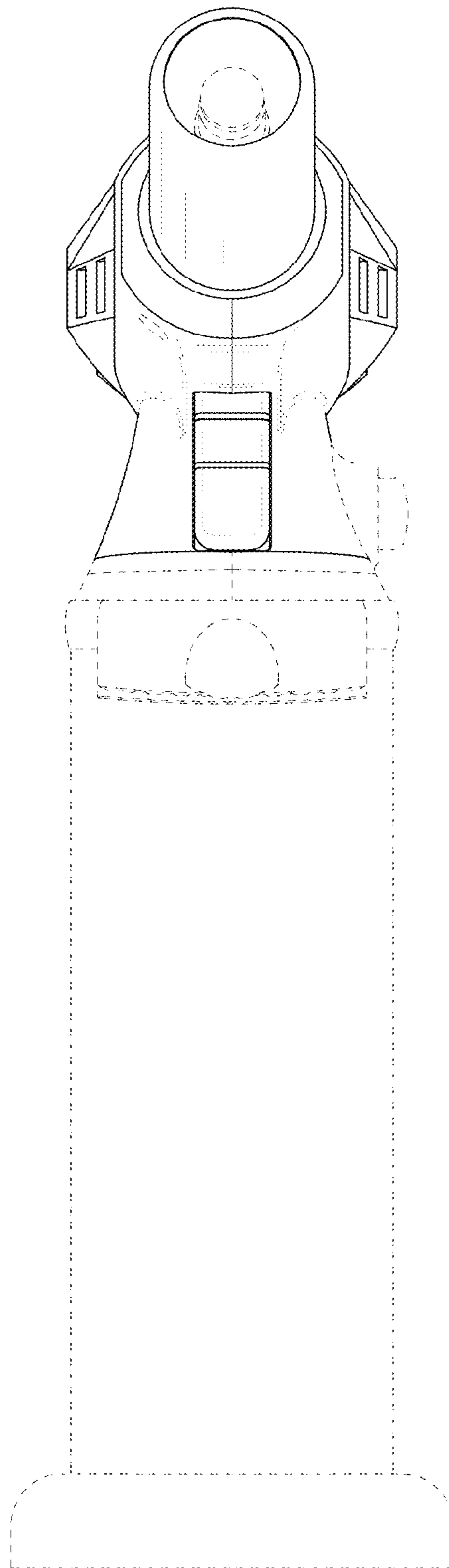


FIG. 7

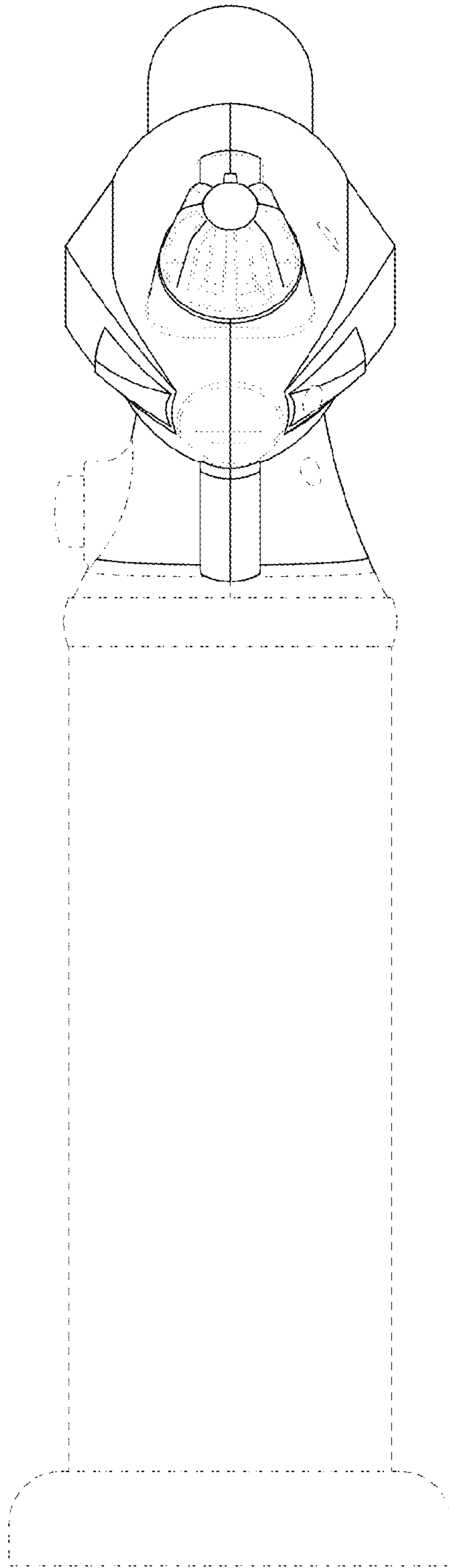


FIG. 8

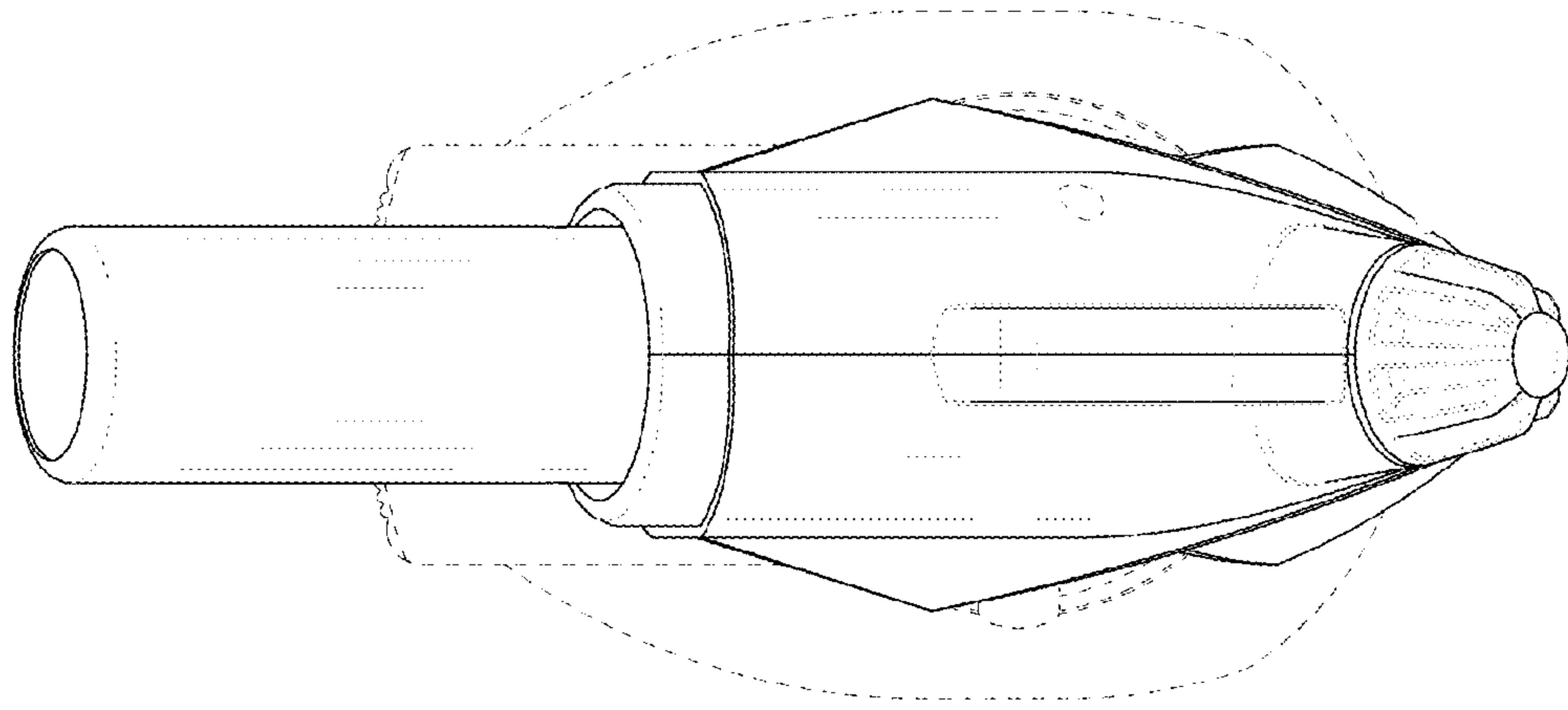


FIG. 9

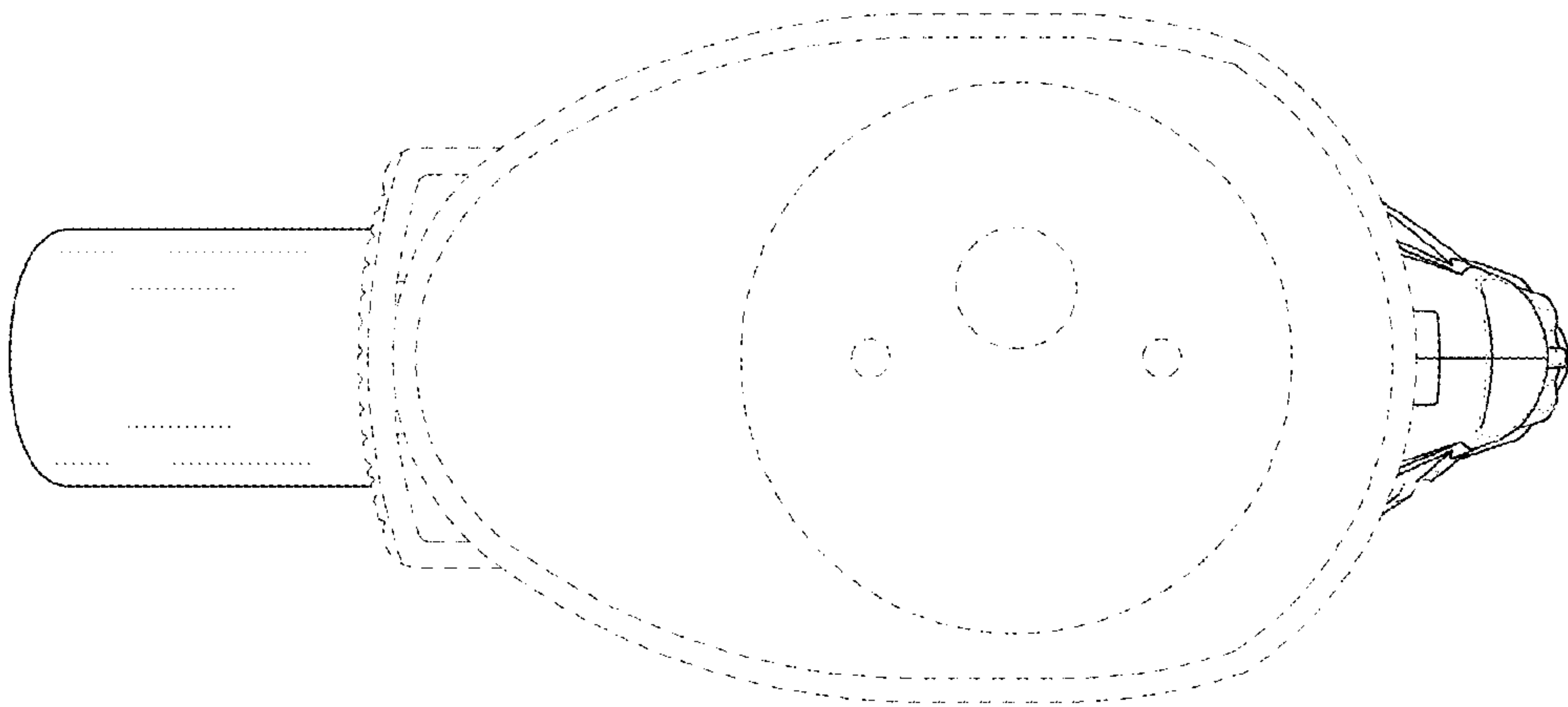


FIG. 10