



US00D976070S

(12) **United States Design Patent**
Whitehead et al.

(10) **Patent No.:** **US D976,070 S**
(45) **Date of Patent:** **** Jan. 24, 2023**

- (54) **RAKE HEAD**
- (71) Applicant: **Suncast Technologies, LLC**, Palm Beach Gardens, FL (US)
- (72) Inventors: **Stephen Whitehead**, Elgin, IL (US); **Torrence Anderson**, Overland Park, KS (US); **Charles Shotola**, La Grange Park, IL (US)
- (73) Assignee: **Suncast Technologies, LLC**, Palm Beach Gardens, FL (US)

- D223,794 S * 6/1972 Hart D8/13
- D230,558 S * 3/1974 Laible A01D 7/00
- D233,305 S * 10/1974 Eads D8/13
- D248,612 S * 7/1978 Oas D8/13
- D256,880 S * 9/1980 Brock, Jr. D8/13
- 4,219,993 A * 9/1980 Cosmos A01D 7/00
- D292,261 S * 10/1987 Mitton D8/13
- D311,310 S * 10/1990 Clivio D8/13
- D350,052 S * 8/1994 Sun D8/13
- D353,979 S * 1/1995 Sargeant D8/13
- D369,073 S * 4/1996 Sun D8/13
- D391,132 S * 2/1998 Gandee D8/13

(**) Term: **15 Years**

(21) Appl. No.: **29/766,074**

(22) Filed: **Jan. 13, 2021**

(51) **LOC (14) Cl.** **08-01**

(52) **U.S. Cl.**
USPC **D8/13**

(58) **Field of Classification Search**
USPC D8/1, 13; 56/400.17, 400.21, 400.01
CPC A01D 7/00
See application file for complete search history.

(56) **References Cited**

U.S. PATENT DOCUMENTS

- D10,532 S * 3/1878 Beebe D8/1
- 764,401 A * 7/1904 Wegner A01D 7/00
- 56/400.04
- D54,878 S * 4/1920 Tsuchiya D8/13
- 1,610,842 A * 12/1926 Young A01D 7/06
- 56/400.21
- 2,883,820 A * 4/1959 Bissell A01D 7/06
- 56/400.17
- D198,860 S * 8/1964 Fedorka, Jr. D8/13
- 3,164,945 A * 1/1965 Spencer A01D 7/10
- 294/50.8
- 3,332,223 A * 7/1967 Polisso A01D 7/00
- 56/400.17
- D223,743 S * 6/1972 Vaughan D8/13

(Continued)

Primary Examiner — Rachel A. Voorhies
Assistant Examiner — Benjamin D. Wannemacher
(74) *Attorney, Agent, or Firm* — McHale & Slavin, P.A.

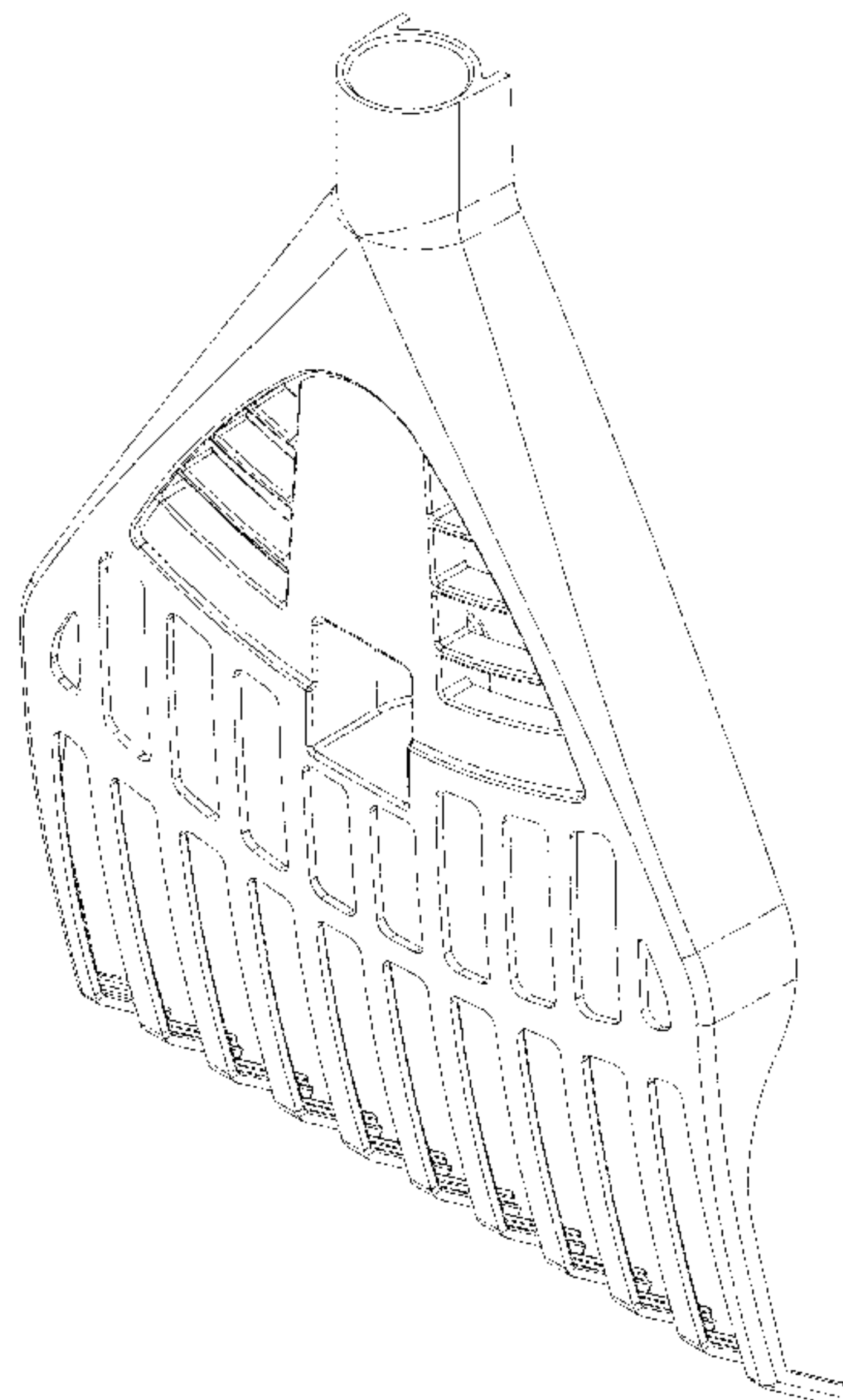
(57) **CLAIM**

The ornamental design for a rake head, as shown and described.

DESCRIPTION

FIG. 1 is a top front right perspective view of the rake head of the present invention;
FIG. 2 is a front view thereof;
FIG. 3 is a rear view thereof;
FIG. 4 is a right side view thereof;
FIG. 5 is a left side view thereof;
FIG. 6 is a top view thereof;
FIG. 7 is a bottom view thereof; and,
FIG. 8 is a top front right environmental view thereof.
The portions of the figures shown in broken lines form no part of the claim for illustrate portions of the rake head that are not claimed.
The broken line handle shown in dash-dash lines in FIG. 8 represents structural environment and forms no part of the claimed design.

1 Claim, 6 Drawing Sheets



(56)

References Cited

U.S. PATENT DOCUMENTS

D391,814 S	*	3/1998	Lindsey	D8/13
D393,786 S	*	4/1998	Hession	D8/13
D505,304 S	*	5/2005	Conaway	D8/13
D579,289 S	*	10/2008	Norton	D8/13

* cited by examiner

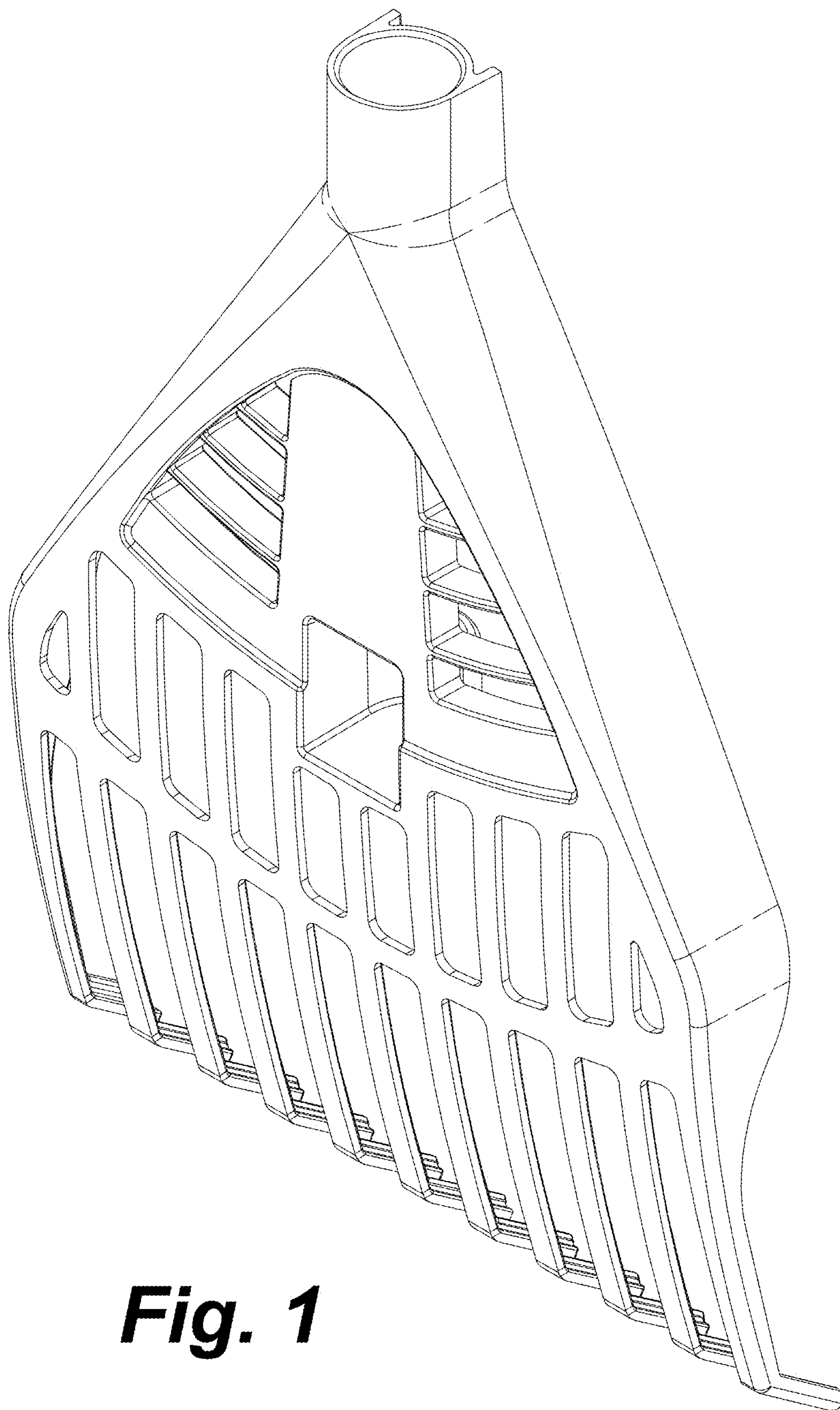


Fig. 1

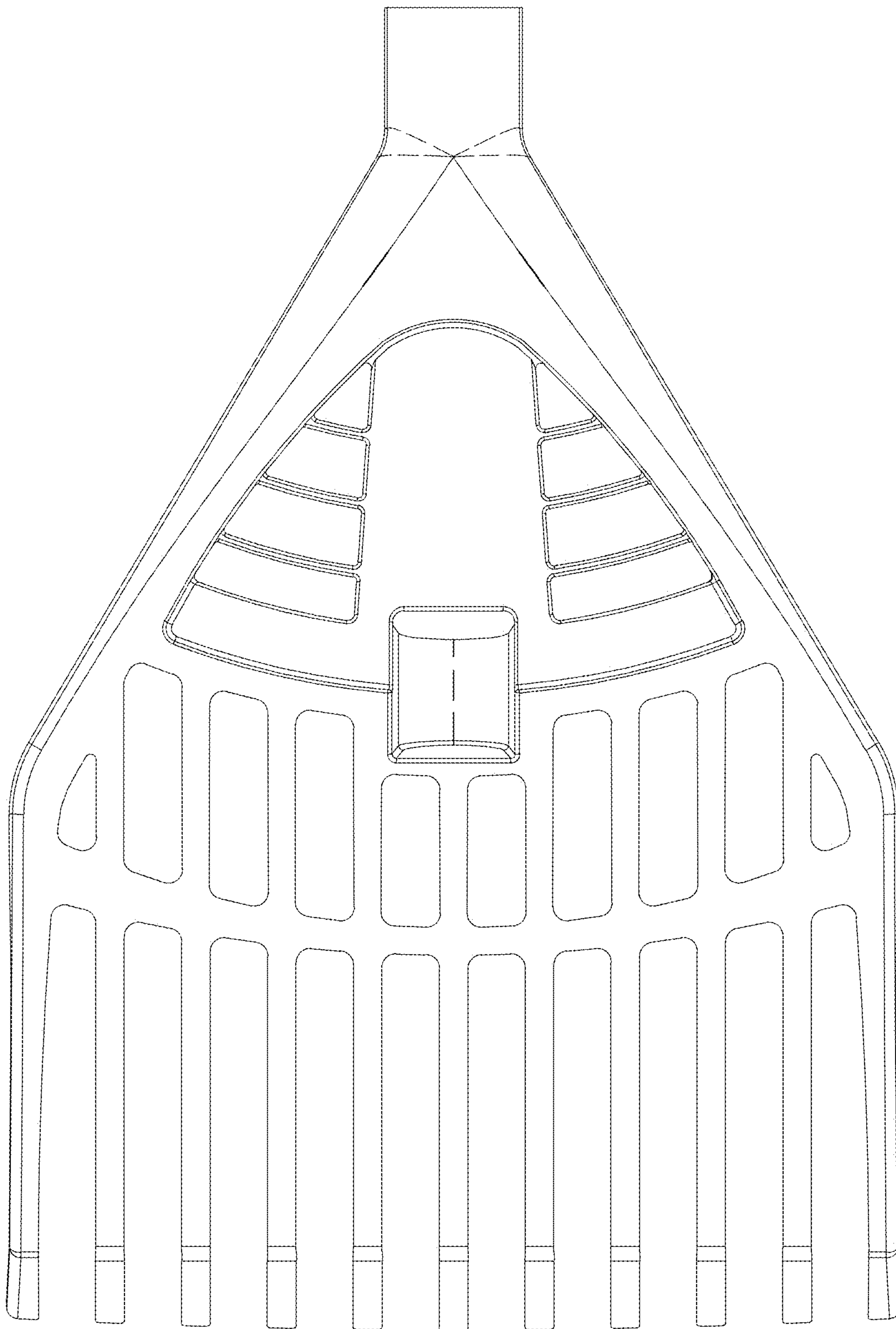


Fig. 2

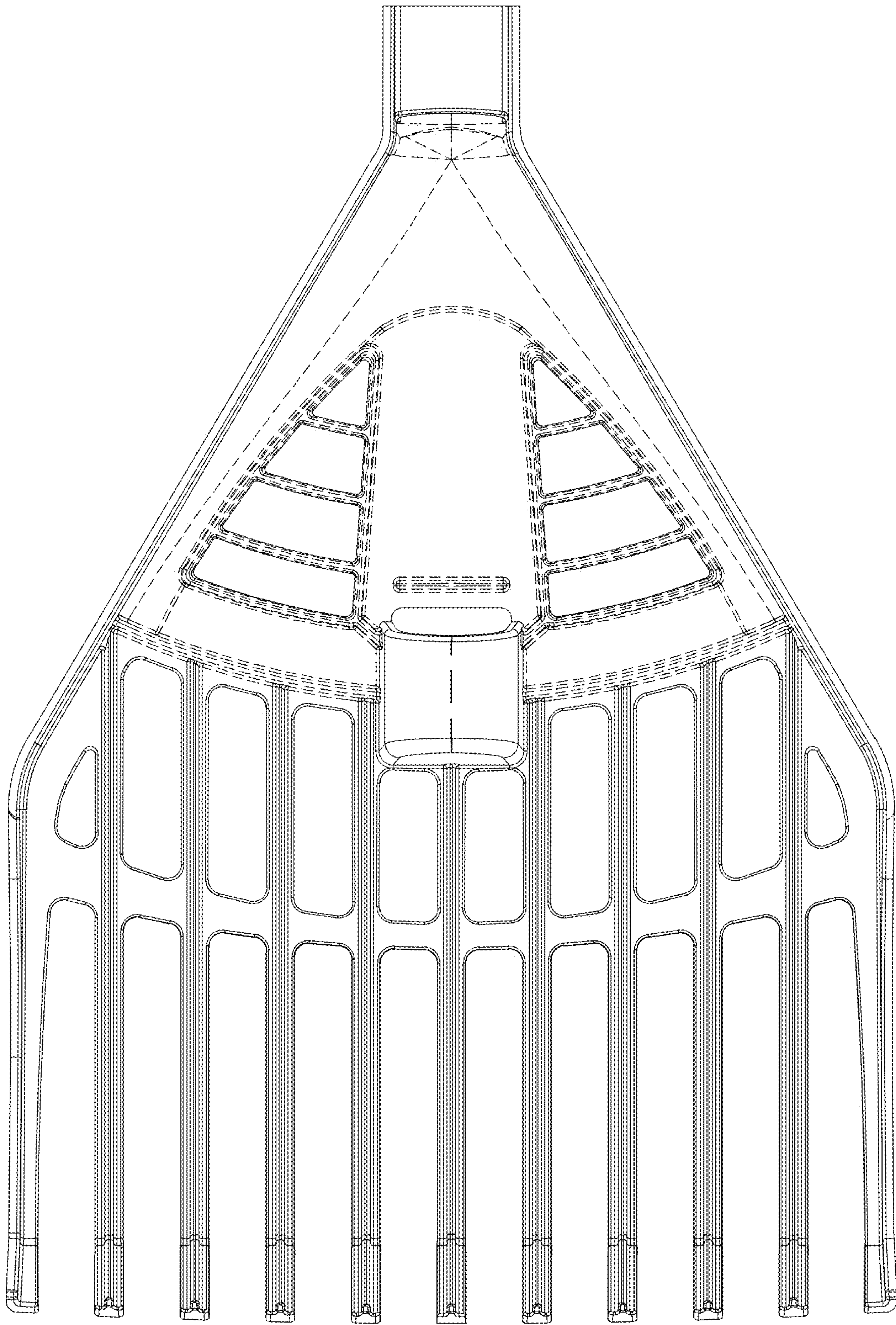


Fig. 3

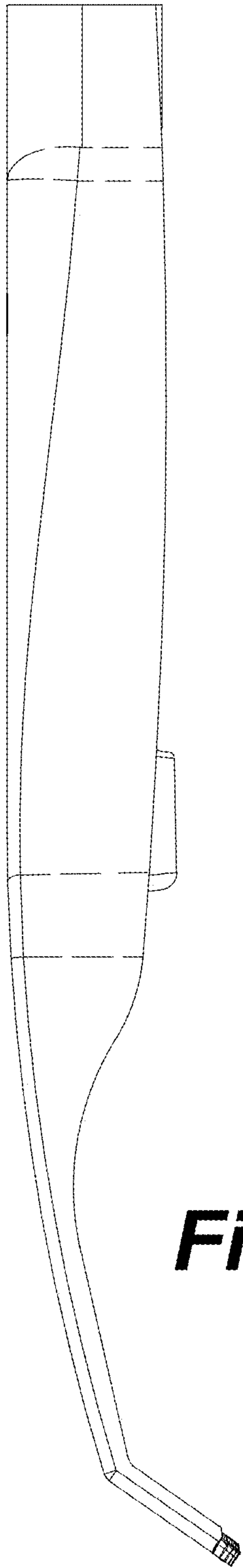


Fig. 4

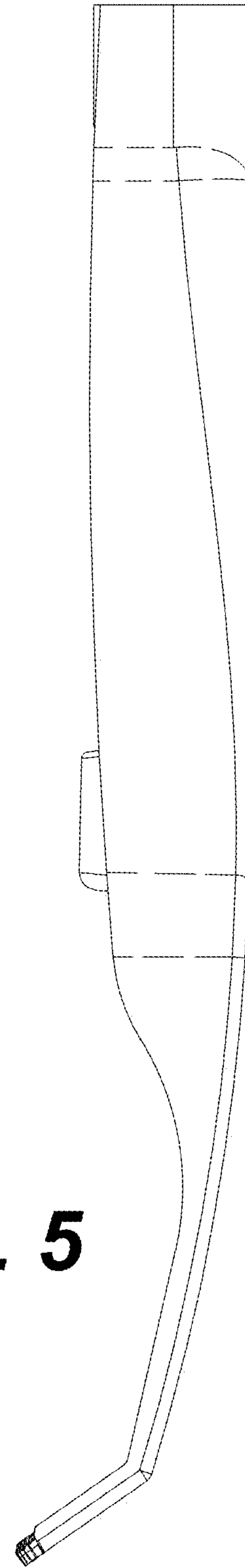


Fig. 5

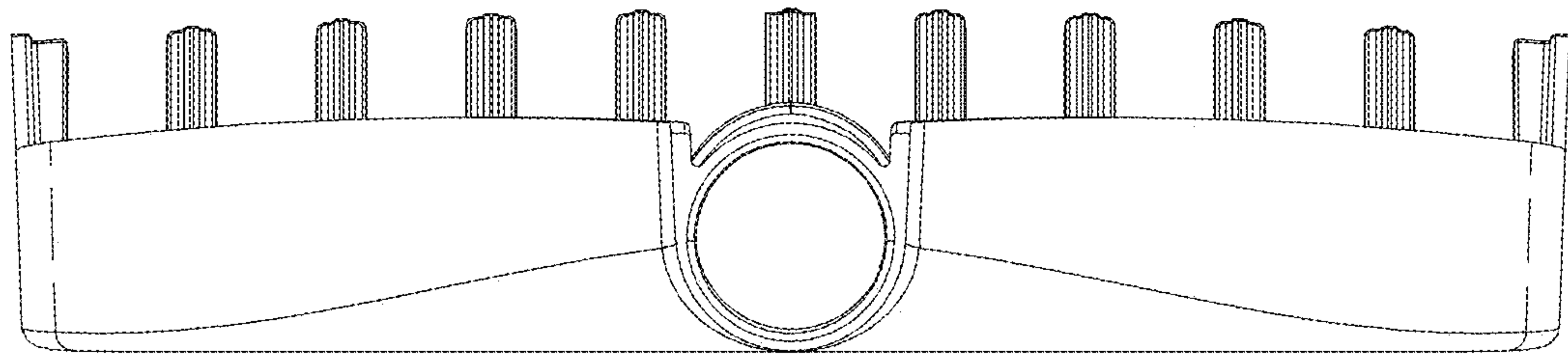


Fig. 6

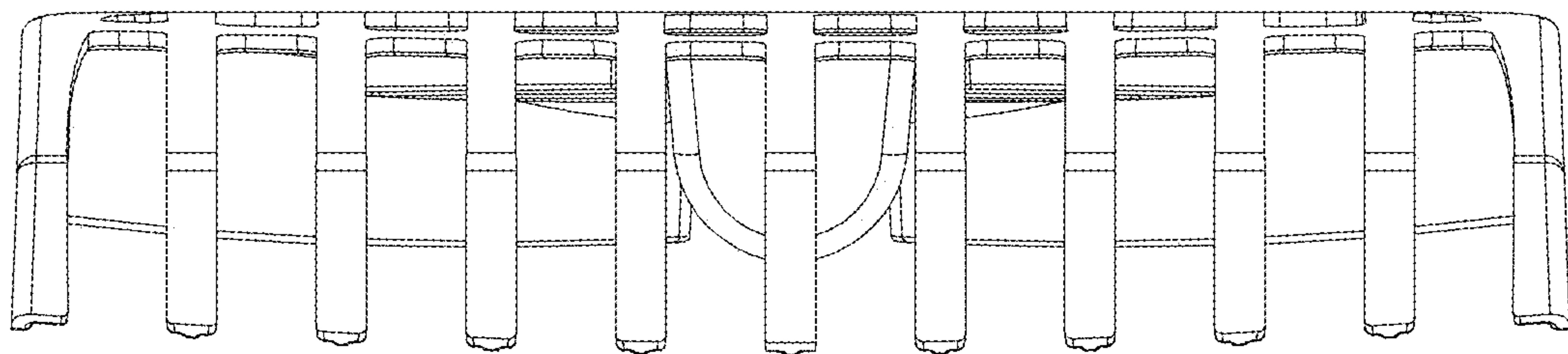


Fig. 7

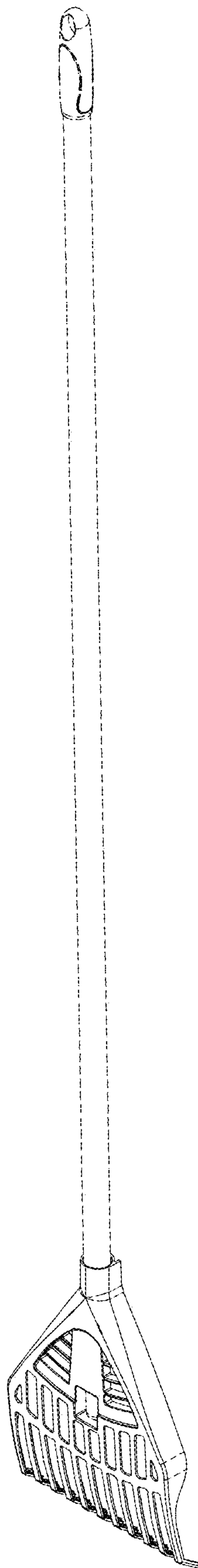


Fig. 8