



US00D976068S

(12) **United States Design Patent** (10) **Patent No.:** **US D976,068 S**
Zhang (45) **Date of Patent:** **** Jan. 24, 2023**

(54) **DESSERT DISPLAY RACK**

D803,007 S 11/2017 Liao
D859,039 S 9/2019 Pedersen
D883,720 S 5/2020 Johnson
2003/0057170 A1* 3/2003 Await A47F 7/0071
211/85.4

(71) Applicant: **Shanghai boyixin Trading Co., Ltd.**,
Shanghai (CN)

(72) Inventor: **Bingbing Zhang**, Fuyang (CN)

FOREIGN PATENT DOCUMENTS

(**) Term: **15 Years**

DE 102009058123 A1 * 6/2011 A47F 3/14

(21) Appl. No.: **29/812,773**

OTHER PUBLICATIONS

(22) Filed: **Oct. 25, 2021**

(51) **LOC (14) Cl.** **06-04**

(52) **U.S. Cl.**
USPC **D7/701**

(58) **Field of Classification Search**
USPC D7/701-708, 600.1-600.4; D6/512, 515,
D6/683, 683.1, 678.3
CPC .. A47F 7/00; A47F 7/0071; A47F 5/16; A47F
3/14

Amazon.com, Martellato, Clear Plexiglass Macroon Tray, ASIN: AGO5601, 6 pages, date first available Jan. 29, 2014 (Year: 2014).*
Amazon.com, BLBYHO Acrylic Macaron Display Tray, ASIN: B096HQ376H, 11 pages, date first available May 29, 2021 (Year: 2021).*
Amazon.com, HUANG Acrylic Clear Cheese and Cracker Tray, ASIN: B09FR6S268, 9 pages, date first available Sep. 8, 2021 (Year: 2021).*

See application file for complete search history.

* cited by examiner

(56) **References Cited**

Primary Examiner — Terry A Wallace

(74) *Attorney, Agent, or Firm* — Rumit Ranjit Kanakia

U.S. PATENT DOCUMENTS

(57) **CLAIM**

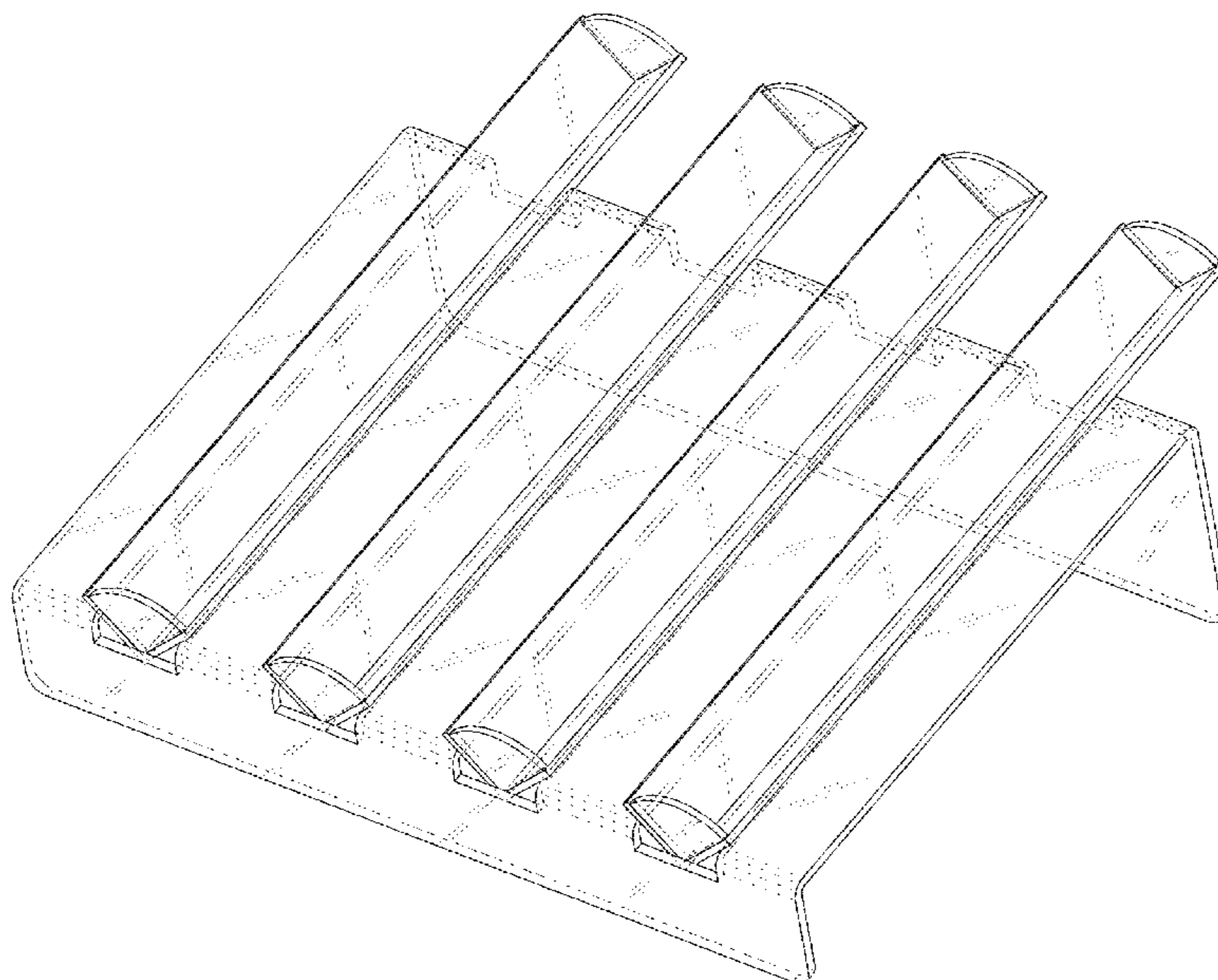
The ornamental design for a dessert display rack, as shown and described.

- D199,981 S * 1/1965 Litton 211/60.1
- D385,922 S * 11/1997 Tisbo D19/75
- D413,046 S 8/1999 Fritze
- D490,657 S 6/2004 McDonald
- D544,250 S 6/2007 Daugherty
- D544,251 S 6/2007 Daugherty
- D585,216 S 1/2009 Colin
- D591,531 S 5/2009 Sparkowski
- D614,002 S 4/2010 Heap
- D657,199 S * 4/2012 Chen D7/600.1
- D658,011 S 4/2012 Goode
- D664,010 S 7/2012 Goode
- D680,361 S 4/2013 Zobel
- D712,182 S 9/2014 Riley
- D768,441 S * 10/2016 Rook D7/600.1
- 9,656,792 B2 * 5/2017 Await A47F 7/0007
- D796,235 S 9/2017 Morrell

DESCRIPTION

FIG. 1 is a perspective view of a dessert display rack showing my new design;
FIG. 2 is an exploded perspective view thereof;
FIG. 3 is a front elevational view;
FIG. 4 is a rear elevational view thereof;
FIG. 5 is a left side view thereof;
FIG. 6 is a right side view thereof;
FIG. 7 is a top plan view thereof; and,
FIG. 8 is a bottom plan view thereof.

1 Claim, 8 Drawing Sheets



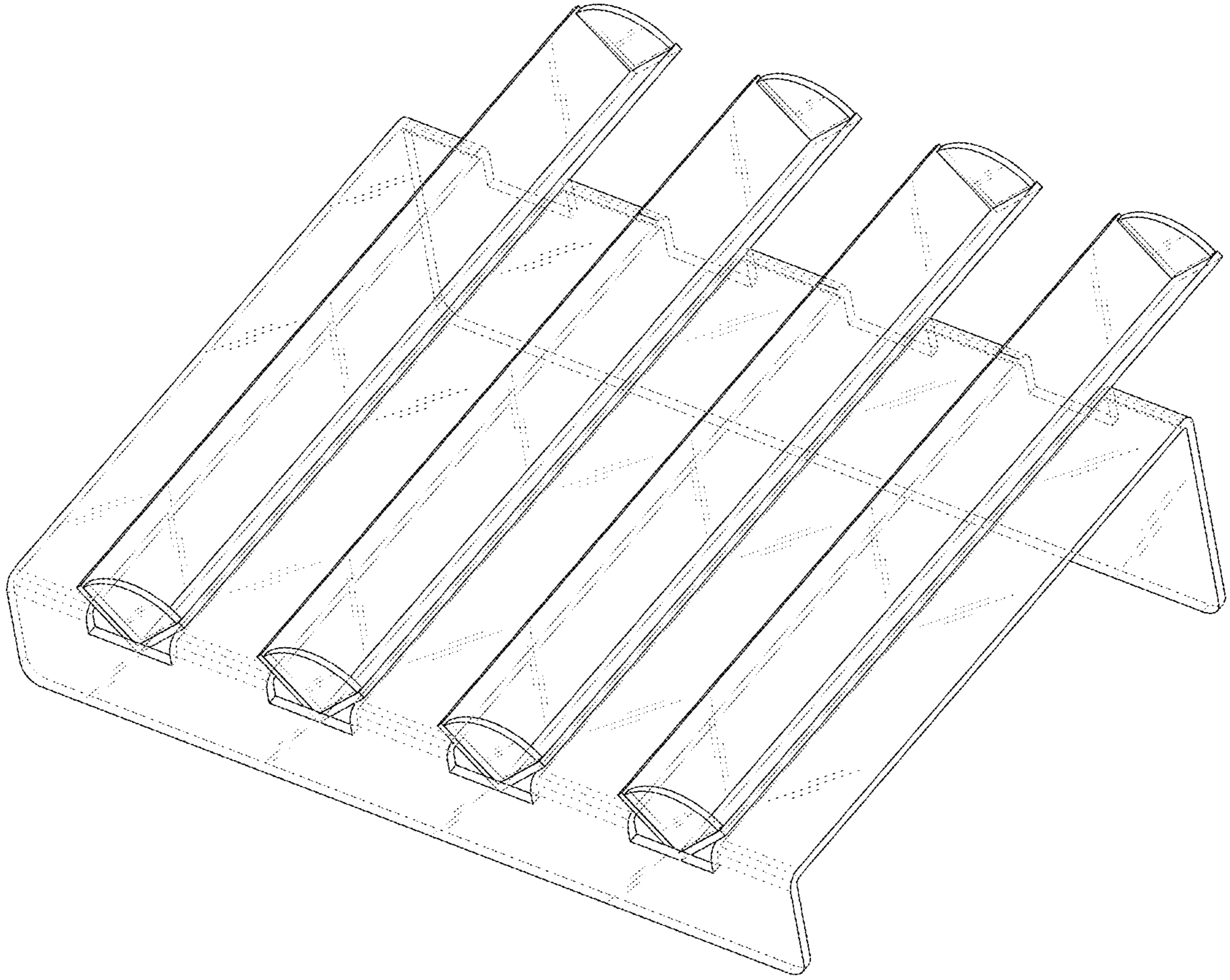


FIG. 1

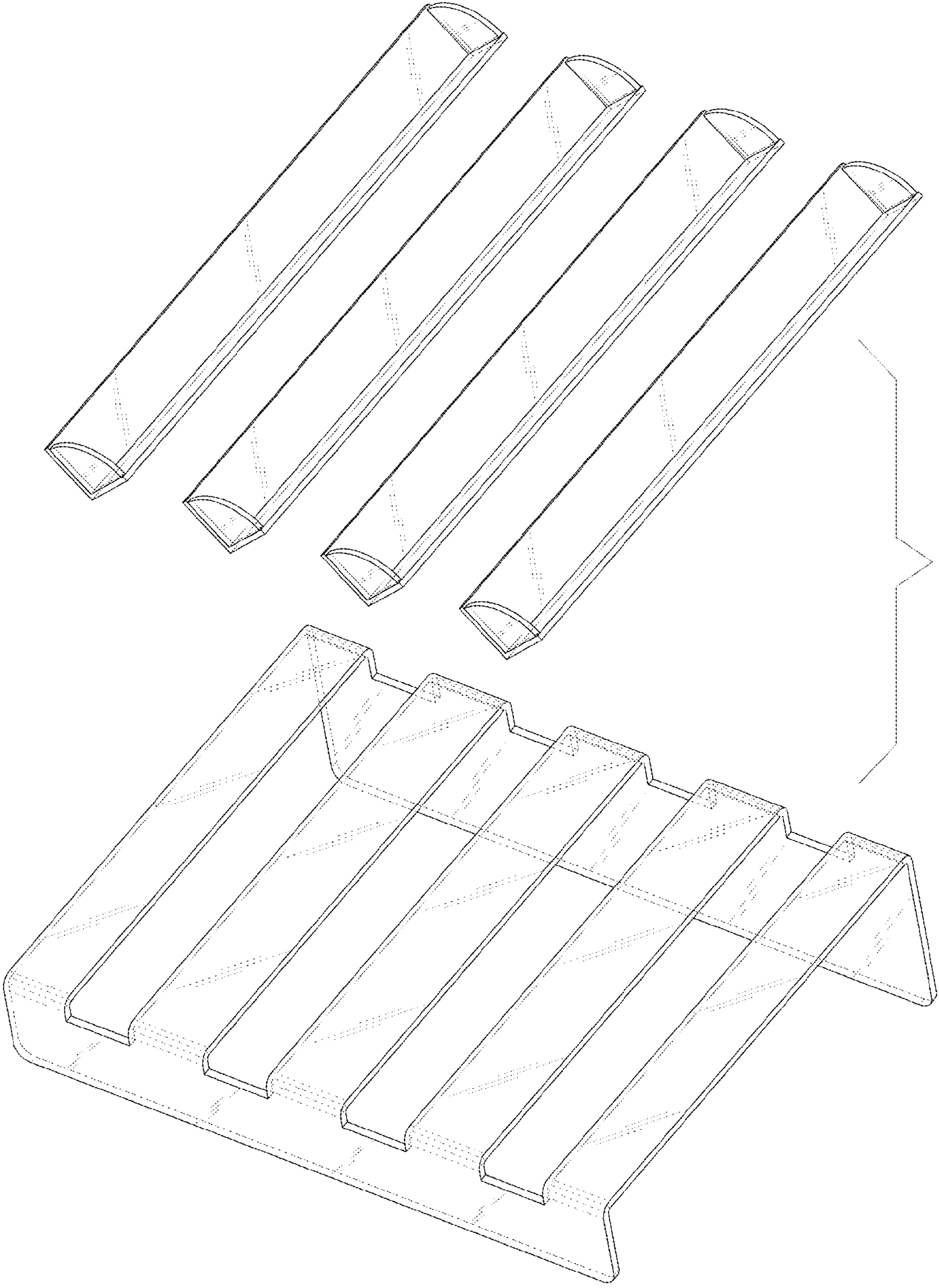


FIG. 2

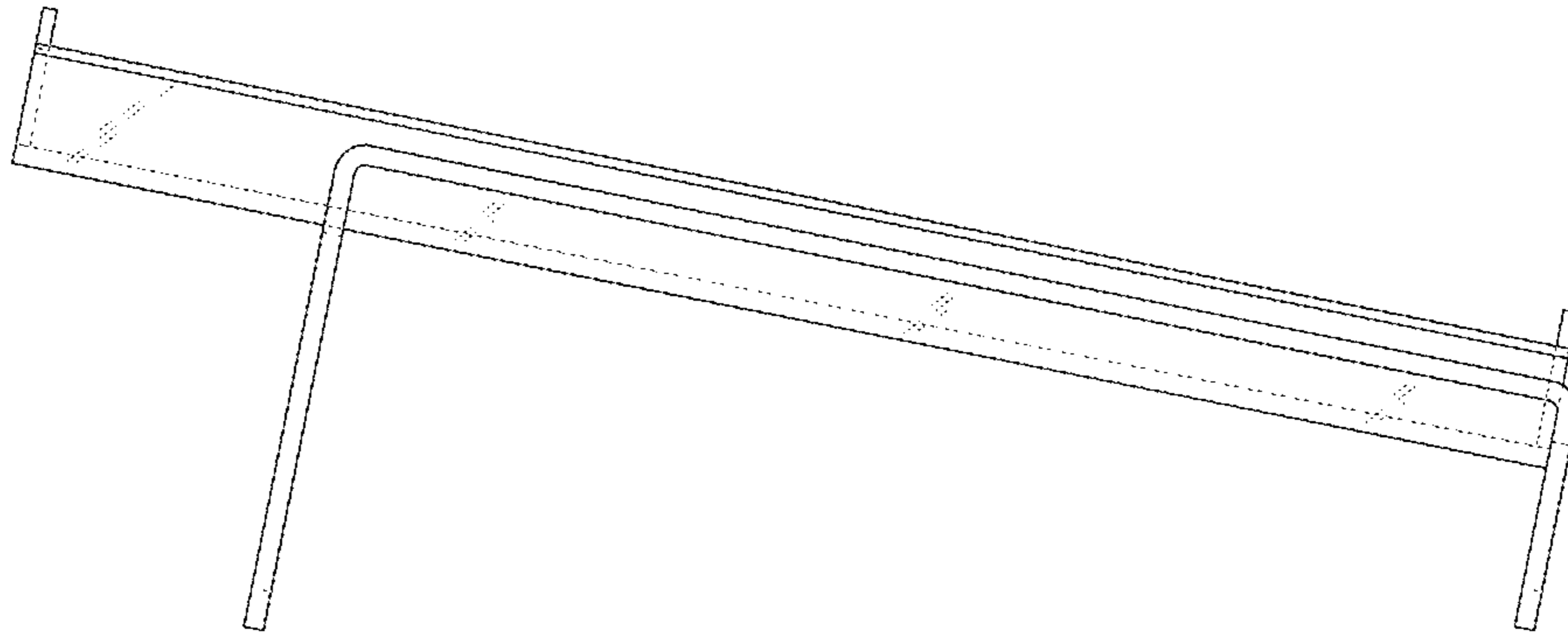


FIG.3

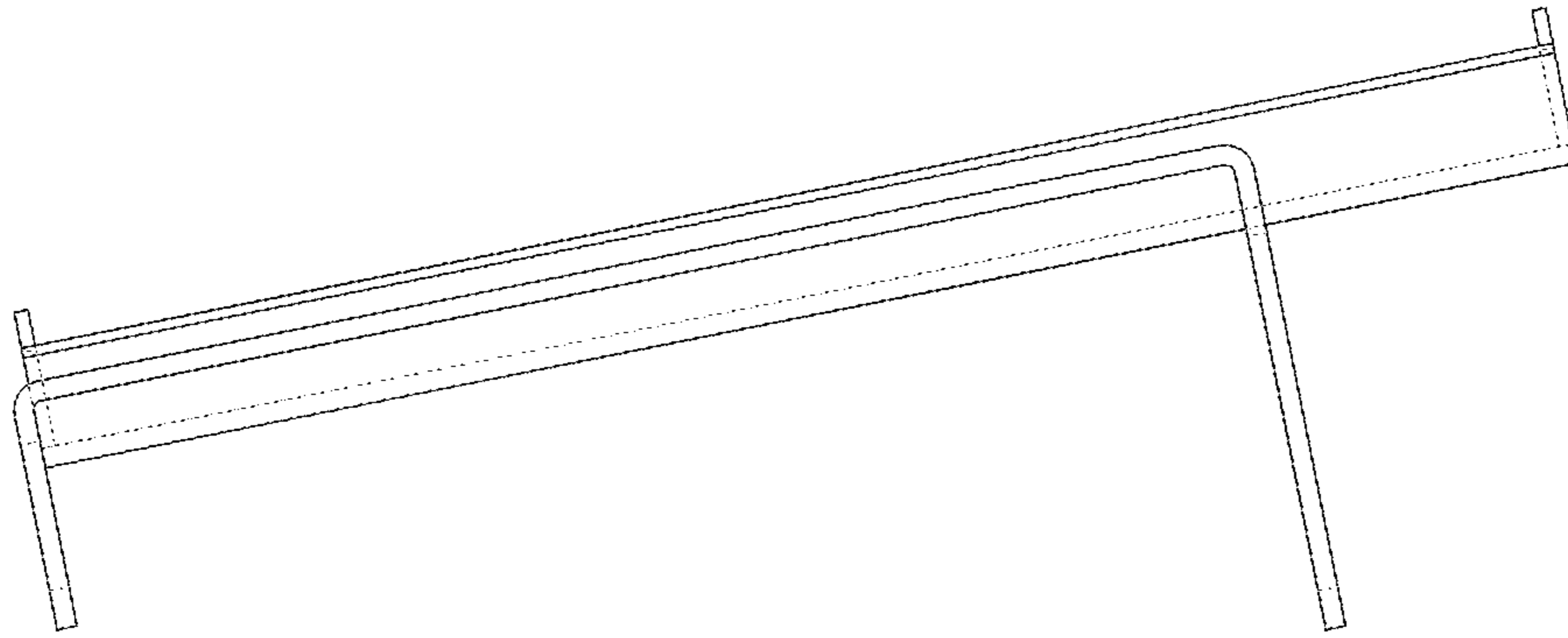


FIG.4

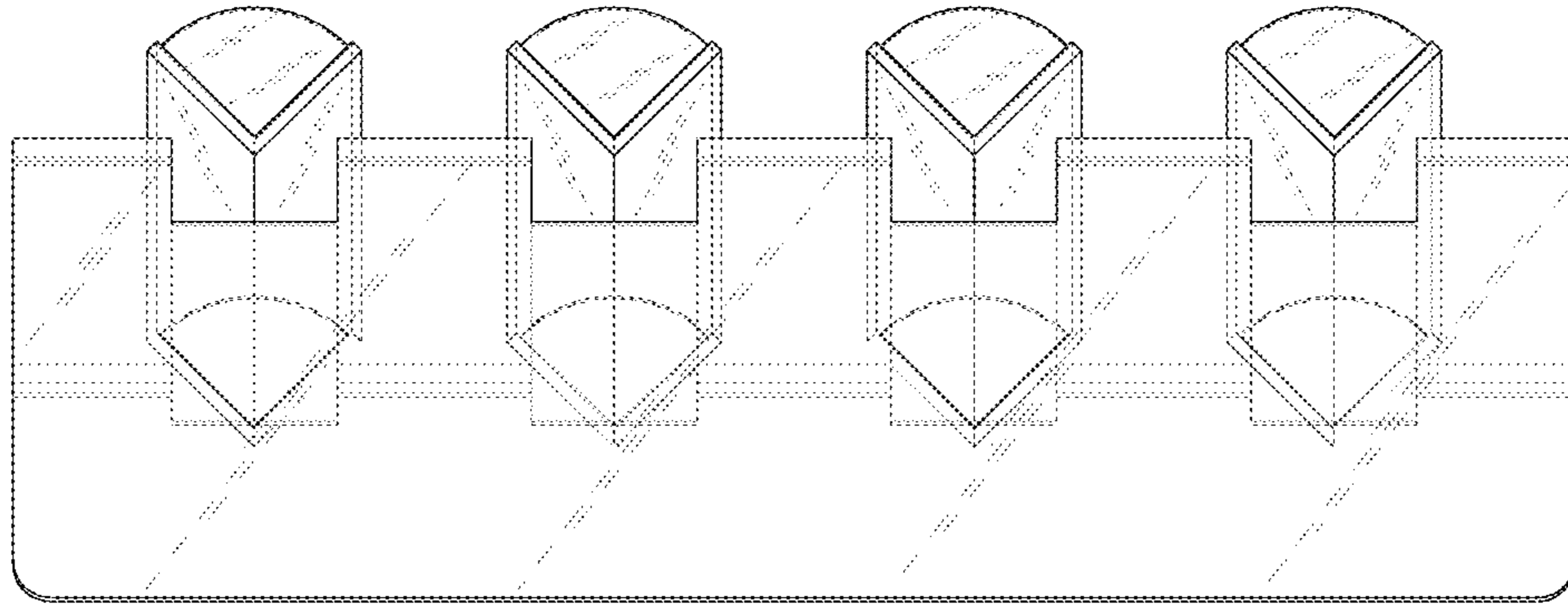


FIG. 5

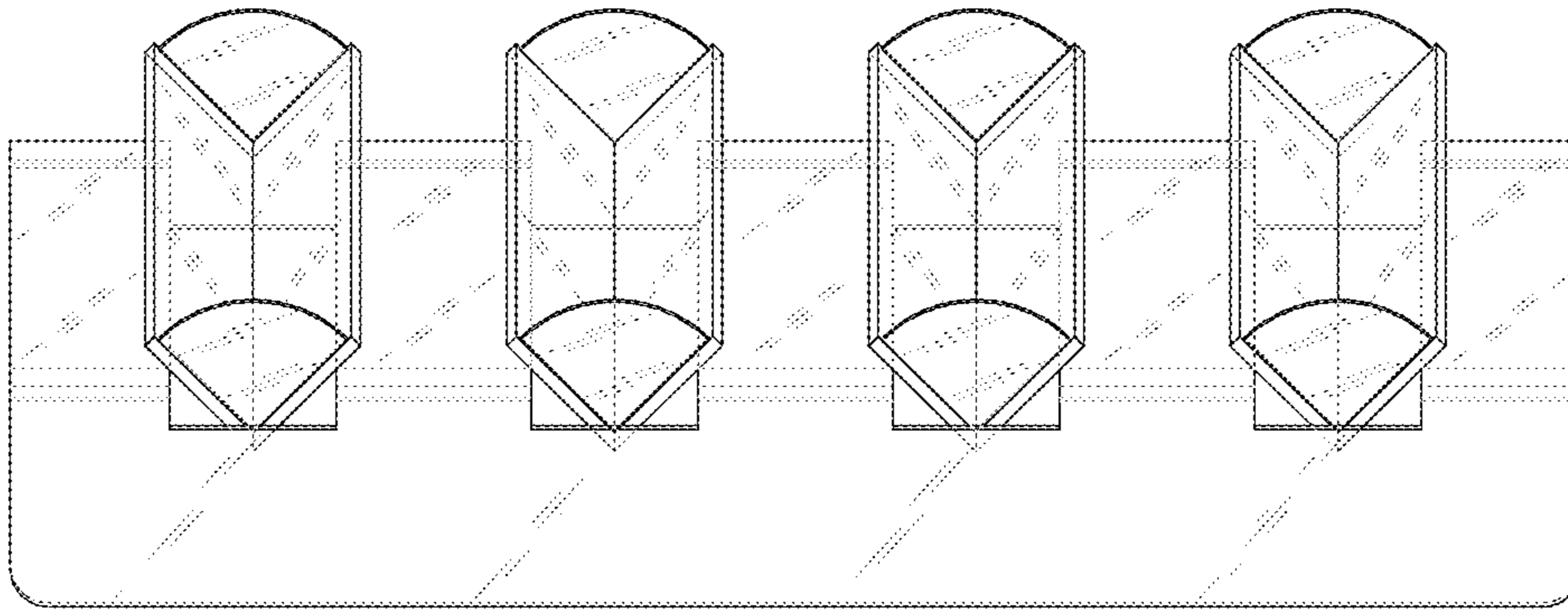


FIG. 6

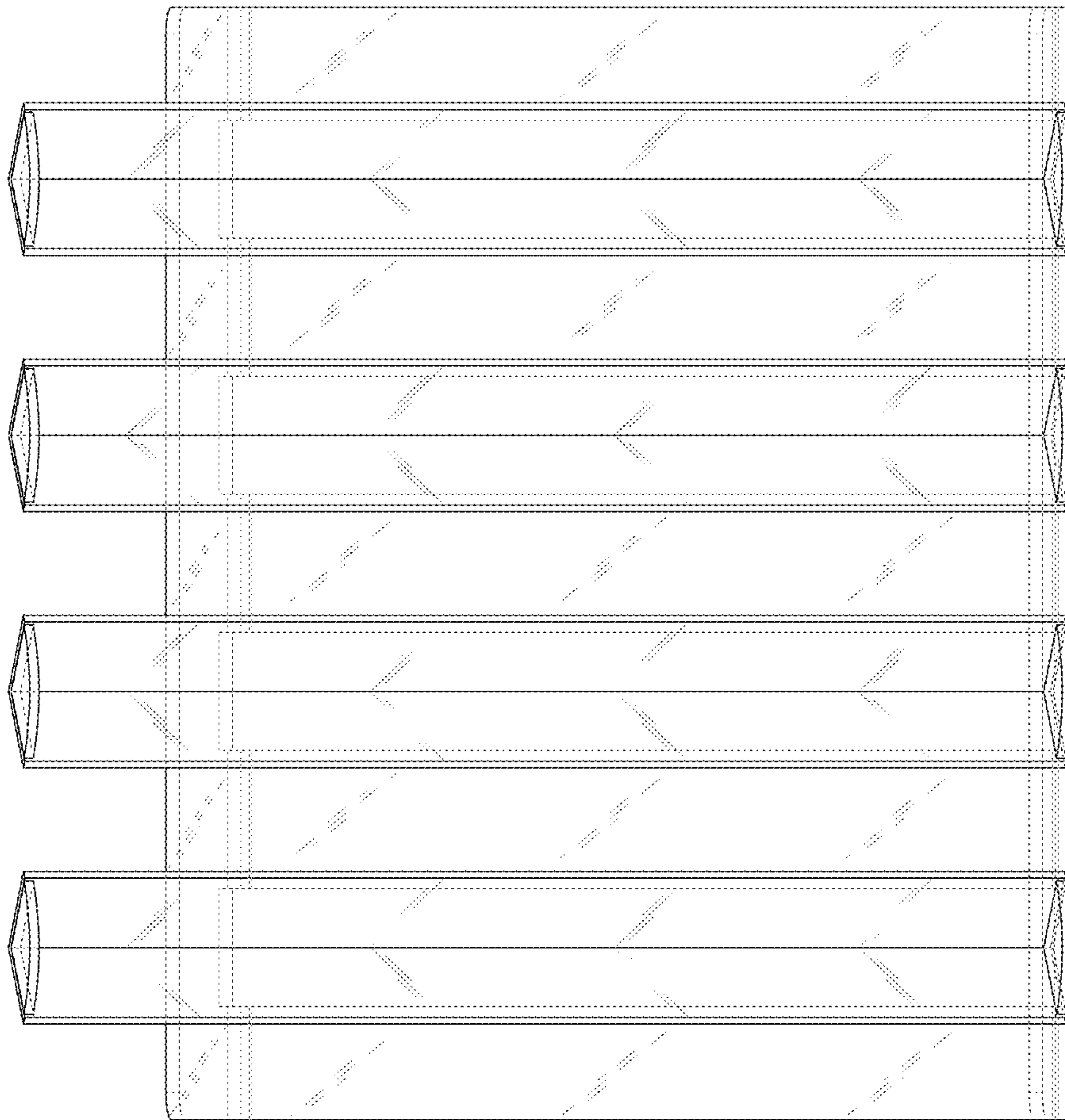


FIG. 7

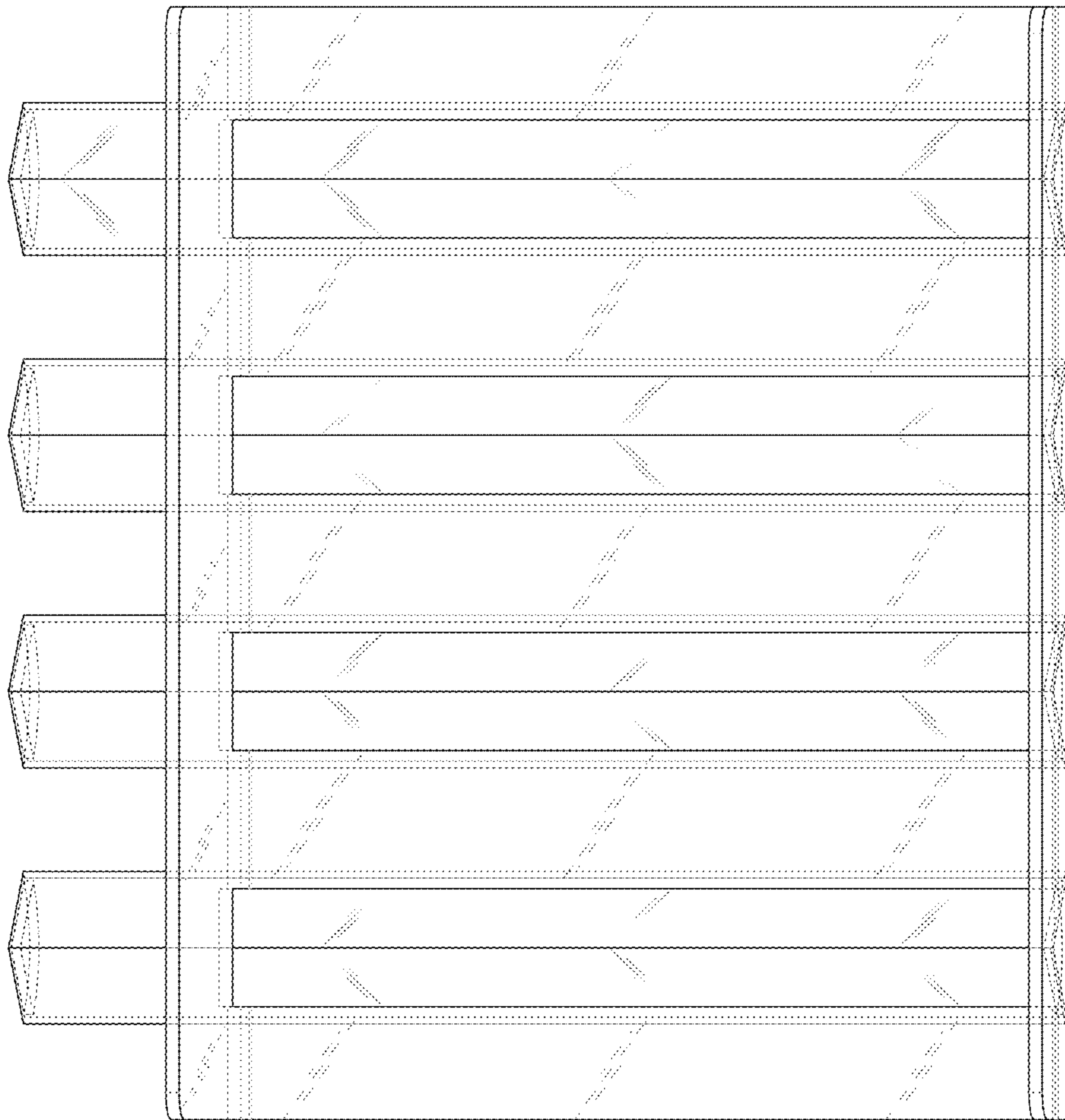


FIG. 8