



US00D976067S

(12) **United States Design Patent**
Huang

(10) **Patent No.:** **US D976,067 S**

(45) **Date of Patent:** **** Jan. 24, 2023**

(54) **PIZZA SHOVEL**

(71) Applicant: **Zhaobo Huang**, Zhejiang (CN)

(72) Inventor: **Zhaobo Huang**, Zhejiang (CN)

(**) Term: **15 Years**

(21) Appl. No.: **29/801,437**

(22) Filed: **Jul. 28, 2021**

(51) **LOC (14) Cl.** **07-04**

(52) **U.S. Cl.**
USPC **D7/688**

(58) **Field of Classification Search**
USPC D7/680-696, 393, 395, 368, 669
CPC A47J 43/288; A47J 43/00; A47J 43/28;
A21B 3/003

See application file for complete search history.

(56) **References Cited**

U.S. PATENT DOCUMENTS

D39,441 S *	8/1908	Bain	D7/688
1,728,211 A *	9/1929	McClellan	A47J 43/283 294/7
4,753,472 A *	6/1988	Fout	A47J 43/283 294/8
5,213,384 A *	5/1993	Baker	A21B 3/003 294/7

OTHER PUBLICATIONS

Amazon.com, Checkered Chef Pizza Paddle, ASIN: B07GSJKTVM, 12 pages, date first available Aug. 23, 2018 (Year: 2018).*
Amazon.com, Dimbrah Pizza Peel 16 inch Paddle SS Pizza Spatula, ASIN: B099R5QWR1, 9 pages, date first available Jul. 19, 2021 (Year: 2021).*

* cited by examiner

Primary Examiner — Terry A Wallace

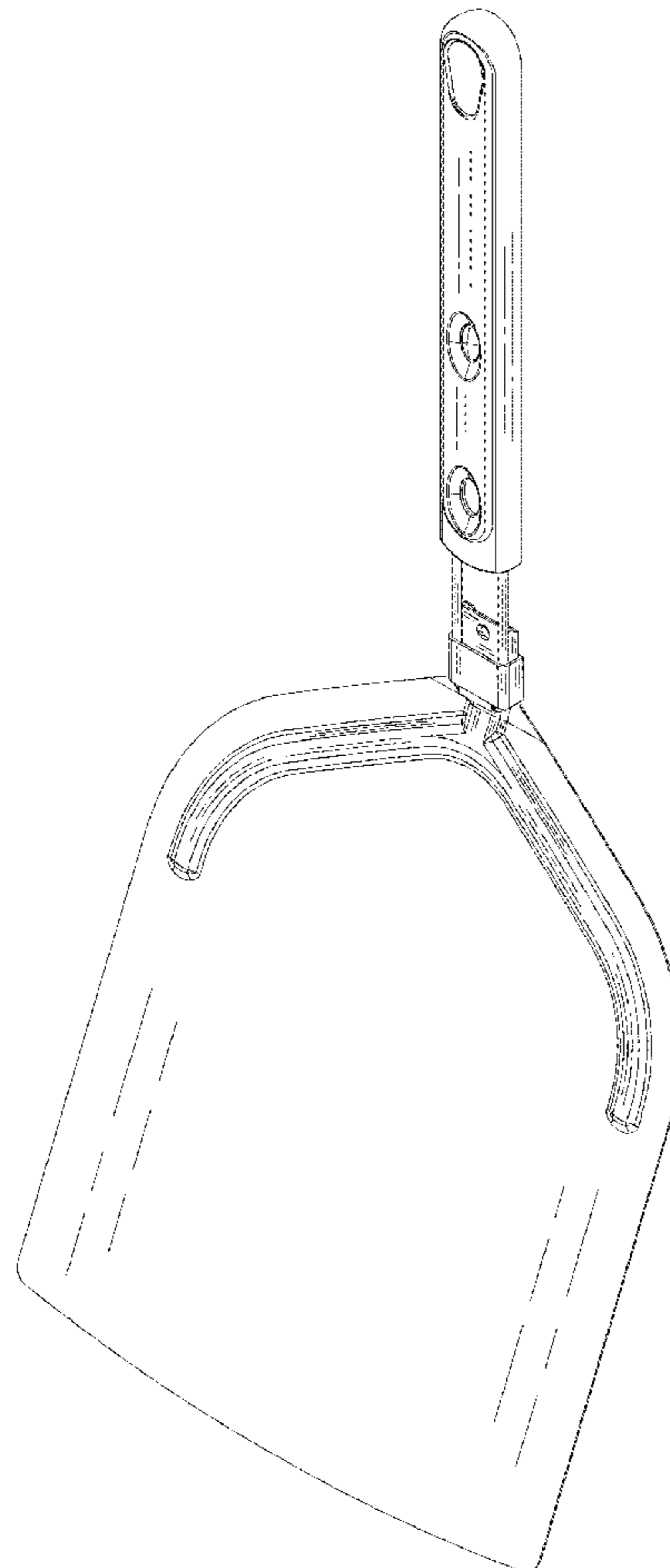
(57) **CLAIM**

The ornamental design for a pizza shovel, as shown and described.

DESCRIPTION

FIG. 1 is a perspective view of a pizza shovel showing my new design;
FIG. 2 is a front elevational view thereof;
FIG. 3 is a rear elevational view thereof;
FIG. 4 is a left side elevational view thereof;
FIG. 5 is a right side elevational view thereof;
FIG. 6 is a top plan view thereof; and,
FIG. 7 is a bottom plan view thereof.

1 Claim, 7 Drawing Sheets



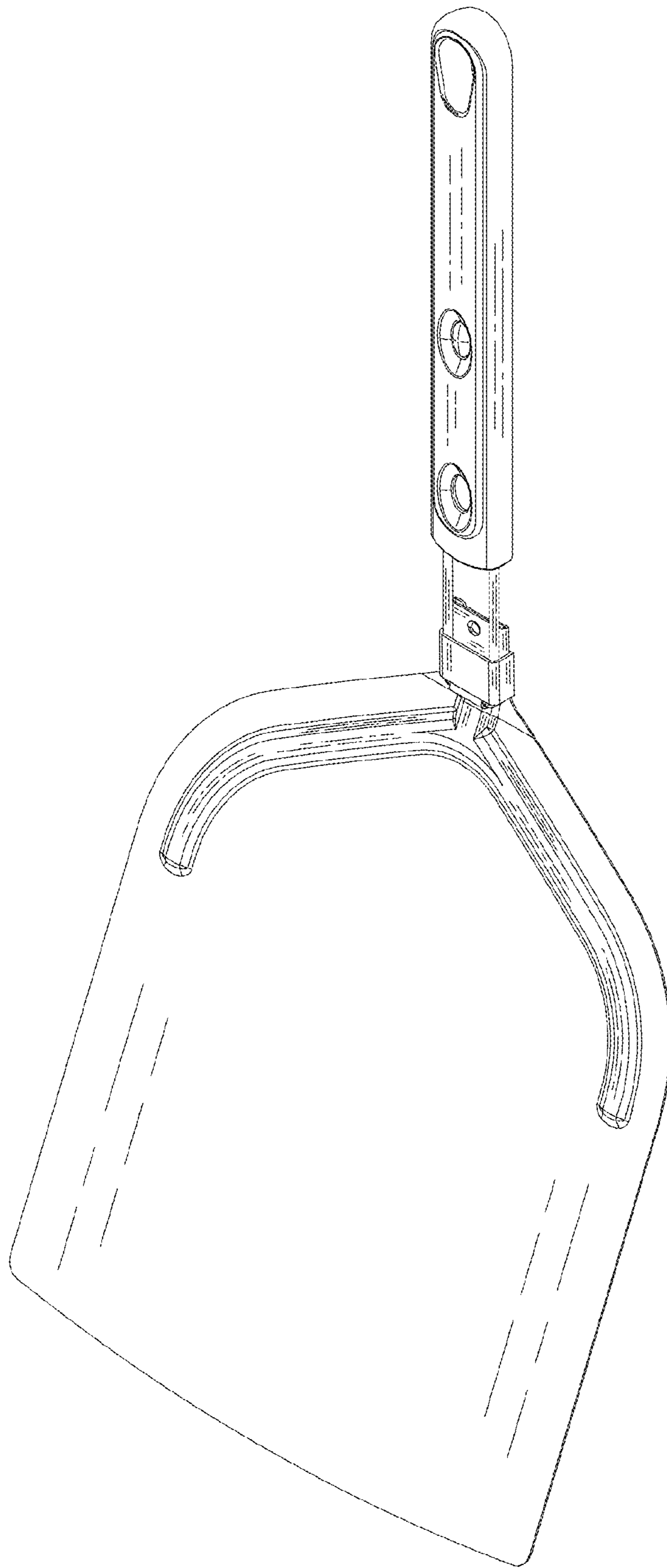


FIG.1

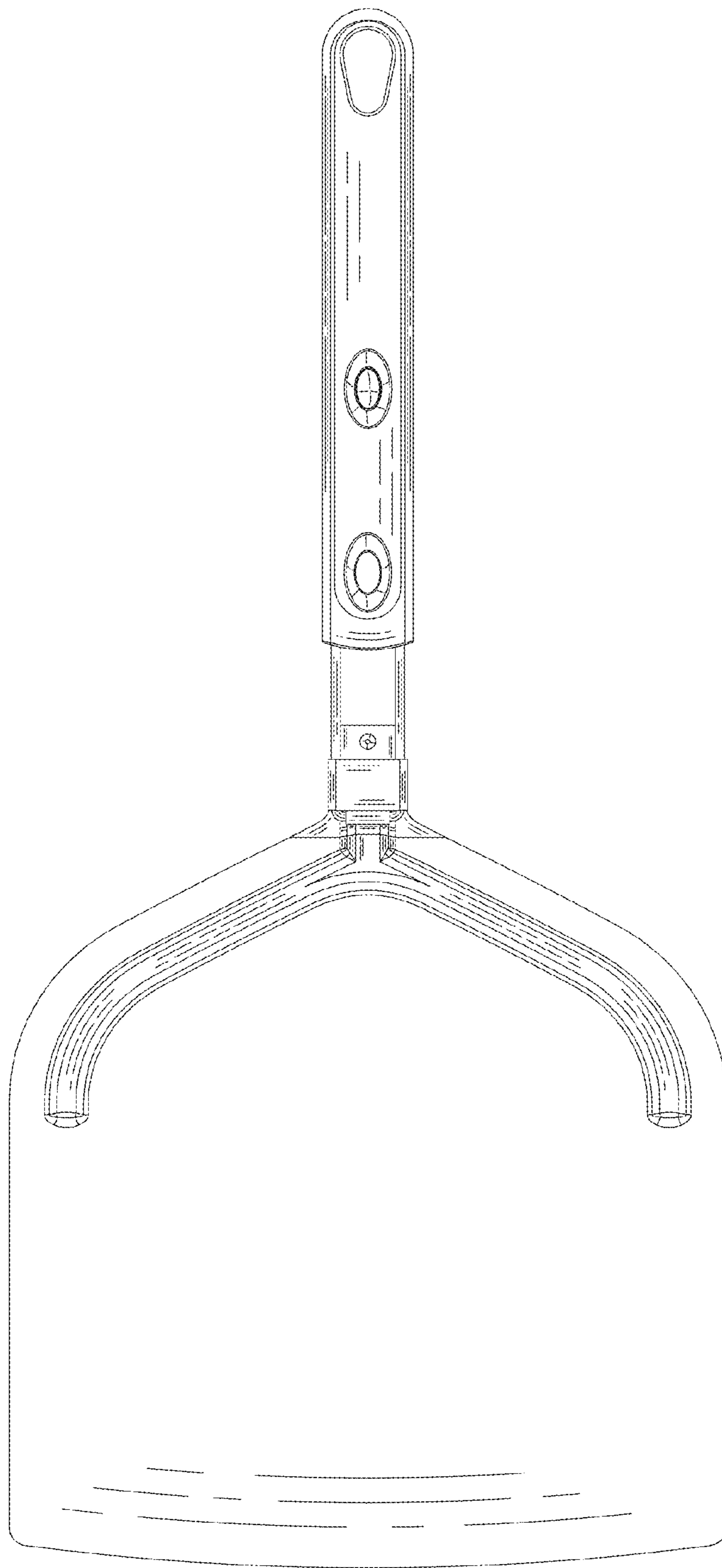


FIG.2

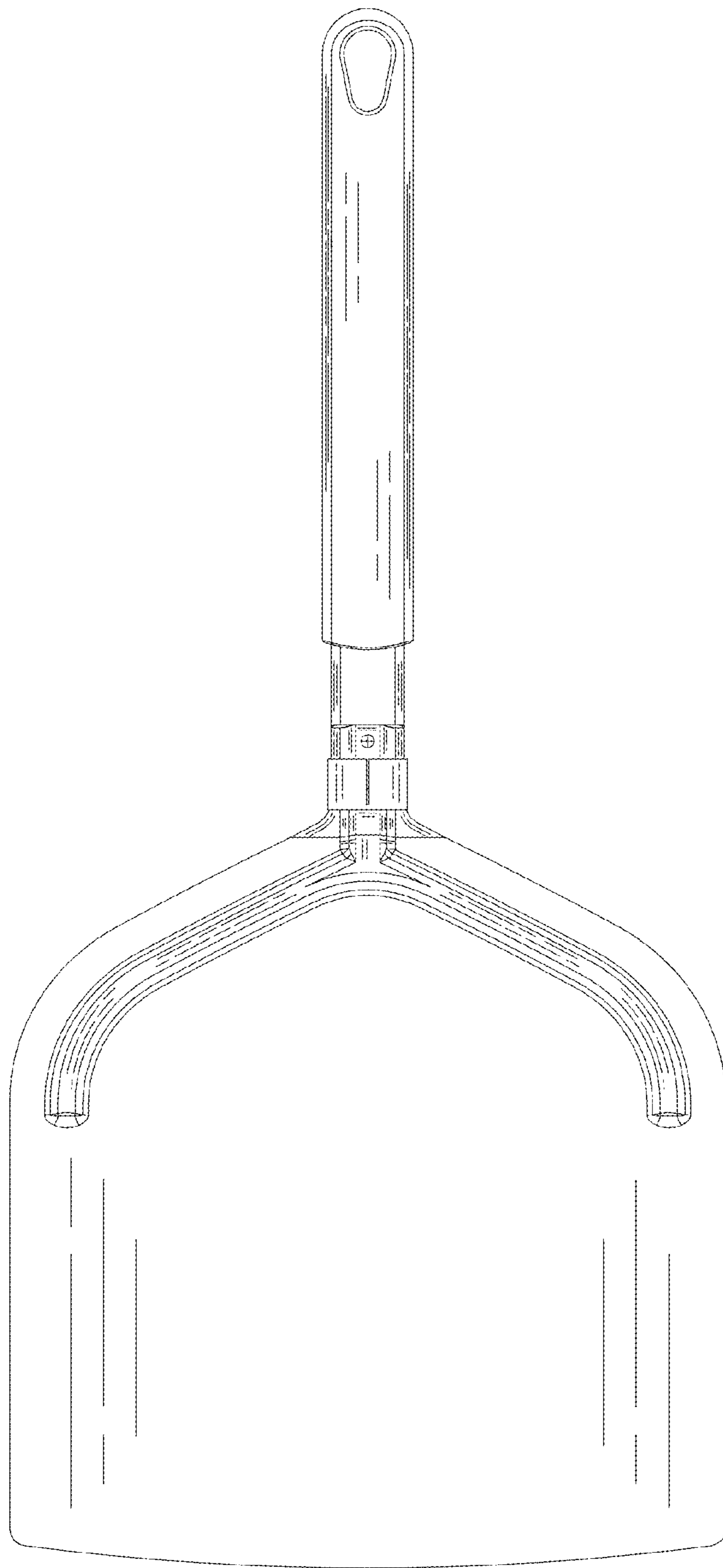


FIG.3

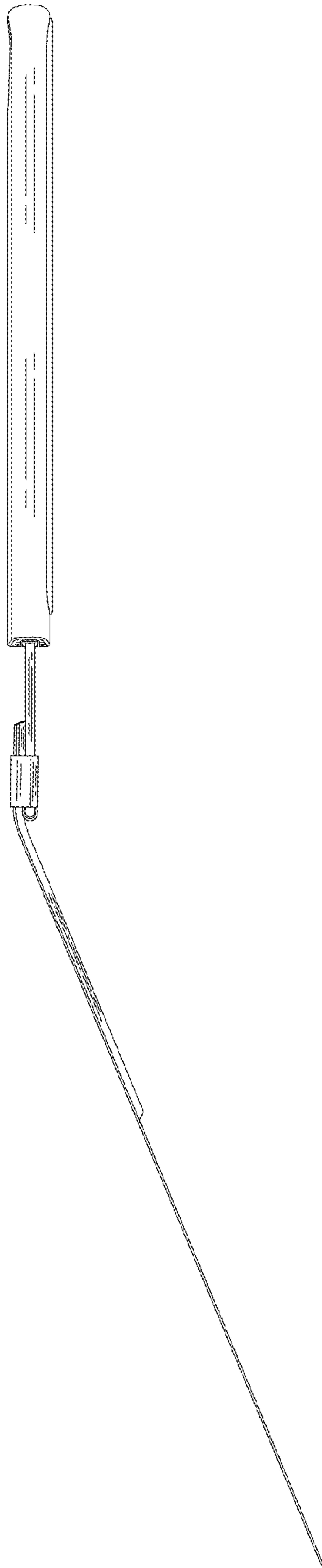


FIG.4

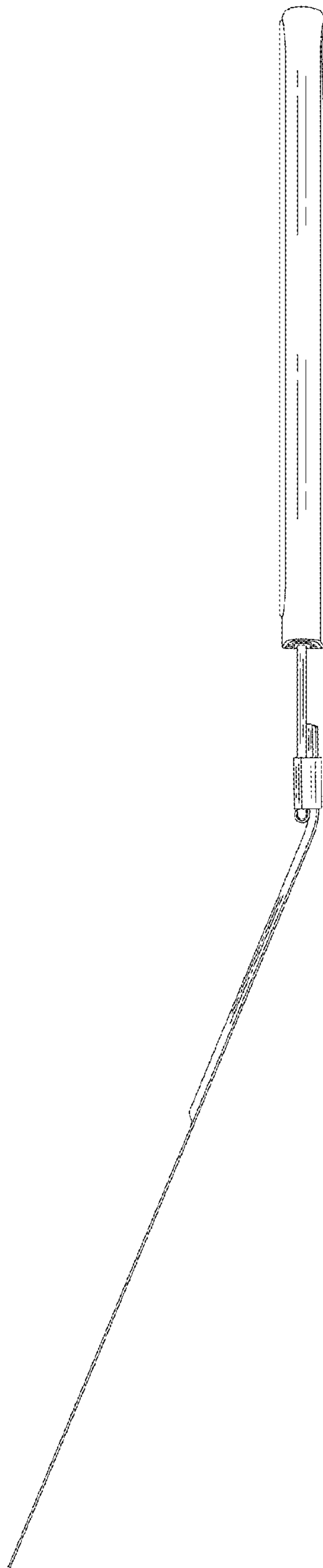


FIG.5

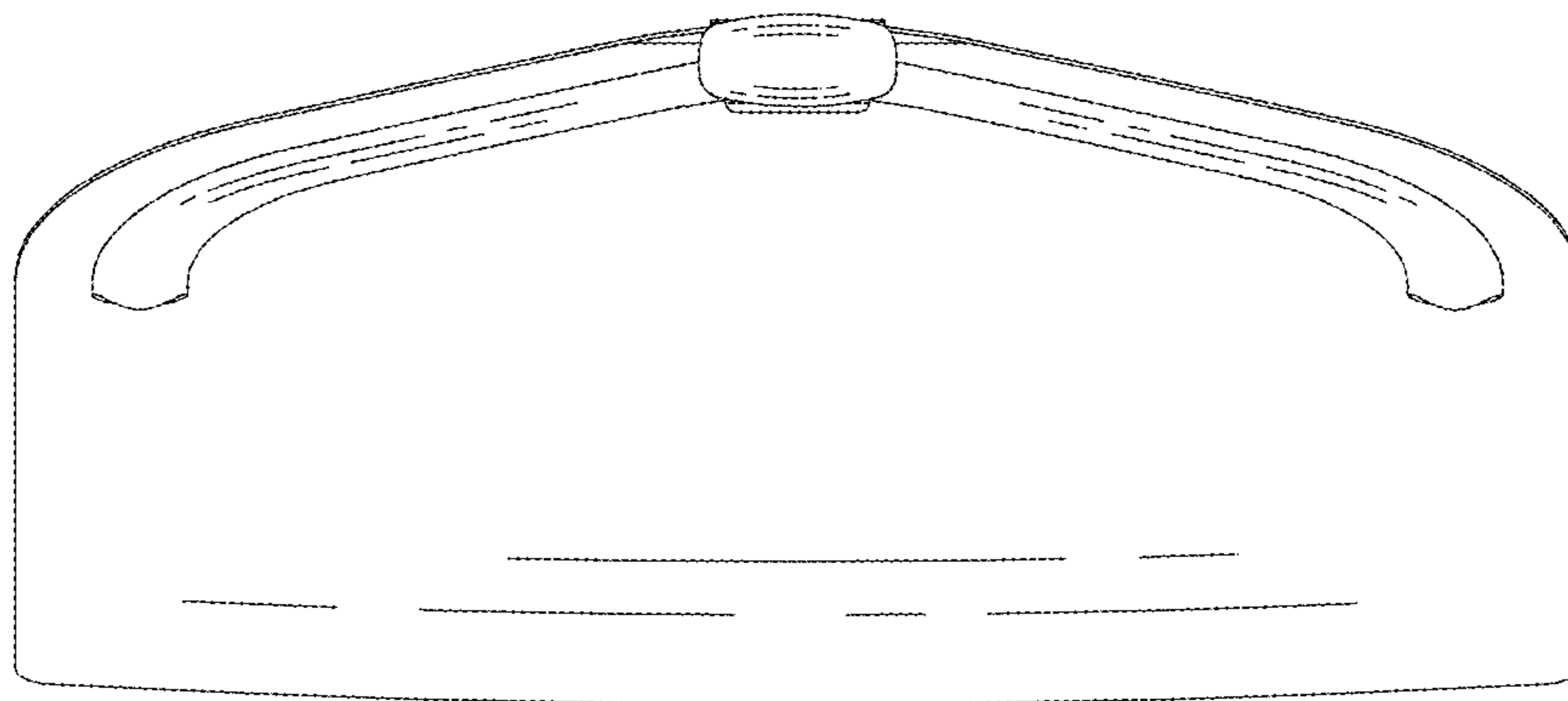


FIG.6

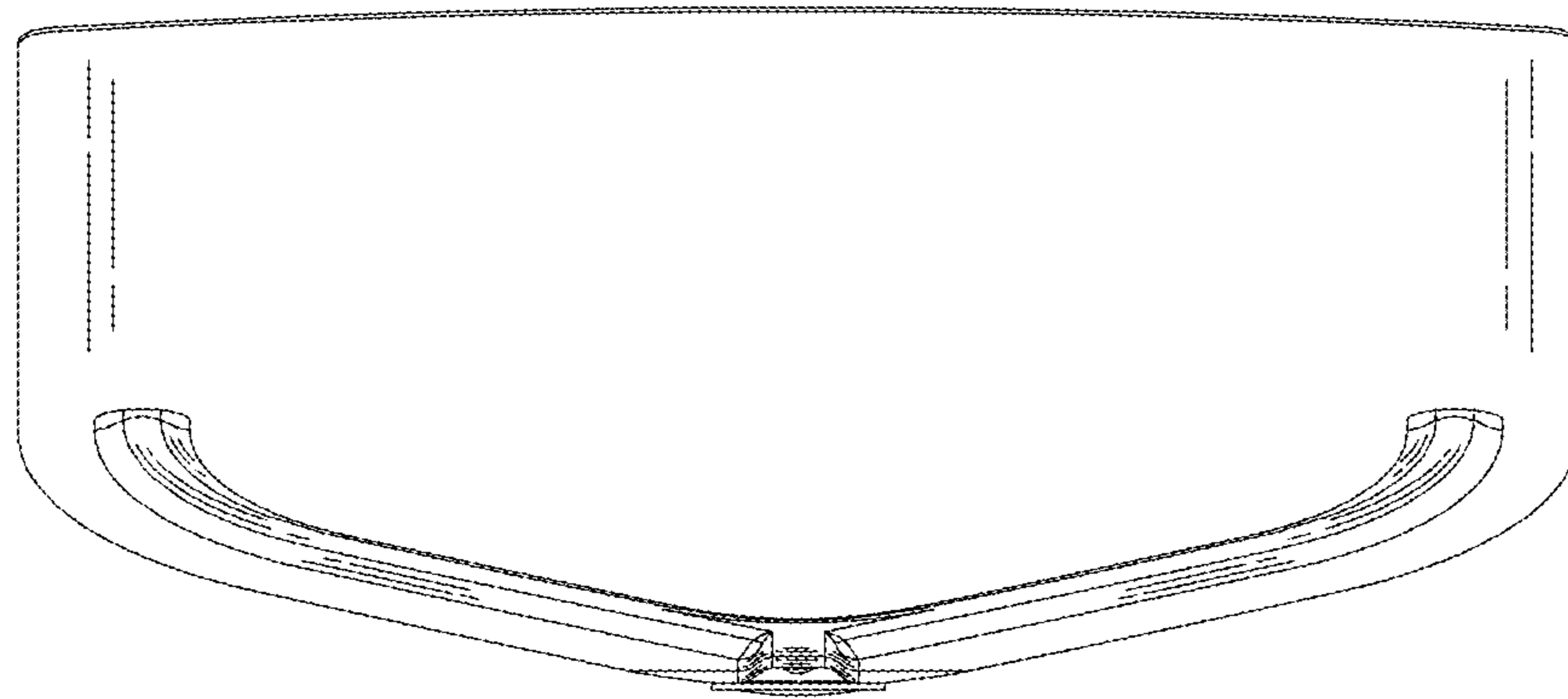


FIG.7