



US00D976065S

(12) **United States Design Patent**
Liu et al.

(10) **Patent No.:** **US D976,065 S**
(45) **Date of Patent:** **** Jan. 24, 2023**

- (54) **NON-DEFORMABLE WATERPROOF WOODEN SPOON**
- (71) Applicant: **DALIAN DAYLIGHT WOOD INDUSTRIES CO., LTD.**, Dalian (CN)
- (72) Inventors: **MinTian Liu**, Dalian (CN);
ChenGuang Liu, Dalian (CN);
GuoMing Liu, Dalian (CN)
- (73) Assignee: **DALIAN DAYLIGHT WOOD INDUSTRIES CO., LTD.**, Dalian (CN)

D234,017 S * 12/1974 Hubert et al. D7/653
 D289,564 S * 4/1987 Harford D28/7
 D491,419 S * 6/2004 White D7/688
 D719,790 S * 12/2014 Grcic D7/653

(Continued)

FOREIGN PATENT DOCUMENTS

CN 305857467 6/2020
 CN 307052929 * 1/2022
 CN 3260209 10/2022

(Continued)

OTHER PUBLICATIONS

Made In China Eco-Friendly Compostable Paper Forks Spoons, posted date unknown [online], [retrieved Sep. 14, 2022]. Retrieved on internet, <https://m.made-in-china.com/product/Eco-Friendly-Compostable-Paper-Forks-Spoons-Knife-Disposable-Cutlery-for-Restaurant-1949904785.html>.*

(Continued)

Primary Examiner — Nicole C Shiflet
Assistant Examiner — Yen Le Southwood
 (74) *Attorney, Agent, or Firm* — Hauptman Ham, LLP

- (**) Term: **15 Years**
- (21) Appl. No.: **29/794,396**
- (22) Filed: **Jun. 11, 2021**
- (30) **Foreign Application Priority Data**

Mar. 12, 2021 (CN) 202130133574.7

- (51) **LOC (14) Cl.** **07-03**
- (52) **U.S. Cl.**
USPC **D7/653**

- (58) **Field of Classification Search**
USPC D4/120; D7/395, 401.2, 642–645, 646,
D7/647–650, 669, 681–683, 688–689,
D7/691–695, 651–664; D8/98, 107;
D22/117–118
CPC A47J 43/281; A47J 43/28; A47J 43/283;
A47J 43/288; A47J 17/02; A47G 21/00;
A47G 21/004; A47G 21/02; A47G
21/023; A47G 21/04; A47G 21/06; A47G
21/005; A61J 7/0023; B26B 3/00; B65D
77/245

See application file for complete search history.

- (56) **References Cited**

U.S. PATENT DOCUMENTS

1,435,890 A * 11/1922 Bothe A47G 21/04
30/328
D61,869 S * 2/1923 Bothe 30/328

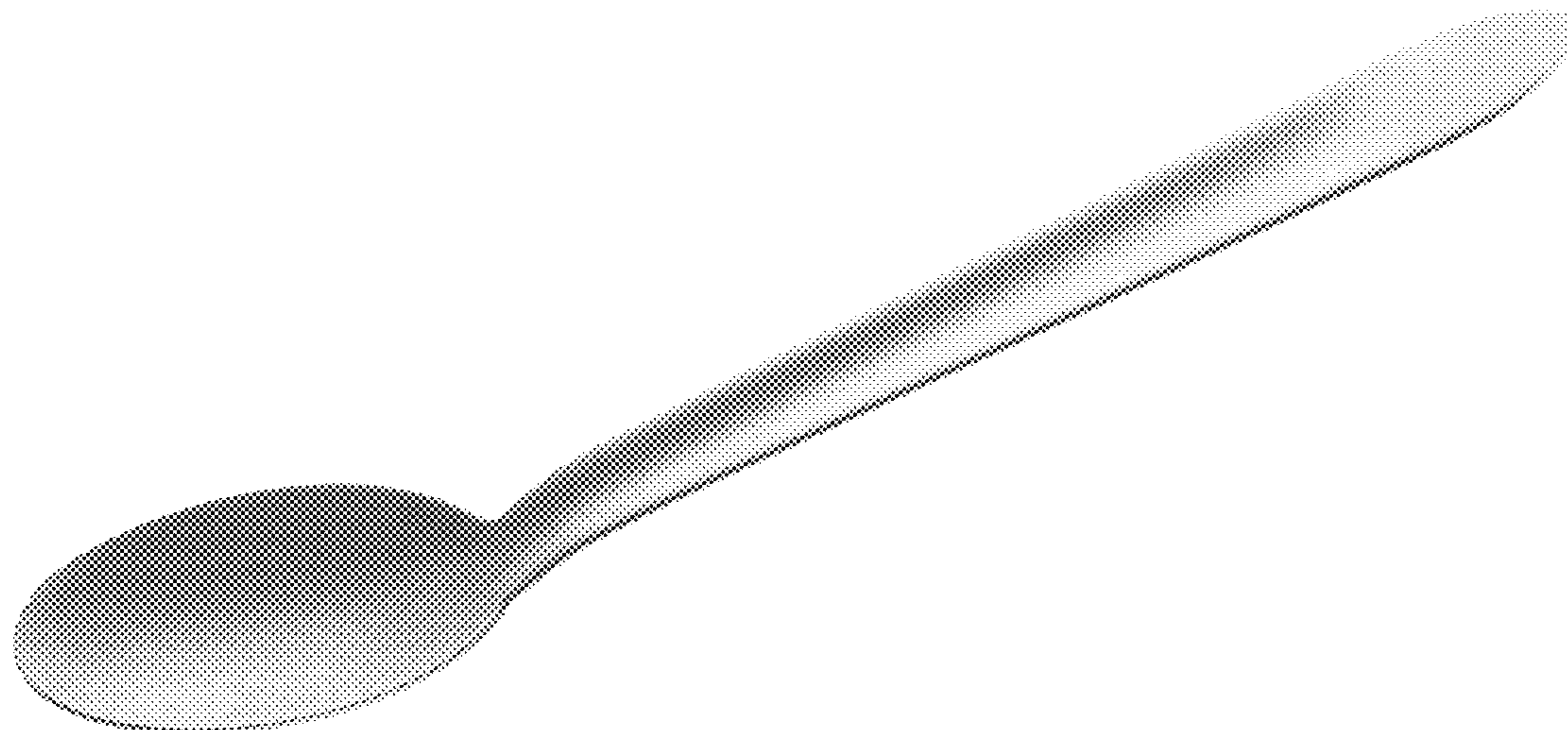
- (57) **CLAIM**

The ornamental design for a non-deformable waterproof wooden spoon, as shown.

DESCRIPTION

FIG. 1 is a perspective view of a non-deformable waterproof wooden spoon showing our new design;
 FIG. 2 is a front view thereof;
 FIG. 3 is a rear view thereof;
 FIG. 4 is a top view thereof;
 FIG. 5 is a bottom view thereof;
 FIG. 6 is a left side view thereof; and,
 FIG. 7 is a right side view thereof.

1 Claim, 6 Drawing Sheets



(56)

References Cited

U.S. PATENT DOCUMENTS

D959,933 S * 8/2022 Tehrani D7/688

FOREIGN PATENT DOCUMENTS

GB	6130928	4/2021
GB	6130929	* 4/2021
GB	6194875	* 3/2022
JP	D1710277	* 3/2022

OTHER PUBLICATIONS

Made In China Silicone Cutlery Box, posted date unknown [online], [retrieved Sep. 14, 2022]. Retrieved on internet, <https://m.made-in-china.com/product/Silicone-Cutlery-Box-304-Stainless-Steel-Knife-Fork-and-Spoon-Portable-Cutlery-Set-Spoon-Chopsticks-Set-2002440515.html>.*

Biodeck Wooden Spoons, posted date unknown [online], [retrieved Sep. 9, 2022]. Retrieved on internet, <https://www.biodeck.com/en/cutlery/1248-wooden-spoons-165-cm-12-pcs.html>.

Indiamart 12 Pieces Natural Disposable Wooden Spoon, posted date unknown [online], [retrieved Sep. 9, 2022] Retrieved on internet, <https://www.indiamart.com/proddetail/disposable-wooden-spoon-22241059912.html>.

La Fiesta de Olivia Wooden Soup Spoon, posted on Jul. 3, 2016 [online], [retrieved Sep. 9, 2022] Retrieved on internet, <https://lafiestadeolivia.com/collections/cubiertos/products/cuchara-sopera-de-madera-1-ud> (Year: 2016).

Alpine Shop Sea to Summit Alpha Light Set, posted on Dec. 28, 2016 [online], [retrieved Sep. 14, 2022] Retrieved on internet, <https://www.alpineshop.com/sea-to-summit/sea-to-summit-alpha-light-set-fork-spoon-knife-37649> (Year: 2016).

Kaya Collection 6.5 Natural Birch Eco-Friendly Disposable Dinner Forks (600 Forks), posted date unknown [online], [retrieved Sep. 12, 2022]. Retrieved on internet, <https://www.orientaltrading.com/kaya-collection-6-5-natural-birch-eco-friendly-disposable-dinner-forks-600-forks-a2-14144796.fltr>.

Amazon WFPLUS 100 Pcs Disposable Wooden Spoons, posted on Oct. 17, 2018 [online], [retrieved on Sep. 12, 2022]. Retrieved on internet, <https://www.amazon.com/dp/B07JH8V1YM?tag=luckytaker-20> (Year: 2018).

Notice of Allowance issued in related Design U.S. Appl. No. 29/794,393; dated Sep. 30, 2022; 9 pgs.

* cited by examiner

FIG. 1

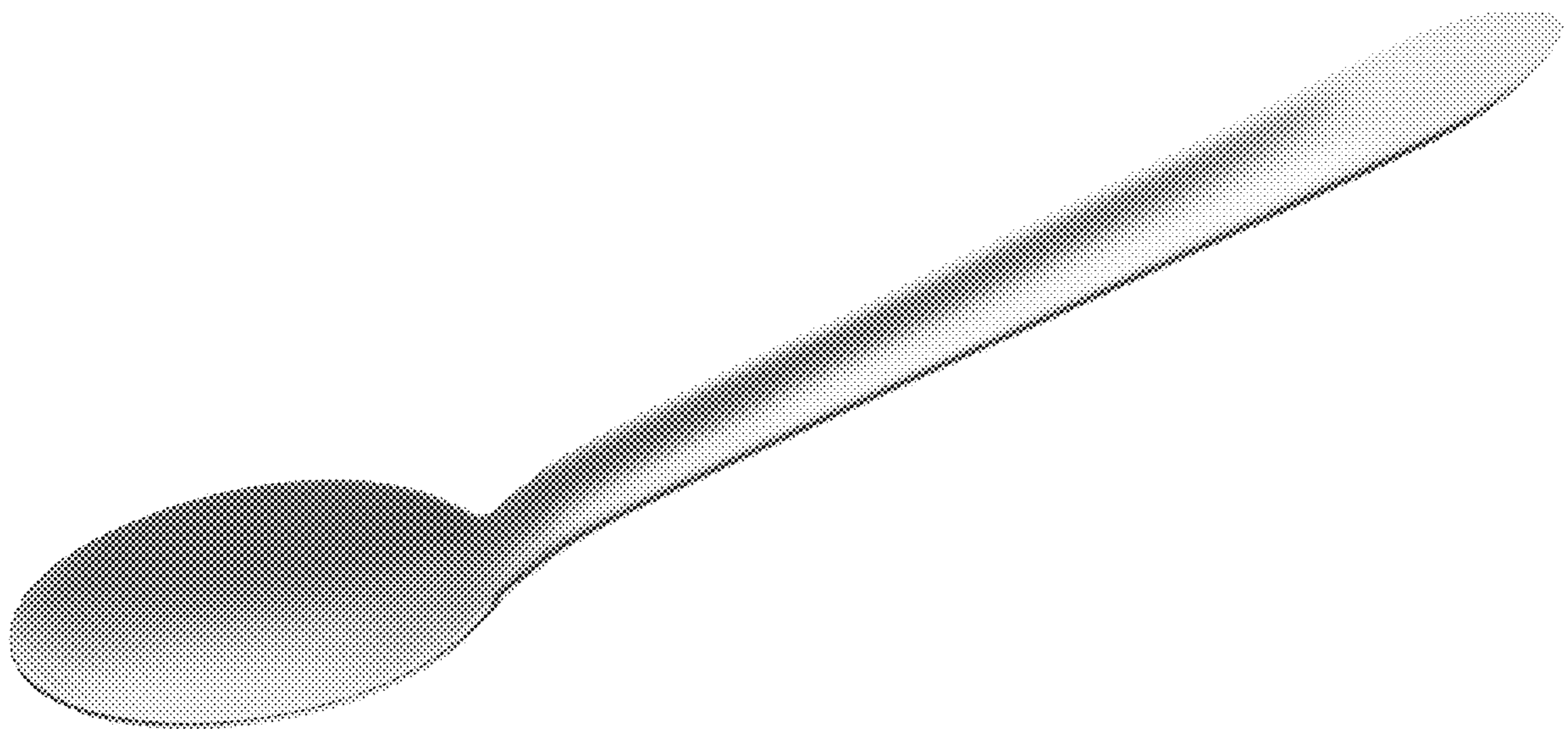


FIG. 2

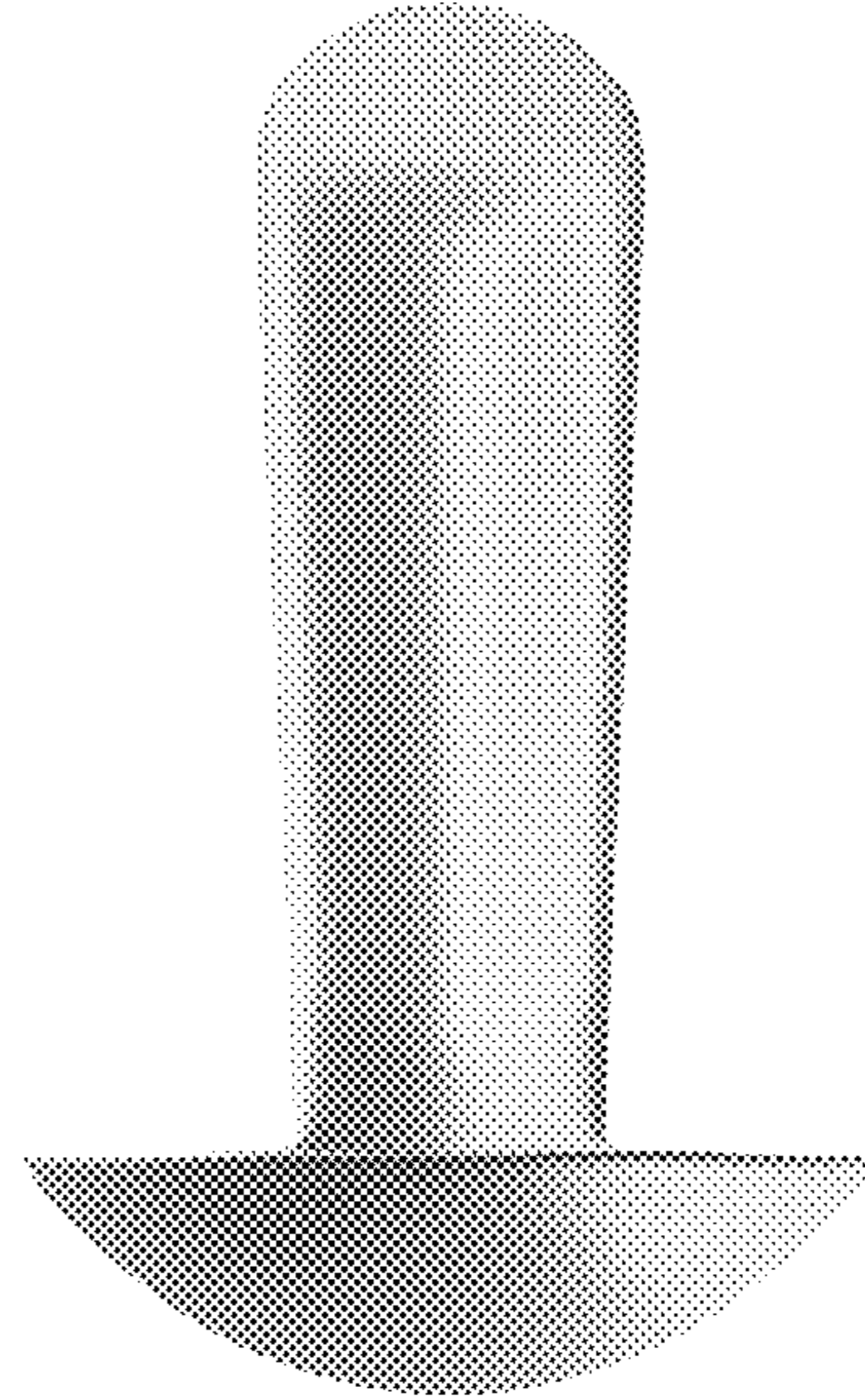


FIG. 3

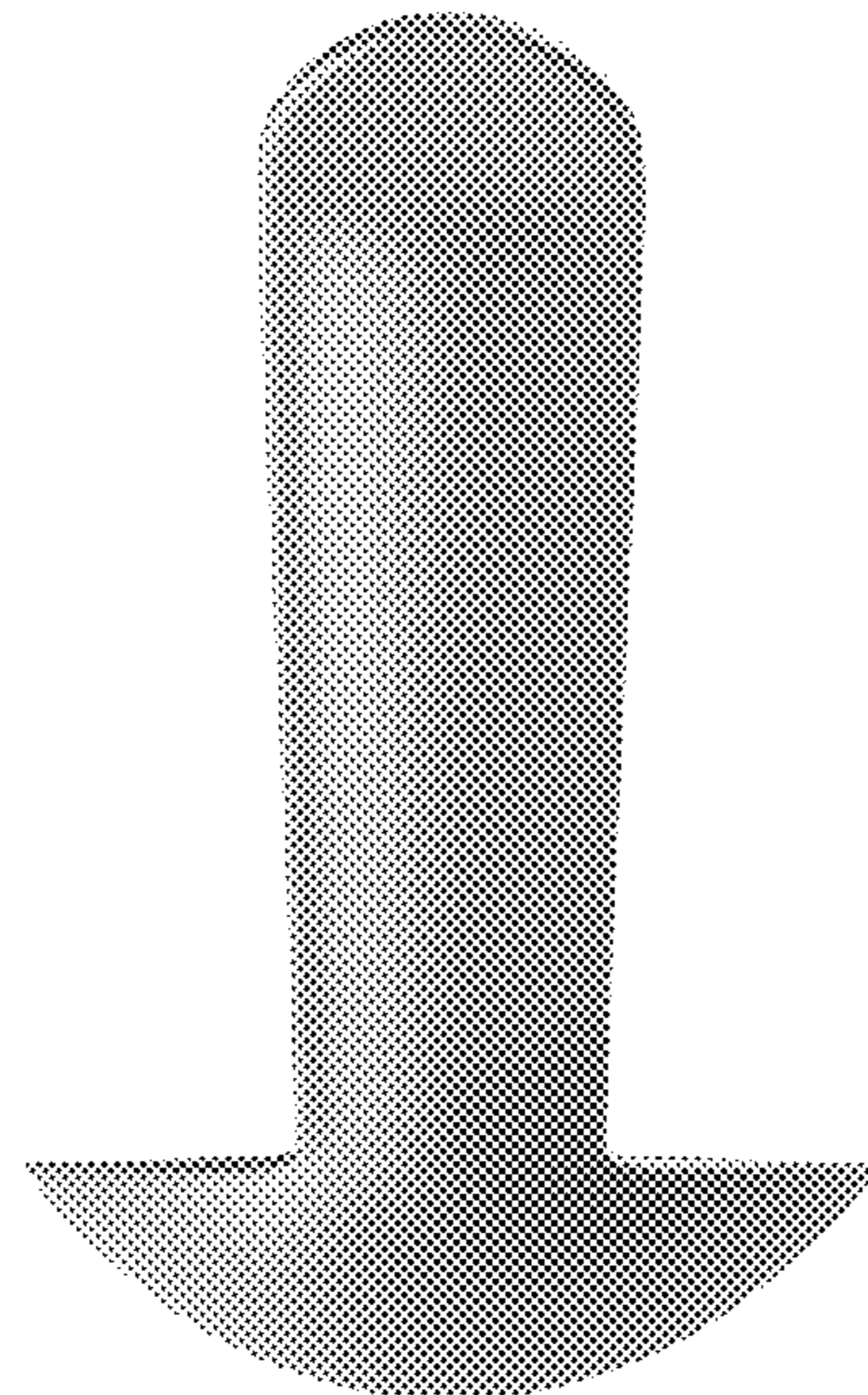


FIG. 4

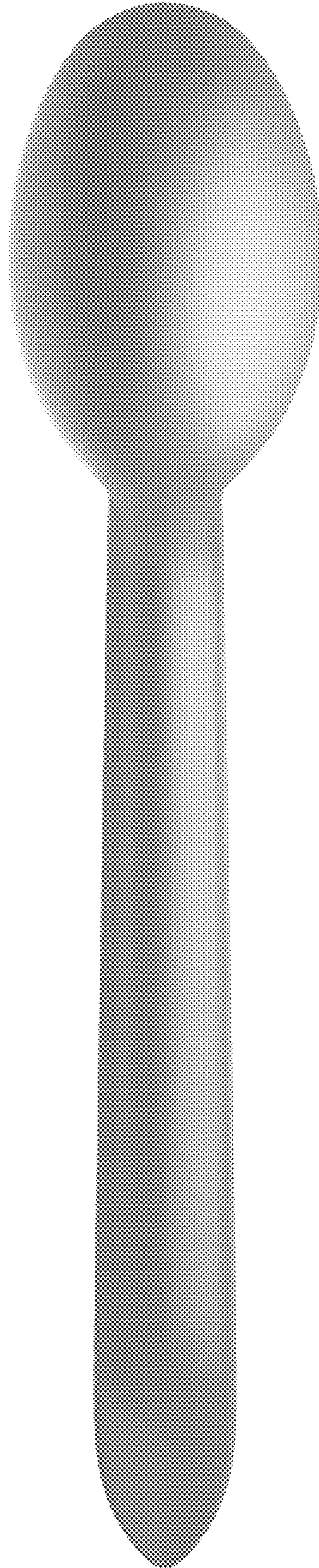


FIG. 5

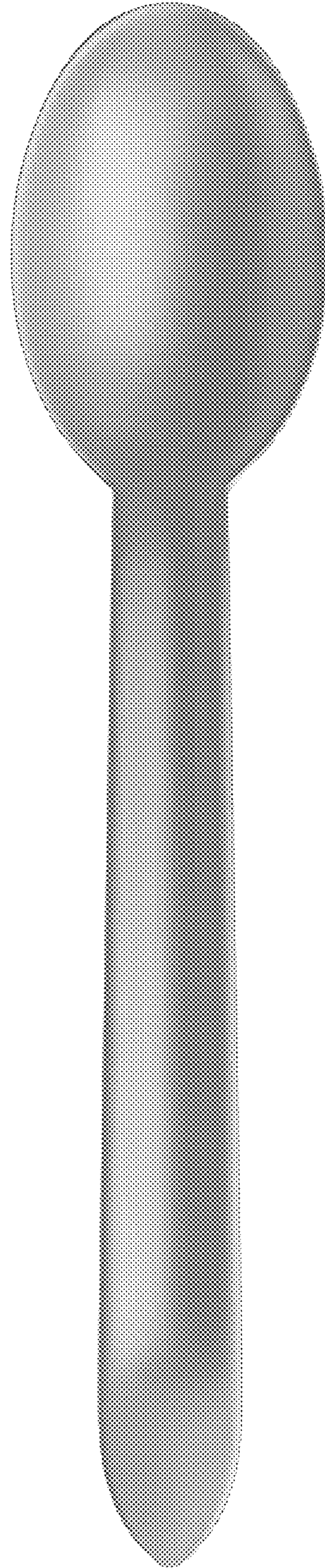


FIG. 6

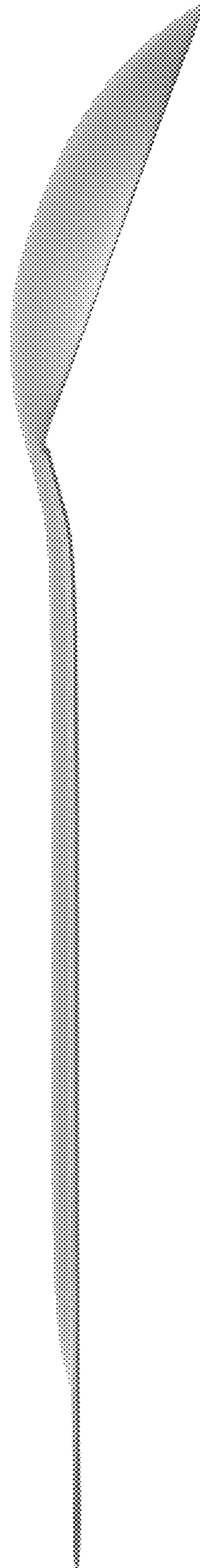


FIG. 7

