



US00D976062S

(12) **United States Design Patent**  
**Fang**

(10) **Patent No.:** **US D976,062 S**  
(45) **Date of Patent:** **\*\* Jan. 24, 2023**

(54) **SET OF FORK, SPOON AND KNIFE**

(71) Applicant: **Zhenhua Fang**, Guangzhou (CN)

(72) Inventor: **Zhenhua Fang**, Guangzhou (CN)

(\*) Notice: Patent file contains an affidavit/declaration under 37 CFR 1.130(b).

(\*\*) Term: **15 Years**

(21) Appl. No.: **29/805,087**

(22) Filed: **Aug. 25, 2021**

(51) **LOC (14) Cl.** ..... **07-03**

(52) **U.S. Cl.**

USPC ..... **D7/645**; D7/401.2; D7/642; D7/653

(58) **Field of Classification Search**

USPC ..... D7/368, 401.2, 642-645, 653-664, 669, D7/675-677, 681, 683, 688-689, 691; D8/107, 300-301; D22/117-118

(Continued)

(56) **References Cited**

**U.S. PATENT DOCUMENTS**

D126,117 S \* 3/1941 Warren ..... D7/661

D131,670 S \* 3/1942 Nock ..... D7/661

(Continued)

**OTHER PUBLICATIONS**

Keawell Luxury 20 Pieces 18/10 Stainless Steel Flatware set. Date First Available on Amazon.com May 27, 2021. <https://www.amazon.com/KEAWELL-Stainless-Flatware-Silverware-Dishwasher/dp/B093B7XXZR/ref> (Year: 2021).\*

*Primary Examiner* — Ricky Pham

(57) **CLAIM**

The ornamental design for a set of fork, spoon and knife, as shown and described.

**DESCRIPTION**

FIG. 1 is a front and top perspective view of a first embodiment of a set of fork, spoon and knife, showing my new design;

FIG. 2 is a rear and bottom perspective view thereof;  
FIG. 3 is a front elevation view thereof;  
FIG. 4 is a rear elevation view thereof;  
FIG. 5 is a left side elevation view thereof;  
FIG. 6 is a right side elevation view thereof;  
FIG. 7 is a top plan view thereof;  
FIG. 8 is a bottom plan view thereof;  
FIG. 9 is an enlarged view of a portion labeled, 'FIG. 9' in FIG. 1;  
FIG. 10 is an enlarged view of a portion labeled, 'FIG. 10' in FIG. 1;  
FIG. 11 is an enlarged view of a portion labeled, 'FIG. 11' in FIG. 2;  
FIG. 12 is an enlarged view of a portion labeled, 'FIG. 12' in FIG. 2;  
FIG. 13 is a front and top perspective view of a second embodiment of the set of fork, spoon and knife;  
FIG. 14 is a rear and bottom perspective view thereof;  
FIG. 15 is a front elevation view thereof;  
FIG. 16 is a rear elevation view thereof;  
FIG. 17 is a left side elevation view thereof;  
FIG. 18 is a right side elevation view thereof;  
FIG. 19 is a top plan view thereof;  
FIG. 20 is a bottom plan view thereof;  
FIG. 21 is an enlarged view of a portion indicated with numeric 21 in FIG. 13;  
FIG. 22 is an enlarged view of a portion indicated with, numeric 22 in FIG. 13;  
FIG. 23 is an enlarged view of a portion indicated with numeric 23 in FIG. 14;  
FIG. 24 is an enlarged view of a portion indicated with numeric 24 in FIG. 14;  
FIG. 25 is a front and top perspective view of a third embodiment of the set of fork, spoon and knife;  
FIG. 26 is a rear and bottom perspective view thereof;  
FIG. 27 is a front elevation view thereof;  
FIG. 28 is a rear elevation view thereof;  
FIG. 29 is a left side elevation view thereof;  
FIG. 30 is a right side, elevation view thereof;  
FIG. 31 is a top plan view thereof;  
FIG. 32 is a bottom plan view thereof;  
FIG. 33 is an enlarged view of a portion indicated with numeric 33 in FIG. 25;

(Continued)

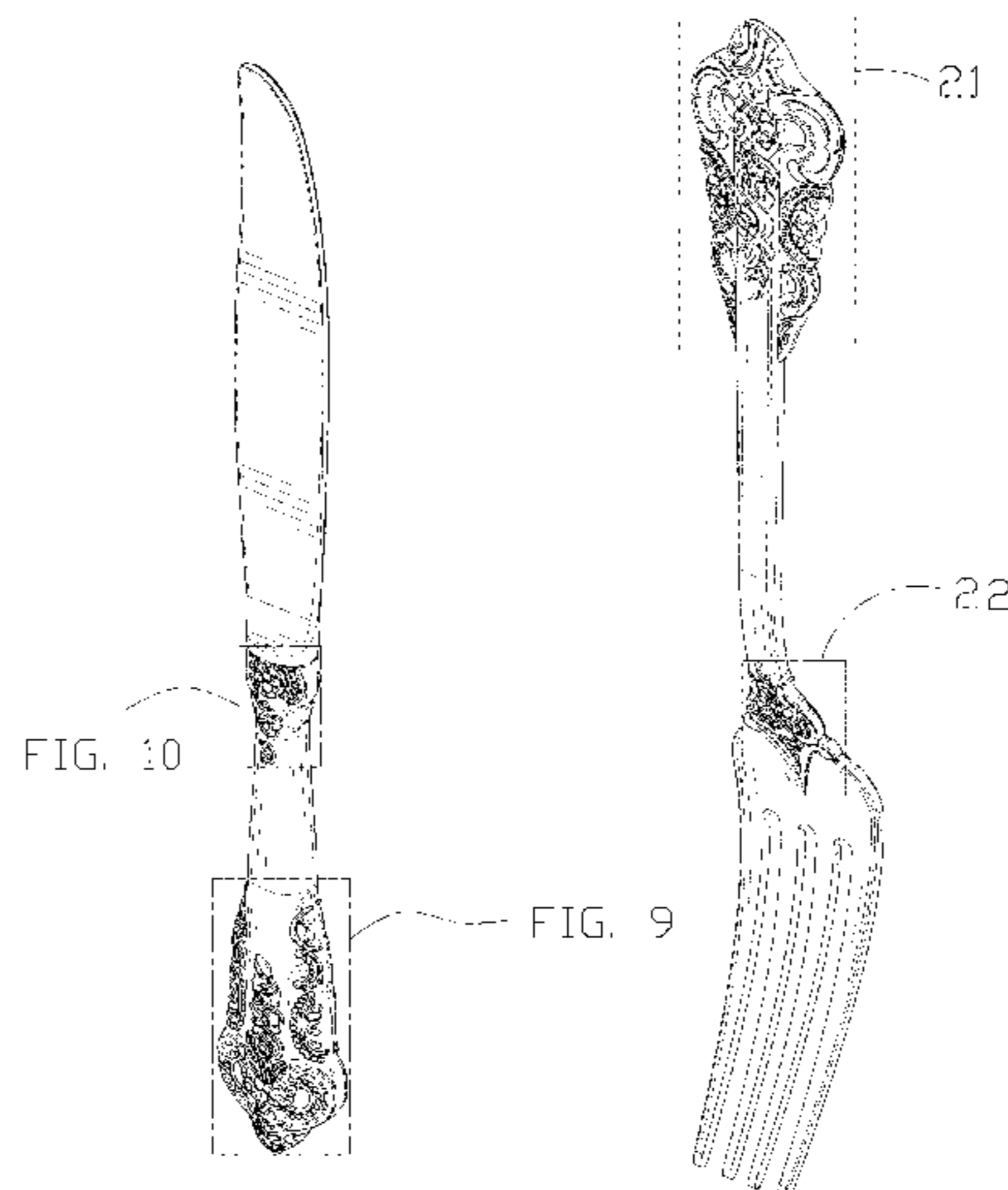


FIG. 34 is an enlarged view of a portion indicated with numeric 34 in FIG. 25;  
 FIG. 35 is an enlarged view of a portion indicated with numeric 35 in FIG. 26; and,  
 FIG. 36 is an enlarged view of a portion indicated with numeric 36 in FIG. 26.  
 The dash dot dash lines in FIGS. 1, 2, 9, 10, 11, 12, 13, 14, 21, 22, 23, 24, 25, 26, 33, 34, 35 and 36 are for the purpose of depicting the boundary lines of the enlarged views and form no part of the claimed design.

**1 Claim, 36 Drawing Sheets**

(58) **Field of Classification Search**

CPC ... A01D 9/02; A01D 9/04; A01D 9/06; A47G 21/00; A47G 21/004; A47G 21/005; A47G 21/02; A47G 21/023; A47G 21/04; A47G 21/06; A47G 21/08; A47G 21/181; A47J 43/28; A47J 43/281; A47J 43/282; A61F 13/10; A61J 7/0023; B25G 1/00; B25G 1/01; B25G 1/02; B25G 3/00; B65D 75/56; B65D 75/563; B65D 75/566; B67B 7/00; B67B 7/724; B67B 7/73

See application file for complete search history.

(56)

**References Cited**

U.S. PATENT DOCUMENTS

D137,377	S	*	2/1944	Malinowski	.....	D8/DIG. 3
D149,428	S	*	4/1948	Lipman	.....	D7/661
D170,056	S	*	7/1953	Helander	.....	D7/661
D173,184	S	*	10/1954	Bowlen	.....	D7/661
D179,421	S	*	12/1956	Lipman	.....	D7/659
D201,046	S	*	5/1965	Gavette	.....	D7/661
D202,653	S	*	10/1965	Perry	.....	D7/661
D215,121	S	*	9/1969	Manderfield	.....	D7/661
D219,683	S	*	1/1971	Manderfield	.....	D7/661
D226,982	S	*	5/1973	Manderfield	.....	D7/661
D241,111	S	*	8/1976	Manderfield	.....	D7/661
D245,388	S	*	8/1977	Richmond, II	.....	D7/661
D249,450	S	*	9/1978	Guodace	.....	D7/645
D252,375	S	*	7/1979	Manderfield	.....	D7/661
D257,610	S	*	12/1980	Knope	.....	D7/651
D257,658	S	*	12/1980	Knope	.....	D7/660
D263,195	S	*	3/1982	Manderfield	.....	D7/661
D270,888	S	*	10/1983	Cassini	.....	D7/661
D558,534	S	*	1/2008	Claramunt	.....	D7/664
D684,018	S	*	6/2013	Lin	.....	D7/645
D705,005	S	*	5/2014	Shane-Schuldt	.....	D7/661
D705,599	S	*	5/2014	Shane-Schuldt	.....	D7/661
D746,644	S		1/2016	Cai	.....	
D943,361	S	*	2/2022	Fang	.....	D7/654

\* cited by examiner

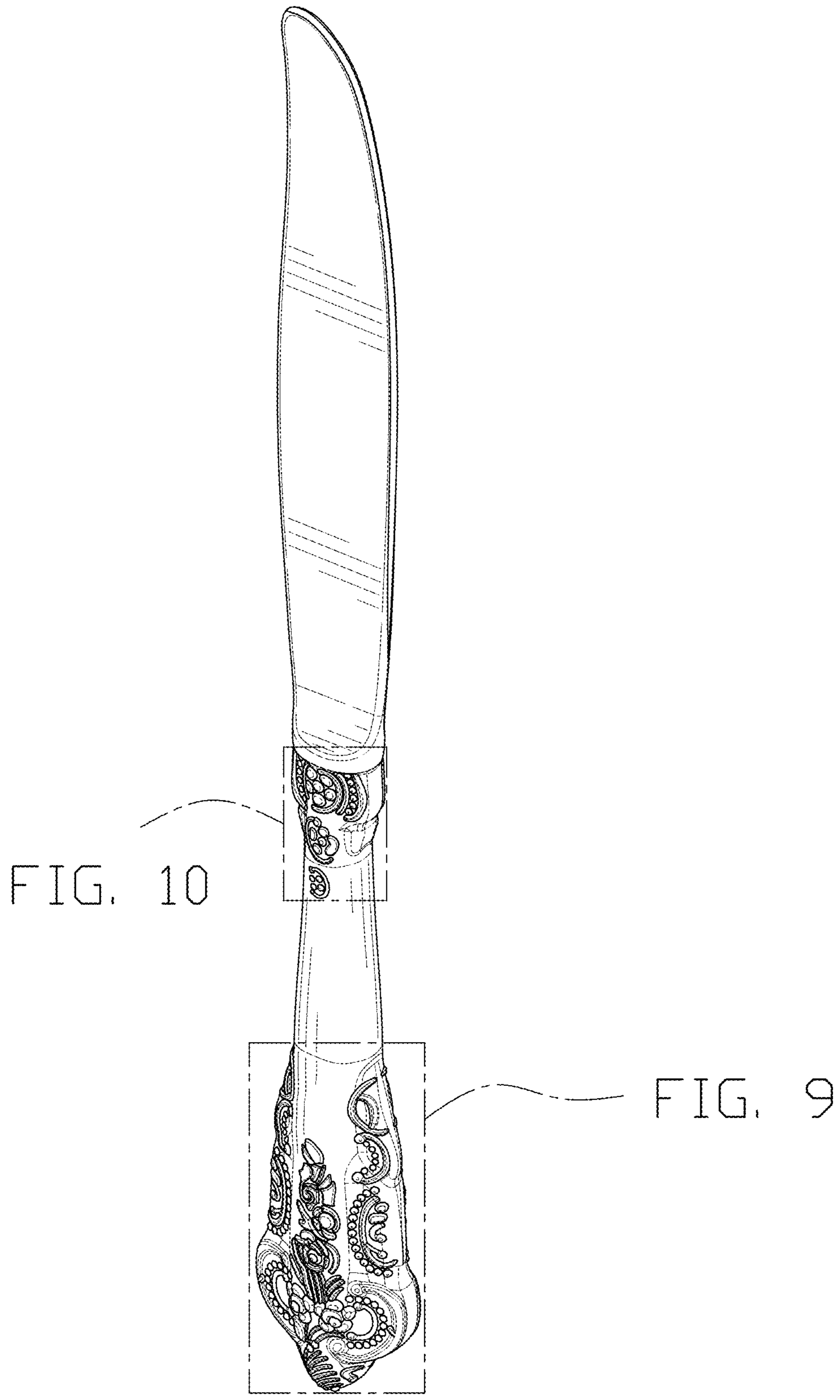


FIG. 10

FIG. 9

FIG. 1

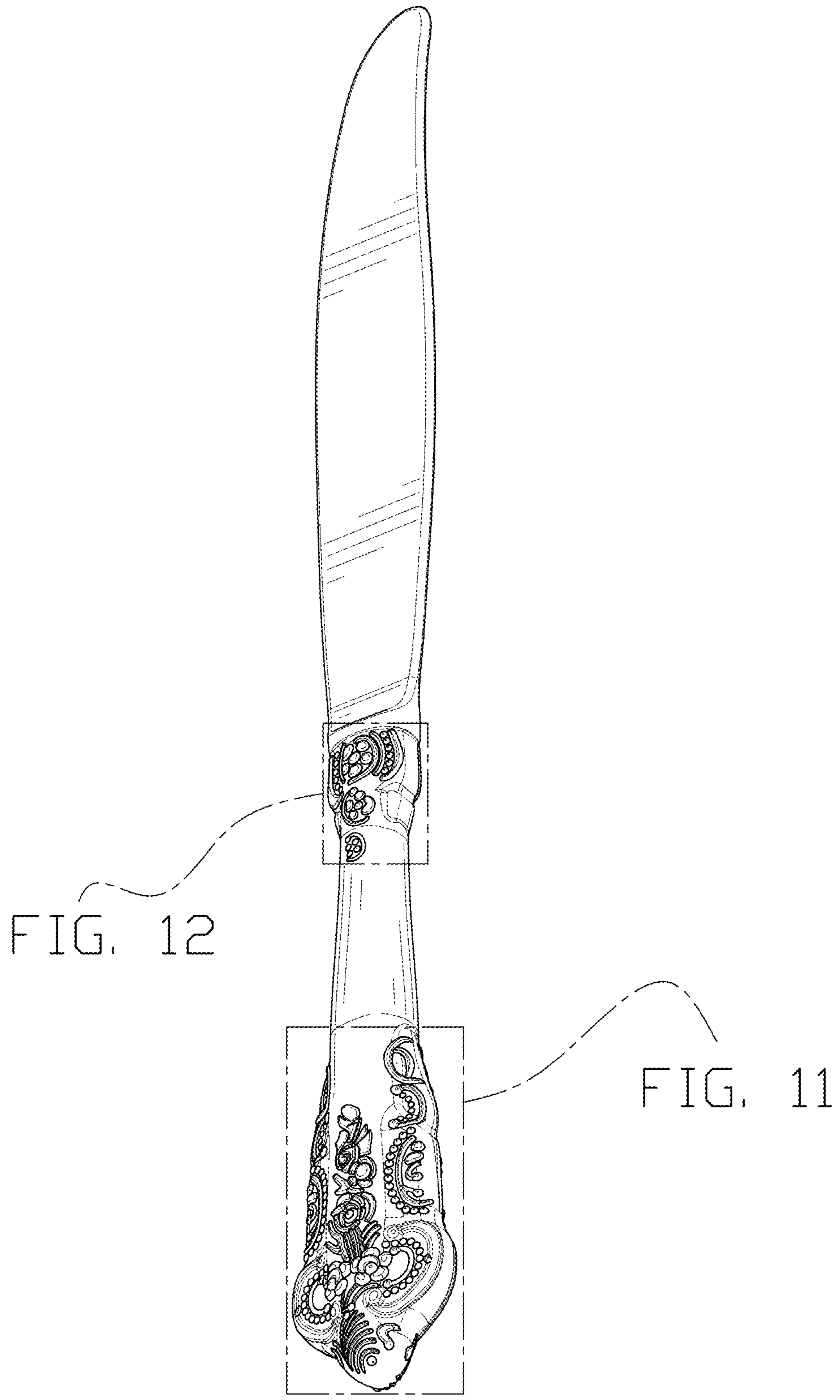


FIG. 12

FIG. 11

FIG. 2

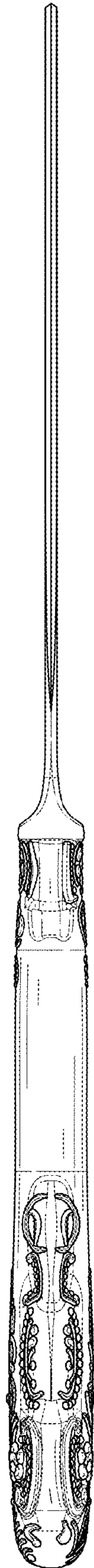


FIG. 3

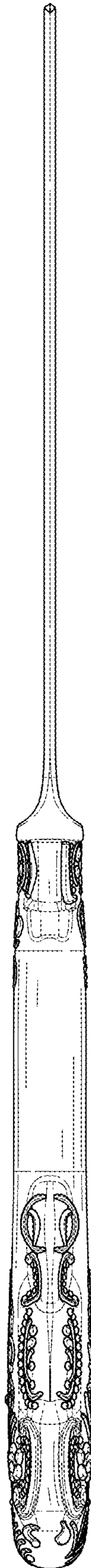


FIG. 4

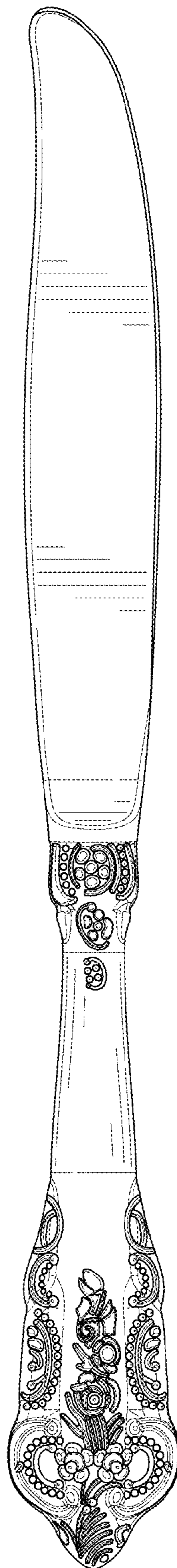


FIG. 5

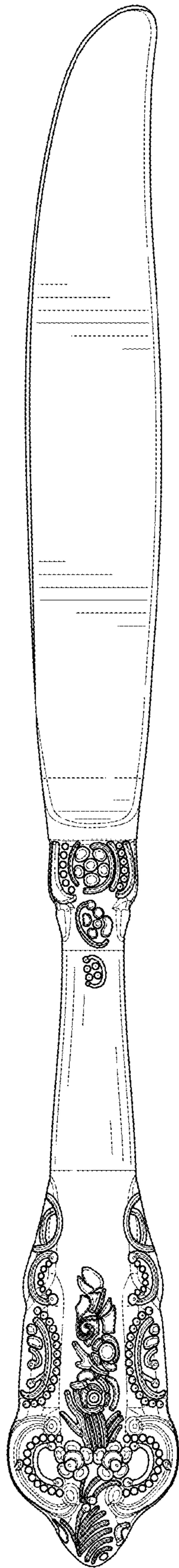


FIG. 6



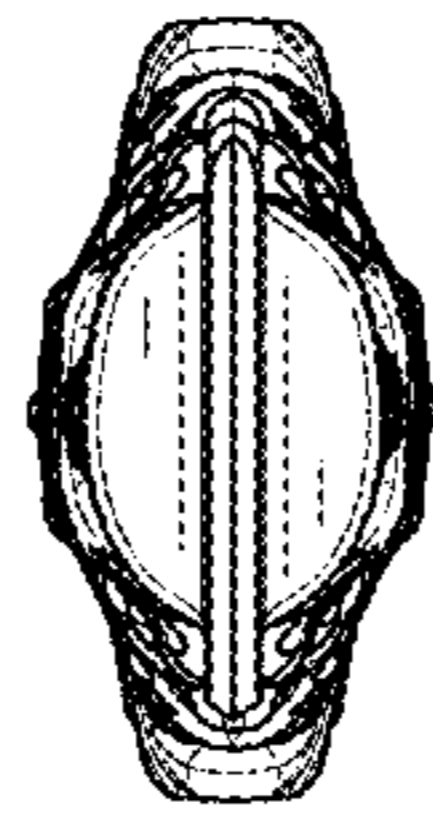


FIG. 7

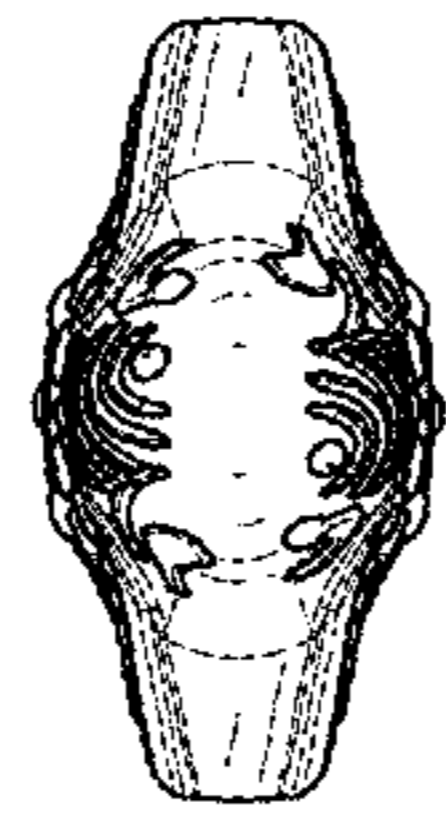


FIG. 8

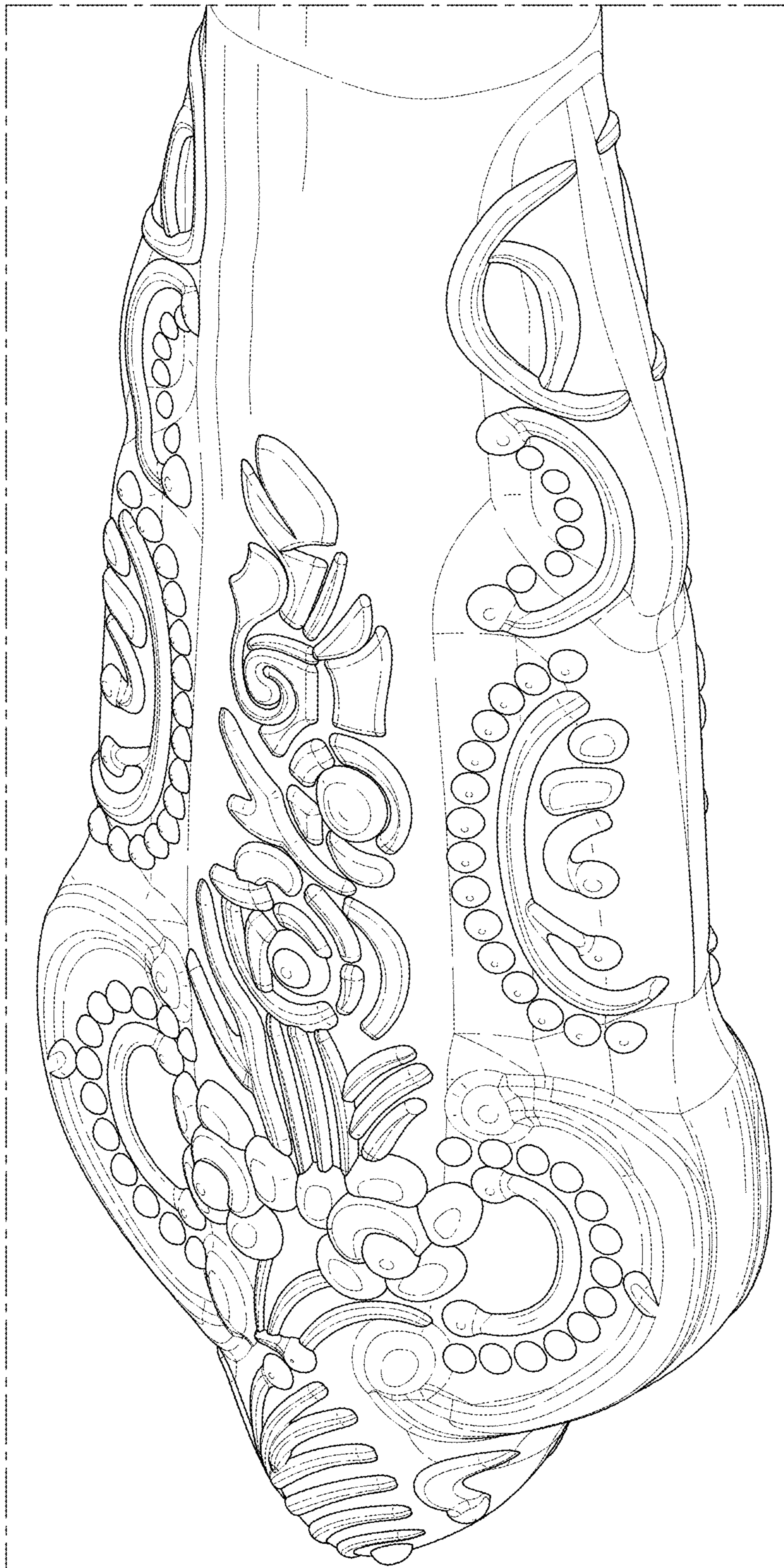


FIG. 9

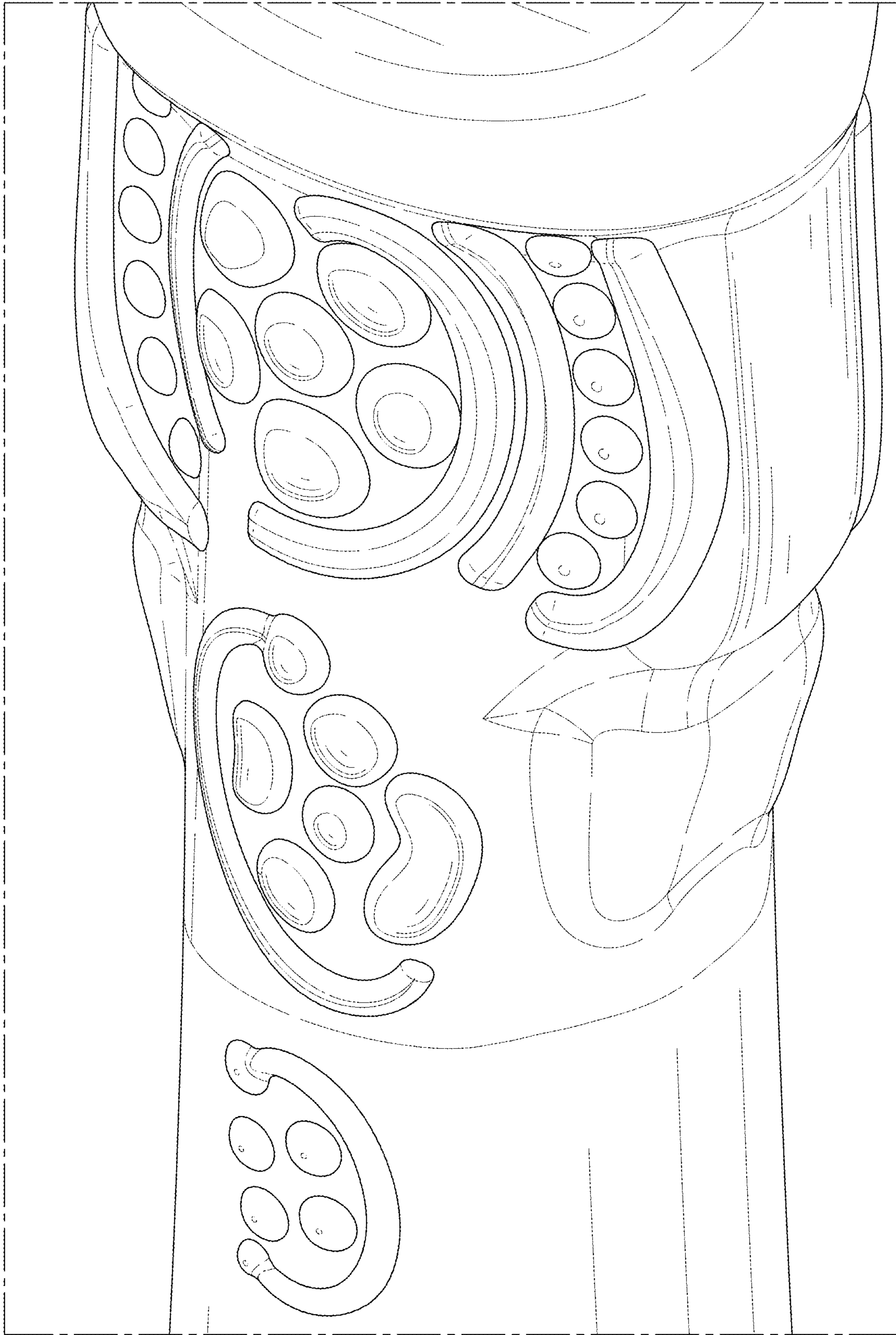


FIG. 10

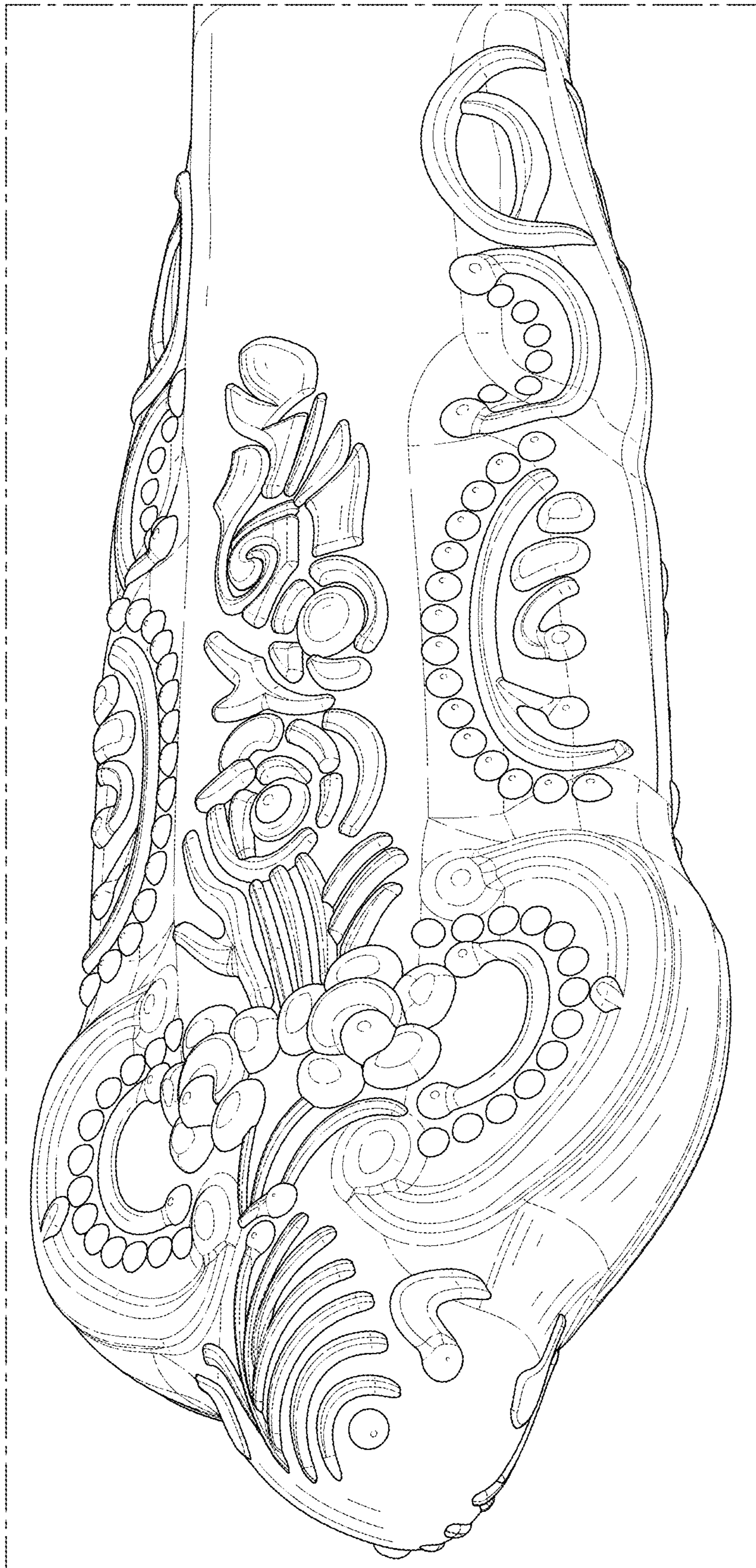


FIG. 11

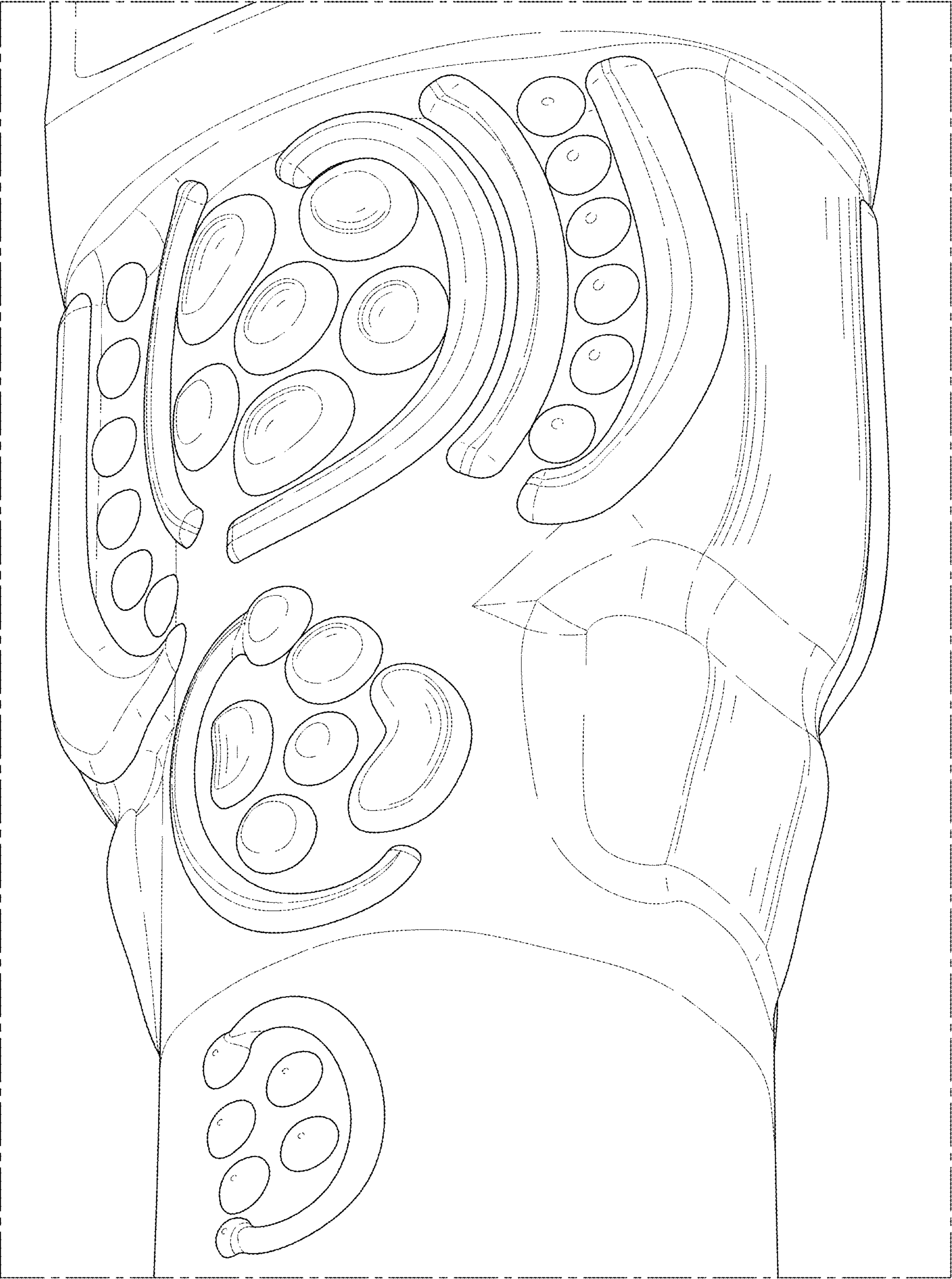


FIG. 12

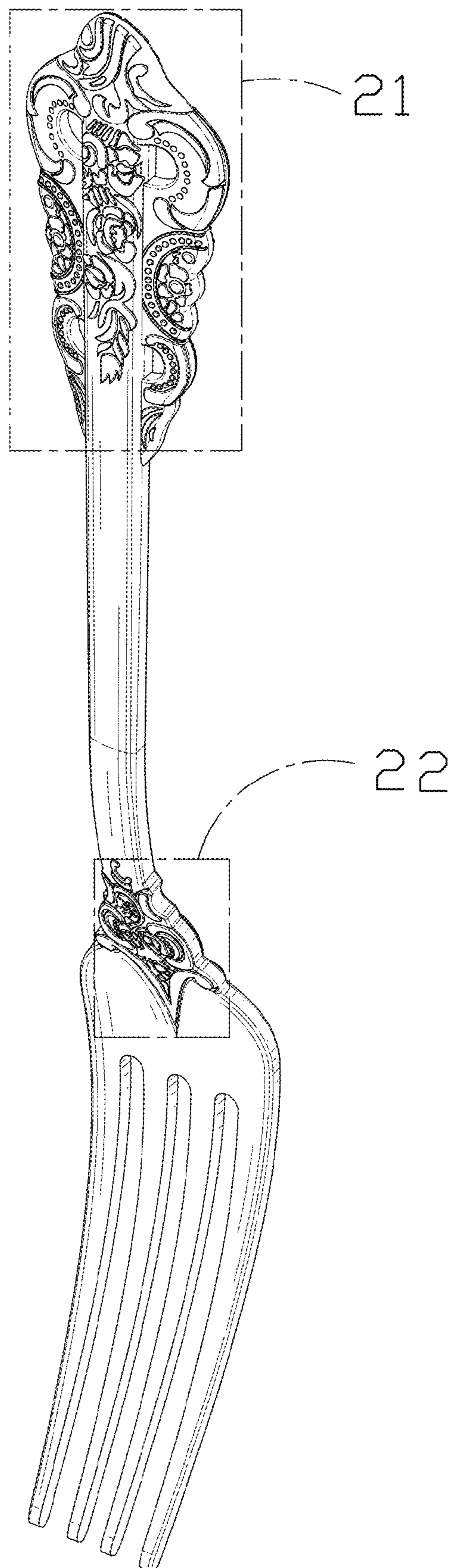


FIG. 13

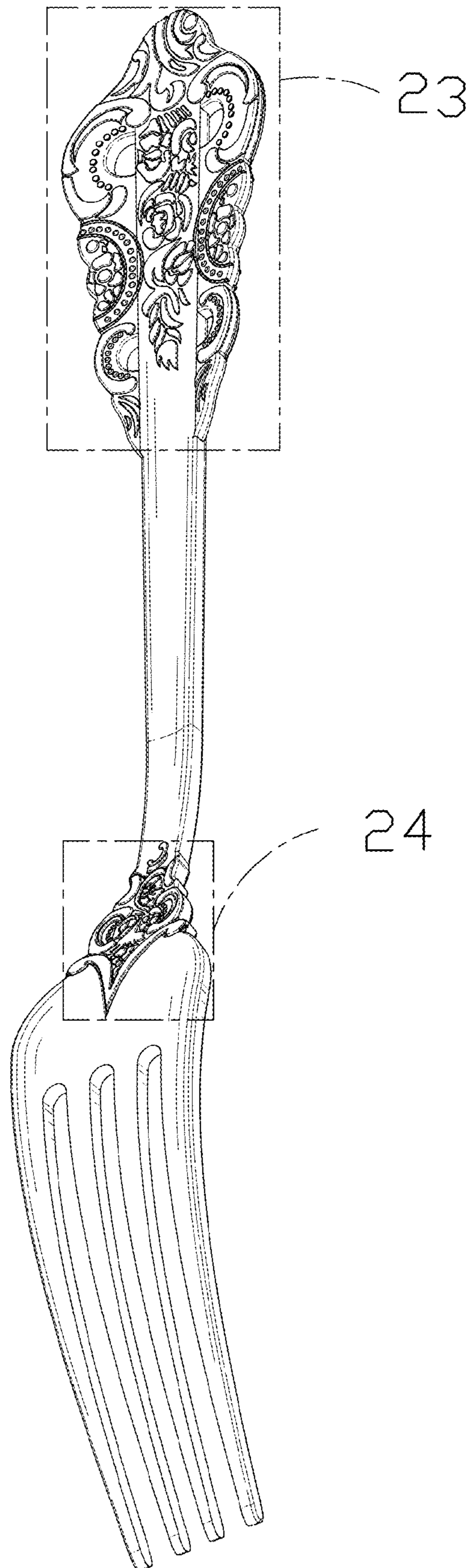


FIG. 14



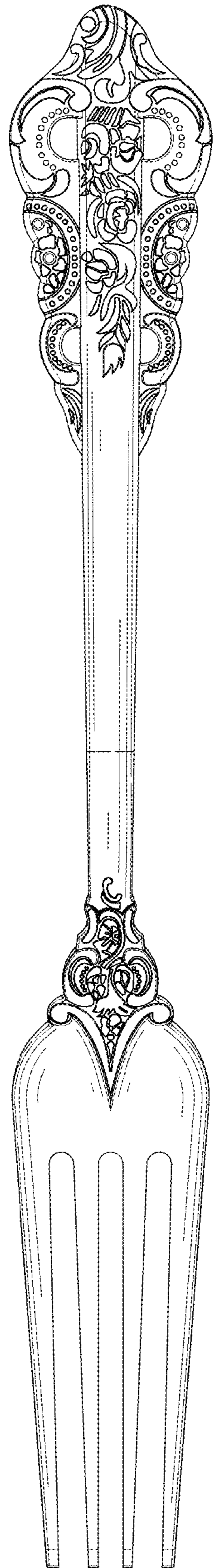


FIG. 15

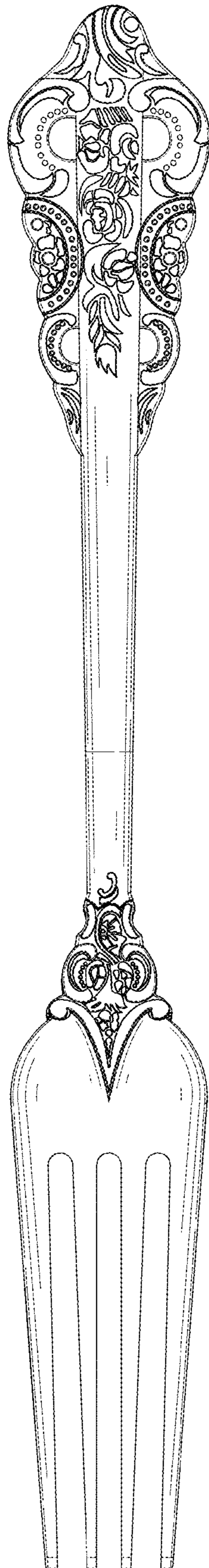


FIG. 16

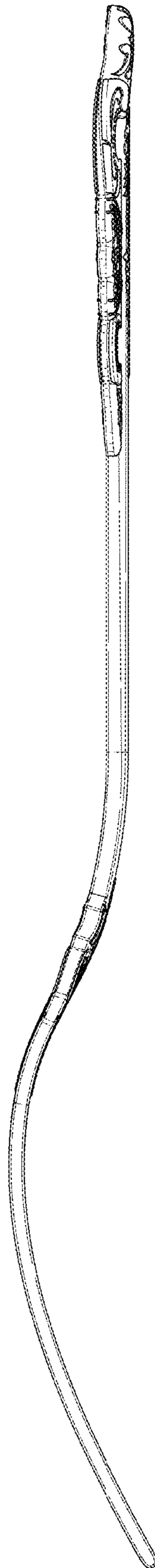


FIG.17

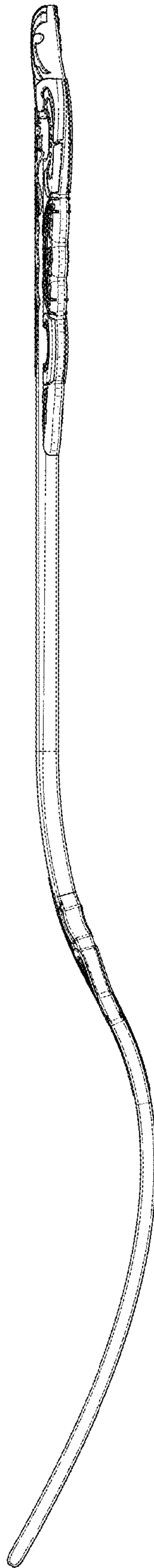


FIG. 18

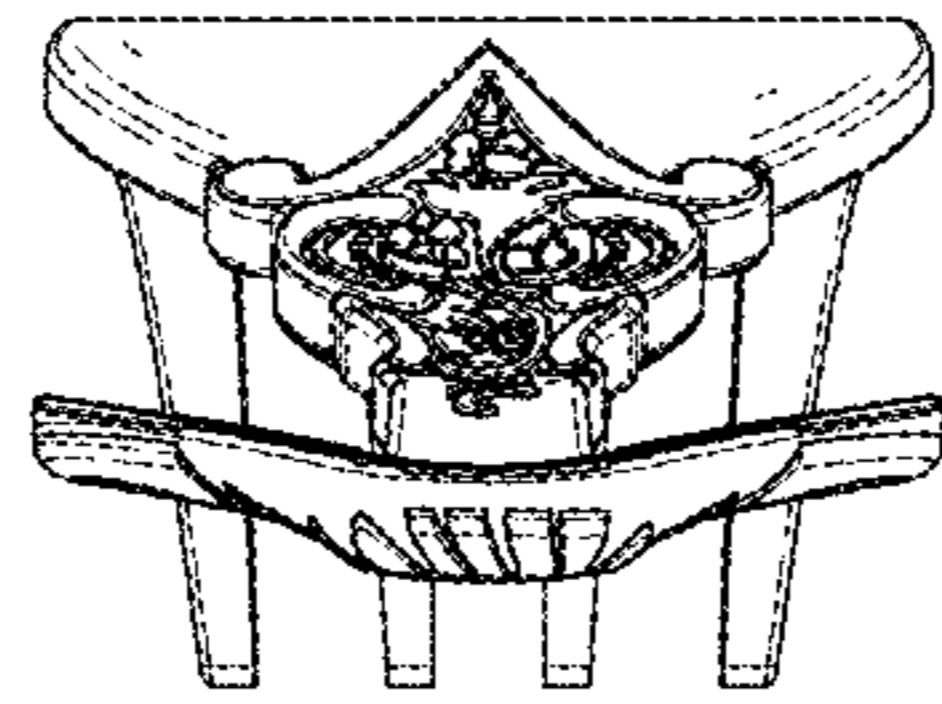


FIG. 19

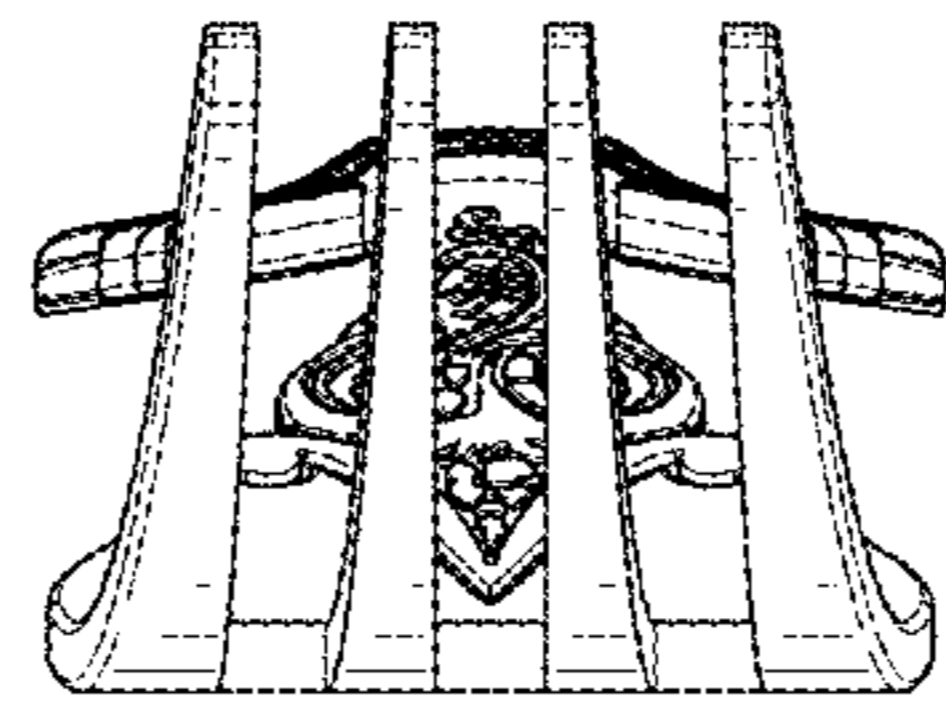


FIG. 20

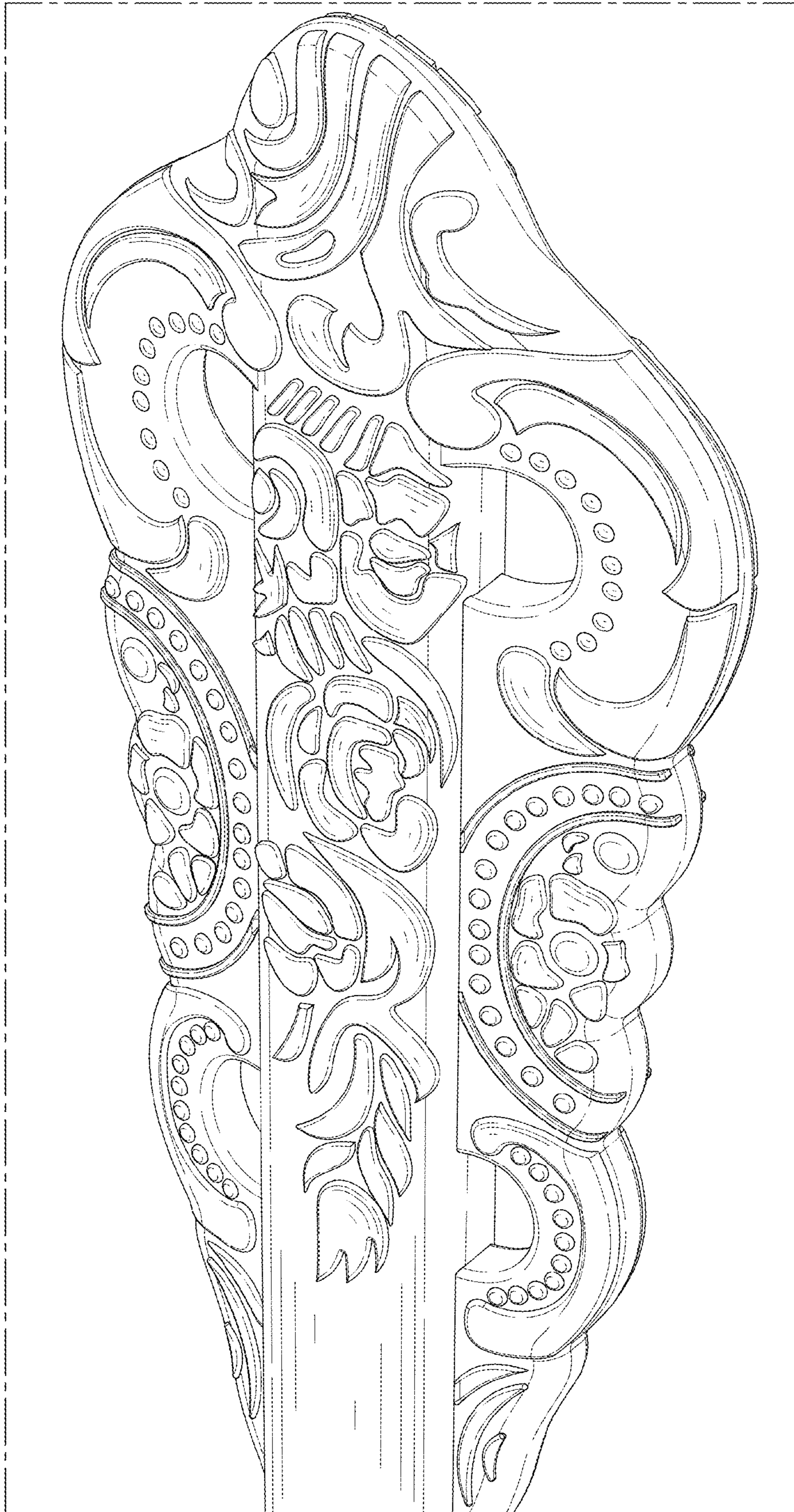


FIG. 21

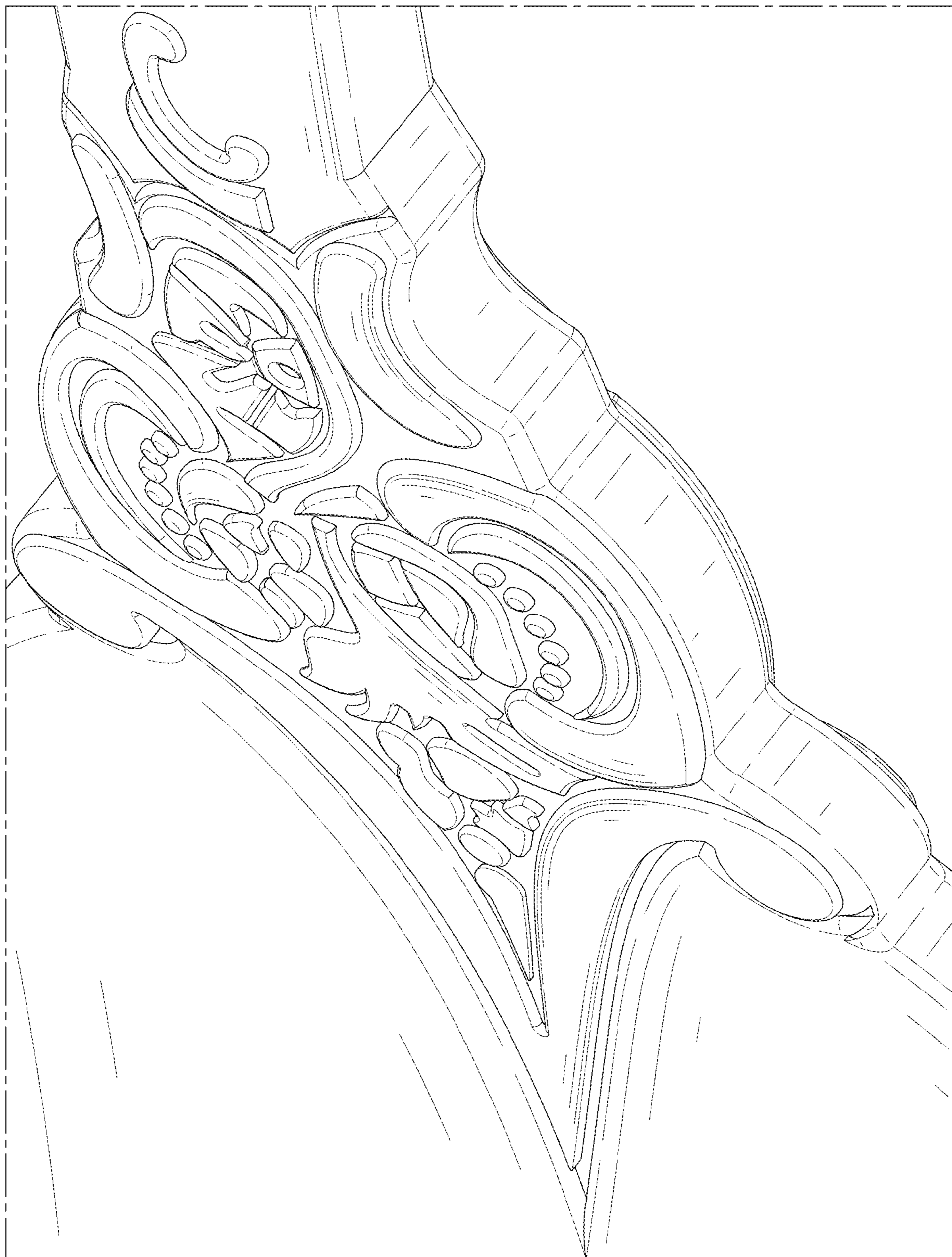


FIG. 22



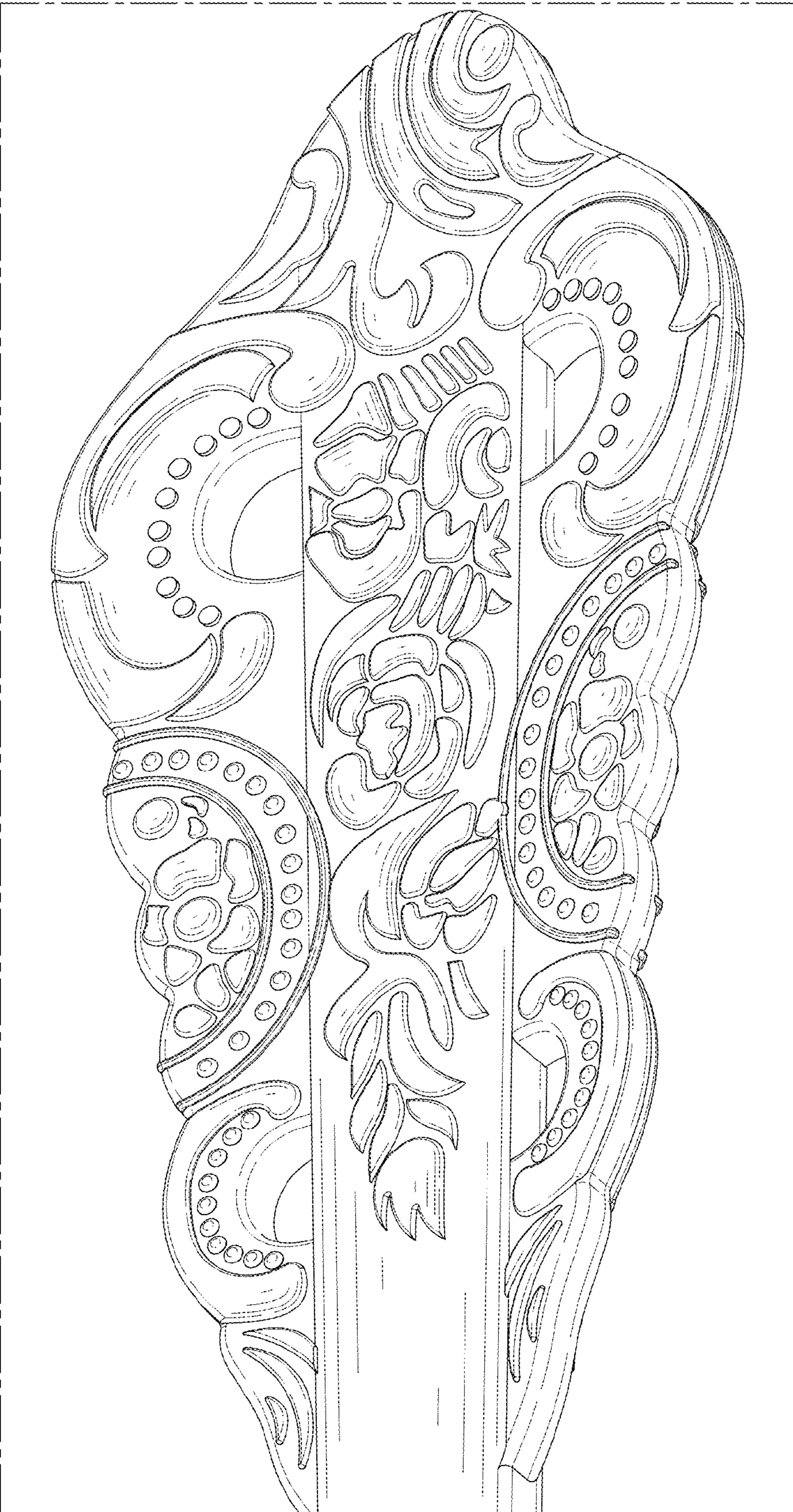


FIG. 23

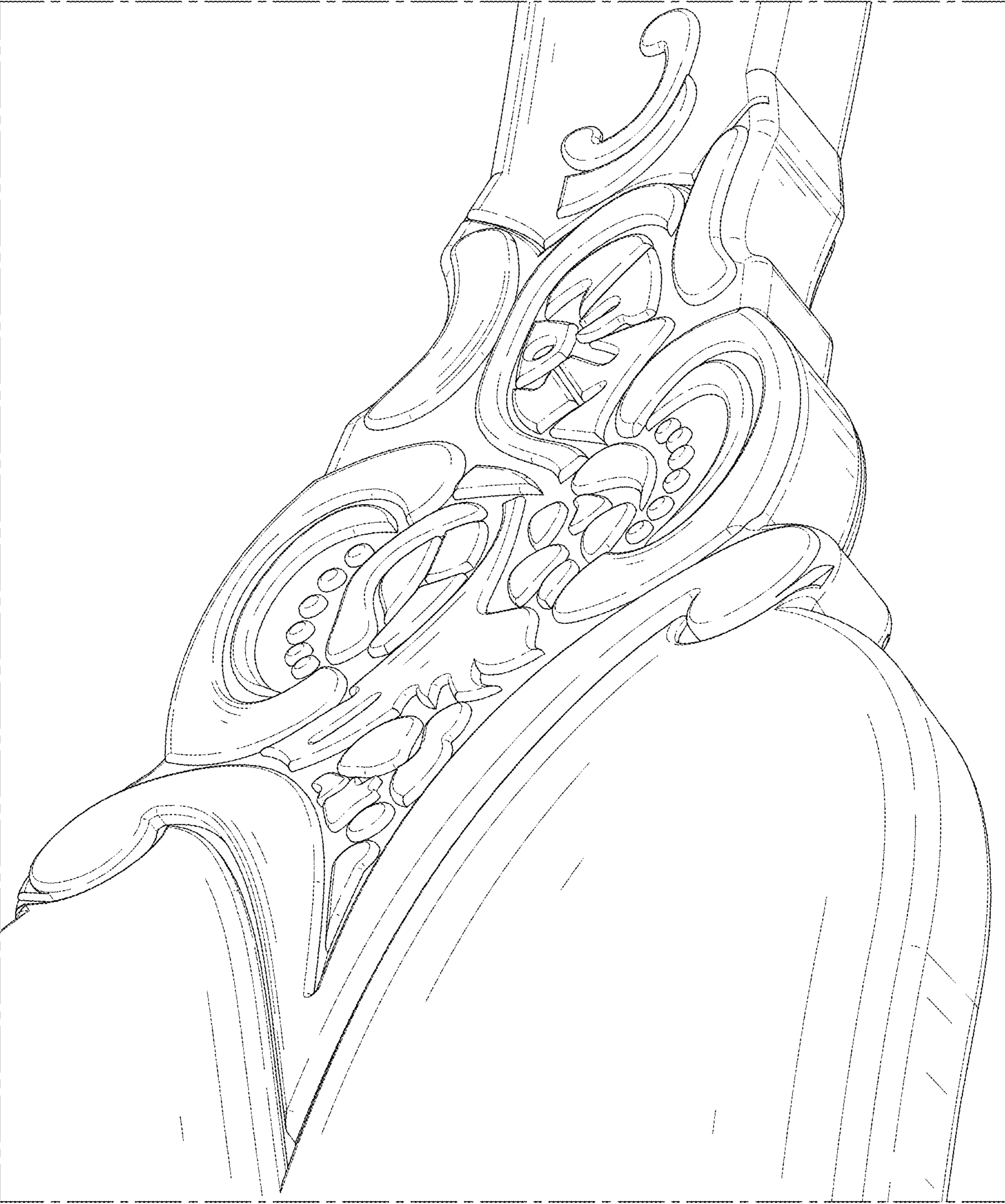


FIG. 24

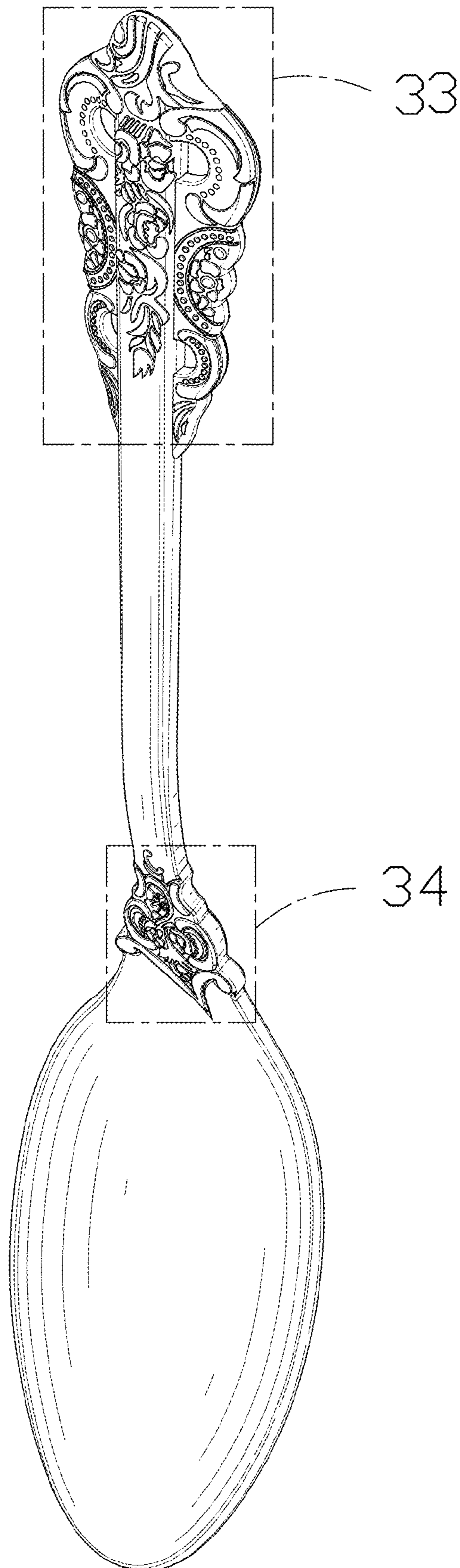


FIG. 25

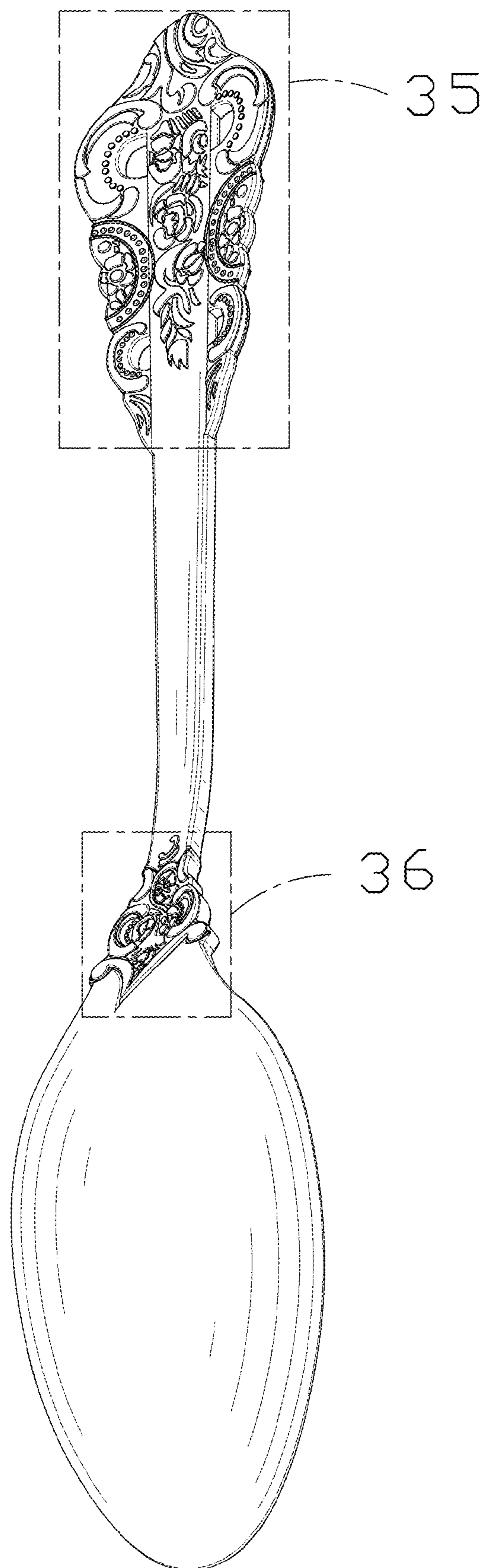


FIG. 26

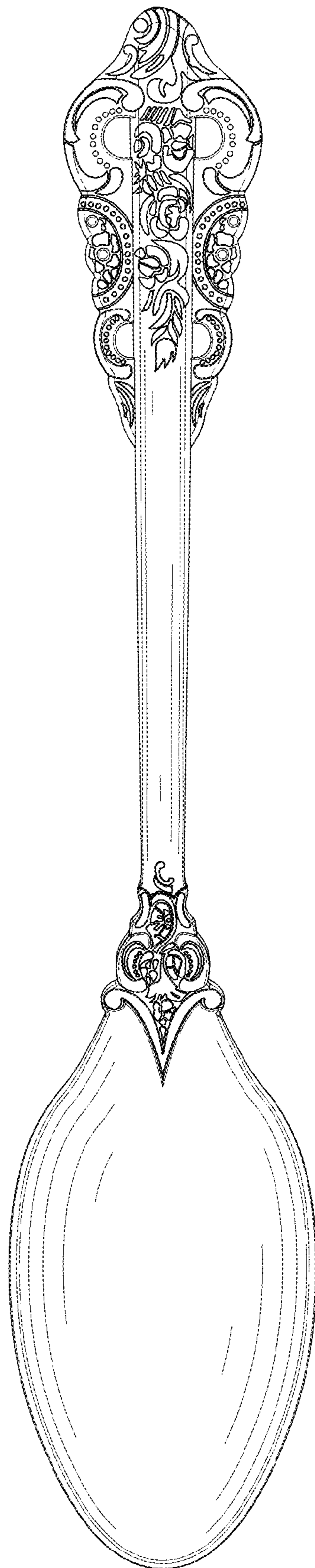


FIG. 27



FIG. 28

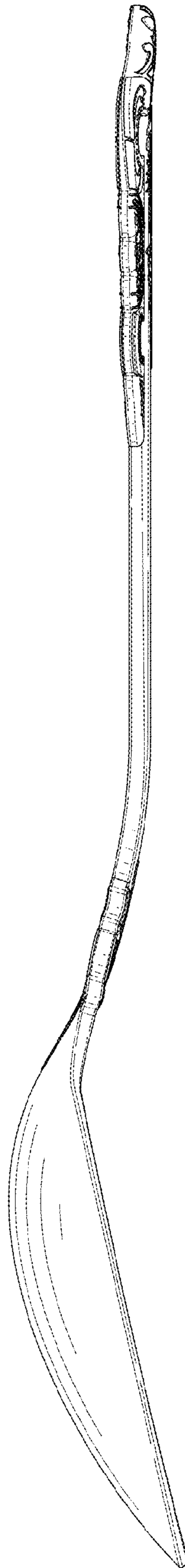


FIG. 29

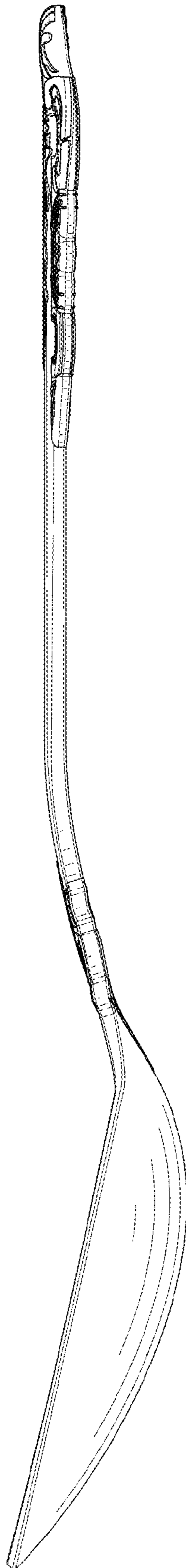


FIG. 30



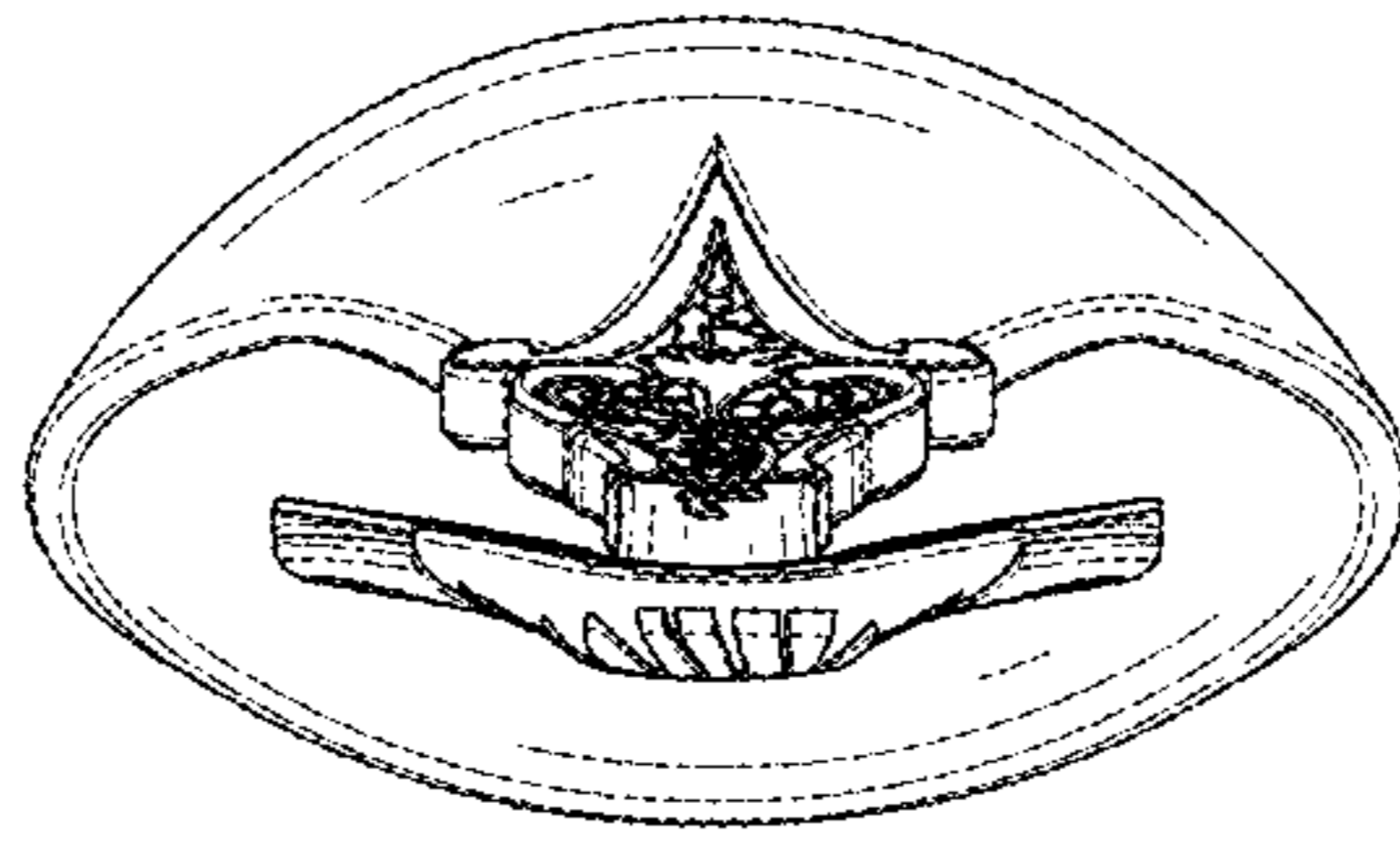


FIG. 31

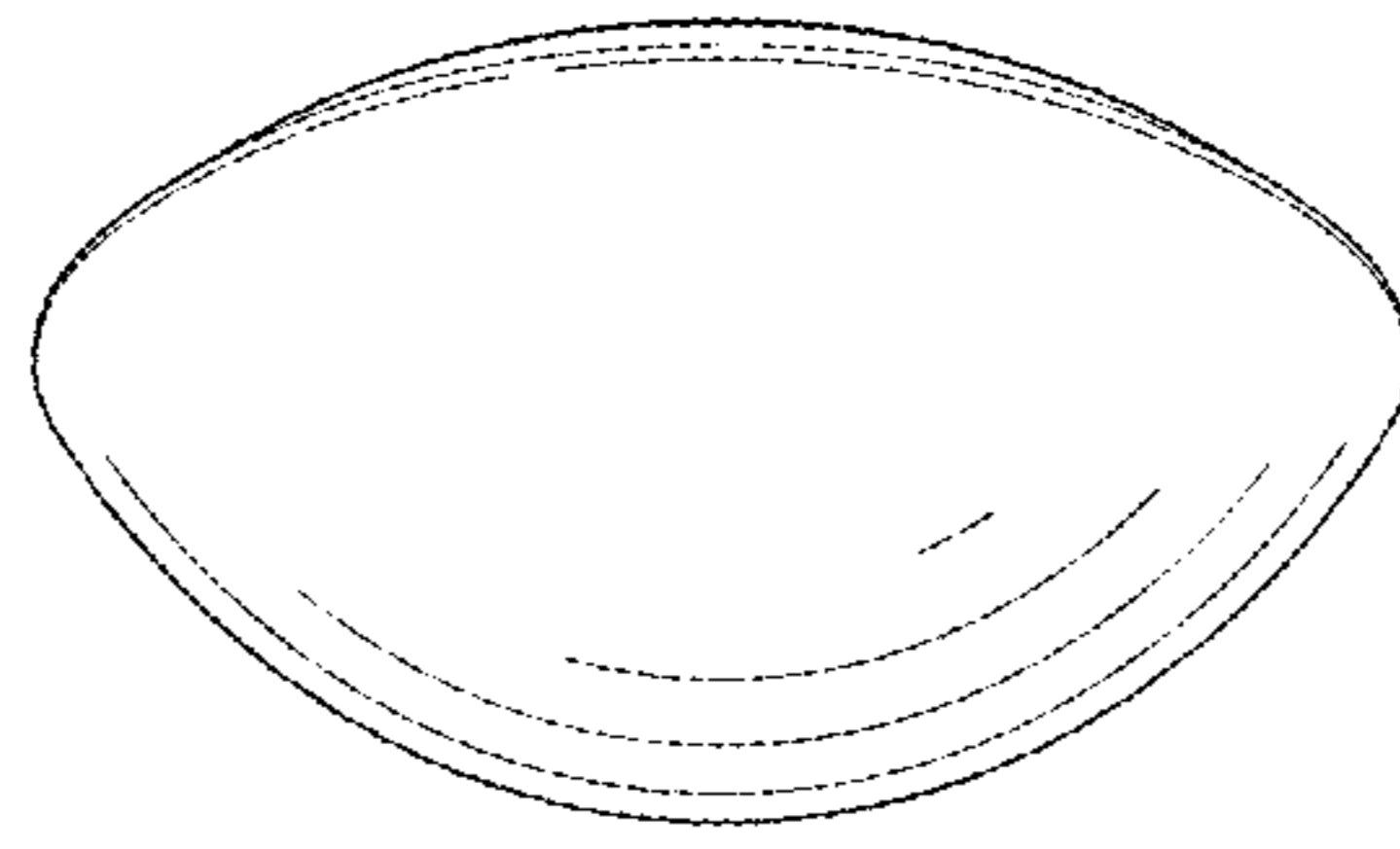


FIG. 32

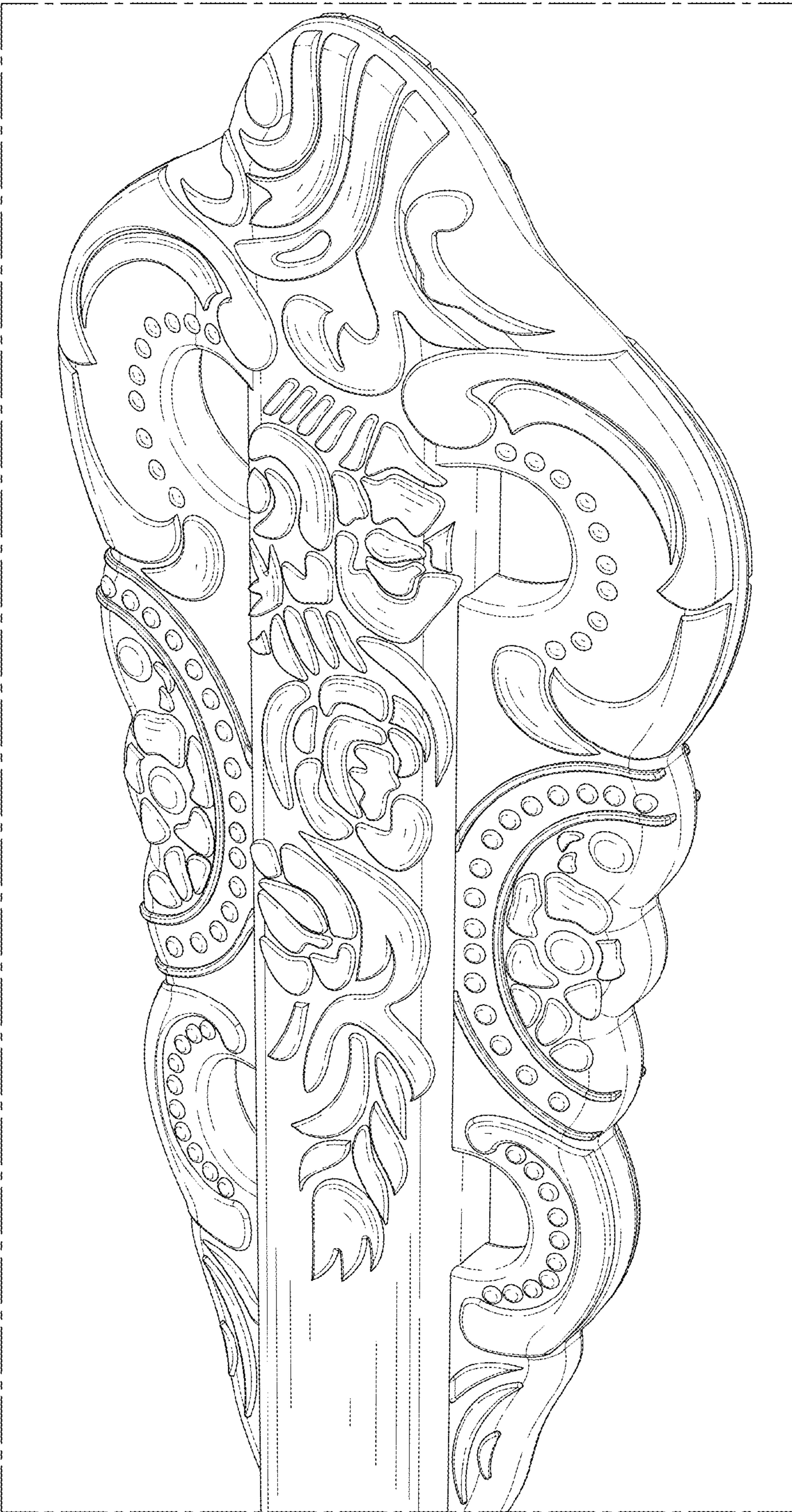


FIG. 33

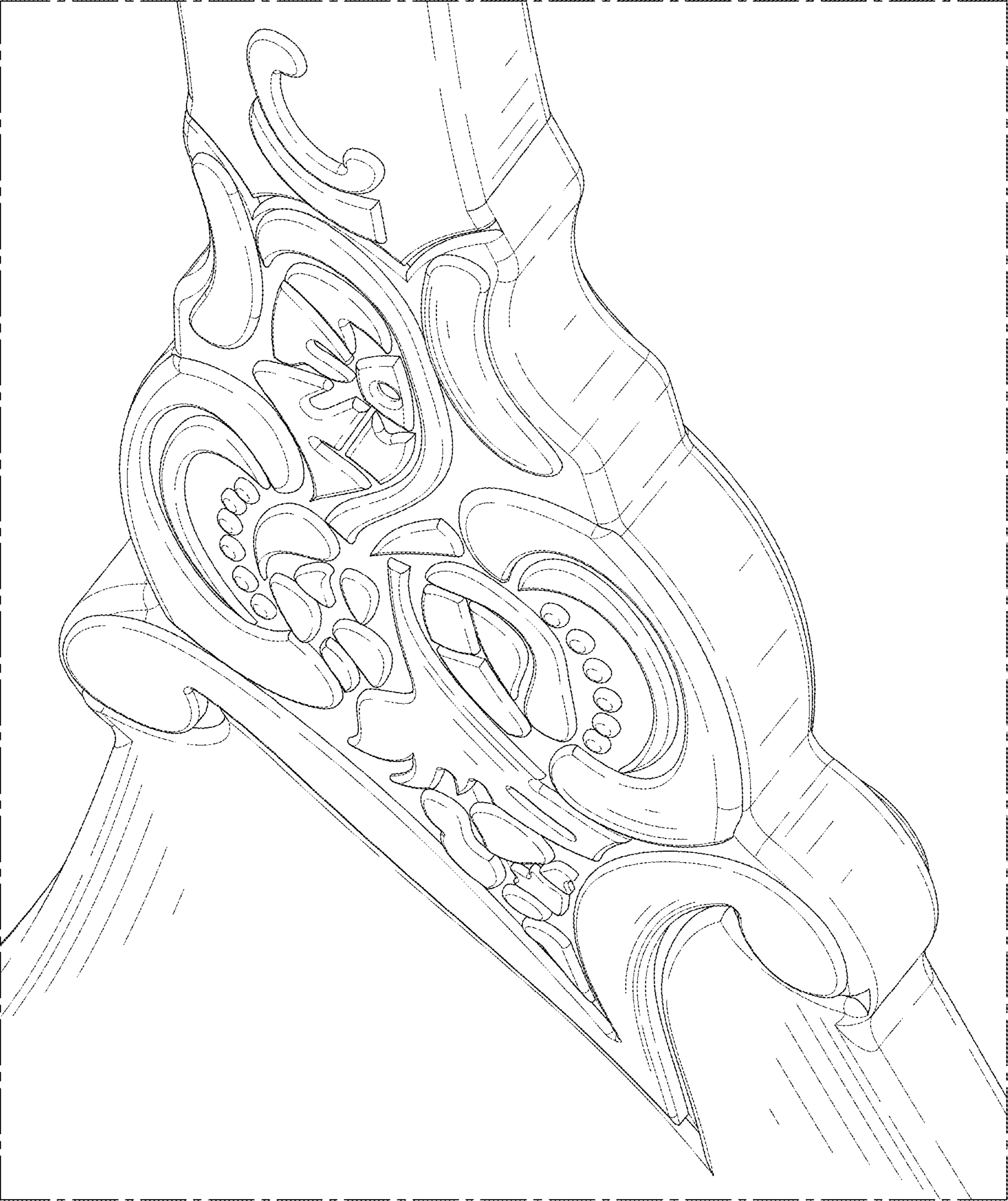


FIG. 34

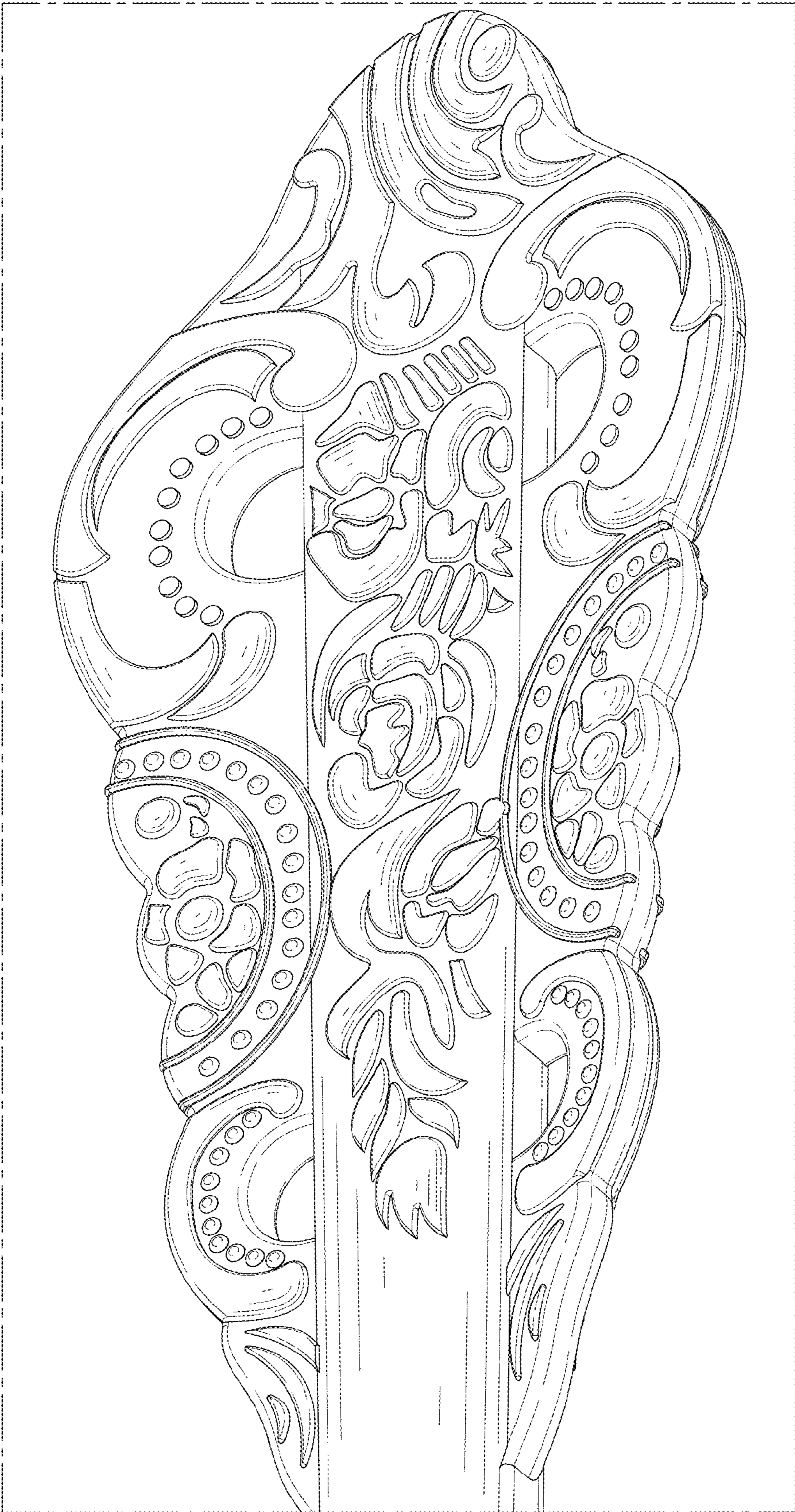


FIG. 35

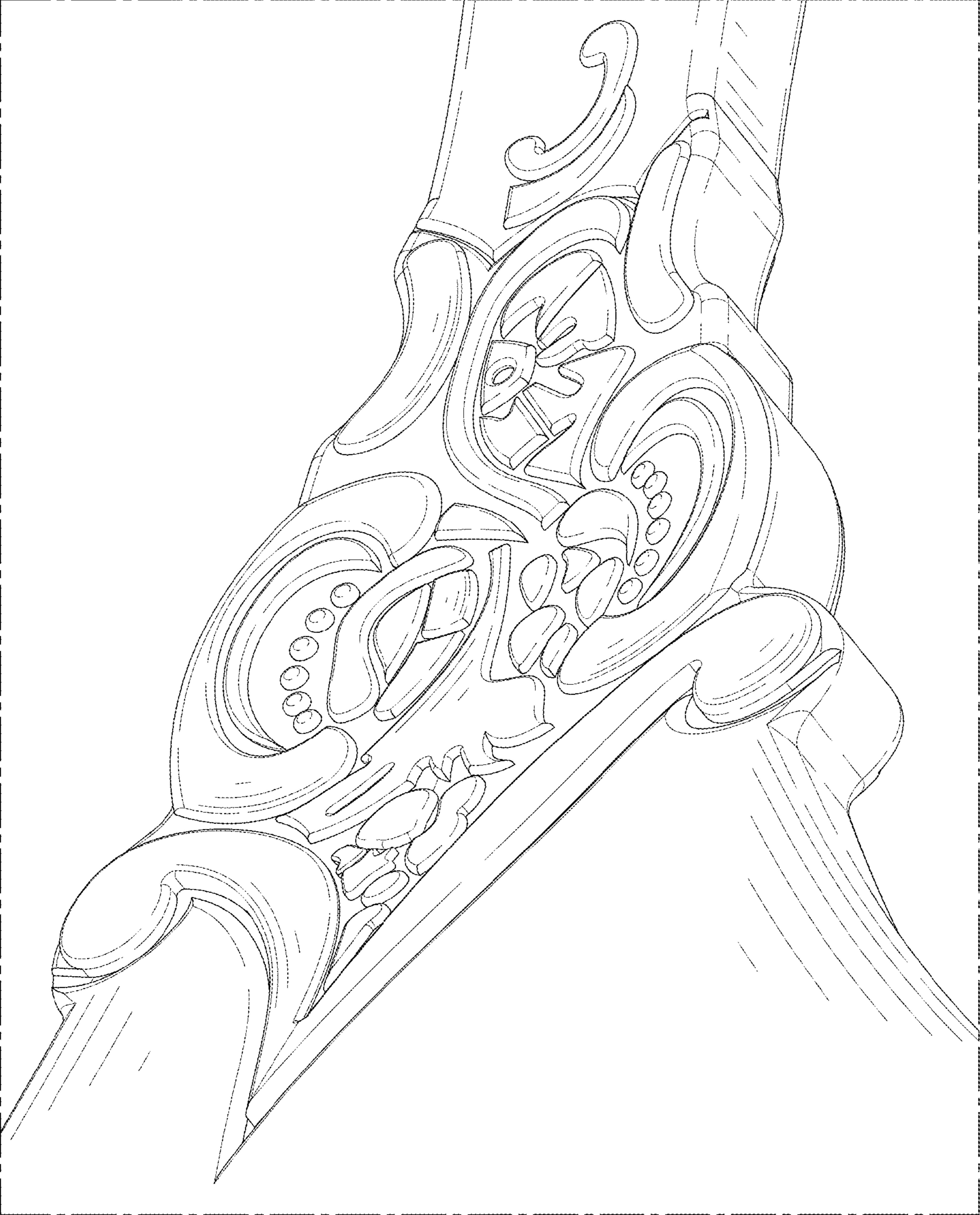


FIG. 36