



US00D976061S

(12) **United States Design Patent**
Sang

(10) **Patent No.:** **US D976,061 S**
(45) **Date of Patent:** **** Jan. 24, 2023**

(54) **KNIFE HOLDER**

(71) Applicant: **Xinglei Sang**, Anhui (CN)

(72) Inventor: **Xinglei Sang**, Anhui (CN)

(**) Term: **15 Years**

(21) Appl. No.: **29/757,318**

(22) Filed: **Nov. 5, 2020**

(51) **LOC (14) Cl.** **07-99**

(52) **U.S. Cl.**
USPC **D7/637**

(58) **Field of Classification Search**
USPC ... D7/600.1, 600.3, 601, 602, 637-641, 701,
D7/704, 705, 708; D3/304, 305, 313,
D3/314; D6/323, 525, 527, 683, 683.1,
D6/706; D19/77, 81, 92; D32/55, 56
CPC A47B 77/14; A47G 21/00; A47G 21/14;
A47G 23/06; A47G 23/0641; A47J 45/02;
A47J 47/16; A47L 19/00; A47L 19/02;
A47L 19/04; B65D 1/34; B65D 1/36
See application file for complete search history.

(56) **References Cited**

U.S. PATENT DOCUMENTS

- 1,192,965 A * 8/1916 White A47G 21/14
211/70.7
- D58,293 S * 7/1921 Lickert 211/88.01
- 1,742,102 A * 12/1929 Seagles A22B 3/10
211/69
- D119,760 S * 4/1940 Kopp D6/572
- 2,252,873 A * 8/1941 Vassos A47J 47/16
294/7
- D245,957 S * 10/1977 Stein A47G 21/14
D6/563
- D259,321 S * 5/1981 Sparger D7/637
- D261,467 S * 10/1981 Alessandrini D7/637
- D273,262 S * 4/1984 Wolff D6/567
- D357,777 S * 4/1995 Bray D32/58
- D555,366 S * 11/2007 Goodman D6/323
- D579,277 S * 10/2008 Stokes D7/637

- D579,728 S * 11/2008 Stokes D7/637
- 7,766,290 B1 * 8/2010 Bradbury A47J 45/02
248/200.1
- D781,111 S * 3/2017 Koder A47J 45/02
D7/619.1
- D781,670 S * 3/2017 Berger D7/701

OTHER PUBLICATIONS

Desion No. 306608905. Oct. 22, 2020—China National Intellectual Property Administration (CNIPA) Publication Date—Jun. 15, 2021 Owner—Sang Xinglei WIPO, available at <https://www3.wipo.int/designdb/en/index.jsp> (Year: 2020).*
Hokyzam Magnetic Knife Strip, first available Sep. 16, 2020, Amazon, [online], [site visited Feb. 22, 2022], Available from internet URL: <https://www.amazon.com/Hokyzam-Magnetic-Upgraded-Stainless-Organizer/dp/B08J7L7VQQ> (Year: 2020).*

* cited by examiner

Primary Examiner — Mary Ann Calabrese
Assistant Examiner — Natalya M Rapundalo

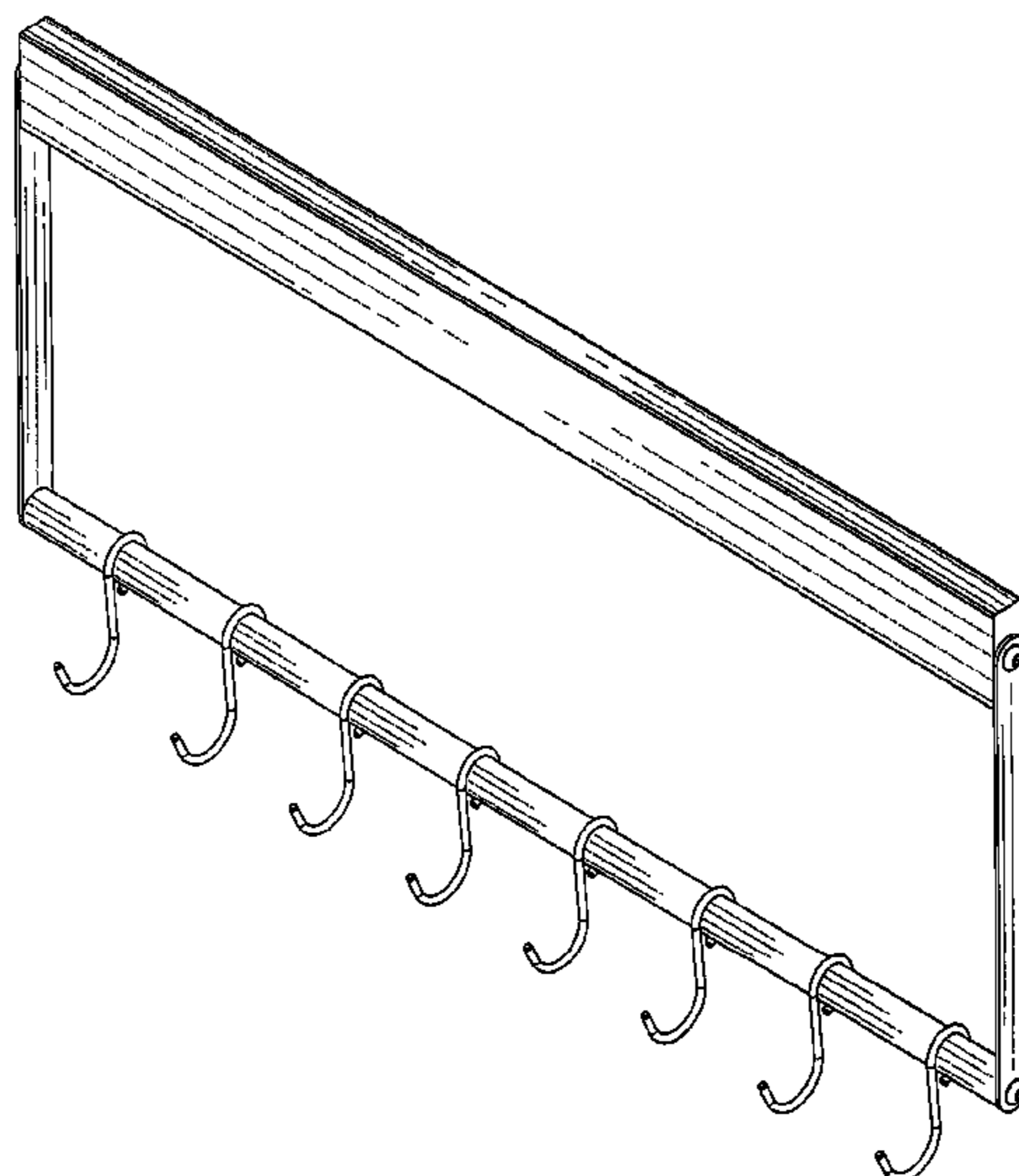
(57) **CLAIM**

The ornamental design for a knife holder, as shown and described.

DESCRIPTION

FIG. 1 is a perspective view of a knife holder showing my new design;
FIG. 2 is a front elevation view thereof;
FIG. 3 is a rear elevation view thereof;
FIG. 4 is a left side elevation view thereof, shown enlarged in scale;
FIG. 5 is a right side elevation view thereof, shown enlarged in scale;
FIG. 6 is a top plan view thereof; and,
FIG. 7 is a bottom plan view thereof.
The broken lines in the drawings depict portions of the knife holder that form no part of the claimed design.

1 Claim, 7 Drawing Sheets



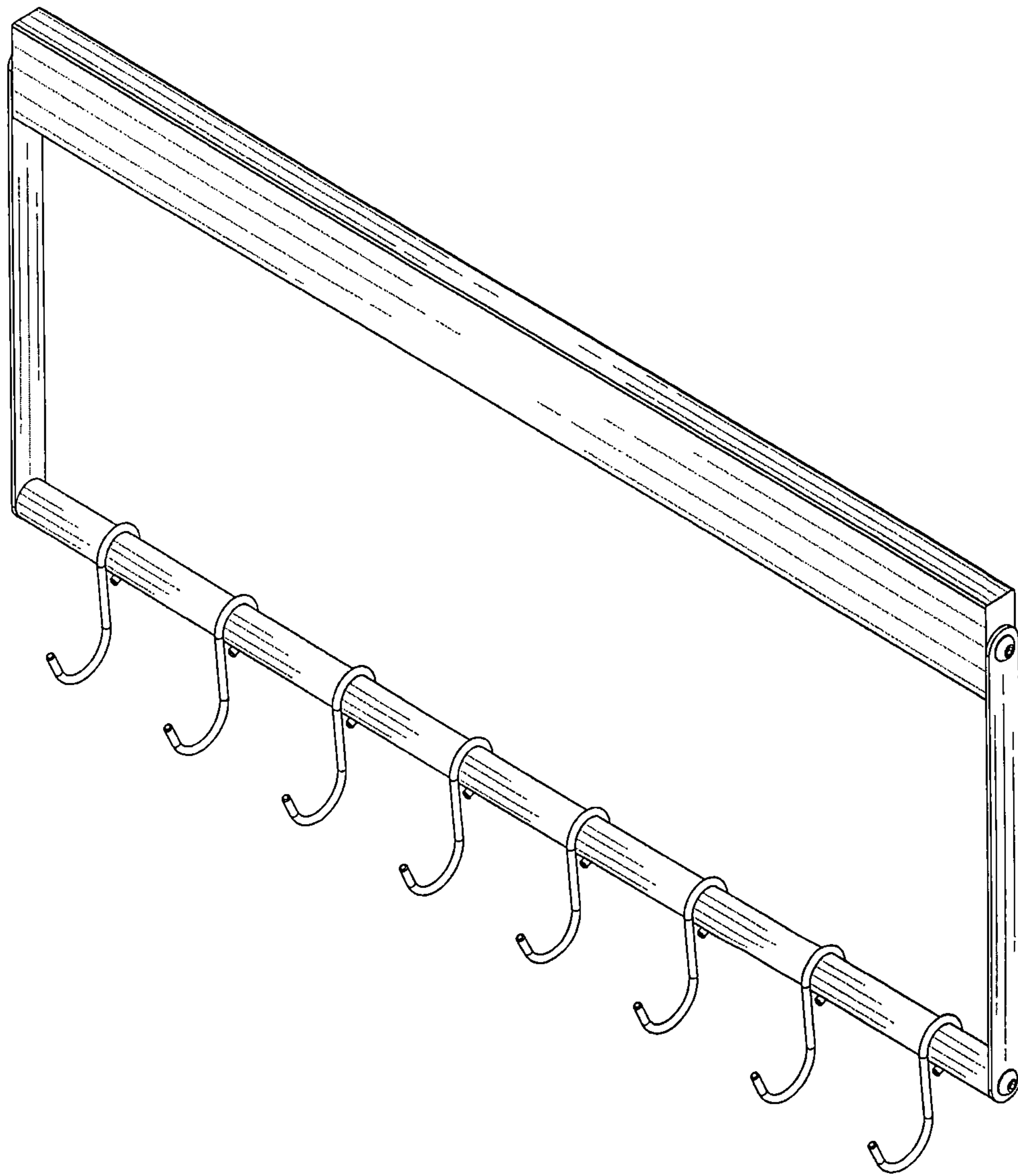


FIG. 1

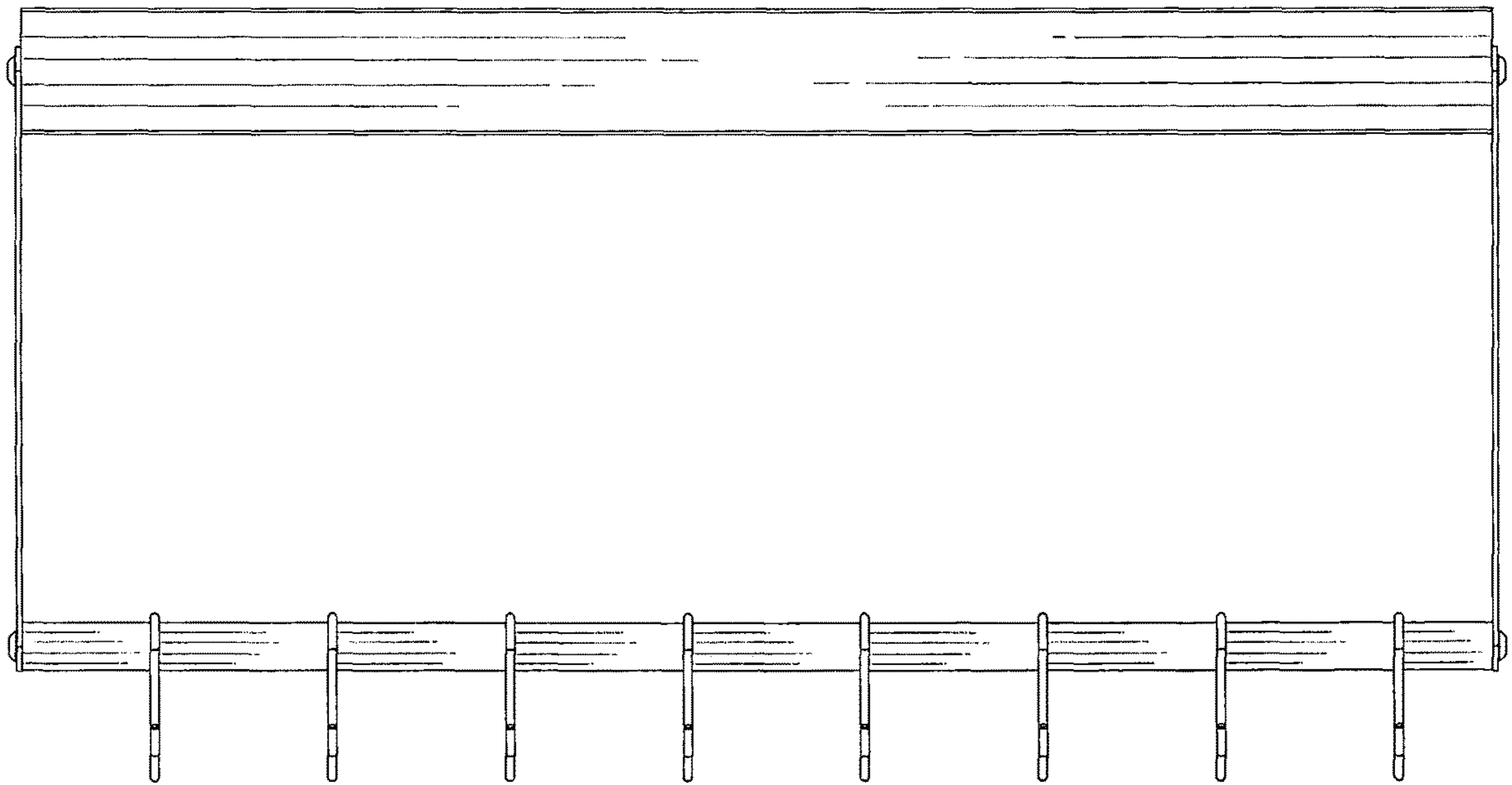


FIG. 2

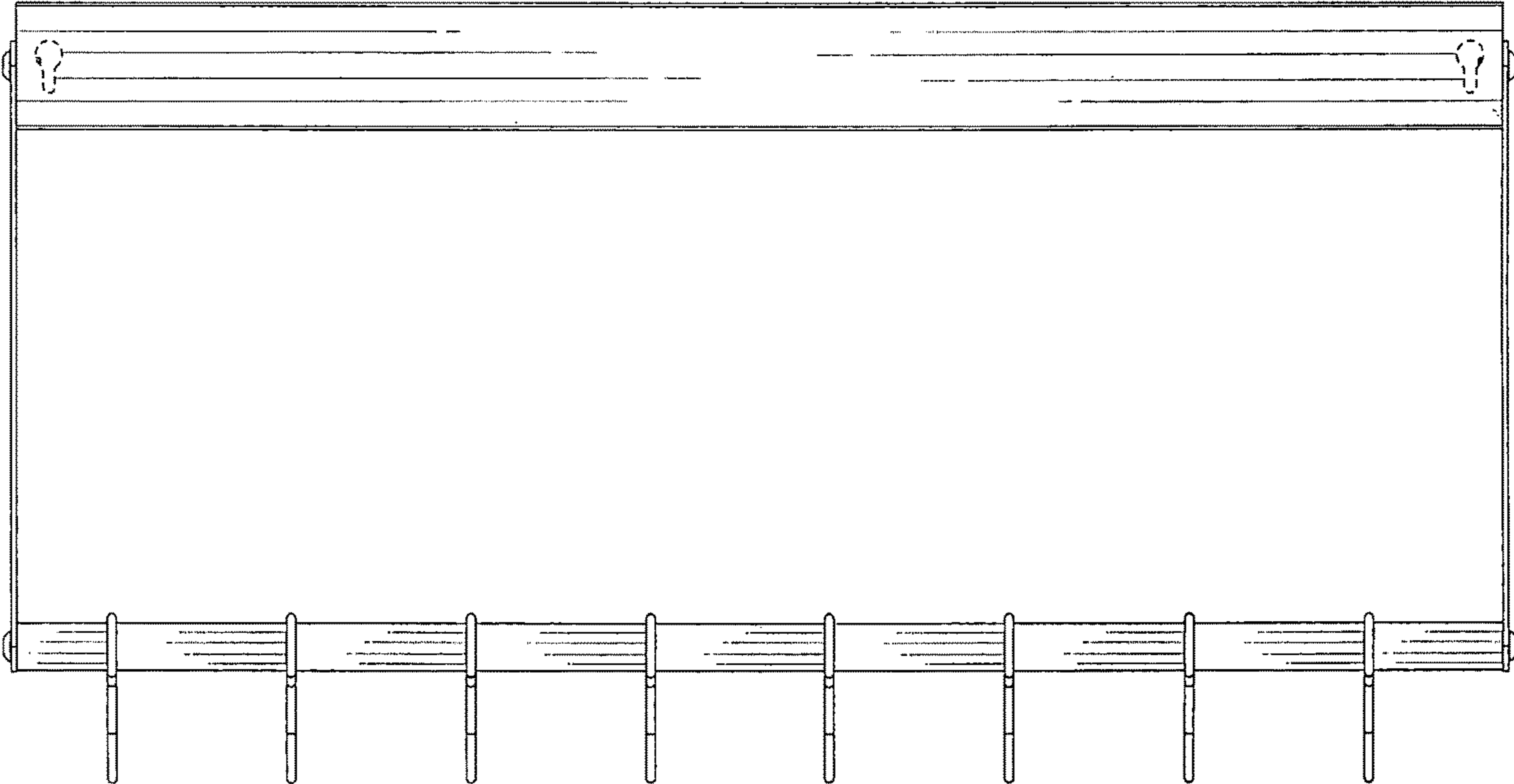


FIG. 3

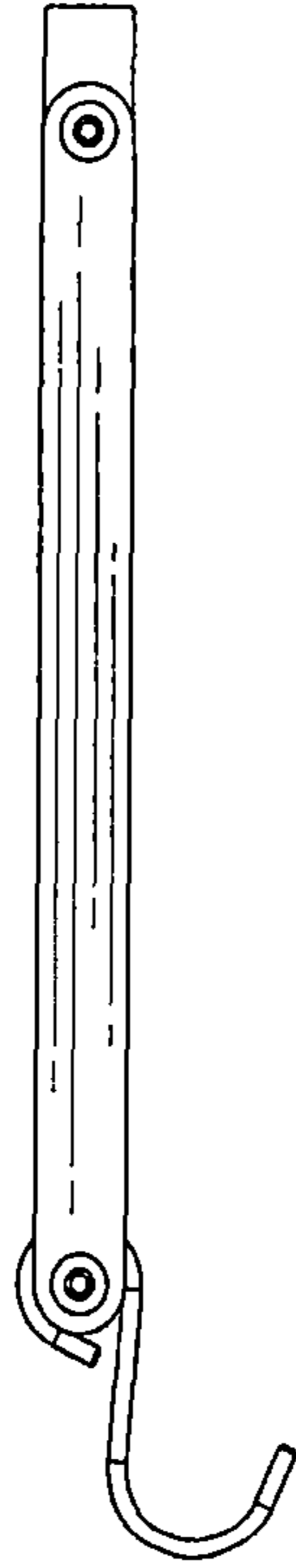


FIG. 4

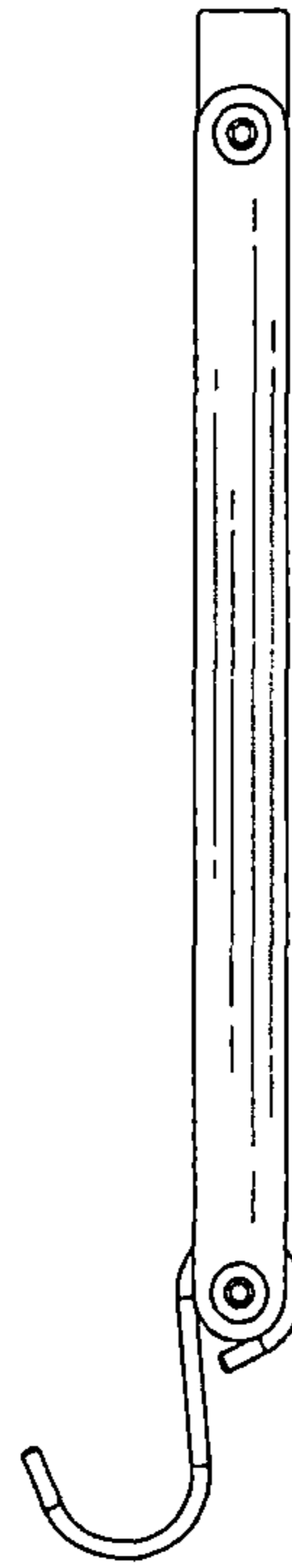


FIG. 5

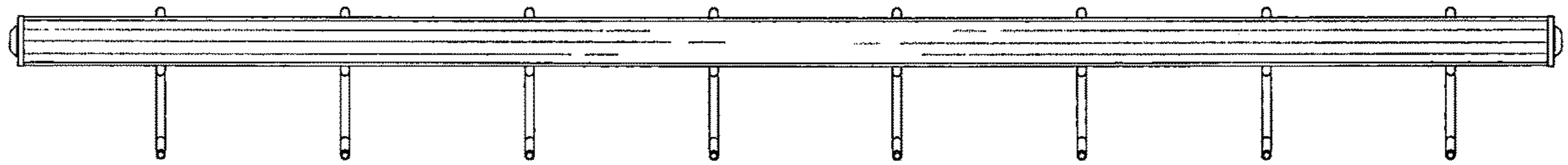


FIG. 6

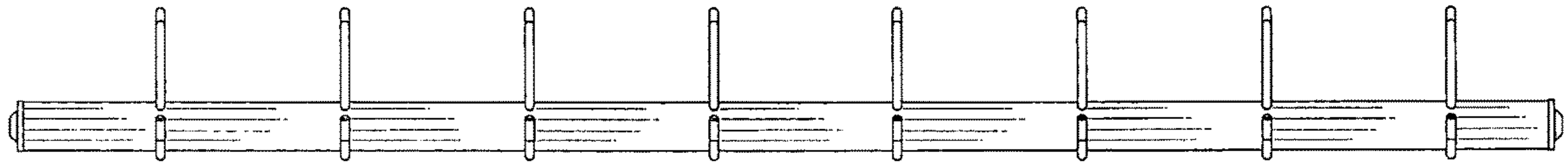


FIG. 7