



US00D976060S

(12) **United States Design Patent** (10) **Patent No.:** **US D976,060 S**
Xu (45) **Date of Patent:** **** Jan. 24, 2023**

(54) **LUNCH BOX**
(71) Applicant: **DONGGUAN OUMENG HOUSEWARE PRODUCTS CO., LTD, Dongguan (CN)**
(72) Inventor: **Jingsheng Xu, Yueyang (CN)**
(73) Assignee: **DONGGUAN OUMENG HOUSEWARE PRODUCTS CO., LTD, Dongguan (CN)**

D953,129 S 5/2022 Swartz et al.
11,319,135 B2 * 5/2022 Kieling B65D 43/162
D953,731 S * 6/2022 Lee B65D 43/162
D3/203.2
D958,147 S * 7/2022 Vautour D14/440
D964,808 S * 9/2022 Xu B65D 25/06
D7/541
2011/0114526 A1 * 5/2011 Neumann A45C 11/20
206/459.5
2014/0103033 A1 * 4/2014 Beckman B65D 1/34
220/4.01
2019/0375551 A1 * 12/2019 Bell B65D 25/06

(**) Term: **15 Years**

OTHER PUBLICATIONS

(21) Appl. No.: **29/856,850**
(22) Filed: **Oct. 18, 2022**
(51) **LOC (14) Cl.** **09-07**
(52) **U.S. Cl.**
USPC **D7/629**
(58) **Field of Classification Search**
USPC D7/602, 609, 629, 630, 701, 703, 391,
D7/392.1, 397; D9/416, 424, 425, 426,
D9/430, 432, 435, 761; D19/102, 106;
D3/201, 203.6, 273
CPC ... B65D 1/26; B65D 1/40; B65D 5/24; B65D
81/34; B65D 81/3453; B65D 2581/34;
B65D 2581/3437
See application file for complete search history.

Depila sandwich storage box | posted at Amazon.com, no posting date, © 1996-2022 Amazon.com, [online], [site visited Nov. 19, 2022]. Available from Internet, <URL: <https://www.amazon.com/DEPILA-Sandwich-Reusable-Microwave-Containers/dp/B0BKSL438/>> (Year: 2022).*

* cited by examiner

Primary Examiner — Andrew Kerr

(57) **CLAIM**

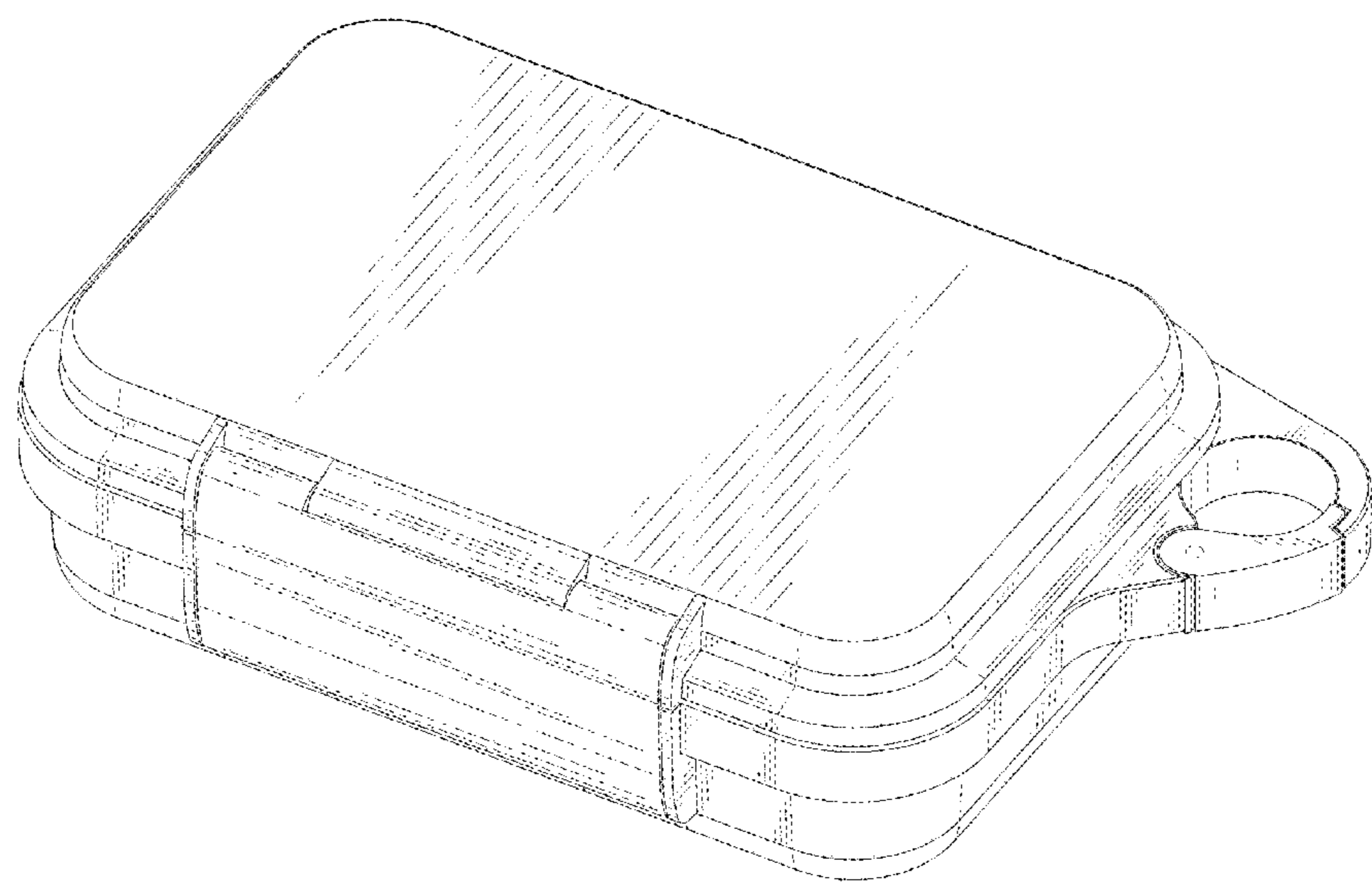
The ornamental design for a lunch box, as shown and described.

DESCRIPTION

FIG. 1 is a perspective view of a lunch box showing my new design;
FIG. 2 is another perspective view thereof;
FIG. 3 is a front elevational view thereof;
FIG. 4 is a rear elevational view thereof;
FIG. 5 is a left side elevational view thereof;
FIG. 6 is a right side elevational view thereof;
FIG. 7 is a top plan view thereof; and,
FIG. 8 is a bottom plan view thereof.
The broken lines in the drawings depict portions of the lunch box that form no part of the claimed design.

1 Claim, 8 Drawing Sheets

(56) **References Cited**
U.S. PATENT DOCUMENTS
D832,656 S 11/2018 Sun et al.
D878,876 S * 3/2020 Dalton D7/629
D882,262 S * 4/2020 Zhang D3/294
D899,200 S * 10/2020 Xu A45C 11/20
D7/629
D913,758 S * 3/2021 Diener D7/709
D938,162 S * 12/2021 Chui D3/206
D939,212 S * 12/2021 Saxton B65D 1/34
D3/294
D951,727 S * 5/2022 Zhong D7/703



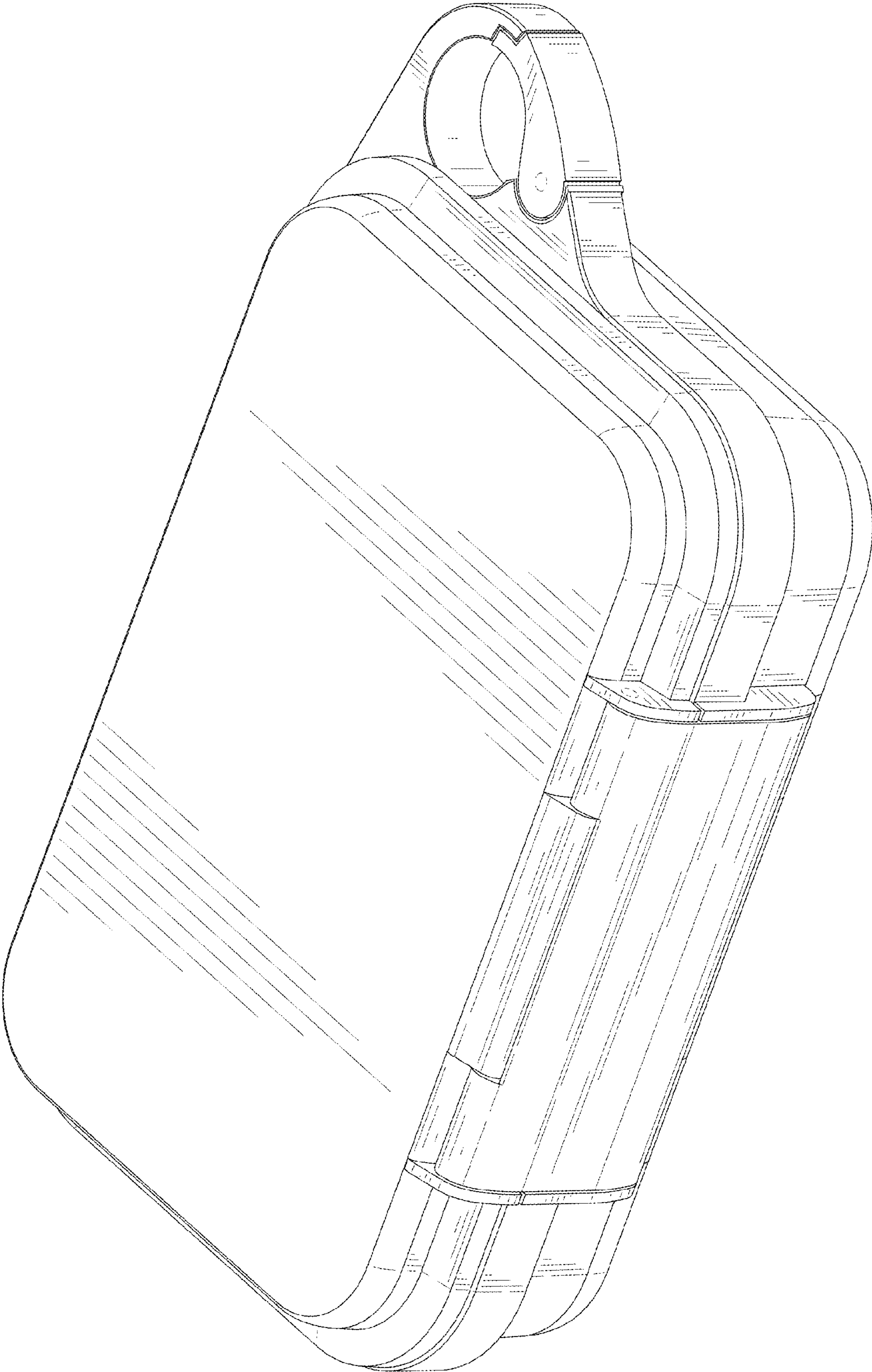


FIG. 1



FIG. 2

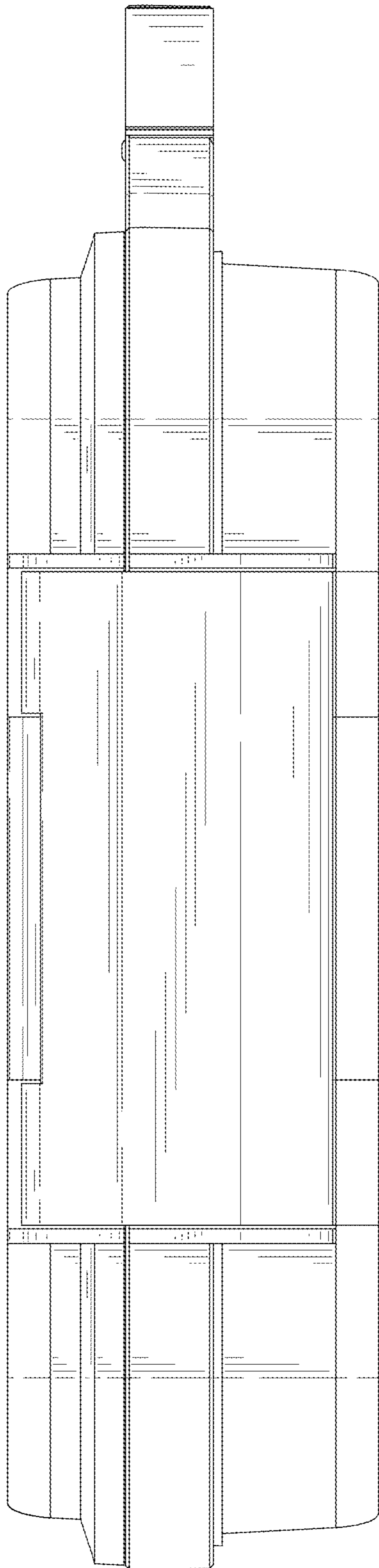


FIG. 3

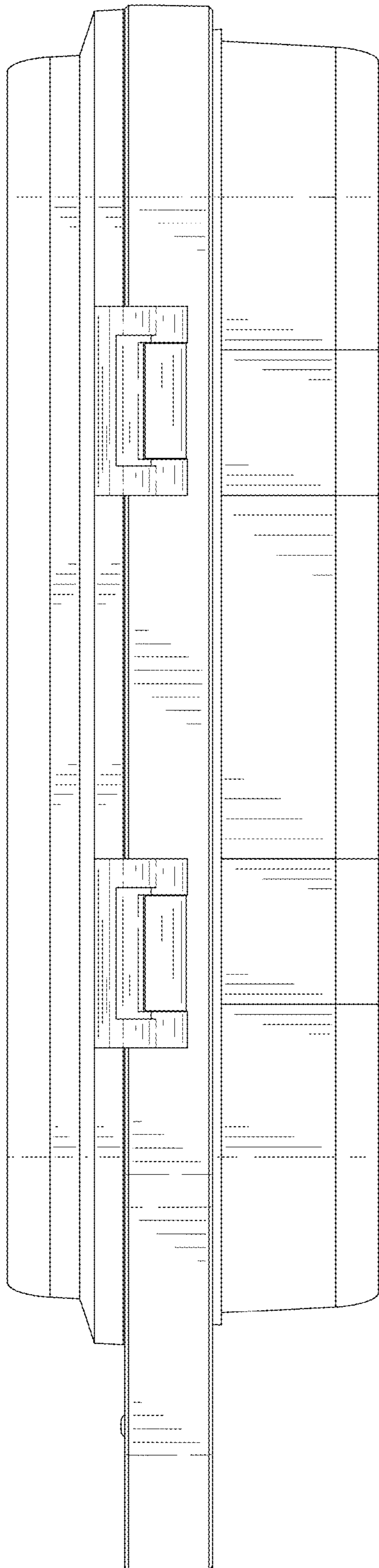


FIG. 4

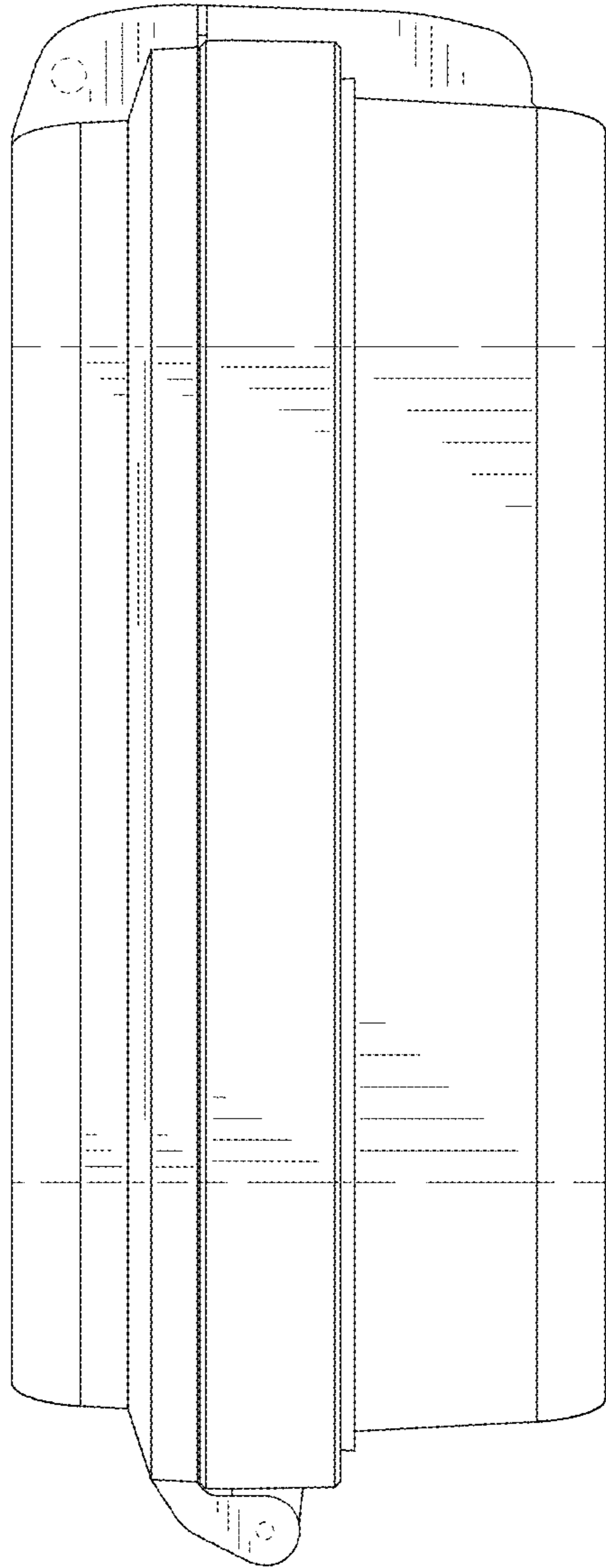


FIG. 5

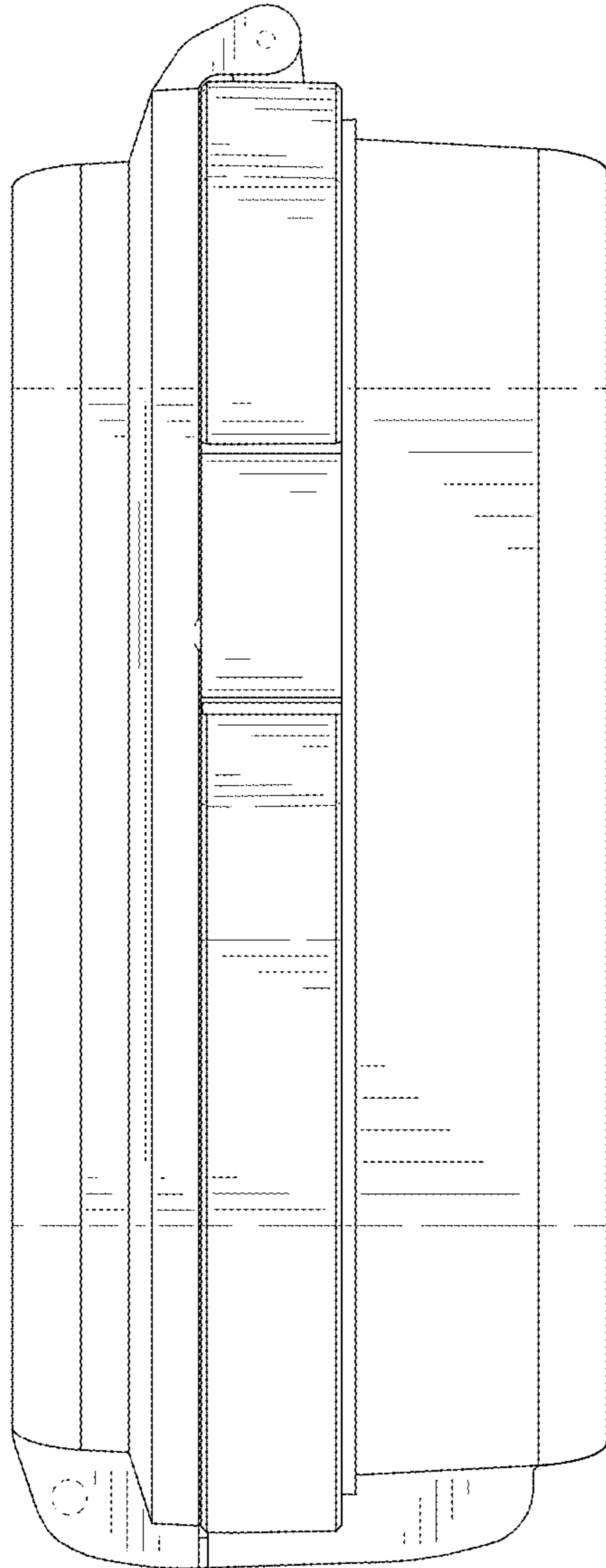


FIG. 6

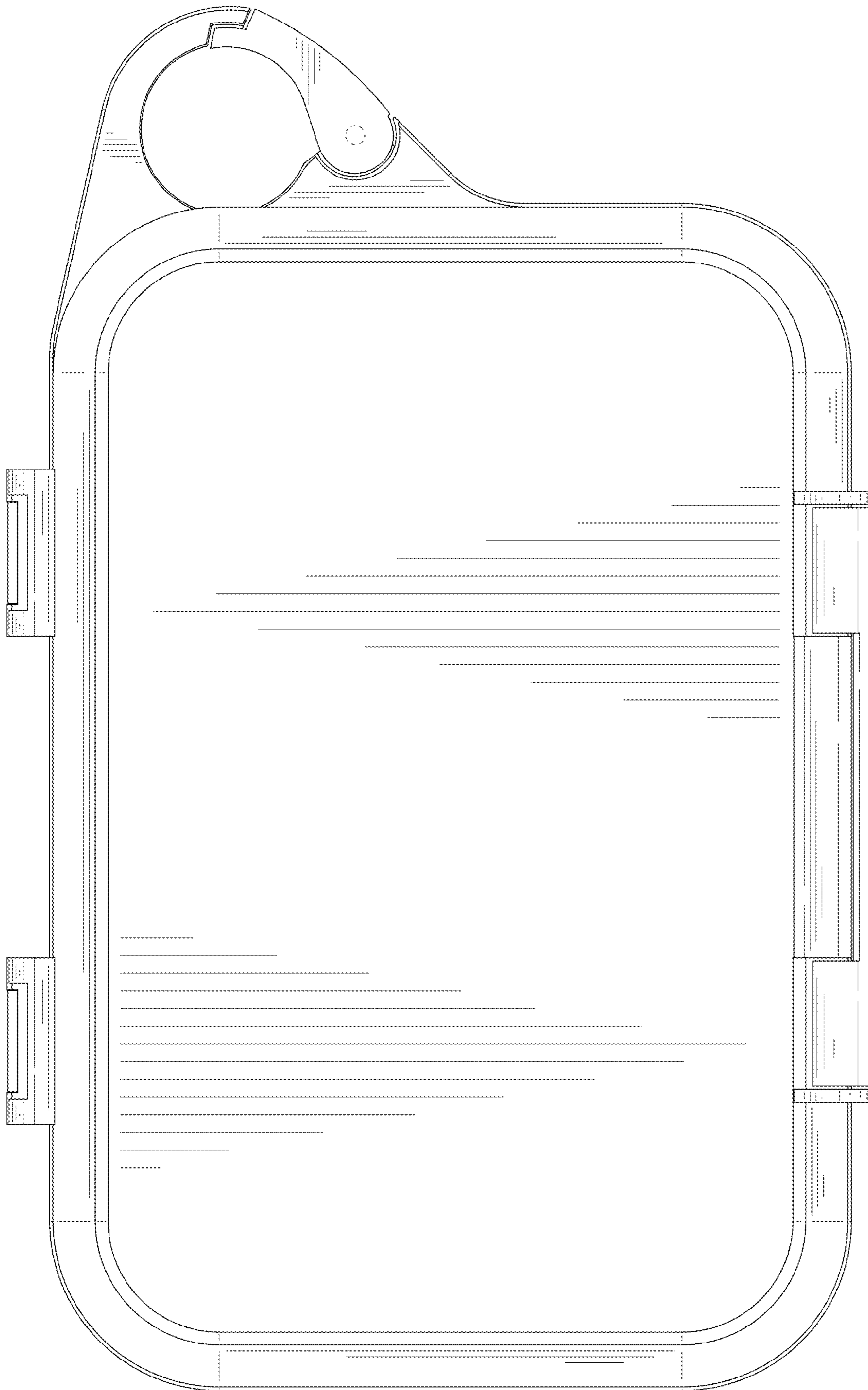


FIG. 7

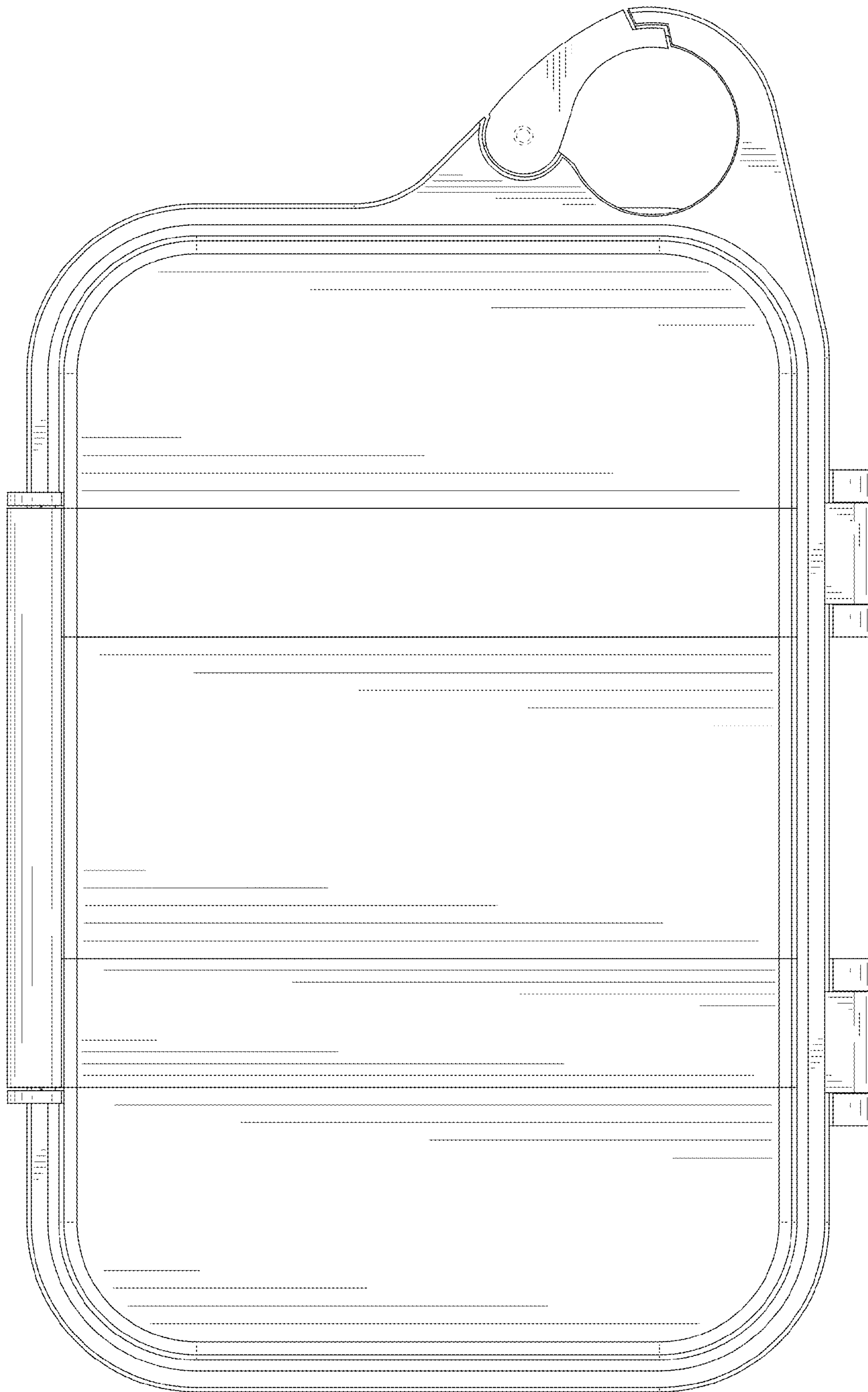


FIG. 8