



US00D976058S

(12) **United States Design Patent** (10) **Patent No.:** **US D976,058 S**
Drori (45) **Date of Patent:** **** Jan. 24, 2023**

(54) **BOWL**
(71) Applicant: **Daily Harvest, Inc.**, New York, NY (US)
(72) Inventor: **Rachel Drori**, New York, NY (US)
(73) Assignee: **Daily Harvest, Inc.**, New York, NY (US)
(**) Term: **15 Years**

D651,866 S * 1/2012 Smyers D7/630
D685,263 S * 7/2013 Danenberg D9/500
D760,951 S * 7/2016 Bennett D7/545
D761,061 S * 7/2016 McConnell D7/587
D850,250 S * 6/2019 Lin D9/428
D850,251 S * 6/2019 Lin D9/428
D850,252 S * 6/2019 Lin D9/428
D885,140 S * 5/2020 Jordan D7/605
10,729,261 B2 * 8/2020 Ellison A47G 19/02
D909,819 S * 2/2021 Ellison D7/587
D911,780 S * 3/2021 Ellison D7/587

(Continued)

(21) Appl. No.: **29/730,585**
(22) Filed: **Apr. 6, 2020**
(51) **LOC (14) Cl.** **07-01**
(52) **U.S. Cl.**
USPC **D7/587**
(58) **Field of Classification Search**
USPC D7/501, 610, 550.1, 554.1, 558, 500,
D7/587, 584, 629, 585, 586, 588, 554.2;
108/142; 220/574.3; D9/416, 500, 429,
D9/428
CPC B65D 21/086; B65D 51/185; A47G
19/2283; A47G 19/03; A47G 19/02; A47J
43/0727; A47J 27/002
See application file for complete search history.

Primary Examiner — Cynthia R Underwood
(74) Attorney, Agent, or Firm — McCarter & English, LLP

(57) **CLAIM**

The ornamental design for a bowl, as shown and described.

DESCRIPTION

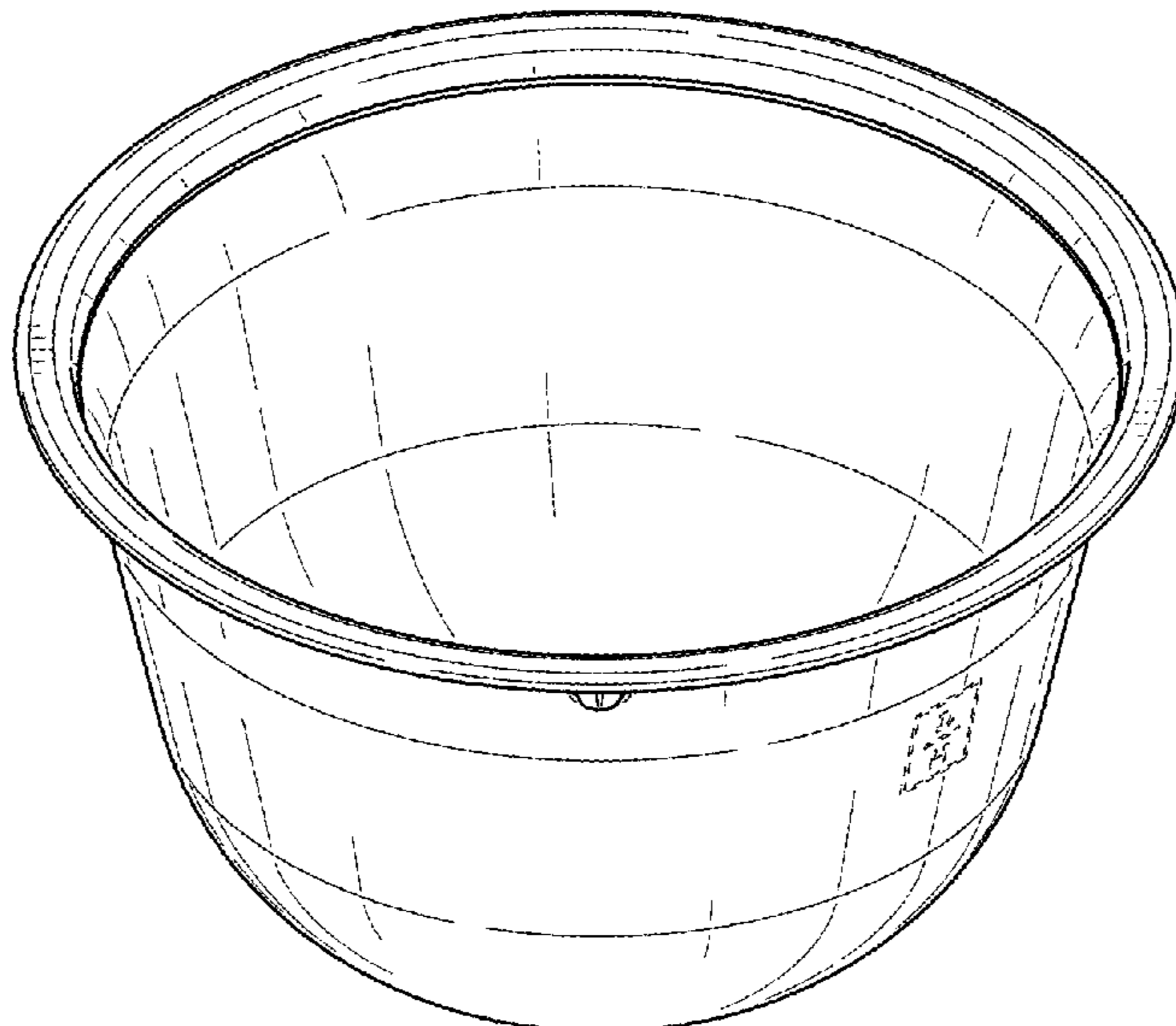
FIG. 1 is a perspective view of a bowl showing the new design;
FIG. 2 is a front view thereof,
FIG. 3 is a rear view thereof;
FIG. 4 is a right side view thereof;
FIG. 5 is a left side view;
FIG. 6 is a top view thereof;
FIG. 7 is a bottom view thereof;
FIG. 8 is a perspective view of another bowl showing the new design;
FIG. 9 is a front view thereof,
FIG. 10 is a rear view thereof;
FIG. 11 is a right side view thereof;
FIG. 12 is a left side view;
FIG. 13 is a top view thereof; and,
FIG. 14 is a bottom view thereof.
The broken lines in FIGS. 1, 2, 4, 5, 7, 8, 9, 11, 12, and 14 are included for the purpose of illustrating environment and form no part of the claimed design.

(56) **References Cited**

U.S. PATENT DOCUMENTS

D119,166 S * 2/1940 Guild D7/565
2,492,892 A * 12/1949 Schlumbohm A47J 27/002
D7/584
3,391,847 A * 7/1968 Christine B65D 51/185
229/125.05
D271,665 S * 12/1983 Garwood D9/558
D285,774 S * 9/1986 MacLaughlin D9/429
D285,775 S * 9/1986 MacLaughlin D9/429
D286,249 S * 10/1986 Carlson D7/587
D291,968 S * 9/1987 MacLaughlin D9/429
D361,956 S * 9/1995 Moore D9/500
D647,398 S * 10/2011 Winkler D9/417

1 Claim, 8 Drawing Sheets



(56)

References Cited

U.S. PATENT DOCUMENTS

D915,828	S	*	4/2021	Schiermeier	D7/554.2
D916,543	S	*	4/2021	Cheng	D7/354
D916,544	S	*	4/2021	Cheng	D7/354
D918,643	S	*	5/2021	Cheng	D7/354
D919,428	S	*	5/2021	Shah	D9/428
D921,414	S	*	6/2021	Cheng	D7/354
D927,936	S	*	8/2021	Miller	D7/587
D933,427	S	*	10/2021	Ellison	D7/587
D933,428	S	*	10/2021	Ellison	D7/587
D939,345	S	*	12/2021	Drori	D9/428
D956,549	S	*	7/2022	Brivois	D9/416

* cited by examiner

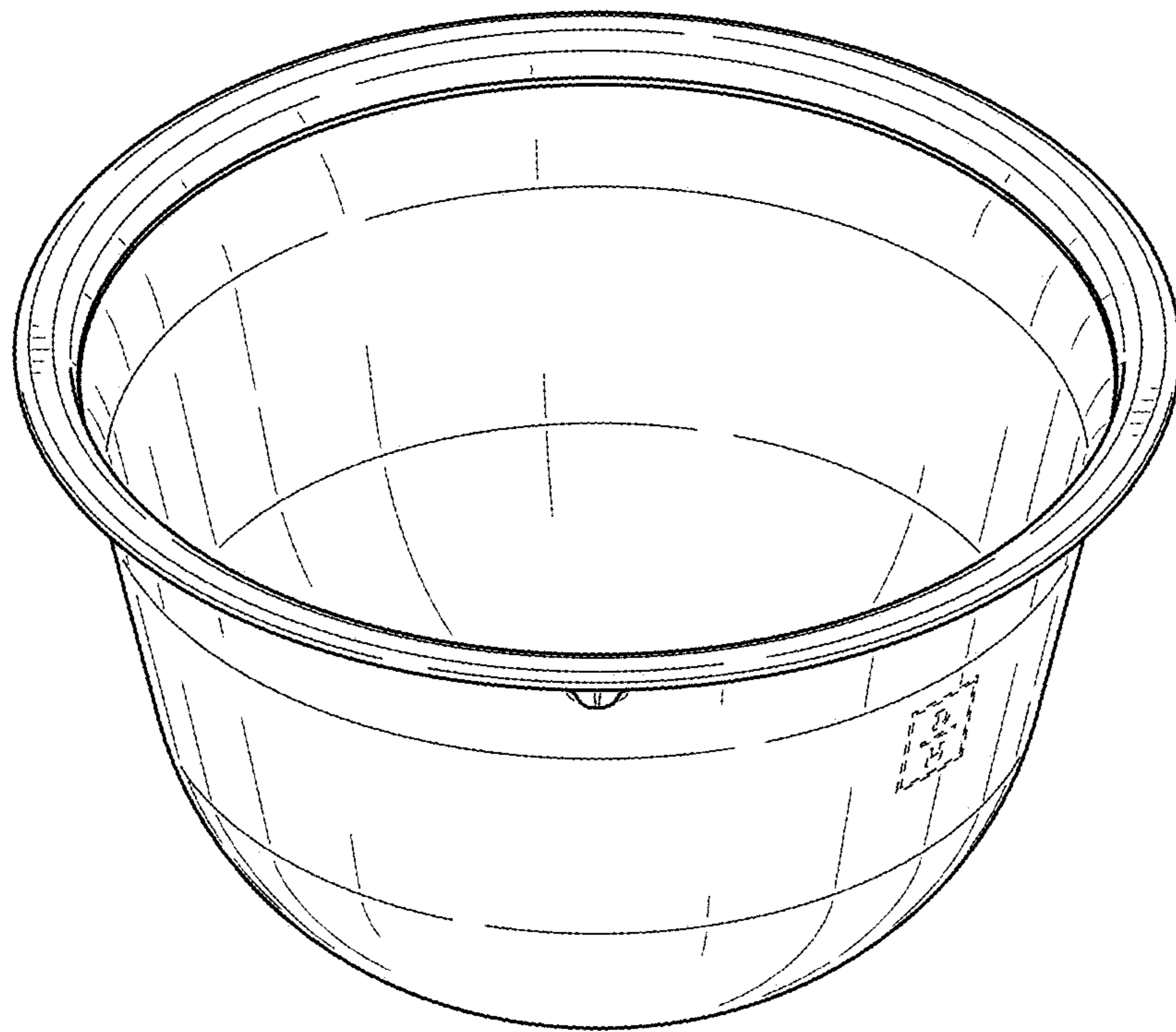


FIG. 1

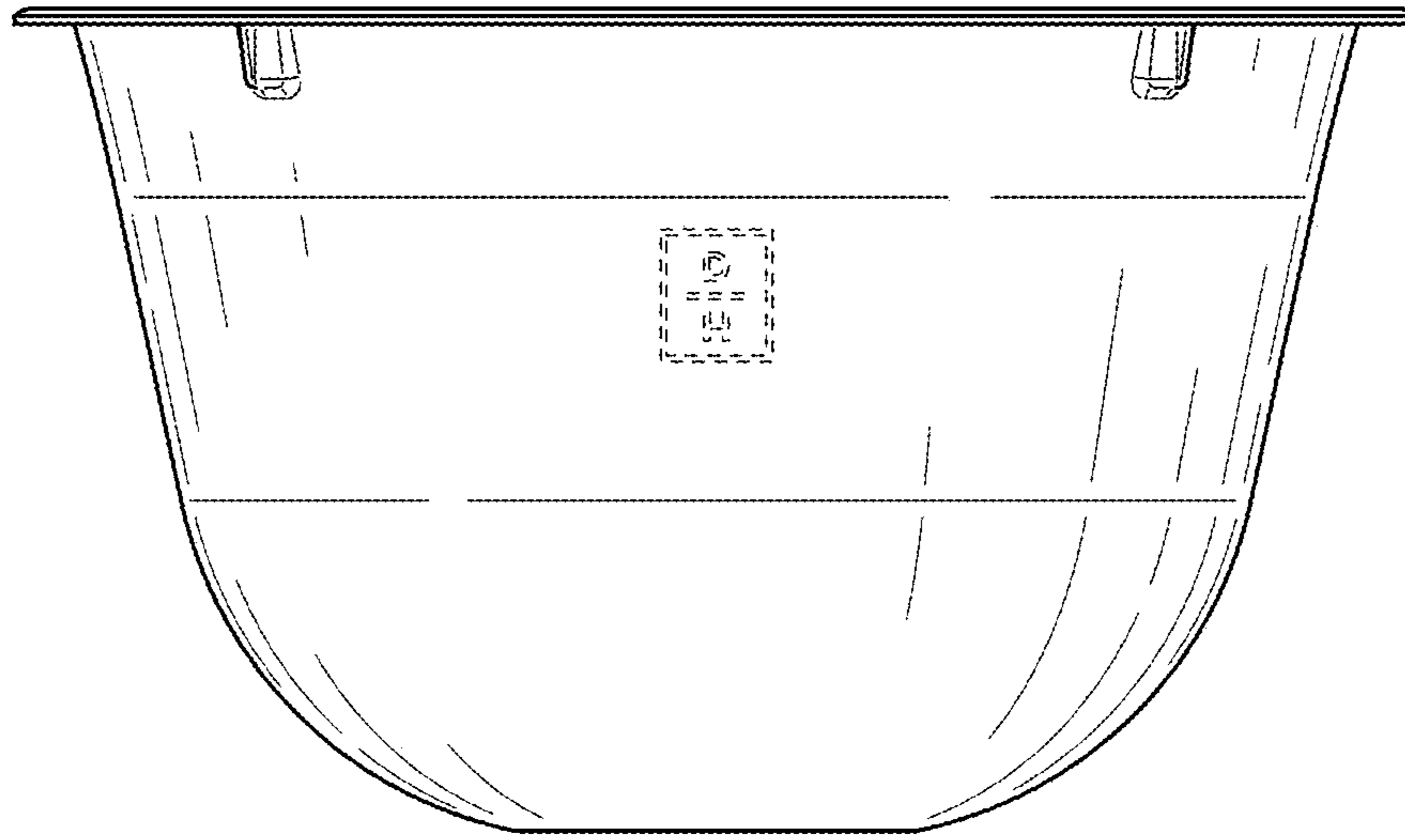


FIG. 2

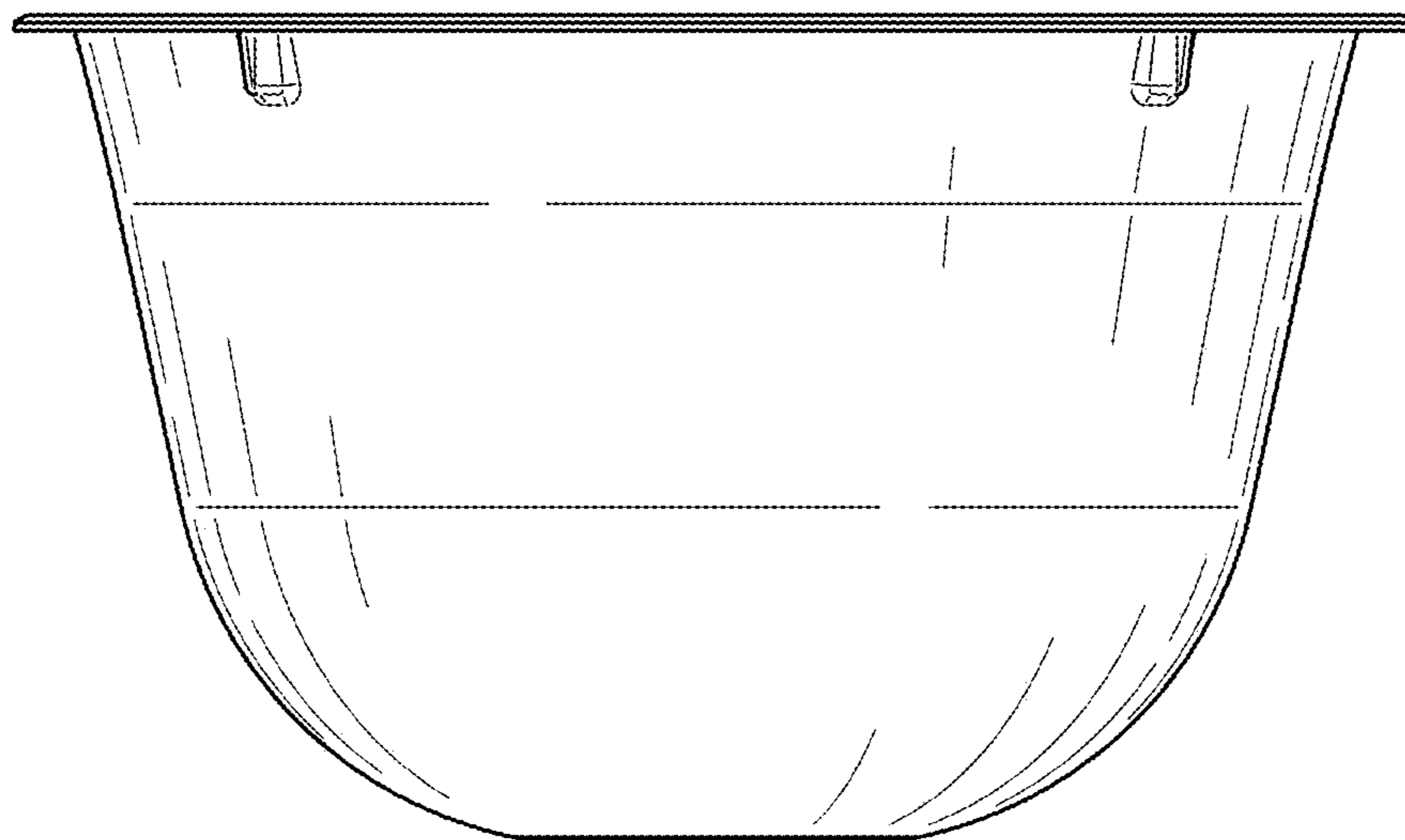


FIG. 3

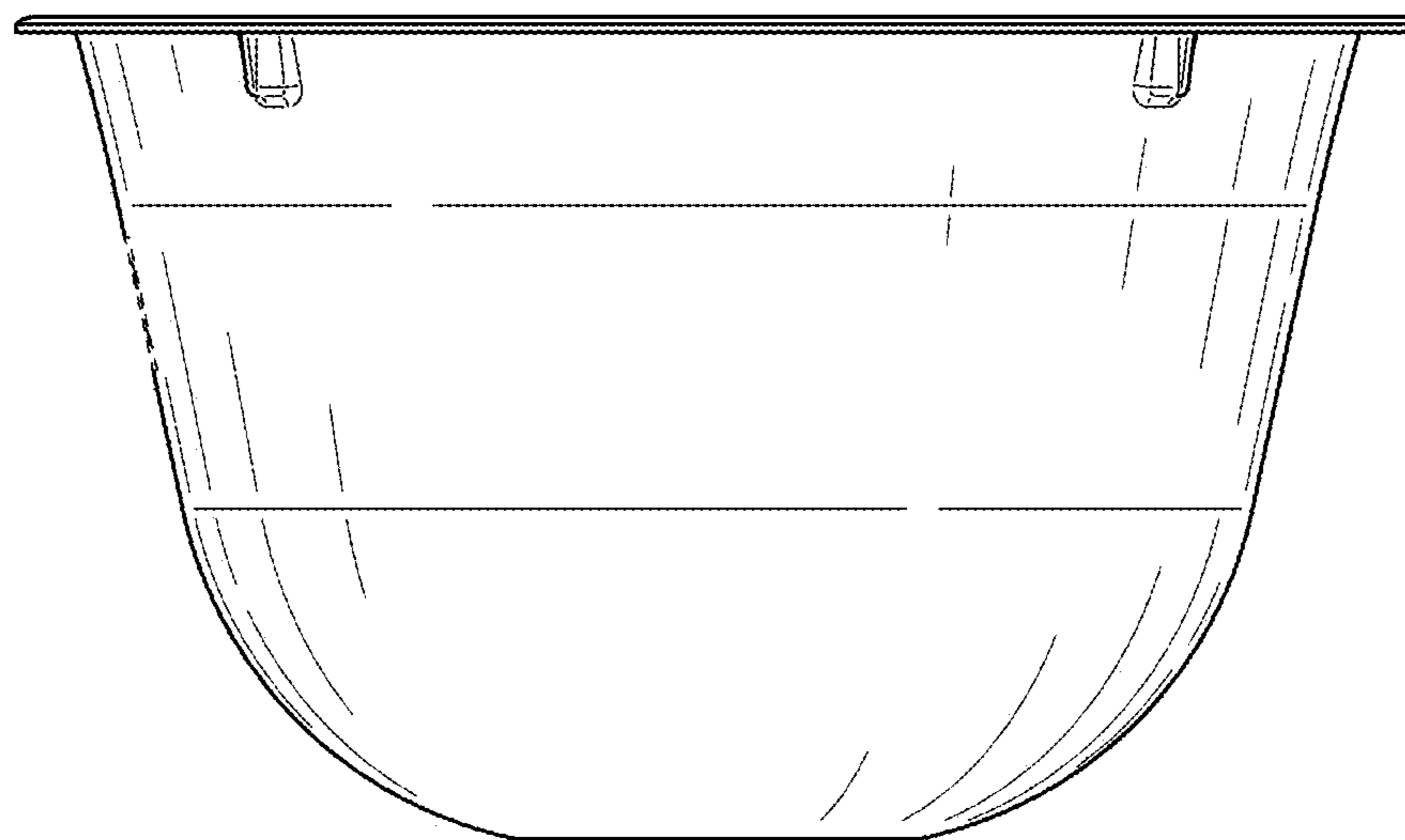


FIG. 4

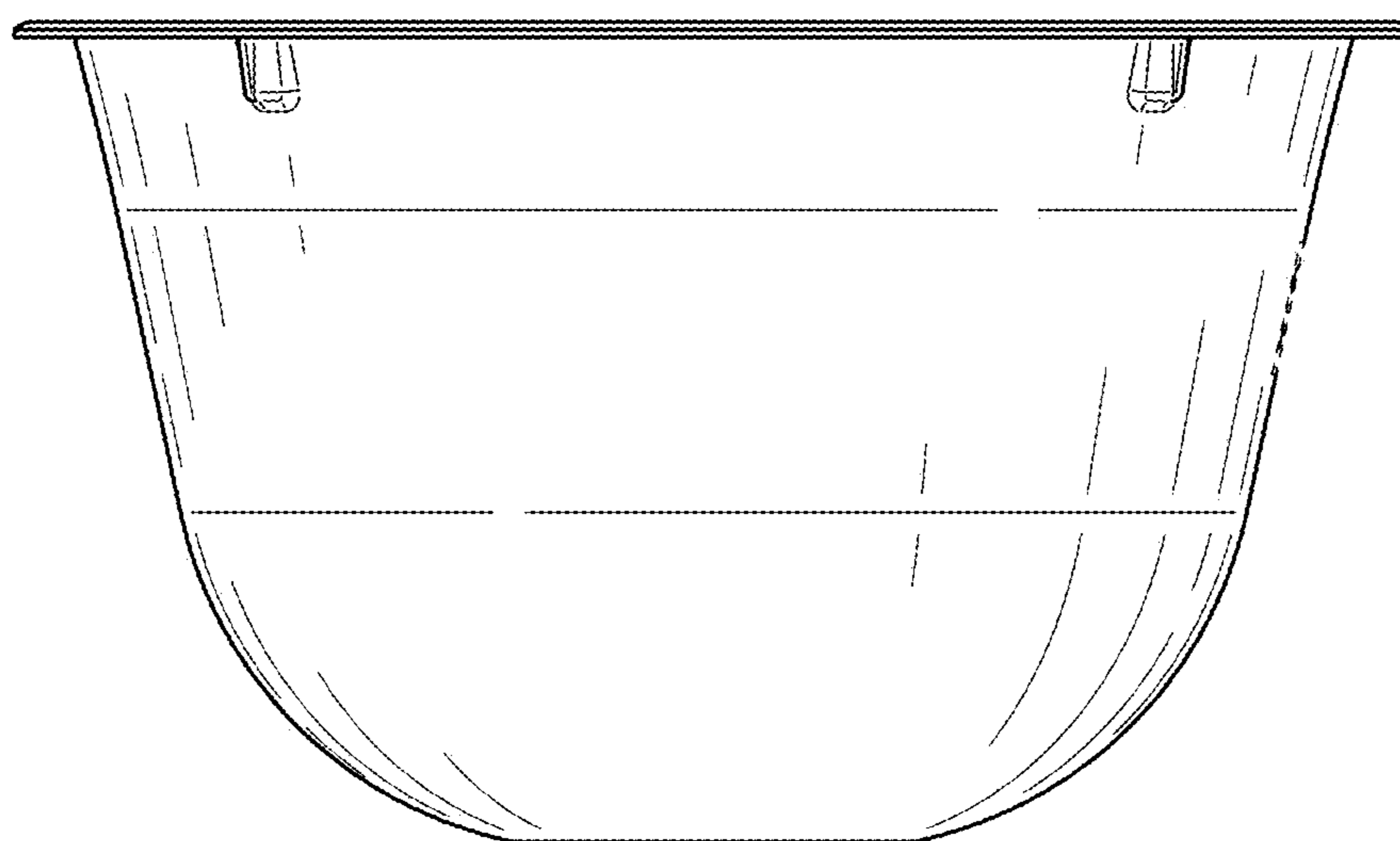


FIG. 5

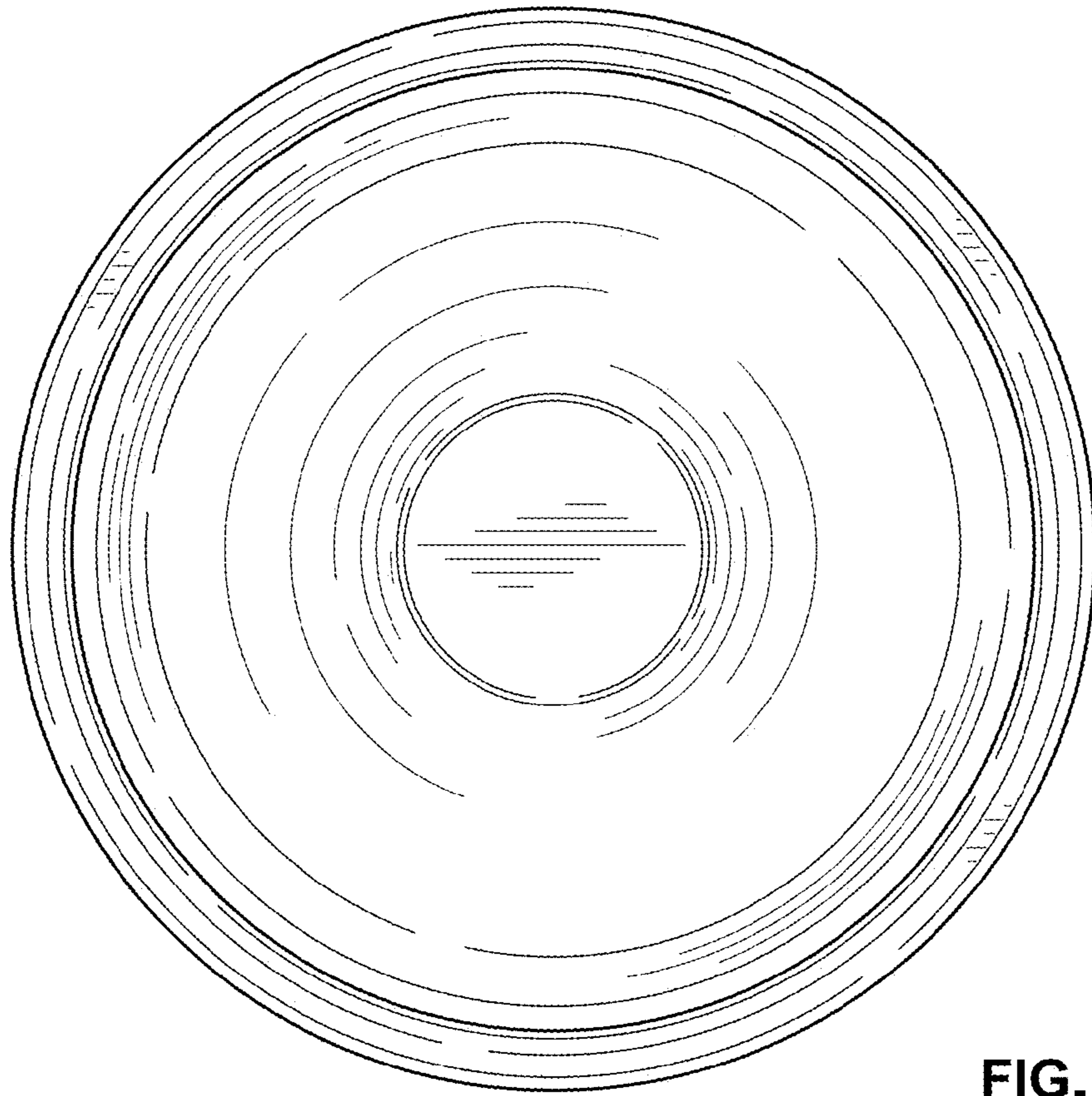


FIG. 6

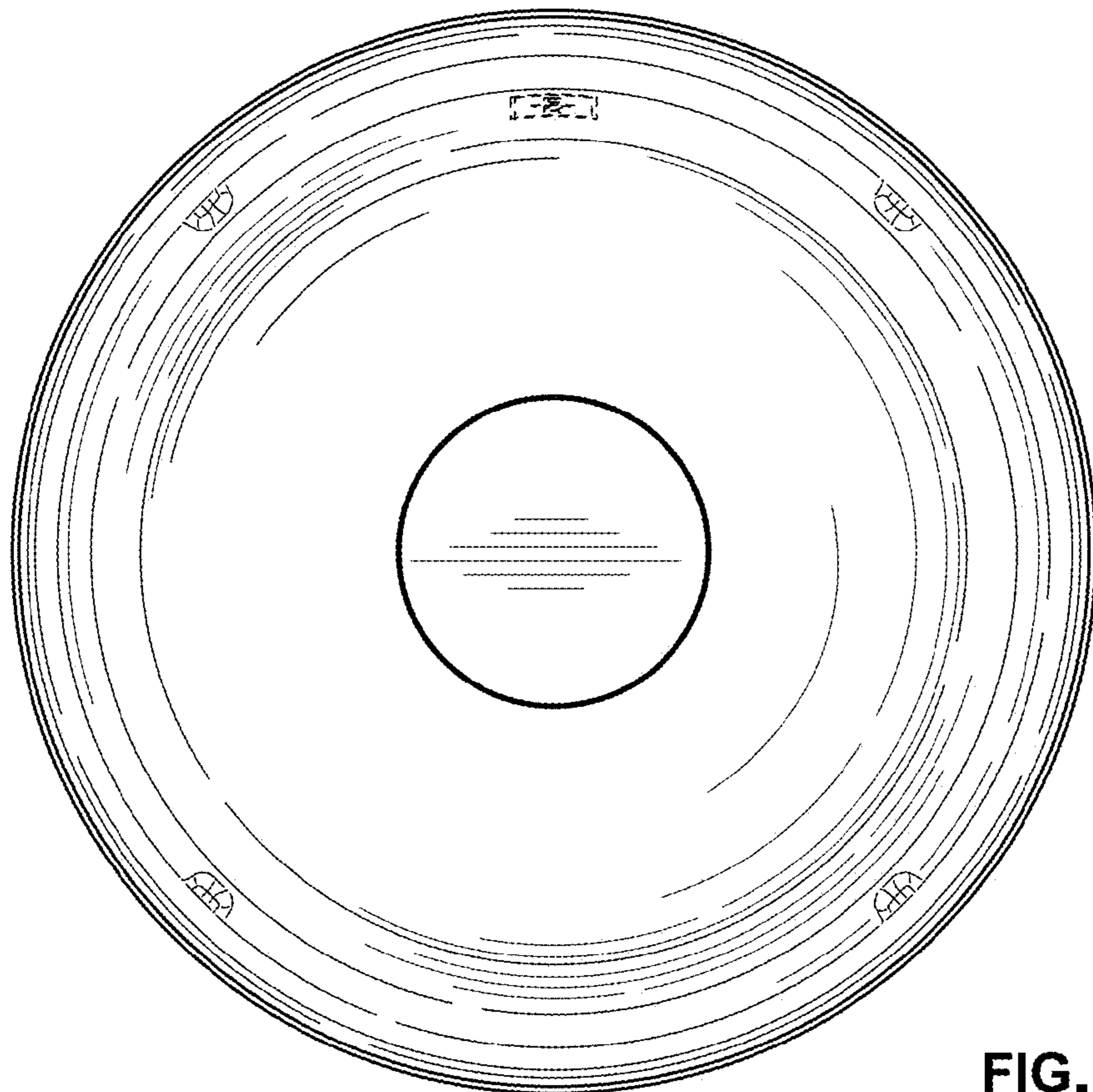


FIG. 7

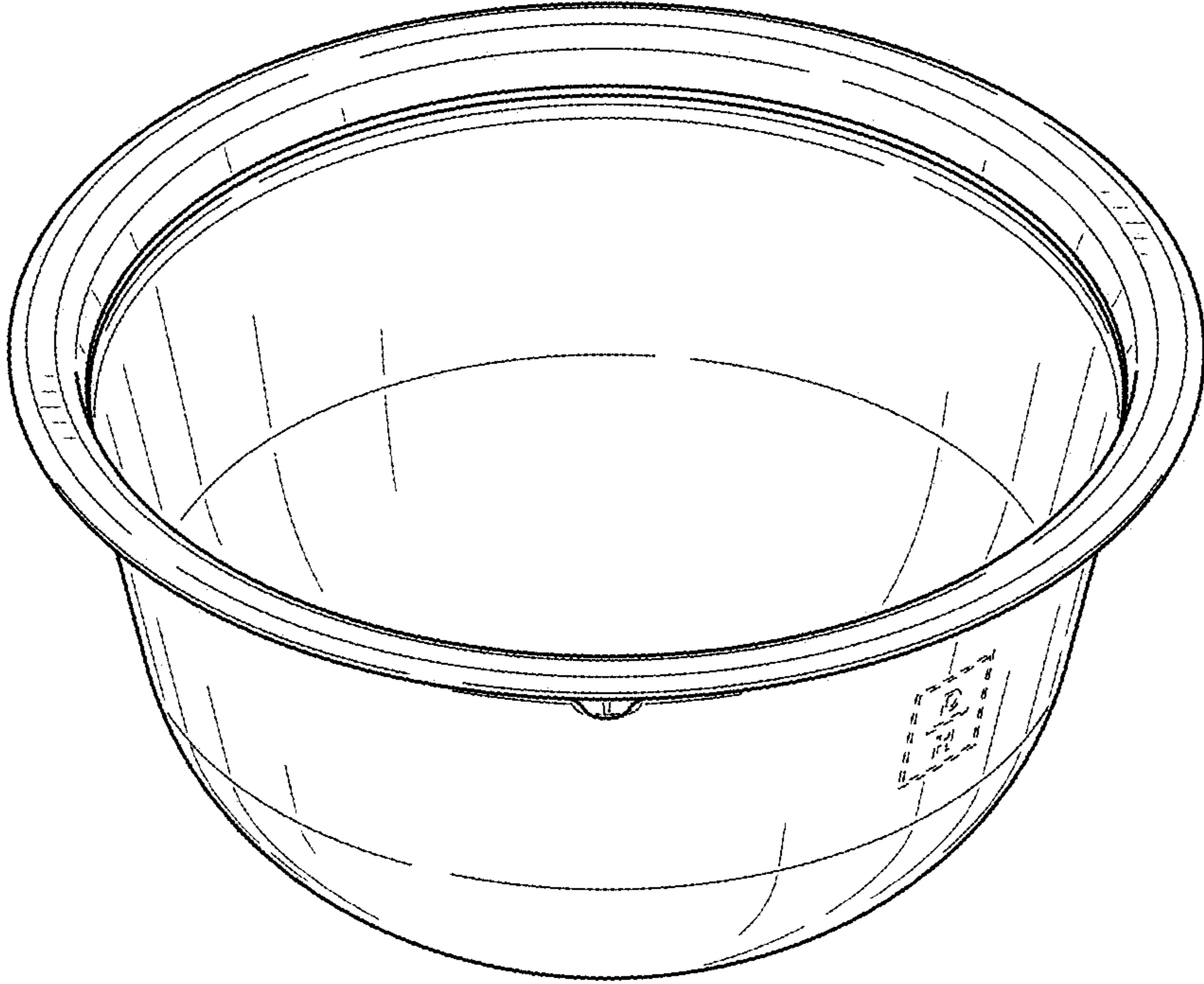


FIG. 8

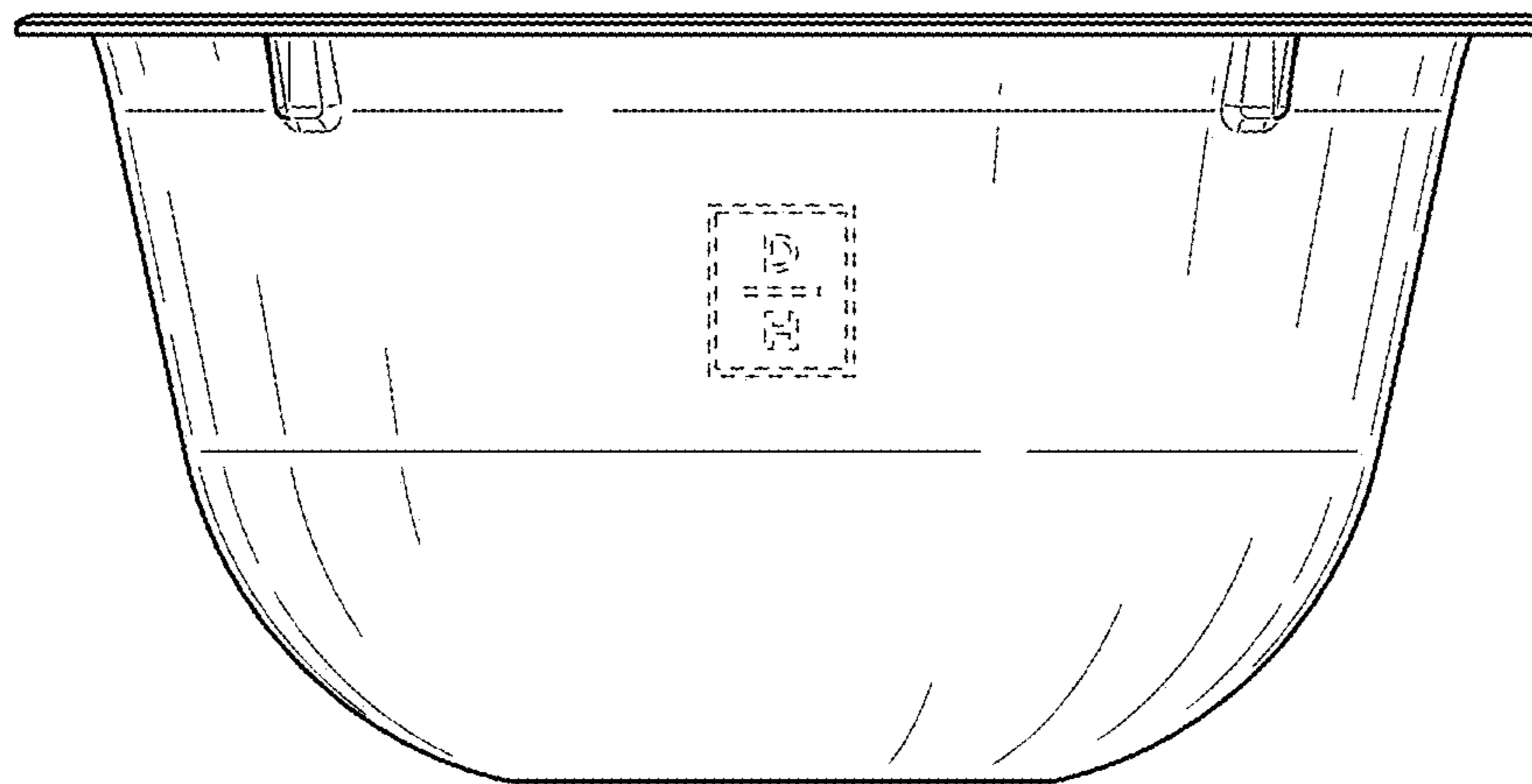


FIG. 9

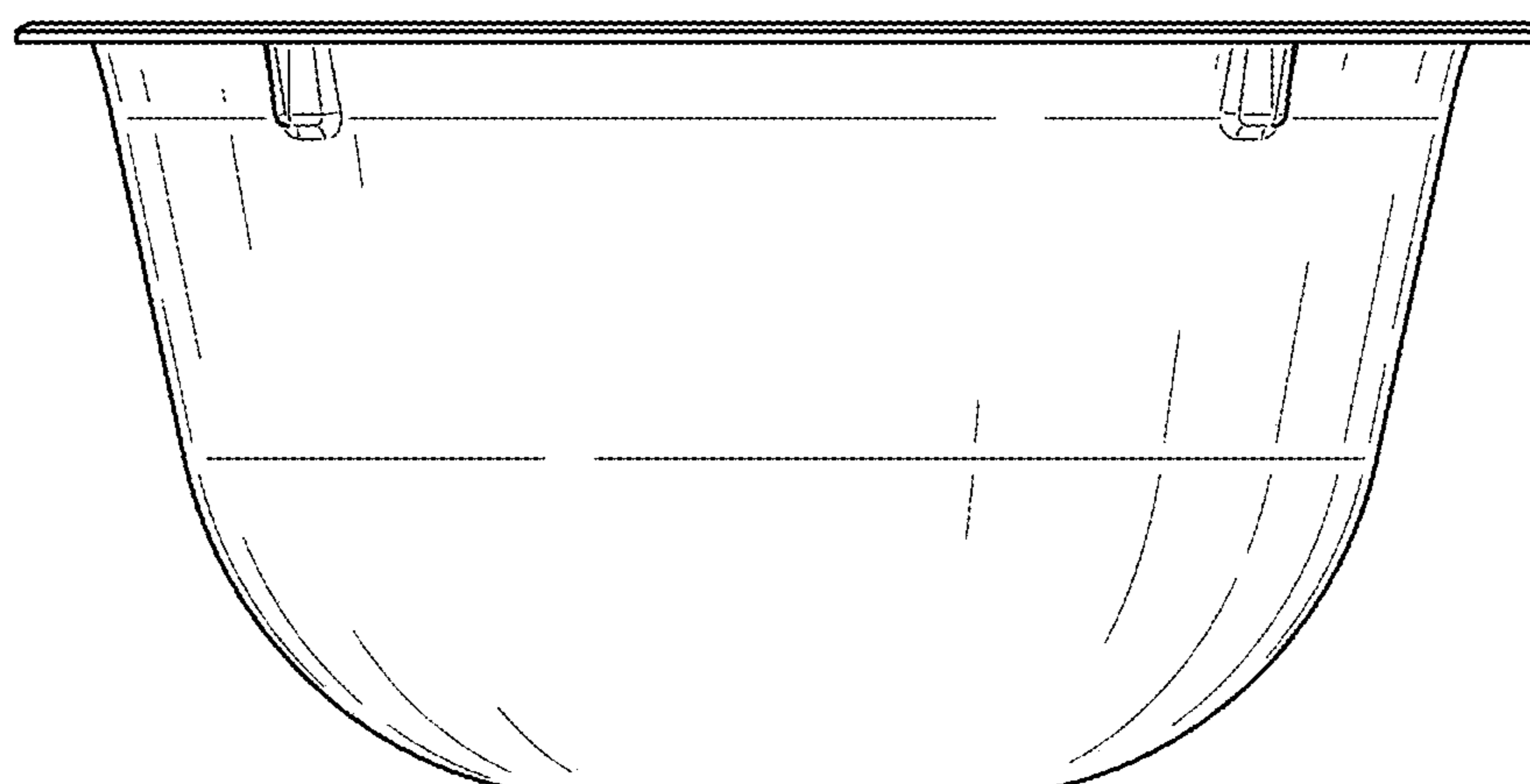


FIG. 10

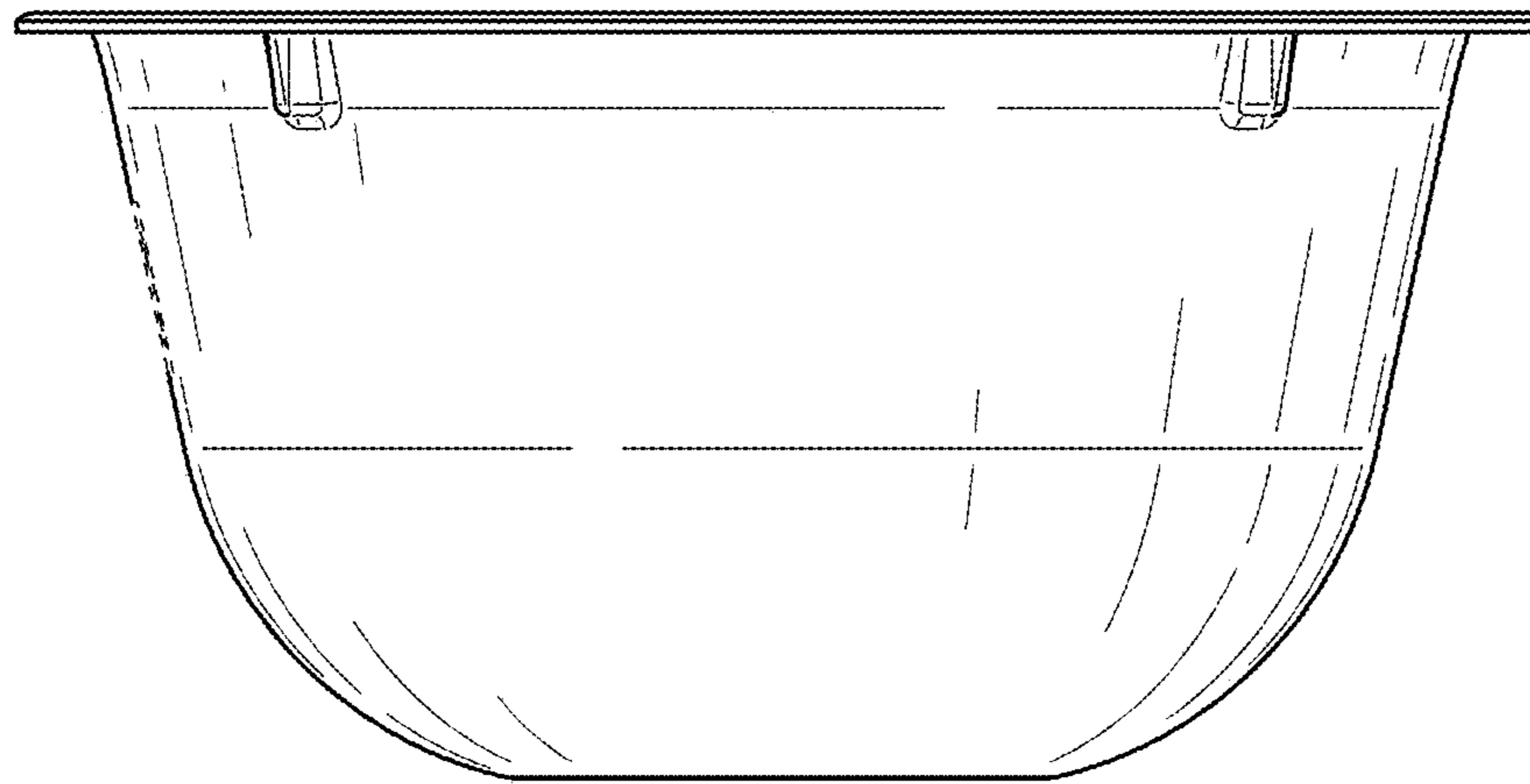


FIG. 11

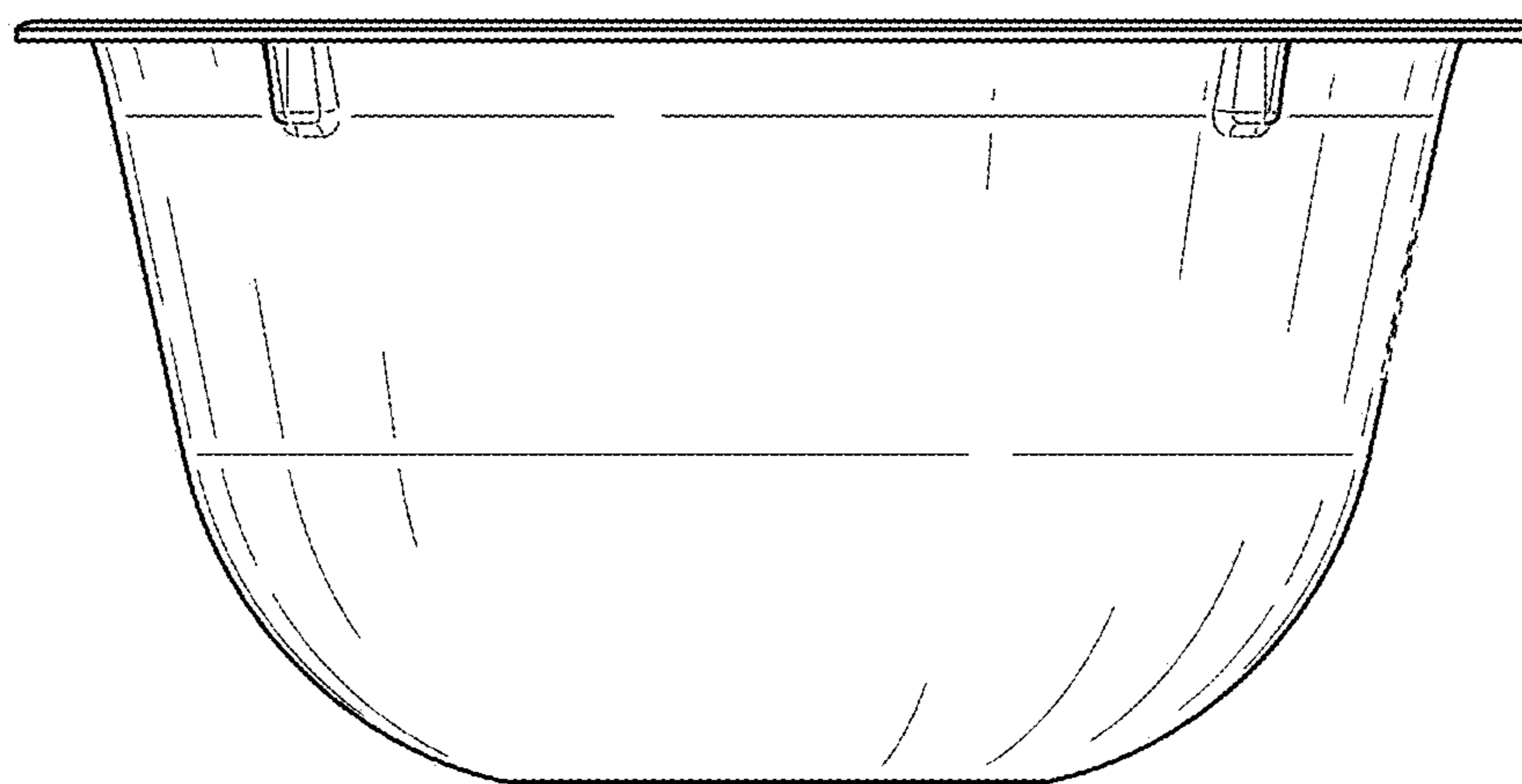


FIG. 12

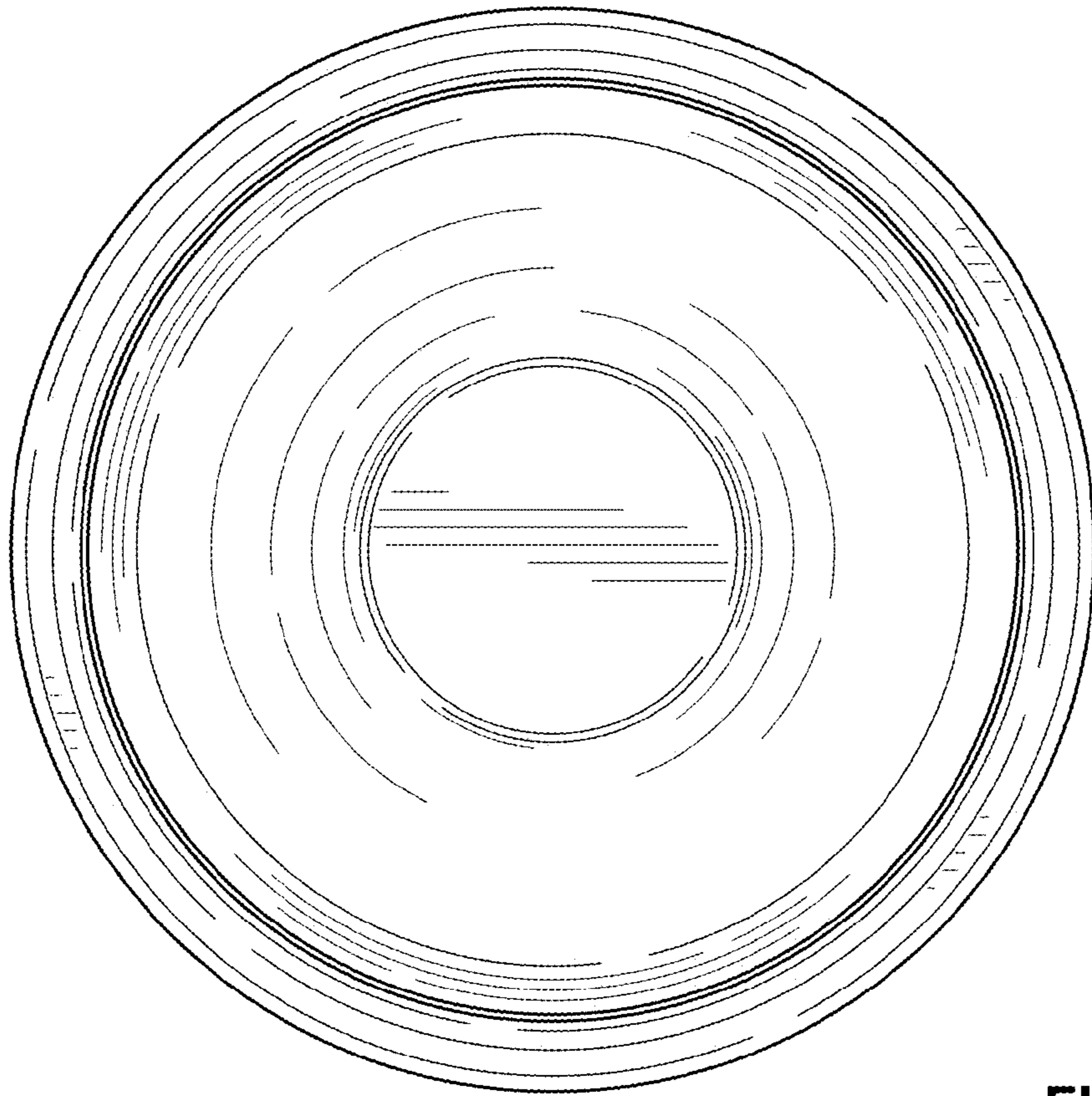


FIG. 13

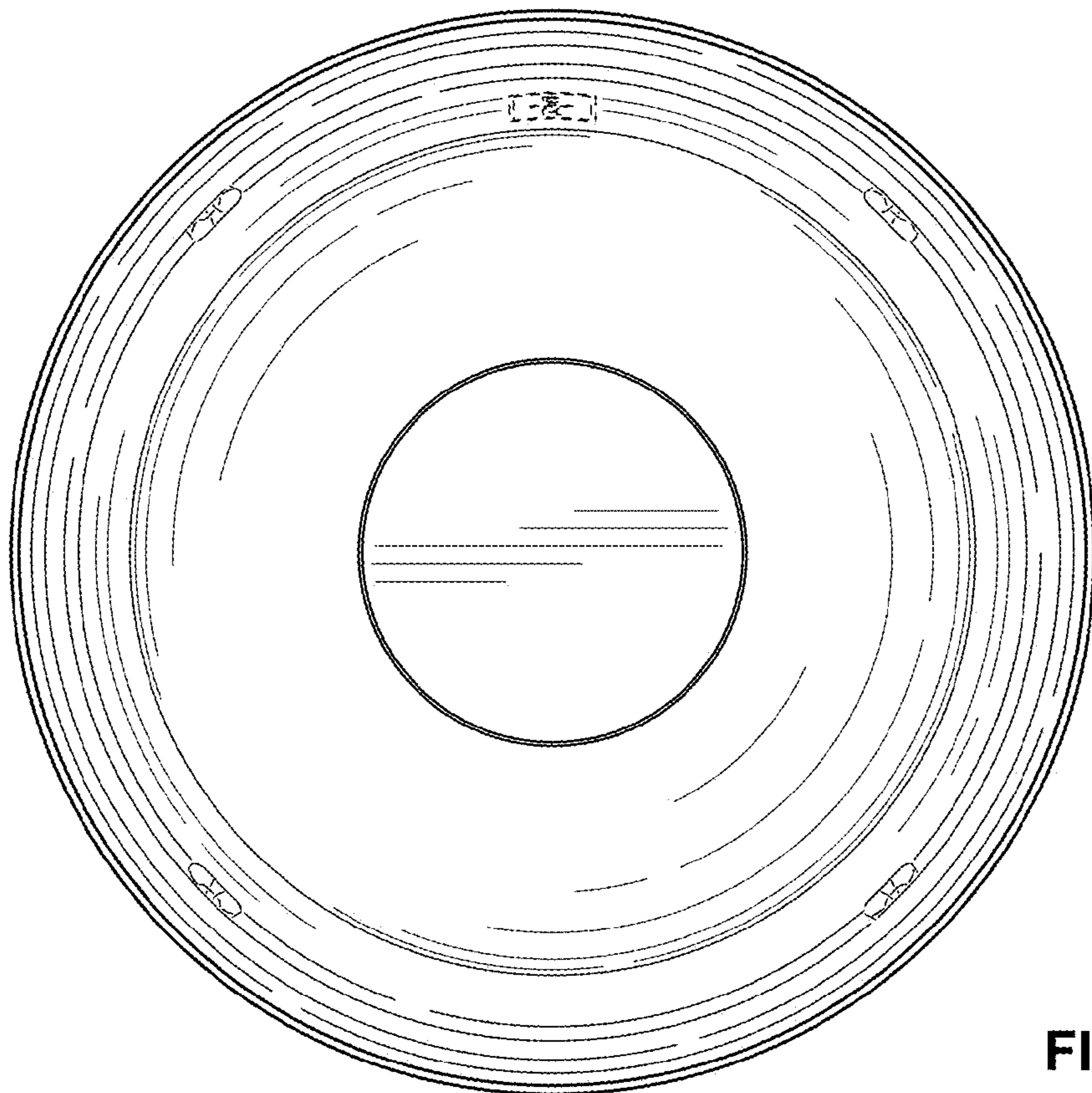


FIG. 14