



US00D976057S

(12) **United States Design Patent**
Holstine et al.

(10) **Patent No.:** **US D976,057 S**

(45) **Date of Patent:** **** Jan. 24, 2023**

(54) **THIN-WALLED METAL FOOD BOWL**

(71) Applicant: **Silgan Containers LLC**, Woodland Hills, CA (US)

(72) Inventors: **Rowdy Holstine**, Hartford, WI (US); **Bambi Biedenbender**, Waukesha, WI (US); **Russell Riedel**, Watertown, WI (US)

(73) Assignee: **Silgan Containers LLC**, Woodland Hills, CA (US)

(**) Term: **15 Years**

(21) Appl. No.: **29/756,269**

(22) Filed: **Oct. 27, 2020**

(51) **LOC (14) Cl.** **07-01**

(52) **U.S. Cl.**

USPC **D7/586**

(58) **Field of Classification Search**

USPC D7/501, 610, 550.1, 554.1, 558, 500, D7/587, 584, 629, 585, 586, 588, 554.2, D7/630, 354, 543; 108/142; 220/574.3, 220/781; D9/416, 500, 429, 428; 206/505

CPC .. B65D 21/086; B65D 51/185; B65D 21/022; B65D 43/0208; A47G 19/2283; A47G 19/03; A47G 19/02; A47J 43/0727; A47J 27/002

See application file for complete search history.

(56) **References Cited**

U.S. PATENT DOCUMENTS

2,412,325 A * 12/1946 Devine B65D 43/022 206/508
D256,205 S * 8/1980 Bateman D7/630
D256,310 S * 8/1980 Daenen D7/630
D286,249 S * 10/1986 Carlson D7/587
5,769,229 A * 6/1998 Andress B65D 43/0212 206/508

D400,397 S * 11/1998 Stephan D7/510
D453,094 S * 1/2002 Maggard D7/584
6,796,430 B2 * 9/2004 Mercier B65D 21/0222 206/505
D606,402 S * 12/2009 Diss D9/500
D606,403 S * 12/2009 Diss D9/500
D607,329 S * 1/2010 Diss D9/500
D607,330 S * 1/2010 Diss D9/500
D613,127 S * 4/2010 Olivari D7/587
D646,925 S * 10/2011 Okajima D7/354
D651,866 S * 1/2012 Smyers D7/630

(Continued)

Primary Examiner — Cynthia R Underwood

(74) *Attorney, Agent, or Firm* — Reinhart Boerner Van Deuren s.c.

(57) **CLAIM**

We claim the ornamental design for a thin-walled metal food bowl, as shown and described.

DESCRIPTION

FIG. 1 is a top perspective view of a thin-walled metal food bowl, according to an embodiment of the invention.

FIG. 2 is a bottom perspective view of the thin-walled metal food bowl of FIG. 1.

FIG. 3 is a top side view of the thin-walled metal food bowl of FIG. 1.

FIG. 4 is a bottom side view of the thin-walled metal food bowl of FIG. 1.

FIG. 5 is a front side view of the thin-walled metal food bowl of FIG. 1.

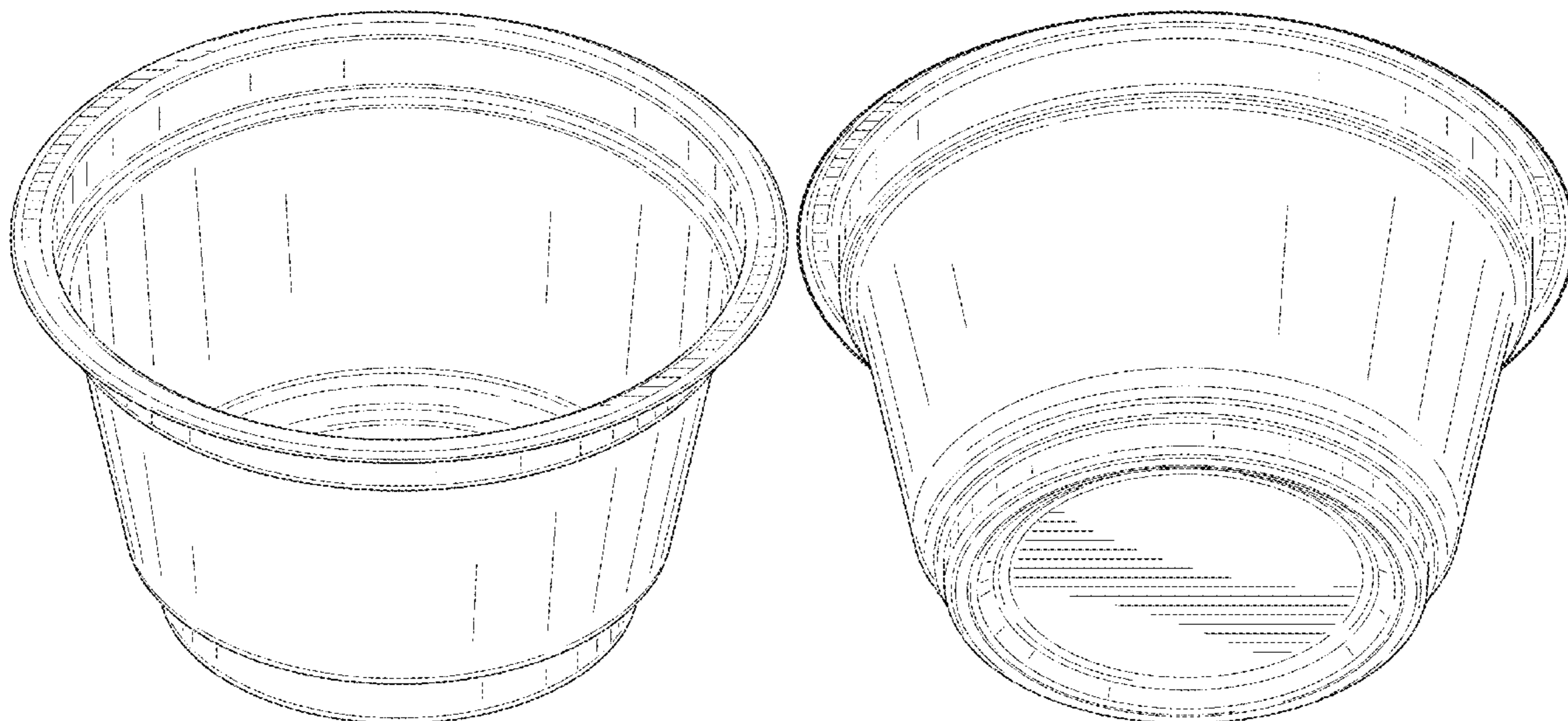
FIG. 6 is a back side view of the thin-walled metal food bowl of FIG. 1.

FIG. 7 is a right side view of the thin-walled metal food bowl of FIG. 1; and,

FIG. 8 is a left side view of the thin-walled metal food bowl of FIG. 1.

The ornamental design which is claimed is shown in solid lines in the drawings.

1 Claim, 6 Drawing Sheets



(56)

References Cited

U.S. PATENT DOCUMENTS

D652,266	S *	1/2012	Smyers	D7/630
D685,263	S *	7/2013	Danenberg	D9/500
D689,730	S *	9/2013	Goto	D7/354
D695,110	S *	12/2013	Houlton	D9/500
D715,649	S	10/2014	O'Brien	
D746,641	S *	1/2016	Panone	D7/602
D753,491	S *	4/2016	Trombetta	D9/503
D761,061	S *	7/2016	McConnell	D7/587
D798,718	S *	10/2017	Foster	D9/520
D823,642	S *	7/2018	Ribeiro-Ramalhosa	D7/543
D825,335	S *	8/2018	Buck	D9/500
D845,715	S *	4/2019	Brownell	D7/545
D849,596	S *	5/2019	Crosby	D11/143
D877,618	S *	3/2020	Baker	D9/500
10,716,427	B2 *	7/2020	Putnam	B65D 85/8043
D915,828	S *	4/2021	Schiermeier	D7/554.2
D916,543	S *	4/2021	Cheng	D7/354
D921,414	S *	6/2021	Cheng	D7/354
D928,566	S *	8/2021	Manz	D7/602
11,220,397	B2 *	1/2022	Lamb	E05F 1/1008
D942,216	S *	2/2022	Lin	D7/509
D962,710	S *	9/2022	Scott	D7/532
2014/0308406	A1 *	10/2014	O'Brien	C08K 3/34 524/451

* cited by examiner

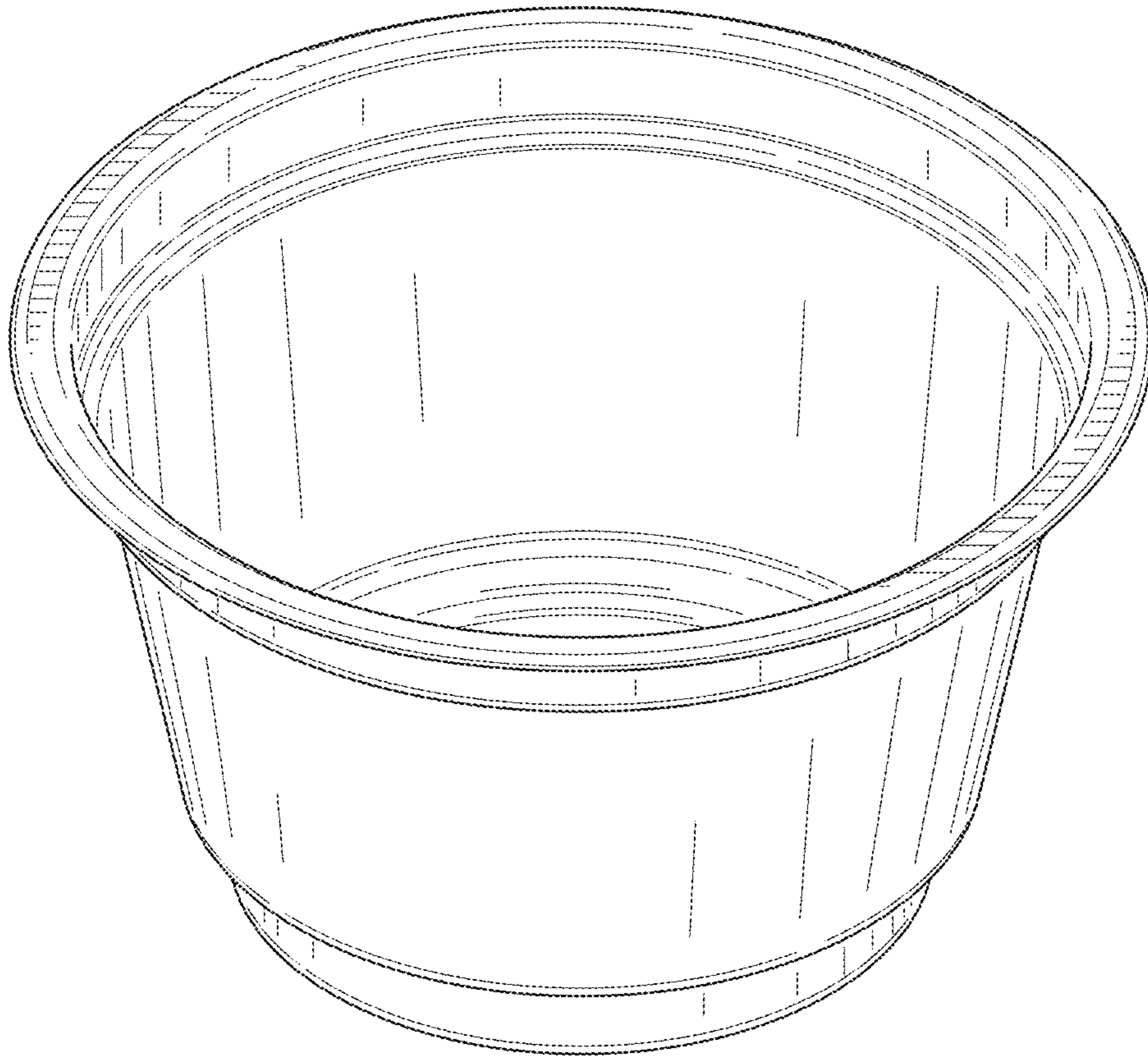


FIG. 1

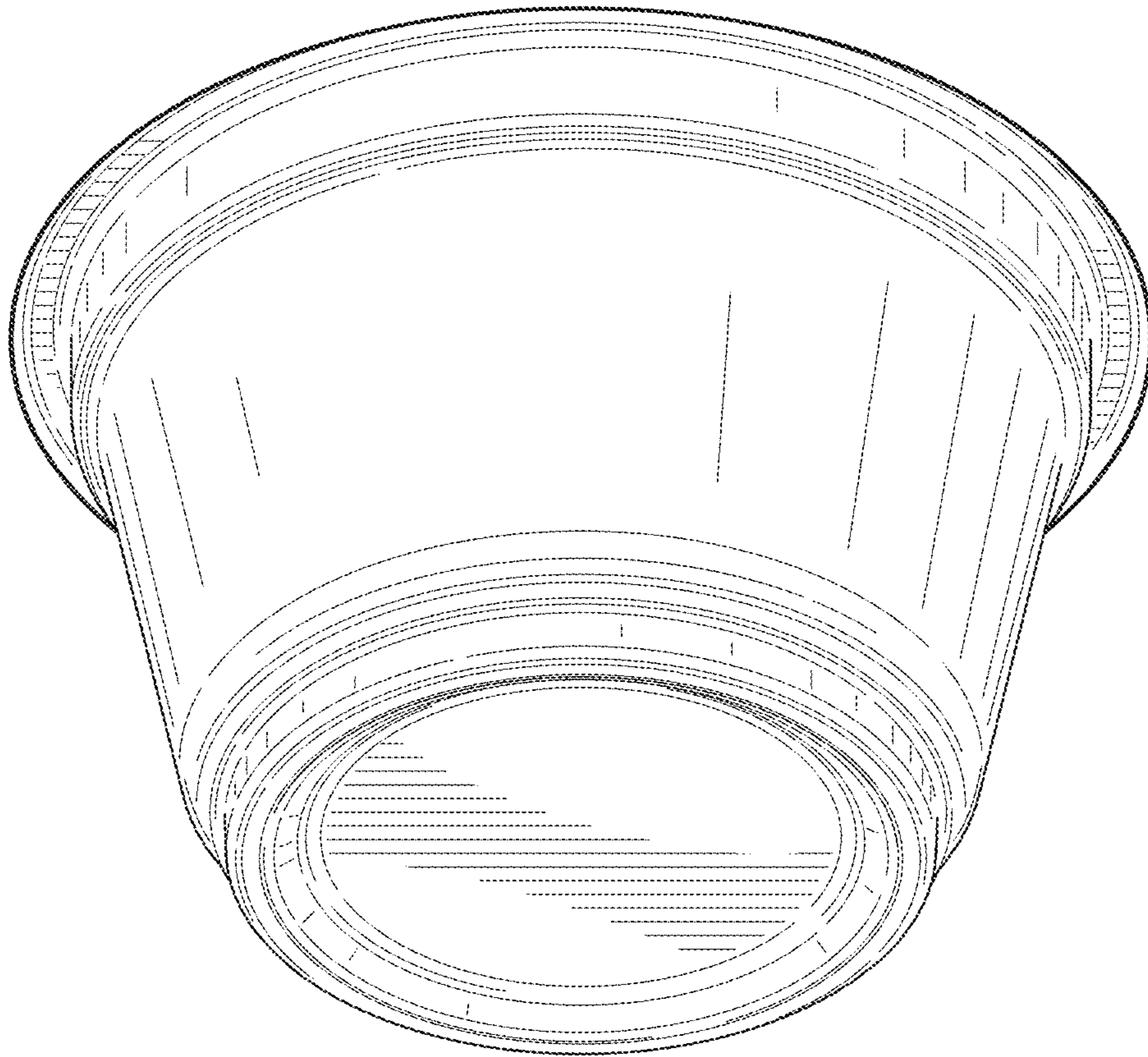


FIG. 2

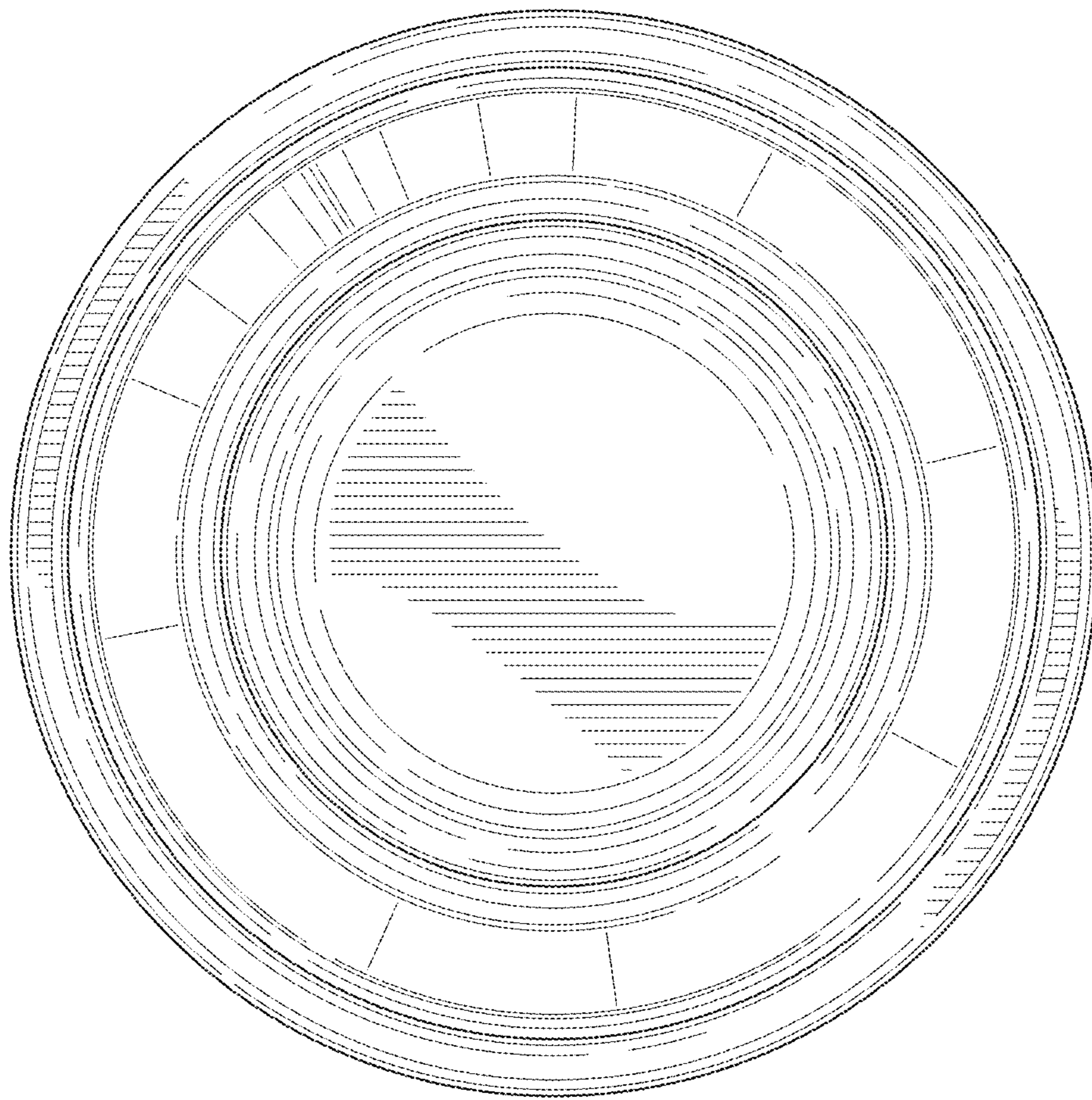


FIG. 3

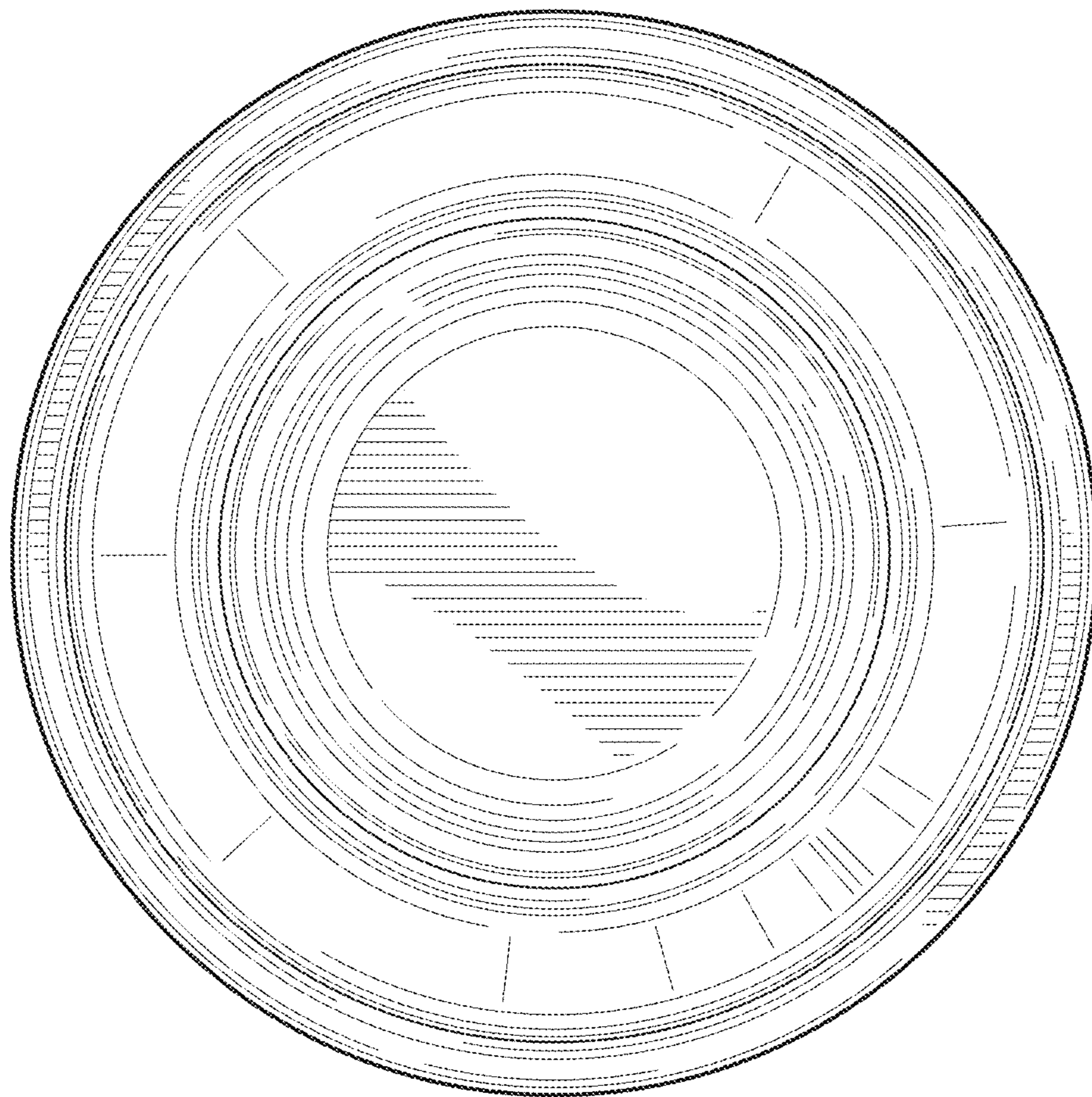


FIG. 4

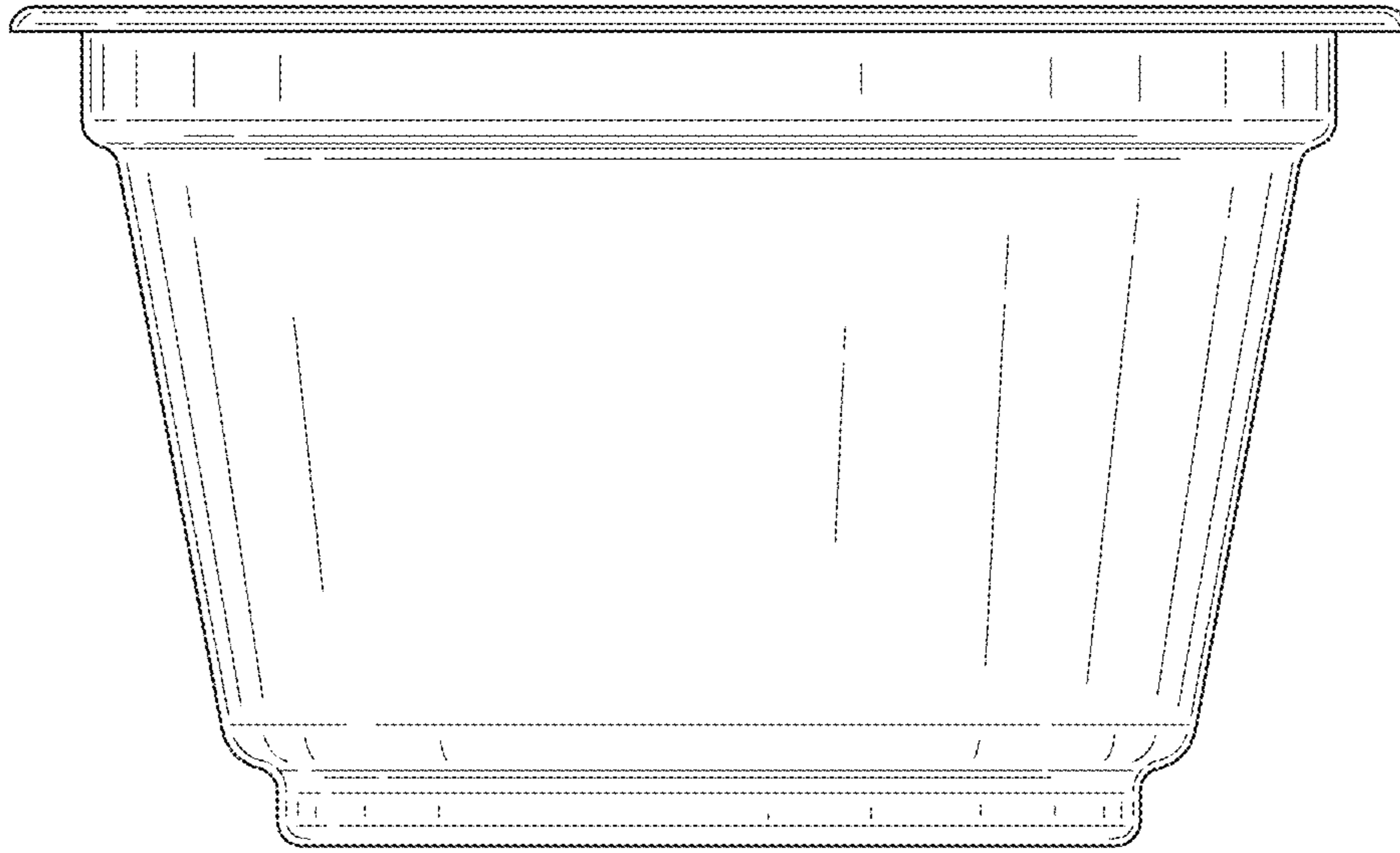


FIG. 5

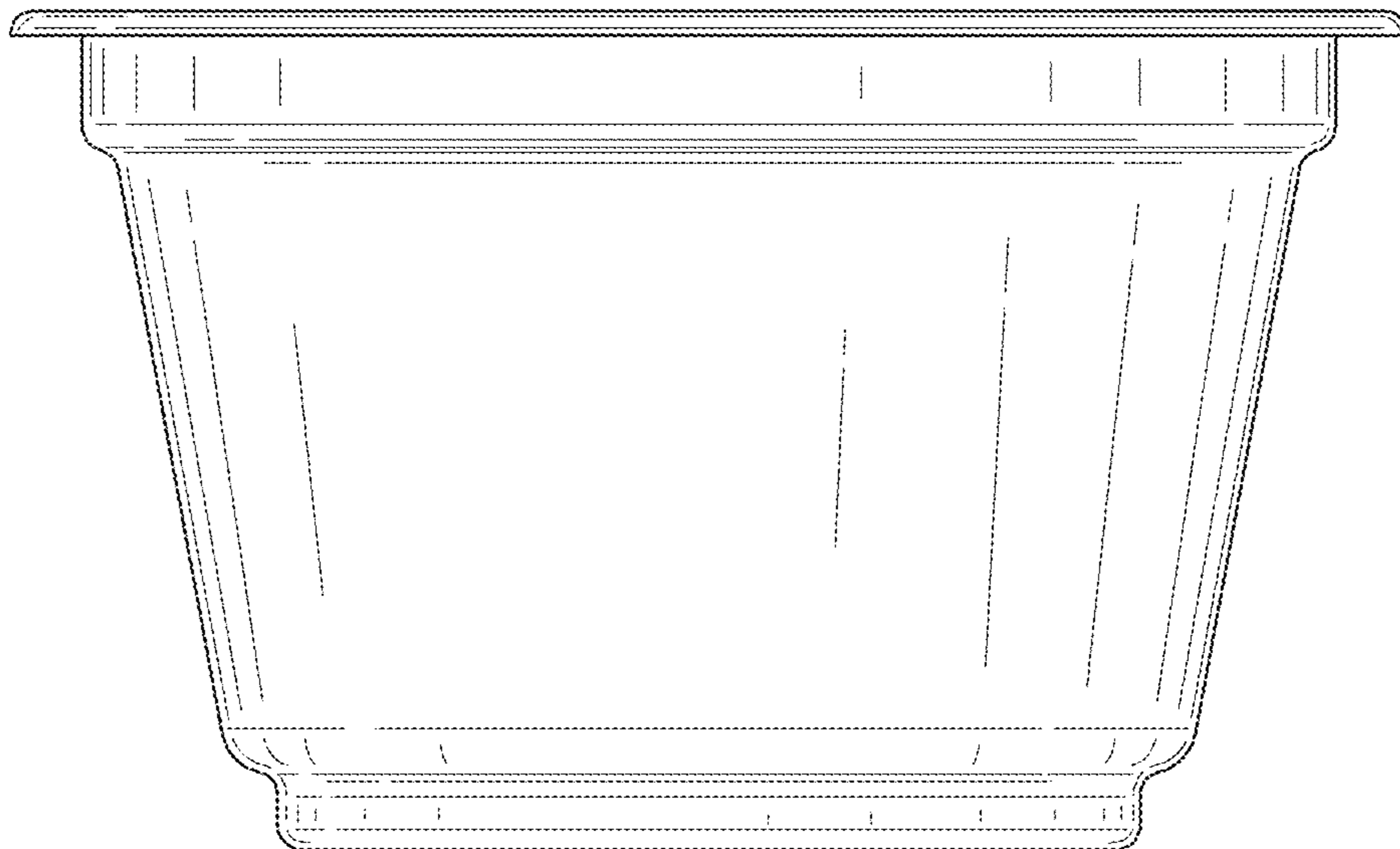


FIG. 6

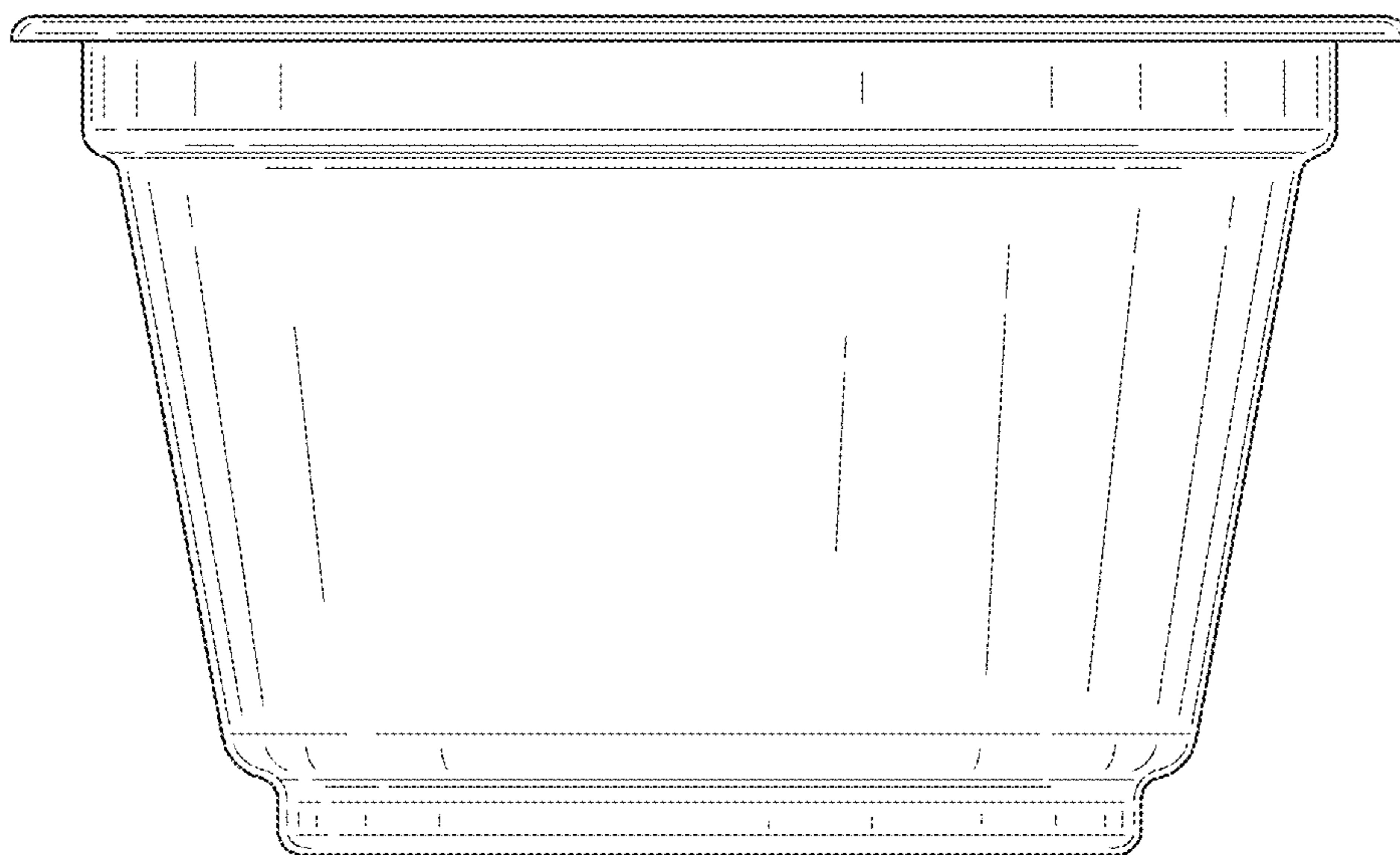


FIG. 7

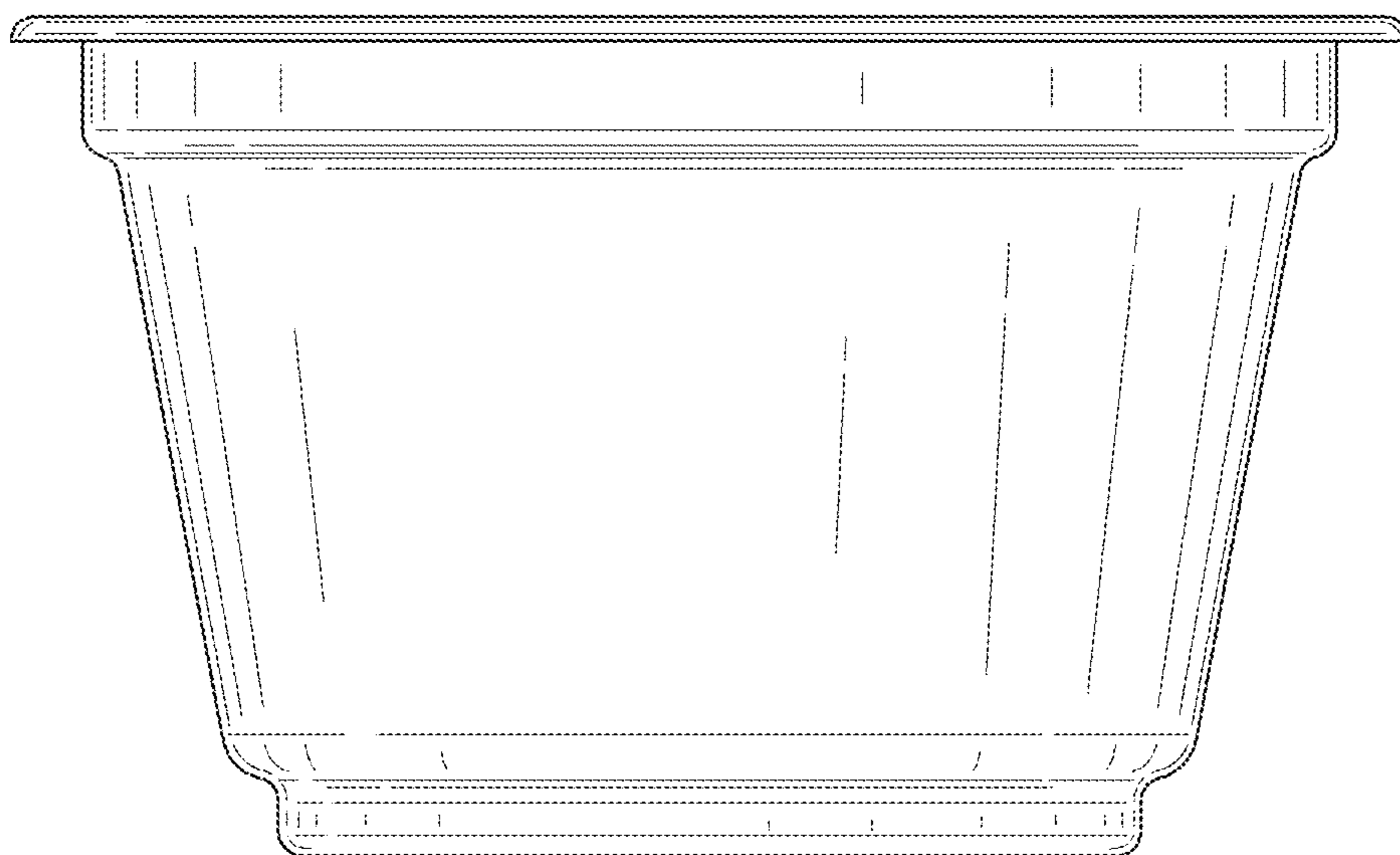


FIG. 8