



US00D976056S

(12) **United States Design Patent** (10) **Patent No.:** **US D976,056 S**
Huang et al. (45) **Date of Patent:** **** Jan. 24, 2023**

(54) **SPA TRAY WITH LIGHT**

FOREIGN PATENT DOCUMENTS

(71) Applicant: **Intex Industries Xiamen Co. Ltd.**,
Fujian (CN)

CN 205135018 U 4/2016

(72) Inventors: **Zhi Xiong Huang**, Fujian (CN); **Wen Xiao Zhang**, Fujian (CN)

OTHER PUBLICATIONS

(73) Assignee: **Intex Marketing Ltd.**, Tortola (VG)

Intex PureSpa Cup Holder. By Intex. Dated Sep. 5, 2016. Found online [Nov. 30, 2021]. <https://www.amazon.com/Intex-PureSpa-Standard-Beverage-Containers/dp/B00OX5B8TA> (Year: 2016).*

(**) Term: **15 Years**

(Continued)

(21) Appl. No.: **29/757,393**

Primary Examiner — Marissa J Cash
Assistant Examiner — William B Melliar

(22) Filed: **Nov. 5, 2020**

(74) *Attorney, Agent, or Firm* — Faegre Drinker Biddle & Reath LLP

(30) **Foreign Application Priority Data**

Apr. 27, 2020 (CN) 202030181069.5

(51) **LOC (14) Cl.** **07-01**

(52) **U.S. Cl.**
USPC **D7/552.1**; D26/51

(58) **Field of Classification Search**
USPC D26/24, 37-51, 56, 60, 93, 113; D7/500,
D7/550.1, 552.1, 553.3, 554.2, 601, 387,
D7/397, 546, 553.5-553.6; D28/4, 9, 73,
D28/77, 82; D12/416
CPC F21V 33/00; F21V 17/002; F21V 17/005;
F21V 19/04; F21V 21/005; F21V 21/025;
F21V 23/02; F21V 23/026; F21V 29/507;
F21V 29/71; F21V 29/74; F21V 31/005;
F21V 7/005; F21V 7/04; F21V 7/10;
F21V 17/164; F21V 21/26; F21V 23/00;
F21V 33/0036

See application file for complete search history.

(56) **References Cited**

U.S. PATENT DOCUMENTS

D351,738 S * 10/1994 LaCombe D12/416
D363,643 S * 10/1995 Eisenberg D7/546
D397,465 S * 8/1998 Youri D26/38
D435,196 S * 12/2000 Gregor D7/553.5
D516,859 S * 3/2006 Zettle D7/392.1

(Continued)

(57) **CLAIM**

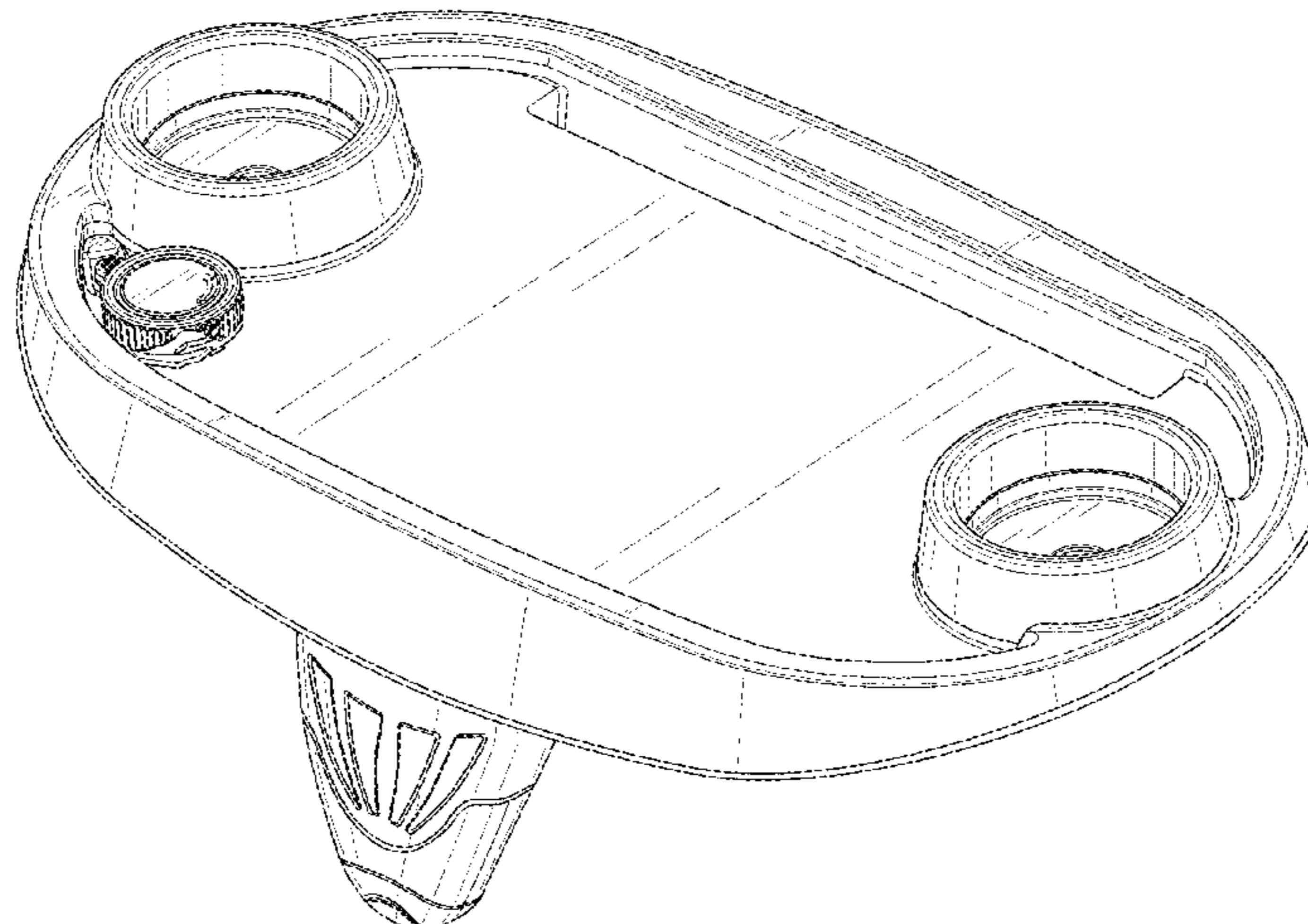
We claim the ornamental design for a spa tray with light, as shown and described.

DESCRIPTION

FIG. 1 is an outer, top perspective view of a spa tray with light showing our new design in an environment of use; FIG. 2 is an inner, top perspective view thereof; FIG. 3 is an outer, top perspective view of the spa tray with light, shown removed from the environment for clarity of disclosure; FIG. 4 is an inner elevational view thereof; FIG. 5 is an outer elevational view thereof; FIG. 6 is a right side elevational view thereof; FIG. 7 is a left side elevational view thereof; FIG. 8 is a top plan view thereof; and, FIG. 9 is a bottom plan view thereof.

The broken lines in the drawings depict portions of the spa tray with light that form no part of the claimed design. The additional broken lines in FIGS. 1-2 showing a spa depict environment only and form no part thereof.

1 Claim, 9 Drawing Sheets



(56)

References Cited

U.S. PATENT DOCUMENTS

D525,318 S * 7/2006 Campbell D14/299
D542,600 S * 5/2007 James D7/553.6
D609,376 S * 2/2010 Cristoforo D26/38
D660,633 S * 5/2012 Estrup D6/574
D670,419 S * 11/2012 Fissell D26/51
D821,623 S * 6/2018 Grawemeyer D26/60
D835,824 S * 12/2018 Koerth D26/60
D835,942 S * 12/2018 Koller D7/552.1
D848,795 S * 5/2019 Butler D7/553.6
D849,980 S * 5/2019 Yager Grad D26/51
D854,853 S * 7/2019 Bearsch D6/536
2012/0020086 A1 * 1/2012 Kataoka F21V 19/0055
362/249.02

OTHER PUBLICATIONS

Spa Tray with Light. By BloomCy. Dated Jul. 17, 2020. Found online [Nov. 30, 2021]. <https://bloomcy.com/en/28520-spa-tray-with-light.html> (Year: 2020).*

Life Tray Table. By Life. Dated Jul. 22, 2018. Found online [Nov. 30, 2021]. <https://www.amazon.com/Life-6965-Tray-Table/dp/B06XBXNL8W> (Year: 2018).*

PureSpa by Intex—The Ultimate Spa Experience, Intex Marketing Ltd., 2014, 3 pages.

* cited by examiner

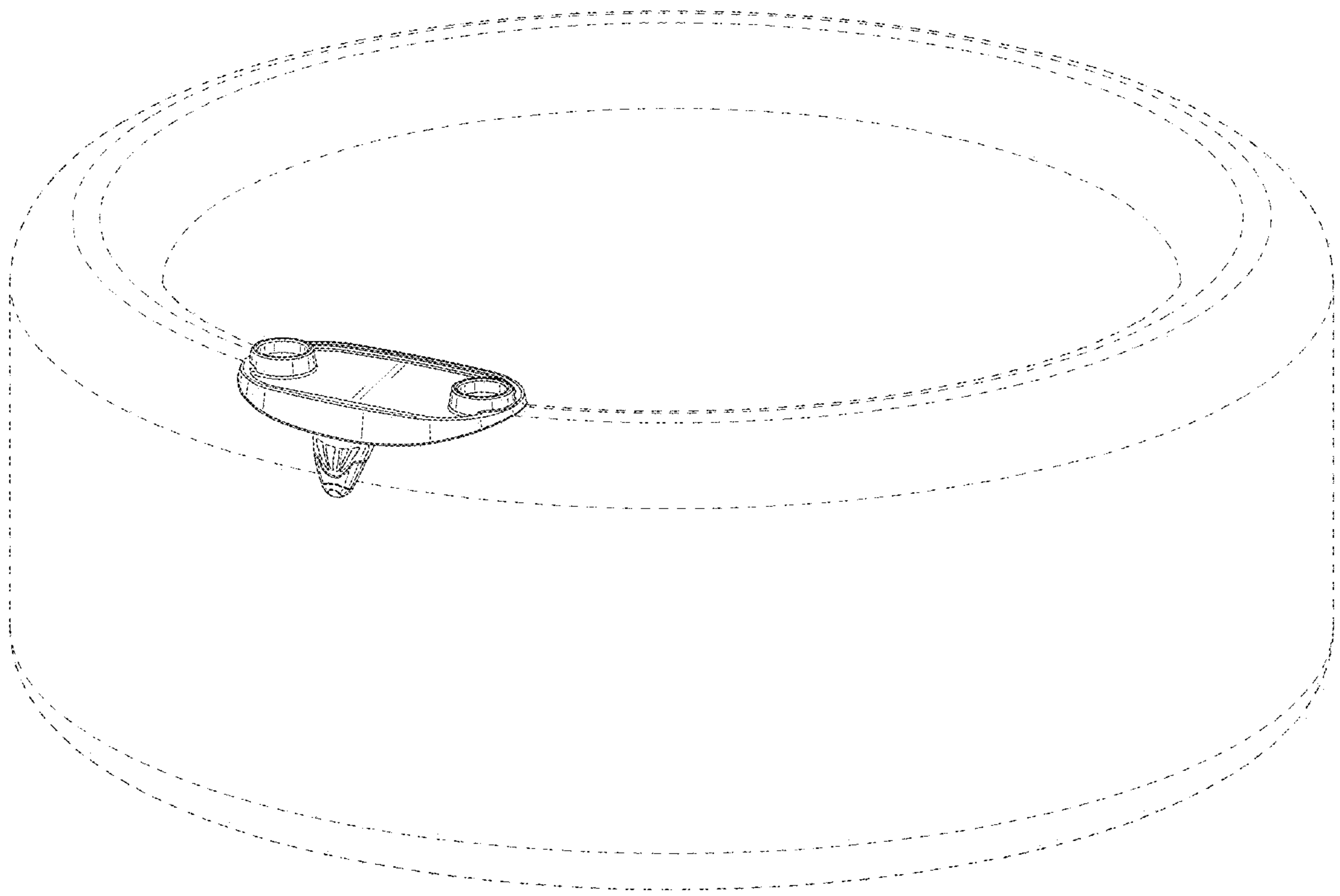


FIG. 1

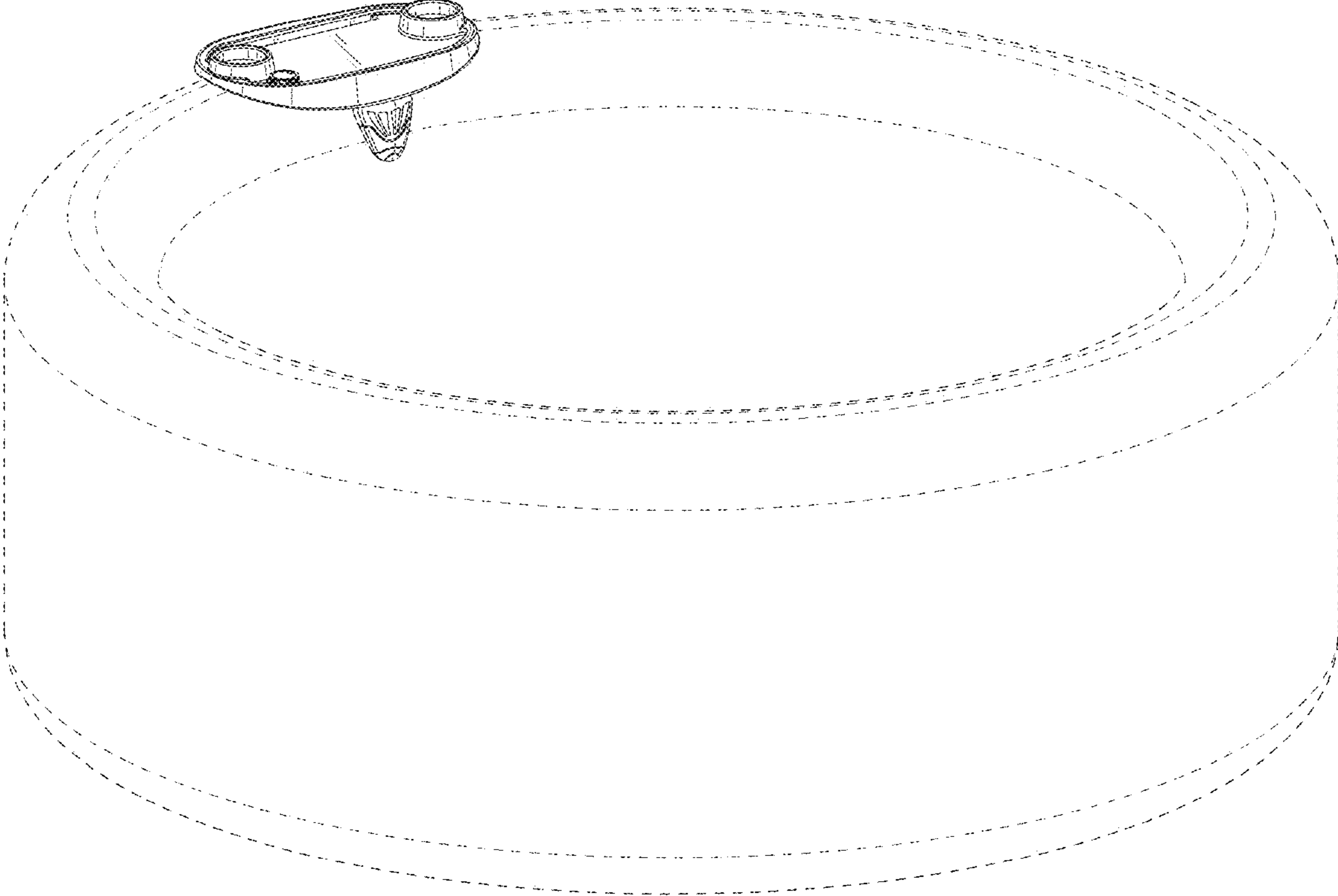


FIG. 2

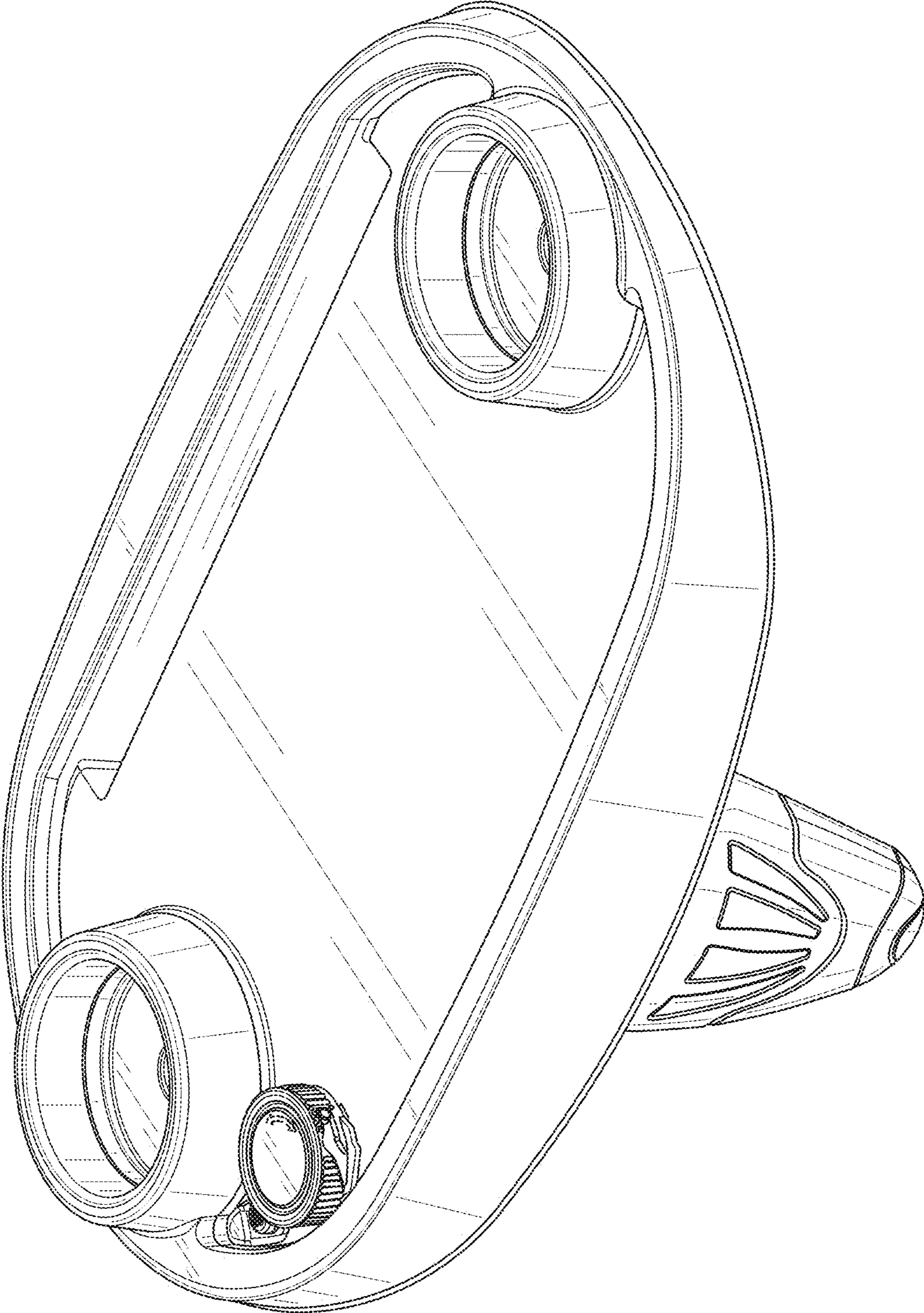


FIG. 3

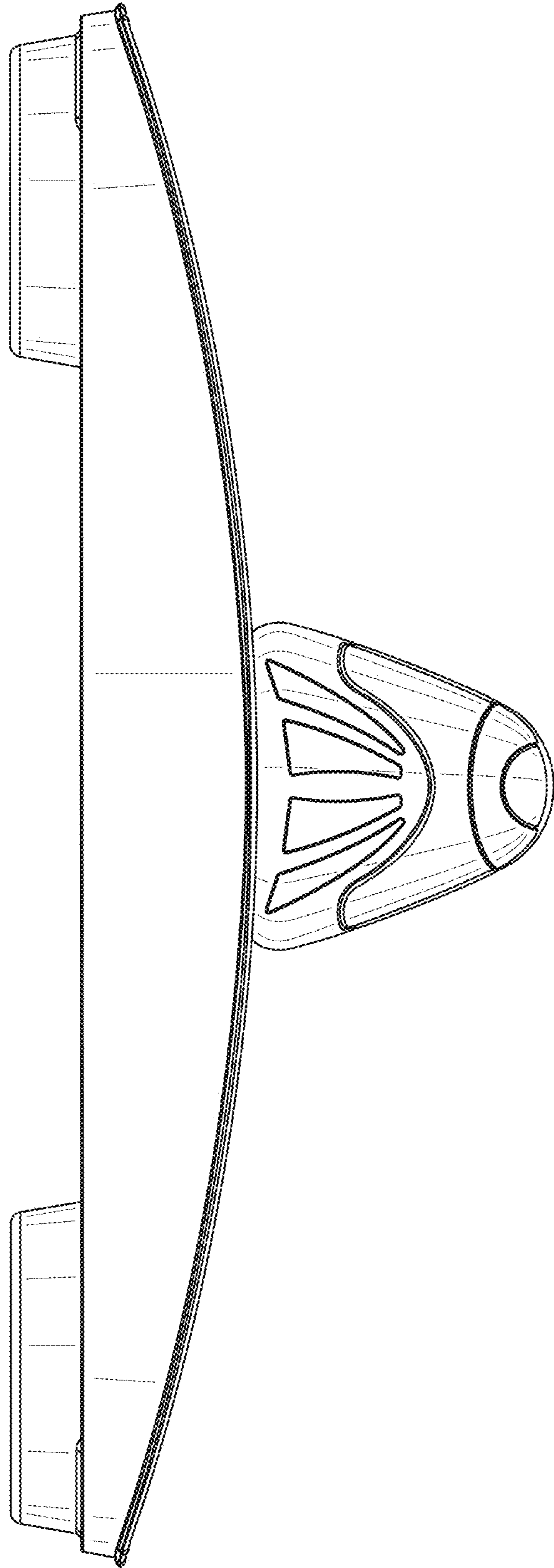


FIG. 4

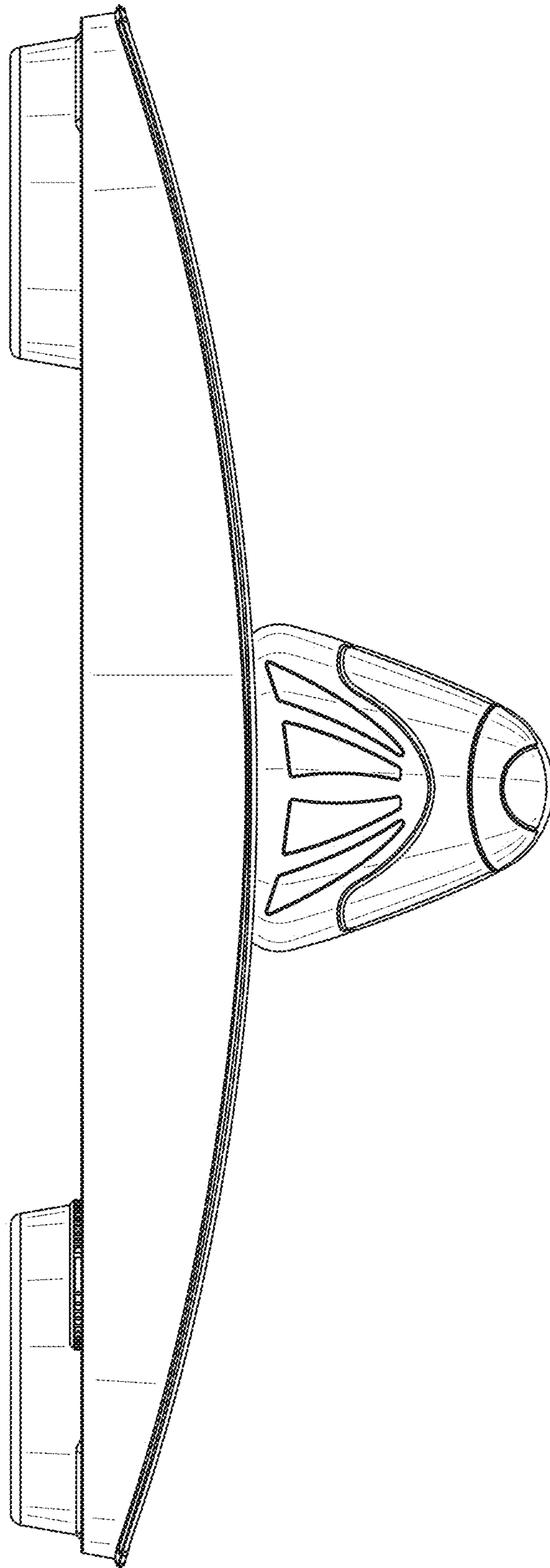


FIG. 5

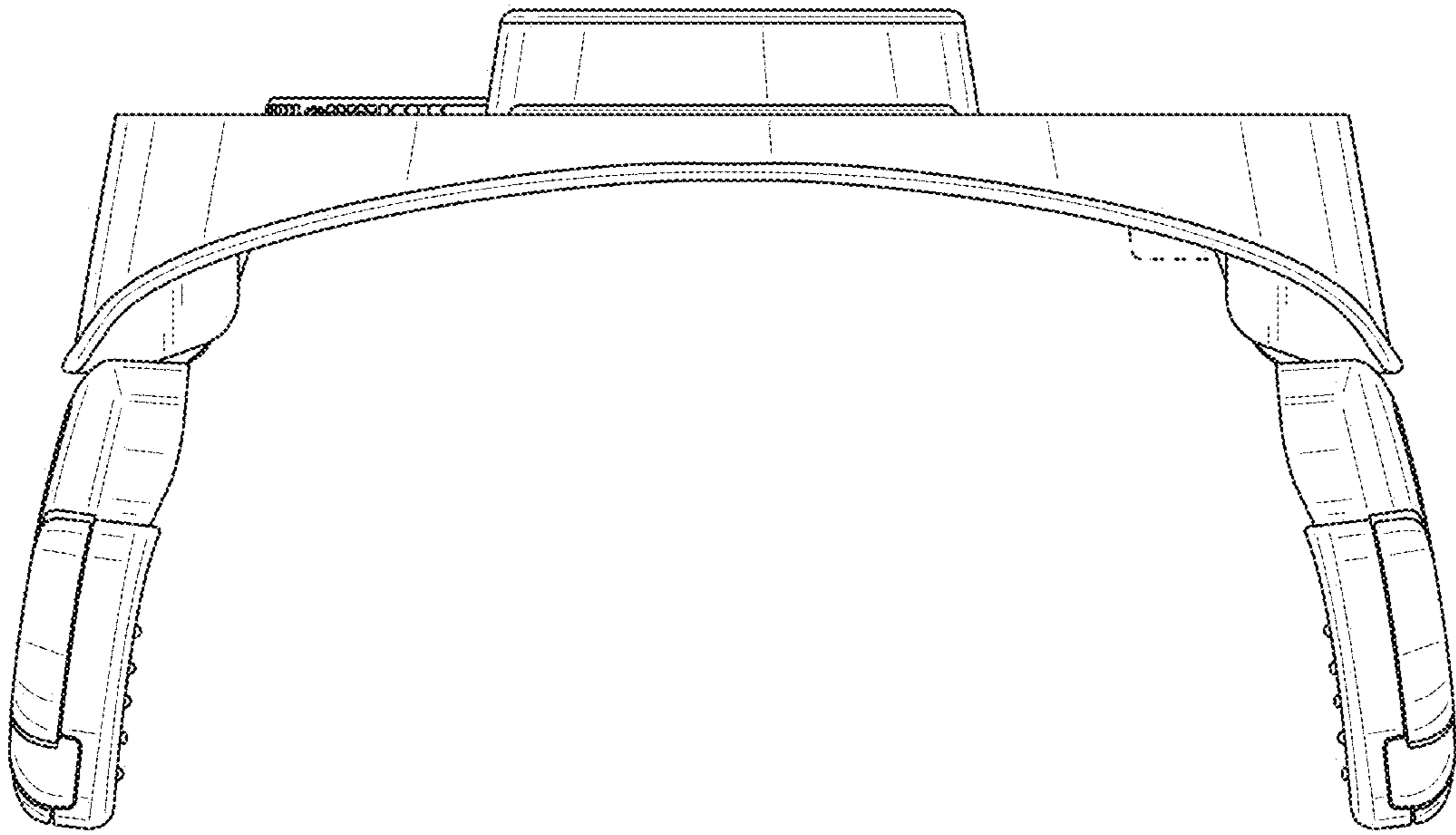


FIG. 6

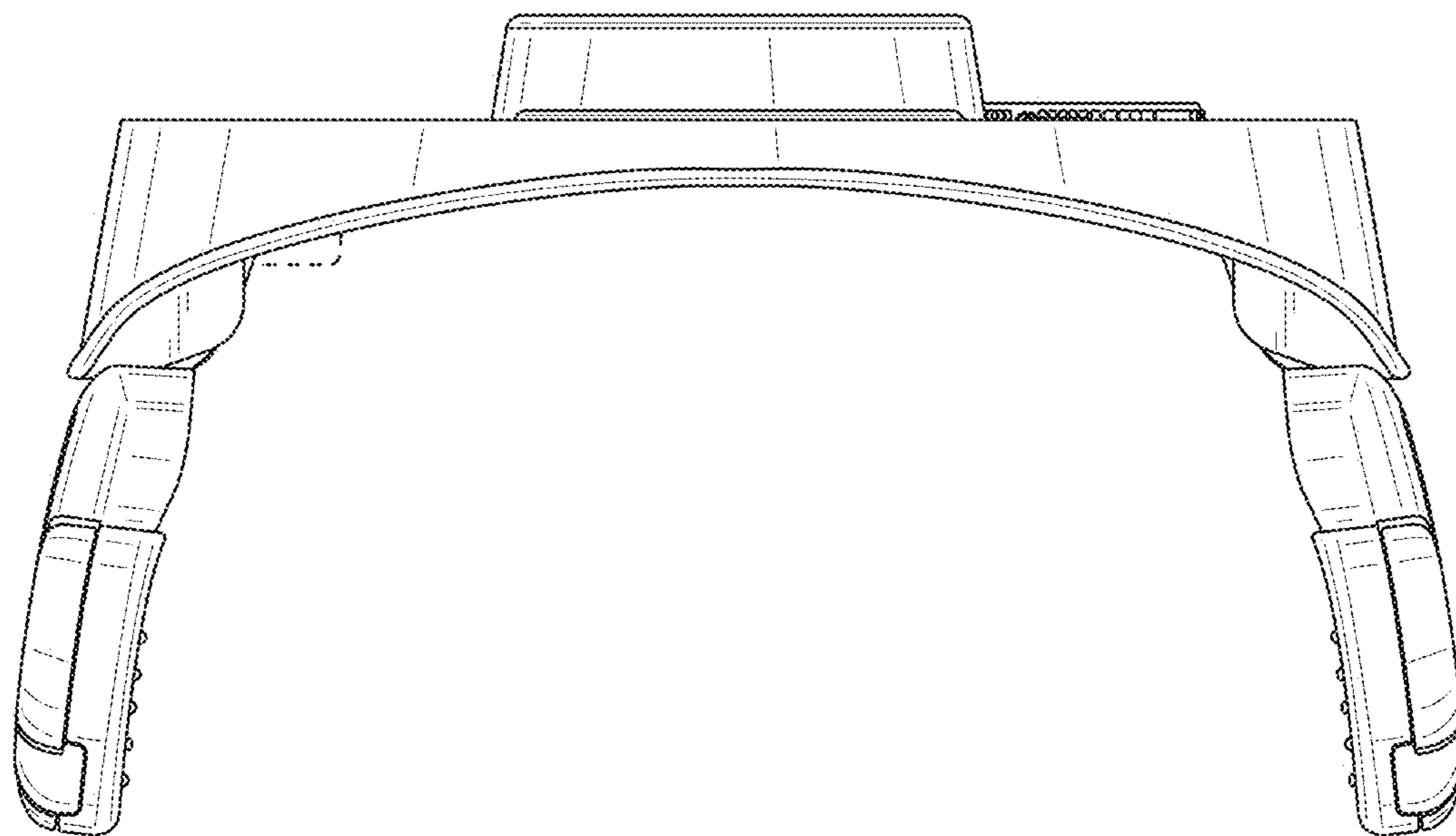


FIG. 7

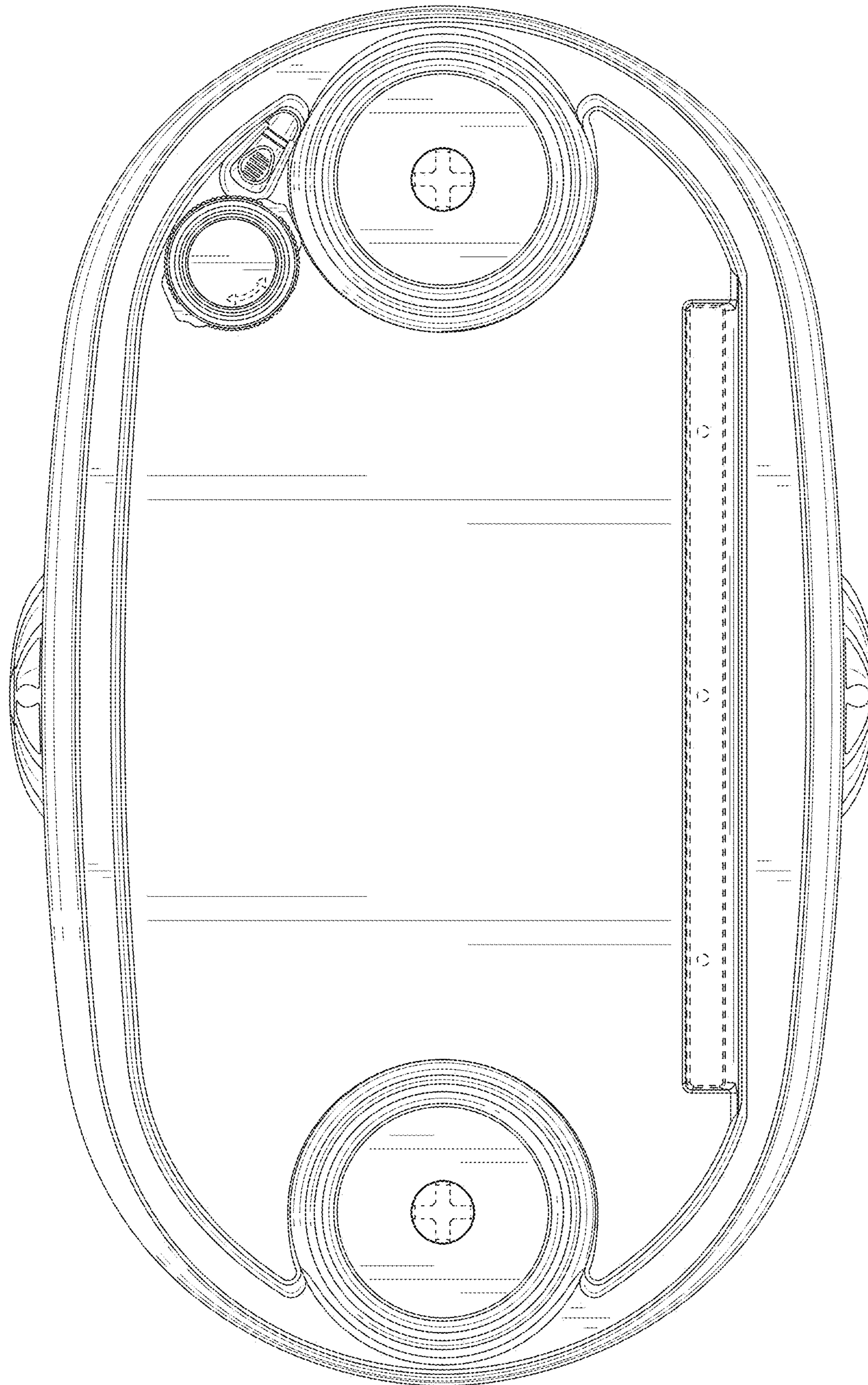


FIG. 8

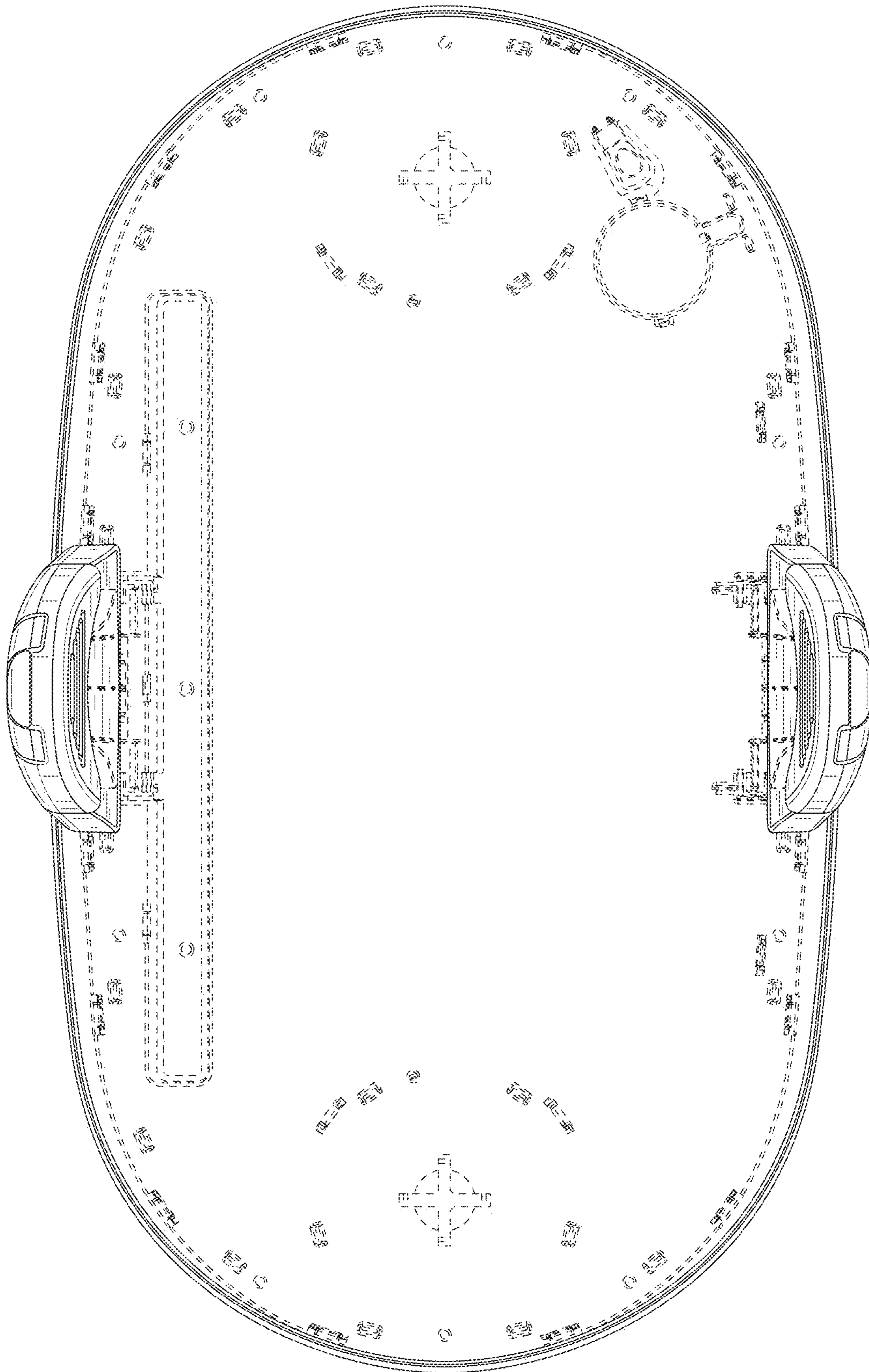


FIG. 9