



US00D976055S

(12) **United States Design Patent**
Jung

(10) **Patent No.:** **US D976,055 S**
(45) **Date of Patent:** **** Jan. 24, 2023**

- (54) **CUP**
 - (71) Applicant: **Sunhwa Jung**, Seoul (KR)
 - (72) Inventor: **Sunhwa Jung**, Seoul (KR)
 - (**) Term: **15 Years**
 - (21) Appl. No.: **29/758,003**
 - (22) Filed: **Nov. 11, 2020**
 - (30) **Foreign Application Priority Data**
 - May 27, 2020 (KR) 30-2020-0023528
 - (51) **LOC (14) Cl.** **07-01**
 - (52) **U.S. Cl.**
 - USPC **D7/507**; D7/536
 - (58) **Field of Classification Search**
 - USPC D7/507, 509, 510, 511, 523, 532, 533,
D7/536, 608, 601, 602, 392.1, 396.2, 512,
D7/708.1, 619.1, 622, 633; D9/503, 504;
D24/197, 199, 145; D3/202
 - CPC A47G 19/22; A47G 19/2288; A47G
19/2205; A47G 2019/2277; A45F 3/20;
A47J 41/02
- See application file for complete search history.

- (56) **References Cited**
 - U.S. PATENT DOCUMENTS
 - D309,401 S * 7/1990 Lombardi D7/535
 - 5,508,498 A * 4/1996 Rheinisch A61F 7/02
426/243
 - D455,048 S * 4/2002 Marek D7/514
 - D549,523 S * 8/2007 Montes D7/509
 - D565,900 S * 4/2008 Franco D7/536
 - D586,620 S * 2/2009 Sands D7/509
 - D703,490 S * 4/2014 Maire D7/536
 - D775,894 S * 1/2017 Wampold D7/536
 - D906,760 S * 1/2021 Gavis D7/510

OTHER PUBLICATIONS

https://www.amazon.com/Japanese-Ceramics-Coffee-Teacup-Spoon/dp/B01MU6P7CQ/ref=asc_df_B01MU6P7CQ/?tag=hyprod-20

&linkCode=df0&hvadid=238482146373&hvpos=&hvnetw=g
&hvrnd=1706031785456965151&hvpone=&hvtwo=&hvqmt=
&hvdev=c&hvdvcmld=&hvlocint=&hvlocphy=9032188&hvtargid=
pla-390993730986&psc=1 Jan. 2, 2017 (Year: 2017).*

[https://www.amazon.com/MTMTOOL-Bronze-Button-Screws-Leather/dp/B07WHX59KR/ref=sr_1_22?crd=12SE94JXW31M9&keywords=Button%2BScrew%2BStud&qid=1650467472&sprefix=button%2Bscrew%2Bstud%2B%2Caps%2C117&sr=8-22&th=1 Aug. 15, 2019 \(Year: 2019\).*](https://www.amazon.com/MTMTOOL-Bronze-Button-Screws-Leather/dp/B07WHX59KR/ref=sr_1_22?crd=12SE94JXW31M9&keywords=Button%2BScrew%2BStud&qid=1650467472&sprefix=button%2Bscrew%2Bstud%2B%2Caps%2C117&sr=8-22&th=1 Aug. 15, 2019 (Year: 2019).*)

[https://a.co/d/ebO0KSx Mar. 29, 2017 \(Year: 2017\).*](https://a.co/d/ebO0KSx Mar. 29, 2017 (Year: 2017).*)

[https://web.archive.org/web/20201001194122/https://shavenation.com/collections/apothecary-mugs Oct. 1, 2020 \(Year: 2020\).*](https://web.archive.org/web/20201001194122/https://shavenation.com/collections/apothecary-mugs Oct. 1, 2020 (Year: 2020).*)

* cited by examiner

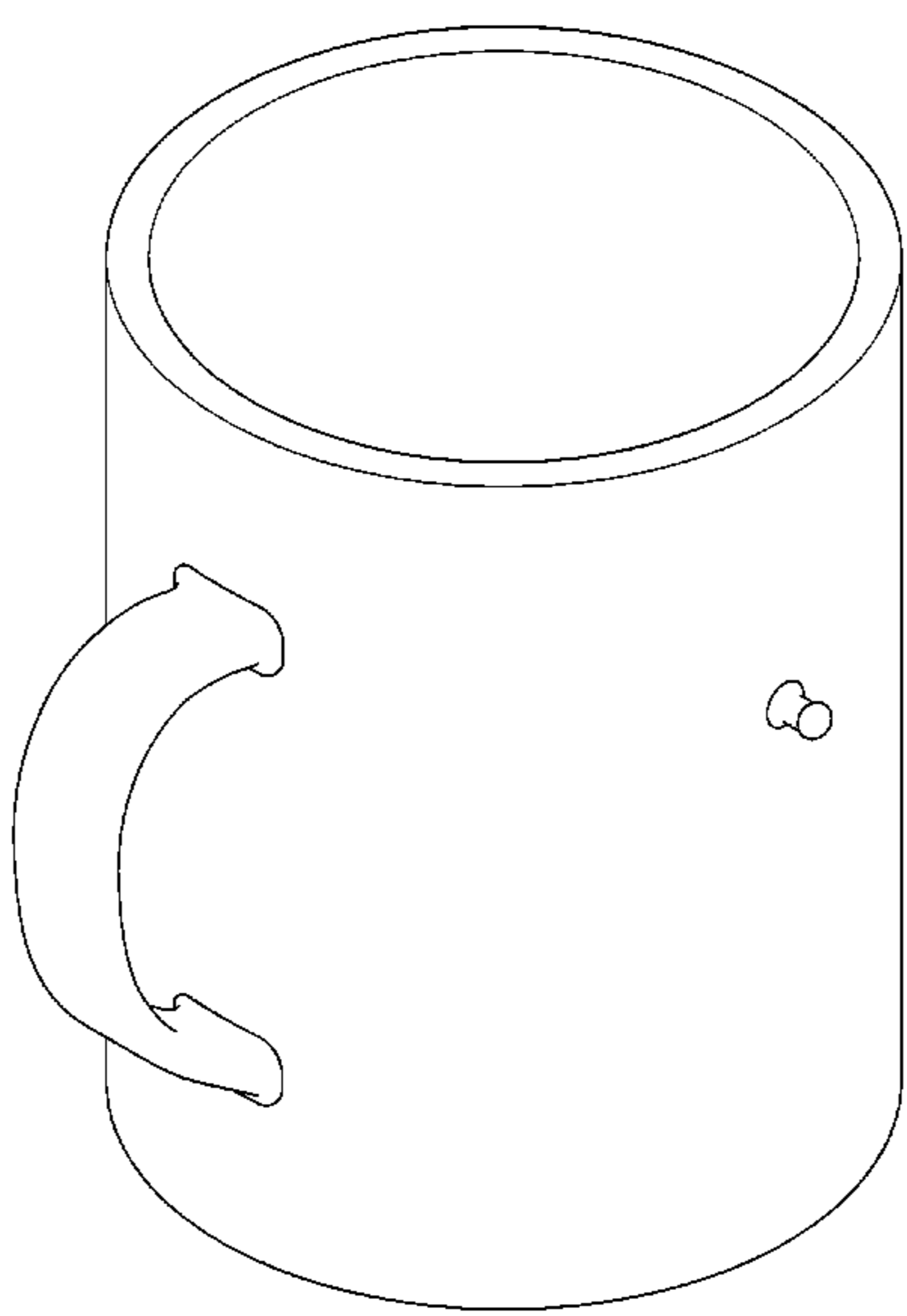
Primary Examiner — Jae Liang
(74) *Attorney, Agent, or Firm* — Novick, Kim & Lee PLLC; Jae Youn Kim

(57) **CLAIM**
I claim the ornamental design for a cup, as shown and described.

DESCRIPTION

FIG. 1 is a perspective view of a cup, showing my new design;
FIG. 2 is a front elevational view thereof;
FIG. 3 is a rear elevational view thereof;
FIG. 4 is a left side elevational view thereof;
FIG. 5 is a right side elevational view thereof;
FIG. 6 is a top plan view thereof;
FIG. 7 is a bottom plan view thereof; and,
FIG. 8 is a reference perspective view thereof showing a configuration of use in which an accessory is attached to the cup.
The broken lines in the drawings depict environmental subject matter only and form no part of the claimed design.

1 Claim, 8 Drawing Sheets



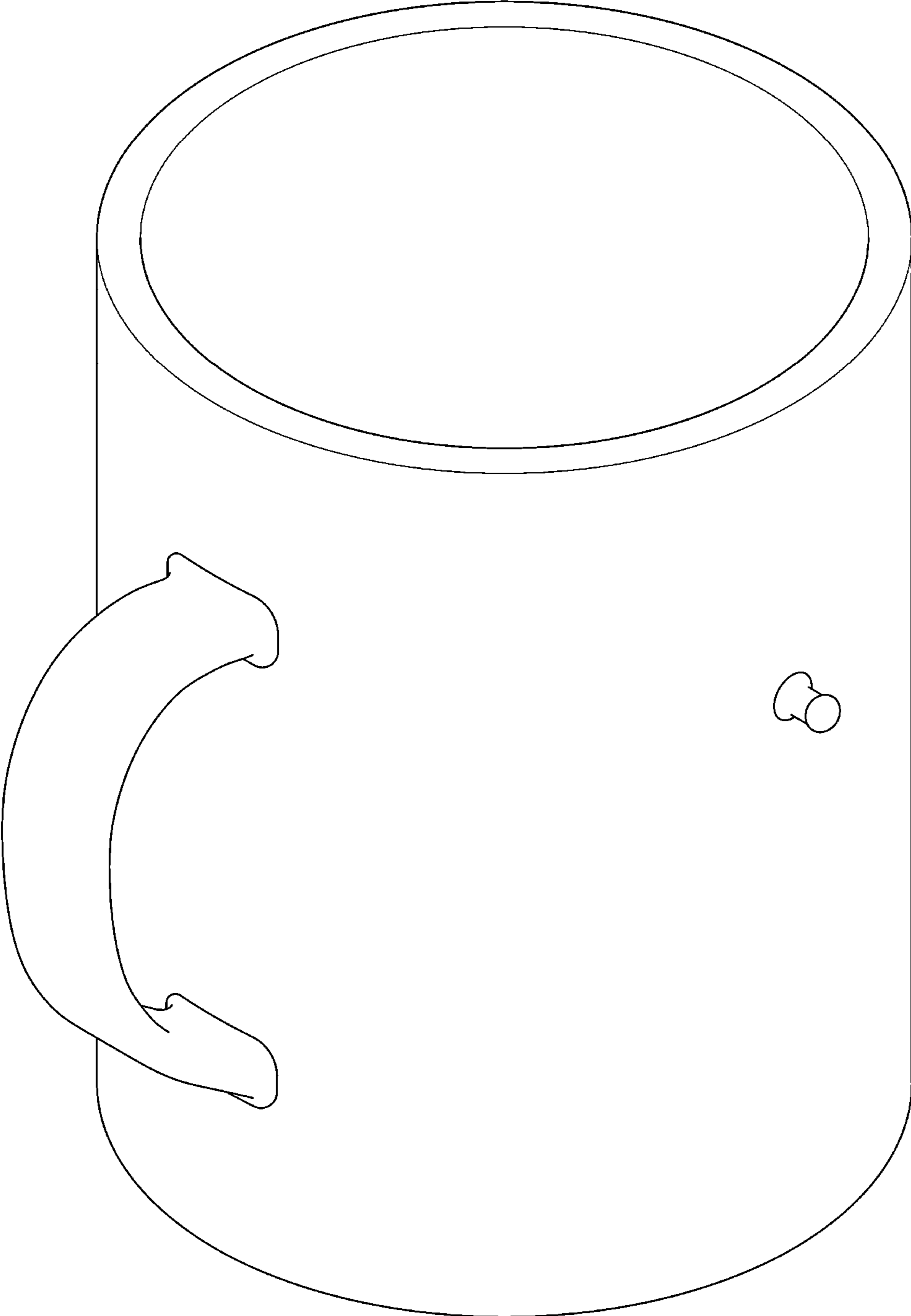


FIG. 1

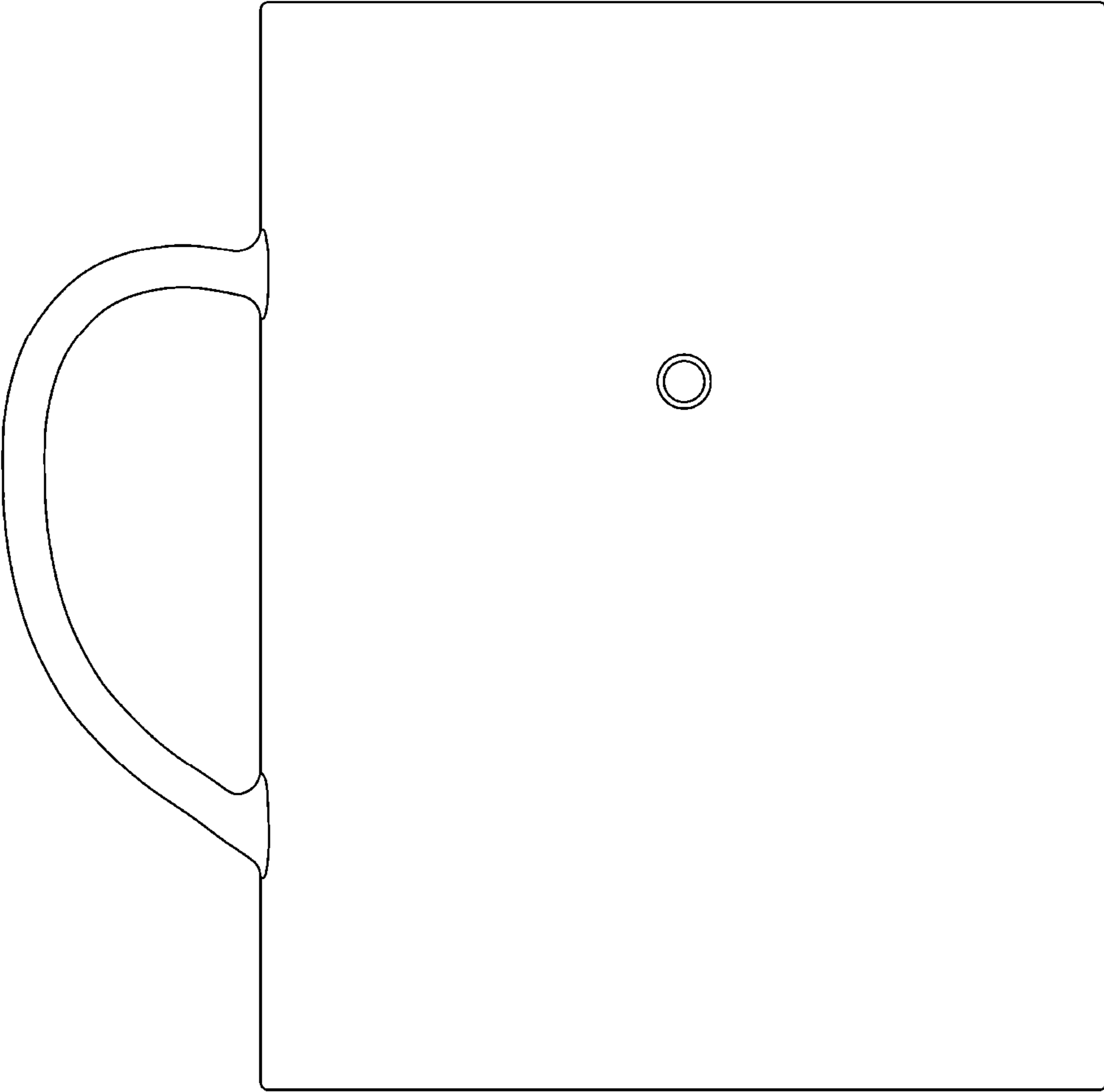


FIG. 2

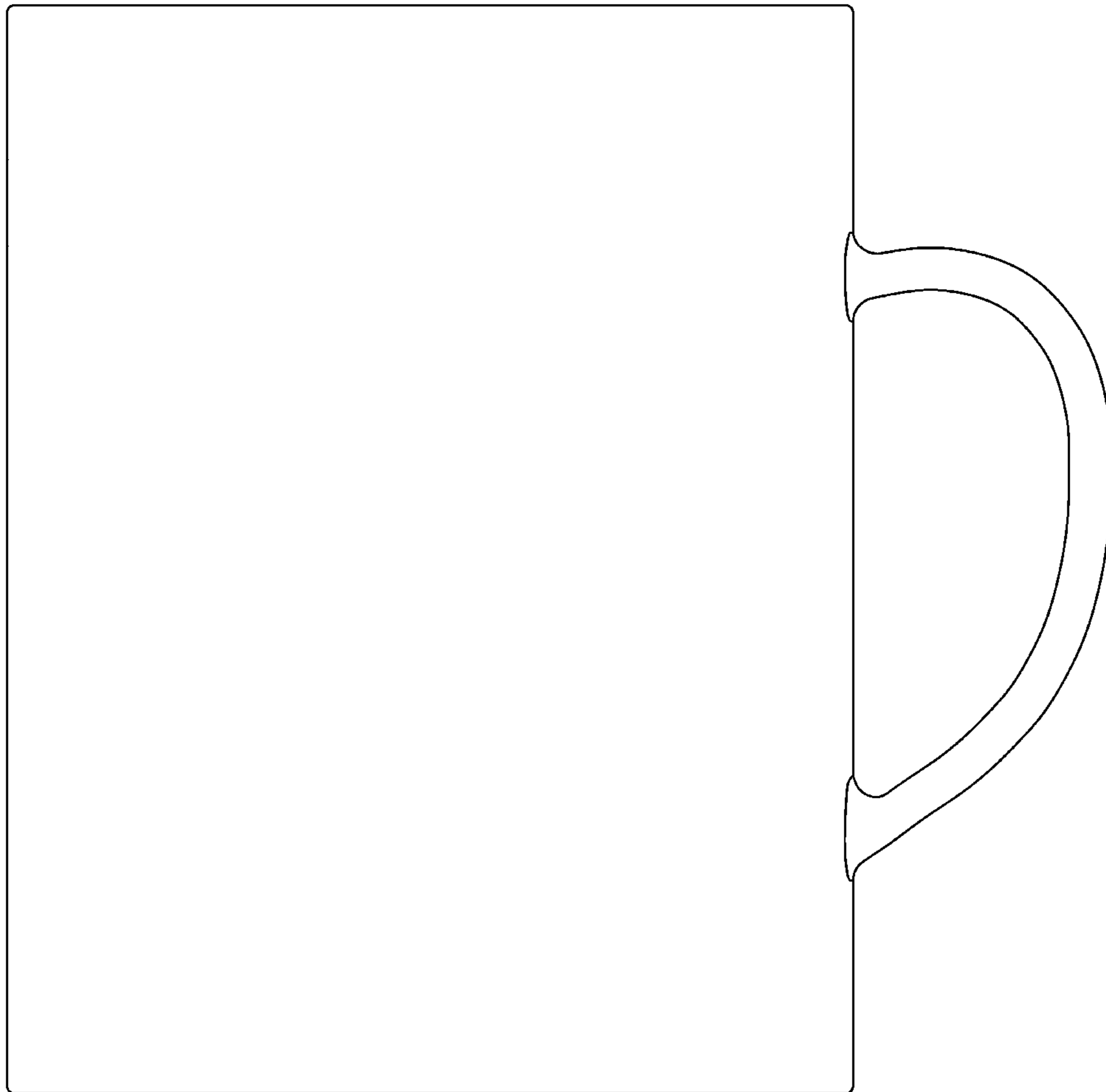


FIG. 3

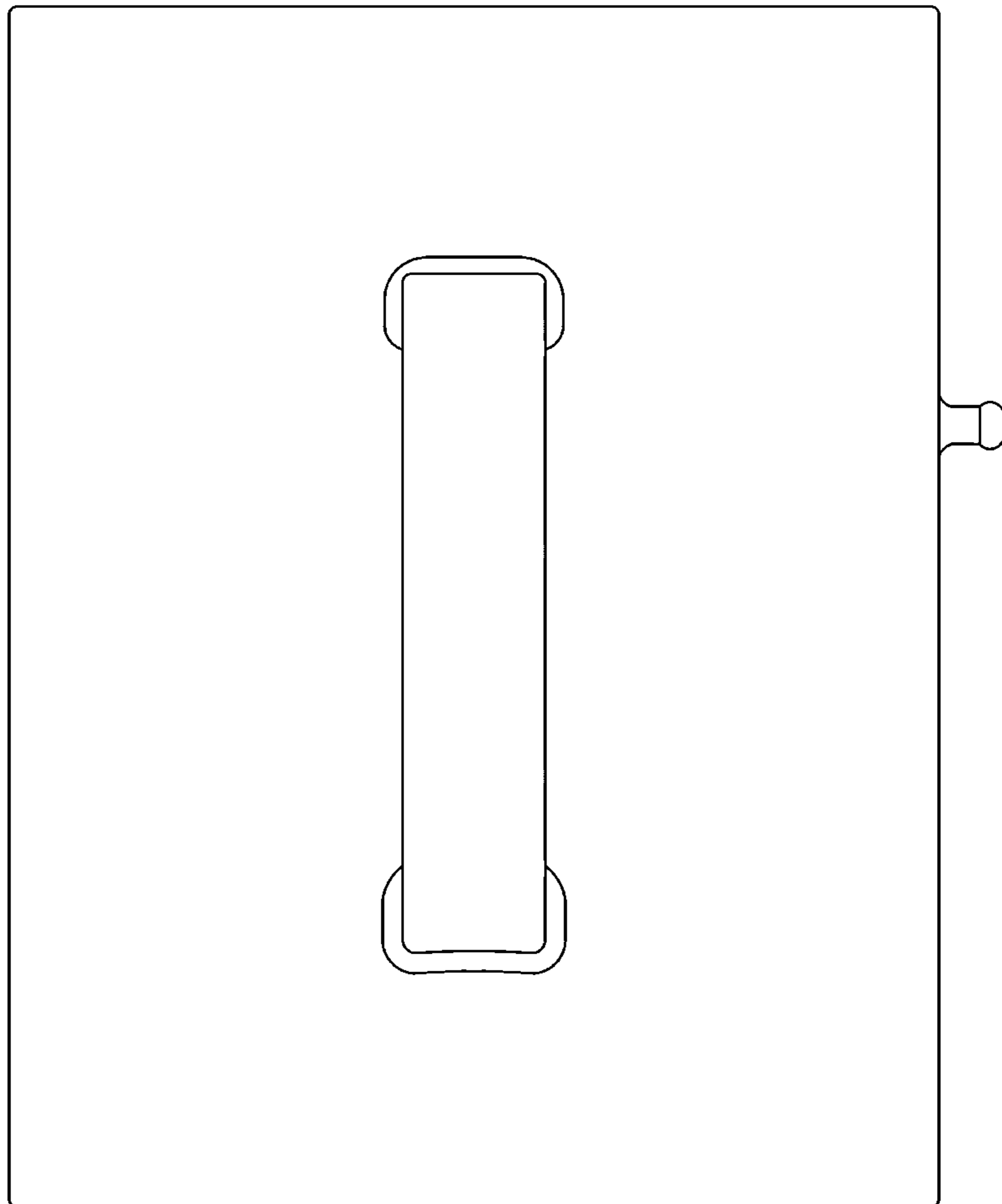


FIG. 4

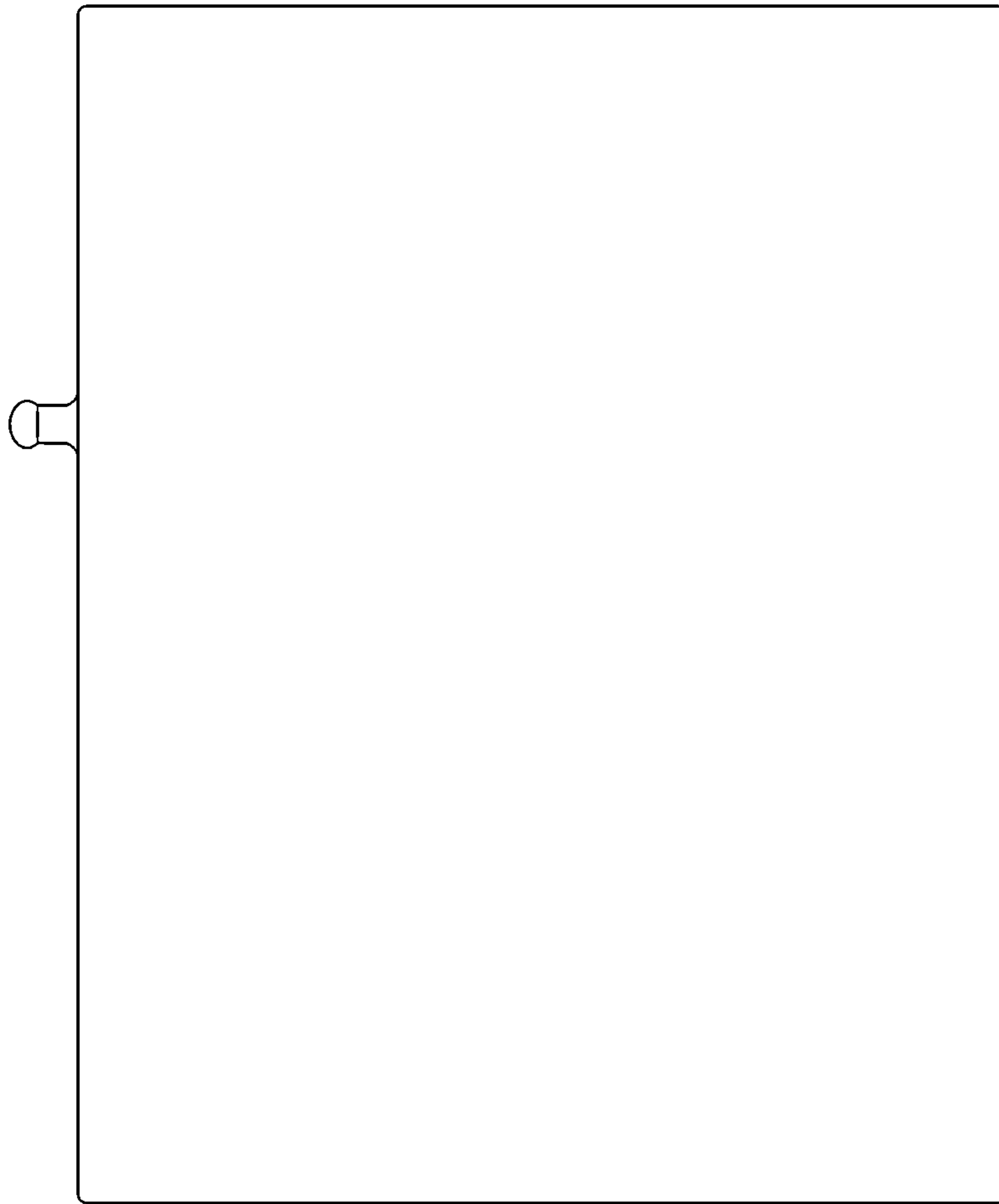


FIG. 5

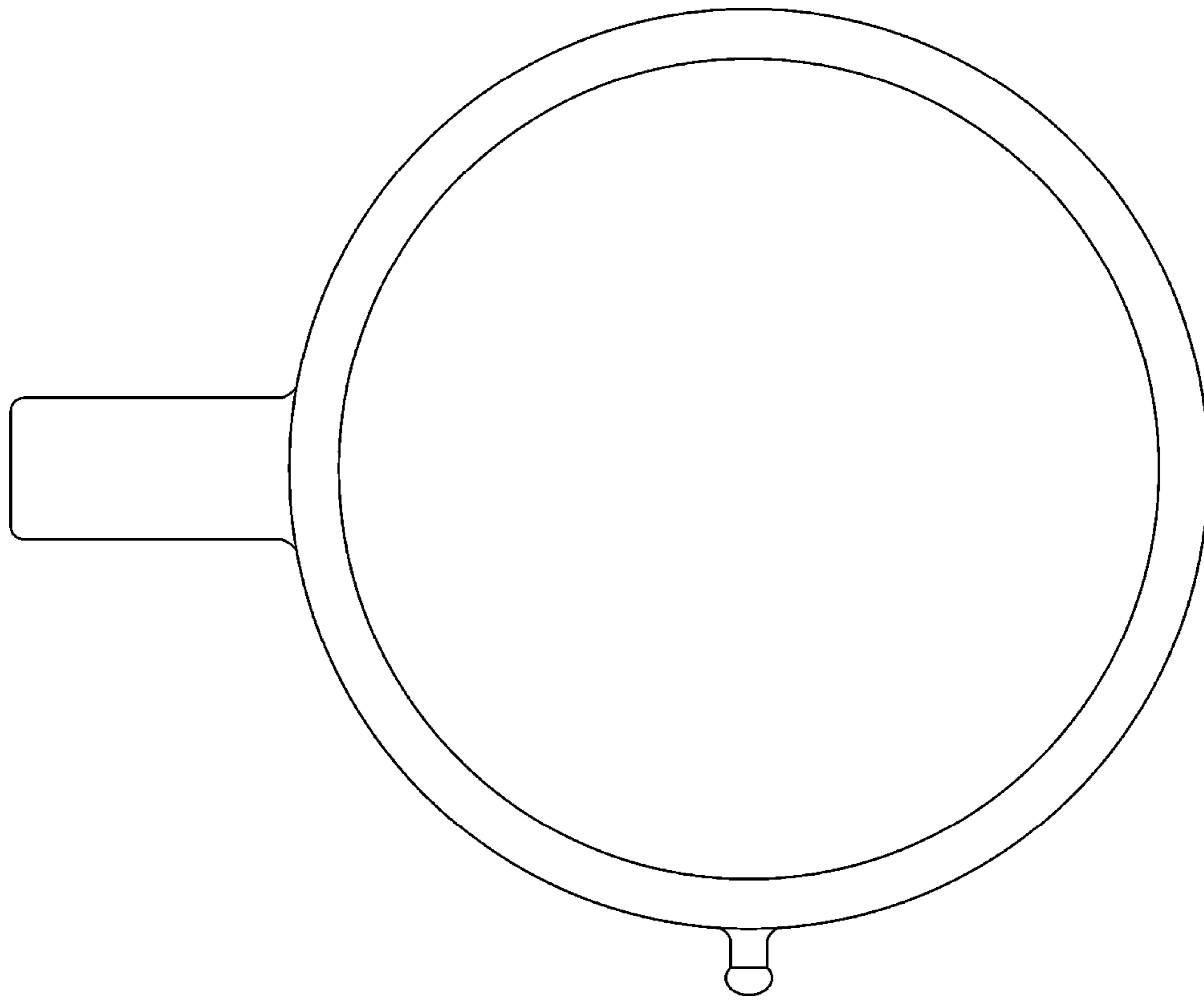


FIG. 6

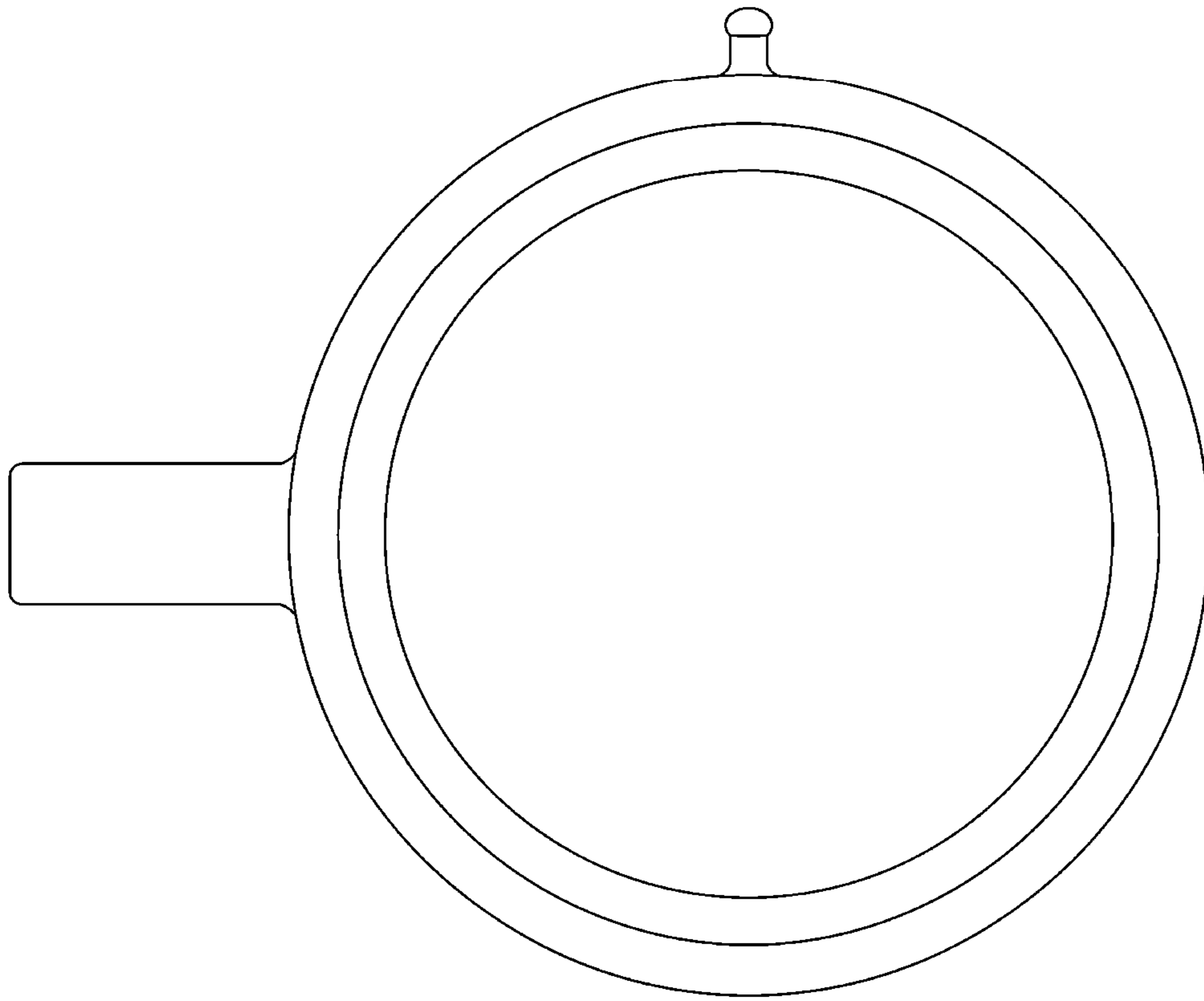


FIG. 7

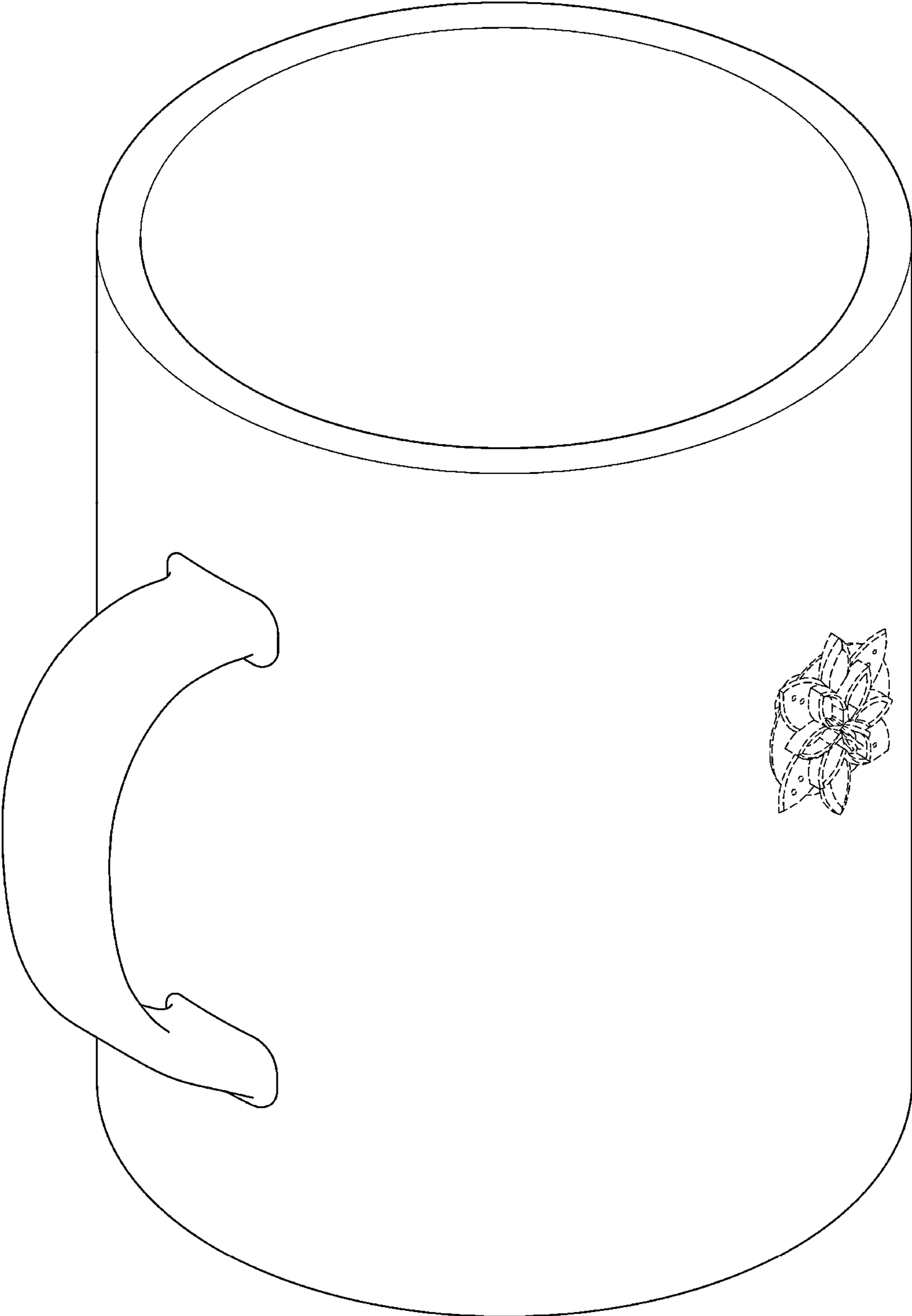


FIG. 8