



US00D976053S

(12) **United States Design Patent**  
**Ci et al.**

(10) **Patent No.:** **US D976,053 S**  
(45) **Date of Patent:** **\*\* Jan. 24, 2023**

(54) **MILK FOAMER**  
(71) Applicant: **Yanxiong Sheng**, Guangdong (CN)  
(72) Inventors: **Longwen Ci**, Guangdong (CN);  
**Yanxiong Sheng**, Guangdong (CN)  
(\*\*) Term: **15 Years**  
(21) Appl. No.: **29/835,382**  
(22) Filed: **Apr. 19, 2022**

D728,302 S \* 5/2015 Vu ..... D7/378  
D749,353 S 2/2016 De'Longhi et al.  
D817,080 S \* 5/2018 Seidl ..... A47J 43/25  
D7/377  
D895,348 S \* 9/2020 Vignau-Lous ..... D7/378  
D896,566 S \* 9/2020 Wang ..... D7/378  
D918,636 S \* 5/2021 Mangiarotti ..... D7/318  
D920,032 S \* 5/2021 McConnell ..... D7/378  
D934,609 S \* 11/2021 Ellis ..... D7/319  
D936,412 S \* 11/2021 Lissoni ..... D7/377  
D943,338 S \* 2/2022 Feng ..... D7/378

(30) **Foreign Application Priority Data**

Apr. 7, 2022 (CN) ..... 202230192663.3

(51) **LOC (14) Cl.** ..... **31-00**

(52) **U.S. Cl.**  
USPC ..... **D7/377; D7/376; D7/378; D7/412**

(58) **Field of Classification Search**  
USPC ..... D7/318, 319, 372, 376-386, 412-413,  
D7/602, 629, 665-666, 669, 679,  
D7/693-694

CPC .... A21C 1/02; A21C 1/04; A23N 1/00; A23N  
1/02; A47J 43/04; A47J 43/25; A47J  
43/27; A47J 43/042; A47J 43/044; A47J  
43/046; A47J 43/075; A47J 43/0722;  
A47J 43/0727; B01F 3/00; B01F 3/0807;  
B01F 3/0853; B01F 13/0059; B01F  
13/0064; B02C 1/08; B02C 2/04; B02C  
4/42; B02C 4/142; B02C 4/143; B02C  
4/423; B02C 13/1835; B28C 5/10; B28C  
5/12; B28C 5/14; B28C 5/16

See application file for complete search history.

(56) **References Cited**

**U.S. PATENT DOCUMENTS**

D629,643 S \* 12/2010 Bower ..... D7/378  
D630,467 S \* 1/2011 Harrod ..... D7/378

**OTHER PUBLICATIONS**

Valigoo Milk Frother and Steamer. Date First Available on Amazon.com May 16, 2022. <https://www.amazon.com/dp/B0B1D2YSRY/ref> (Year: 2022).\*

\* cited by examiner

*Primary Examiner* — Ricky Pham

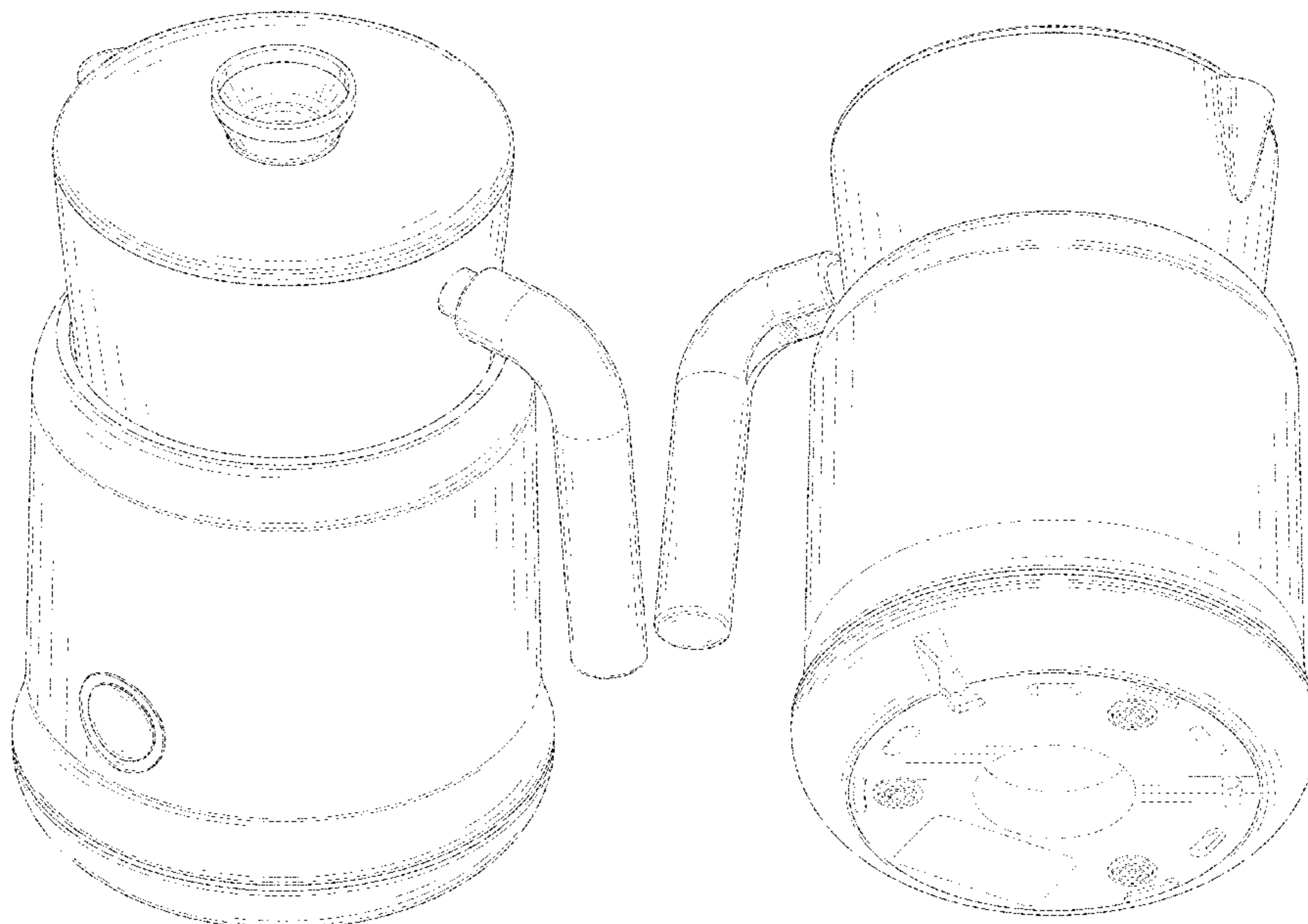
(57) **CLAIM**

The ornamental design for a milk foamer, as shown and described.

**DESCRIPTION**

FIG. 1 is a front and top perspective view of a milk foamer, showing our new design;  
FIG. 2 is a rear and bottom perspective view thereof;  
FIG. 3 is a front elevation view thereof;  
FIG. 4 is a rear elevation view thereof;  
FIG. 5 is a left side elevation view thereof;  
FIG. 6 is a right side elevation view thereof;  
FIG. 7 is a top plan view thereof; and,  
FIG. 8 is a bottom plan view thereof.  
The broken lines in the figures illustrate portions of the milk foamer that form no part of the claimed design.

**1 Claim, 8 Drawing Sheets**



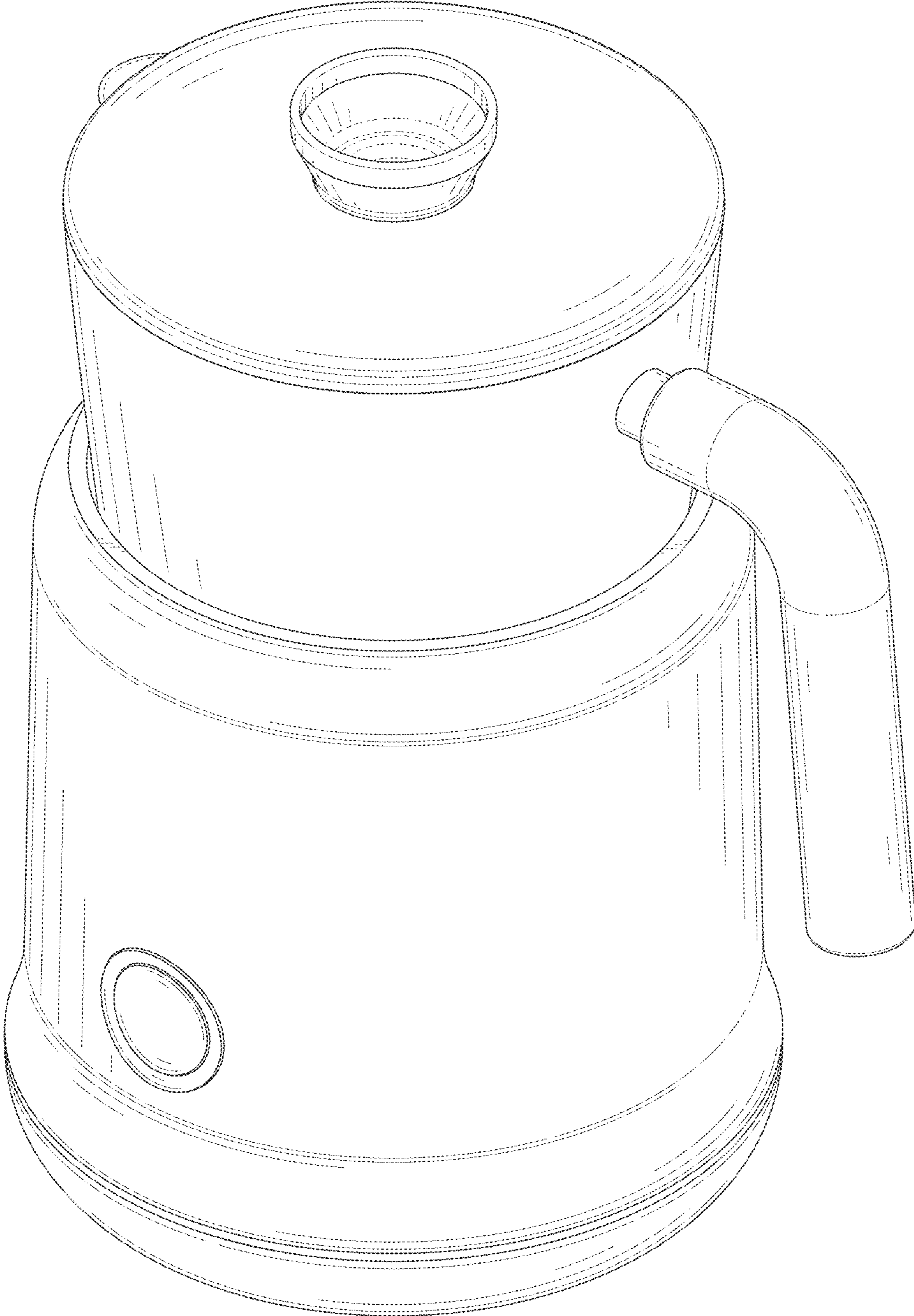


FIG. 1

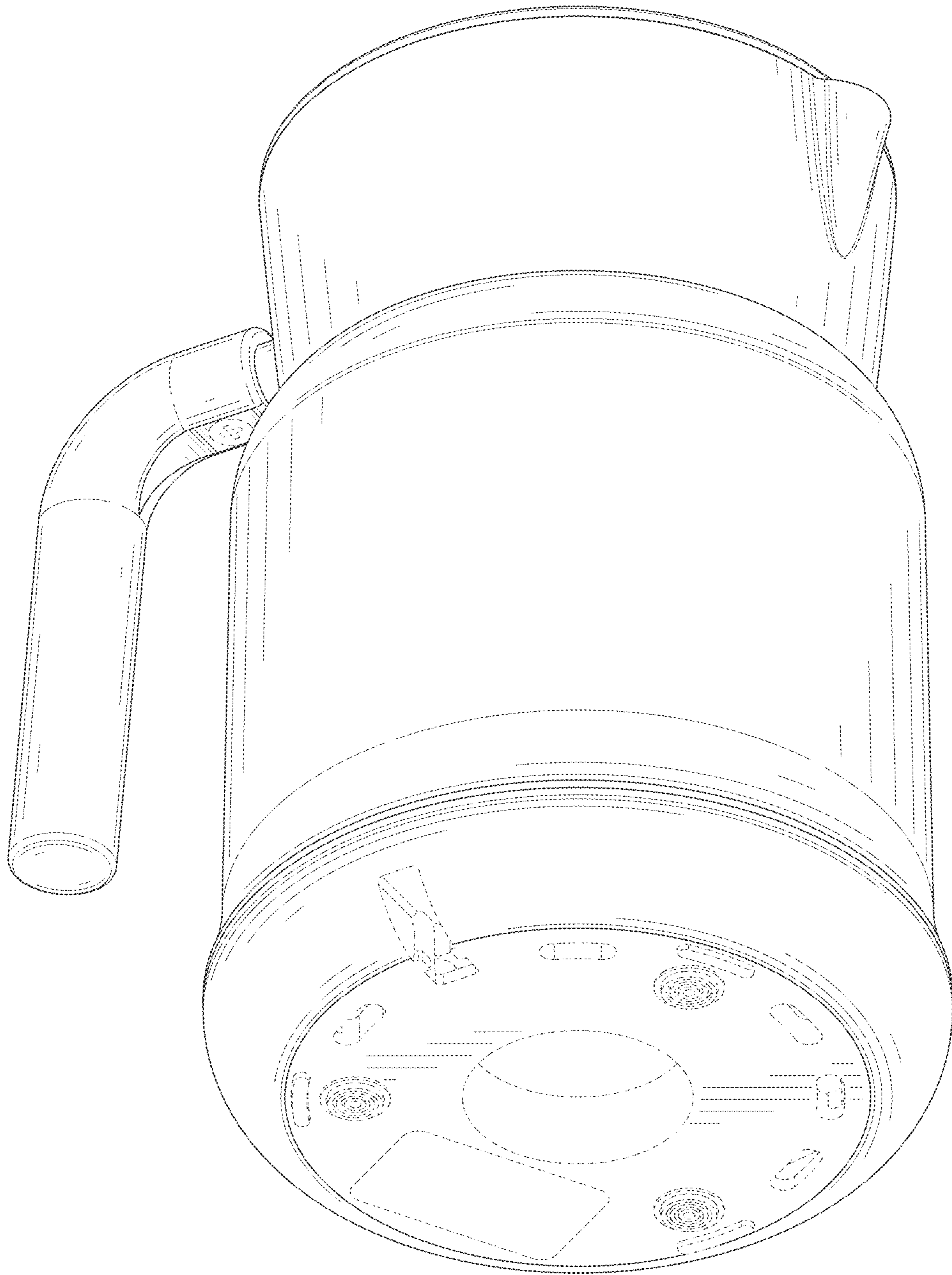


FIG. 2

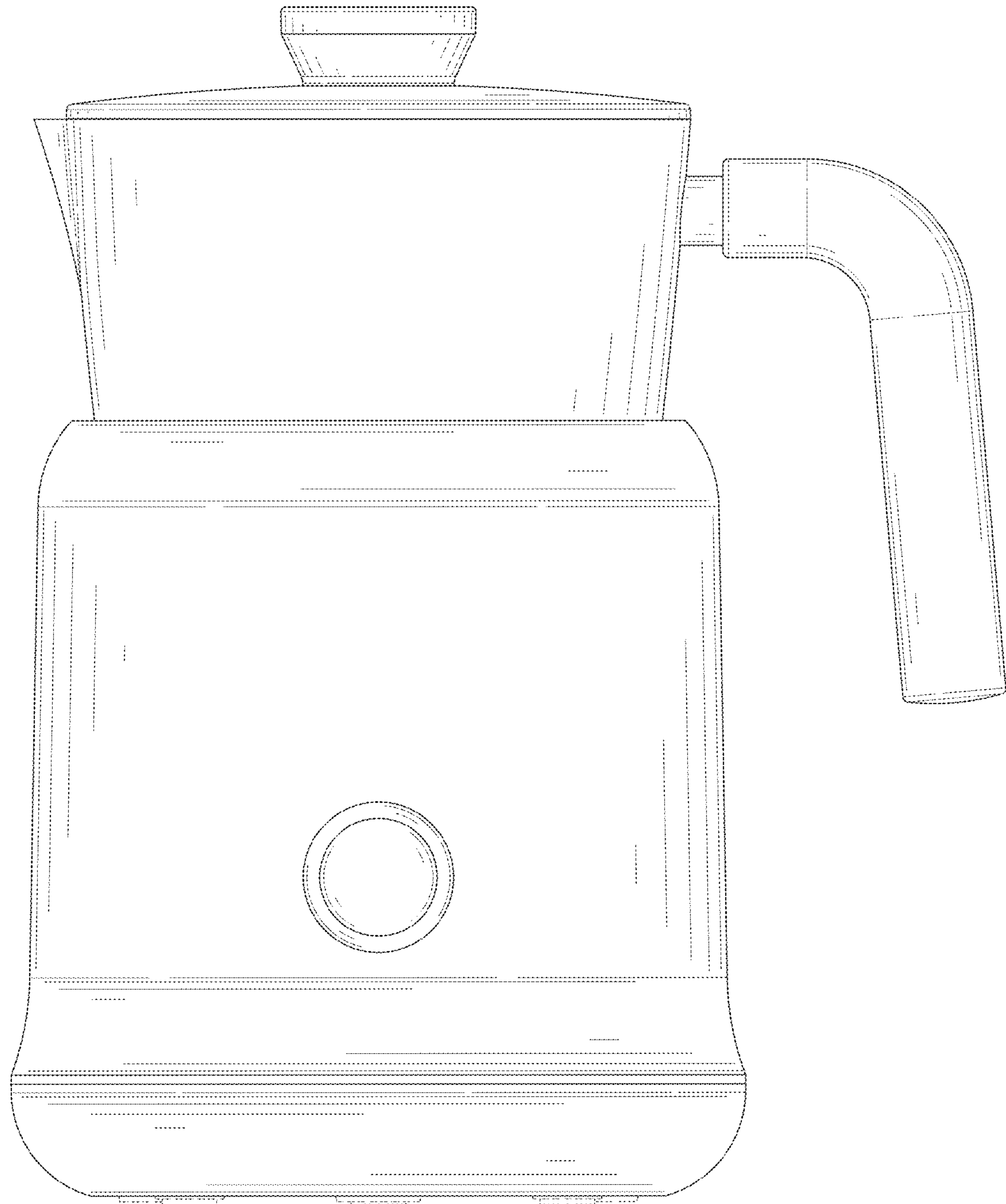


FIG. 3

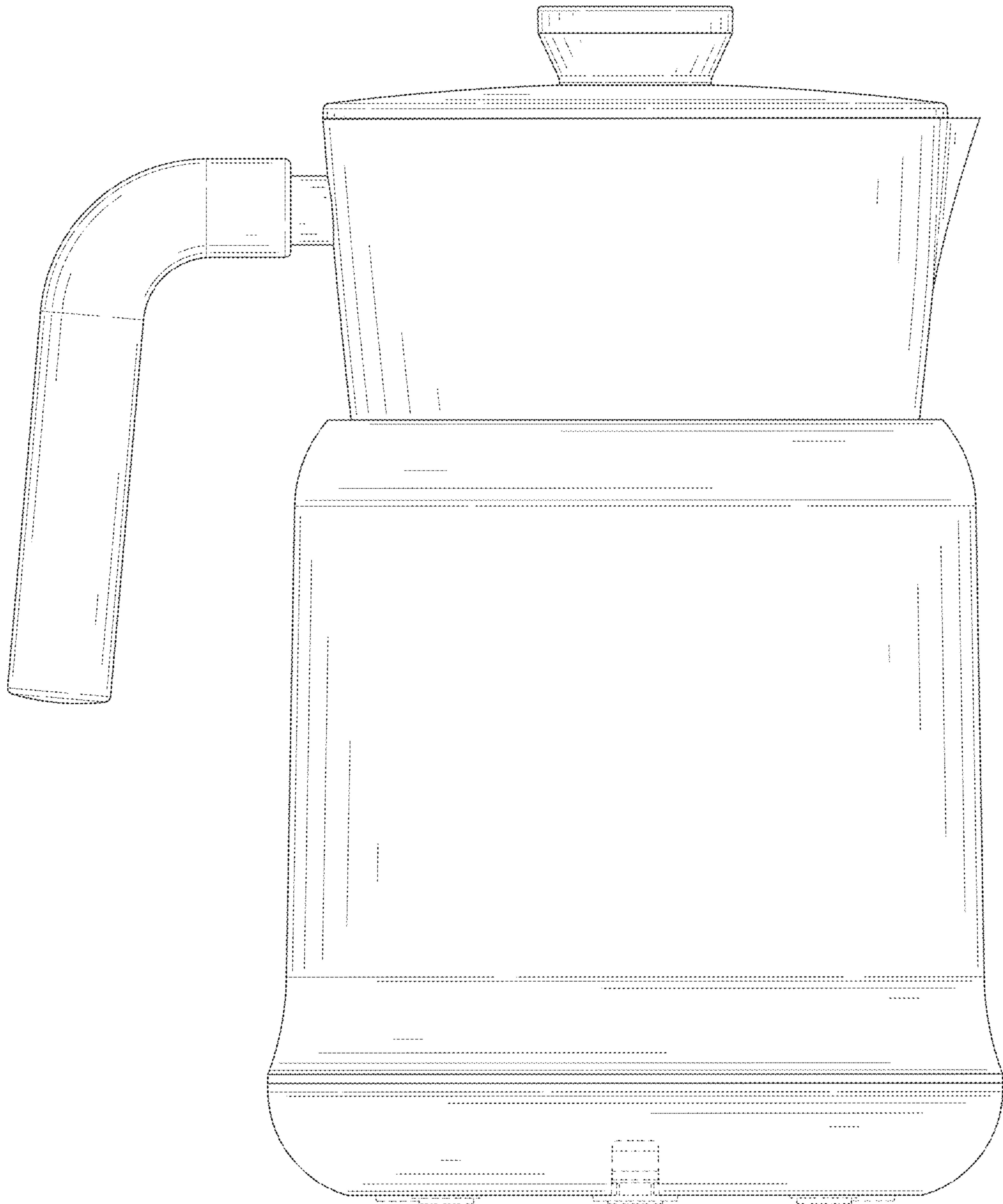


FIG. 4

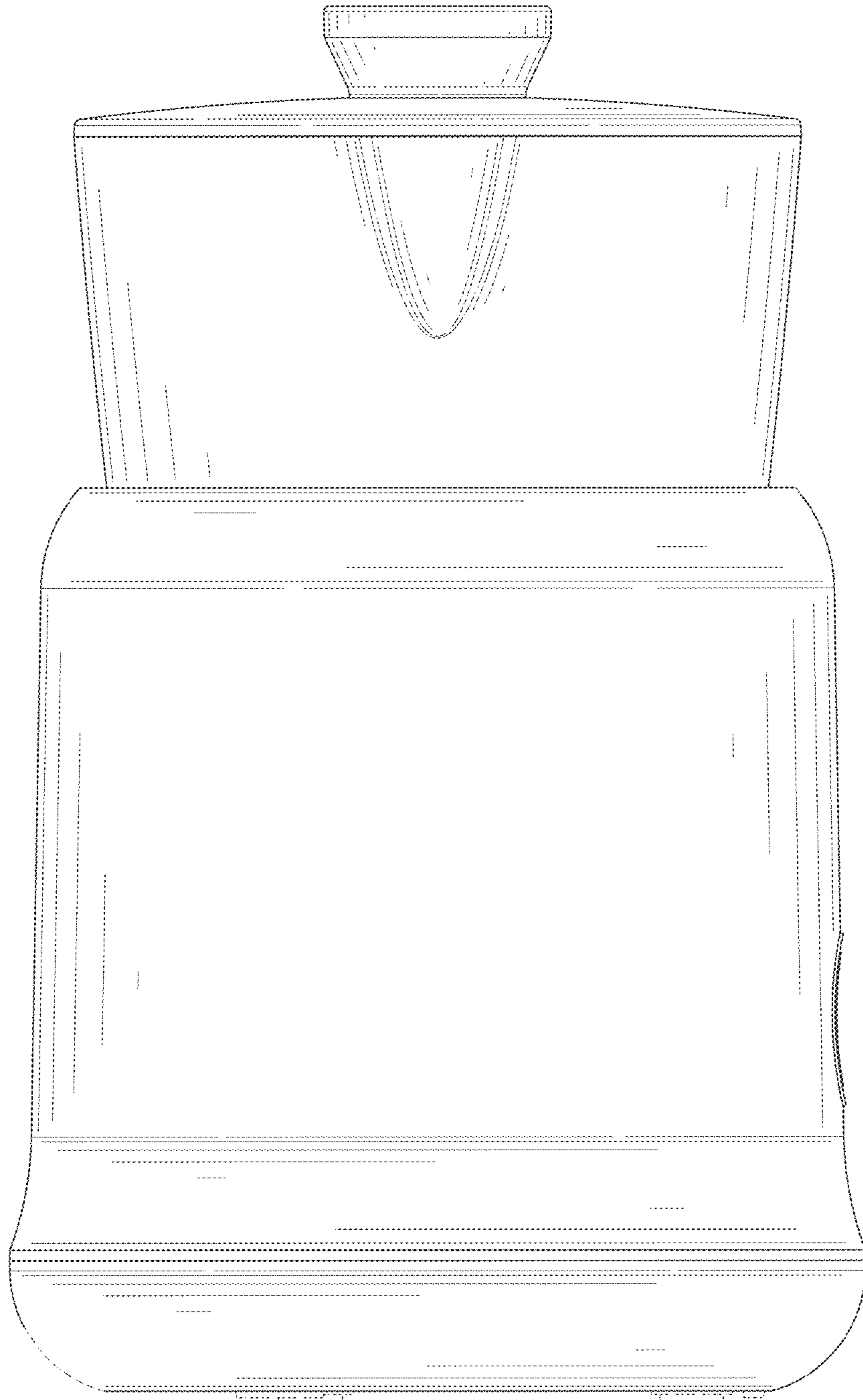


FIG. 5

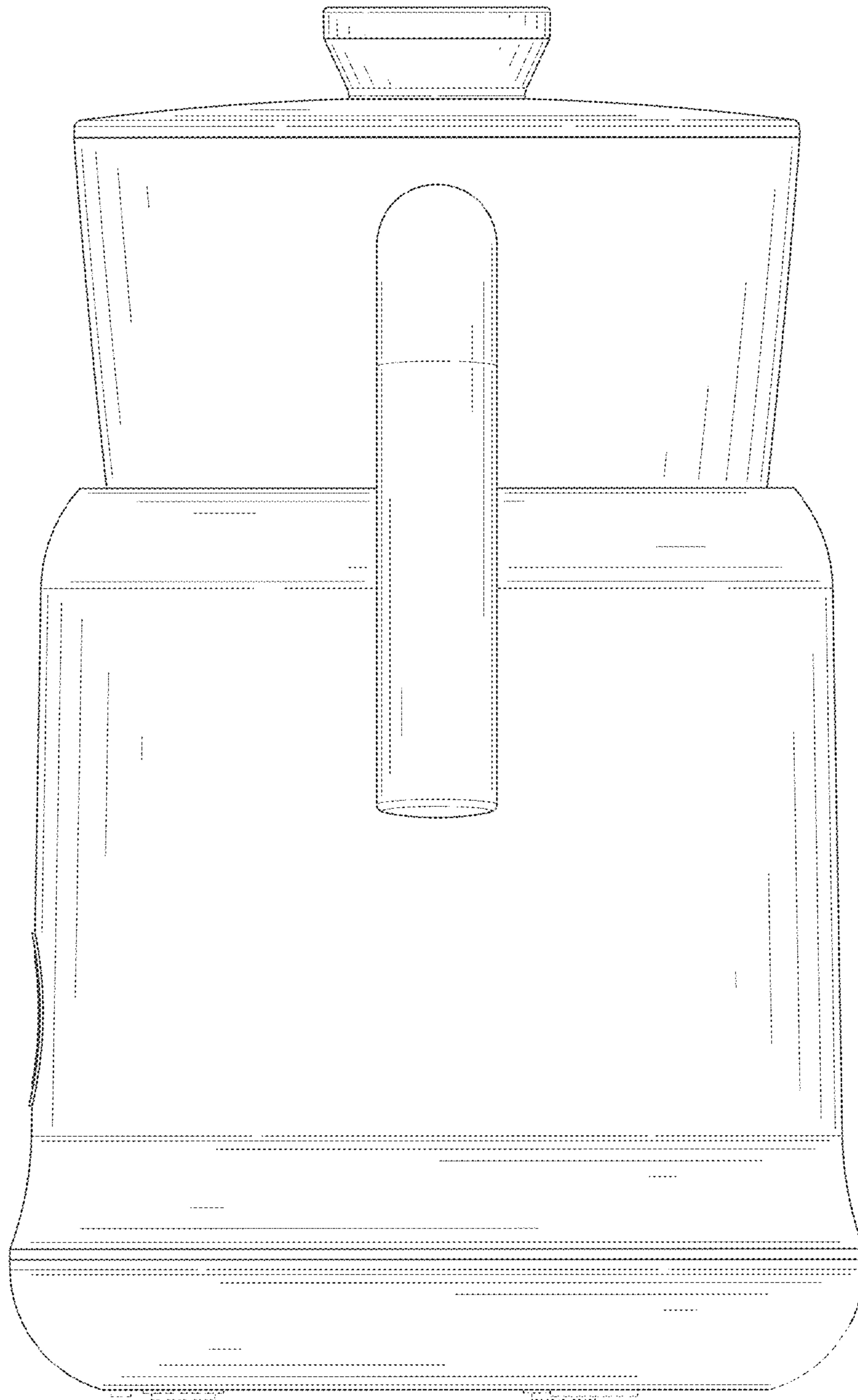


FIG. 6

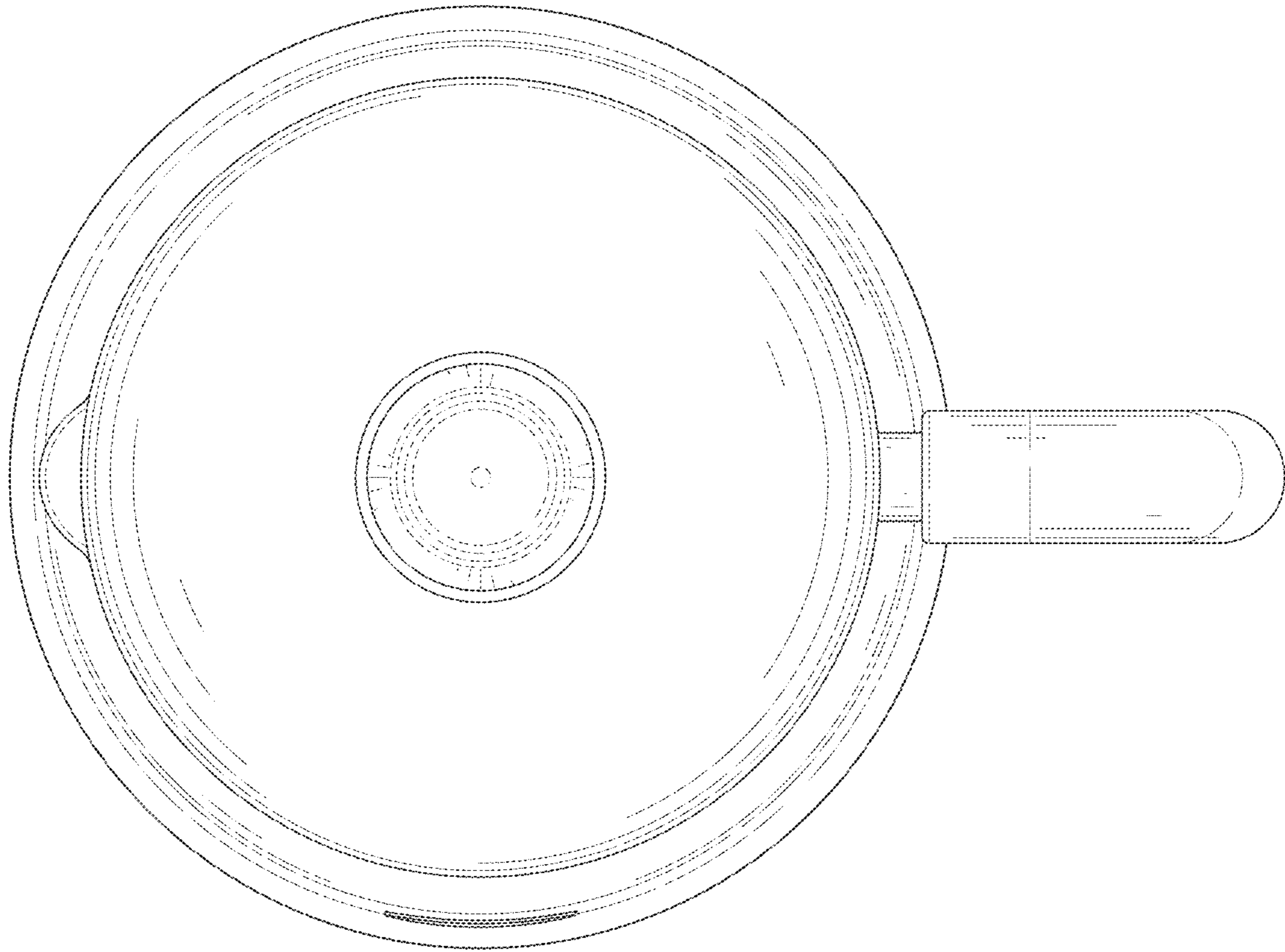


FIG. 7



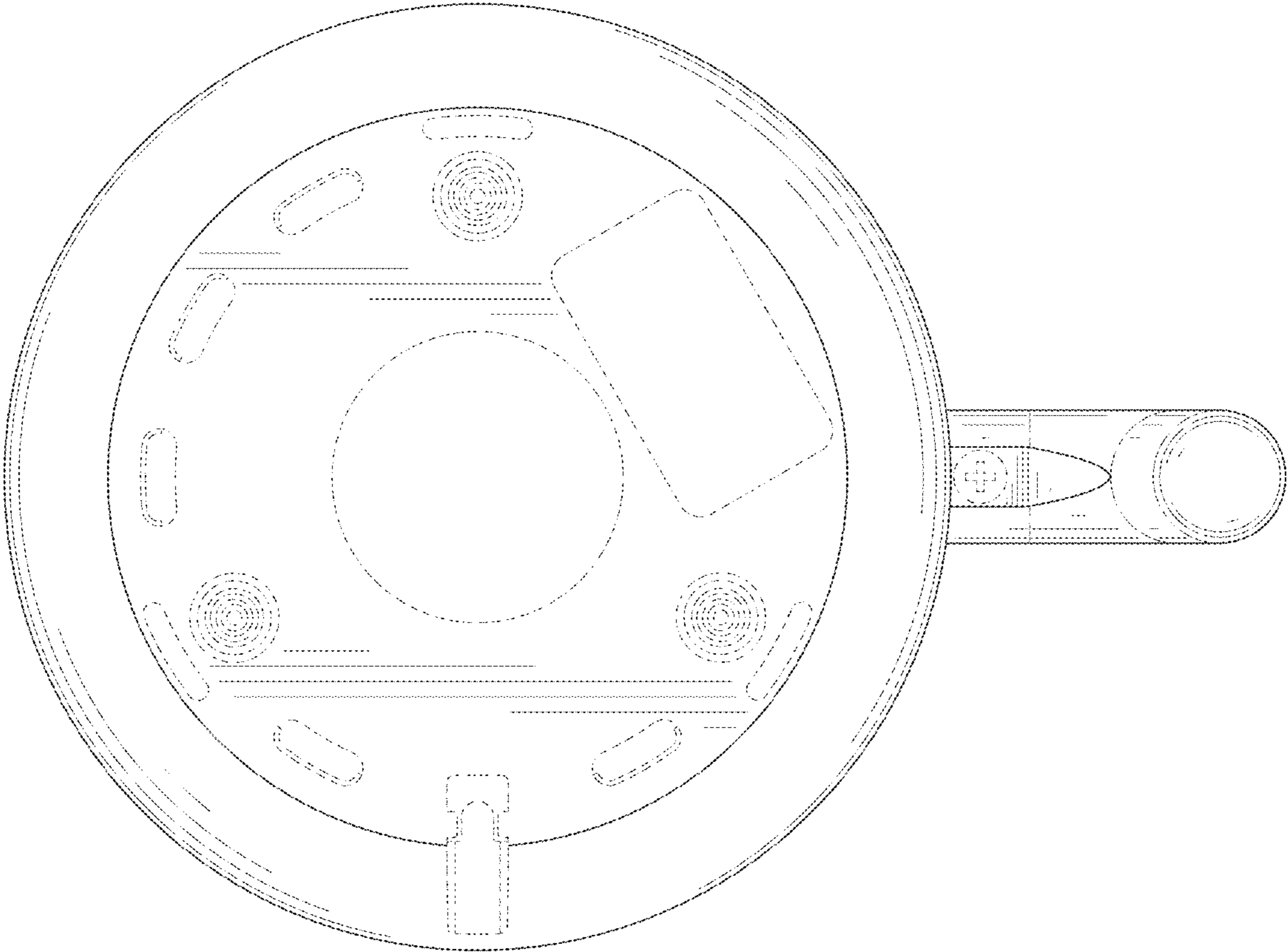


FIG. 8