



US00D976052S

(12) **United States Design Patent**
Olsen et al.

(10) **Patent No.:** **US D976,052 S**
(45) **Date of Patent:** **** Jan. 24, 2023**

- (54) **PAN**
- (71) Applicant: **Lagom Kitchen Co.**, Culver City, CA (US)
- (72) Inventors: **Melinda Olsen**, Los Angeles, CA (US); **Amir Tehrani**, Los Angeles, CA (US); **Zachary Rosner**, Los Angeles, CA (US); **Christopher Santone**, Brooklyn, NY (US); **Hlynur Atlason**, New York, NY (US)

D499,930 S * 12/2004 Bodum D7/361
 6,848,592 B2 2/2005 Logiudice
 D580,214 S 11/2008 Dodane
 (Continued)

FOREIGN PATENT DOCUMENTS

CA 2 455 023 A1 7/2004
 CN 303263055 * 7/2015
 (Continued)

OTHER PUBLICATIONS

Crock-Pot 10" Cooking Pan, posted Dec. 1, 2020 [online], [retrieved Aug. 1, 2022]. Retrieved from internet, <https://www.target.com/p/crock-pot-10-inch-round-artisan-enameled-non-stick-cast-iron-skillet-cooking-pan-with-long-carry-handle-and-double-pour-spouts-scarlet-red/-/A-82228117#lnk=sametab> (Year: 2020).*

(Continued)

Primary Examiner — Nicole C Shiflet
Assistant Examiner — Yen Le Southwood
 (74) *Attorney, Agent, or Firm* — Banner & Witcoff, Ltd.

- (73) Assignee: **Lagom Kitchen Co.**, Culver City, CA (US)

(**) Term: **15 Years**

(21) Appl. No.: **29/777,333**

(22) Filed: **Apr. 5, 2021**

(51) **LOC (14) Cl.** **07-02**

(52) **U.S. Cl.**
USPC **D7/360**

(58) **Field of Classification Search**
 USPC D7/323, 354, 355, 356, 357, 358, 359,
 D7/360, 361, 363, 402, 387, 393, 394,
 D7/395
 CPC A47J 37/10; A47J 37/105; A47J 36/025;
 A47J 45/061

See application file for complete search history.

(56) **References Cited**

U.S. PATENT DOCUMENTS

D41,717 S 8/1911 Swan
 4,310,418 A 1/1982 Busbey
 D363,851 S 11/1995 Chen
 D366,181 S * 1/1996 Rossiaud D7/395
 D370,826 S 6/1996 Thurlow
 D375,433 S * 11/1996 Jorgensen D7/354
 D377,883 S * 2/1997 Candianides D7/361
 D453,092 S * 1/2002 Coudurier D7/361
 D469,655 S 2/2003 Ryan et al.

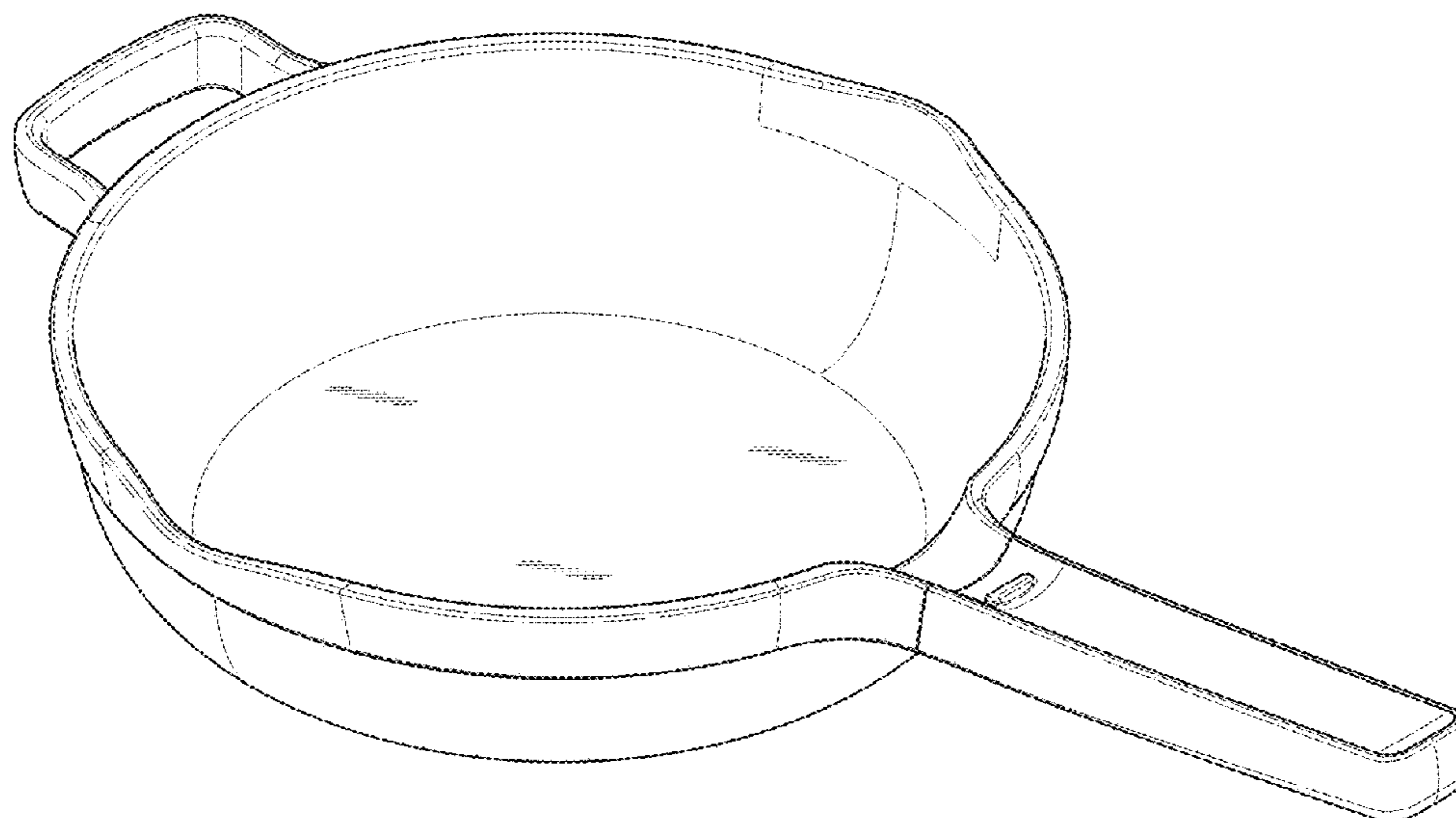
(57) **CLAIM**

The ornamental design for a pan, as shown and described.

DESCRIPTION

FIG. 1 is a top perspective view of a pan showing our design; FIG. 2 is a bottom perspective view thereof; FIG. 3 is an alternate top perspective view thereof; FIG. 4 is a front elevation view thereof, the rear elevation view being a mirror image thereof; FIG. 5 is a right side elevation view thereof; FIG. 6 is a left side elevation view thereof; FIG. 7 is a top plan view thereof; and, FIG. 8 is a bottom view thereof. The broken lines showing portions of the article form no part of the claimed design.

1 Claim, 7 Drawing Sheets



(56)

References Cited

U.S. PATENT DOCUMENTS

D587,062 S 2/2009 Ek
 D587,519 S 3/2009 Cheng et al.
 D600,497 S * 9/2009 Ek D7/361
 D628,851 S * 12/2010 Bergne D7/354
 D693,627 S * 11/2013 Moon D7/354
 D696,060 S * 12/2013 Schleinzer D7/354
 D732,335 S * 6/2015 Thonis D7/354
 D734,091 S * 7/2015 Moon D7/354
 D756,163 S 5/2016 Gabbay
 D794,379 S * 8/2017 Mejia D7/354
 D797,494 S 9/2017 Mirchandani et al.
 D802,990 S * 11/2017 Workman D7/354
 D819,393 S 6/2018 Dodane
 D850,186 S 6/2019 Livingston
 D852,576 S 7/2019 Jamison et al.
 D879,546 S 3/2020 Hollinger
 D880,222 S 4/2020 Hollinger
 D883,731 S 5/2020 Tsai
 D888,490 S 6/2020 Li
 D929,797 S * 9/2021 Dorion D7/360
 D929,798 S * 9/2021 Tehrani D7/361
 D938,224 S * 12/2021 Rajasekaran D7/395
 D951,696 S * 5/2022 Li D7/354
 2013/0037553 A1 2/2013 Bourbeau et al.
 2018/0368625 A1 12/2018 Wada et al.

FOREIGN PATENT DOCUMENTS

CN 307456721 * 7/2022
 DE 8521152 U1 10/1985

EM 007538731-0002 A1 1/2020
 EP 2 976 977 A1 1/2016
 HK 2118576-0002 * 10/2021
 RU 2 264 152 C1 11/2005

OTHER PUBLICATIONS

Cuisinart Cast Iron Fryer, posted Aug. 13, 2020 [online], [retrieved Aug. 3, 2022]. Retrieved from internet, <https://clarkdeals.com/home-kitchen/cuisinart-12-cast-iron-chicken-fryer/> (Year: 2020).*

International Search Report and Written Opinion of the International Searching Authority issued by the RU Federal Institute of Industrial Property for corresponding International Application No. PCT/US2020/042498, dated Oct. 15, 2020.

Always Pan, announced Dec. 16, 2019 [online], URL: https://fromourplace.com/products/always-essential-cooking-pan?utm_source=pepperjam&utm_medium=affiliate&utm_campaign=200286&clickid=3276306738, retrieved from the Internet, Sep. 25, 2020.

These Designers Created a Pan That Is Able to Replace Most of Your Cookware by Itself, announced Nov. 28, 2019 [online], URL: <https://fortune.com/2019/11/28/our-place-always-pan-cookware-design/>, retrieved from the Internet, Sep. 25, 2020.

A Pan for Just About Anything, announced Sep. 23, 2019 [online], <https://www.nytimes.com/2019/09/23/dining/always-pan-from-our-place.html>, retrieved from the Internet, Sep. 25, 2020.

* cited by examiner

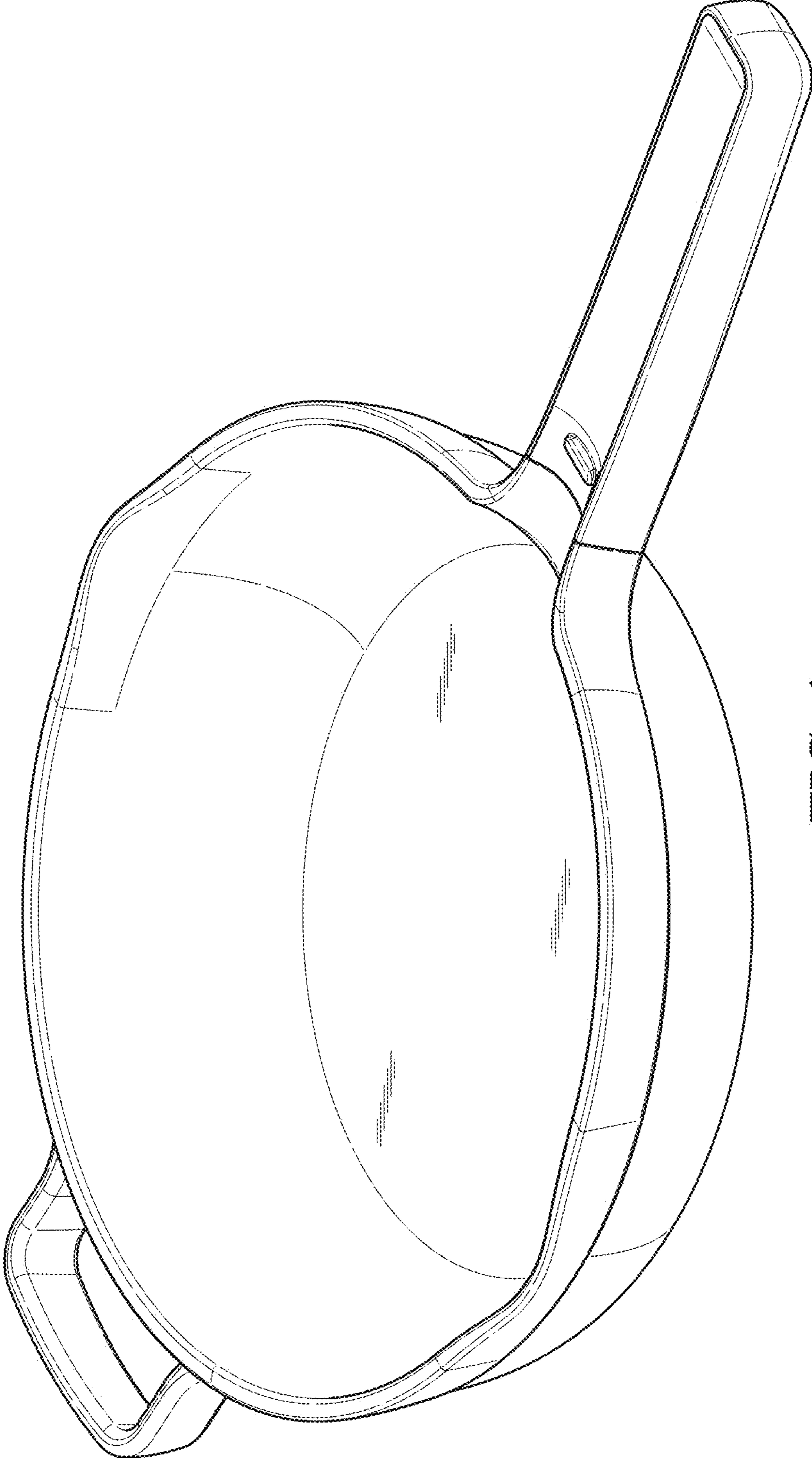


FIG. 1

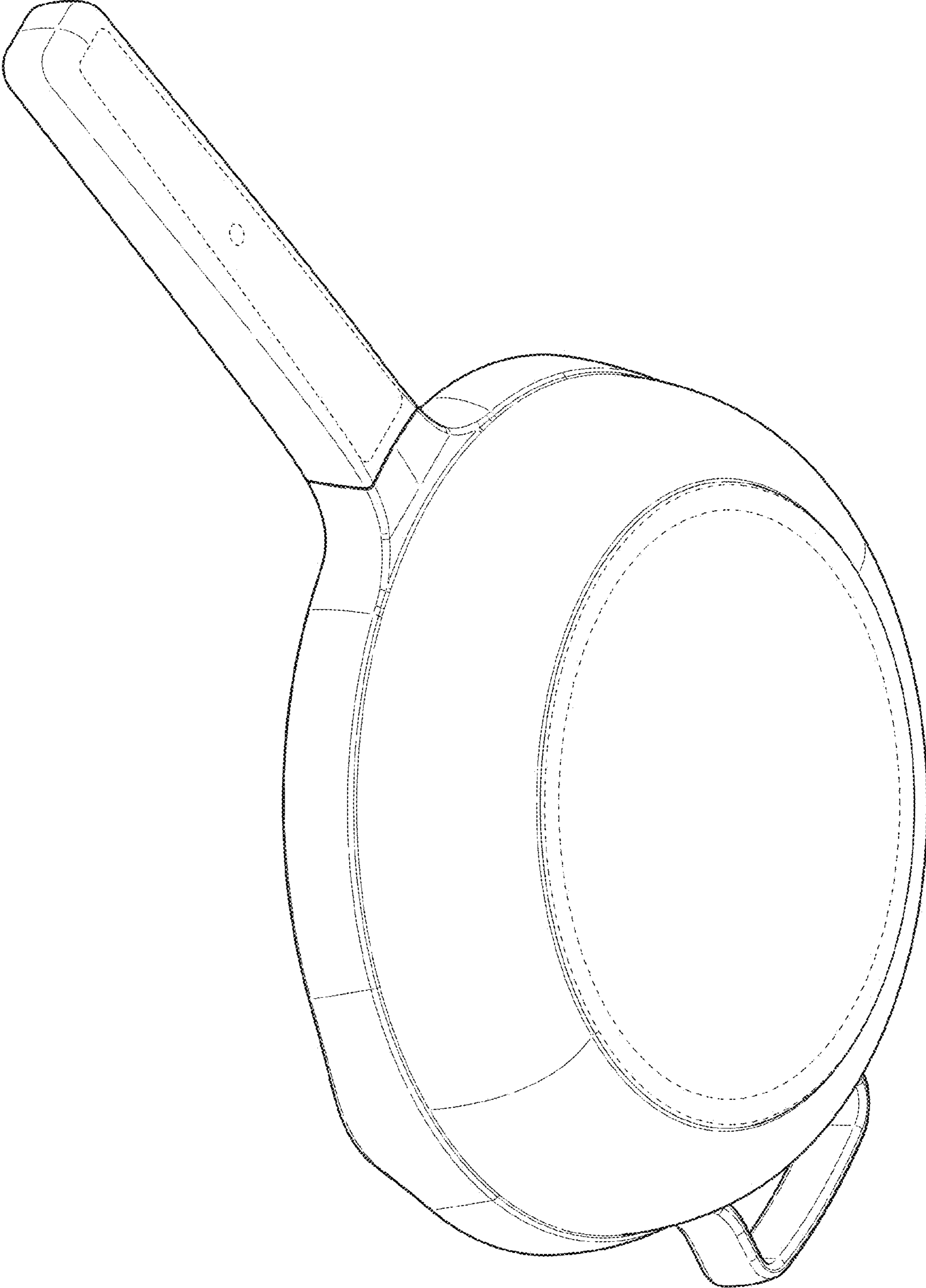


FIG. 2

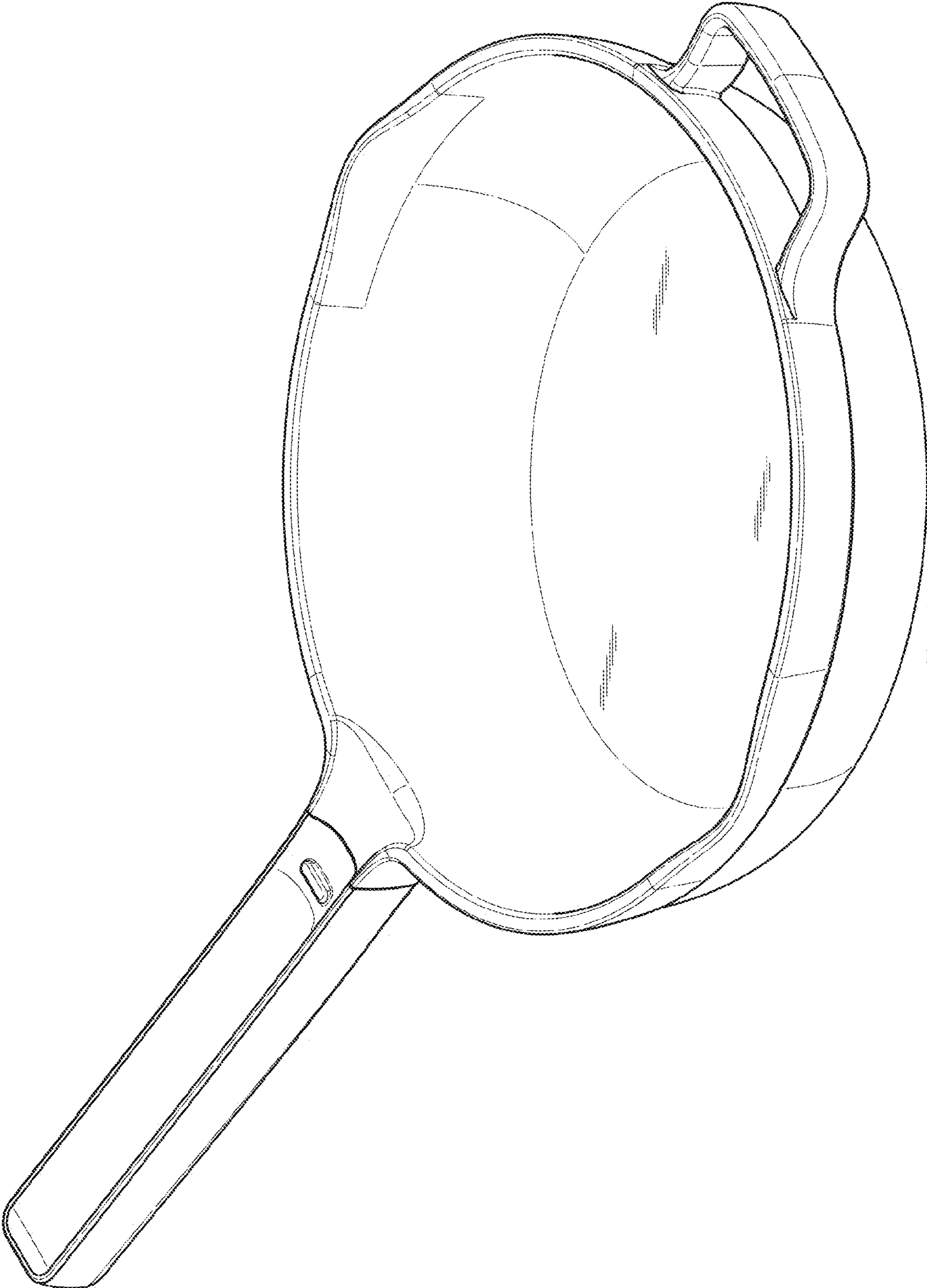


FIG. 3

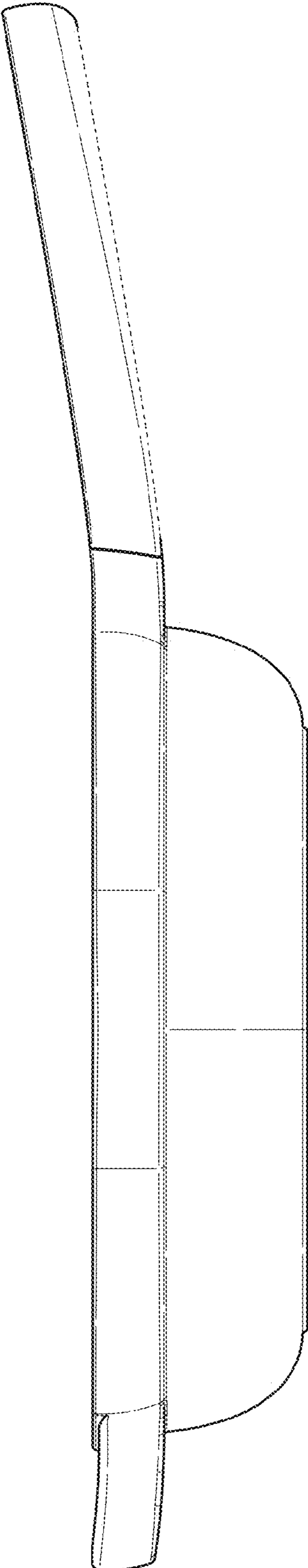


FIG. 4

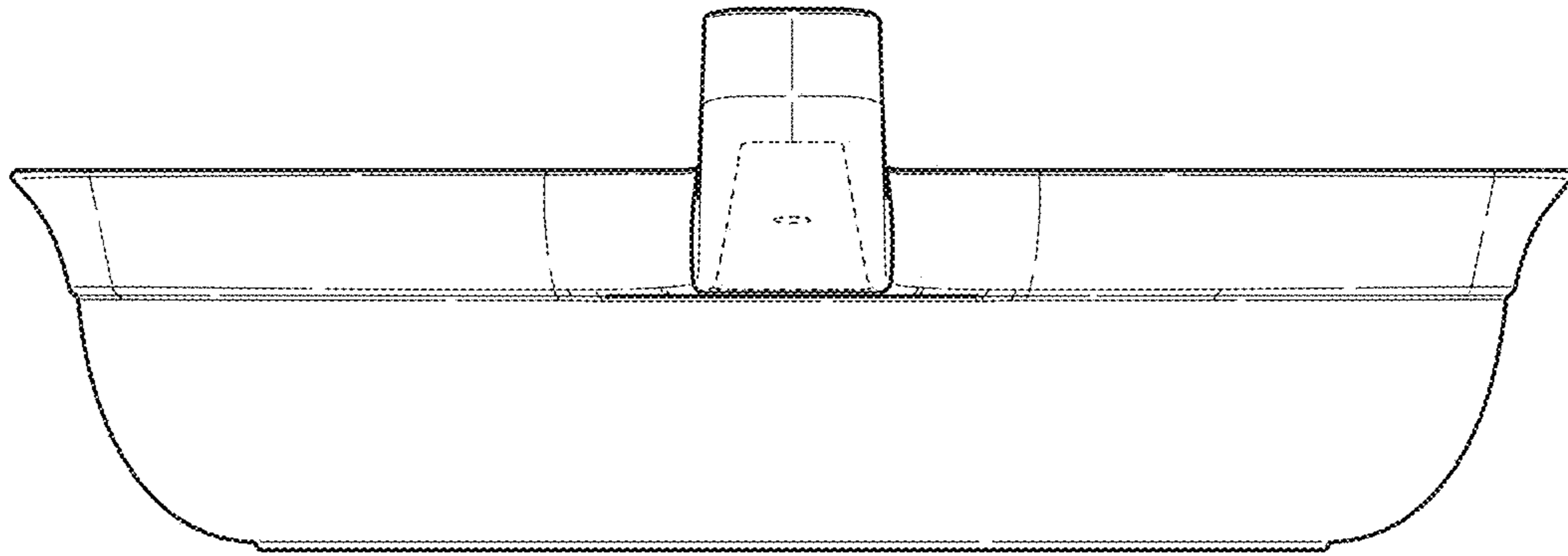


FIG. 5

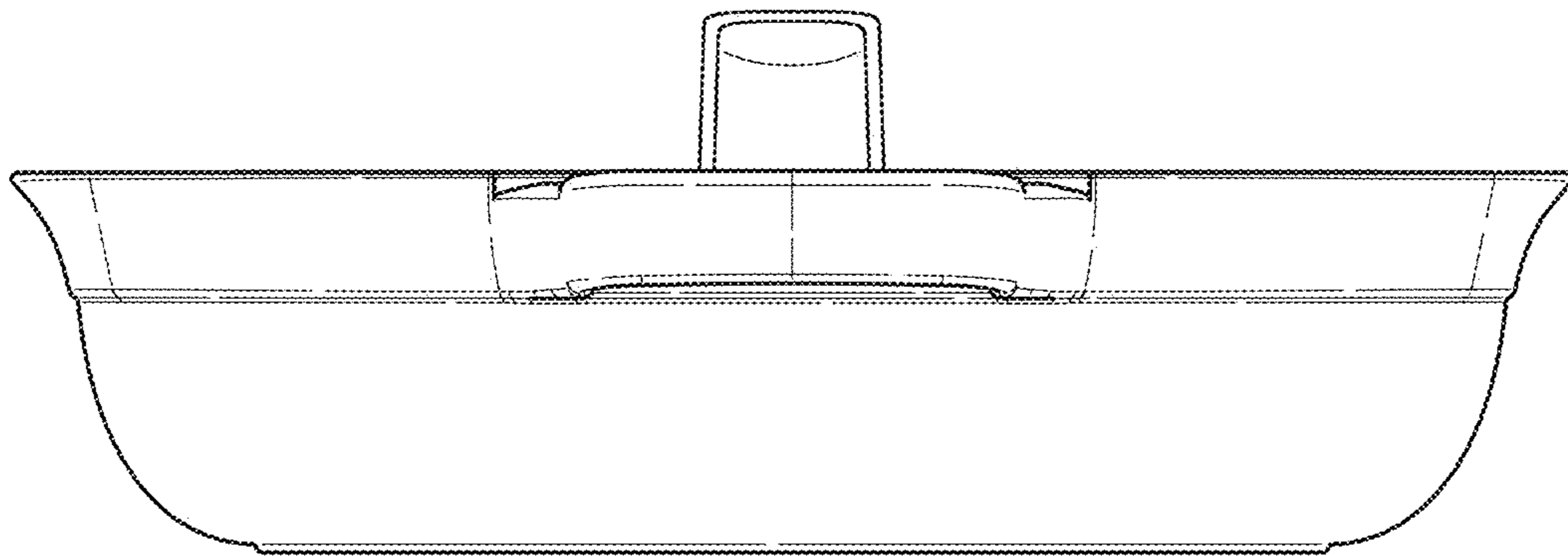


FIG. 6

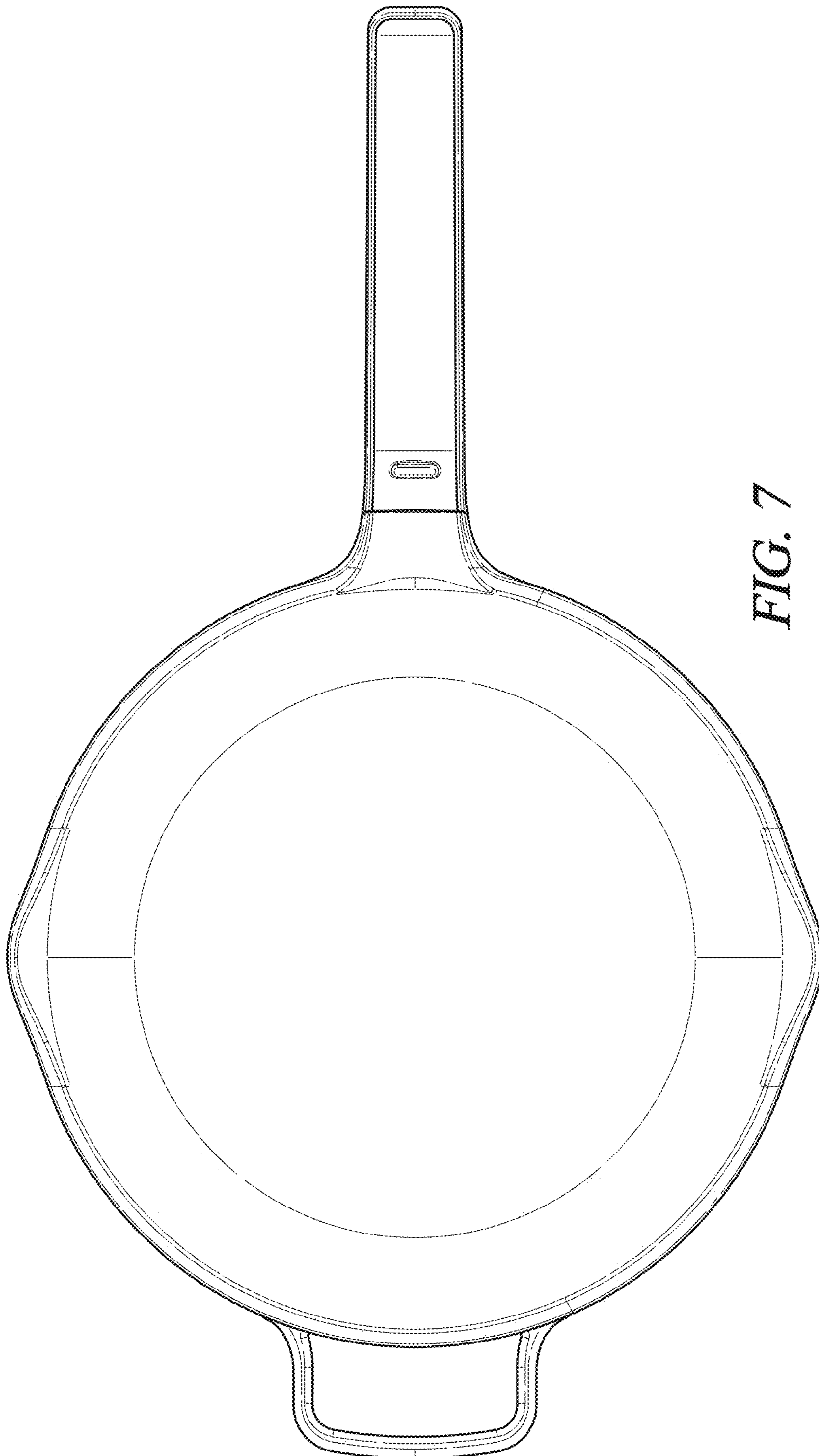


FIG. 7

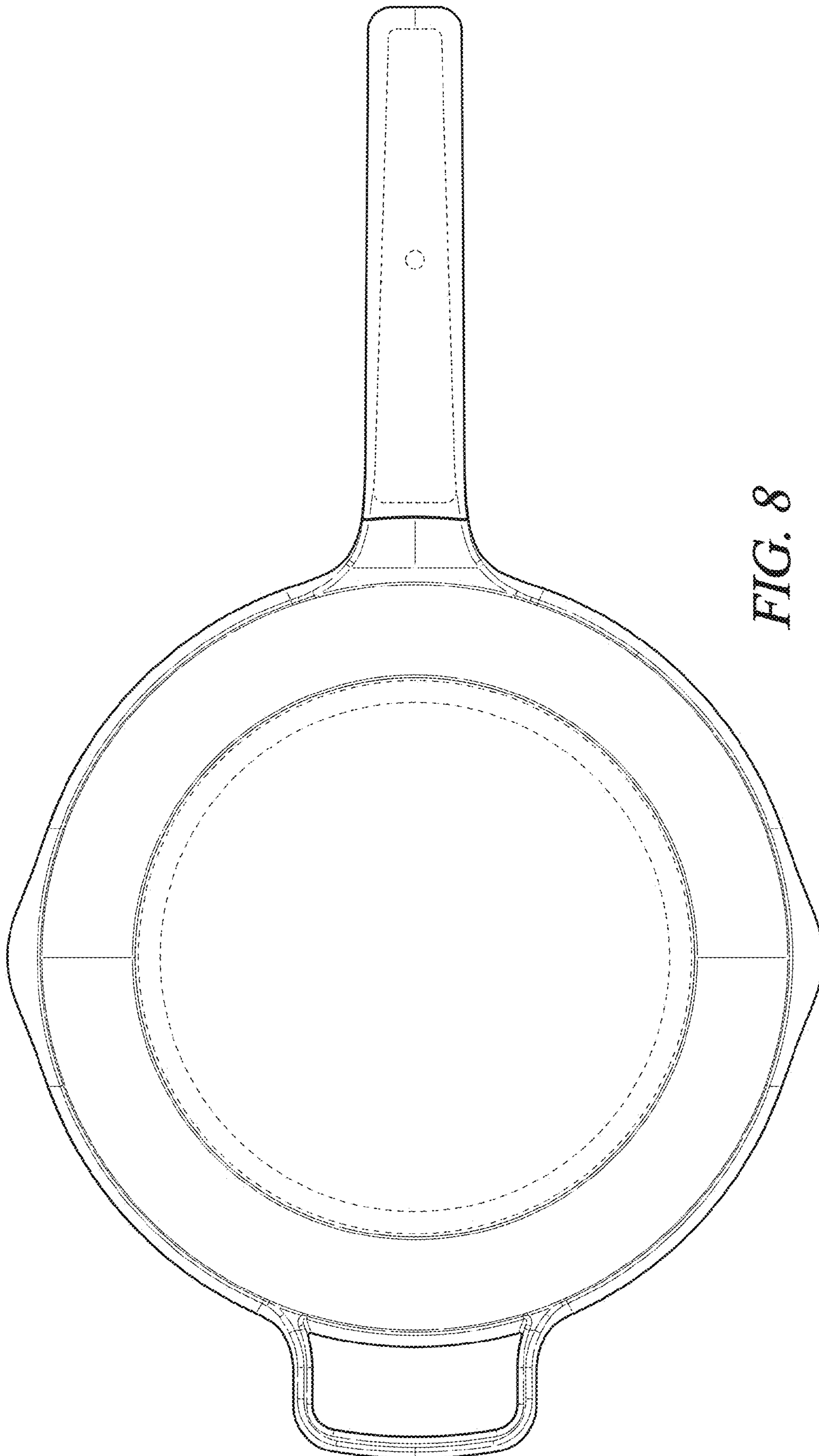


FIG. 8