



US00D976048S

(12) **United States Design Patent**
Sullivan

(10) **Patent No.: US D976,048 S**

(45) **Date of Patent: ** Jan. 24, 2023**

(54) **COLLAPSIBLE GRILL**

(71) Applicant: **Royce Sullivan**, Temecula, CA (US)

(72) Inventor: **Royce Sullivan**, Temecula, CA (US)

(**) Term: **15 Years**

(21) Appl. No.: **29/802,377**

(22) Filed: **Aug. 4, 2021**

(51) **LOC (14) Cl.** **07-02**

(52) **U.S. Cl.**
USPC **D7/332; D7/337**

(58) **Field of Classification Search**
USPC **D7/323, 332-338, 407-409; D23/332, D23/343**

(Continued)

(56) **References Cited**

U.S. PATENT DOCUMENTS

1,780,068 A 10/1930 Dorman
2,053,577 A 9/1936 Pearson

(Continued)

FOREIGN PATENT DOCUMENTS

GB 6059306 * 4/2019

OTHER PUBLICATIONS

UCO Flatpack Portable Stainless steel Grill and Fire Pit, Jul. 5, 2016, Amazon, <https://www.amazon.com/Flatpack-Portable-Stainless-Steel-Grill/dp/B01HZF9FMG> (Year: 2016).*

(Continued)

Primary Examiner — Brett Miller

(74) *Attorney, Agent, or Firm* — Quickpatents, LLC;
Kevin Prince

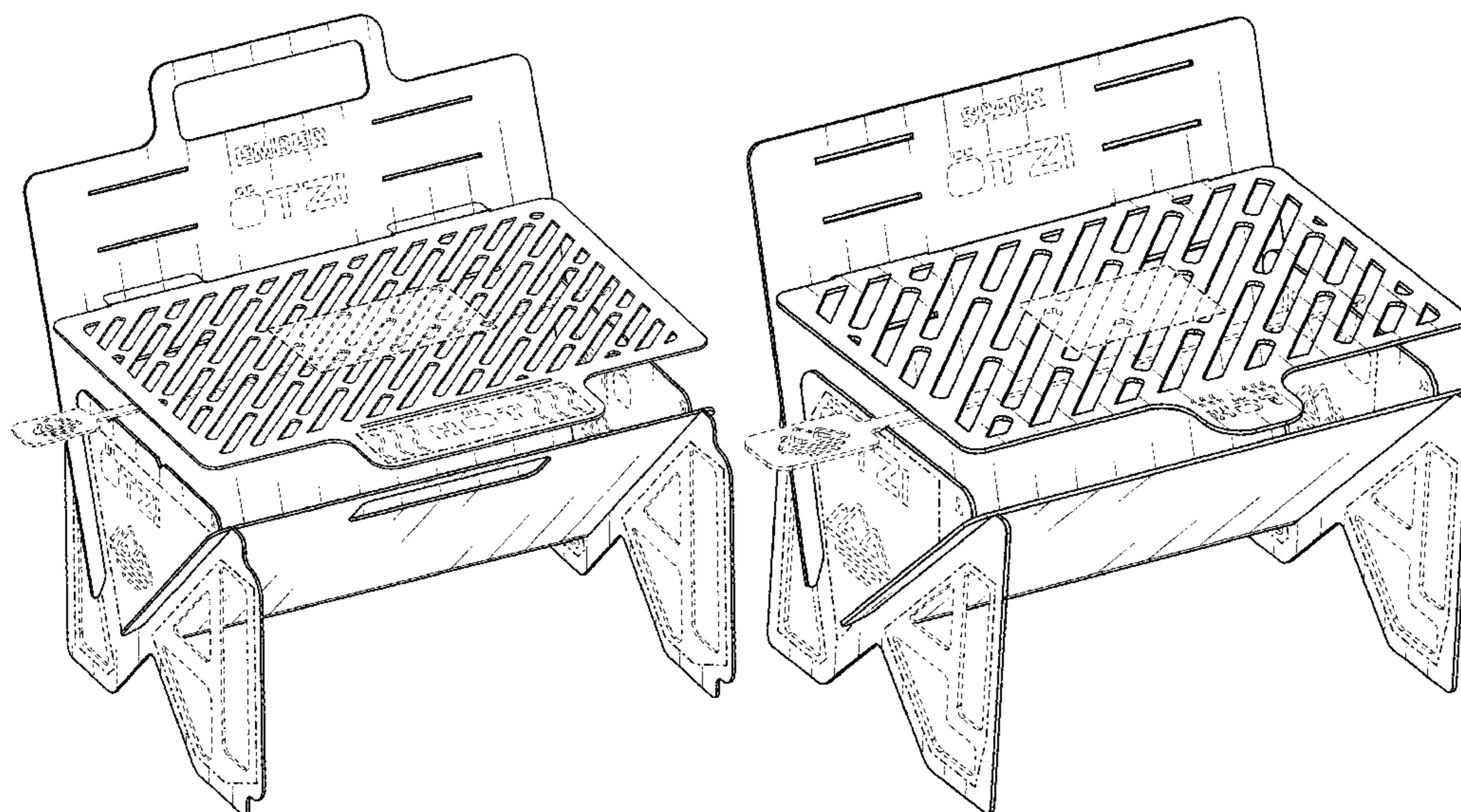
(57) **CLAIM**

The ornamental design for a collapsible grill, as shown and described.

DESCRIPTION

FIG. 1 is a perspective view of a collapsible grill, showing a first embodiment of my new design;
FIG. 2 is a front elevational view of FIG. 1;
FIG. 3 is a rear elevational view of FIG. 1;
FIG. 4 is a left-side elevational view of FIG. 1;
FIG. 5 is a right-side elevational view of FIG. 1;
FIG. 6 is a top plan view of FIG. 1;
FIG. 7 is a bottom plan view of FIG. 1;
FIG. 8 is an exploded perspective view thereof;
FIG. 9 is an exploded front elevational view of FIG. 8;
FIG. 10 is an exploded rear elevational view of FIG. 8;
FIG. 11 is an exploded left-side elevational view of FIG. 8;
FIG. 12 is an exploded right-side elevational view of FIG. 8;
FIG. 13 is an exploded top plan view of FIG. 8, the bottom plan view being a mirror image thereof;
FIG. 14 is a perspective view of a second embodiment thereof;
FIG. 15 is a front elevational view of FIG. 14;
FIG. 16 is a rear elevational view of FIG. 14;
FIG. 17 is a left-side elevational view of FIG. 14;
FIG. 18 is a right-side elevational view of FIG. 14;
FIG. 19 is a top plan view of FIG. 14;
FIG. 20 is a bottom plan view of FIG. 14;
FIG. 21 is an exploded perspective view of FIG. 14;
FIG. 22 is an exploded front elevational view of FIG. 14;
FIG. 23 is an exploded rear elevational view of FIG. 14;
FIG. 24 is an exploded left-side elevational view of FIG. 14;
FIG. 25 is an exploded right-side elevational view of FIG. 14; and
FIG. 26 is an exploded top plan view of FIG. 14, the bottom plan view being a mirror image thereof.
The regular broken lines in the figures depict portions of the collapsible grill that form no part of the claimed design. The dot-dash broken lines represent a boundary of the claimed design.

1 Claim, 26 Drawing Sheets



(58) **Field of Classification Search**
 CPC A47J 37/07; A47J 37/0704; A47J 37/0745;
 A47J 37/0763; A47J 2037/0777; A47J
 33/00
 See application file for complete search history.

(56) **References Cited**

U.S. PATENT DOCUMENTS

D138,897	S	9/1944	Eggleston	
2,469,885	A	5/1949	Molla	
2,559,243	A	7/1951	Brown	
D179,468	S	1/1957	Berliner	
D185,516	S	6/1959	smith	
D185,517	S	6/1959	smith	
D196,019	S	8/1963	Mayer	
D220,150	S	3/1971	Roestenburg	
D229,275	S	11/1973	Delahoussaye	
4,140,099	A	* 2/1979	Newport A47J 37/0763 126/43
D270,421	S	* 9/1983	Whelan D7/338
D270,988	S	10/1983	Anderson	
D277,540	S	2/1985	Thomas	
D286,256	S	* 10/1986	Jung D7/334
D291,399	S	8/1987	Chan	
D298,203	S	10/1988	Rock	
D301,106	S	5/1989	Oliphant	
D356,005	S	3/1995	Goble	
D362,585	S	9/1995	Thompson	
D364,773	S	12/1995	Witte	
D381,552	S	* 7/1997	Pizzey D7/332
D427,839	S	7/2000	Toyama	
D442,819	S	5/2001	Masters	
D443,464	S	6/2001	Davis	
D460,893	S	7/2002	Rowe	
D461,360	S	8/2002	Bossler	
D468,149	S	1/2003	Surles	
D476,403	S	6/2003	Goodrich	
D514,871	S	2/2006	May	
D546,114	S	7/2007	Reiner	
D563,151	S	3/2008	Henry	
D576,444	S	9/2008	Chung	
D580,209	S	11/2008	Chiang	
D612,190	S	* 3/2010	Tenney D7/332
D614,436	S	4/2010	Chung	
D618,038	S	6/2010	Davies	
D618,482	S	6/2010	Gaze	
D623,001	S	9/2010	Lovay	
D624,350	S	9/2010	Wu	
D625,544	S	10/2010	Radicke	
D636,216	S	4/2011	Marsh	
D641,582	S	7/2011	Nicolosi	
D693,621	S	11/2013	Weyandt	
D693,623	S	11/2013	Merkurieff	

D710,148	S	8/2014	Mainville
D727,676	S	4/2015	Barford
D734,974	S	7/2015	Barford
D746,096	S	12/2015	Tan
D769,666	S	10/2016	Livne
D784,064	S	4/2017	Hebert, Jr.
9,657,950	B2	5/2017	Boucher
9,702,563	B2	7/2017	Probst
D793,792	S	8/2017	Yarbrough
D806,462	S	1/2018	Zhang
D807,104	S	1/2018	Taylor
D809,847	S	2/2018	Liu
D812,957	S	3/2018	McGuinness
D814,842	S	4/2018	Hagstrom
D819,387	S	6/2018	Stein
D828,072	S	9/2018	Hagstrom
10,132,503	B2	11/2018	Probst
10,327,582	B2	6/2019	Artig
10,376,099	B2	8/2019	Green
D865,929	S	11/2019	Hughes
D866,737	S	11/2019	Lyons, Jr.
D873,983	S	1/2020	Drummond
D878,137	S	3/2020	Fluksman
D886,508	S	6/2020	Soubra
D895,344	S	9/2020	Tischer
D896,358	S	9/2020	Xu
D908,414	S	1/2021	Sun
D911,092	S	2/2021	Zhang
D911,503	S	2/2021	Hillenbrand
D914,432	S	3/2021	Bennett
D915,122	S	4/2021	Veatch, III
10,989,414	B2	4/2021	Poggi
2007/0006863	A1	1/2007	Barbarich
2013/0312737	A1	11/2013	Chung
2018/0010802	A1	1/2018	Probst
2018/0055280	A1	3/2018	Artig
2019/0254477	A1	8/2019	Skillman
2019/0350408	A1	11/2019	Budd
2021/0063017	A1	3/2021	Poggi
2021/0199301	A1	7/2021	Poggi

OTHER PUBLICATIONS

Flatpacker Portable Firepit with Bag, Feb. 15, 2019, Blue Ridge Overland Gear, <https://www.blueridgeoverlandgear.com/products/flatpacker-portable-firepit-w-bag> (Year: 2019).*

Watson's Leisure Center, The Ultimate Flat Pack Fire Pit, May 23, 2019, Youtube, <https://www.youtube.com/watch?v=xIWwVeOA7Gg> (Year: 2019).*

otzigeart.com, downloaded from the Internet address "https://www.otzigeart.com/" on Jul. 23, 2021.

extremefire.com, downloaded from the Internet address "https://www.extremefire.com/Traveller.html" on Jul. 22, 2021.

* cited by examiner

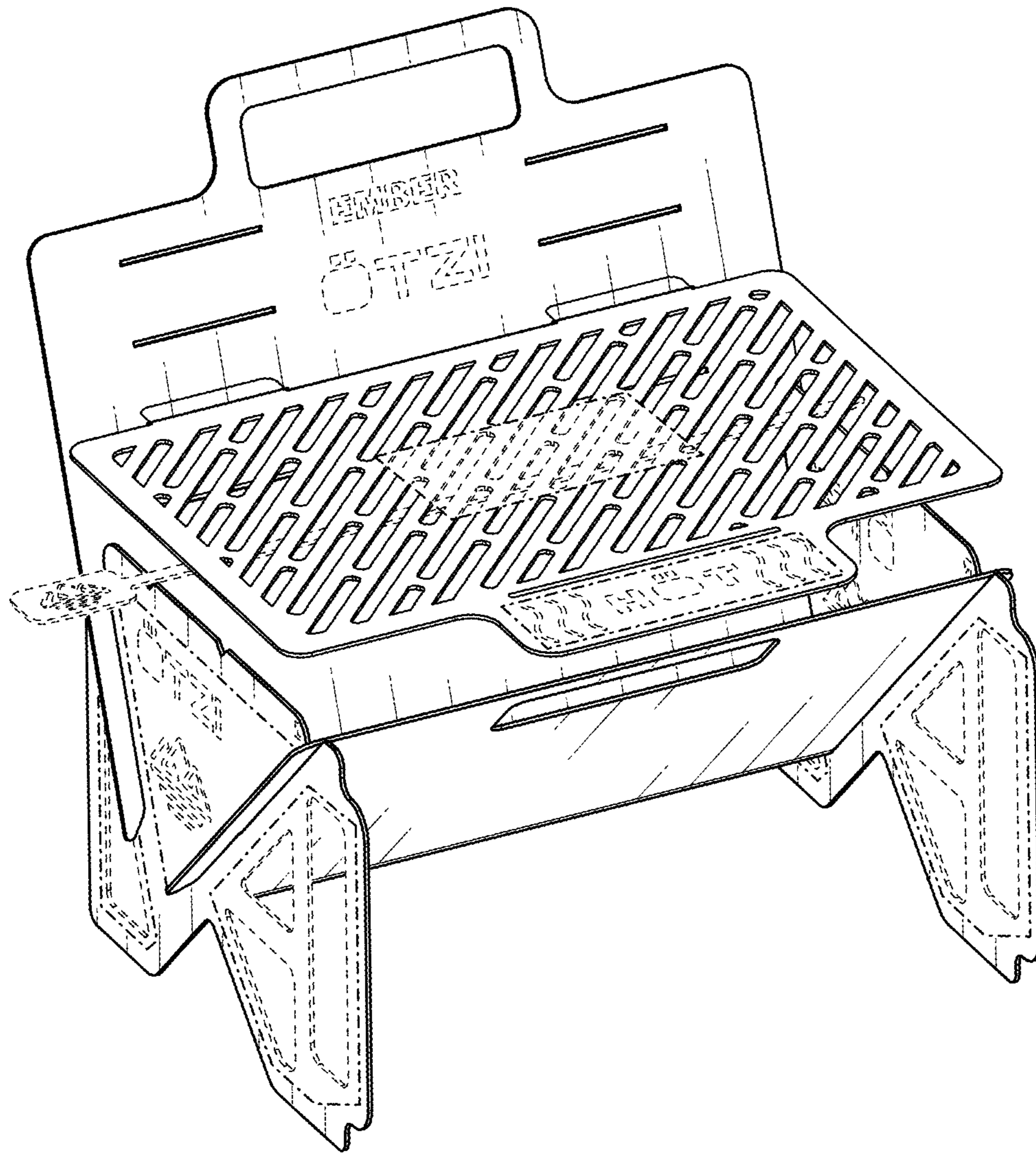


FIG. 1

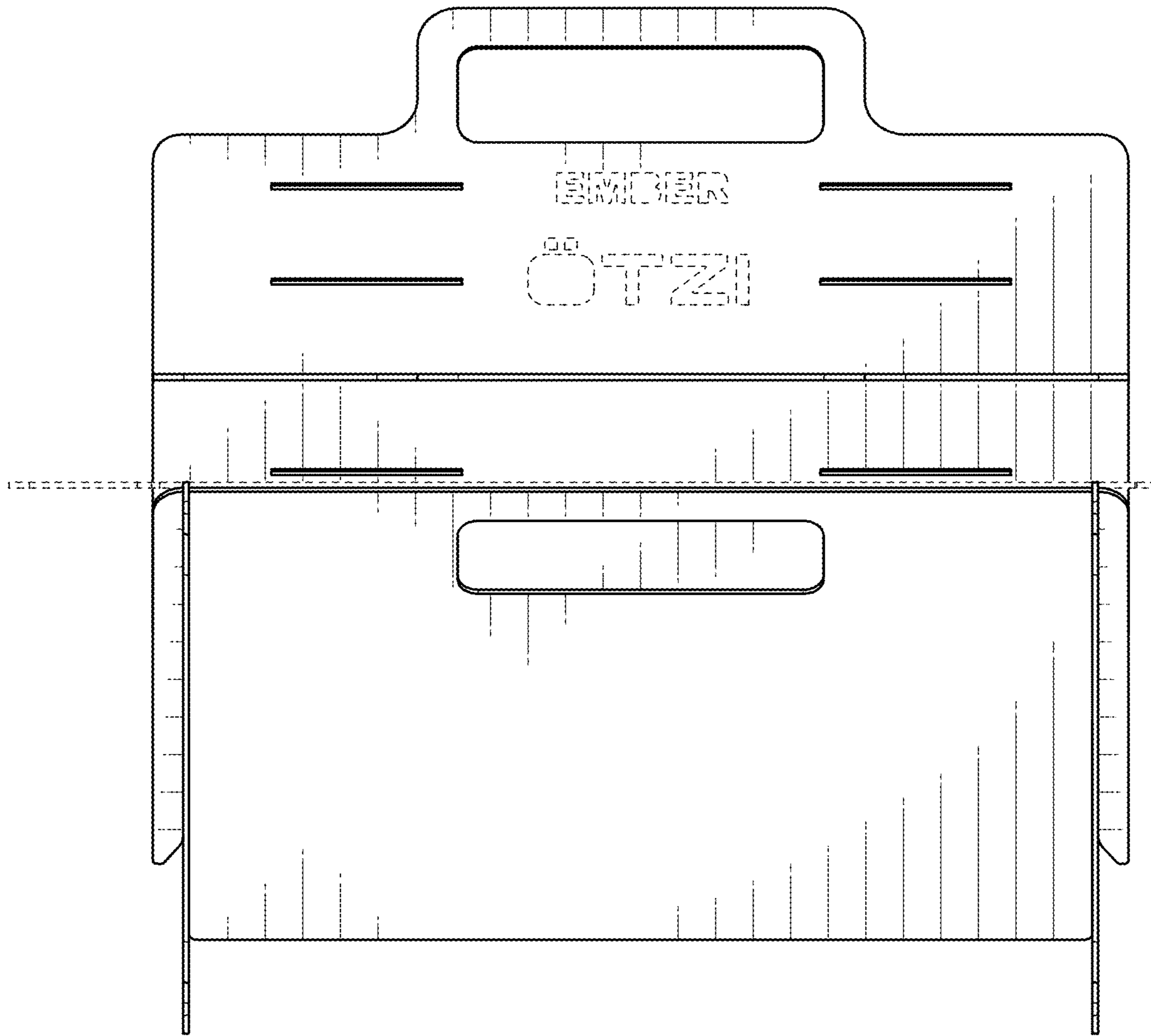


FIG. 2

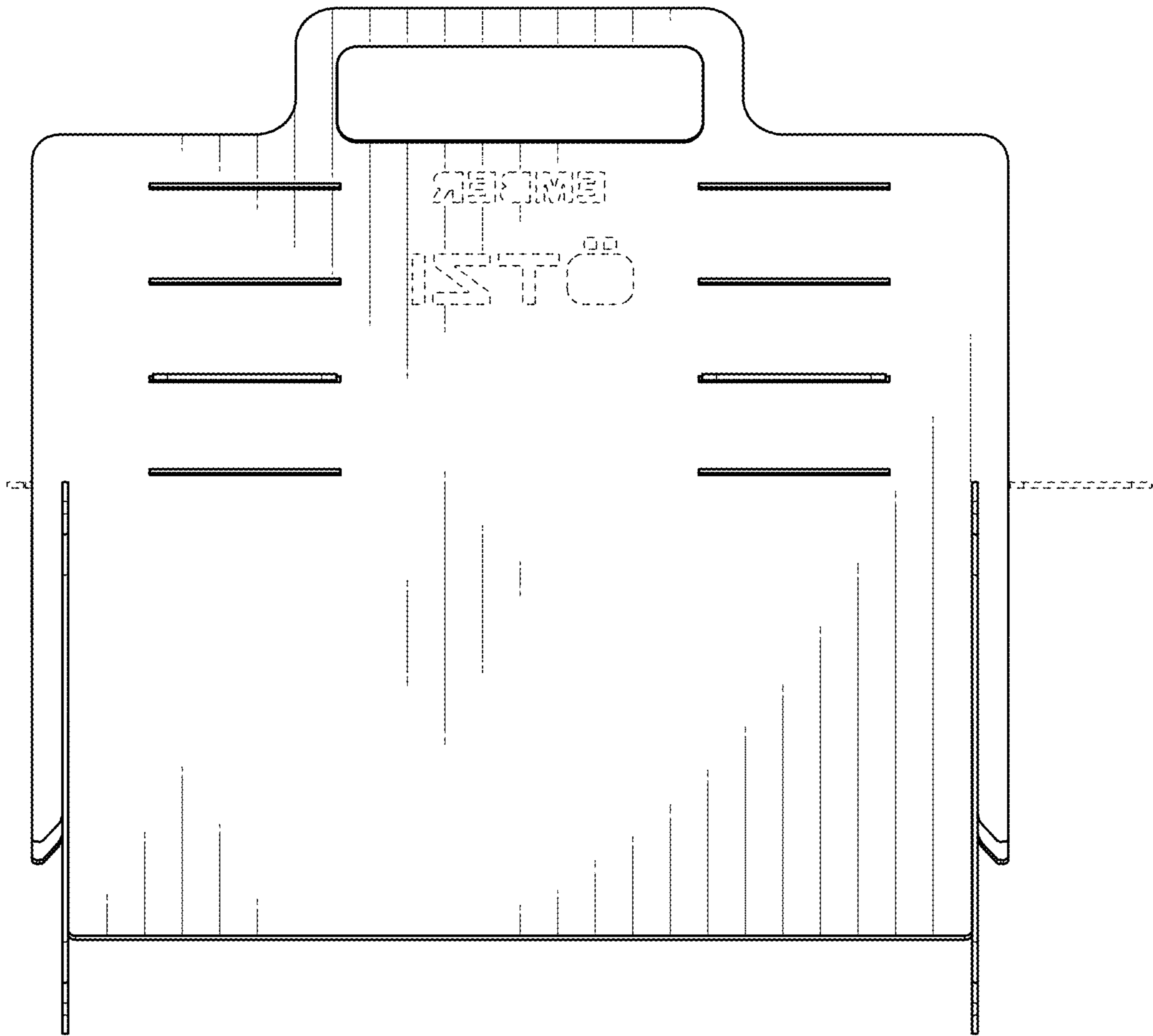


FIG. 3

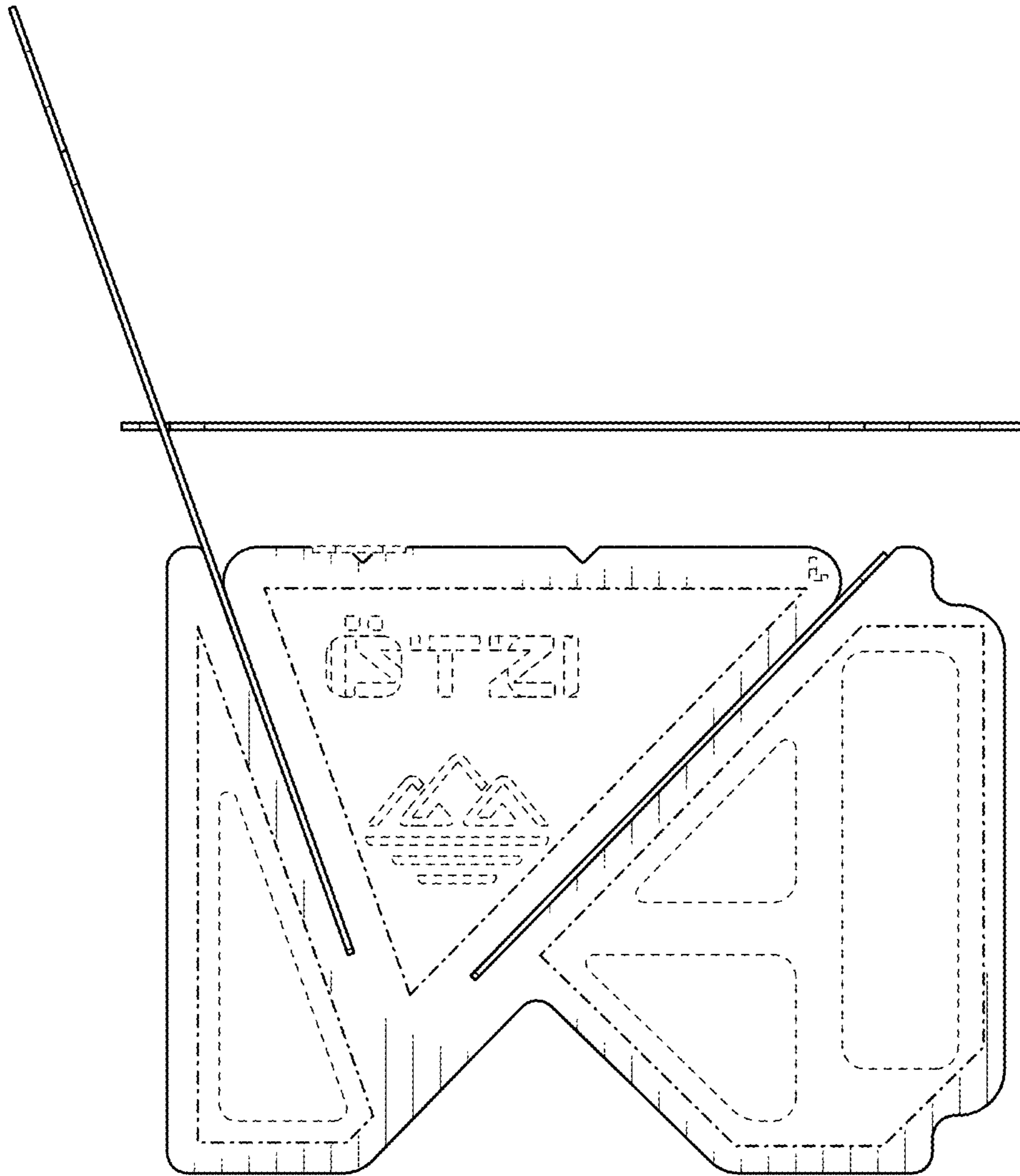


FIG. 4

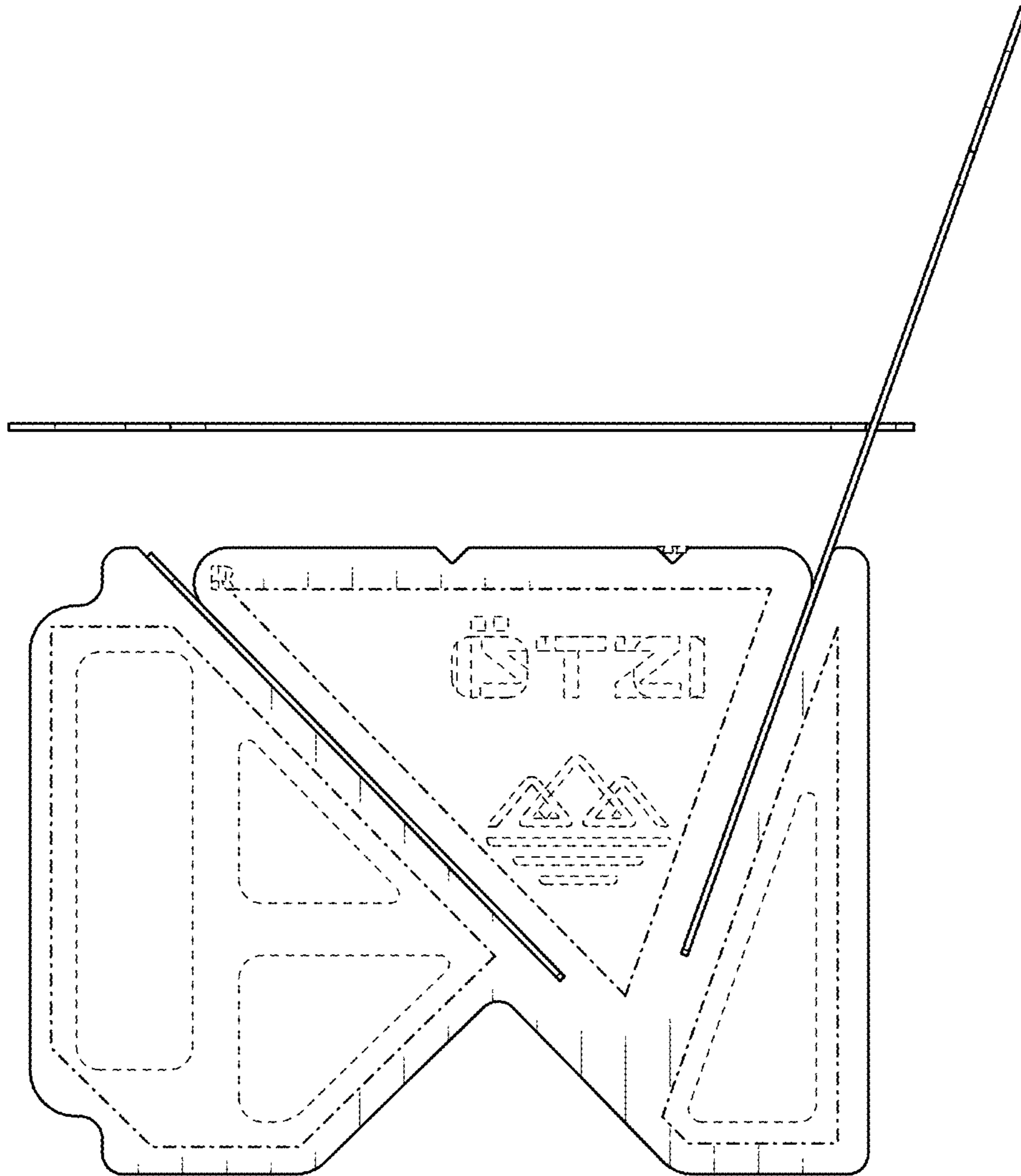


FIG. 5

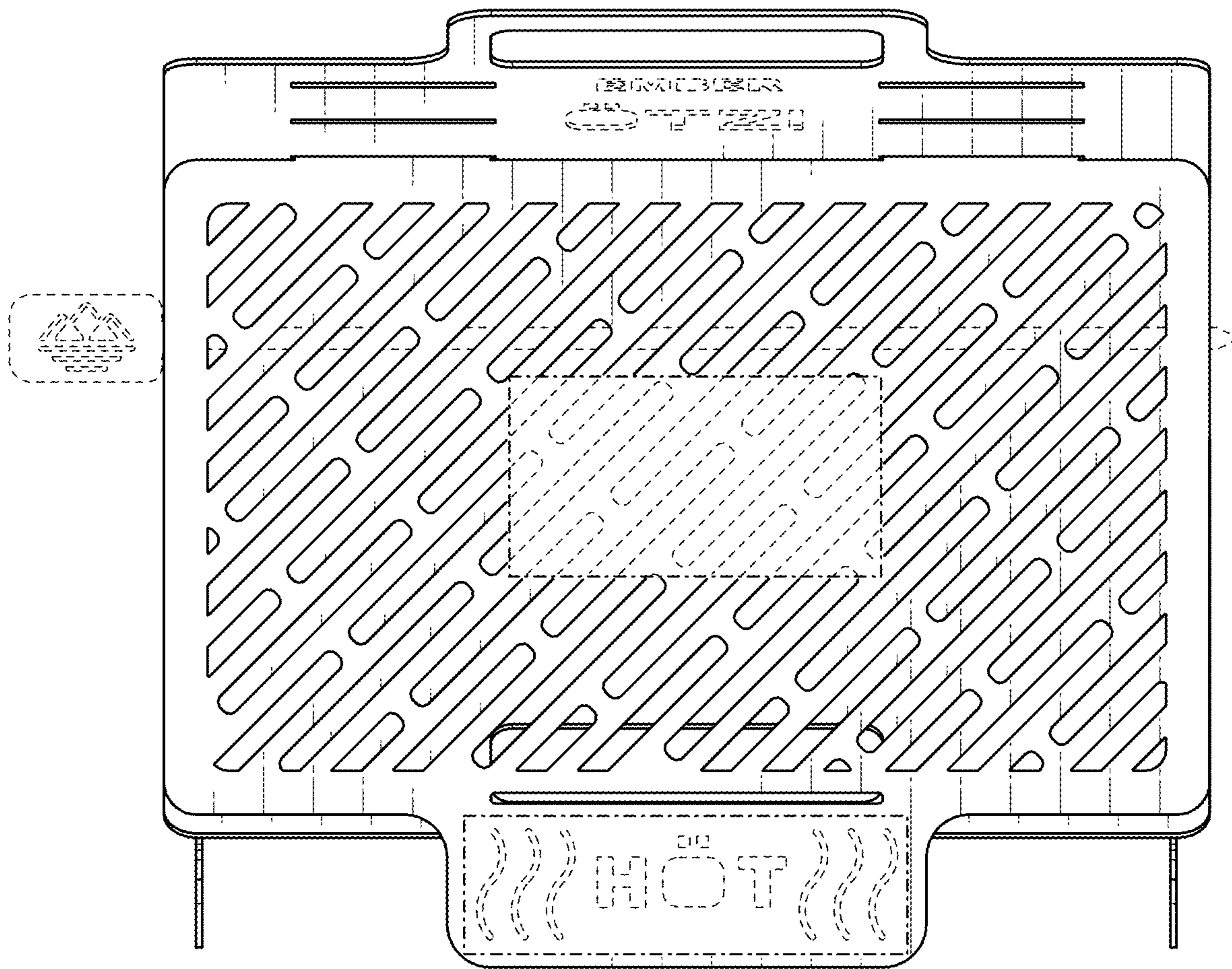


FIG. 6

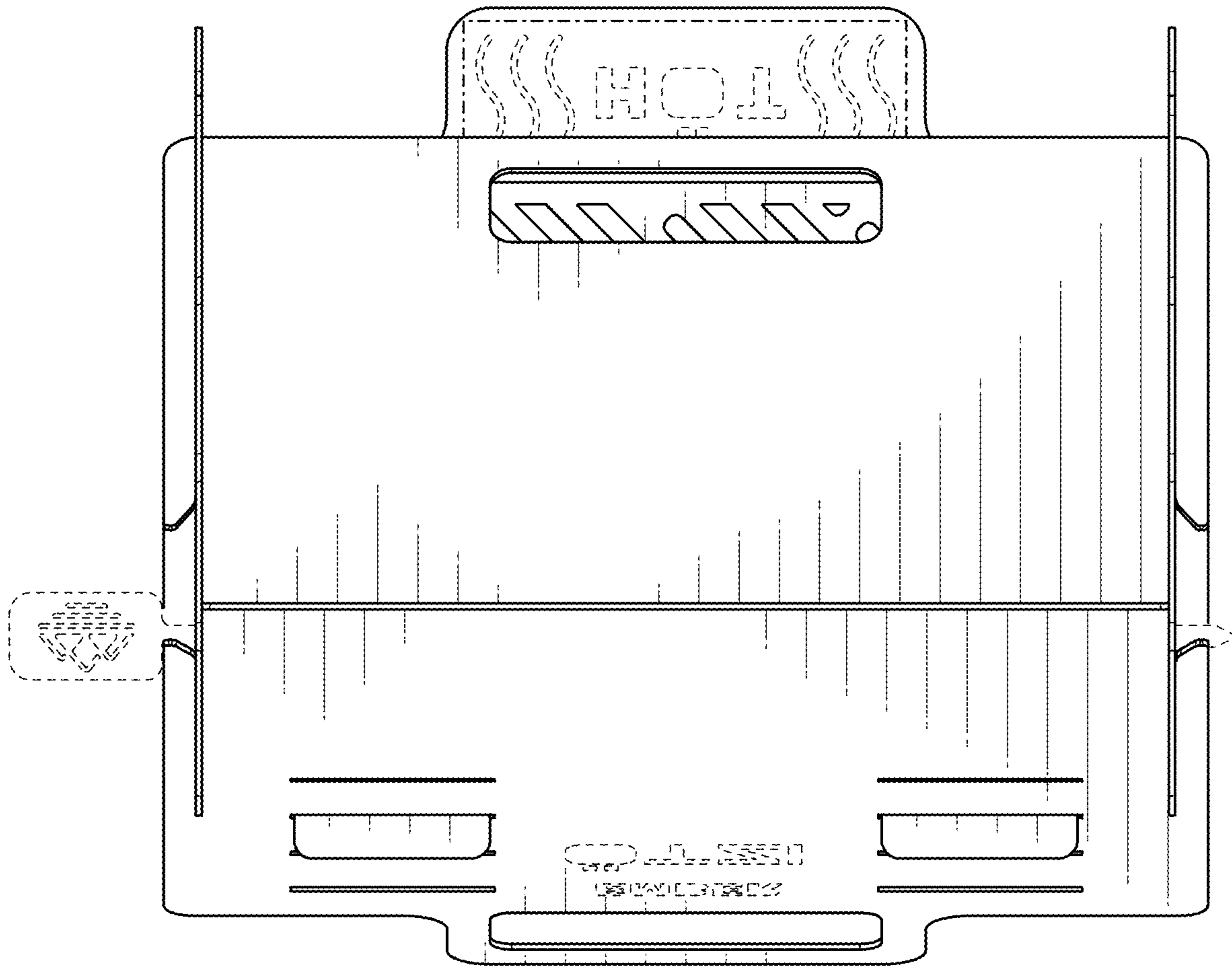


FIG. 7

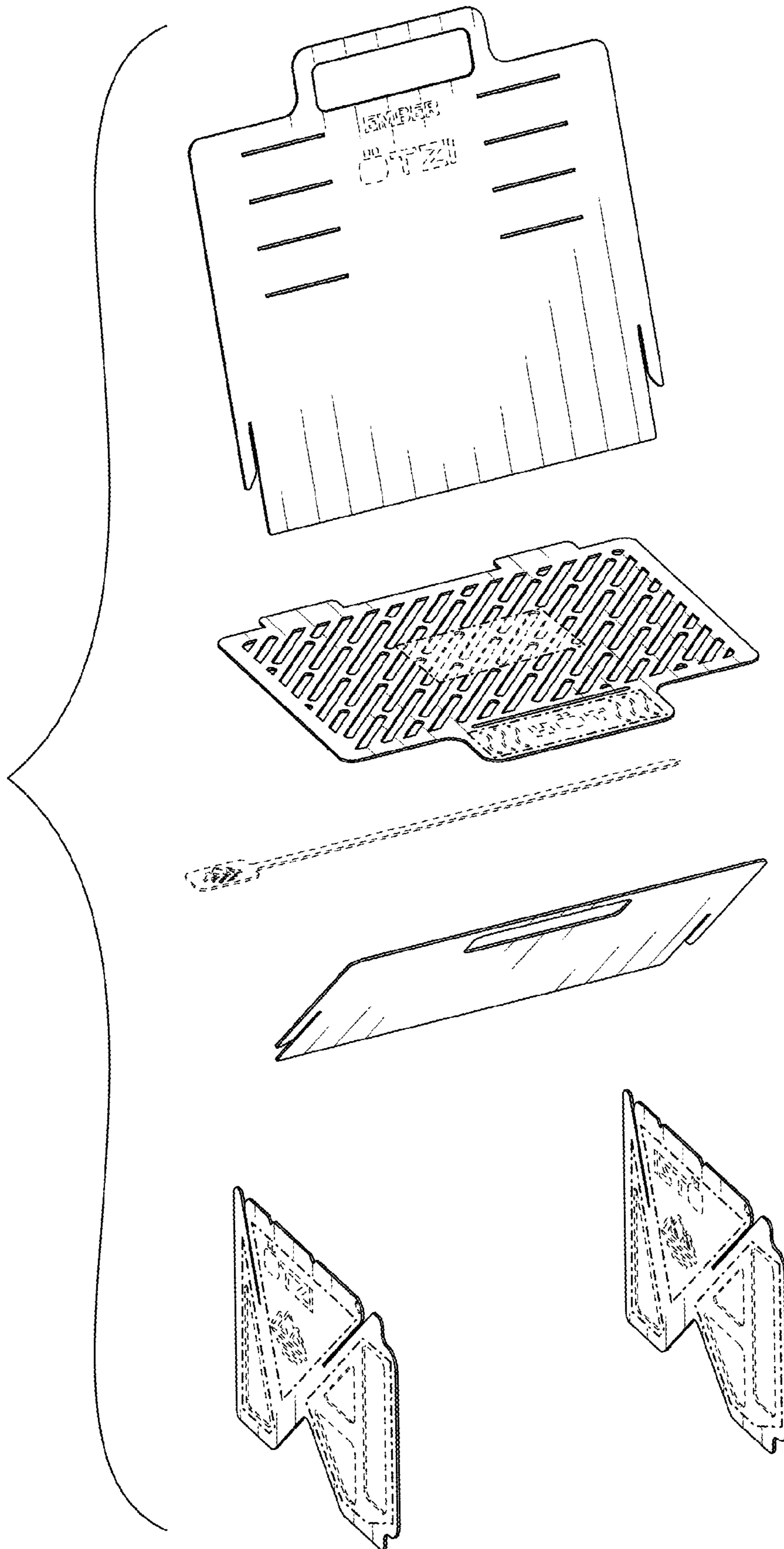


FIG. 8

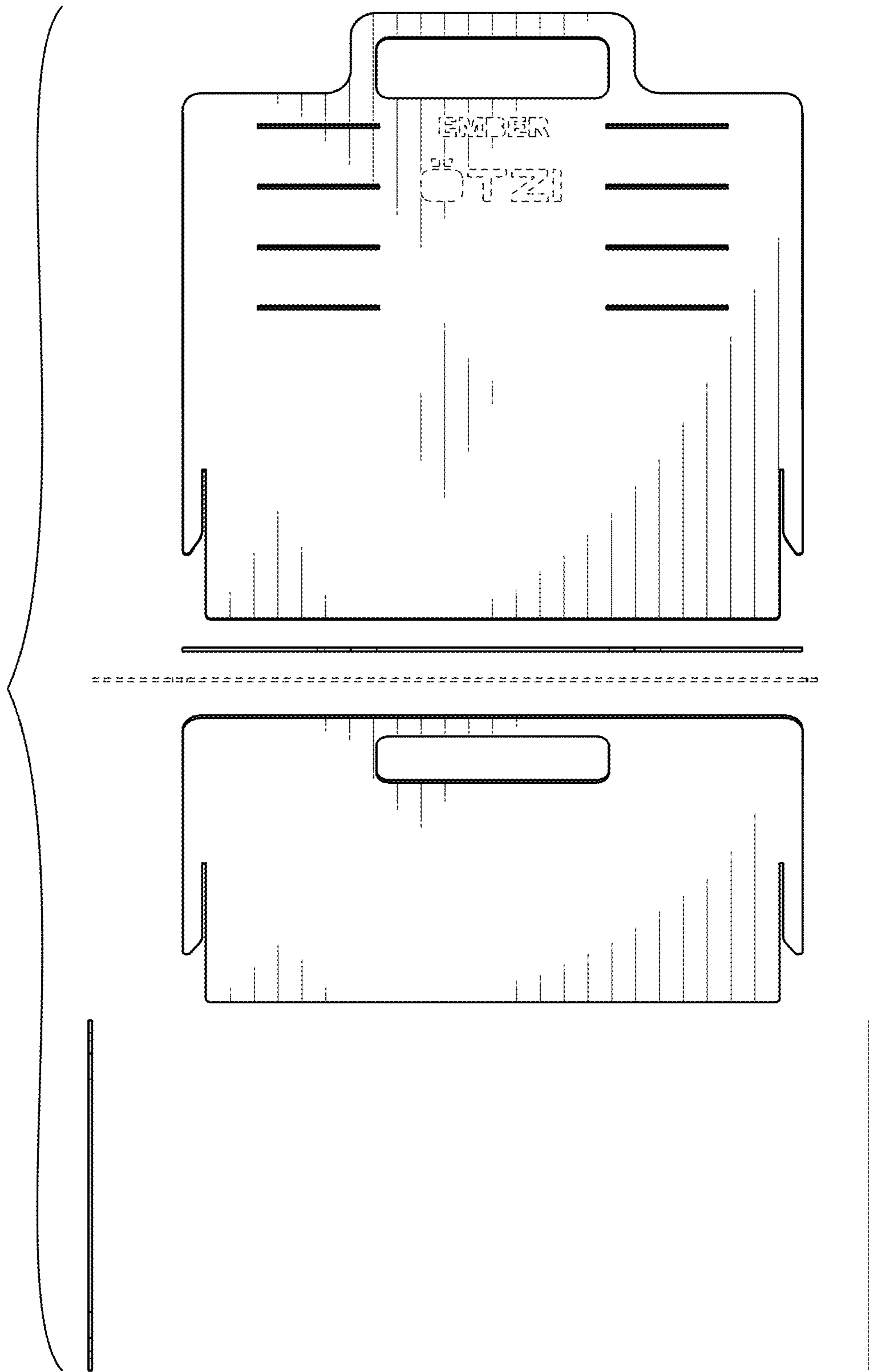


FIG. 9

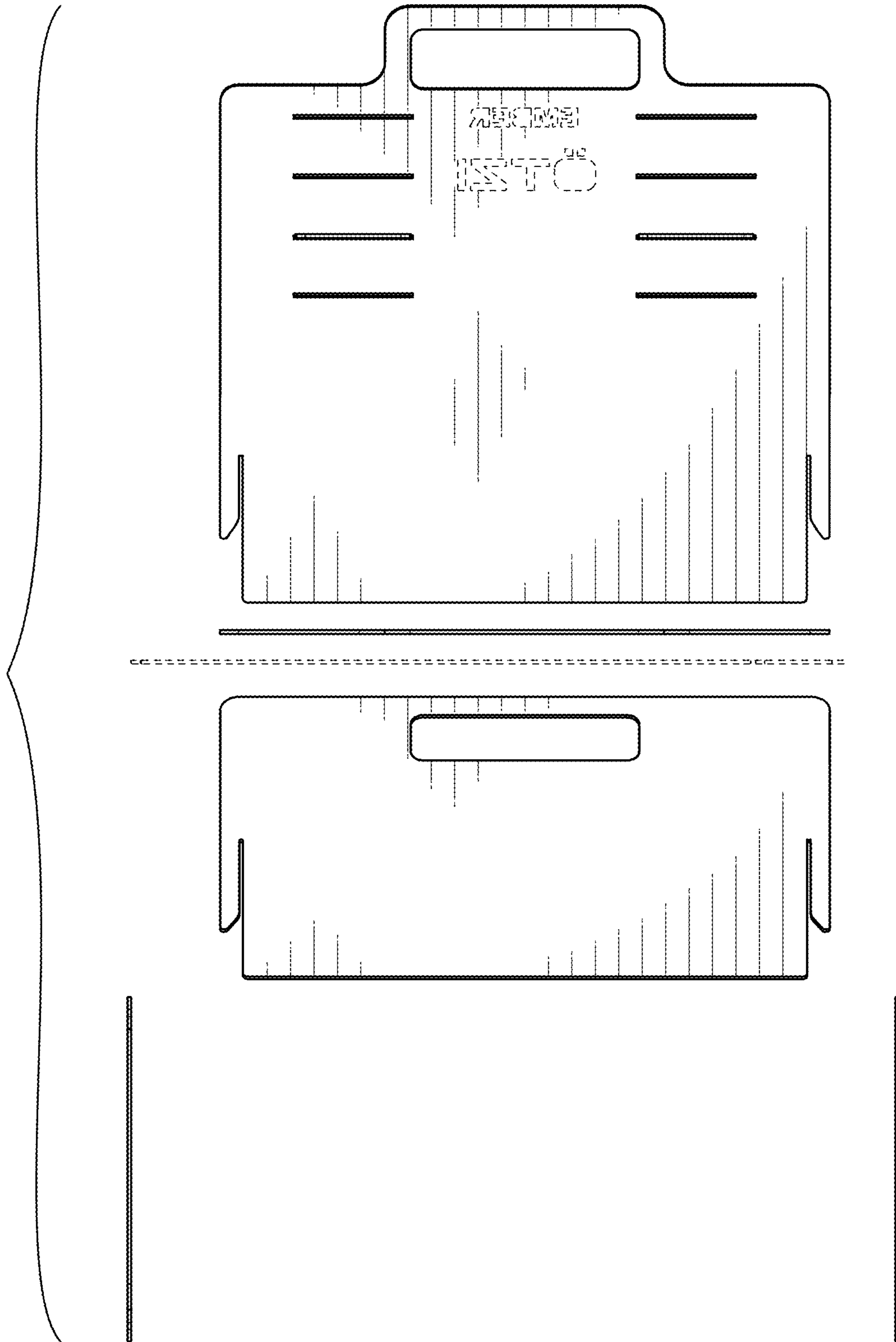


FIG. 10

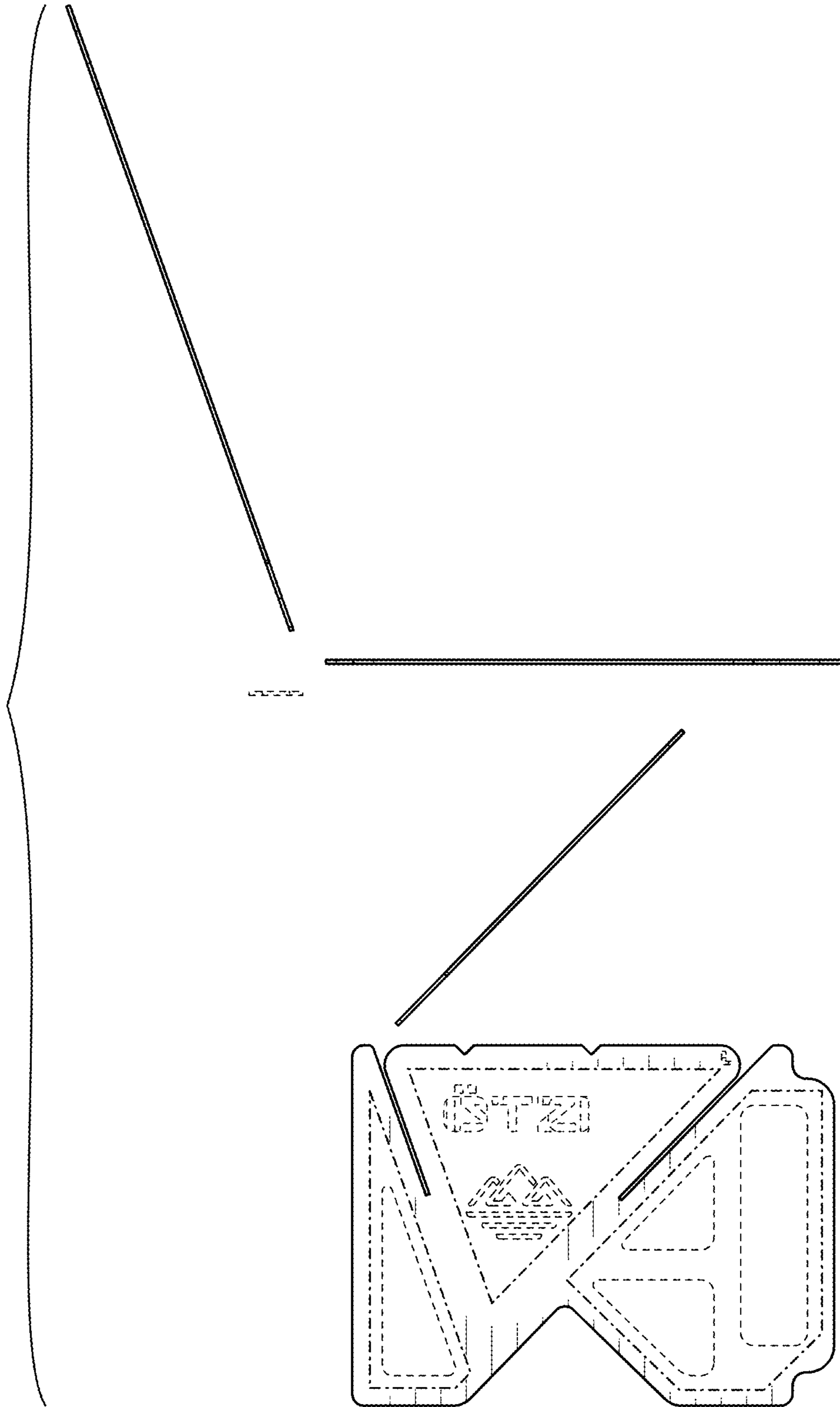


FIG. 11

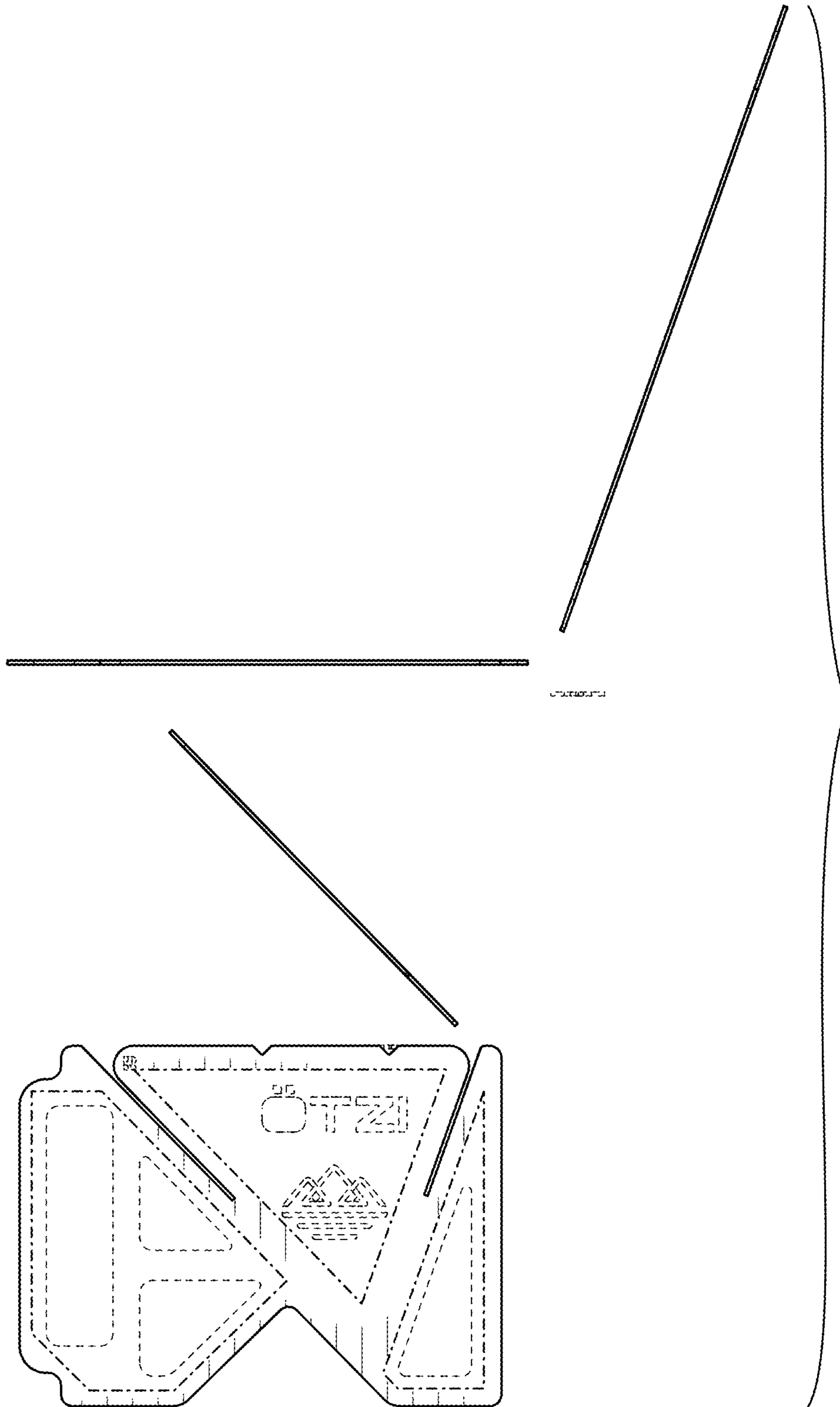


FIG. 12

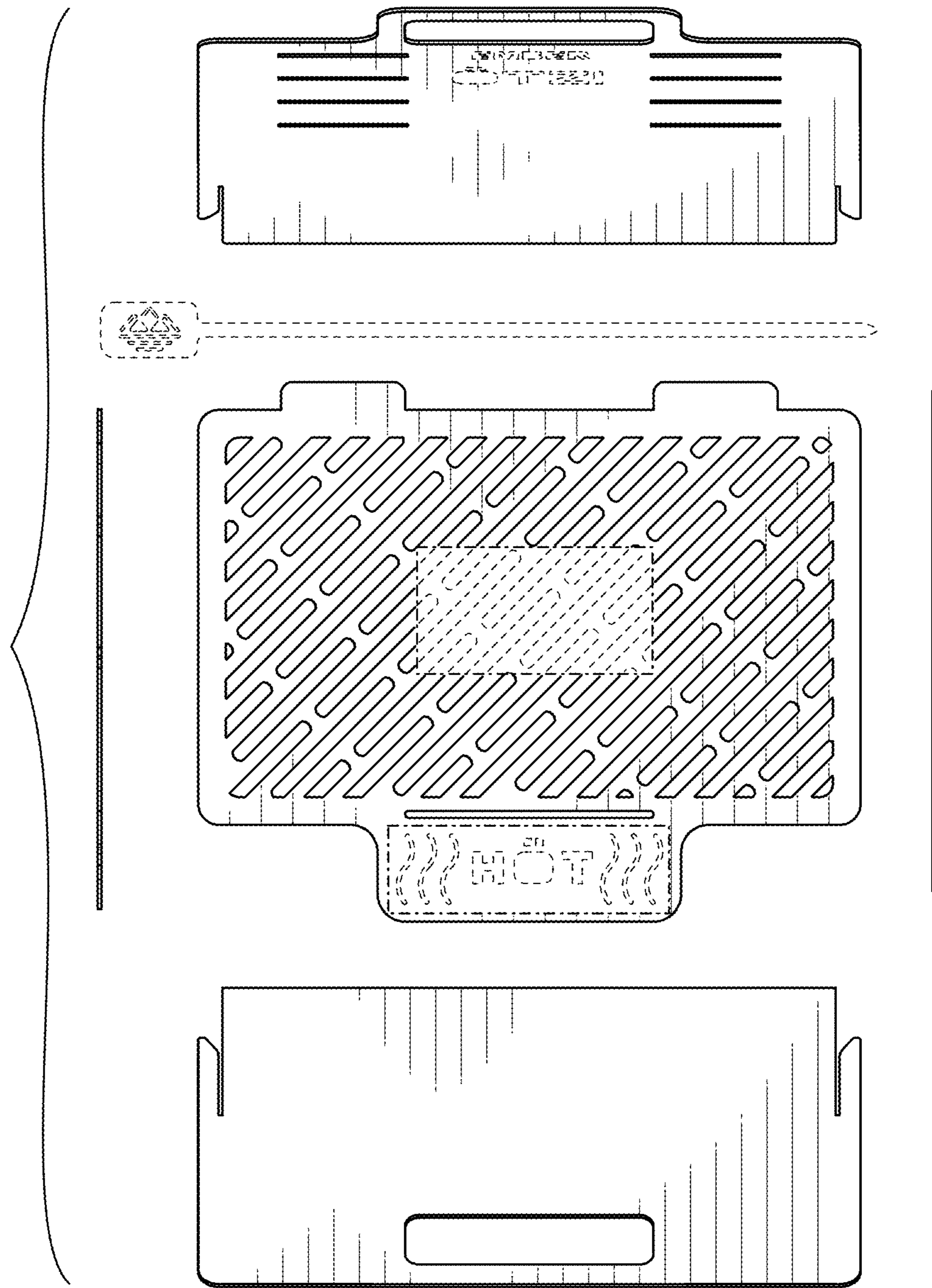


FIG. 13

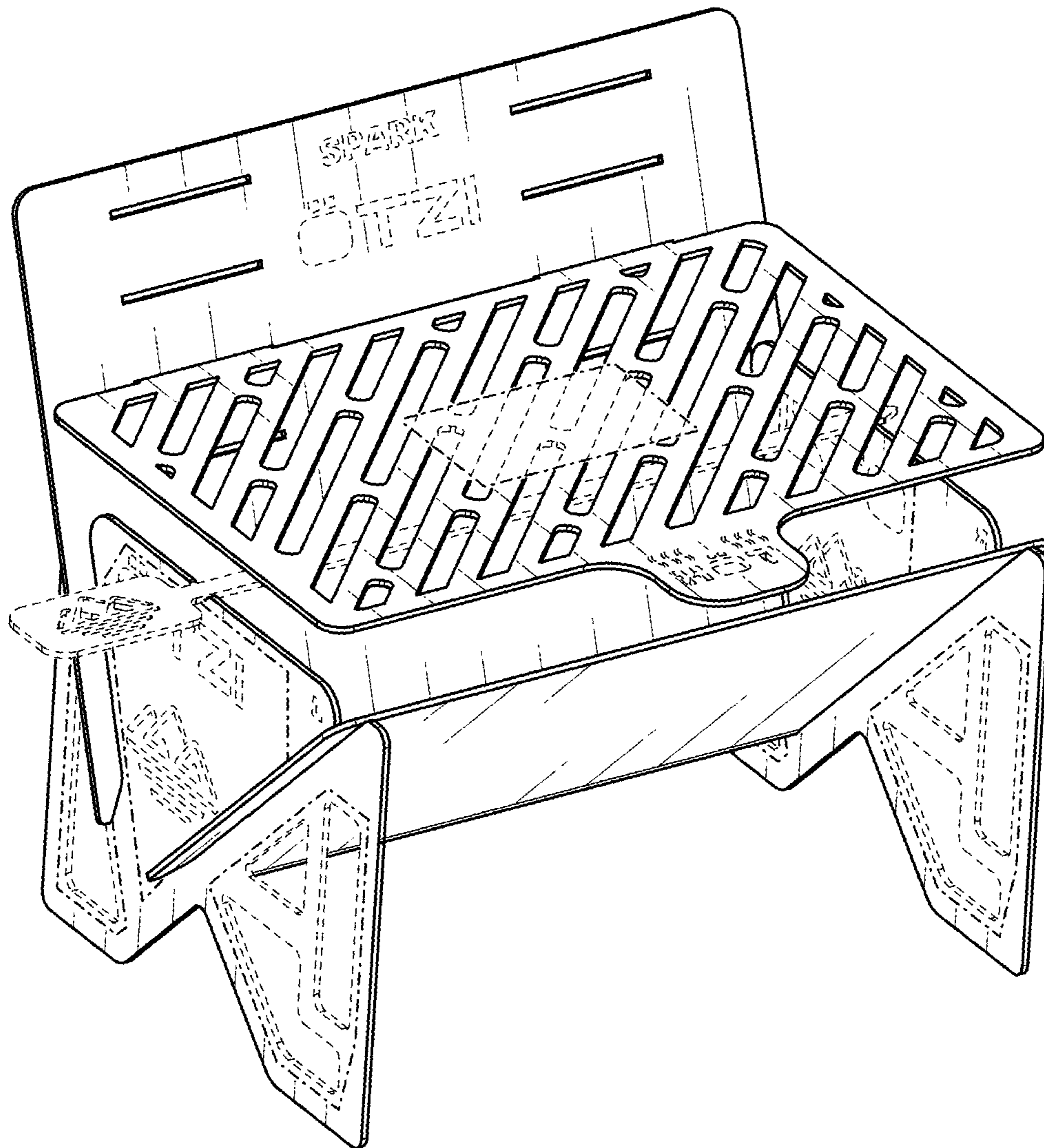


FIG. 14

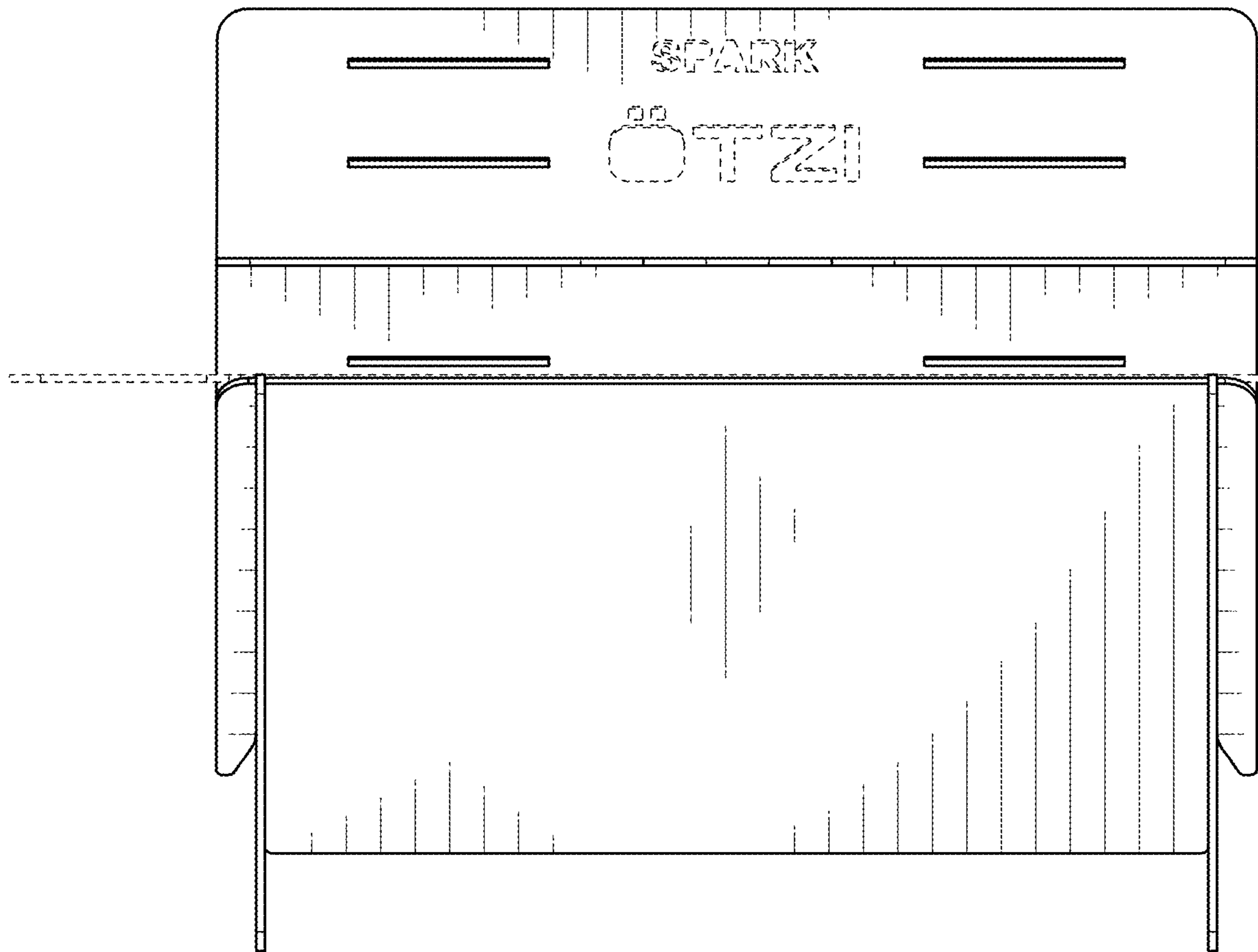


FIG. 15

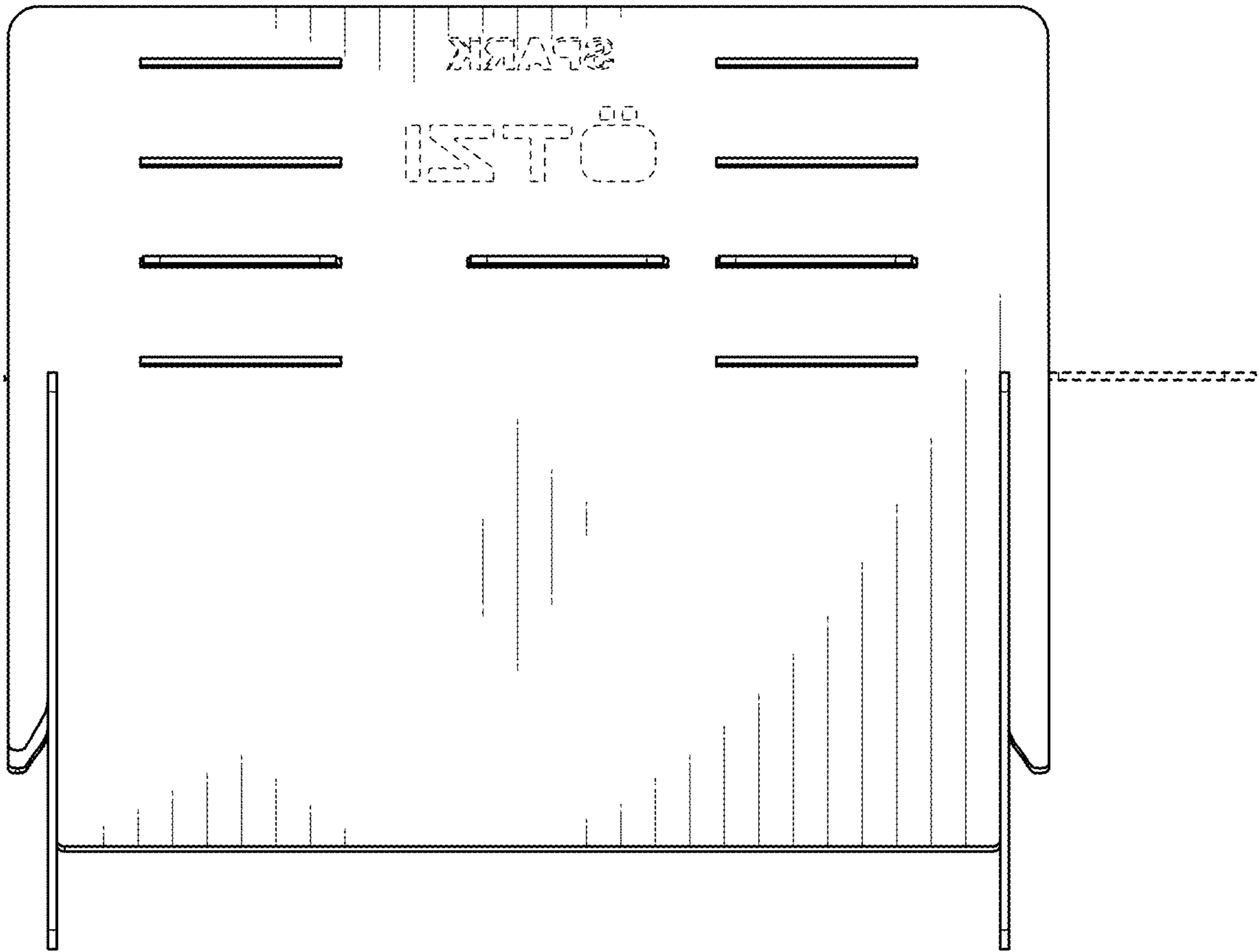


FIG. 16

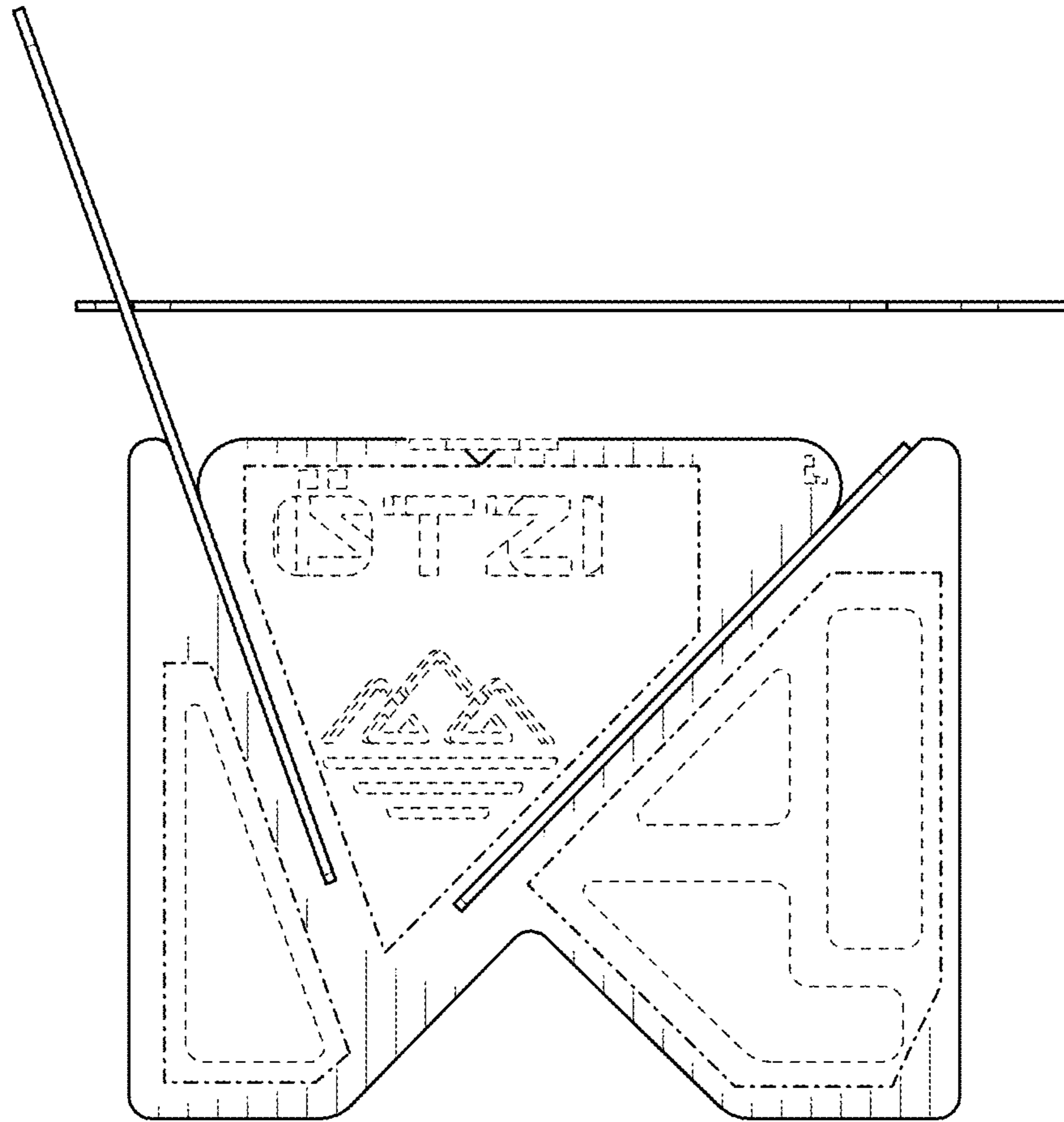


FIG. 17

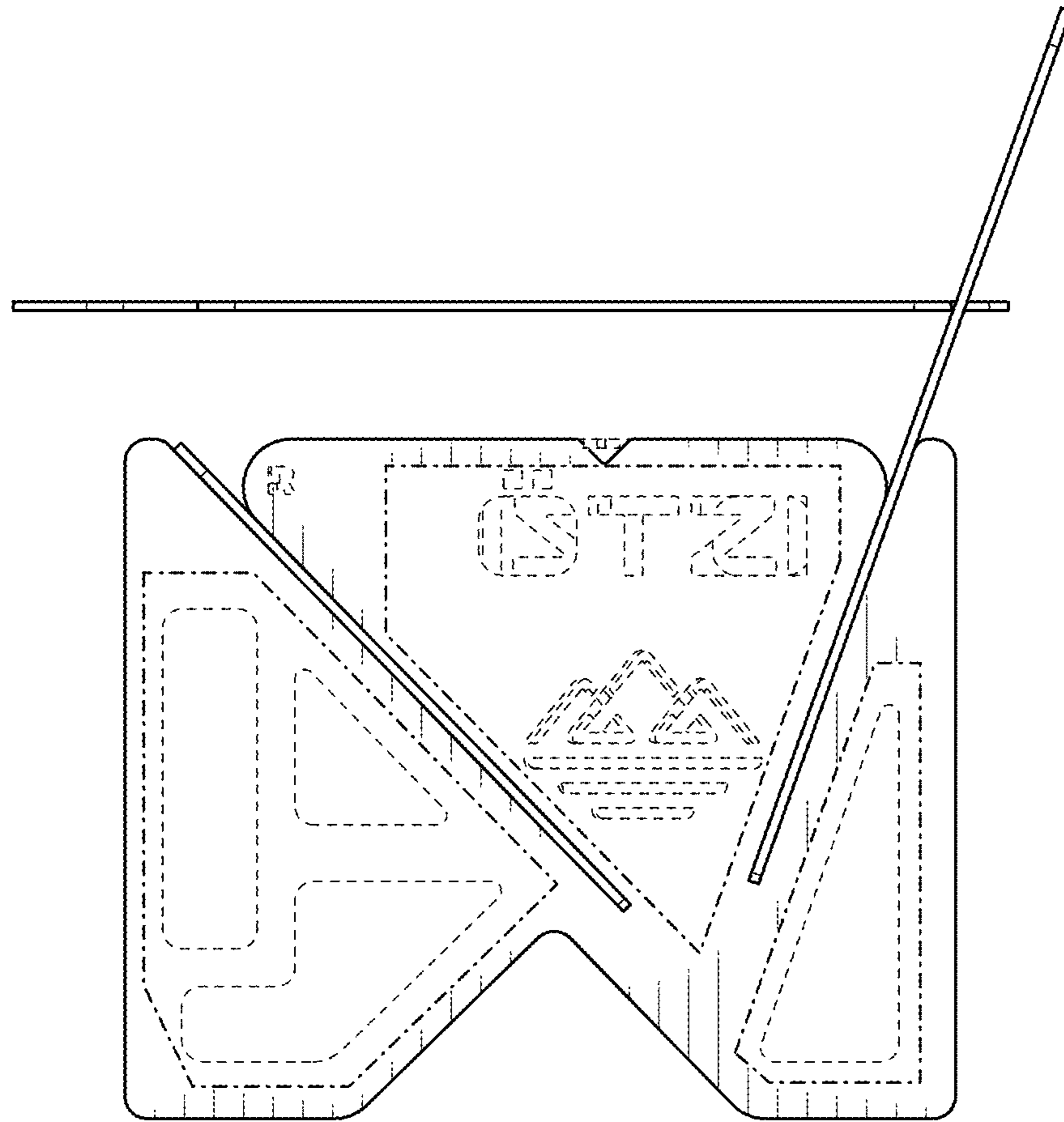


FIG. 18

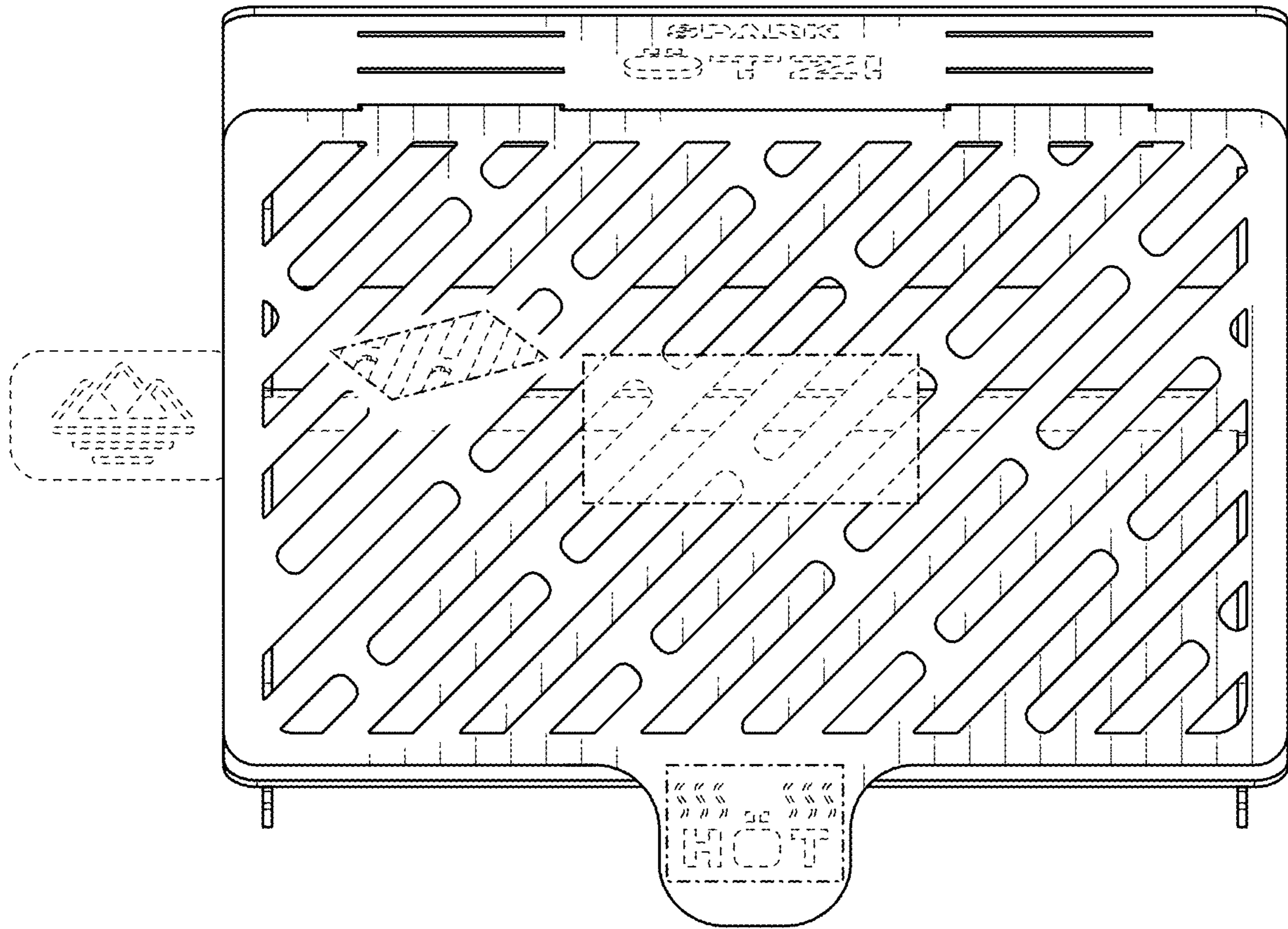


FIG. 19

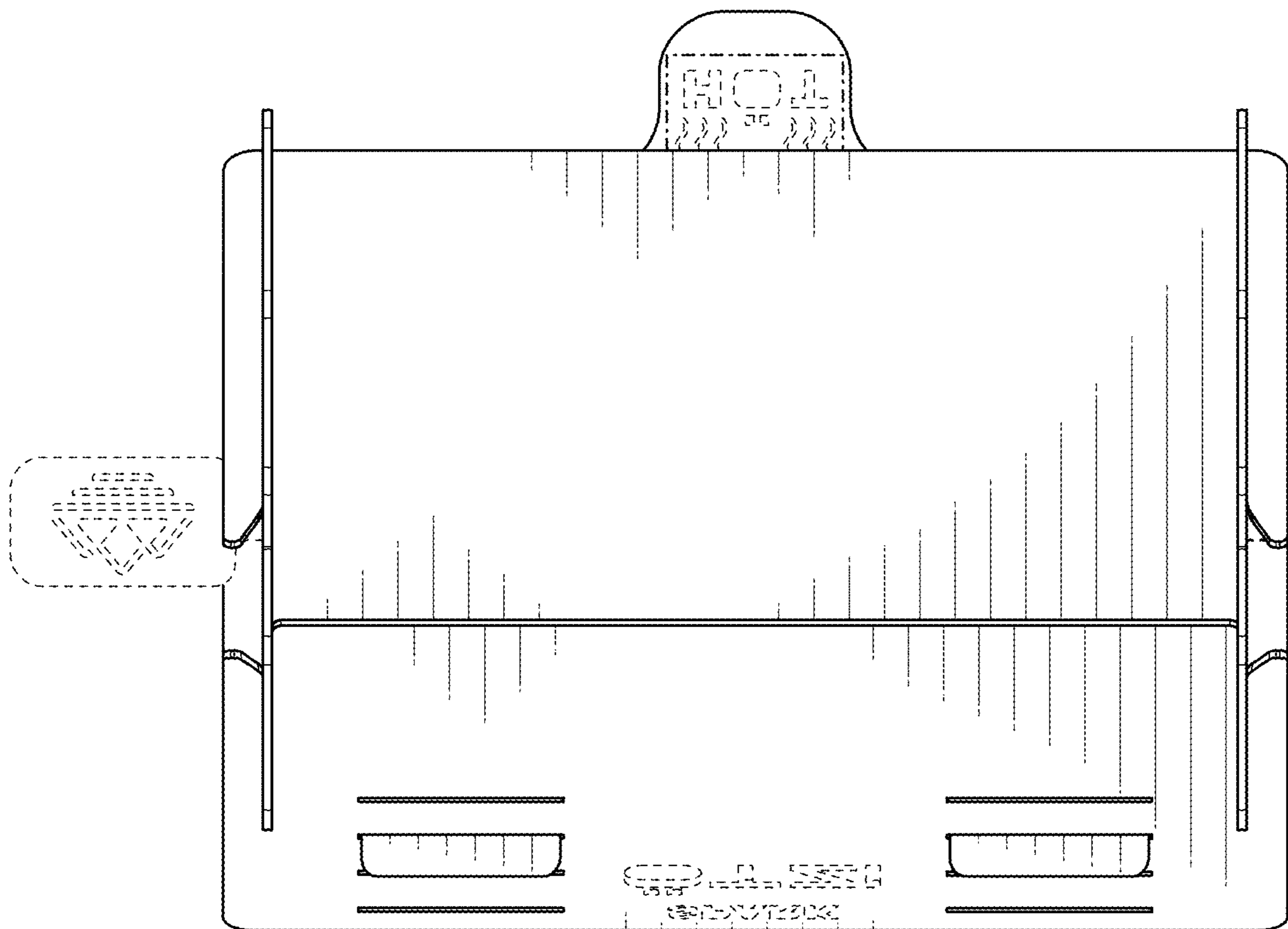


FIG. 20

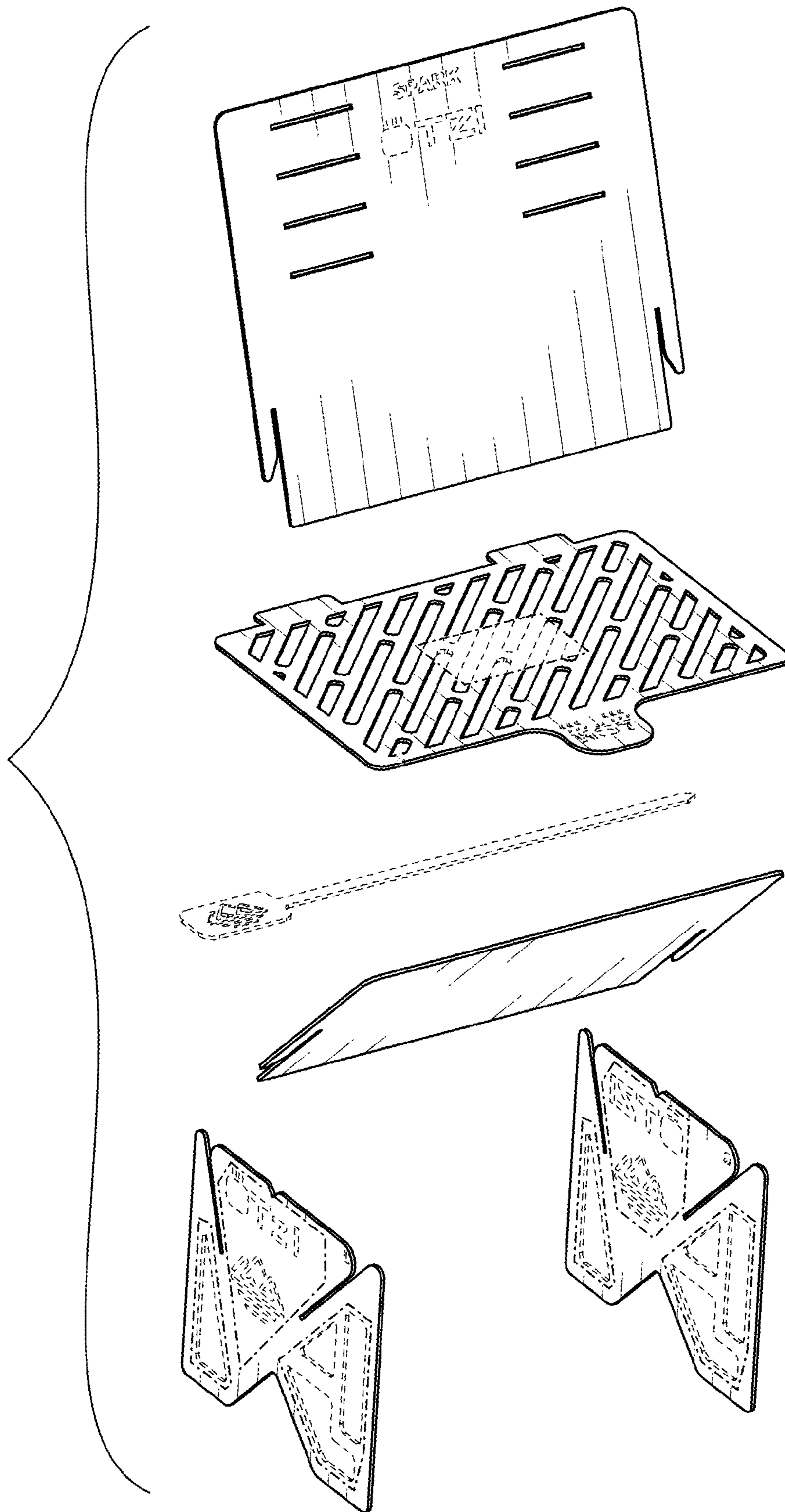


FIG. 21

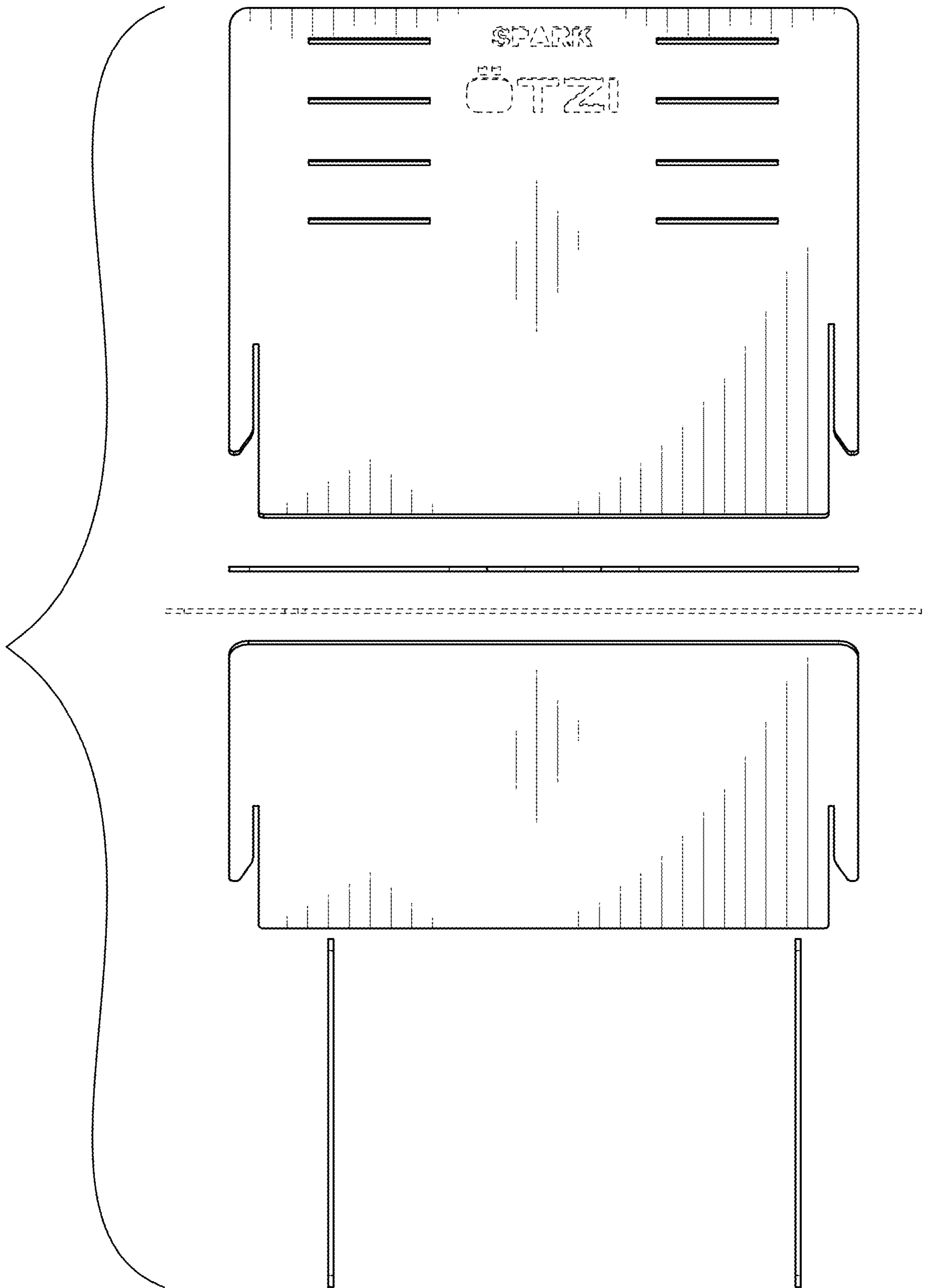


FIG. 22

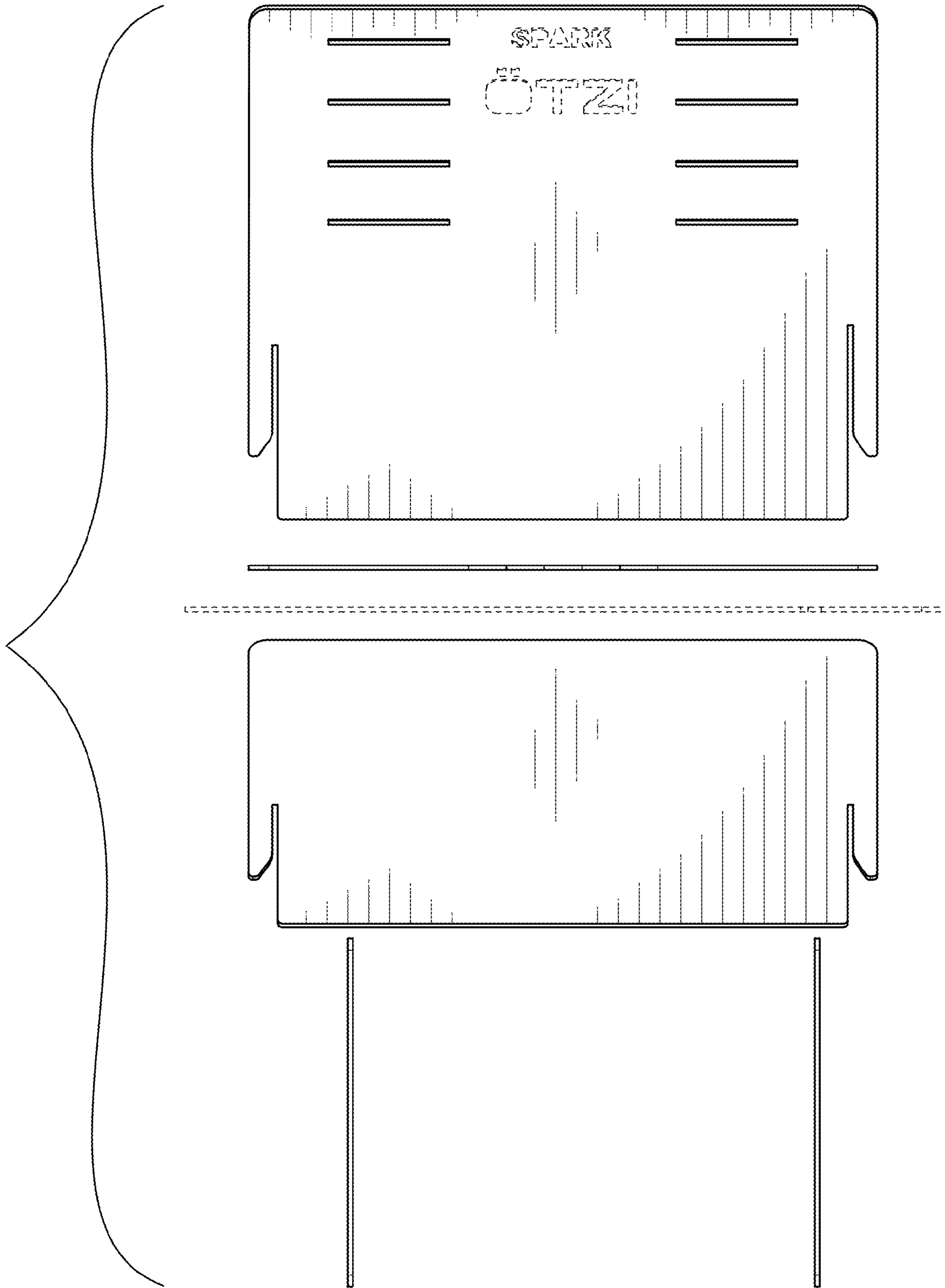


FIG. 23

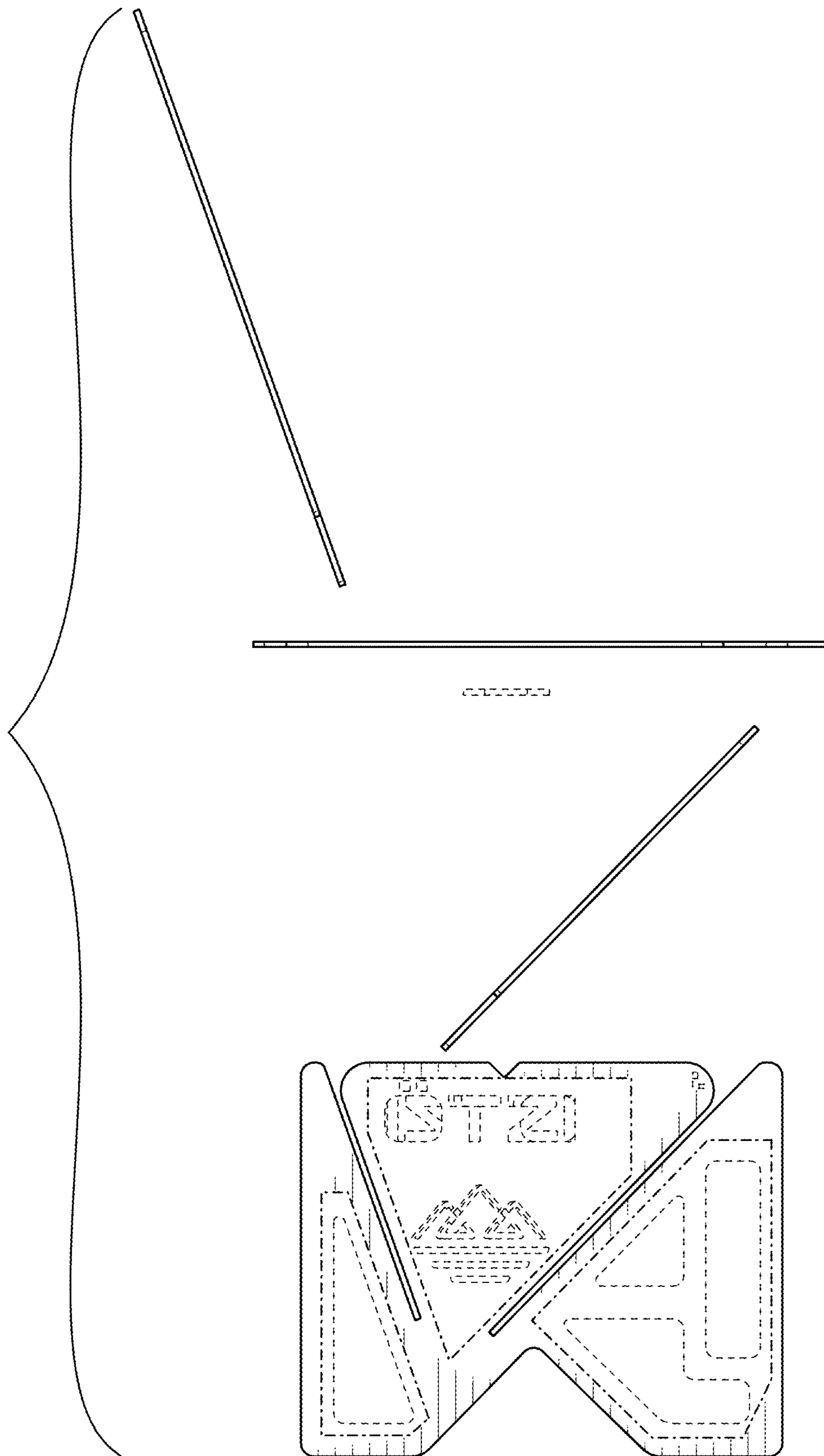


FIG. 24

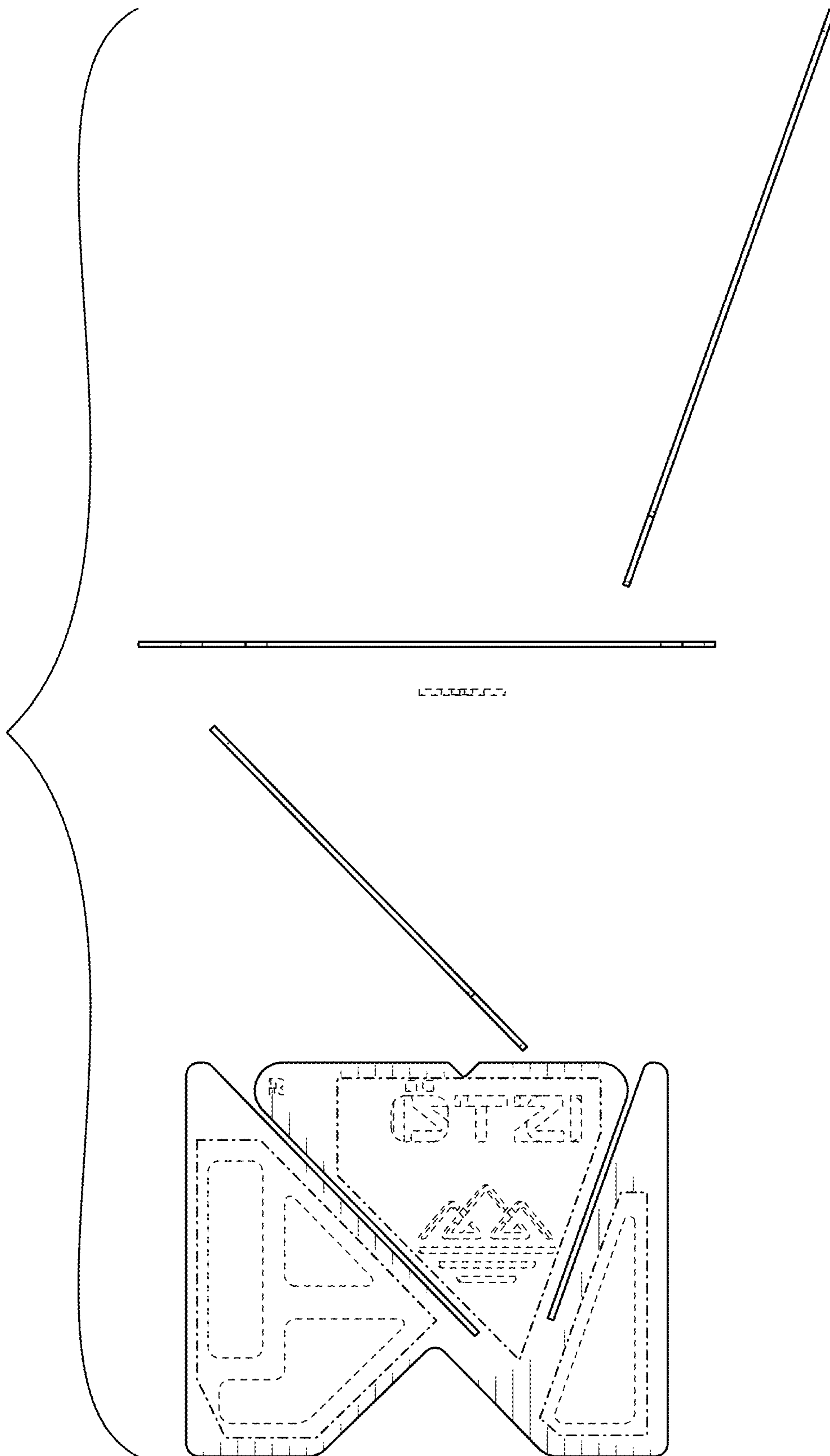


FIG. 25

