



US00D976047S

(12) **United States Design Patent**  
**Chen**

(10) **Patent No.:** **US D976,047 S**

(45) **Date of Patent:** **\*\* Jan. 24, 2023**

(54) **FILTER PITCHER**

(71) Applicant: **Han Chen**, Yulin (CN)

(72) Inventor: **Han Chen**, Yulin (CN)

(73) Assignee: **Han Chen**, Yulin (CN)

(\*\*) Term: **15 Years**

(21) Appl. No.: **29/853,854**

(22) Filed: **Sep. 20, 2022**

(30) **Foreign Application Priority Data**

Sep. 15, 2022 (CN) ..... 2022306079915

(51) **LOC (14) Cl.** ..... **07-01**

(52) **U.S. Cl.**  
USPC ..... **D7/319; D7/317**

(58) **Field of Classification Search**  
USPC ..... D7/300, 312, 314–322, 397, 399, 413,  
D7/415; D9/516, 523, 527, 528, 530,  
D9/531, 535, 536, 543, 547, 549, 562,  
D9/573–575; D23/200, 207, 209  
CPC ..... A47G 19/12; A47J 31/44; A47J 31/605;  
B67D 2210/0001; C02F 1/003; C02F  
2307/04

See application file for complete search history.

(56) **References Cited**

**U.S. PATENT DOCUMENTS**

D173,455 S \* 11/1954 Reinecke ..... D7/317  
D252,068 S \* 6/1979 Lovely ..... D7/317  
D255,531 S \* 6/1980 Daenen ..... B65D 47/06  
D7/312  
D272,225 S \* 1/1984 DeCoster ..... D7/319  
6,074,550 A \* 6/2000 Hofmann ..... C02F 1/003  
210/473  
D604,088 S \* 11/2009 Bursztein ..... D7/319  
D728,317 S \* 5/2015 Ma ..... D7/319

D740,916 S \* 10/2015 Doi ..... D23/207  
D773,013 S \* 11/2016 Poindexter ..... D23/209  
D774,622 S 12/2016 Poindexter et al.  
D775,711 S \* 1/2017 Poindexter ..... D23/209  
D789,135 S \* 6/2017 Green ..... D7/317  
D789,727 S \* 6/2017 Rummel ..... D9/742  
D798,643 S \* 10/2017 Rummel ..... D7/318  
D800,489 S \* 10/2017 Rummel ..... D7/318

(Continued)

**FOREIGN PATENT DOCUMENTS**

TW 214023-0001 \* 9/2021

**OTHER PUBLICATIONS**

Mav Supply, “Ehm Ultra Premium Alkaline water Filter Pitcher,”  
Jan. 20, 2014, Amazon.com, [www.amazon.com/Ultra-Premium-Alkaline-Water-Pitcher/dp/B00HYEIJLW](http://www.amazon.com/Ultra-Premium-Alkaline-Water-Pitcher/dp/B00HYEIJLW) (Year: 2014).\*

(Continued)

*Primary Examiner* — Joseph Kukella  
*Assistant Examiner* — Arva P Adams  
(74) *Attorney, Agent, or Firm* — Nitin Kaushik

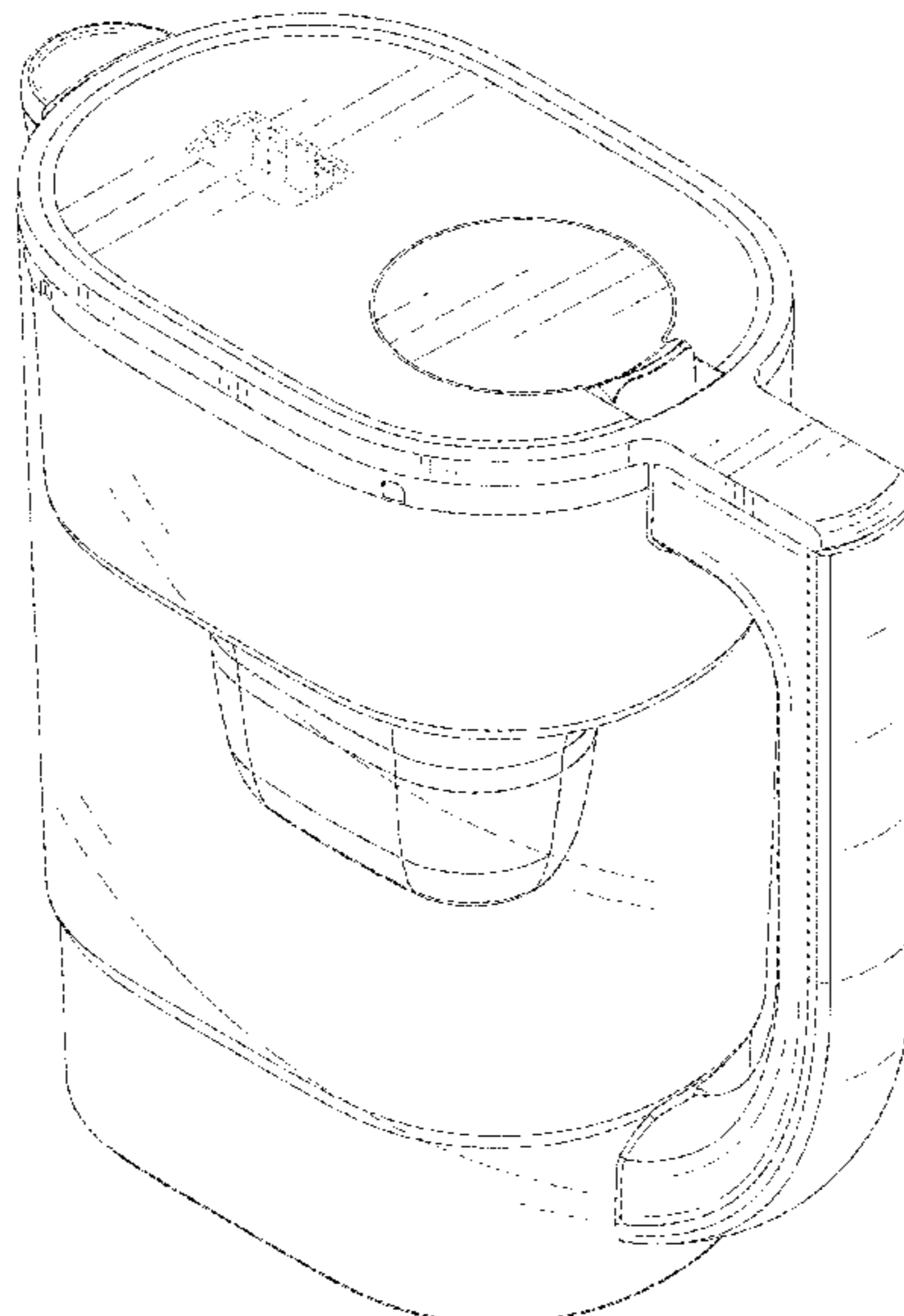
(57) **CLAIM**

The ornamental design for a filter pitcher, as shown and described.

**DESCRIPTION**

FIG. 1 is front perspective view of a filter pitcher, showing my new design;  
FIG. 2 is a front view thereof;  
FIG. 3 is a rear view thereof;  
FIG. 4 is a left side view thereof;  
FIG. 5 is a right side view thereof;  
FIG. 6 is a top view thereof; and,  
FIG. 7 is a bottom view thereof.  
The broken lines in the drawings illustrate the portions the filter pitcher, which form no part of the claimed design.

**1 Claim, 7 Drawing Sheets**



(56)

**References Cited**

U.S. PATENT DOCUMENTS

D801,100 S \* 10/2017 Rummel ..... D7/318  
D873,072 S \* 1/2020 McConnell ..... D7/399  
D883,727 S \* 5/2020 Samartgis ..... C02F 1/003  
D7/319  
11,066,311 B2 \* 7/2021 Dani ..... C02F 1/283  
D940,494 S \* 1/2022 Ding ..... D7/316  
D963,391 S \* 9/2022 Bell ..... C02F 1/003  
D7/317  
2016/0376165 A1 \* 12/2016 Dani ..... C02F 1/003  
210/444  
2018/0016158 A1 \* 1/2018 McDonald ..... B67D 3/0019  
2021/0008483 A1 \* 1/2021 Nishijima ..... B65D 47/06

OTHER PUBLICATIONS

@PresCons, "Disaster Recovery Kits Series, Part 2," Apr. 28, 2022,  
Twitter, [https://twitter.com/PresCons/status/1519680364310142976/  
photo/2](https://twitter.com/PresCons/status/1519680364310142976/photo/2) (Year: 2022).\*

\* cited by examiner

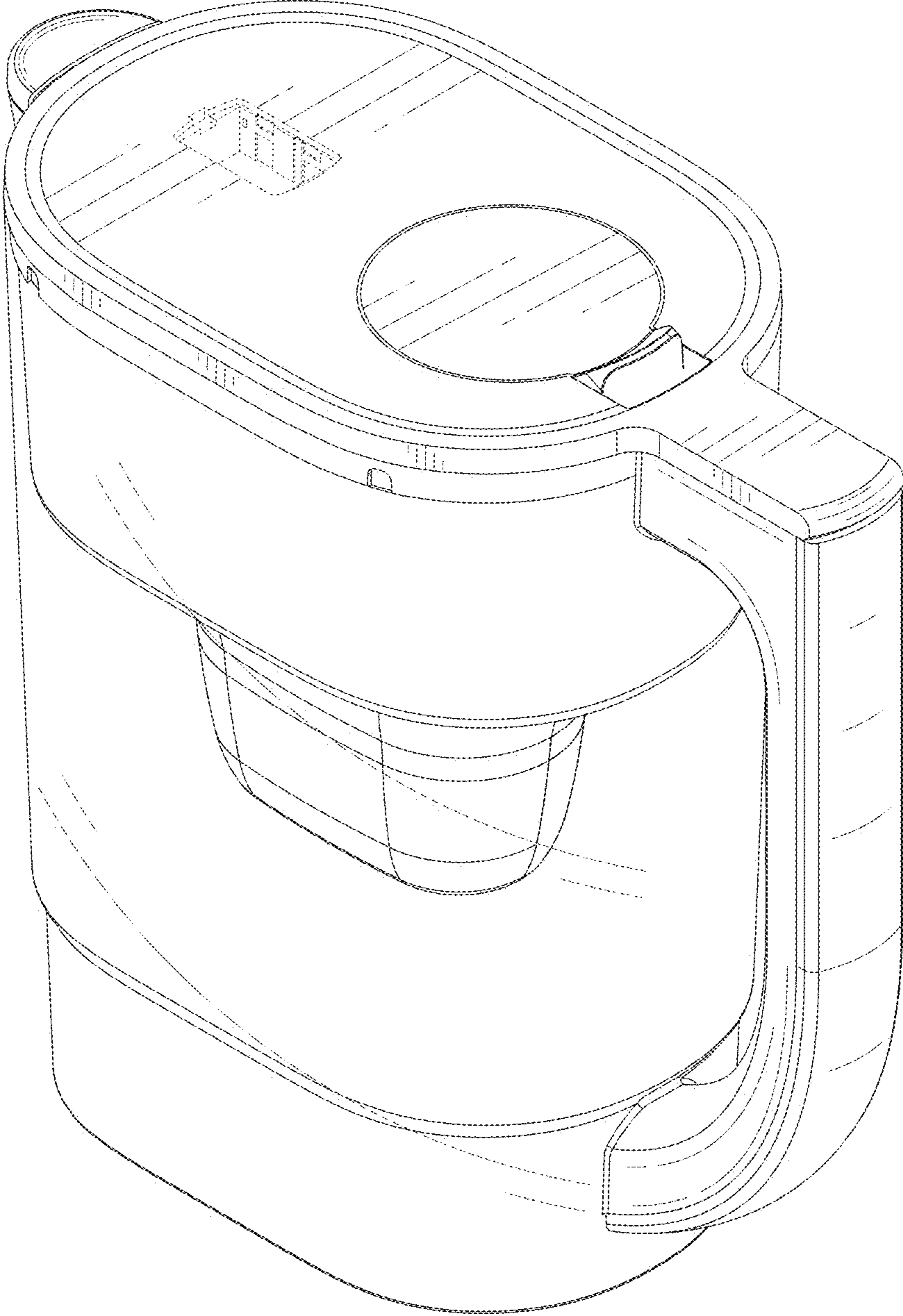


FIG. 1

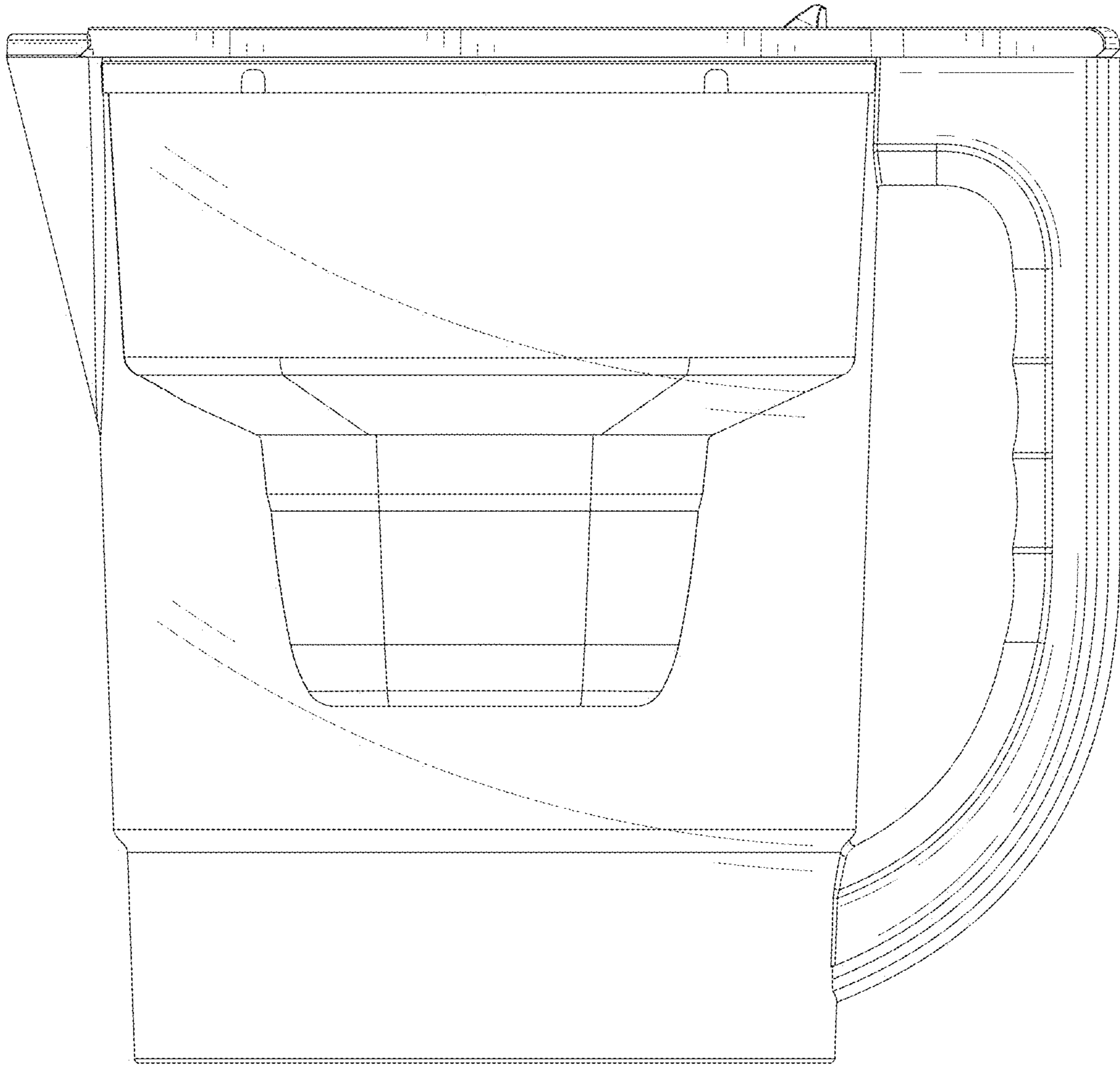


FIG. 2

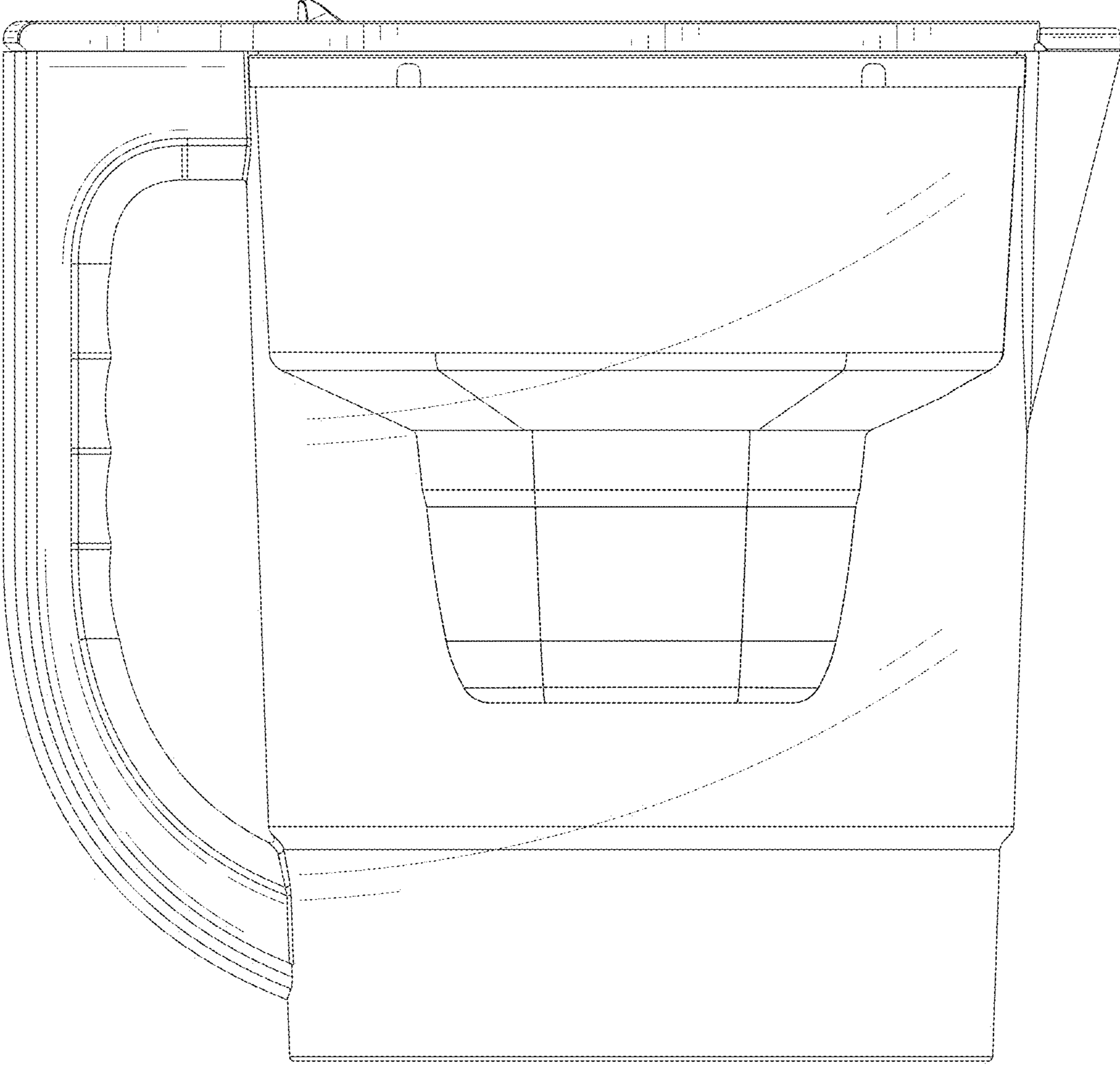
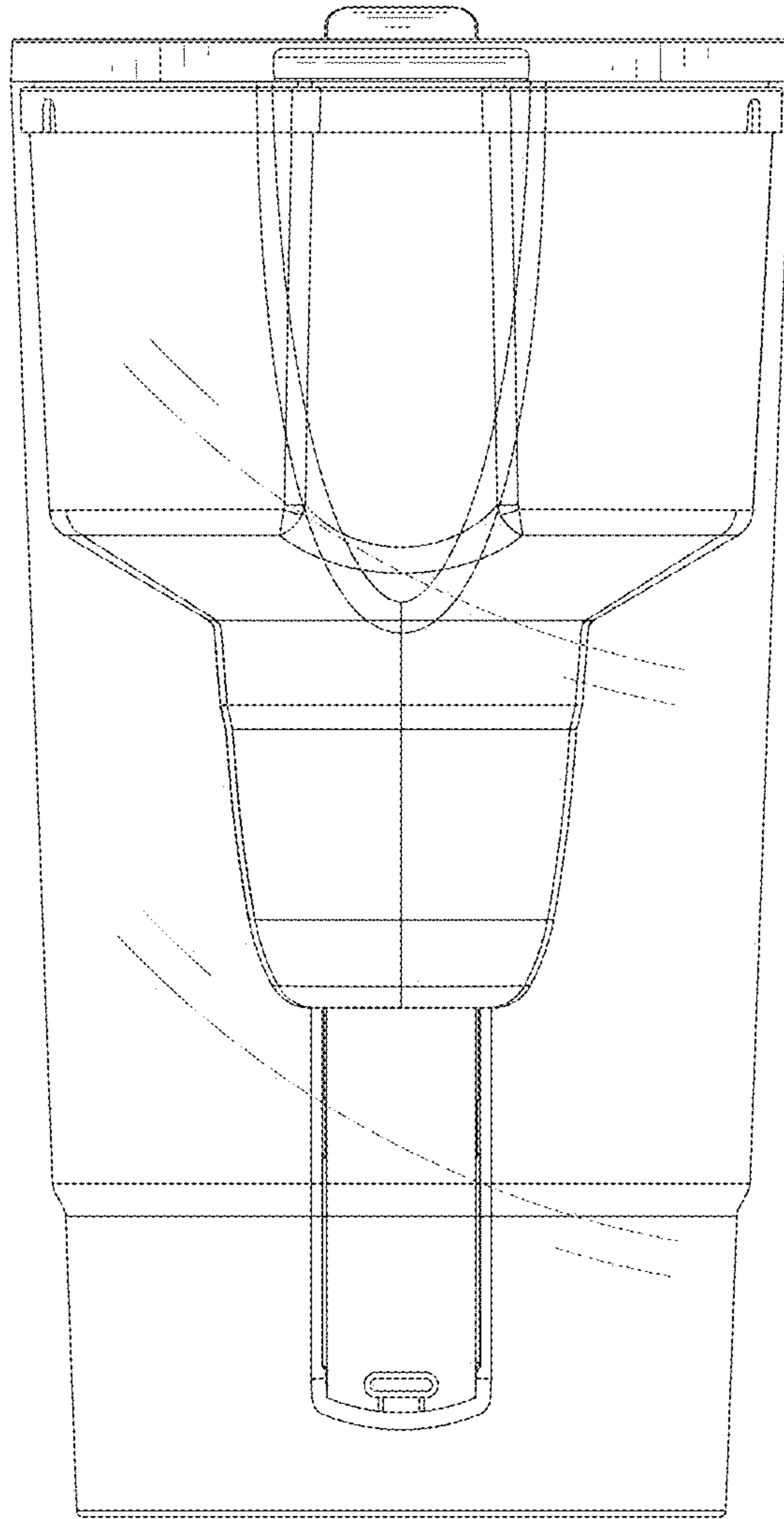
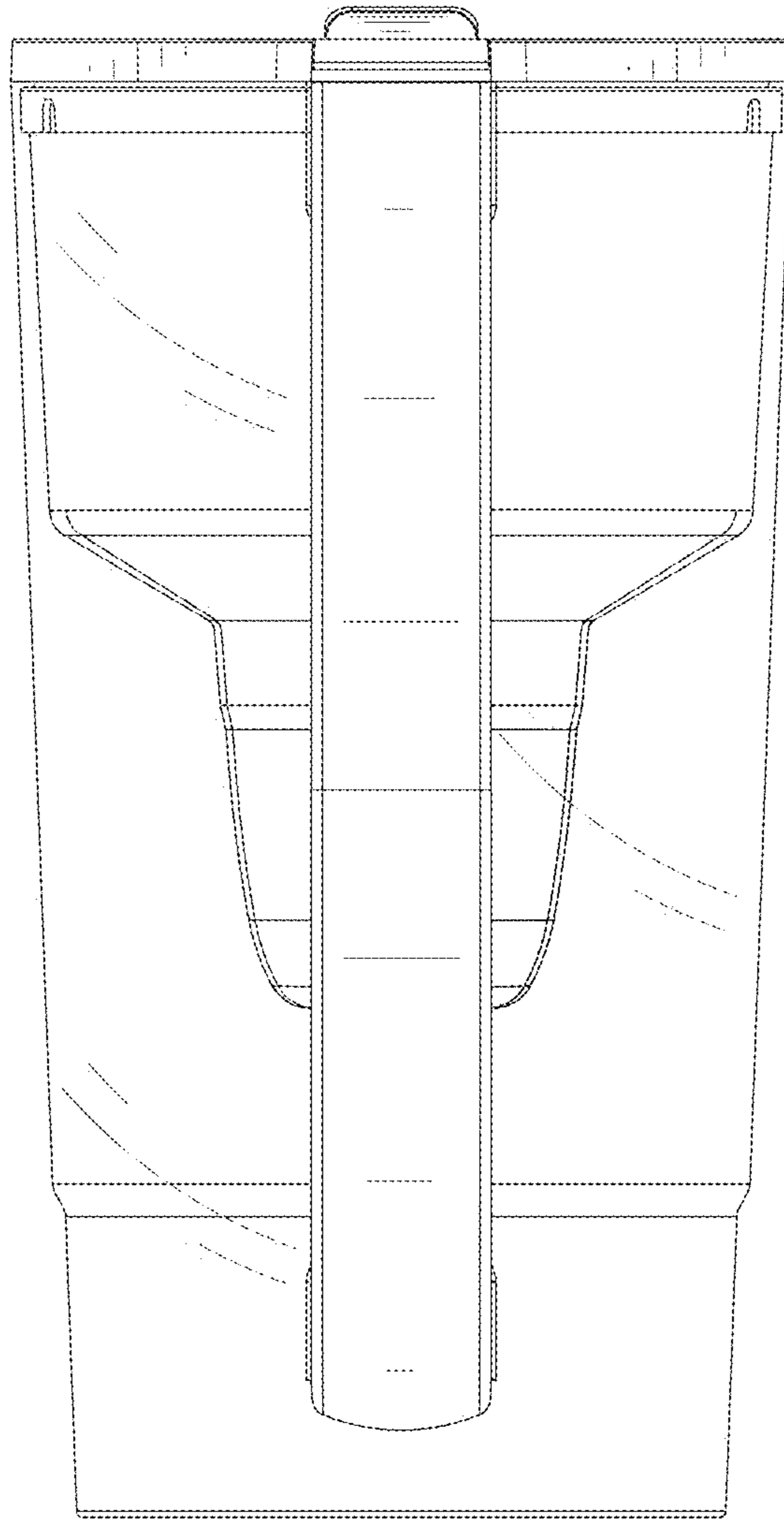


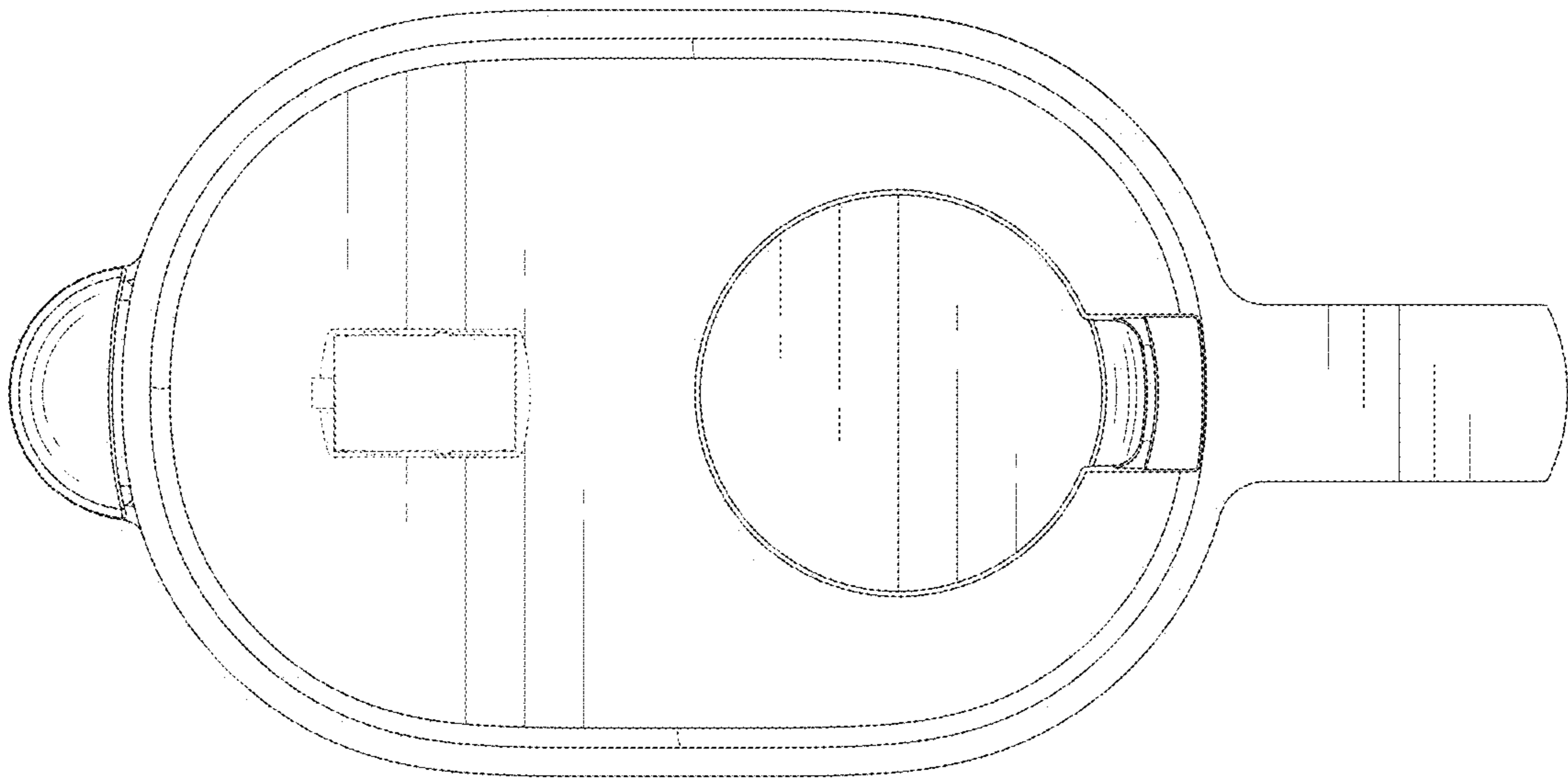
FIG. 3



**FIG. 4**

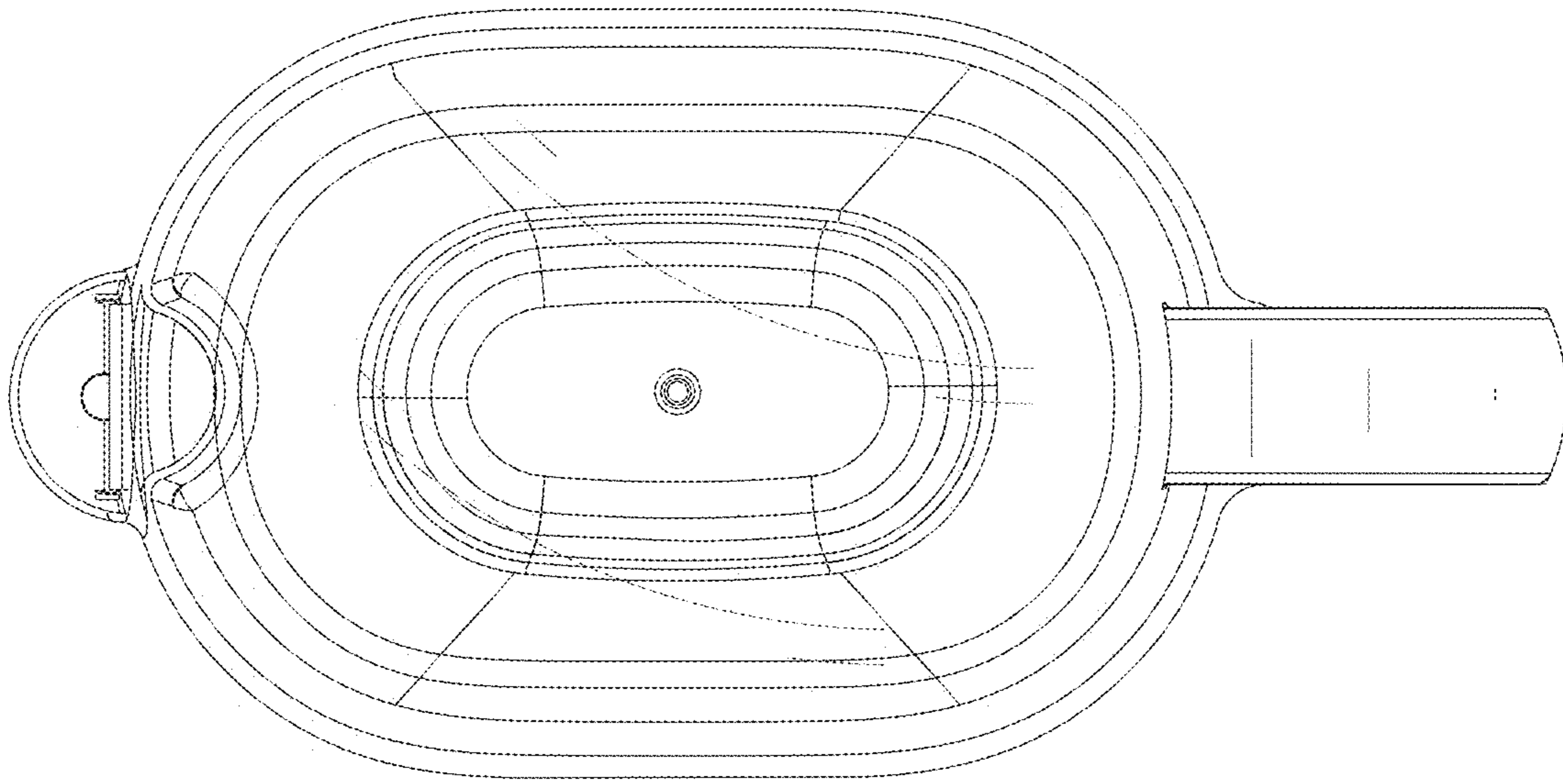


**FIG. 5**



**FIG. 6**





**FIG. 7**