



US00D976044S

(12) **United States Design Patent**  
**Rezzonico**

(10) **Patent No.:** **US D976,044 S**  
(45) **Date of Patent:** **\*\* Jan. 24, 2023**

(54) **COFFEE MAKER**

(71) Applicant: **KONINKLIJKE PHILIPS N.V.**,  
Eindhoven (NL)

(72) Inventor: **Fabio Rezzonico**, Como (IT)

(73) Assignee: **Koninklijke Philips N.V.**, Eindhoven  
(NL)

(\*\*) Term: **15 Years**

(21) Appl. No.: **29/716,408**

(22) Filed: **Dec. 10, 2019**

(30) **Foreign Application Priority Data**

Jun. 24, 2019 (EM) ..... 006594586

(51) **LOC (14) Cl.** ..... **07-02**

(52) **U.S. Cl.**  
USPC ..... **D7/309**

(58) **Field of Classification Search**  
USPC ..... D7/300, 304-322, 372-373, 376,  
D7/397-401, 415; D20/4, 5; D23/201,  
D23/207, 366; D24/216-217, 219, 224;  
99/292, 293

CPC ..... A47J 31/00; A47J 31/002; A47J 31/04;  
A47J 31/043; A47J 31/057; A47J 31/007;  
A47J 31/10; A47J 31/14; A47J 31/40;  
A47J 31/407; A47J 31/42; B67D 1/00;  
B67D 1/0043; B67D 7/00; B67D 7/02

See application file for complete search history.

(56) **References Cited**

**U.S. PATENT DOCUMENTS**

D645,695 S \* 9/2011 Zoppellari ..... D7/309  
D646,108 S \* 10/2011 Zoppellari ..... D7/309  
D646,518 S \* 10/2011 De' Longhi ..... D7/309  
D675,054 S \* 1/2013 Agostini ..... D7/309  
D713,668 S \* 9/2014 Metaxatos ..... D7/309  
D719,390 S \* 12/2014 De Pra ..... D7/309

D735,518 S \* 8/2015 De'Longhi ..... D7/309  
D737,091 S \* 8/2015 Gebhardt ..... D7/309  
D771,992 S \* 11/2016 Yang ..... D7/306  
D835,446 S \* 12/2018 Cometti ..... D7/309  
D891,167 S \* 7/2020 Wang ..... A47J 31/4485  
D7/310  
D891,846 S \* 8/2020 Bignu ..... D7/309  
D892,530 S \* 8/2020 Bignu ..... A47J 31/4489  
D7/309  
D940,491 S \* 1/2022 Baur ..... D7/311

(Continued)

**OTHER PUBLICATIONS**

Philips 3200 Series Fully Automatic Espresso Machine, first available Jul. 19, 2019, Amazon, [online], [site visited Jun. 25, 2021], Available from internet URL: <https://www.amazon.com/Philips-Automatic-Espresso-Machine-LatteGo/dp/B07VFY4MXM> (Year: 2019).\*

(Continued)

*Primary Examiner* — Mary Ann Calabrese

*Assistant Examiner* — Natalya M Rapundalo

(74) *Attorney, Agent, or Firm* — Colson Law Group, PLLC

(57) **CLAIM**

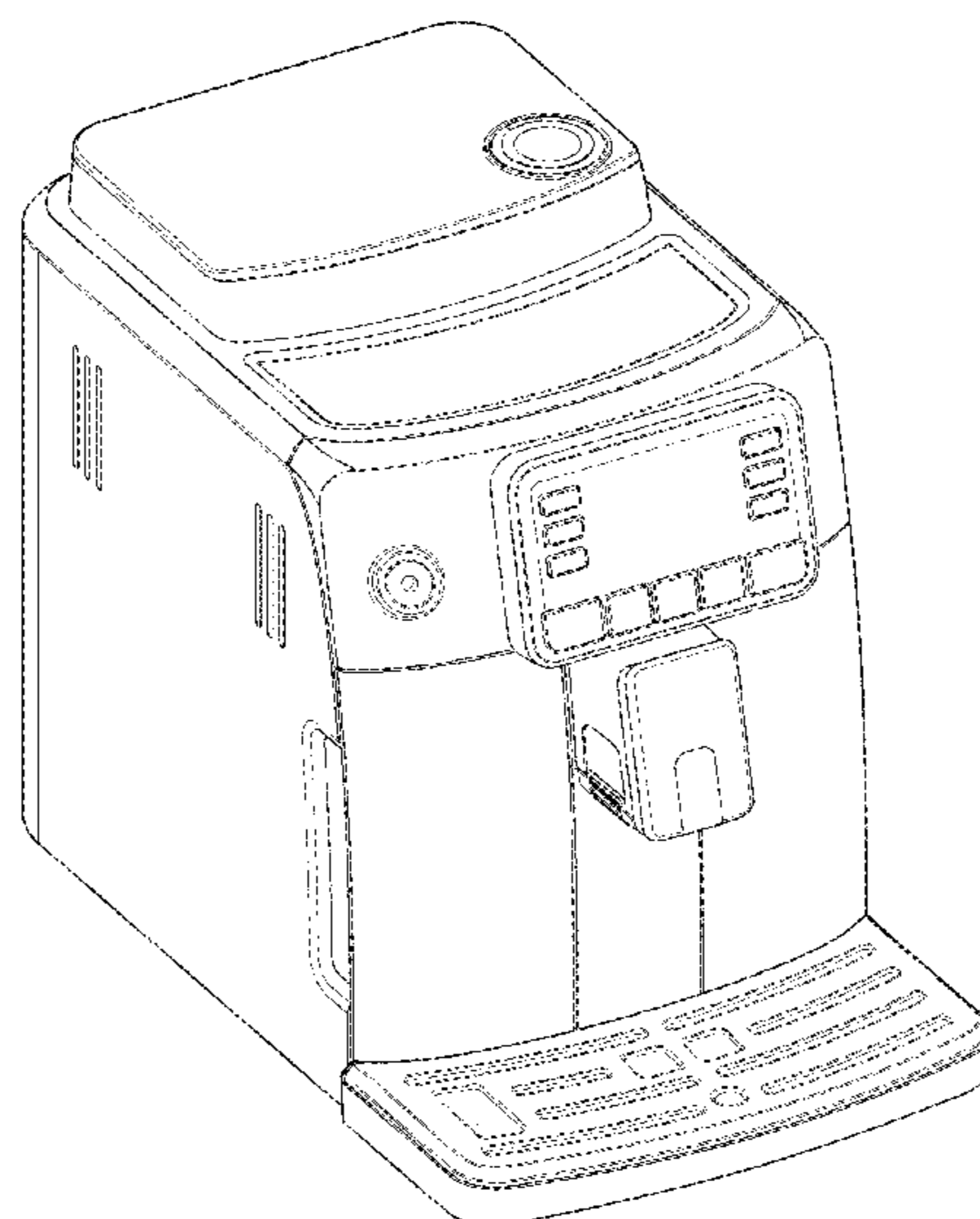
The ornamental design for a coffee maker, as shown and described.

**DESCRIPTION**

FIG. 1 is a perspective view showing my design;  
FIG. 2 is a front elevational view thereof;  
FIG. 3 is a rear elevational view thereof;  
FIG. 4 is a right side elevational view thereof;  
FIG. 5 is a left side elevational view thereof;  
FIG. 6 is a top plan view thereof; and,  
FIG. 7 is a bottom plan view thereof.

The broken lines in the drawings show portions of the coffee maker and form no part of the claimed design.

**1 Claim, 7 Drawing Sheets**



(56)

**References Cited**

U.S. PATENT DOCUMENTS

2012/0222561 A1\* 9/2012 Tonelli ..... A47J 31/4485  
99/293  
2018/0271316 A1\* 9/2018 De'Longhi ..... A47J 31/4489  
2019/0365142 A1\* 12/2019 Beaudet ..... A47J 31/4482

OTHER PUBLICATIONS

Gaggia Cadorna Prestige Super-Automatic Espresso Machine, first available May 29, 2020, Amazon, [online], [site visited Sep. 20, 2021], Available from internet URL: <https://www.amazon.com/Gaggia-Cadorna-Prestige-Super-Automatic-Espresso/dp/B089DPT3HD> (Year: 2020).\*

\* cited by examiner

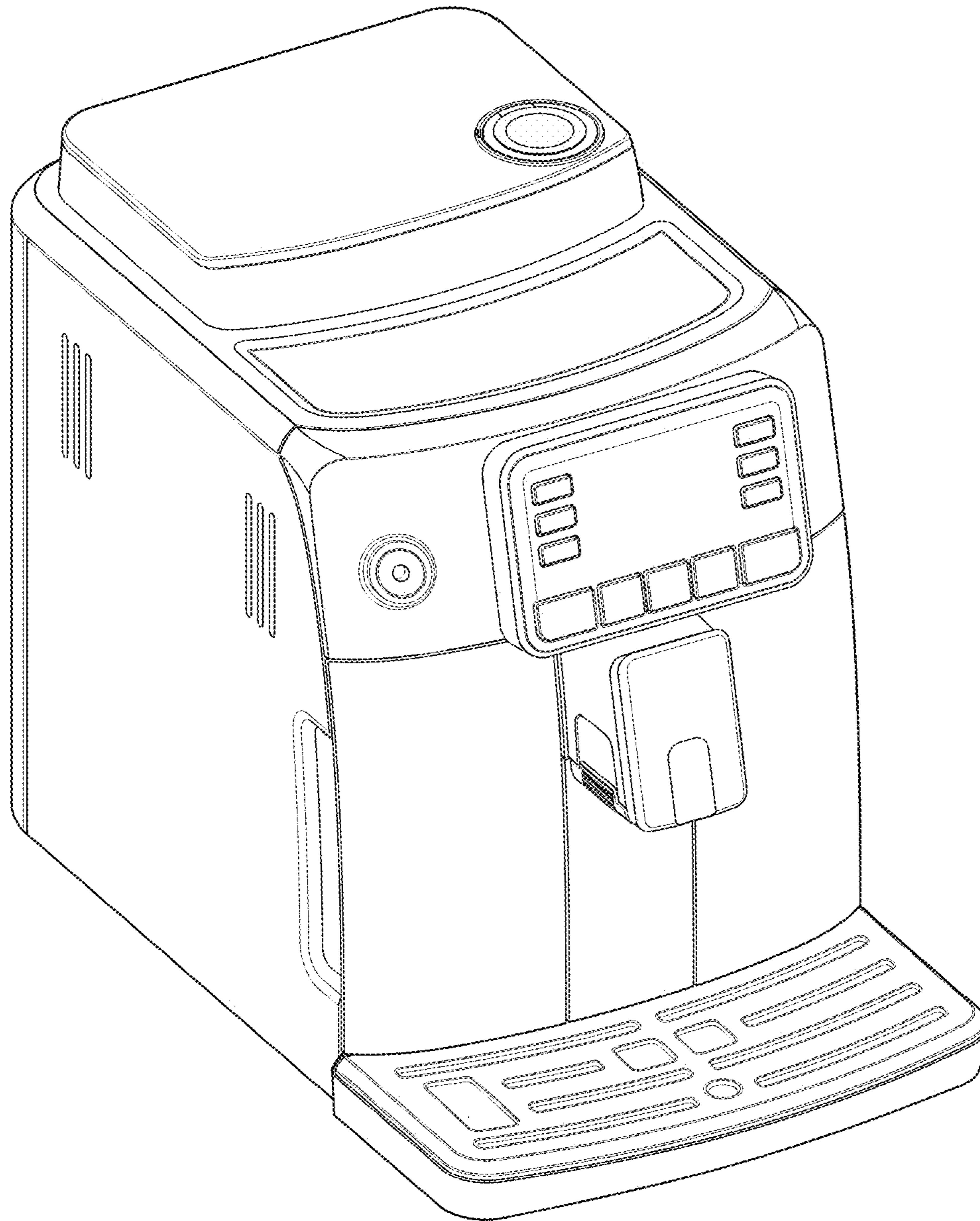


FIG. 1

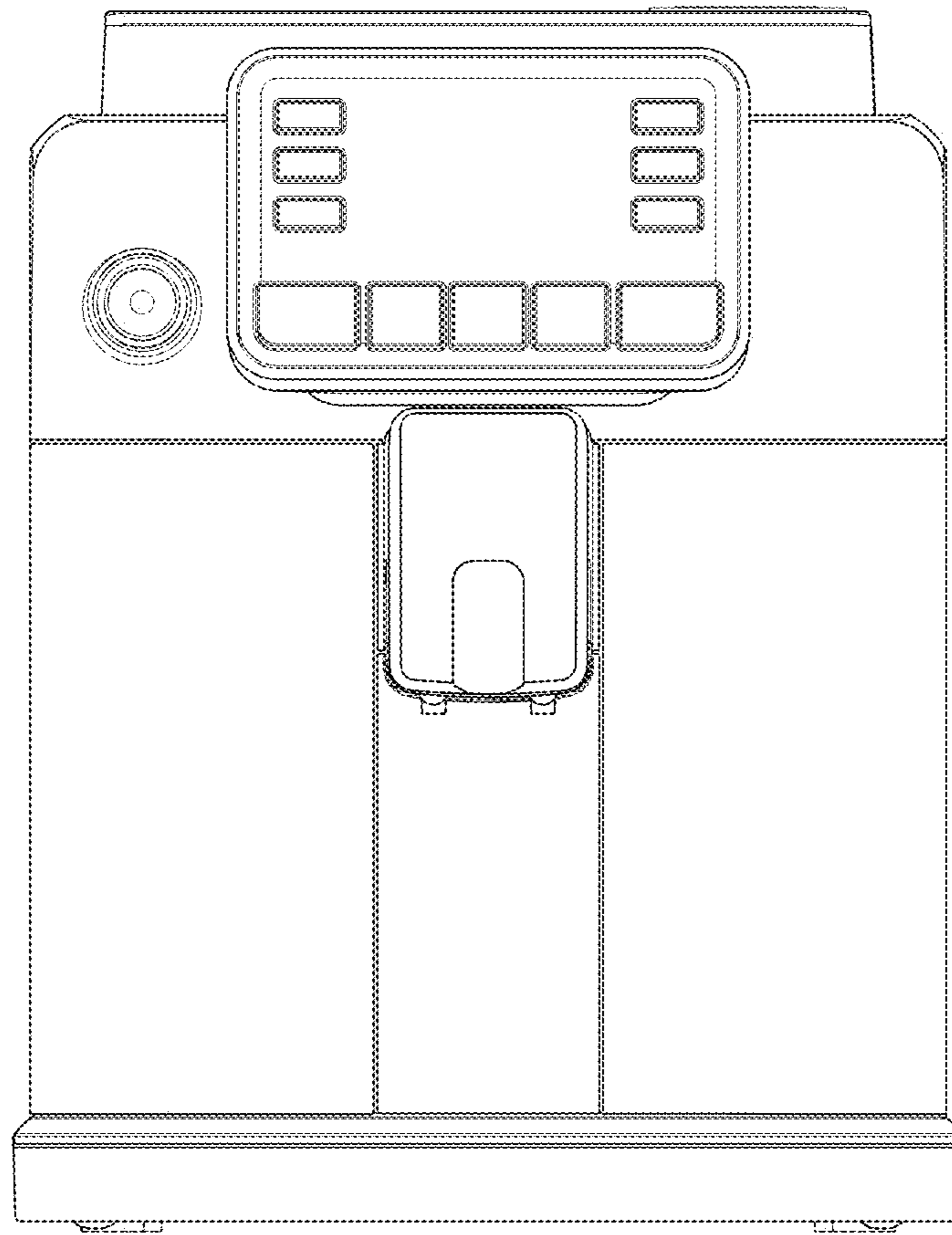


FIG. 2

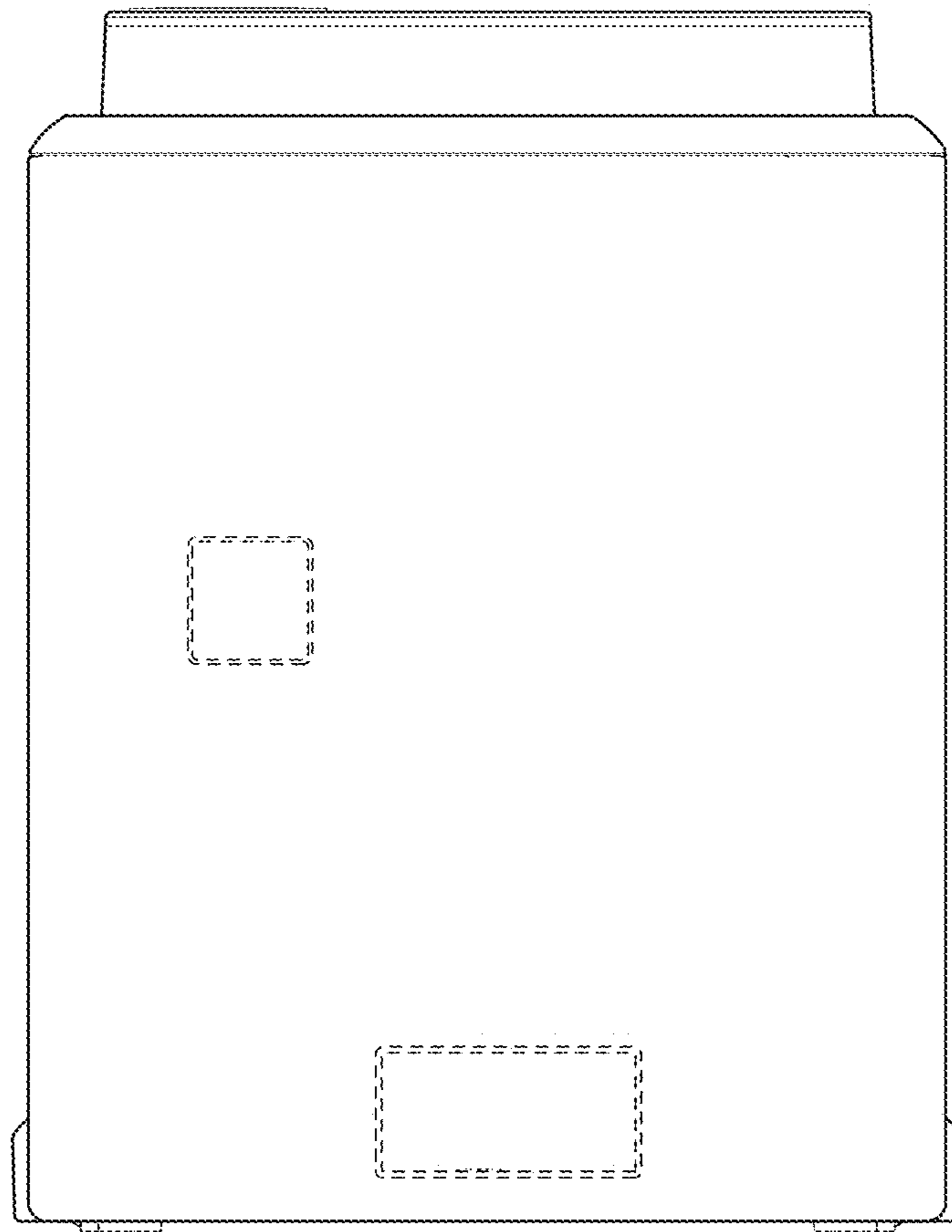


FIG. 3

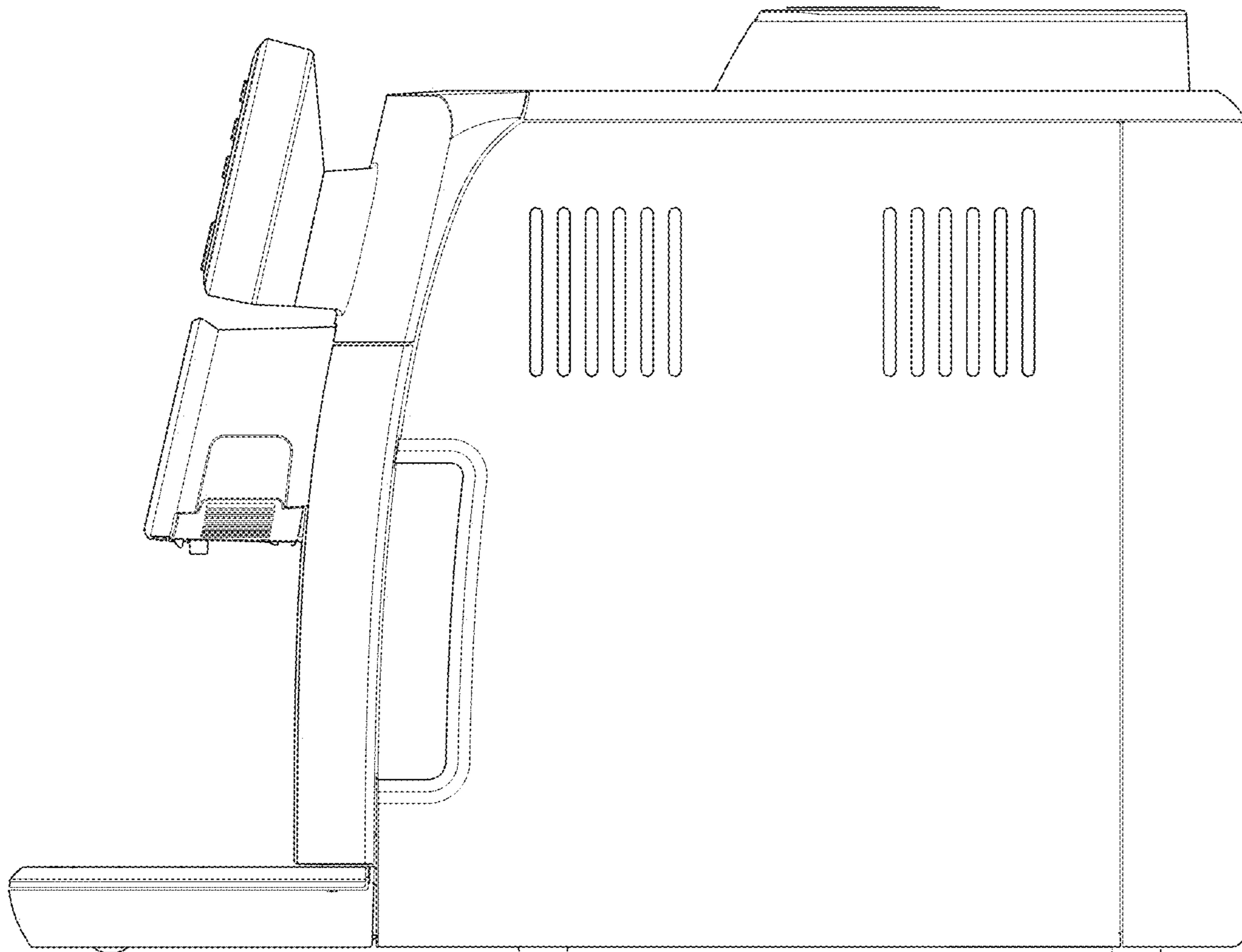


FIG. 4

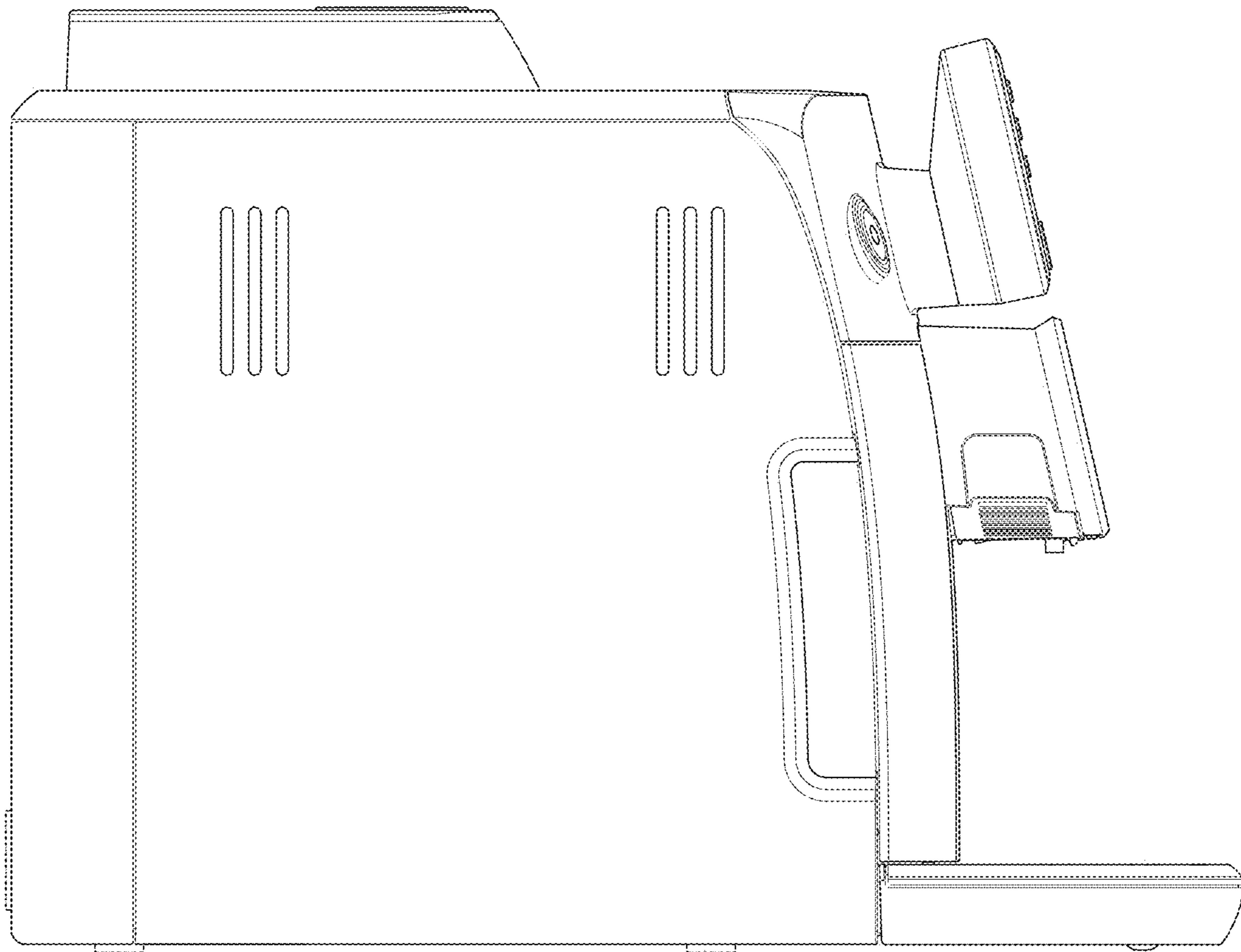


FIG. 5

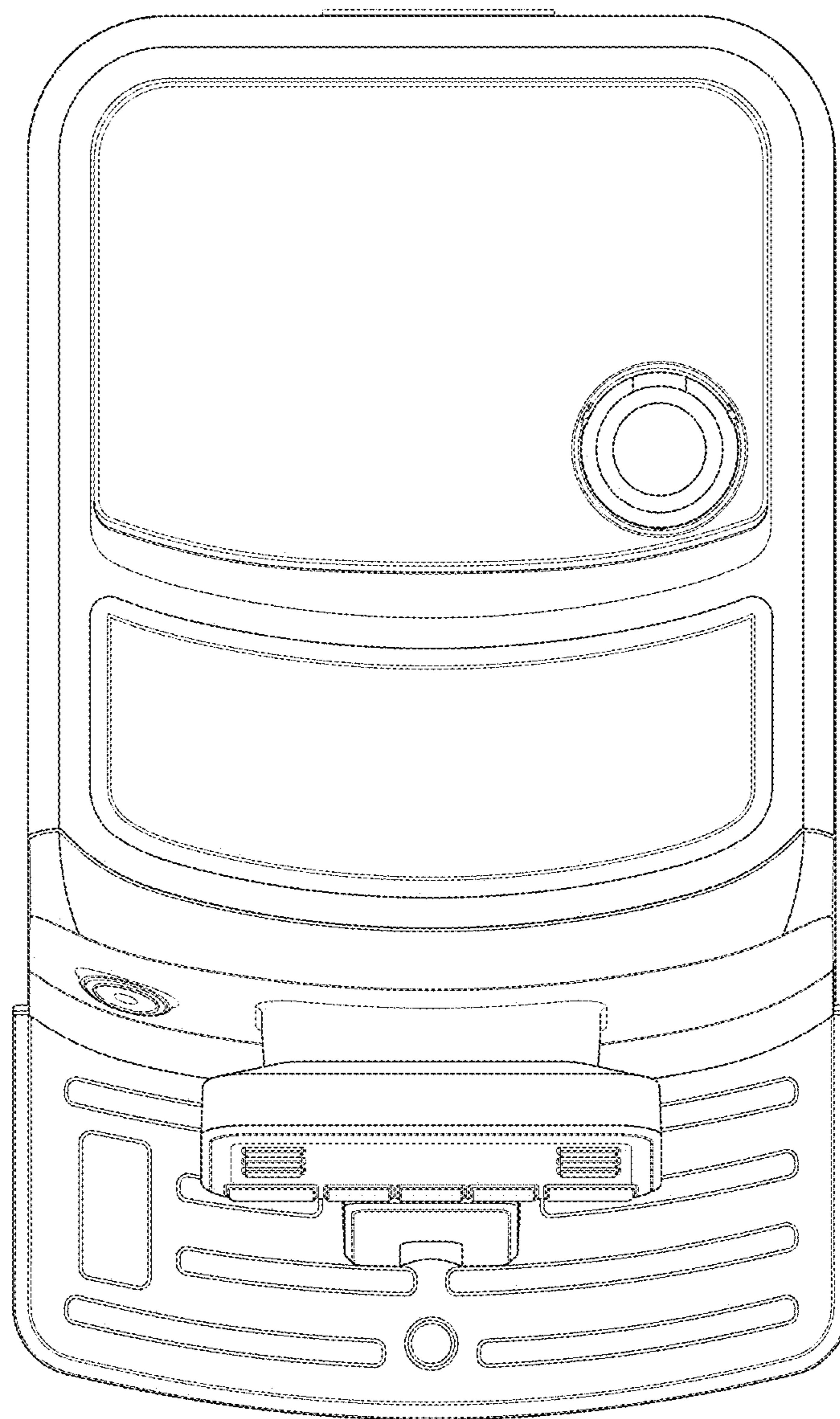


FIG. 6



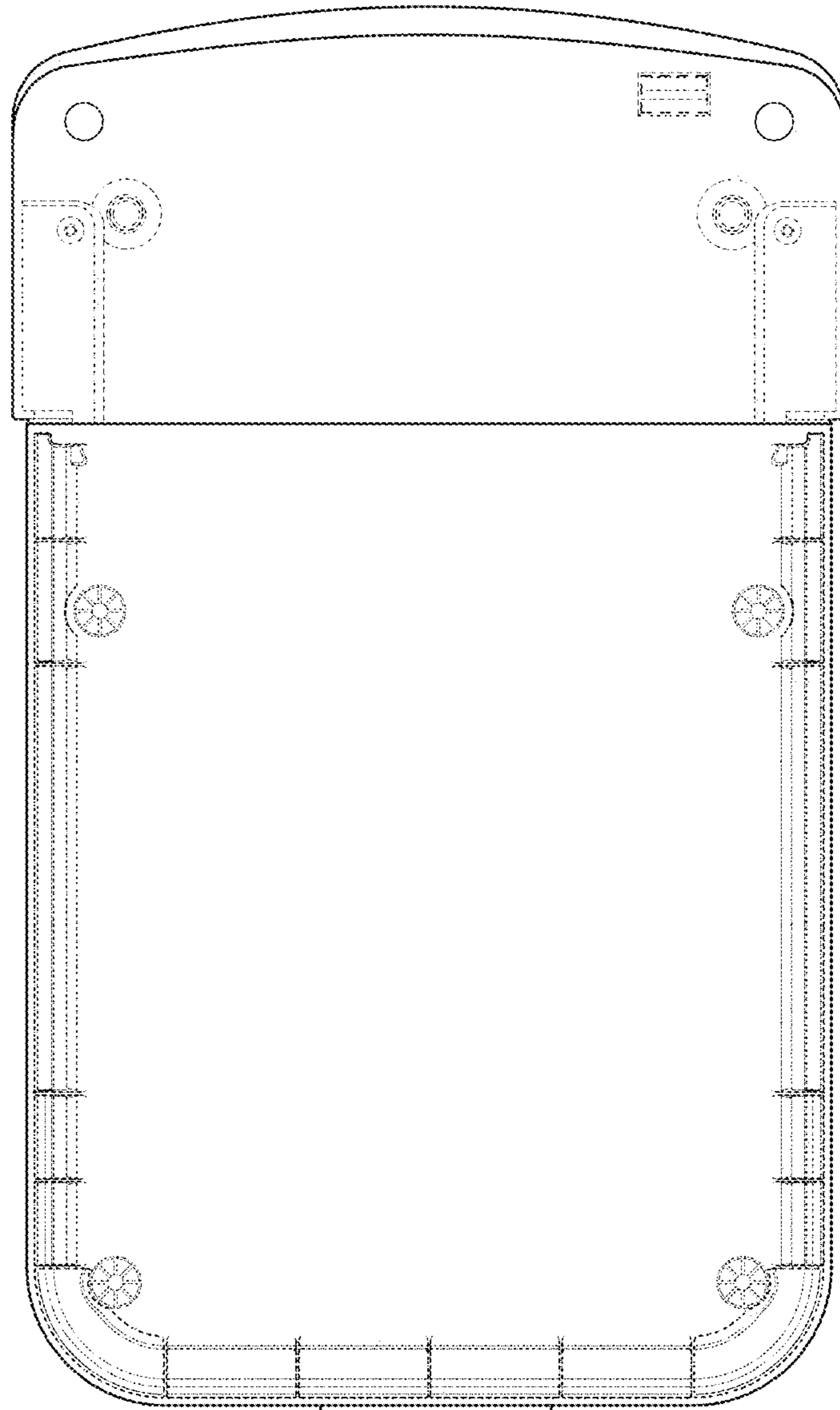


FIG. 7