



US00D976043S

(12) **United States Design Patent**  
**Broen et al.**

(10) **Patent No.:** **US D976,043 S**  
(45) **Date of Patent:** **\*\* Jan. 24, 2023**

(54) **DISPENSER**

(71) Applicant: **PepsiCo, Inc.**, Purchase, NY (US)

(72) Inventors: **Martin Eduardo Broen**, New York, NY (US); **Stephen Lim**, Chappaqua, NY (US); **Klaus Rosburg**, Brooklyn, NY (US); **Gustavo de Souza Messias**, Milan (IT); **Martin Ivar Franzen**, Milan (IT)

(73) Assignee: **PepsiCo, Inc.**, Purchase, NY (US)

(\*\*) Term: **15 Years**

(21) Appl. No.: **29/746,750**

(22) Filed: **Aug. 17, 2020**

**Related U.S. Application Data**

(63) Continuation of application No. 29/720,407, filed on Jan. 13, 2020, now Pat. No. Des. 893,235, which is a continuation of application No. 29/647,697, filed on May 15, 2018, now Pat. No. Des. 873,071.

(51) **LOC (14) Cl.** ..... **07-01**

(52) **U.S. Cl.**

USPC ..... **D7/307**; D7/306

(58) **Field of Classification Search**

USPC ..... D7/305–311, 300, 313, 397; 99/295, 99/323.1, 305, 307, 279, 284, 304, 306, 99/308–312, 316; 222/129.1, 185.1; D15/81, 82

CPC ..... A47J 31/44; A47J 31/4403; A47J 31/46; A47J 31/4482; A47J 31/407; A47J 31/0615; A47J 31/043; A47J 31/057; A47J 31/10; B67D 1/00; B67D 1/0888; B67D 3/0061

See application file for complete search history.

(56) **References Cited**

**U.S. PATENT DOCUMENTS**

D43,666 S 3/1913 Branning  
D121,005 S 6/1940 Wright

D151,386 S 10/1948 Nissen  
D151,952 S 12/1948 Babcock  
D153,541 S 4/1949 Otto  
D183,532 S 9/1958 McCauley

(Continued)

**FOREIGN PATENT DOCUMENTS**

CA 170769 \* 6/2019  
CA 186274 \* 5/2020

(Continued)

**OTHER PUBLICATIONS**

Bloomberg [online] URL: <https://www.bloomberg.com/news/articles/2018-11-09/pepsi-expands-lacroix-fight-by-putting-sparkling-water-on-campus> (site visited: Oct. 11, 2022) (Year: 2018).\*

(Continued)

*Primary Examiner* — Jae Liang

*Assistant Examiner* — Tia Ruth-Renee Polidori

(74) *Attorney, Agent, or Firm* — Sterne, Kessler, Goldstein & Fox P.L.L.C.

(57)

**CLAIM**

The ornamental design for a dispenser, as shown and described.

**DESCRIPTION**

FIG. 1 is a top front perspective view of a dispenser showing the claimed design;

FIG. 2 is a front view thereof;

FIG. 3 is a rear view thereof;

FIG. 4 is a left side view thereof;

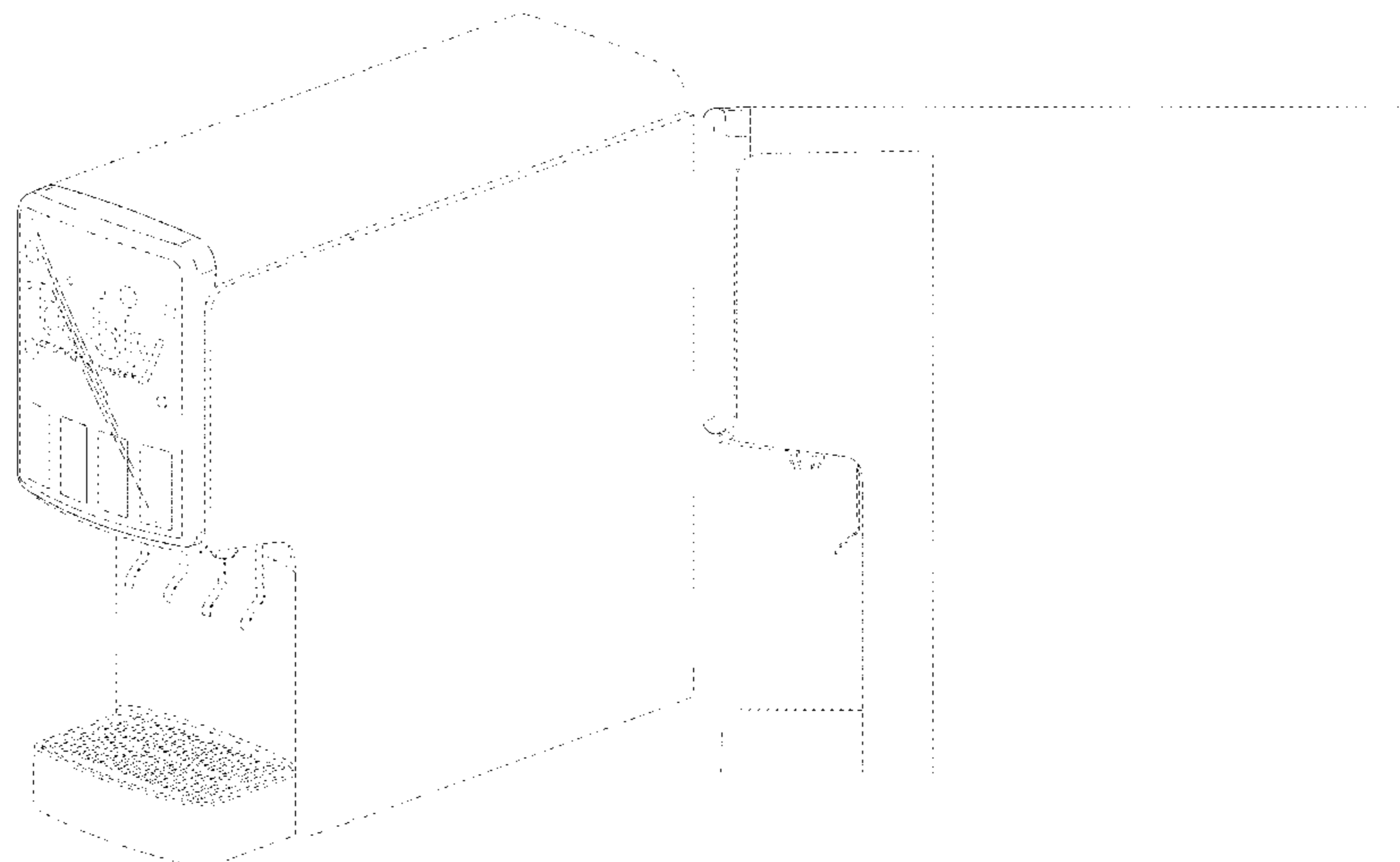
FIG. 5 is a right side view thereof;

FIG. 6 is a top view thereof; and,

FIG. 7 is a bottom view thereof.

The dashed broken lines in the figures show portions of the dispenser that form no part of the claimed design.

**1 Claim, 5 Drawing Sheets**



(56)

References Cited

U.S. PATENT DOCUMENTS

D185,148 S	5/1959	Hebel		D600,490 S	9/2009	Pino et al.	
D202,688 S	11/1965	Cornelius et al.		D600,491 S	9/2009	Hammad et al.	
D206,519 S	12/1966	Wolfe		D601,380 S	10/2009	Jones et al.	
D229,221 S	11/1973	Adamson		D604,087 S	11/2009	Lavy	
D230,882 S	3/1974	Winsett		D608,129 S	1/2010	Spear et al.	
D235,816 S	7/1975	Hall		D608,130 S	1/2010	Moon et al.	
D256,124 S	7/1980	Adamson et al.		7,648,050 B1 *	1/2010	Ehlers .....	G07F 13/02 222/144.5
D259,790 S	7/1981	Hentschel		D617,132 S	6/2010	Wang	
D290,330 S	6/1987	Lagace		D618,031 S	6/2010	Mansour	
D297,697 S	9/1988	Fossella		D620,511 S	7/2010	Publ et al.	
D309,395 S	7/1990	Thompson et al.		D623,885 S	9/2010	Wang	
D310,612 S	9/1990	Desrosiers		D624,778 S	10/2010	Meldrum et al.	
D323,875 S	2/1992	Kang et al.		D627,187 S	11/2010	Voron et al.	
D330,983 S	11/1992	De Moss		D630,471 S	1/2011	Wang	
D332,196 S *	1/1993	Hines .....	D6/519	D635,812 S	4/2011	Wang	
D332,200 S	1/1993	Credle, Jr.		D638,476 S	5/2011	Hoffman et al.	
D332,369 S *	1/1993	Hanna .....	D6/545	D638,513 S	5/2011	Choi	
D332,542 S *	1/1993	Hines .....	D6/522	D640,891 S	7/2011	Smith	
D356,342 S	3/1995	Reese et al.		D642,851 S	8/2011	Yui	
D358,427 S *	5/1995	Gobindram .....	D7/311	D643,240 S	8/2011	Yui	
D359,649 S	6/1995	Salkeld et al.		D643,666 S	8/2011	Yui	
D360,801 S	8/1995	Shub		D643,667 S	8/2011	Yui	
D365,962 S	1/1996	Amundsen et al.		D643,668 S	8/2011	Yui	
D367,797 S	3/1996	Hauser, II et al.		8,006,866 B2	8/2011	Minard et al.	
D379,285 S	5/1997	Evers		D644,712 S	9/2011	Seo et al.	
D382,761 S	8/1997	Ford		D646,105 S	10/2011	Deo et al.	
D385,457 S	10/1997	Sellers		D646,269 S	10/2011	Crick, Jr. et al.	
D387,809 S	12/1997	Reese et al.		D649,393 S	11/2011	Cohlmlia et al.	
D398,183 S	9/1998	De Felip		D661,159 S	6/2012	Curtis et al.	
D404,242 S	1/1999	Schroeder		D676,701 S *	2/2013	Chung .....	D7/307
5,855,162 A	1/1999	Bauer et al.		D682,597 S	5/2013	Bingul et al.	
D408,207 S	4/1999	Bourke		D683,173 S	5/2013	Liang	
D418,001 S	12/1999	vanderVeen		D691,205 S	10/2013	d'Amore et al.	
D418,365 S	1/2000	Ford		D692,952 S	11/2013	d'Amore et al.	
D421,629 S	3/2000	Sakata		D693,404 S	11/2013	d'Amore et al.	
D424,361 S	5/2000	Kuboyama		D693,407 S	11/2013	d'Amore et al.	
D431,145 S	9/2000	Woebcke et al.		D696,349 S	12/2013	d'Amore et al.	
D440,255 S	4/2001	Dickson		D697,356 S *	1/2014	Choi .....	D7/307
D444,986 S	7/2001	Smith et al.		D698,391 S	1/2014	d'Amore et al.	
D453,088 S	1/2002	Bell et al.		D699,501 S *	2/2014	Arora .....	D7/307
D456,663 S	5/2002	Chew		D701,412 S	3/2014	Broen et al.	
D467,764 S	12/2002	Harrison et al.		D703,476 S	4/2014	Behar et al.	
D473,745 S	4/2003	Mulle et al.		D704,492 S	5/2014	Broen et al.	
D474,366 S	5/2003	Hodges et al.		D710,642 S	8/2014	Broen et al.	
D477,175 S	7/2003	Smith		D710,643 S	8/2014	Broen et al.	
D482,227 S	11/2003	Walton		D716,093 S	10/2014	Jakeman et al.	
D482,609 S *	11/2003	Weinstock .....	D9/414	D721,852 S *	1/2015	Yates .....	D28/66
D486,346 S	2/2004	Jonsson		D724,883 S	3/2015	Lamb et al.	
D498,637 S	11/2004	Heilstedt et al.		D731,839 S	6/2015	Tomasson et al.	
D499,145 S	11/2004	Yao		D731,840 S	6/2015	Cha et al.	
D500,625 S	1/2005	Hellenberg et al.		D732,328 S	6/2015	Bhutani et al.	
D505,822 S	6/2005	De Gooijer		D734,635 S	7/2015	Behar	
D510,675 S	10/2005	Ball		D740,587 S *	10/2015	Sun Ting Kung .....	D6/518
D514,864 S	2/2006	Birdsell et al.		D758,119 S	6/2016	Sanchez et al.	
D514,867 S	2/2006	Steiner		D770,214 S	11/2016	Kadyk et al.	
D526,523 S	8/2006	Steiner et al.		D772,003 S	11/2016	Broen et al.	
D527,567 S	9/2006	Nakato et al.		D773,876 S	12/2016	Harris, III	
D529,750 S *	10/2006	Baron .....	D7/307	D775,887 S	1/2017	Atkin et al.	
D531,855 S	11/2006	Steiner et al.		D776,970 S	1/2017	Broen et al.	
D533,007 S	12/2006	Felty		D787,874 S	5/2017	Seum et al.	
D544,919 S	6/2007	Roekens et al.		D789,133 S	6/2017	Gnadinger	
D544,920 S	6/2007	Roekens et al.		D789,142 S *	6/2017	Broen .....	D7/307
D554,930 S	11/2007	Lavy		D799,880 S	10/2017	Broen et al.	
D555,414 S	11/2007	Lin		D813,346 S *	3/2018	Lee .....	D23/207
D555,968 S	11/2007	Pfeifer et al.		D822,154 S	7/2018	Lee	
D557,547 S	12/2007	Knoell et al.		D825,243 S	8/2018	Yoon	
D564,279 S	3/2008	Hodges		D838,540 S	1/2019	Gnadinger	
D570,149 S	6/2008	Truong		D841,382 S	2/2019	Broen et al.	
D570,636 S	6/2008	Kulujian et al.		D844,378 S *	4/2019	Seum .....	D7/307
D572,965 S	7/2008	Steiner		D853,772 S	7/2019	Park	
D582,194 S	12/2008	Wang		D858,168 S	9/2019	Broen et al.	
D583,608 S	12/2008	Kato		D863,439 S	10/2019	Mycroft et al.	
D585,690 S	2/2009	Dammkoehler		D873,071 S	1/2020	Broen et al.	
D597,605 S	8/2009	Davis		D886,522 S	6/2020	Lim et al.	
D600,060 S	9/2009	Fletcher et al.		D893,234 S *	8/2020	Broen .....	D7/397
				D893,235 S	8/2020	Broen et al.	
				2002/0148858 A1	10/2002	Bertone	
				2003/0232115 A1	12/2003	Eckenhansen et al.	

(56)

**References Cited**

U.S. PATENT DOCUMENTS

2017/0164781 A1 6/2017 De'Longhi et al.  
2018/0016128 A1\* 1/2018 Park ..... B67D 1/0864  
2018/0215603 A1 8/2018 Hecht

FOREIGN PATENT DOCUMENTS

CN	305383449	* 10/2019
CN	306875530	* 10/2021
CN	307103378	* 2/2022
EM	001914862-0002	8/2013
IN	315158-001-0001	* 9/2021
JP	D1197475	2/2004
KR	30-0722649	12/2013
NO	083336	2/2012
RU	00118628	* 2/2020

OTHER PUBLICATIONS

QSR [online] URL: <https://www.qsrmagazine.com/news/pepsico-introduces-bubly-fountain-meet-sparkling-water-demand> (site visited: Oct. 11, 2022) (Year: 2018).\*

Choice [online] URL: <https://www.choicefoodservice.com/equipment/beverage-dispensers-ice-machines/> (site visited: Oct. 11, 2022) (Year: 2020).\*

\* cited by examiner

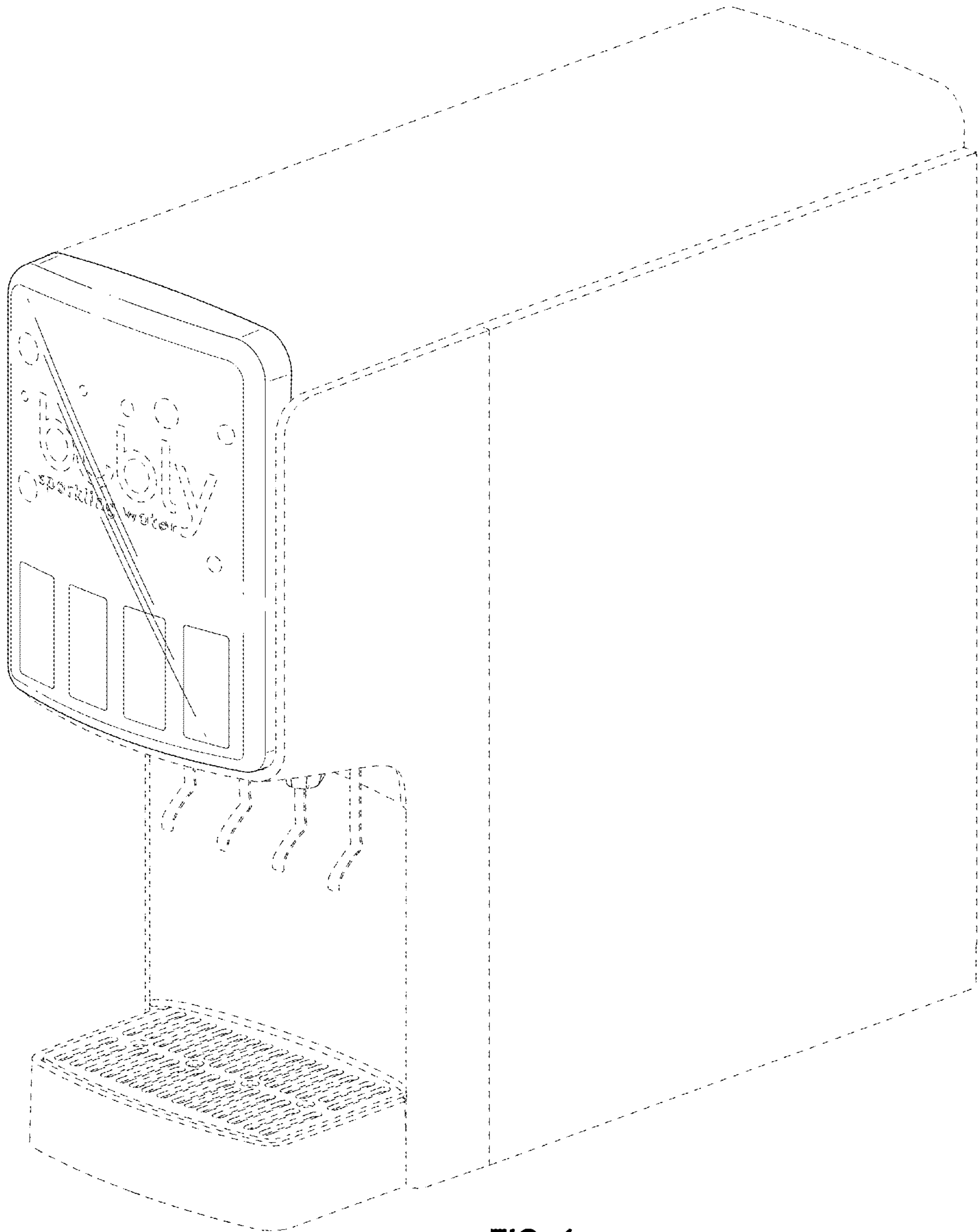


FIG. 1

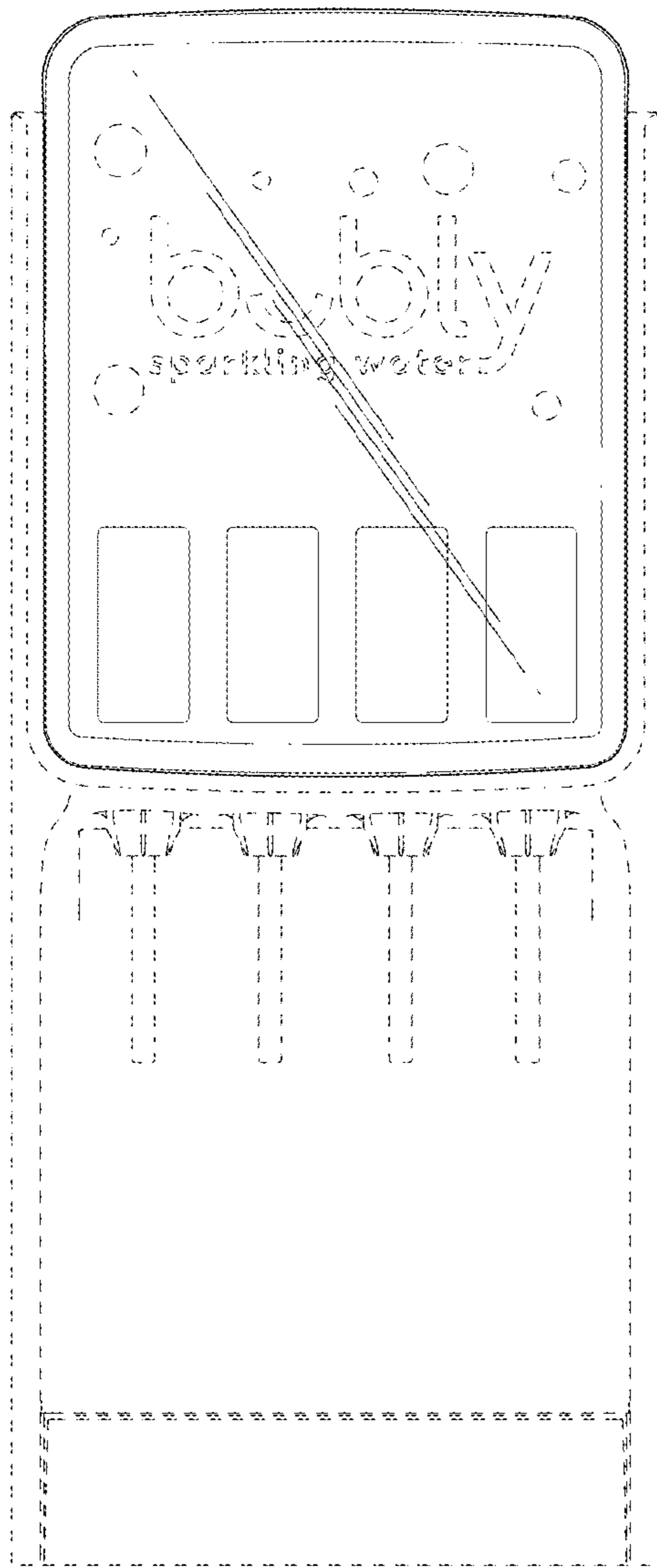


FIG. 2

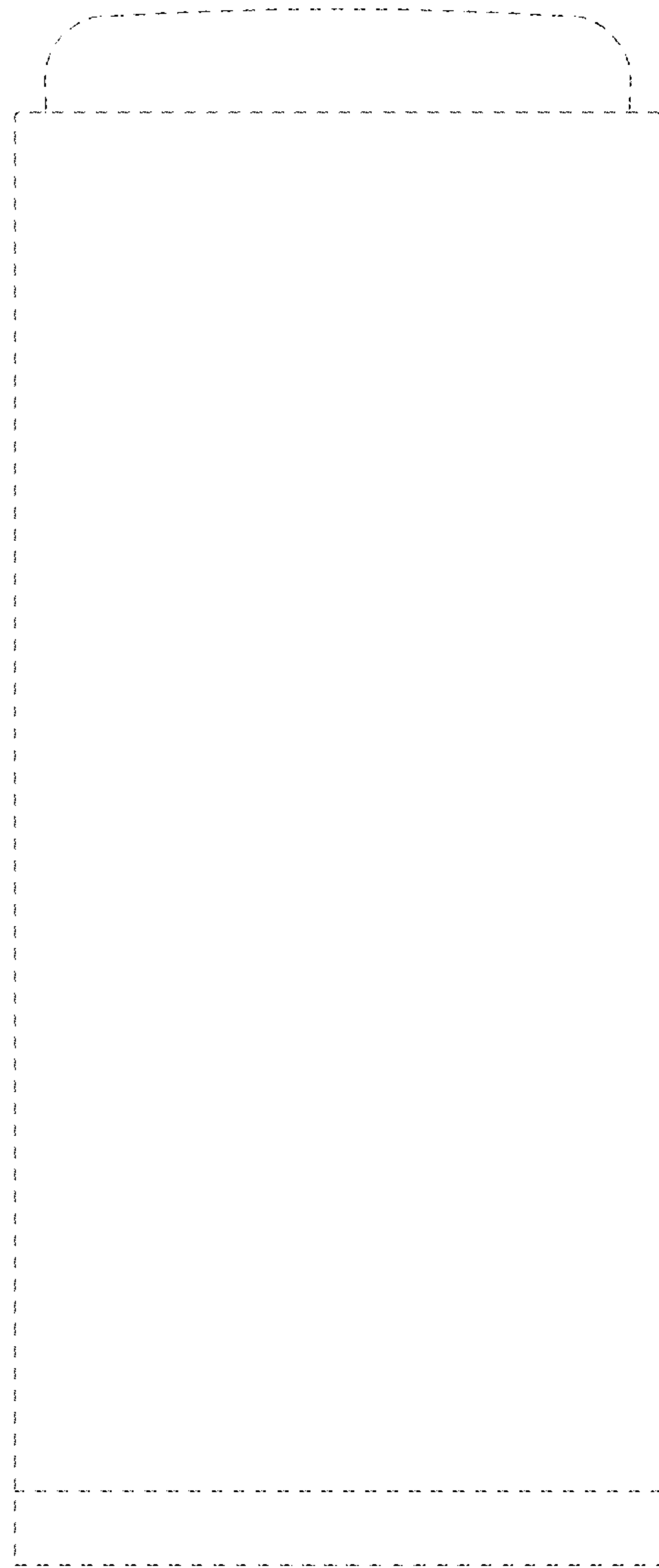
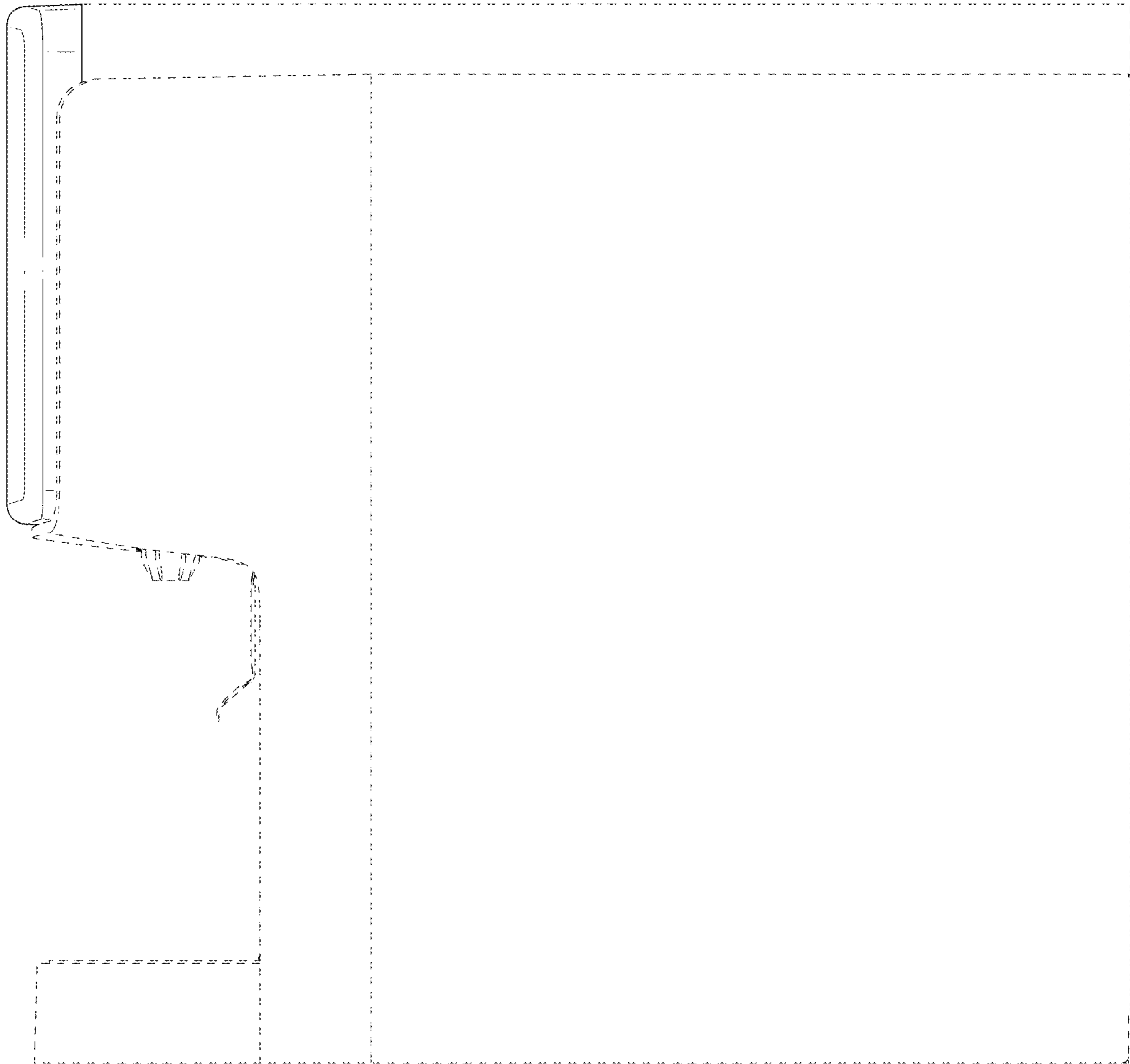


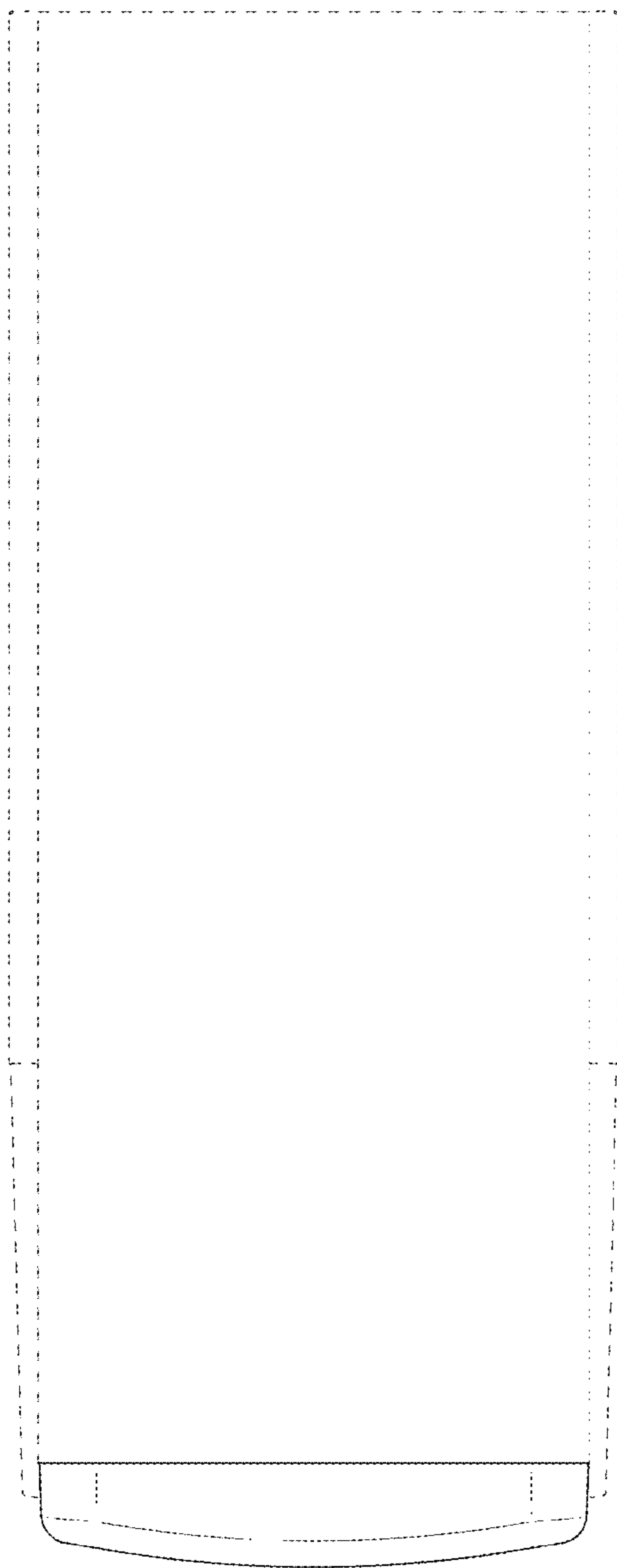
FIG. 3



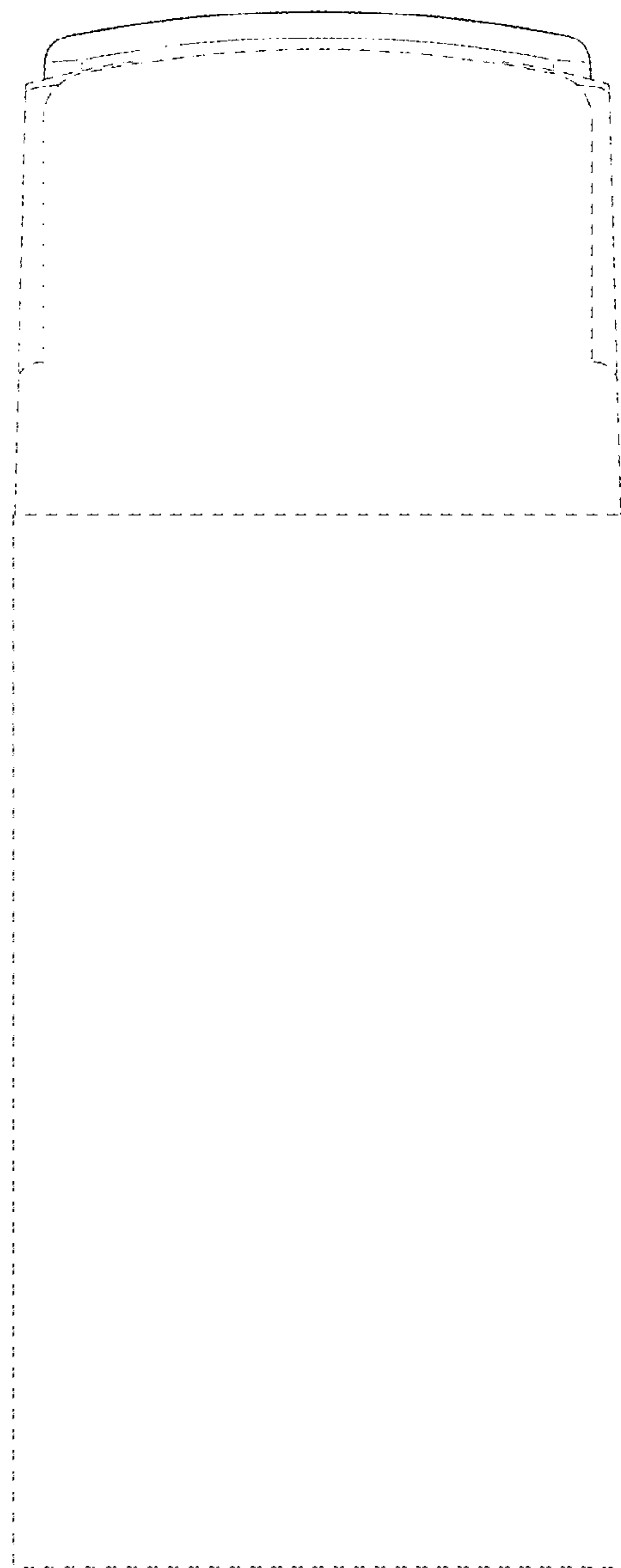
**FIG. 4**



**FIG. 5**



**FIG. 6**



**FIG. 7**