



US00D976042S

(12) **United States Design Patent**
Baur

(10) **Patent No.:** **US D976,042 S**
(45) **Date of Patent:** **** Jan. 24, 2023**

- (54) **COFFEE MAKER**
- (71) Applicant: **Jura Elektroapparate AG**,
Niederbuchsiten (CH)
- (72) Inventor: **Philipp Baur**, Utzenstorf (CH)
- (73) Assignee: **Jura Elektroapparate AG**,
Niederbuchsiten (CH)

D618,950 S *	7/2010	Jaffe	D7/397
D655,561 S *	3/2012	Wang	D7/311
D701,071 S *	3/2014	Buttler	D7/311
D719,391 S *	12/2014	De Pra	D7/311
D726,478 S *	4/2015	Cahen	D7/311
D757,477 S *	5/2016	Wang	D7/313
D830,756 S *	10/2018	Cahen	D7/306
D832,019 S *	10/2018	Cahen	D7/311
D836,371 S *	12/2018	Cahen	D7/311
D843,154 S *	3/2019	Büttler	D7/311
D940,490 S *	1/2022	Grob	D7/311

(**) Term: **15 Years**

FOREIGN PATENT DOCUMENTS

- (21) Appl. No.: **35/512,296**
- (22) Filed: **Jul. 14, 2021**

CA	205503	*	5/2022
CA	205504	*	5/2022
RU	00131167	*	5/2022
WO	D215395-001	*	7/2021

(80) **Hague Agreement Data**

Int. Filing Date: **Jul. 14, 2021**
 Int. Reg. No.: **DM/215395**
 Int. Reg. Date: **Jul. 14, 2021**
 Int. Reg. Pub. Date: **Jul. 30, 2021**

* cited by examiner

Primary Examiner — S. Bryan Reinholdt, Jr.
 (74) *Attorney, Agent, or Firm* — Volpe Koenig

- (51) **LOC (14) Cl.** **07-01**
- (52) **U.S. Cl.**
USPC **D7/306**

(57) **CLAIM**

The ornamental design for a coffee maker, as shown and described.

- (58) **Field of Classification Search**
USPC D7/300, 304, 306–311, 312; D30/131
CPC A47J 31/46; A47J 31/407; A23L 2/54
See application file for complete search history.

DESCRIPTION

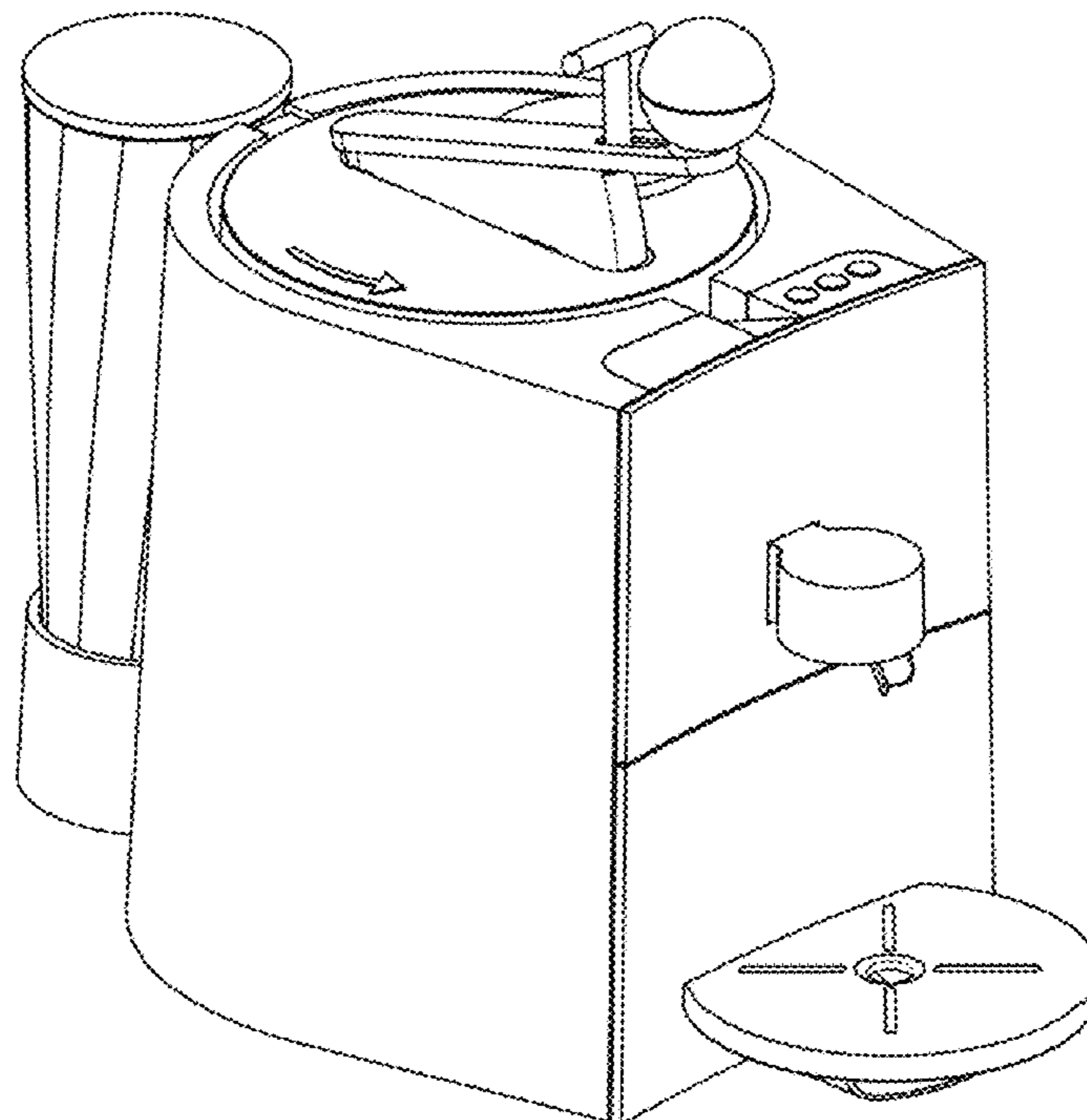
- 1. Coffee maker
- 1.1 : Perspective
- 1.2 : Front
- 1.3 : Back
- 1.4 : Right
- 1.5 : Left
- 1.6 : Top
- 1.7 : Bottom

(56) **References Cited**

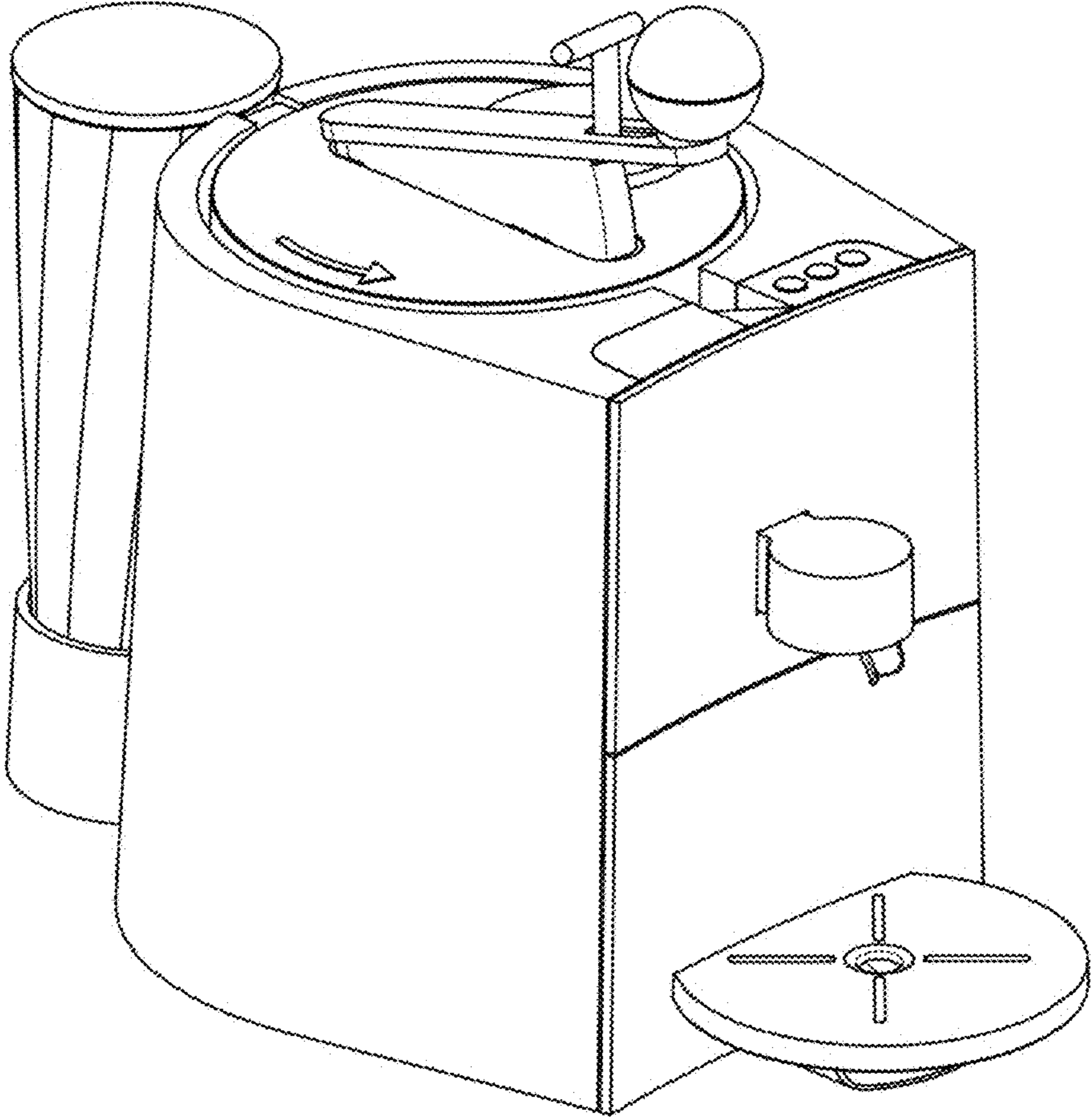
U.S. PATENT DOCUMENTS

D419,362 S *	1/2000	Bouhuys	D7/311
D450,214 S *	11/2001	Woebcke	D7/311
D540,608 S *	4/2007	Cahen	D7/311

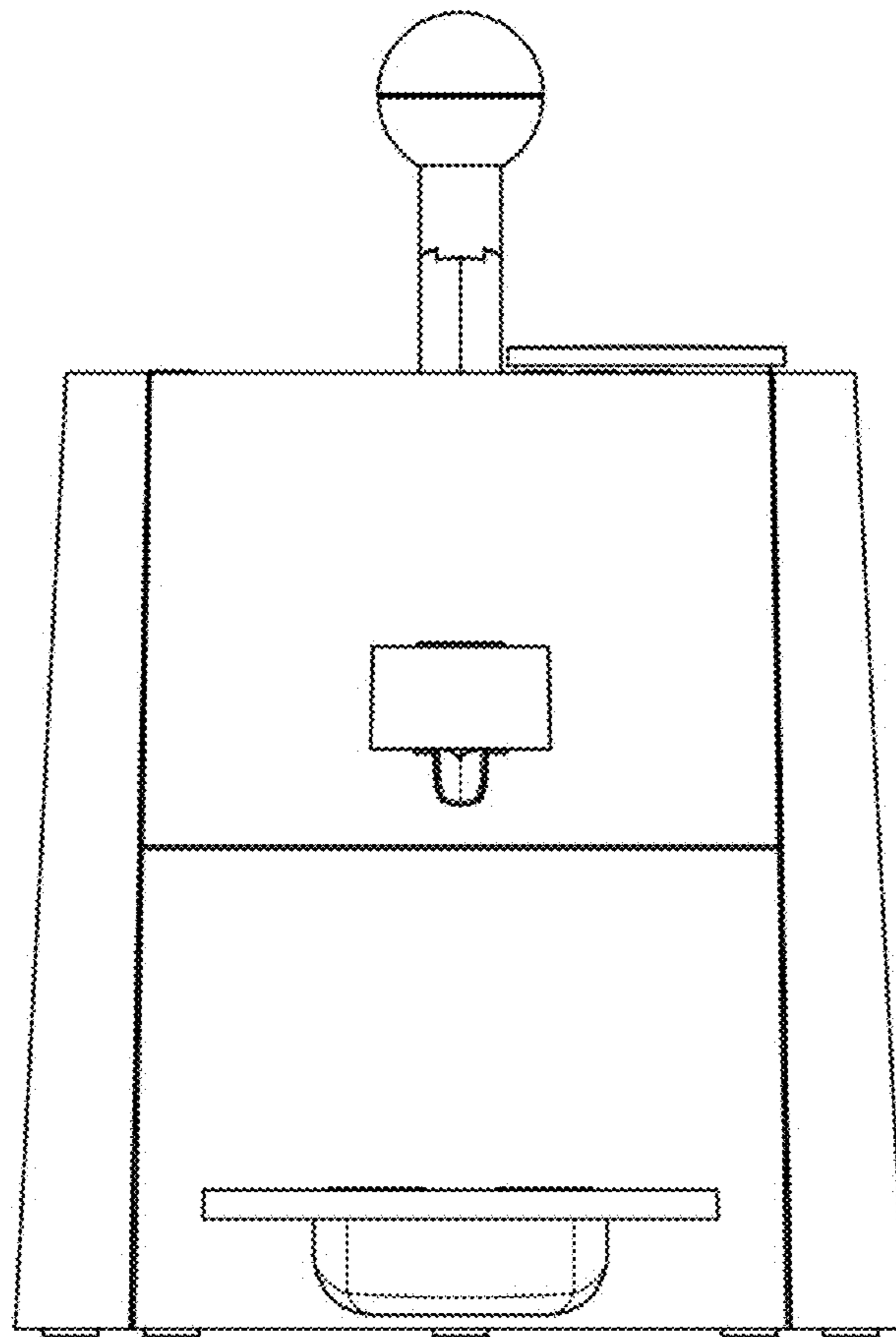
1 Claim, 7 Drawing Sheets



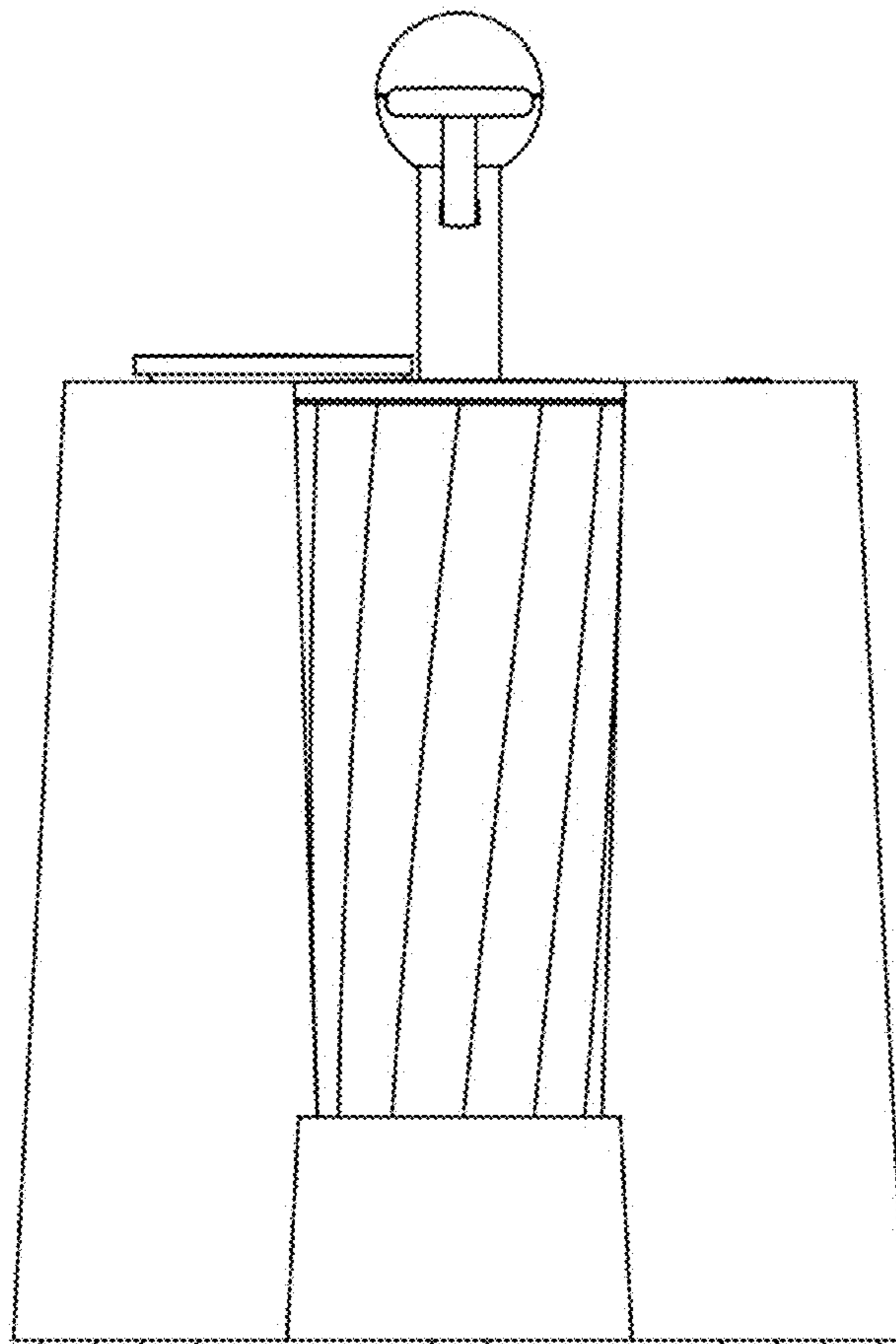
1.1



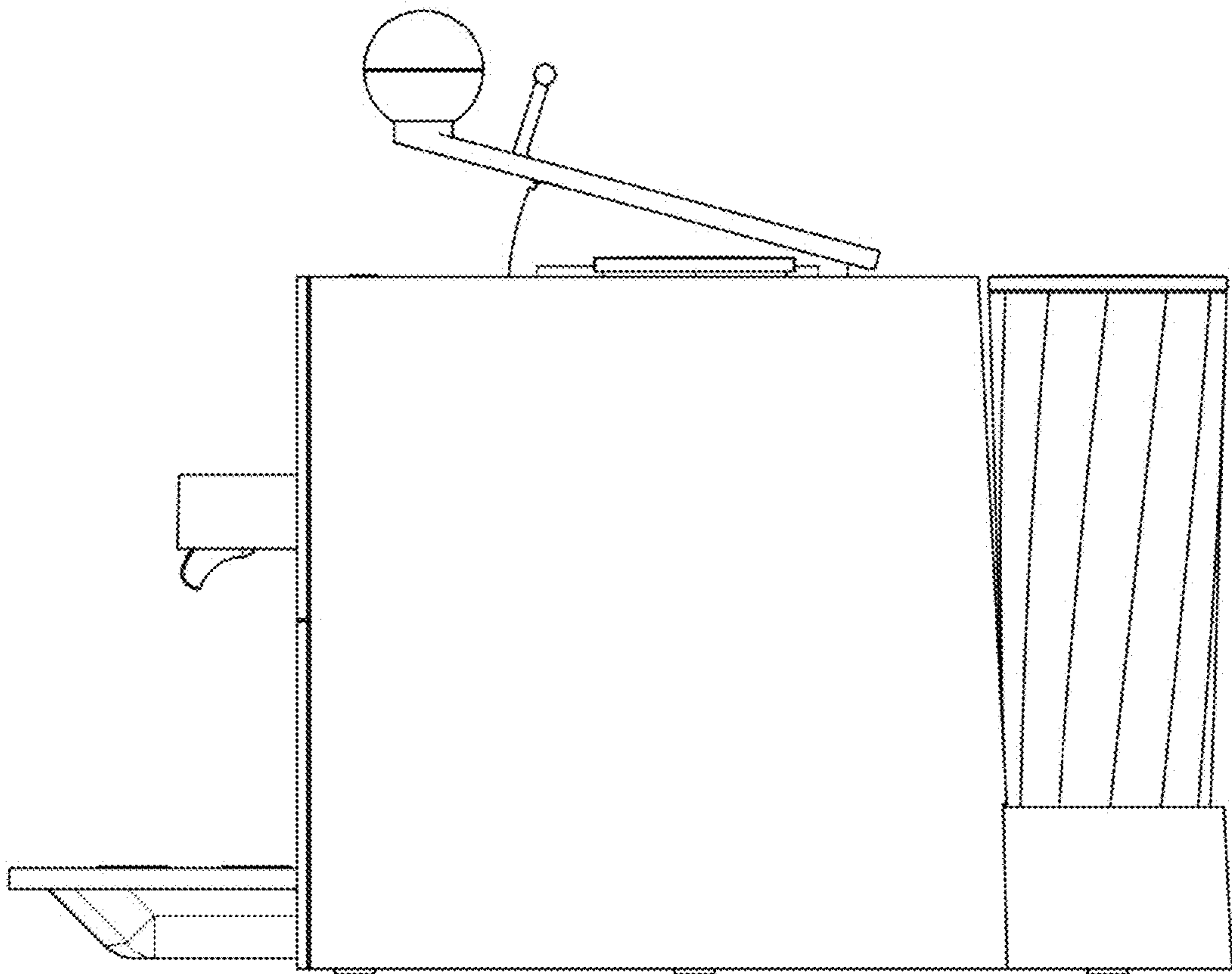
1.2



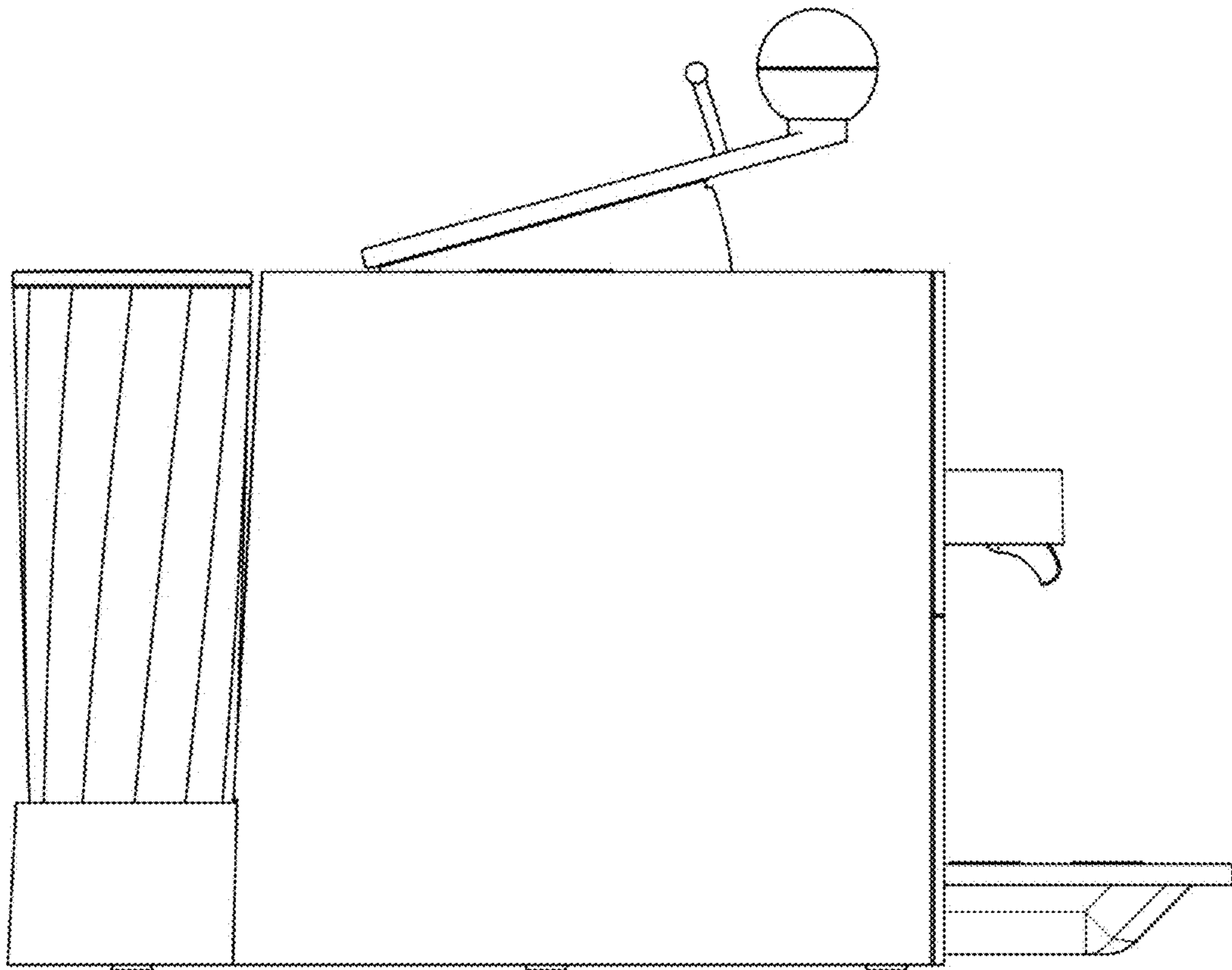
1.3



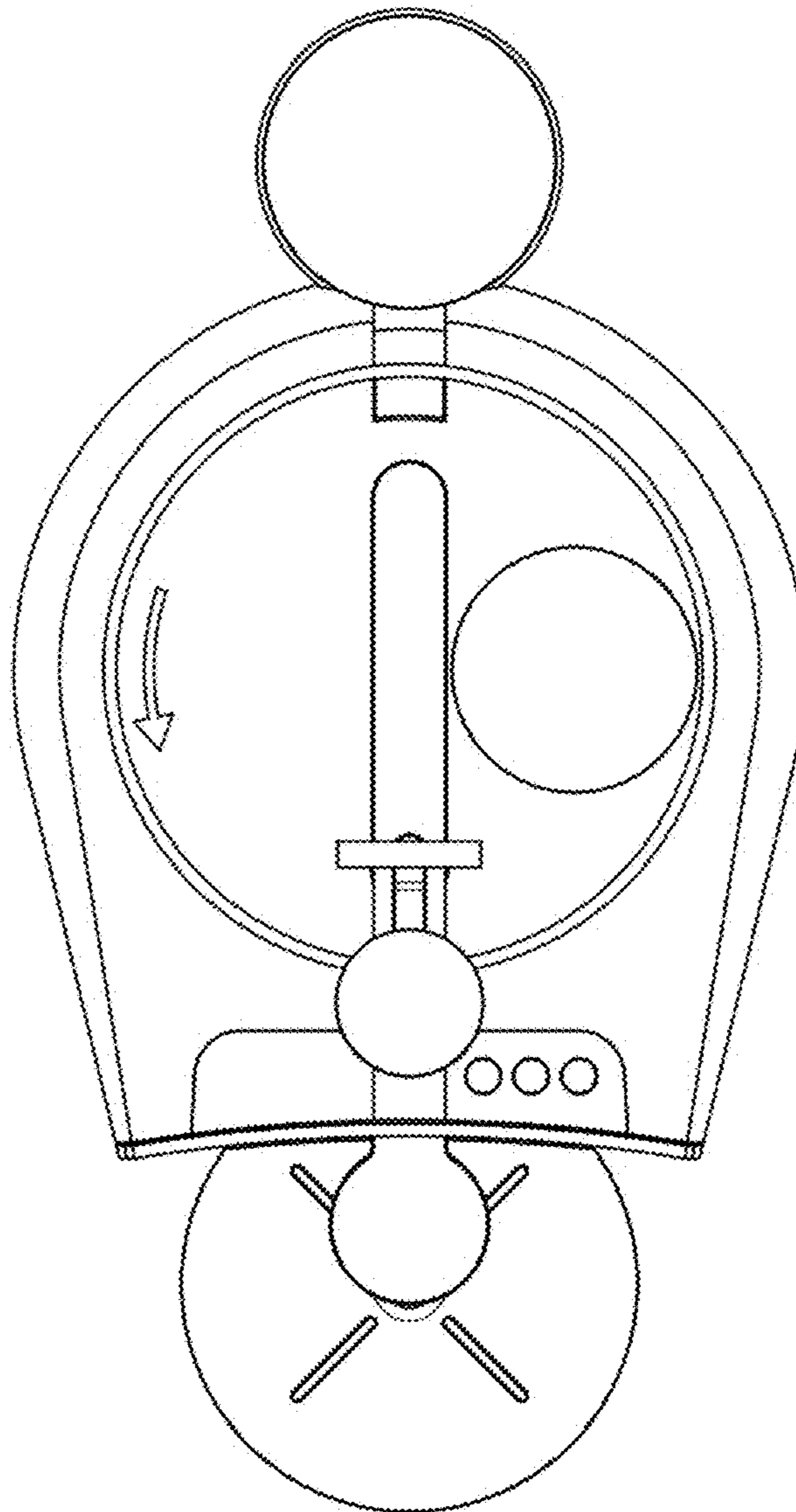
1.4



1.5



1.6



1.7

