



US00D976041S

(12) **United States Design Patent**
Withey

(10) **Patent No.:** **US D976,041 S**

(45) **Date of Patent:** **** Jan. 24, 2023**

(54) **COFFEE MAKER STAND**

(71) Applicant: **Charles Withey**, Scottsdale, AZ (US)

(72) Inventor: **Charles Withey**, Scottsdale, AZ (US)

(**) Term: **15 Years**

(21) Appl. No.: **29/746,677**

(22) Filed: **Aug. 16, 2020**

(51) **LOC (14) Cl.** **07-01**

(52) **U.S. Cl.**

USPC **D7/306**; D7/311; D6/542

(58) **Field of Classification Search**

USPC D7/305–311, 300, 313, 397; 99/295,
99/323.1, 305, 307, 279, 284, 304, 306,
99/308–312, 316; 222/129.1, 185.1;
D15/81, 82; D6/542

CPC A47J 31/44; A47J 31/4403; A47J 31/46;
A47J 31/4482; A47J 31/407; A47J
31/0615; A47J 31/043; A47J 31/057;
A47J 31/10; B67D 1/00; B67D 1/0888;
B67D 3/0061

See application file for complete search history.

(56) **References Cited**

U.S. PATENT DOCUMENTS

D153,939 S *	5/1949	Gunther	D7/311
D168,802 S *	2/1953	Newman, Jr. et al.	D7/311
D181,266 S *	10/1957	Alvarez	D7/354
D201,949 S *	8/1965	Bloomfield	D7/309
D289,726 S *	5/1987	Greutert	D7/400
D322,010 S *	12/1991	Doggett	D10/2
D440,458 S *	4/2001	Ohu	D7/300
D501,750 S *	2/2005	DeMore	D7/311
D541,572 S *	5/2007	Watanabe	D7/313
D556,499 S *	12/2007	Green	D7/313
D564,273 S *	3/2008	Yang	D6/542
D593,784 S *	6/2009	Chan	D6/542
7,770,512 B2	8/2010	Albrecht		
D626,365 S *	11/2010	Yang	D6/542

D634,394 S *	3/2011	Whitman	D23/201
D659,452 S *	5/2012	Yang	D6/542
D661,531 S *	6/2012	Tompkin	D6/542
D663,983 S *	7/2012	Yang	D6/542
D689,329 S *	9/2013	Nicholls	D7/397
D698,248 S *	1/2014	Lambrecht	D9/575
D711,933 S *	8/2014	Hollinger	D15/82
9,032,866 B2	5/2015	White et al.		

(Continued)

FOREIGN PATENT DOCUMENTS

CA	58464	*	3/1987
CN	303361374	*	9/2015

OTHER PUBLICATIONS

Moccamaster [online] URL: <https://www.williams-sonoma.com/products/technivorm-moccamaster-10-cup-glass-coffee-maker/> (site visited: Oct. 5, 2022) (Year: 2019).*

(Continued)

Primary Examiner — Jae Liang
Assistant Examiner — Tia Ruth-Renee Polidori
(74) *Attorney, Agent, or Firm* — Mark V. Loen

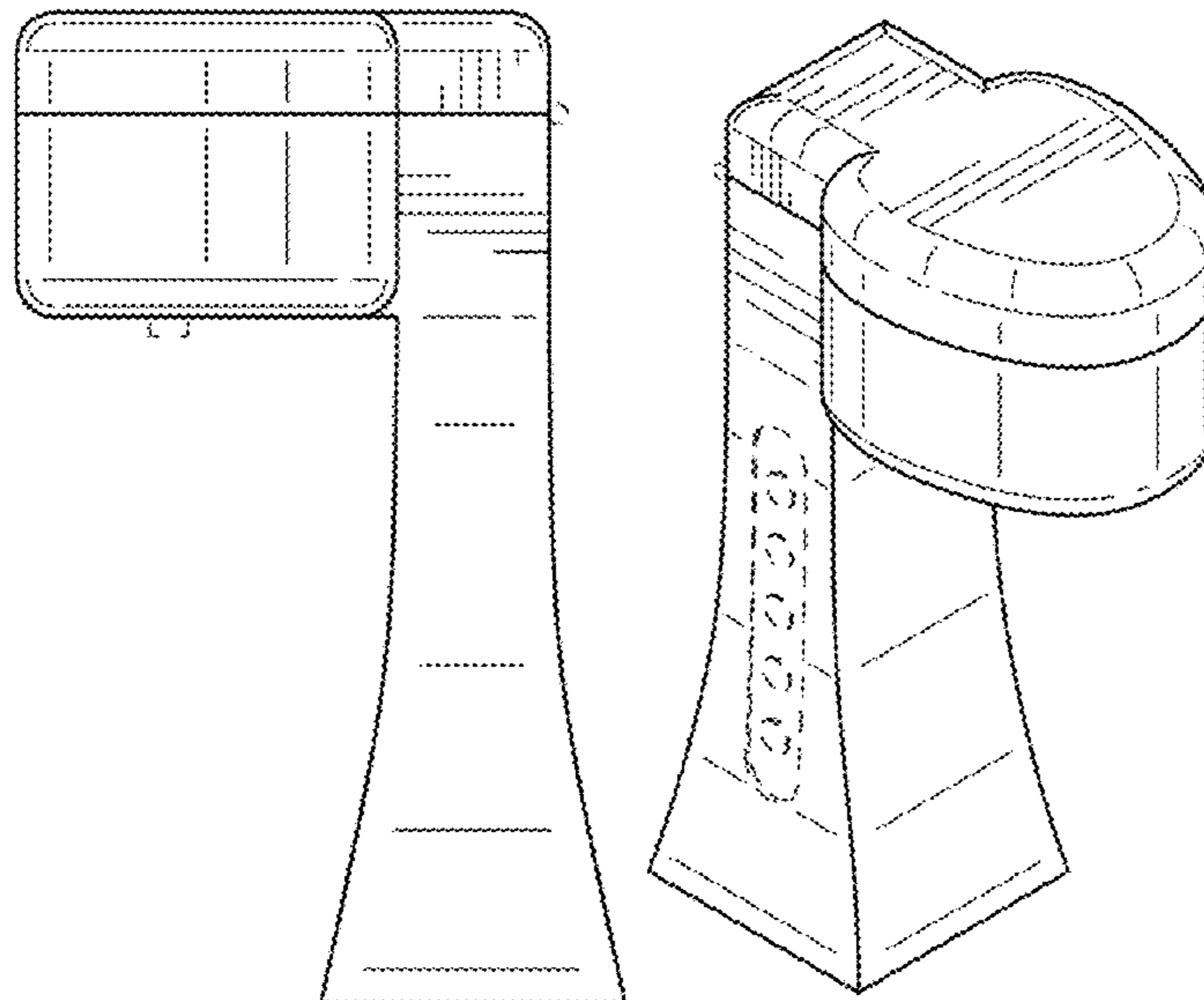
(57) **CLAIM**

The coffee maker stand, as shown and described.

DESCRIPTION

FIG. 1 is a front view of a coffee maker stand;
FIG. 2 is a right side view thereof;
FIG. 3 is a top view thereof;
FIG. 4 is a back side view thereof;
FIG. 5 is a bottom view thereof;
FIG. 6 is a left side view thereof; and,
FIG. 7 is an isometric view thereof.
The features drawn in broken lines in FIGS. 1 through 7 show an unclaimed hinge, dispensing tube, and inset buttons associated with the coffee maker stand in a condition of use.

1 Claim, 4 Drawing Sheets



(56)

References Cited

U.S. PATENT DOCUMENTS

D738,664 S * 9/2015 Cha D7/301
 D793,762 S * 8/2017 Yuan D6/542
 D834,869 S * 12/2018 Ljungh D7/311
 D853,748 S * 7/2019 Zou D6/542
 D869,217 S * 12/2019 Stropkay D7/665
 D879,534 S * 3/2020 Donaghey D7/311
 D883,005 S * 5/2020 Takahashi D7/313
 D897,721 S * 10/2020 Jia D6/542
 D899,840 S * 10/2020 Hellweg D7/397
 D906,723 S * 1/2021 Chen D6/542
 D911,739 S * 3/2021 Zhao D6/542
 D922,816 S * 6/2021 Marshall D7/378
 D948,905 S * 4/2022 Donaghey D7/306
 D952,367 S * 5/2022 Li D6/542
 D953,772 S * 6/2022 Kuang D6/542
 D968,123 S * 11/2022 Jing D6/542
 2013/0019755 A1 * 1/2013 Tien A47J 31/02
 99/279
 2020/0247655 A1 * 8/2020 Taylor B67D 1/0431

OTHER PUBLICATIONS

Chefman [online] URL: <https://chefman.com/collections/coffee-makers-1/products/instacoffee-max-single-serve-brewer> (site visited: Oct. 5, 2022) (Year: 2022).*

Lowes [online] URL: <https://www.lowes.com/pd/Mondawe-Portable-Coffee-Maker-for-Ground-Coffee-and-Coffee-Portable-Coffee-Maker-for-Ground-Coffee-and-Coffee-Capsule-Black/5013052263> (site visited: Oct. 5, 2022) (Year: 2022).*

Mr Coffee [online] URL: <https://www.target.com/p/mr-coffee-iced-coffee-maker-with-22oz-reusable-tumbler-and-coffee-filter/-/A-81280310>(site visited: Oct. 5, 2022) (Year: 2022).*

Vimukun [online] URL: <https://www.walmart.com/ip/Vimukun-Single-Serve-Coffee-Maker-Brewer-Compatible-K-Cup-Cup-Capsule-Makers-6-14oz-Reservoir-Mini-Size/1795693236> (site visited: Oct. 5, 2022) (Year: 2022).*

Wincous [online] URL: <https://www.wincous.com/product/automatic-hand-sanitizer-table-countertop-dispenser/> (site visited: Oct. 5, 2022) (Year: 2022).*

Toastmaster [online] URL: <https://selectbrands.com/single-serve-dual-brew-coffee-maker-1/> (site visited: Nov. 16, 2022) (Year: 2022).*

Kitchen Selectives [online] URL: <https://www.belk.com/p/kitchen-selectives-14-ounce-k-cup-coffee-maker/0438689086082.html> (site visited: Nov. 16, 2022) (Year: 2022).*

Shop_Keurig_K-Mini_Single_Serve_K-Cup_Pod_Coffee_Maker_Black.pdf.

* cited by examiner

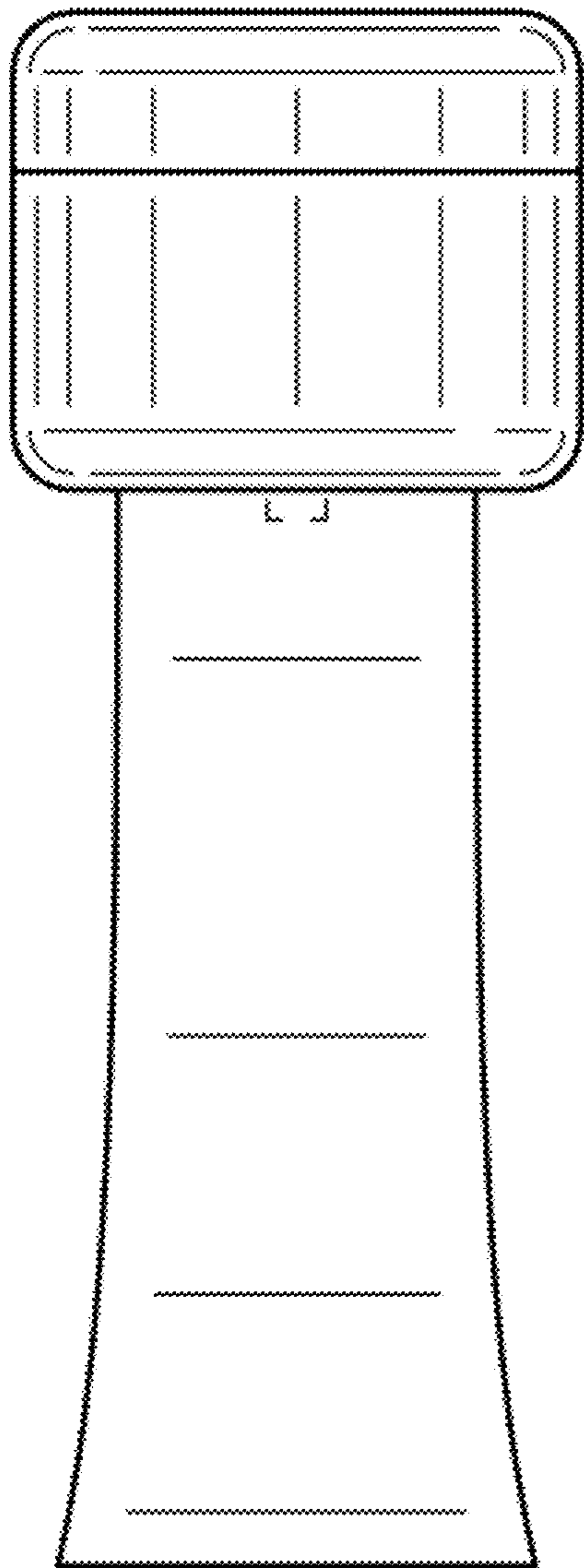


FIG. 1

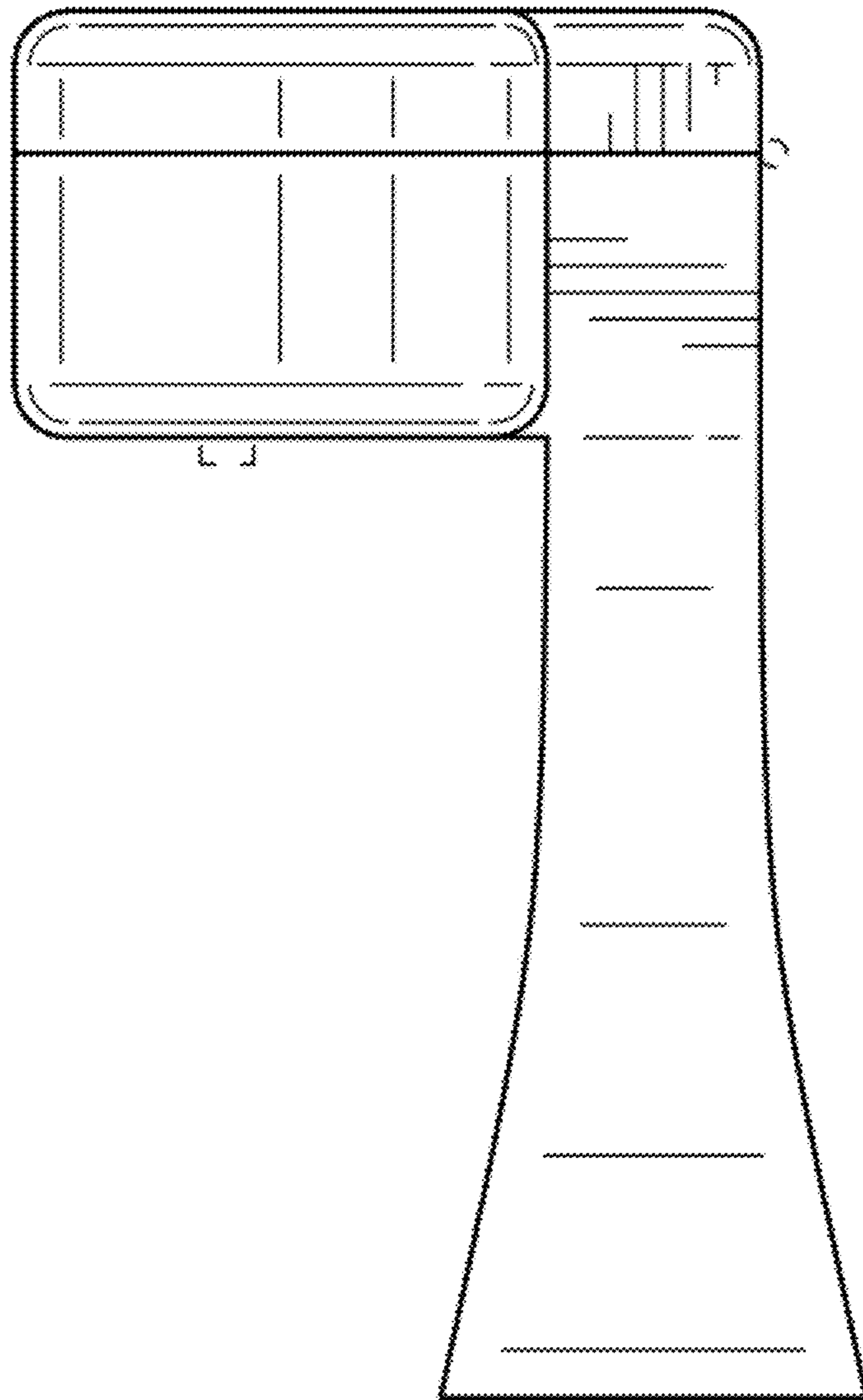


FIG. 2

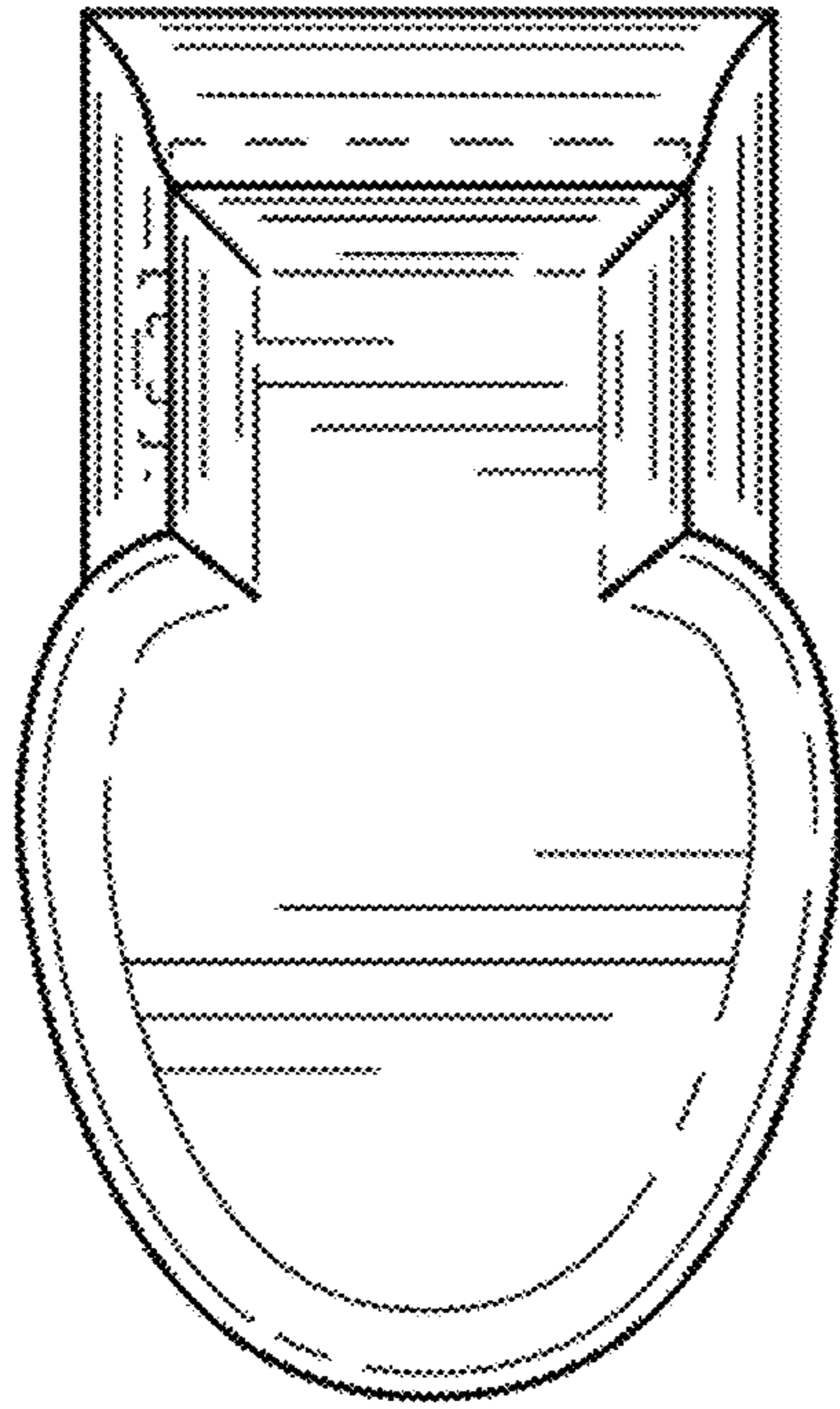


FIG. 3

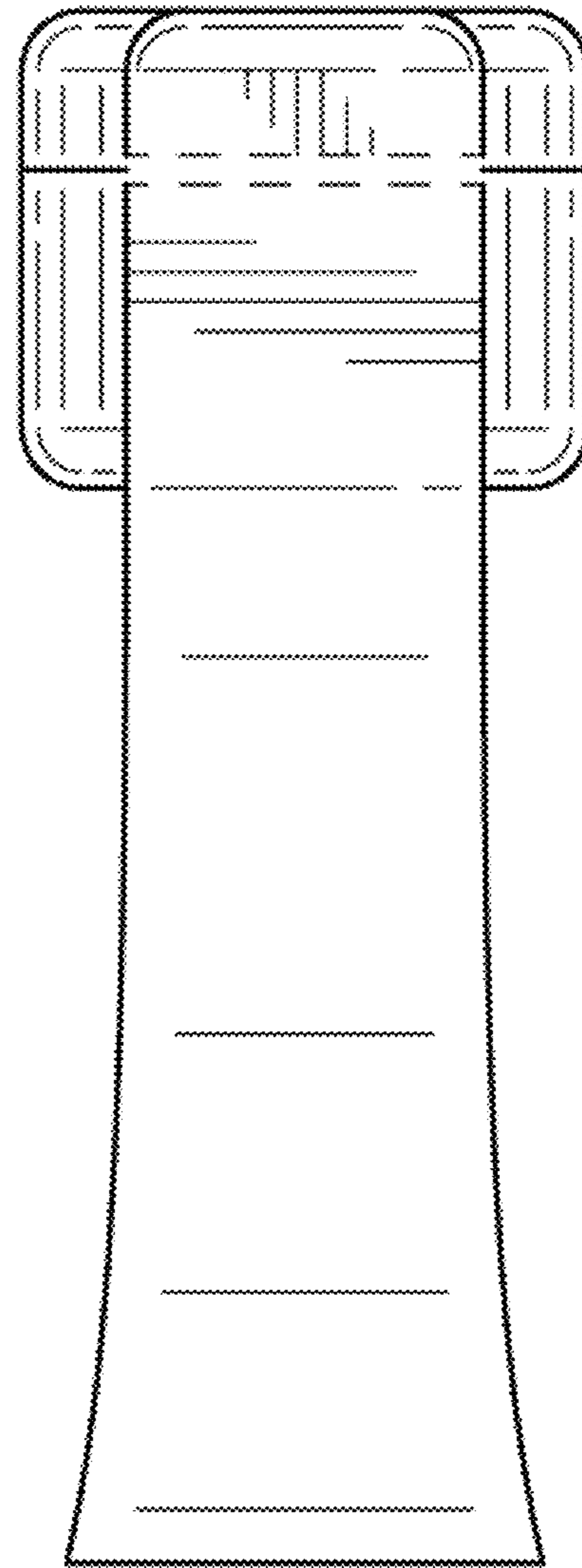


FIG. 4

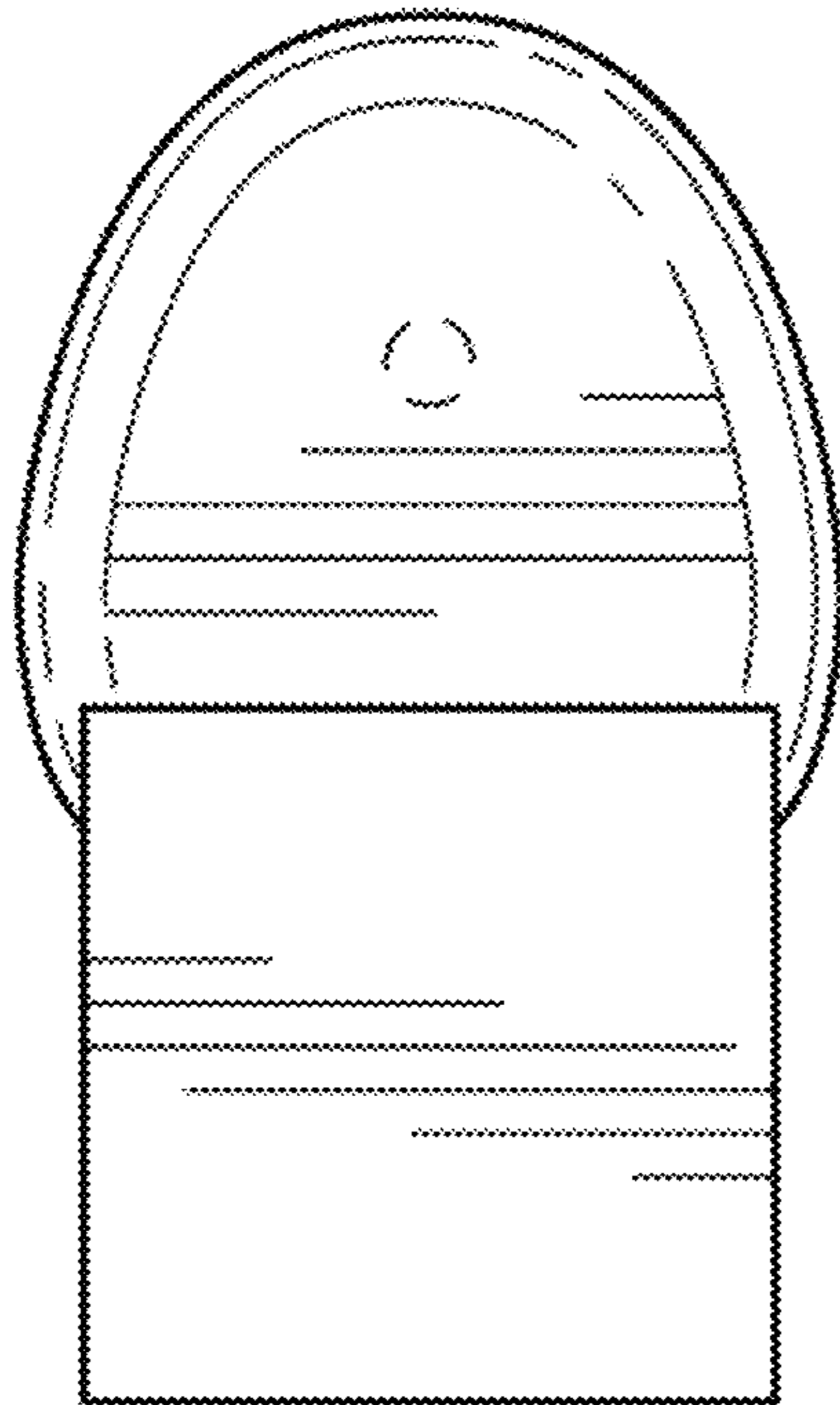


FIG. 5

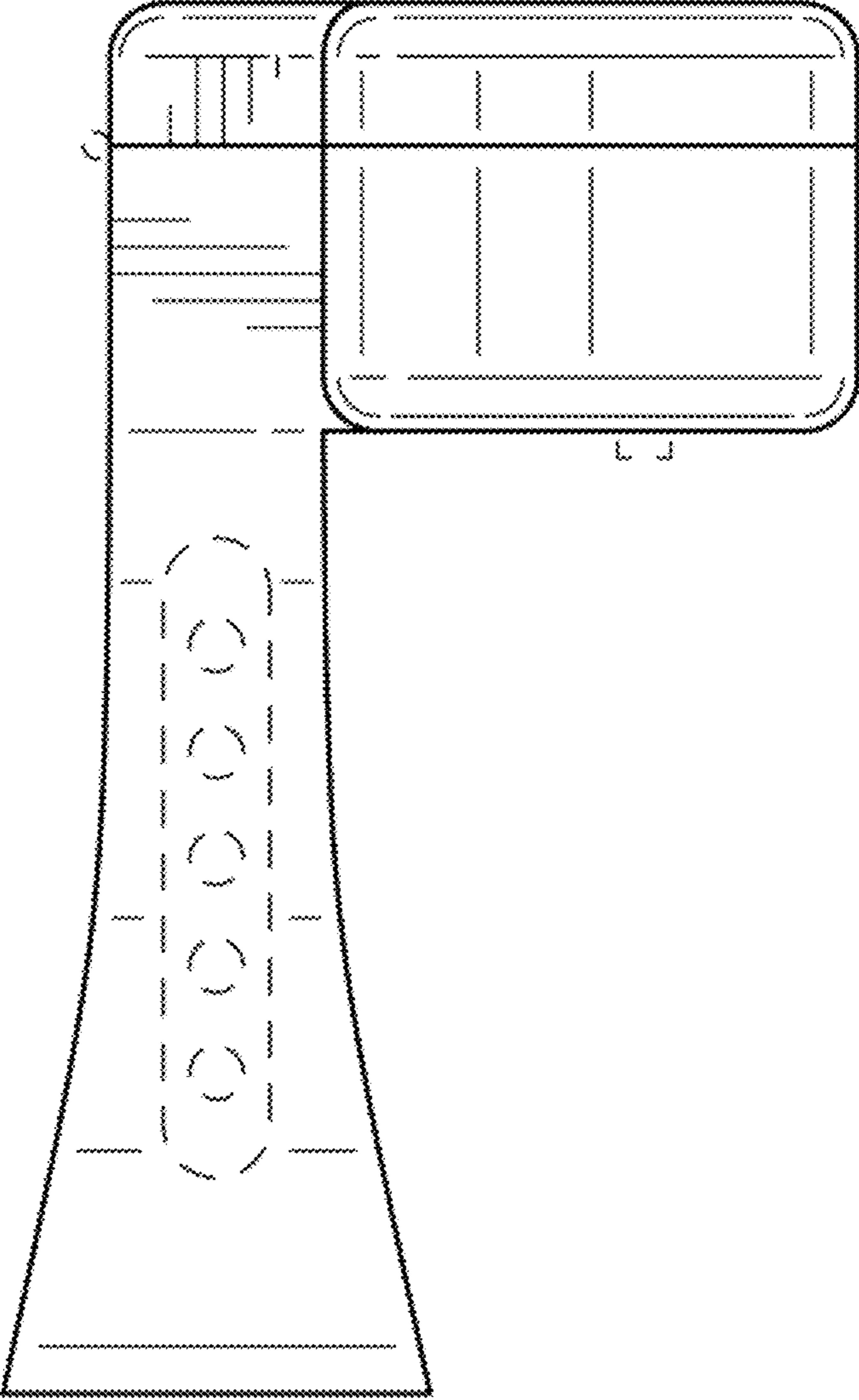


FIG. 6

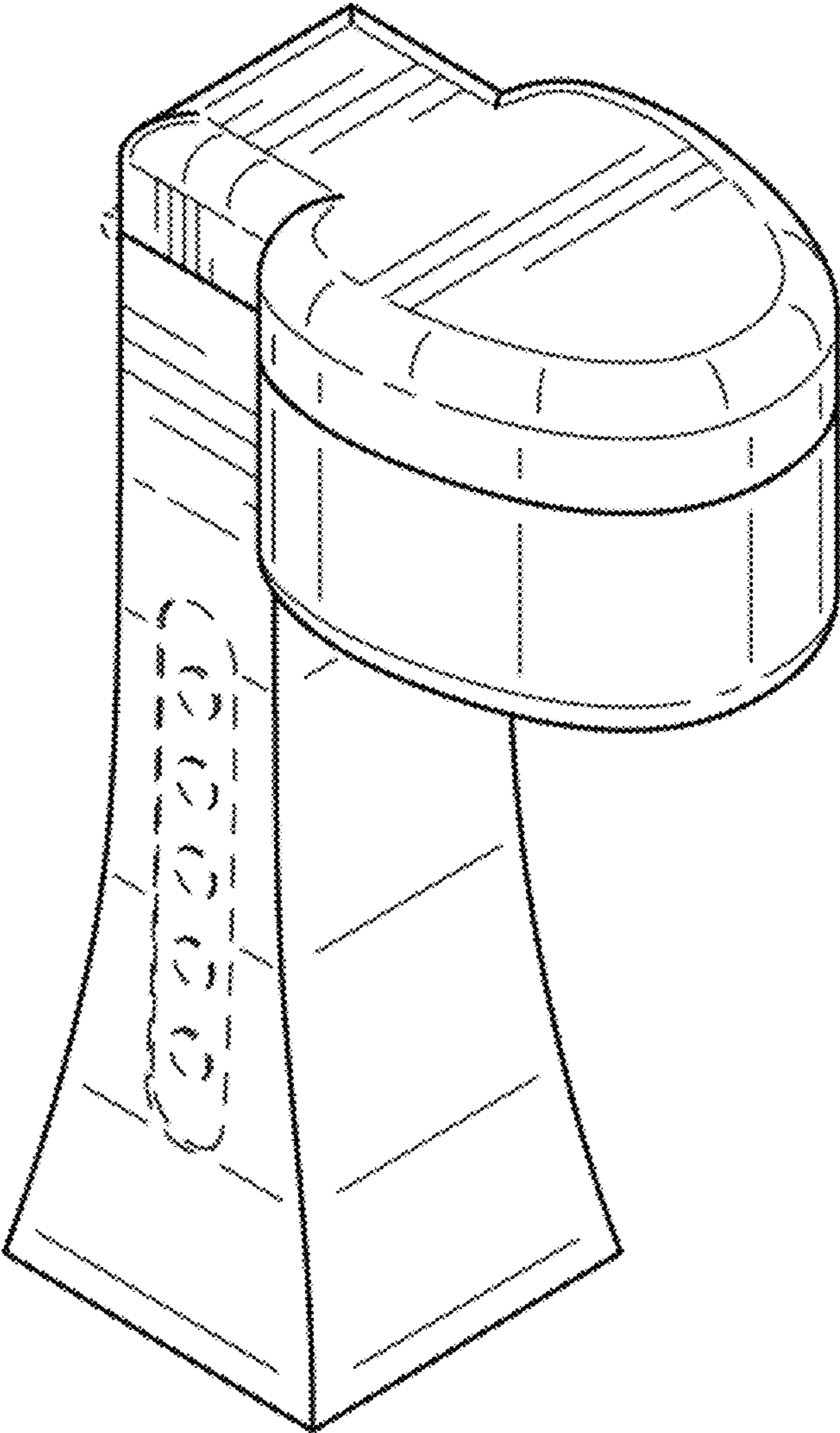


FIG. 7