



US00D976039S

(12) **United States Design Patent**
Valcárcel et al.

(10) **Patent No.: US D976,039 S**
(45) **Date of Patent: ** Jan. 24, 2023**

(54) **BENCH**
(71) Applicant: **URBIDERMIS, S.L.**, La Roca del Vallès (ES)
(72) Inventors: **Gonzalo Milà Valcárcel**, Barcelona (ES); **Miguel Milà Sagnier**, Barcelona (ES)
(**) Term: **15 Years**
(21) Appl. No.: **35/511,962**
(22) Filed: **May 12, 2021**

6,189,965 B1 * 2/2001 Hecht A47C 7/70
297/124
D439,422 S * 3/2001 Hecht A47C 13/00
D6/338
6,231,121 B1 * 5/2001 Chrisco A47B 85/04
297/124
6,241,312 B1 * 6/2001 Watts A47C 11/00
297/125
D465,936 S * 11/2002 Arnold D6/349
D470,666 S * 2/2003 Peloquin D6/336
6,659,543 B2 * 12/2003 McCutcheon A47B 85/04
297/127
D510,199 S * 10/2005 Messier D6/381
D512,229 S * 12/2005 Reza-Hadden D6/381
D523,263 S * 6/2006 Skalka D6/717
D525,809 S * 8/2006 Hughes D6/717

(Continued)

(80) **Hague Agreement Data**

Int. Filing Date: **May 12, 2021**
Int. Reg. No.: **DM/214437**
Int. Reg. Date: **May 12, 2021**
Int. Reg. Pub. Date: **Jun. 4, 2021**

Primary Examiner — Steven J Czyz

(74) *Attorney, Agent, or Firm* — McCormick, Paulding & Huber, PLLC

(51) **LOC (14) Cl.** **06-01**

(52) **U.S. Cl.**
USPC **D6/717**

(57) **CLAIM**

The ornamental design for a bench, as shown and described.

(58) **Field of Classification Search**

USPC D6/334, 349, 355, 370, 371, 372, 373, D6/379, 380, 381, 702, 716, 717
CPC A47C 11/00; A47C 13/00; A47C 13/005; A47C 7/16; A47C 4/03; A47C 4/025
See application file for complete search history.

DESCRIPTION

- 1. Bench
- 1.1 : Perspective View
- 1.2 : Rear View
- 1.3 : Right Side View
- 1.4 : Top View
- 1.5 : Left Side View
- 1.6 : Bottom View
- 1.7 : Front View
- 1.8 : Cross sectional View

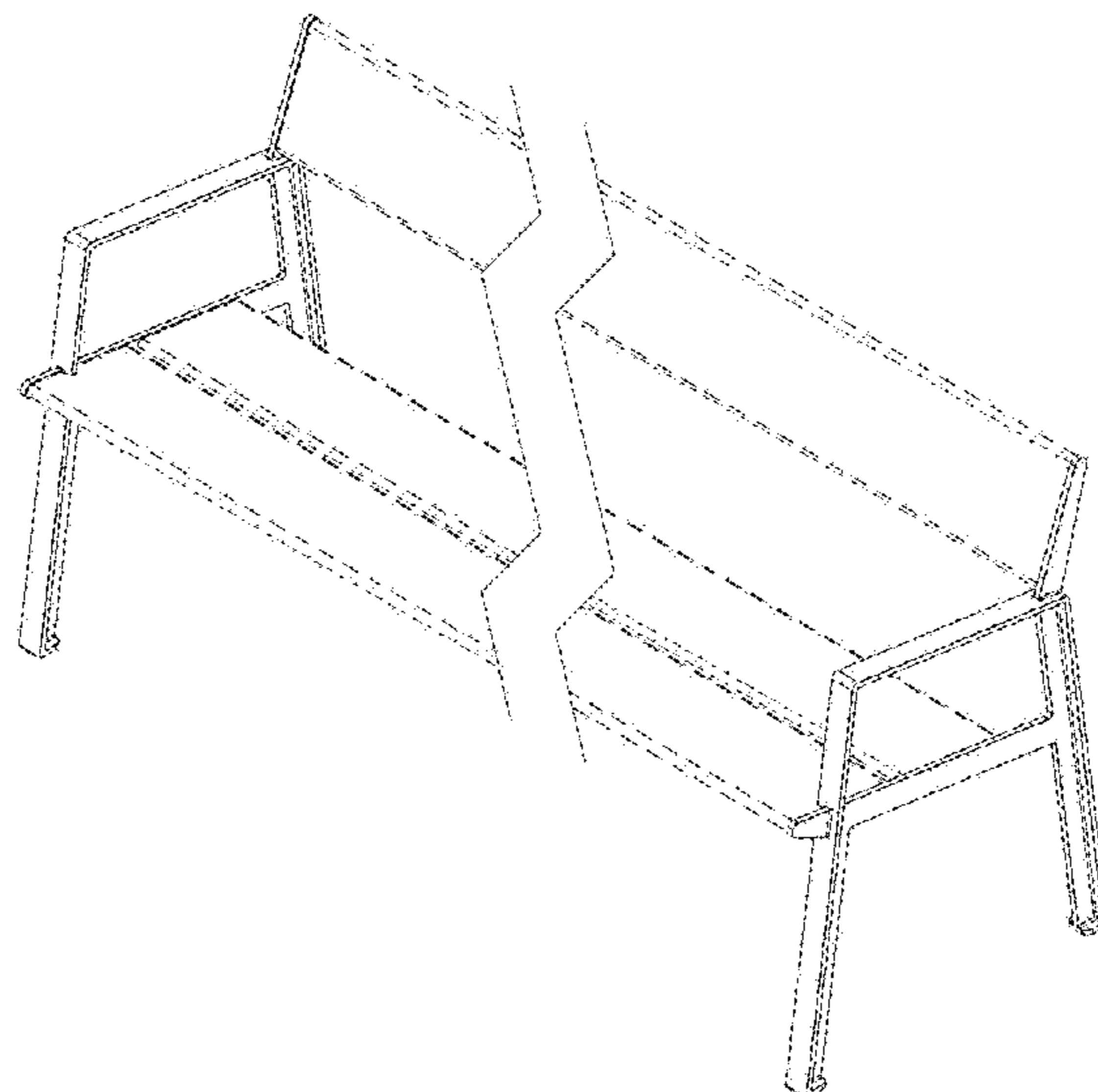
The portions of the bench shown in broken lines form no part of the claimed design; the bench is shown with a break in its width that indicates the indeterminate length or width of the design; the appearance of any portion of the article between the break lines forms no part of the design; figure 1.8 shows a section cut along plane 1.8 of Figure 1.3.

(56) **References Cited**

U.S. PATENT DOCUMENTS

4,194,784 A * 3/1980 Dostal A47C 13/00
297/126
4,615,559 A * 10/1986 Blondeau A47C 7/70
297/169
D296,961 S * 8/1988 Norton D6/373
D303,877 S * 10/1989 Norton D6/349
D387,915 S * 12/1997 Saban D6/381
D419,004 S * 1/2000 Collins D6/717
D435,736 S * 1/2001 Chrisco D6/338

1 Claim, 8 Drawing Sheets



(56)

References Cited

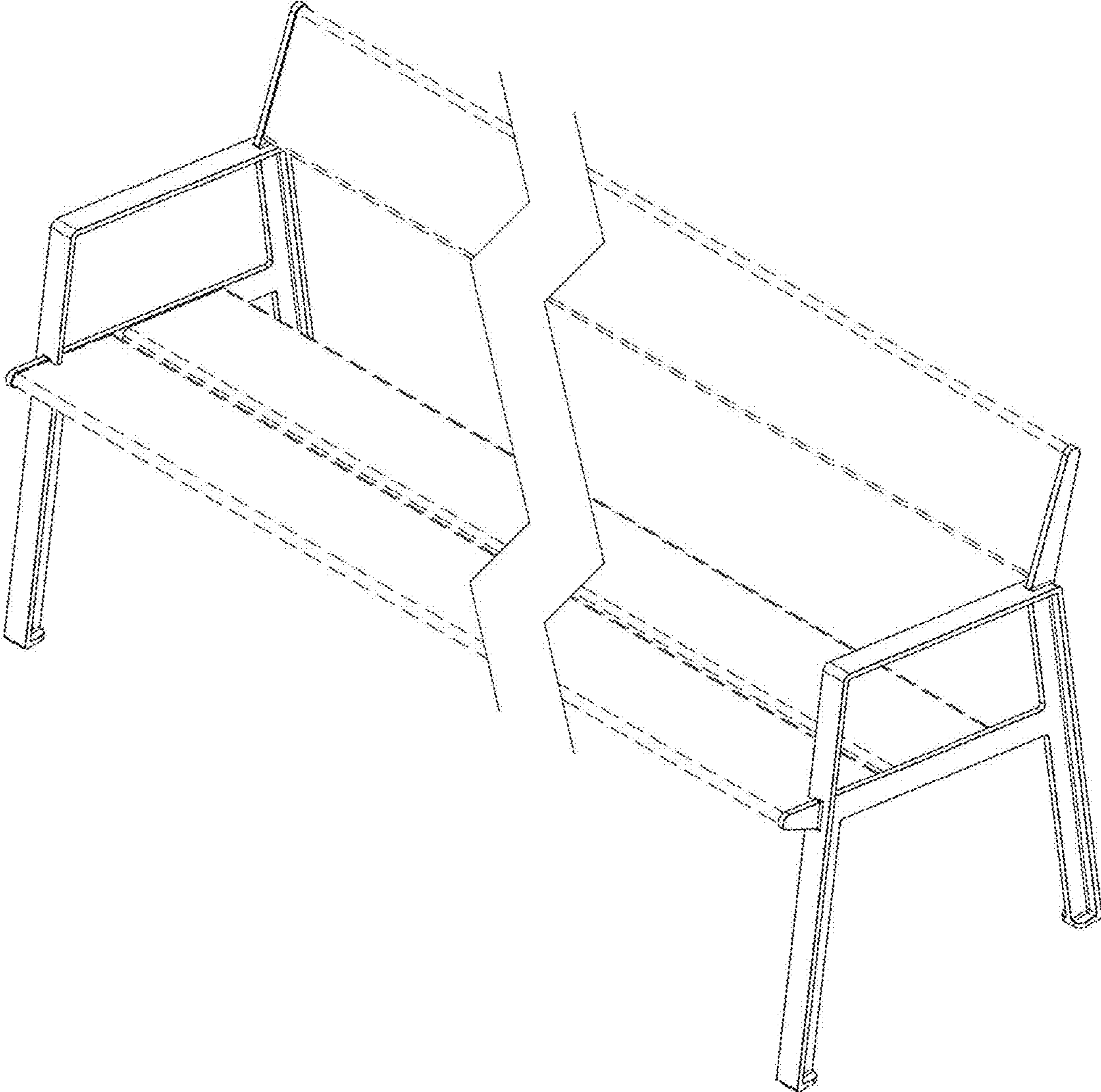
U.S. PATENT DOCUMENTS

D529,736 S * 10/2006 McCurry D6/717
 D537,265 S * 2/2007 McCurry D6/381
 D572,048 S * 7/2008 Weimer D6/717
 D572,947 S * 7/2008 Weimer D6/717
 D574,639 S * 8/2008 Weimer D6/717
 D585,220 S * 1/2009 Skalka D6/717
 D599,570 S * 9/2009 Skalka D6/355
 D615,765 S * 5/2010 Chan D6/381
 D632,104 S * 2/2011 Marousek D6/717
 D648,157 S * 11/2011 McCurry D6/717
 D659,415 S * 5/2012 Soto D6/355
 D680,346 S * 4/2013 Pedersen D6/370
 D689,320 S * 9/2013 Watton D6/717
 D710,139 S * 8/2014 Skalka D6/717
 D710,625 S * 8/2014 Skalka D6/370
 D711,176 S * 8/2014 Skalka D6/717
 D714,561 S * 10/2014 Lange D6/349
 D717,558 S * 11/2014 Bougay D6/370
 D720,941 S * 1/2015 Mila Valcarcel D6/370
 D724,341 S * 3/2015 Mila Valcarcel D6/370
 D726,473 S * 4/2015 Skalka D6/717
 D747,906 S * 1/2016 Paz D6/717

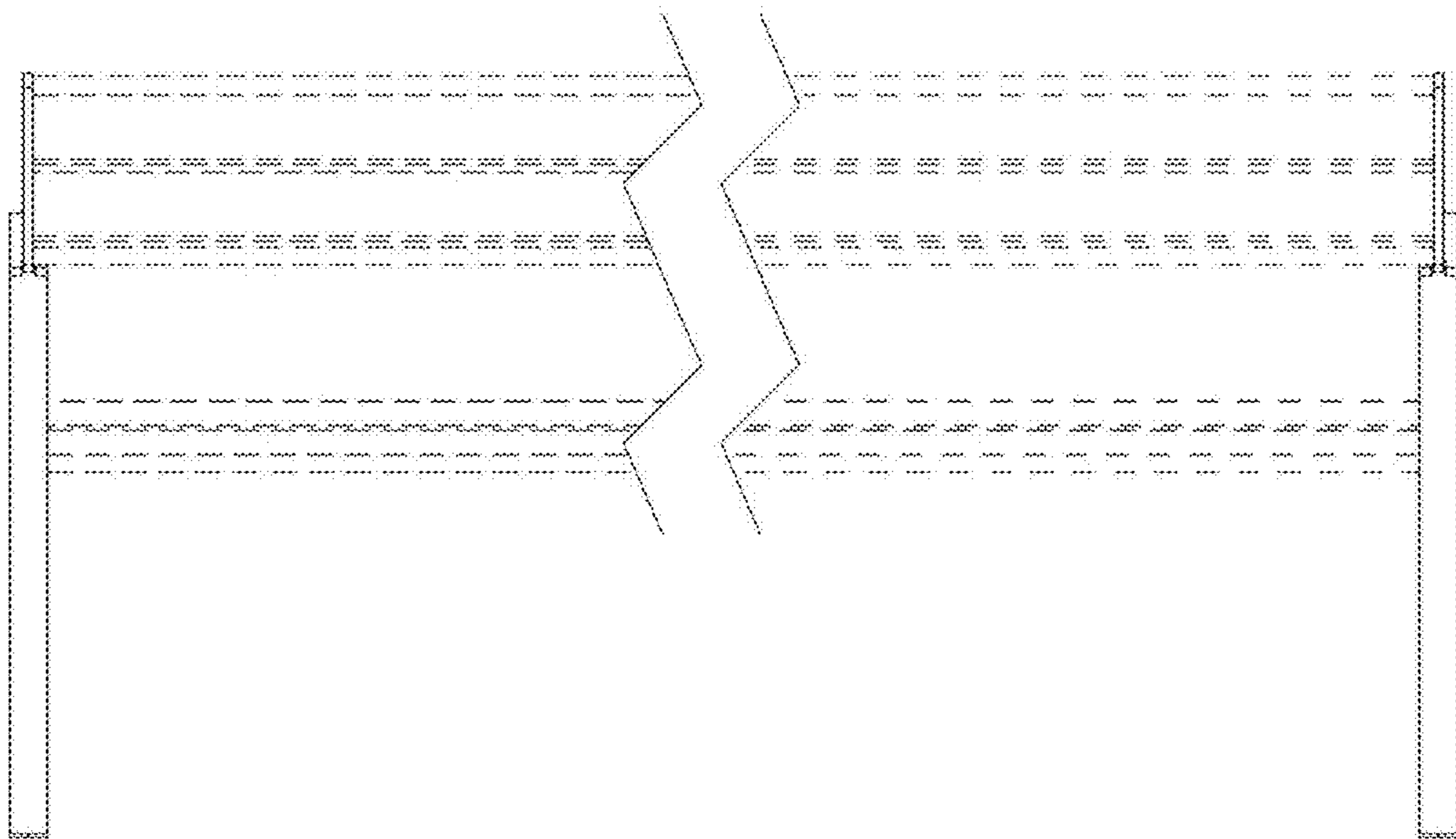
D748,422 S * 2/2016 Paz D6/717
 D769,014 S * 10/2016 Bougay D6/370
 D773,875 S * 12/2016 Gerard D6/717
 D785,354 S * 5/2017 Lin D6/370
 D791,525 S * 7/2017 Zdanius D6/717
 D794,971 S * 8/2017 Lawrence D6/370
 D796,859 S * 9/2017 Asner D6/370
 D798,073 S * 9/2017 Asner D6/349
 D798,076 S * 9/2017 Asner D6/370
 D815,849 S * 4/2018 Pontillas D6/370
 D819,381 S * 6/2018 Lee D6/717
 D832,606 S * 11/2018 Shemer D6/349
 D843,125 S * 3/2019 Pontillas D6/370
 D848,173 S * 5/2019 Shemer D6/370
 D875,457 S * 2/2020 Ramos D6/717
 D889,872 S * 7/2020 Zhao D6/370
 D891,127 S * 7/2020 Krusin D6/334
 D891,844 S * 8/2020 Lawrence D6/717
 D899,802 S * 10/2020 Slaughenhaupt D6/370
 D928,520 S * 8/2021 Norton D6/335
 D937,596 S * 12/2021 Kong D6/370
 D938,750 S * 12/2021 Asner D6/370
 D941,068 S * 1/2022 Chipman D6/709
 2014/0152069 A1 * 6/2014 Codina A47C 11/00
 297/446.1

* cited by examiner

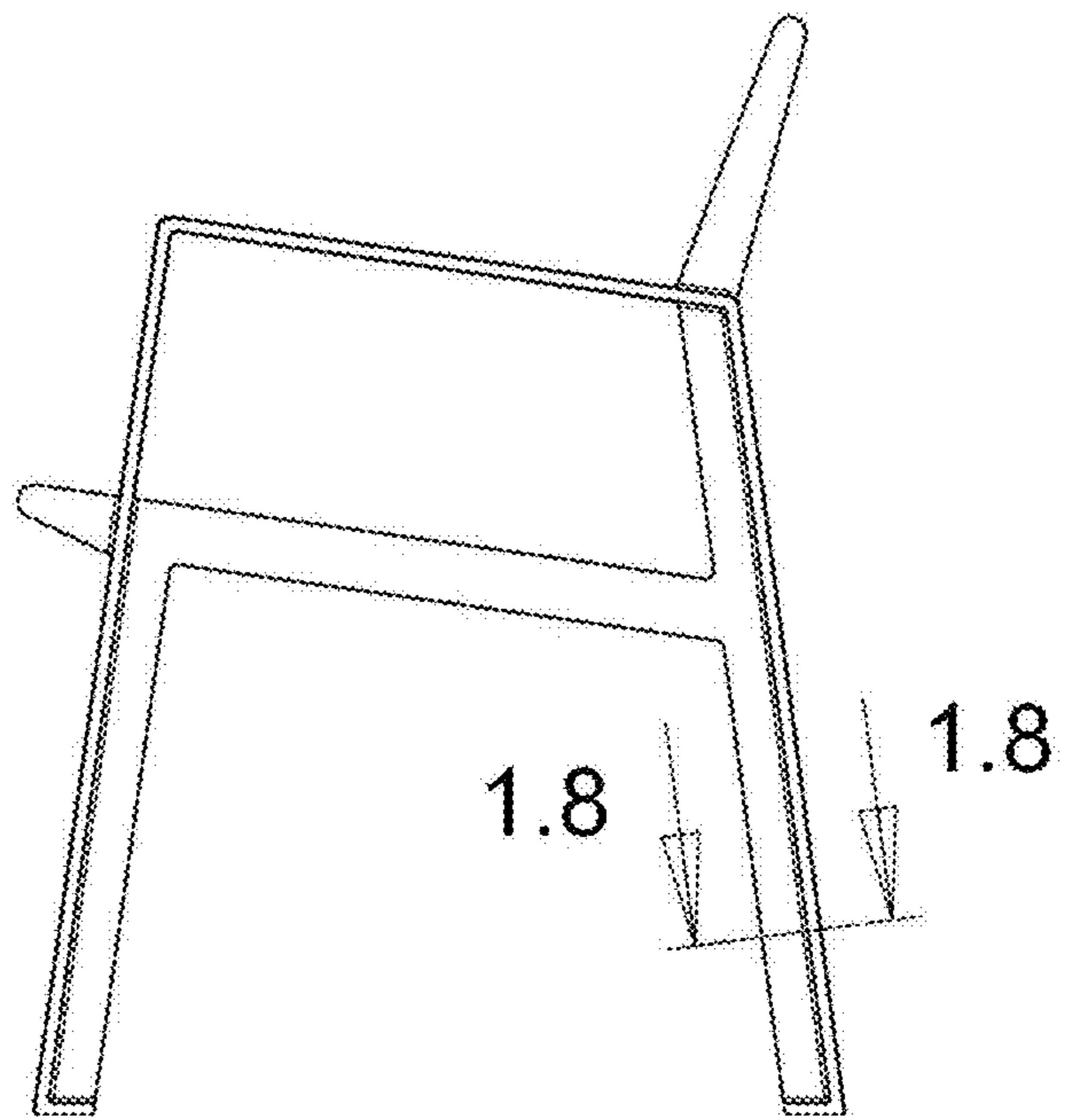
1.1



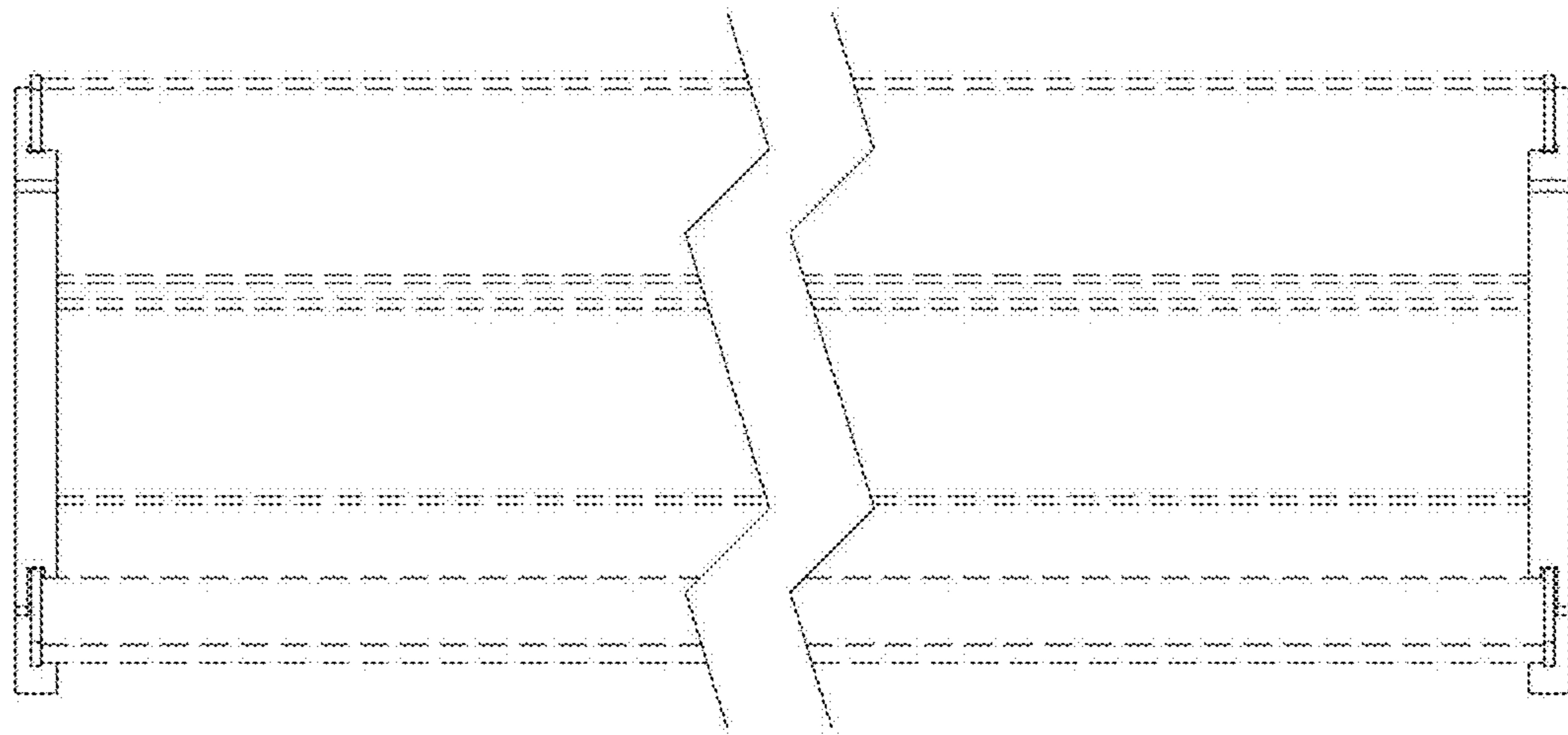
1.2



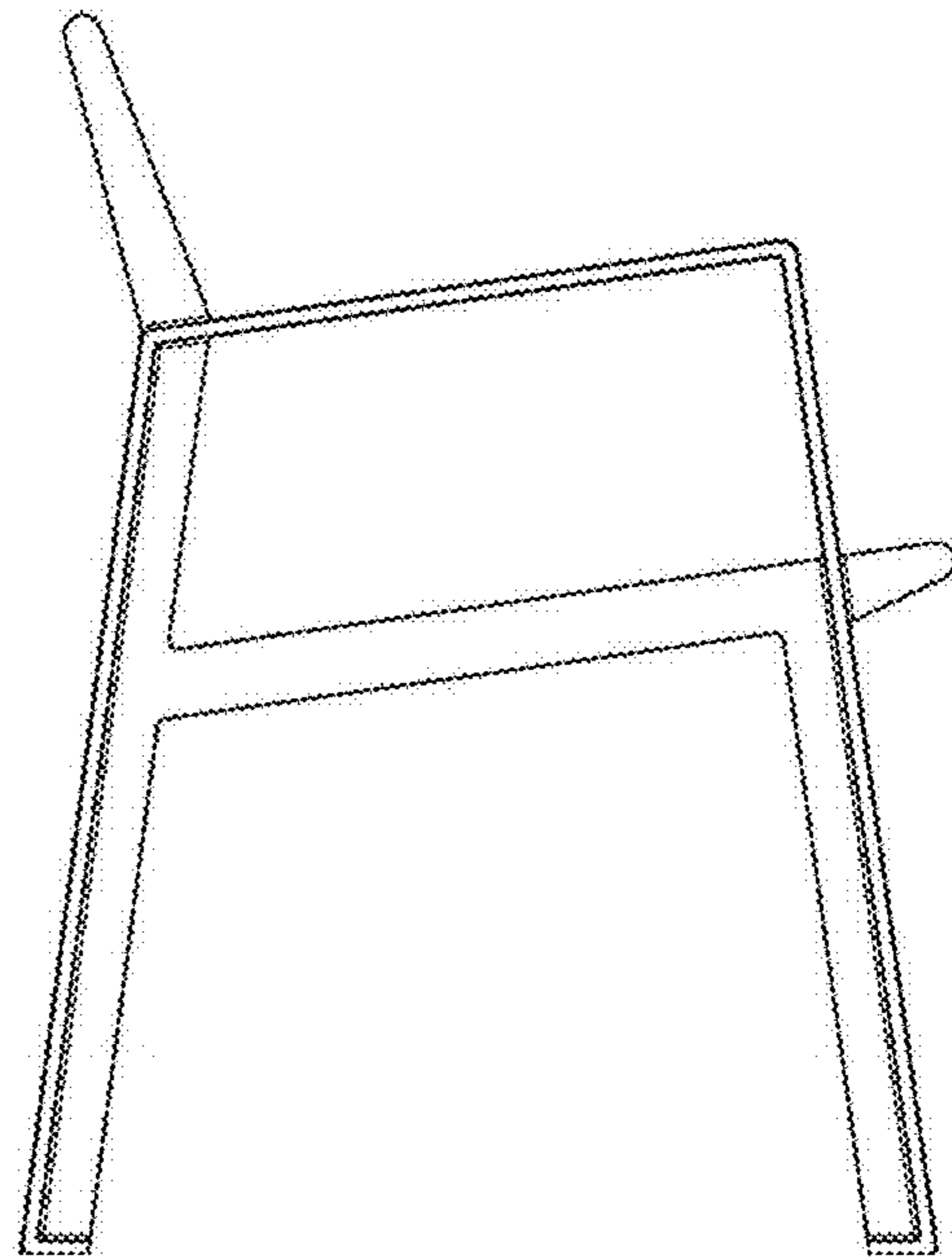
1.3



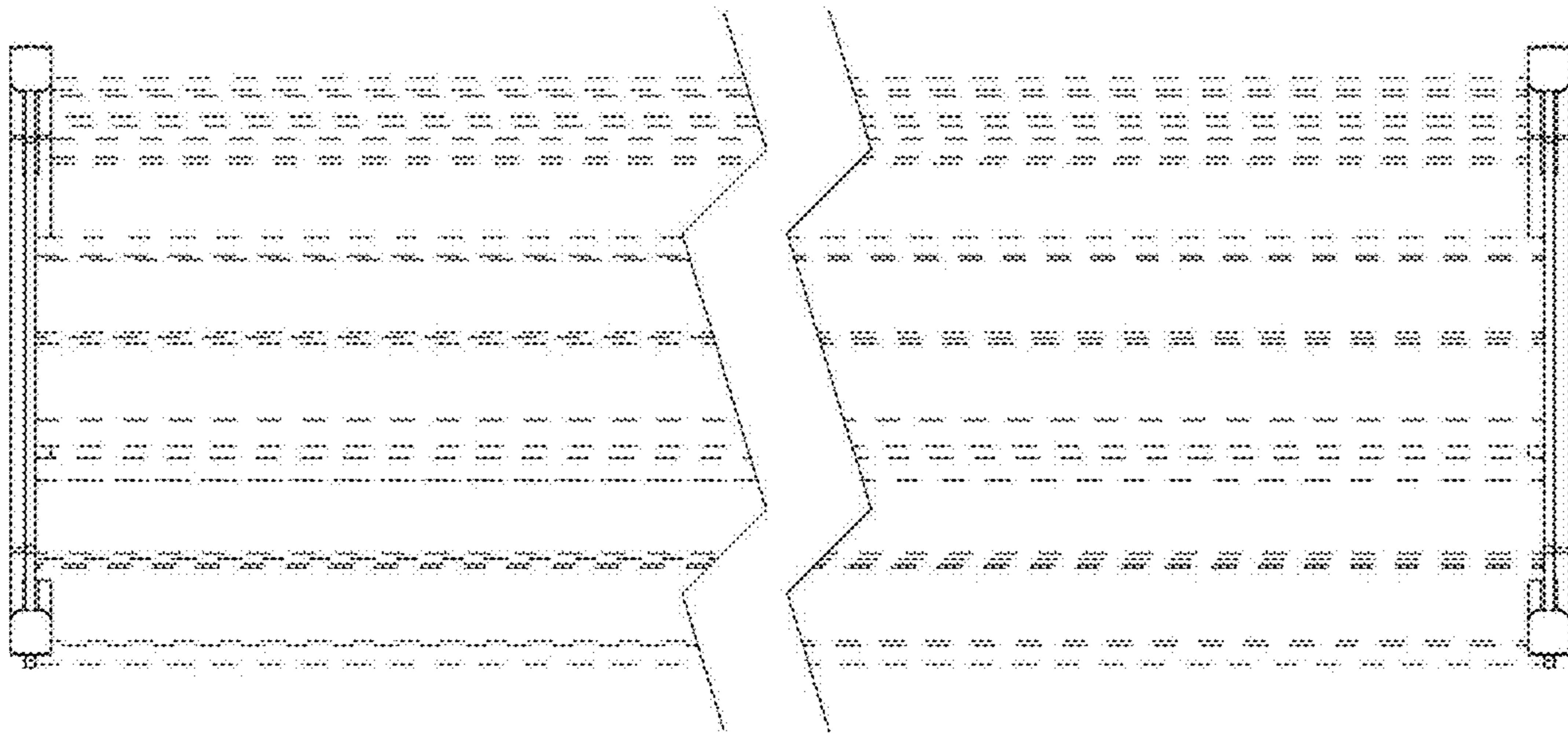
1.4



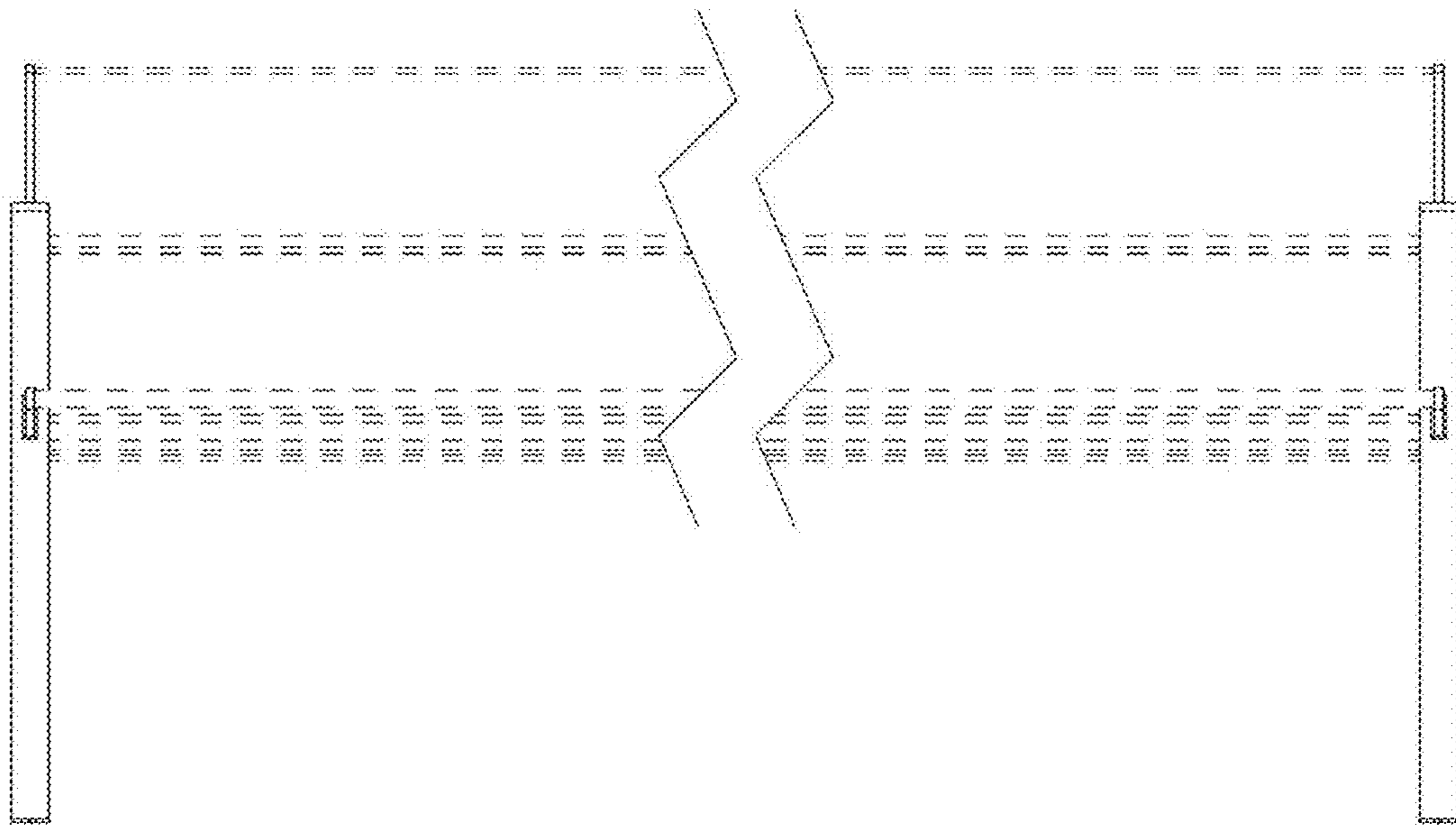
1.5



1.6



1.7



1.8

