



US00D976037S

(12) **United States Design Patent**
DeVries et al.

(10) **Patent No.:** **US D976,037 S**
(45) **Date of Patent:** **** Jan. 24, 2023**

(54) **WHEEL ASSEMBLY WITH CONTRASTING COLOR RING**

(71) Applicant: **Exemplis LLC**, Cypress, CA (US)

(72) Inventors: **Paul DeVries**, Huntington Beach, CA (US); **Mitchell Mulder**, White Salmon, WA (US)

(73) Assignee: **Exemplis LLC**, Cypress, CA (US)

(**) Term: **15 Years**

(21) Appl. No.: **29/724,460**

(22) Filed: **Feb. 14, 2020**

(51) **LOC (14) Cl.** **06-06**

(52) **U.S. Cl.**

USPC **D6/708.24**

(58) **Field of Classification Search**

USPC D6/334-336, 364, 365, 366, 367, 374, D6/375, 379, 380, 716, 716.1, 716.2, D6/716.4, 708.23, 708.24; D8/375
CPC A47C 7/002; A47C 7/004; A47C 7/006; A47C 7/18; A47C 7/24; A47C 3/20; A47C 3/24; B60B 33/00; B60B 33/001; B60B 33/0002; B60B 33/0028; B60B 33/0039; B60B 33/0044; B60B 33/0047; B60B 33/0068; Y10T 16/18; Y10T 16/209; Y10T

(Continued)

(56) **References Cited**

U.S. PATENT DOCUMENTS

2,059,348 A 11/1936 Herold
2,129,579 A 9/1938 Herold
D130,592 S 12/1941 Parkhill

(Continued)

FOREIGN PATENT DOCUMENTS

AU 201817441 12/2018
AU 201911023 5/2019

(Continued)

OTHER PUBLICATIONS

Novo High Back WFH Armless Mesh Task Chair, officechairsusa.com, Retrieved Date: Sep. 6, 2022, p. 1, from <https://www.officechairsusa.com/novo-high-back-wfh-armless-mesh-task-chair/> (Year: 2022).*

Primary Examiner — Mimoso De

(74) *Attorney, Agent, or Firm* — Knobbe Martens Olson & Bear LLP

(57) **CLAIM**

The ornamental design for a wheel assembly with contrasting color ring, as shown and described.

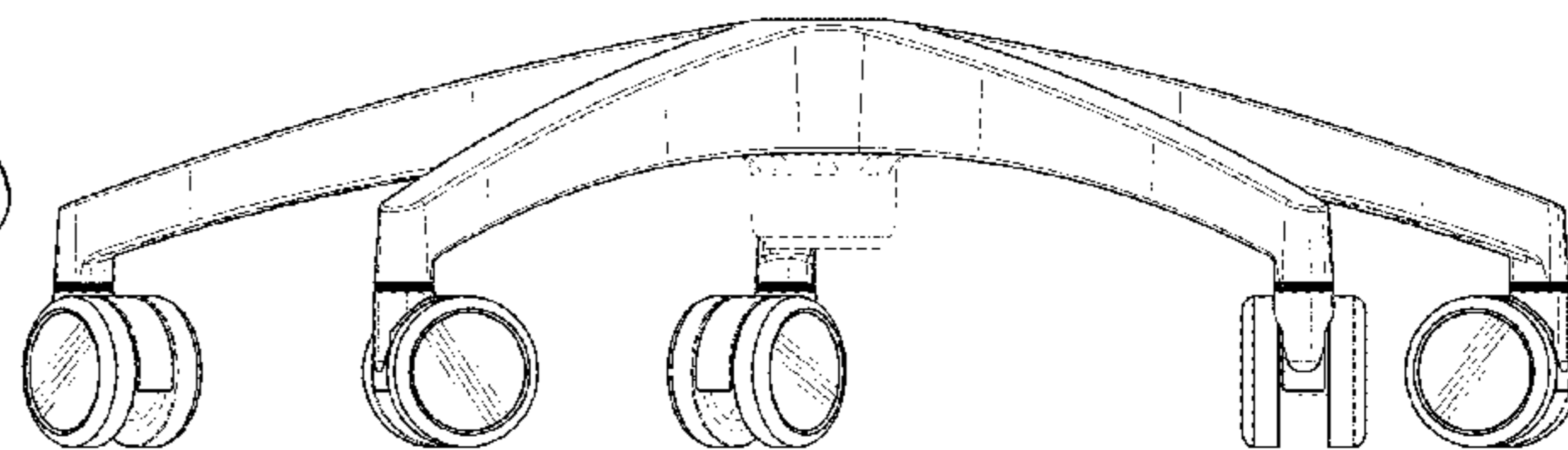
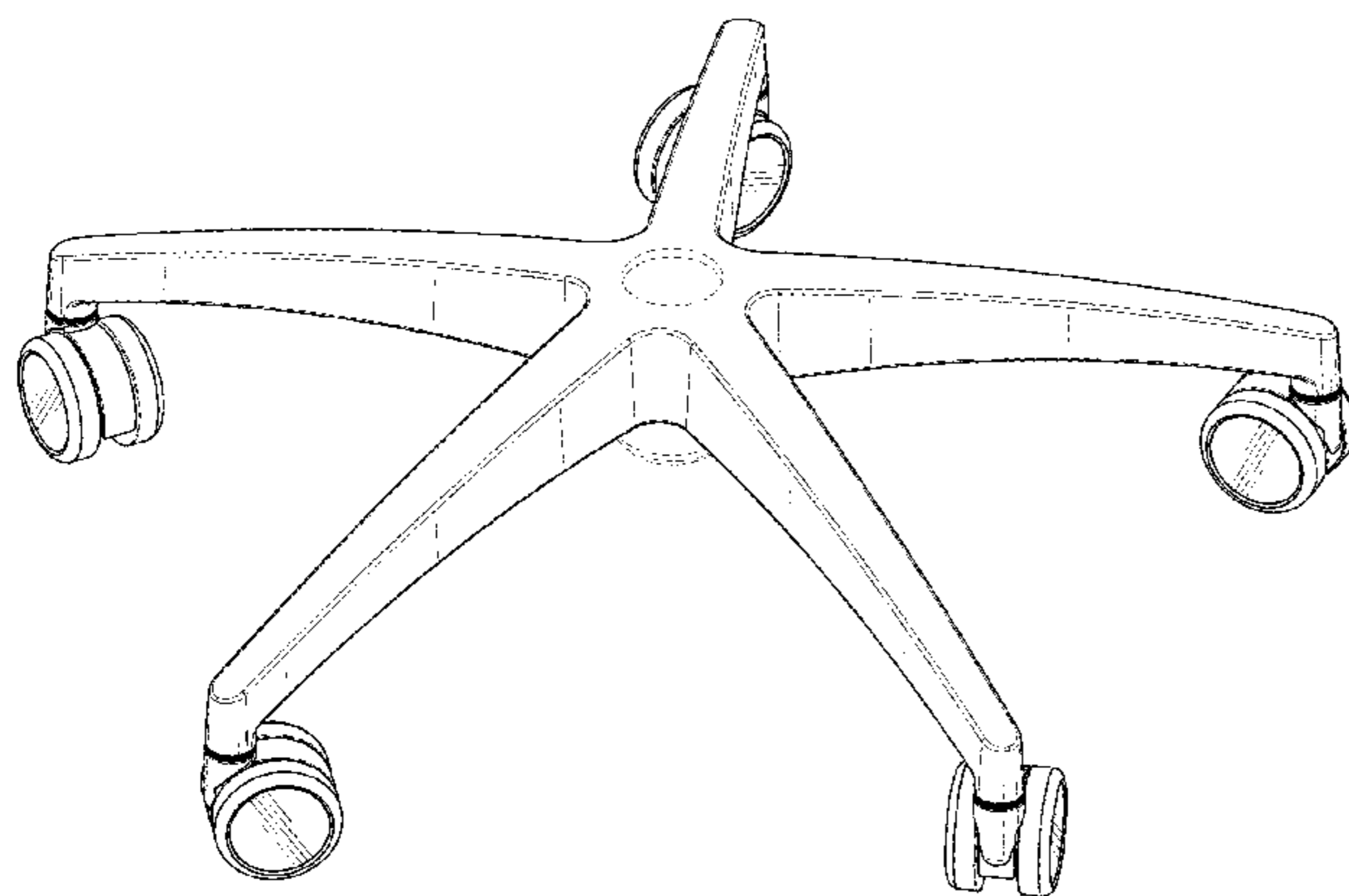
DESCRIPTION

FIG. 1 is a top, front, and right-side perspective view of a wheel assembly with contrasting color rings with portions disclaimed, embodying the new design; FIG. 2 is a bottom, back, and left side perspective view thereof; FIG. 3 is a front view thereof; FIG. 4 is a back view thereof; FIG. 5 is a left-side view thereof; FIG. 6 is a right-side view thereof; FIG. 7 is a top view thereof; and, FIG. 8 is a bottom view thereof.

Broken lines, where utilized, are for illustrative purposes only, form no part of the claimed design. All features illustrated in broken line are expressly disclaimed and form no part of the claimed design.

Additionally, some portions of some embodiments are illustrated with solid black surface shading for indicating that such portions have a contrasting color relative to the portions adjacent thereto, the portions illustrated with such solid black surface shading being either darker or lighter to the adjacent portions that have no surface shading.

1 Claim, 8 Drawing Sheets



(58) **Field of Classification Search**
 CPC 16/216; A48B 91/06; F16C 16/006; F16C
 2326/02
 See application file for complete search history.

(56) **References Cited**
 U.S. PATENT DOCUMENTS

3,691,590	A	9/1972	Drabert	
D241,004	S	8/1976	Pinaire et al.	
D241,611	S	9/1976	Crescenzi et al.	
D244,989	S	7/1977	Crescenzi	
D266,396	S	10/1982	Neville	
D288,287	S	2/1987	Screen	
D296,300	S	6/1988	Doyle et al.	
D310,622	S	9/1990	Screen	
D319,384	S	8/1991	Lange	
D329,011	S	9/1992	Block	
D340,182	S	10/1993	Soltani	
D343,787	S	2/1994	Finkeldey et al.	
D343,788	S	2/1994	Soltani	
D349,043	S	7/1994	Carlson et al.	
D465,725	S	11/2002	Holbrook	
D503,316	S	3/2005	Webb et al.	
D505,316	S	5/2005	Topel	
D549,014	S *	8/2007	Donati	D6/708.23
D557,121	S	12/2007	Screen	
D557,123	S	12/2007	Screen	
D560,406	S *	1/2008	Privatt	D6/708.23
D561,014	S	2/2008	Brodbeck	
D570,200	S	6/2008	Jen	
D573,452	S	7/2008	Graffunder et al.	

D593,400	S	6/2009	Jones et al.	
D593,847	S	6/2009	Graffunder et al.	
D594,316	S	6/2009	Rhein et al.	
D603,690	S	11/2009	Rhein et al.	
D653,526	S	2/2012	Melara	
D661,117	S *	6/2012	Tanaka	D6/366
D662,401	S	6/2012	Lin et al.	
D720,385	S	12/2014	Lampp	
D766,073	S	9/2016	Hozumi et al.	
D795,045	S	8/2017	Diz et al.	
D804,939	S	12/2017	Starck	
D833,767	S *	11/2018	Wilkinson	D6/366
D913,082	S	3/2021	DeVries et al.	
D917,945	S	5/2021	DeVries et al.	
D958,638	S	7/2022	Ivanov	
D961,280	S *	8/2022	Deevers	D6/366
D961,281	S *	8/2022	Deevers	D6/366
2009/0113671	A1	5/2009	Chu	

FOREIGN PATENT DOCUMENTS

BR	302018055728-0	10/2019
CA	185245	12/2020
CN	ZL201830715422.6	7/2019
CN	ZL 202030460594.0	7/2021
EM	005876059-0001	2/2019
EM	005876059-0002	2/2019
EM	005876059-0003	2/2019
GB	90058760590001	2/2019
GB	90058760590002	2/2019
GB	90058760590003	2/2019
MX	60317	3/2021

* cited by examiner

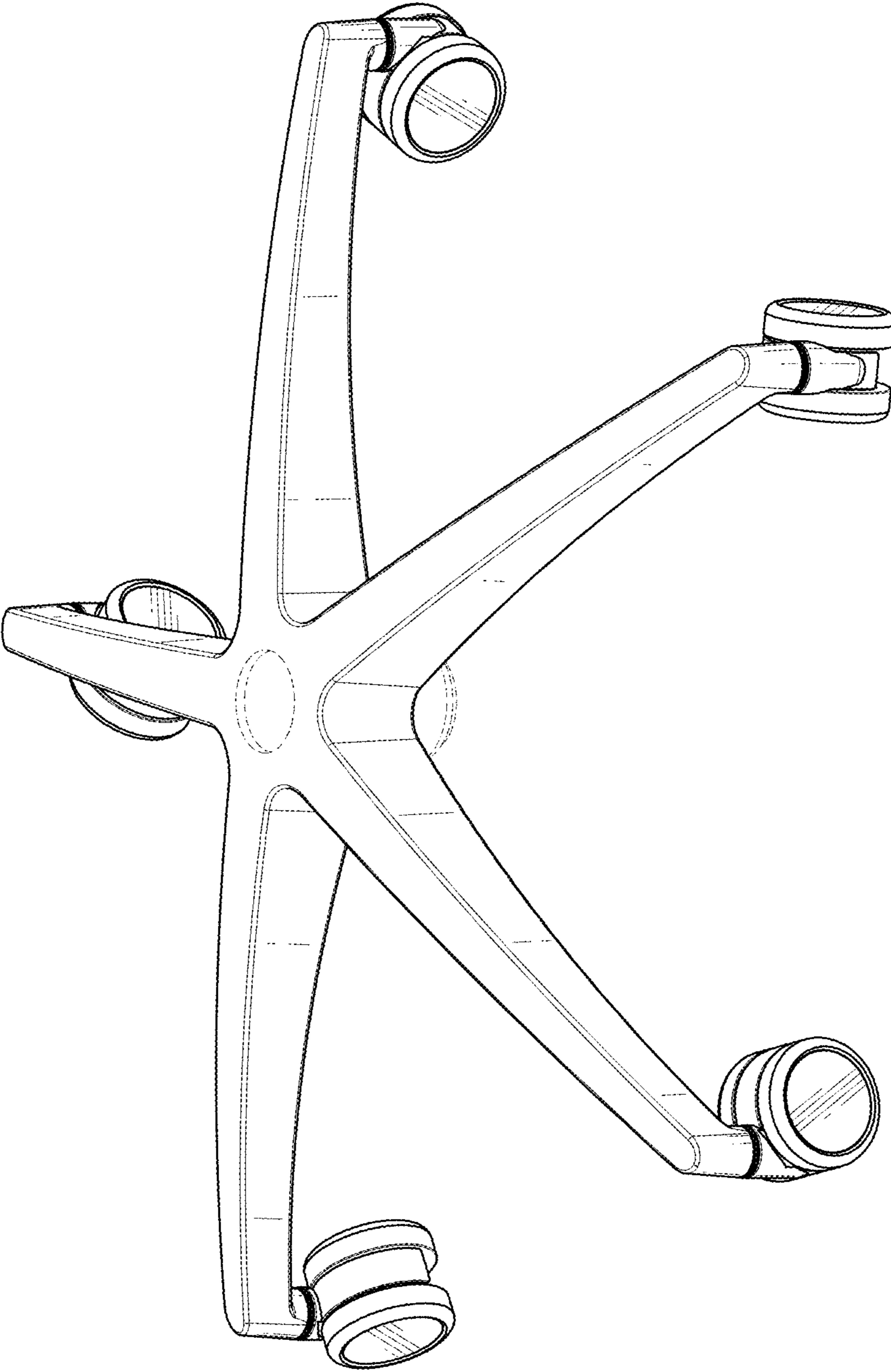


FIG. 1

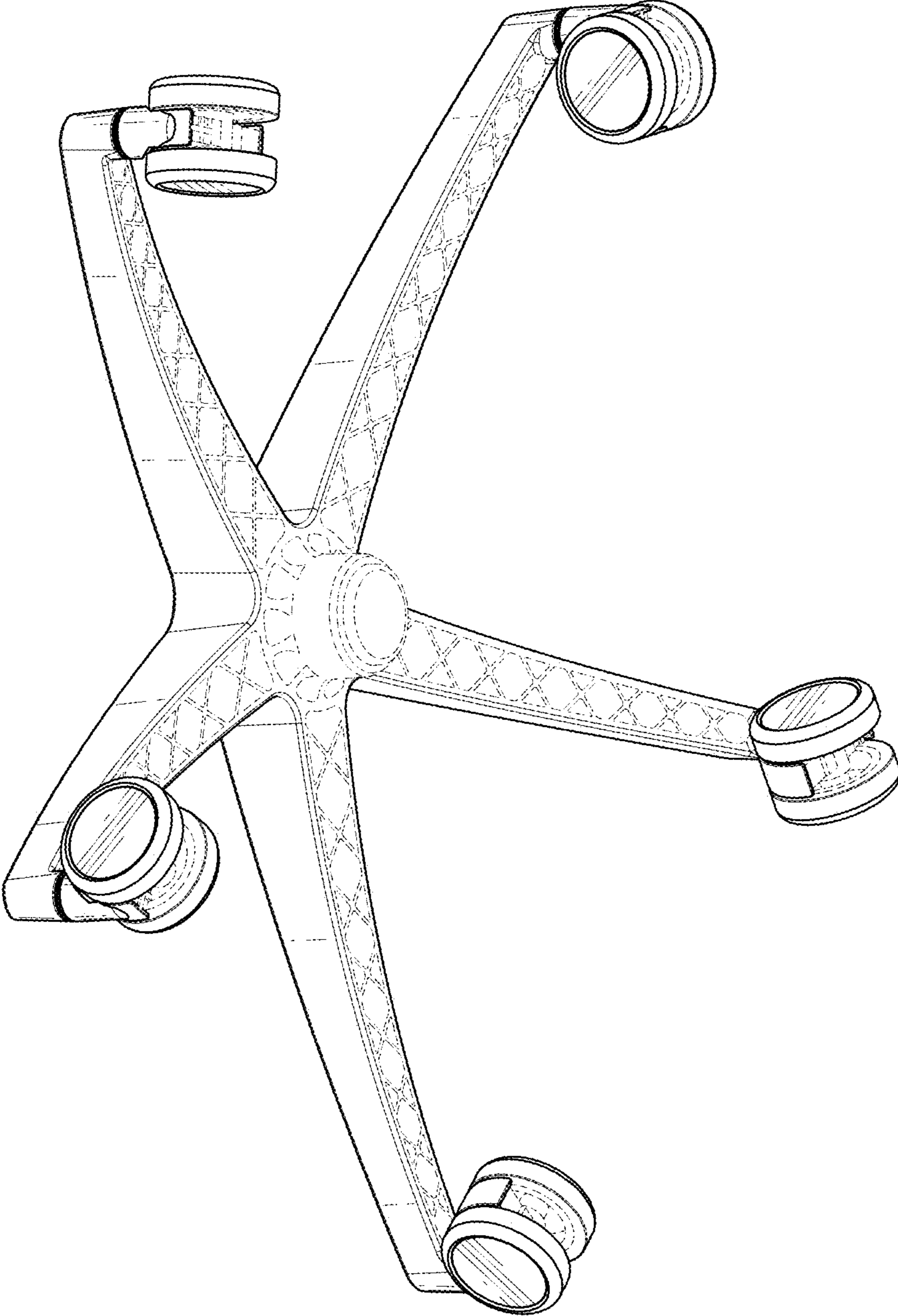


FIG. 2

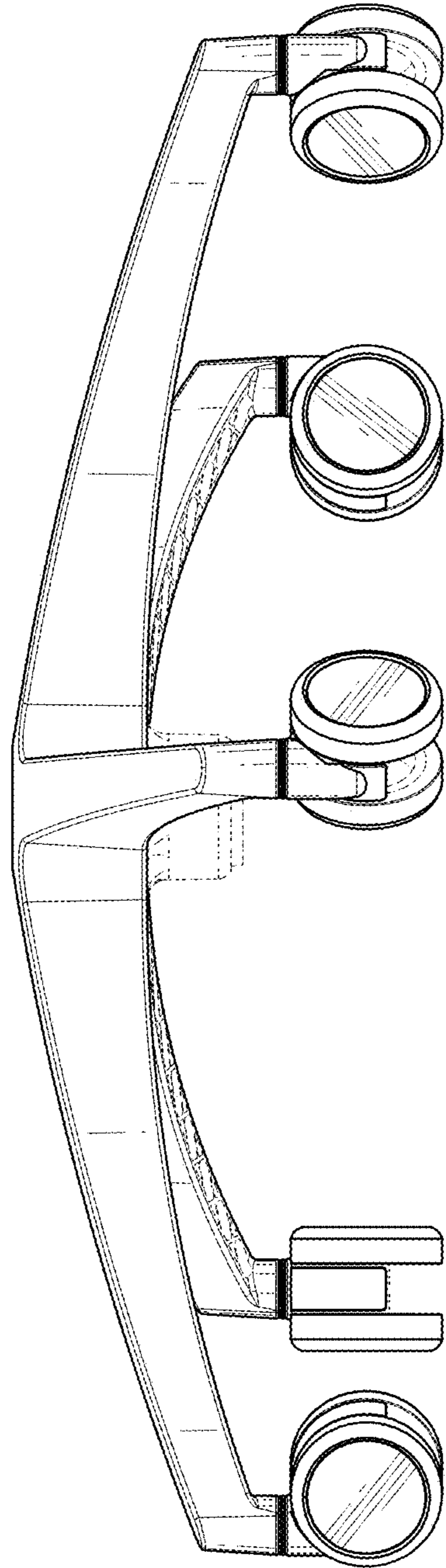


FIG. 3

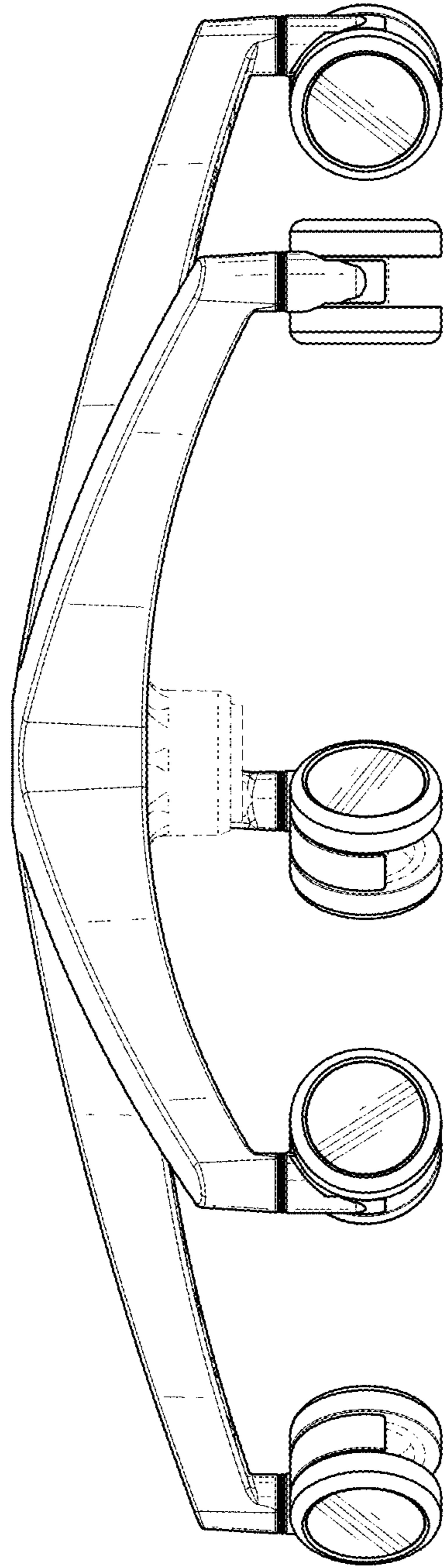


FIG. 4

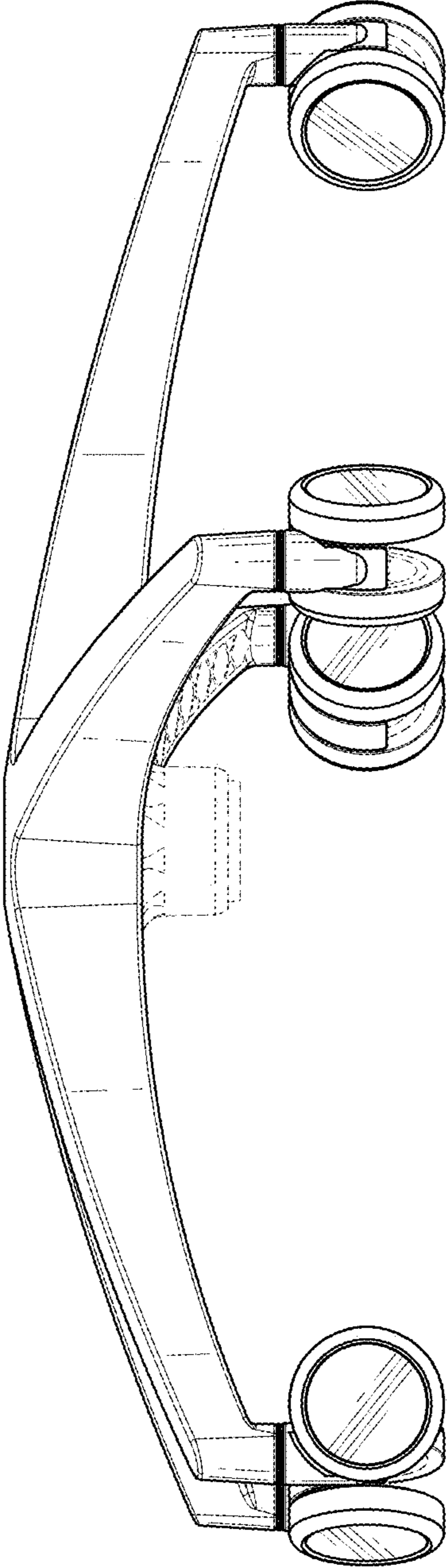


FIG. 5

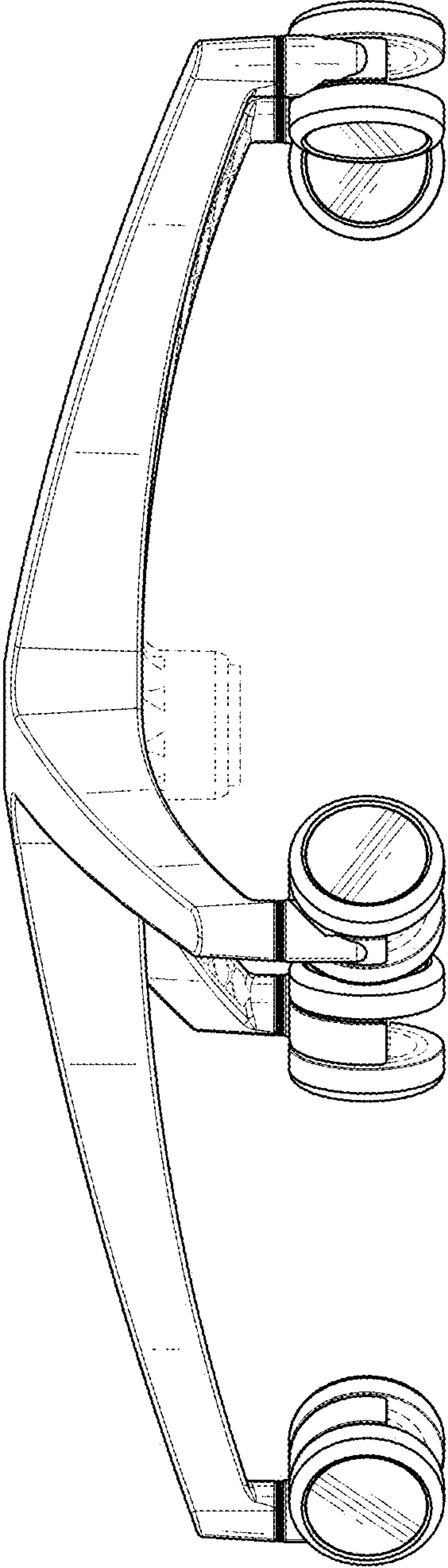


FIG. 6

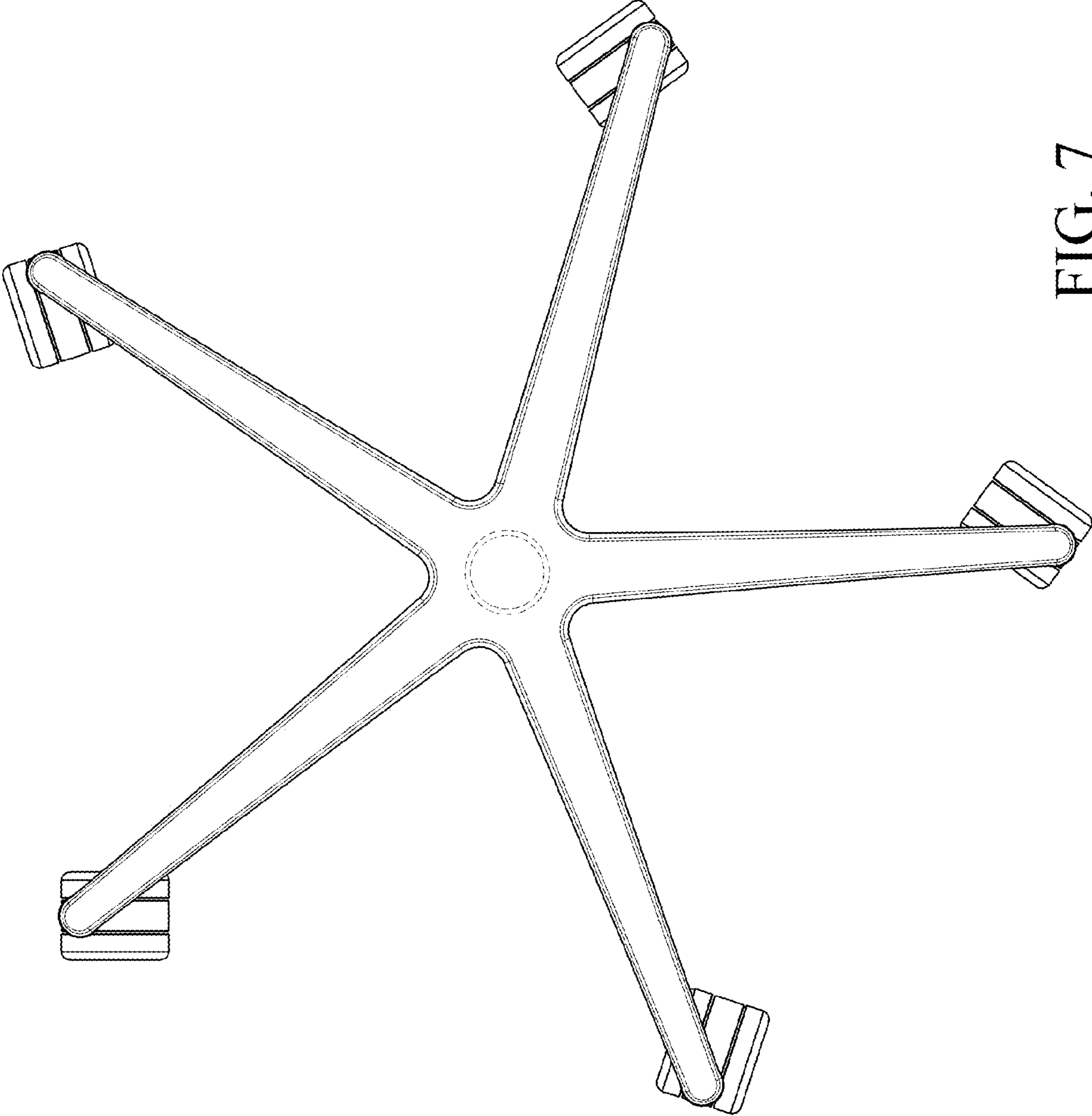


FIG. 7

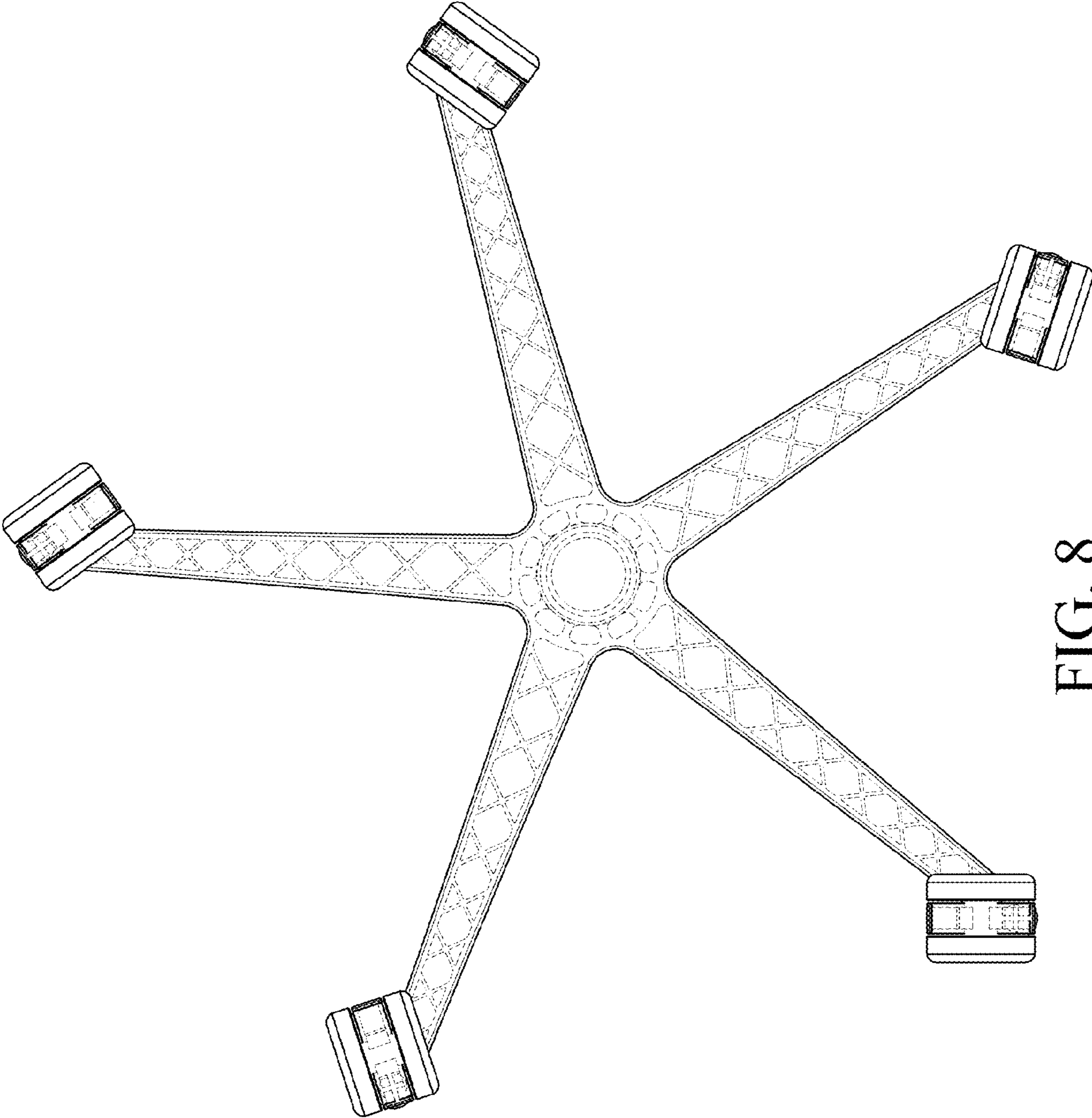


FIG. 8