



US00D976036S

(12) **United States Design Patent**  
**Vangura**

(10) **Patent No.:** **US D976,036 S**  
(45) **Date of Patent:** **\*\* Jan. 24, 2023**

(54) **LAMINATE COUNTERTOP FOR AN ISLAND**

(71) Applicant: **Vangura Kitchen Tops, Inc.**, North  
Huntingdon, PA (US)

(72) Inventor: **Edward P. Vangura**, North  
Huntingdon, PA (US)

(73) Assignee: **Vangura Kitchen Tops, Inc.**, North  
Huntingdon, PA (US)

(\*\*) Term: **15 Years**

(21) Appl. No.: **29/724,521**

(22) Filed: **Feb. 17, 2020**

(51) **LOC (14) Cl.** ..... **06-06**

(52) **U.S. Cl.**  
USPC ..... **D6/707.22**

(58) **Field of Classification Search**  
USPC ... D6/685, 686, 695, 695.1-695.7, 702, 703,  
D6/704, 705, 705.2, 705.5, 707, 707.15,  
D6/707.18, 707.19, 707.22-707.24,  
D6/707.26  
CPC .... A47B 5/00; A47B 5/02; A47B 7/00; A47B  
11/00; A47B 13/00; A47B 13/08; A47B  
13/081; A47B 13/083; A47B 13/12; A47B  
17/00; A47B 21/00; A47B 2200/0001  
See application file for complete search history.

(56) **References Cited**

**U.S. PATENT DOCUMENTS**

- D273,070 S \* 3/1984 Welsch ..... D7/698
- D283,382 S \* 4/1986 Goldsmith ..... D6/707.19
- D366,380 S \* 1/1996 Kelly ..... D6/596
- 6,131,521 A \* 10/2000 Nelson ..... A47B 77/022  
108/42
- D449,184 S \* 10/2001 Cain ..... A47B 77/022  
D6/691.9
- D454,733 S \* 3/2002 Lantigua ..... D6/689

- D525,459 S \* 7/2006 Stanton ..... D6/695
- D583,173 S \* 12/2008 Hazelwood ..... D6/707
- D607,241 S \* 1/2010 Clausen ..... D6/707.24
- D607,242 S \* 1/2010 Clausen ..... D6/707.24
- D609,945 S \* 2/2010 Everson ..... D6/707.19
- D683,163 S \* 5/2013 Starck ..... D6/707.19
- D690,544 S \* 10/2013 Feeney ..... D6/707.24
- D886,331 S \* 6/2020 Williams ..... D25/136
- 2008/0245464 A1 \* 10/2008 Hazelwood ..... A47B 77/022  
83/821
- 2019/0075923 A1 \* 3/2019 Vangura ..... B32B 37/12

\* cited by examiner

*Primary Examiner* — Mary Ann Calabrese

(74) *Attorney, Agent, or Firm* — The Webb Law Firm

(57) **CLAIM**

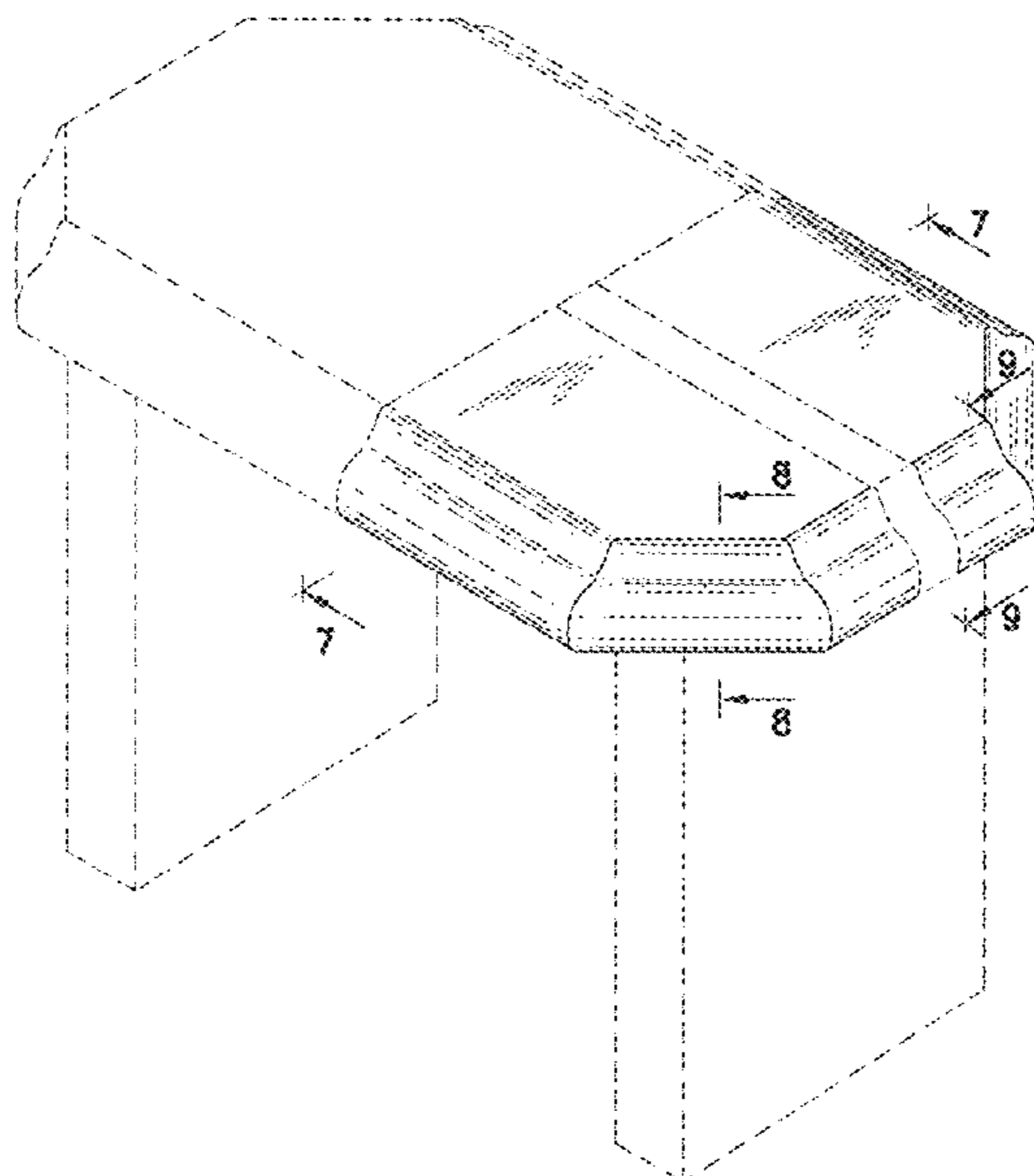
The ornamental design for a laminate countertop for an island, as shown and described.

**DESCRIPTION**

FIG. 1 is a perspective view of a laminate countertop for an island showing my new design;  
 FIG. 2 is top plan view thereof;  
 FIG. 3 is a right side elevation view thereof;  
 FIG. 4 is a front elevation view thereof;  
 FIG. 5 is a bottom plan view thereof;  
 FIG. 6 is an exploded perspective view thereof;  
 FIG. 7 is a cross-sectional view taken along line 7-7 in FIG. 1;  
 FIG. 8 is a cross sectional view taken along line 8-8 in FIG. 1; and,  
 FIG. 9 is a cross-sectional view taken along line 9-9 in FIG. 1.

The evenly-spaced dashed lines show environmental structure and portions of the laminate countertop for an island that form no part of the claimed design. The short-dash, long-dash lines represent the boundaries of the claim and form no part thereof.

**1 Claim, 6 Drawing Sheets**



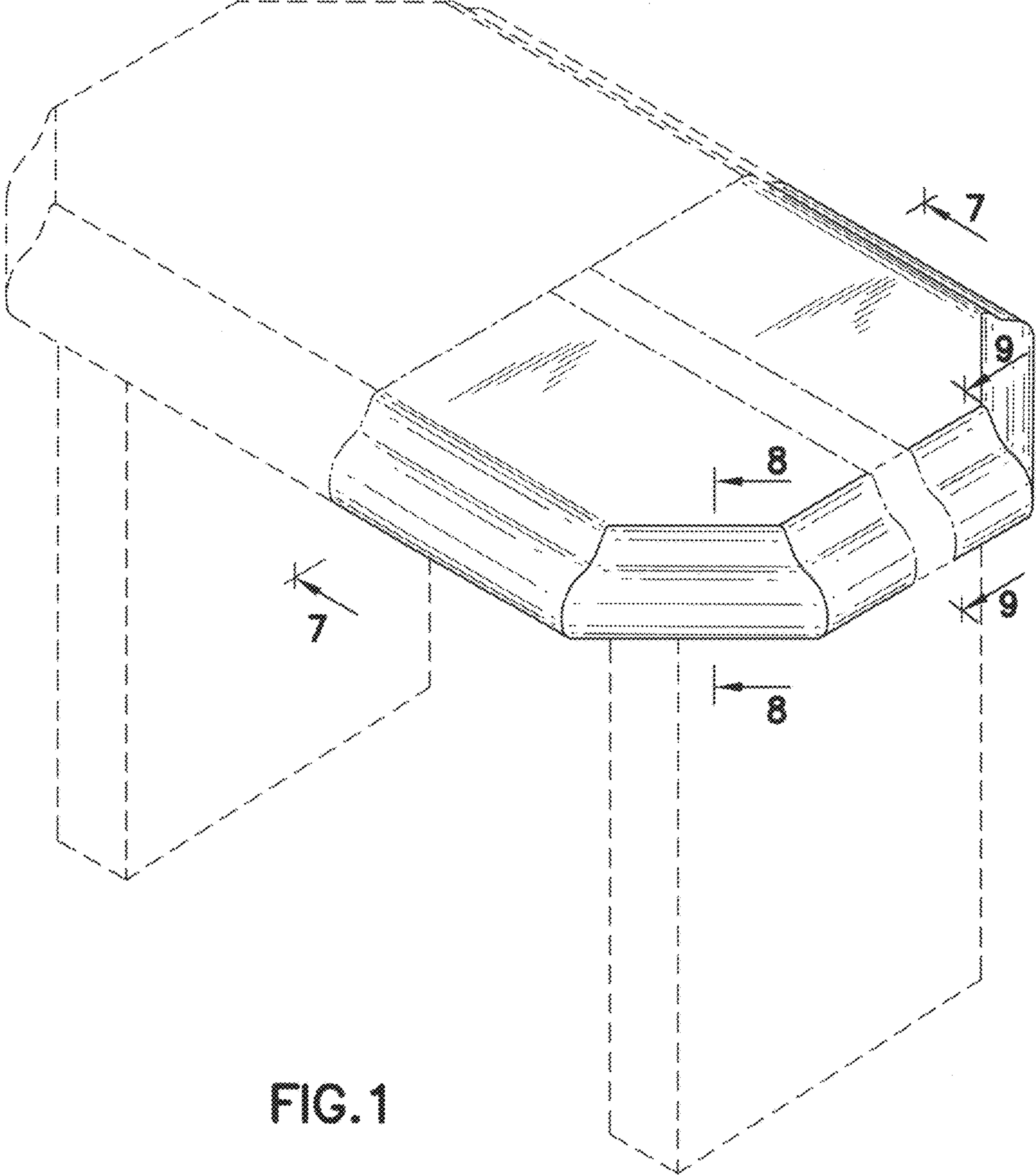


FIG. 1

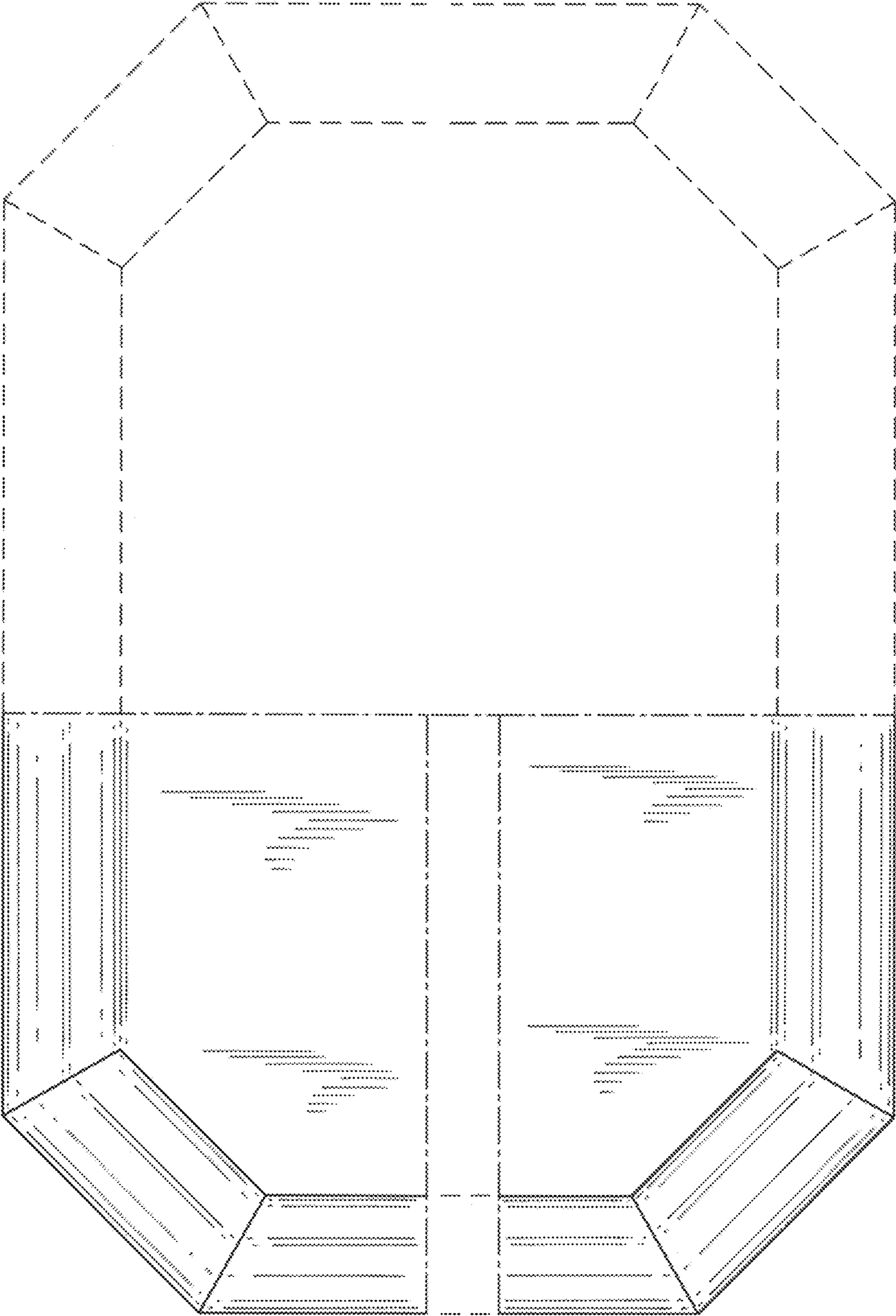


FIG.2

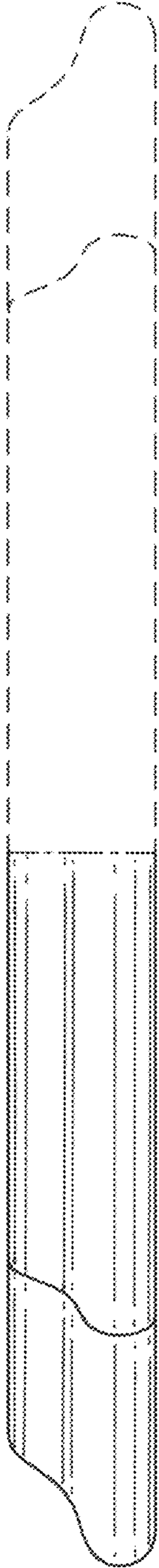


FIG. 3



FIG. 4

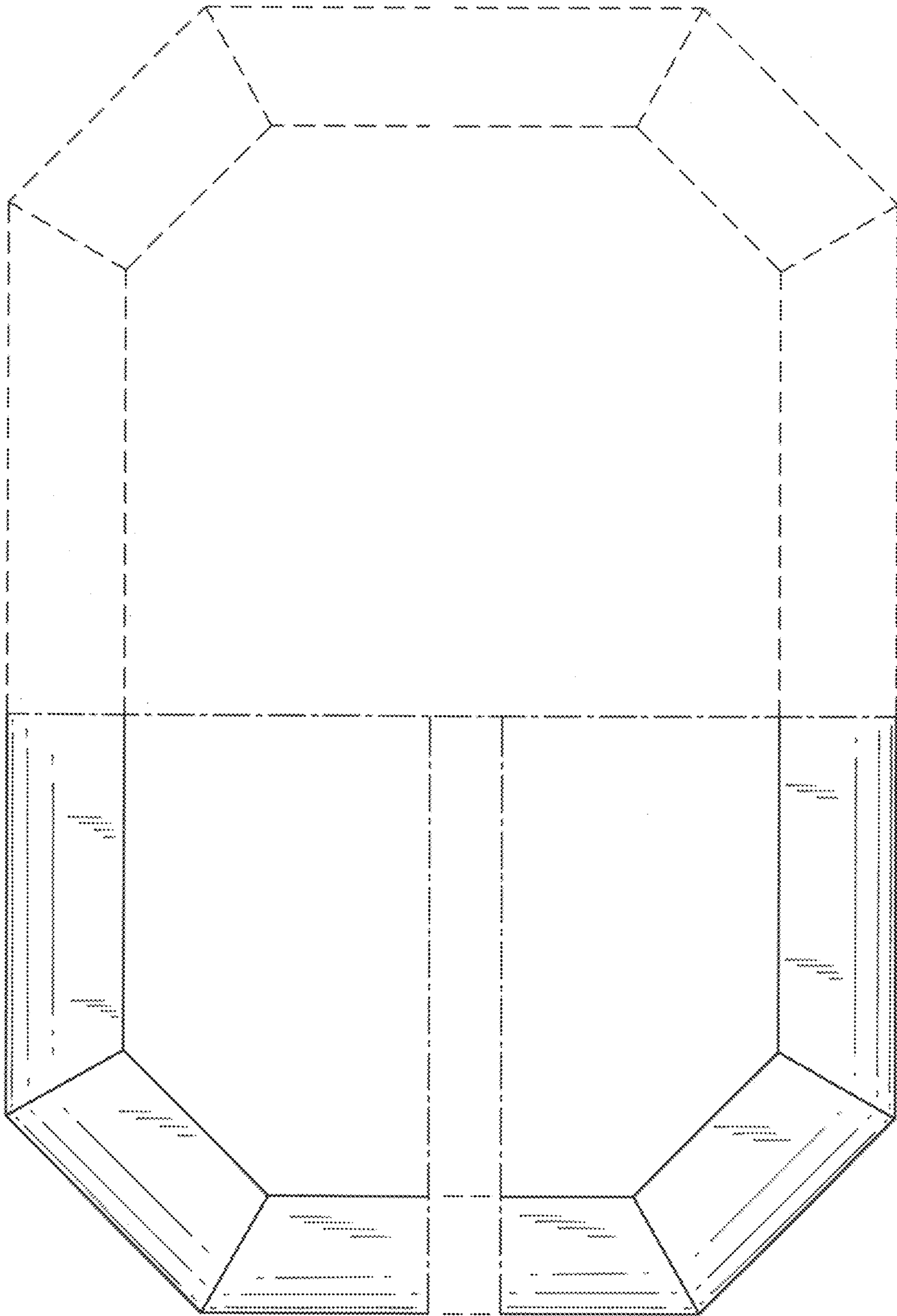


FIG.5

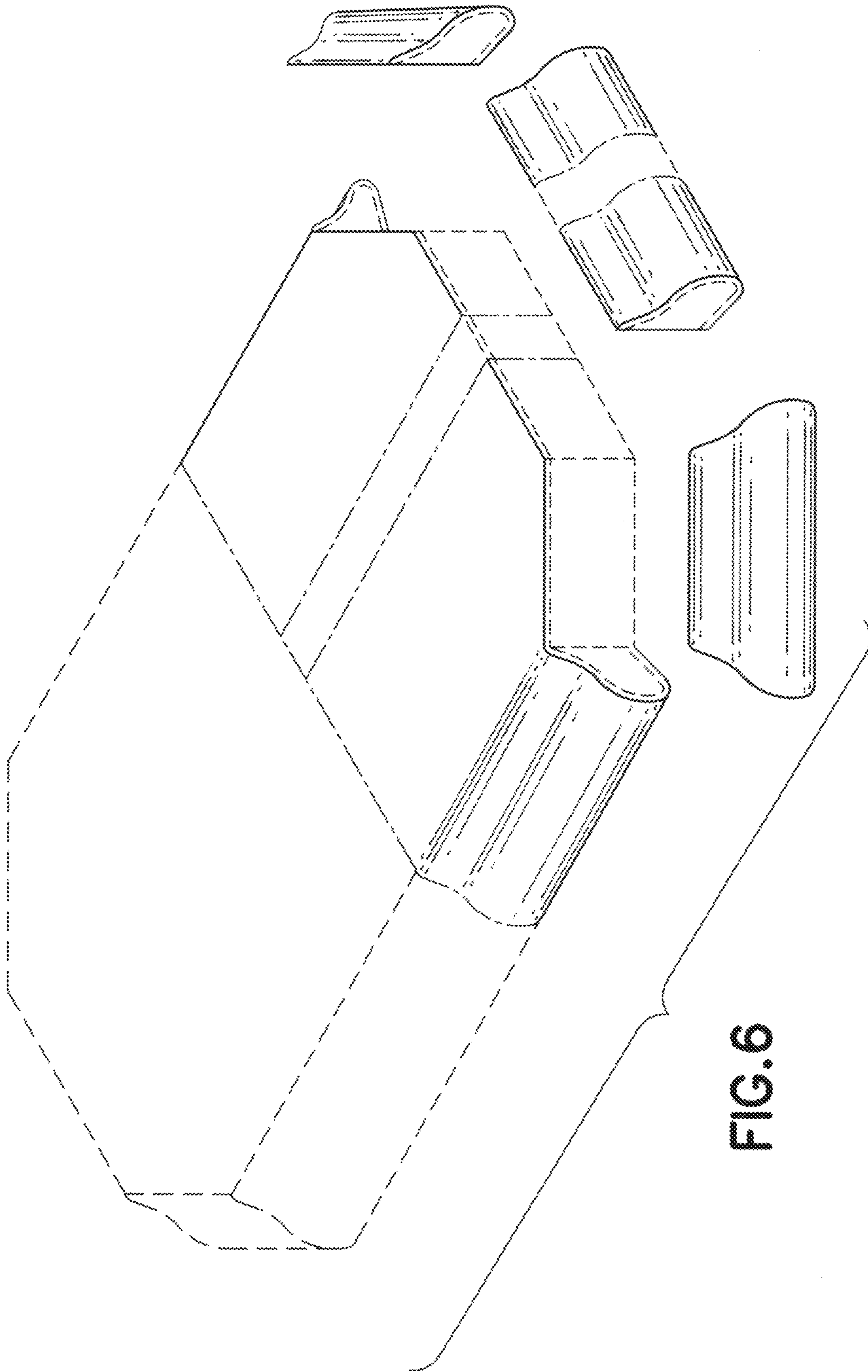


FIG. 6

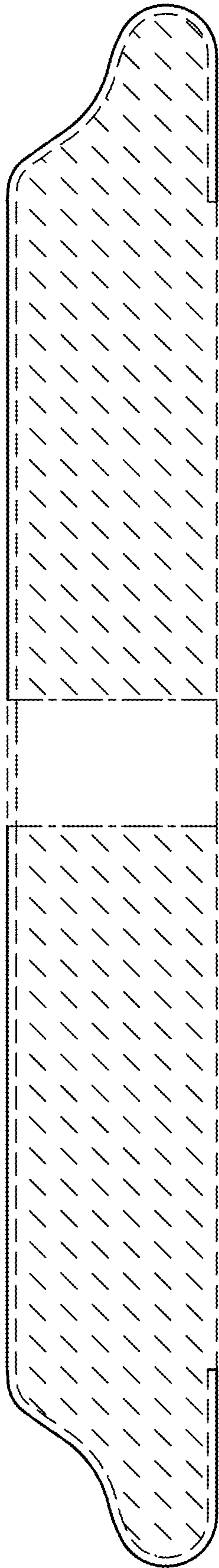


FIG. 7

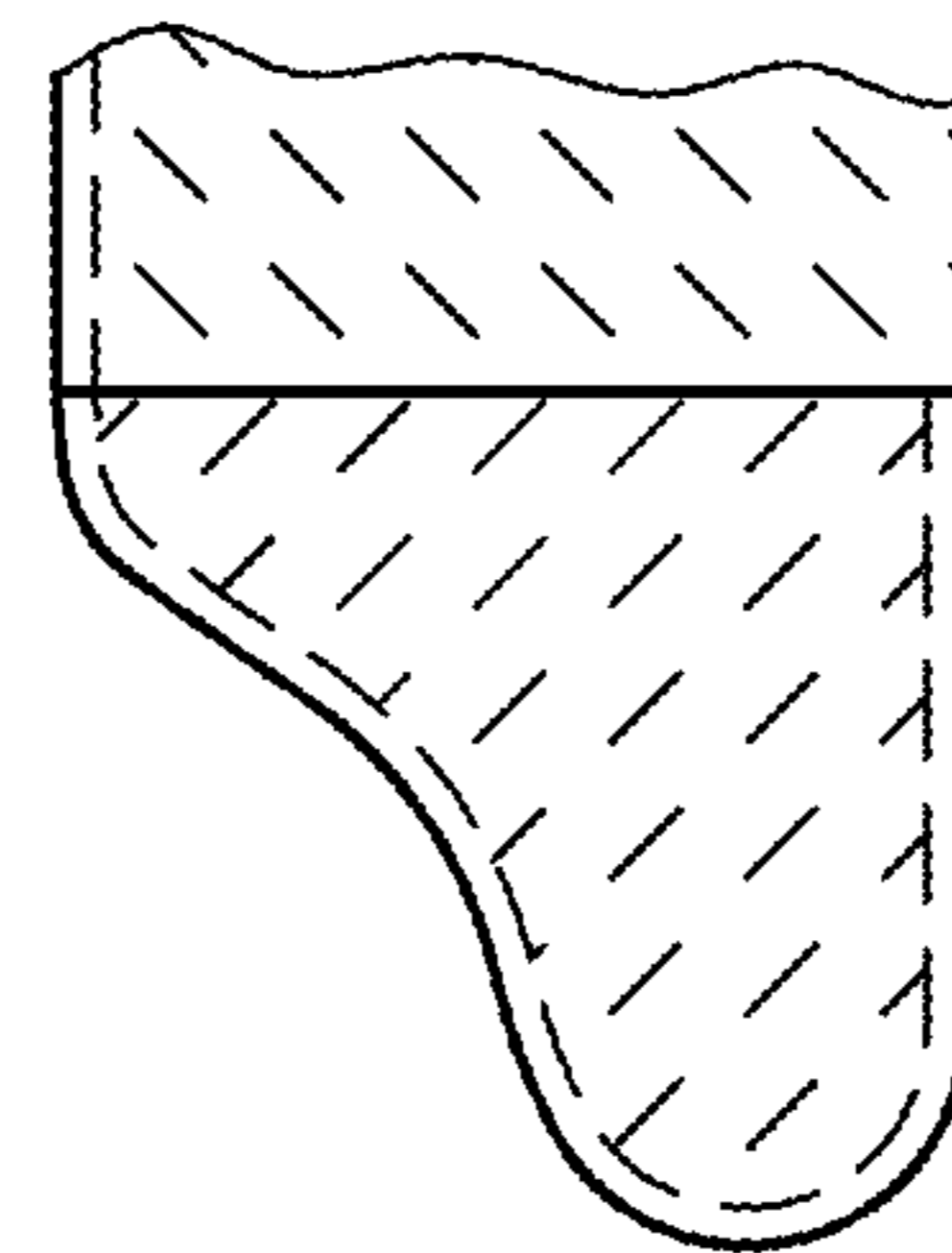


FIG. 8

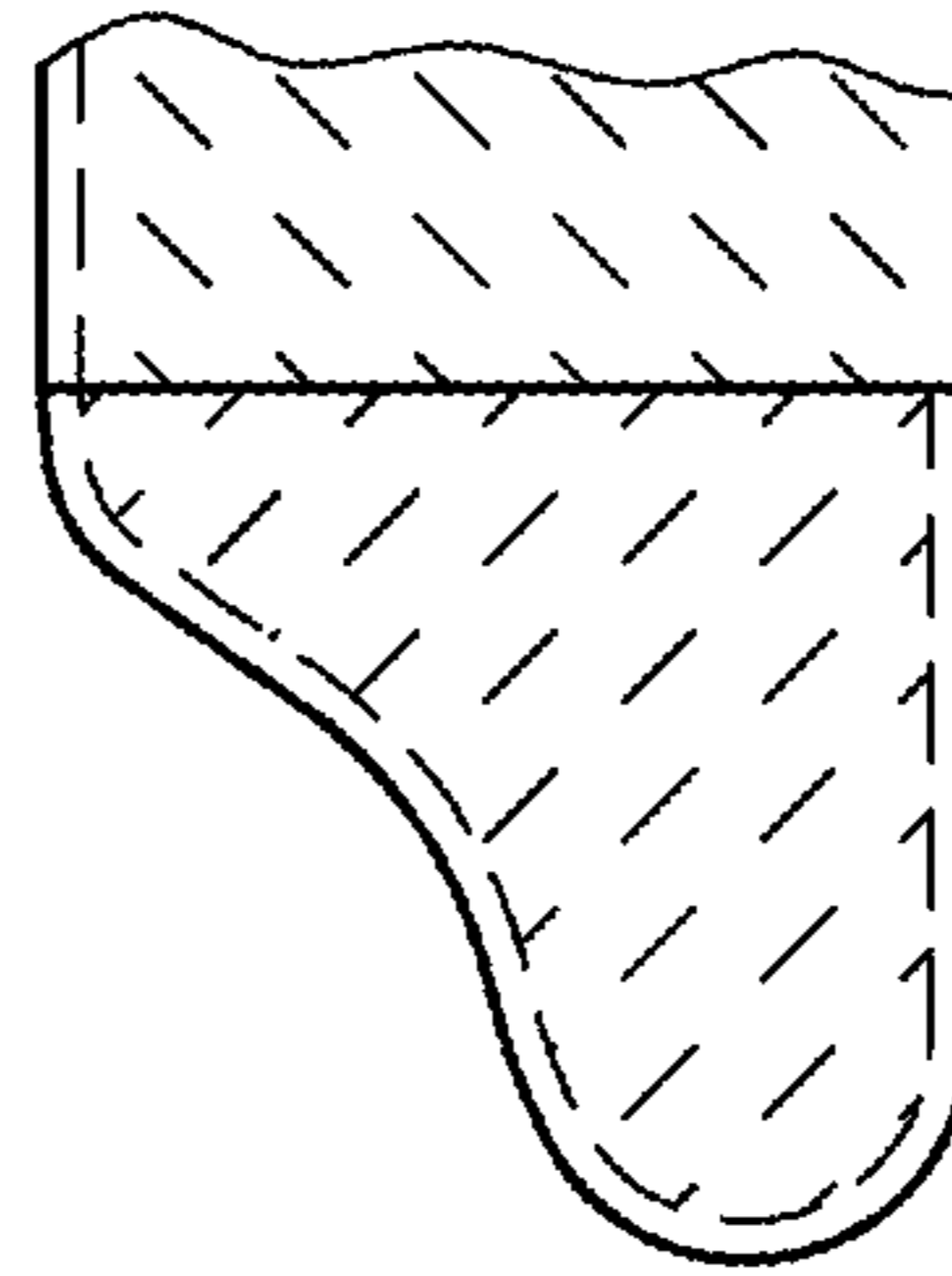


FIG. 9