



US00D976035S

(12) **United States Design Patent**
Yongjie et al.

(10) **Patent No.:** **US D976,035 S**

(45) **Date of Patent:** **** Jan. 24, 2023**

(54) **DEVICE MOUNT**

(71) Applicant: **TomTom International B.V.**,
Amsterdam (NL)

(72) Inventors: **You Yongjie**, Henan (CN); **Nicholas Alexander Evans**, Amsterdam (NL)

(73) Assignee: **TomTom International B.V.**,
Amsterdam (NL)

(**) Term: **15 Years**

(21) Appl. No.: **29/747,999**

(22) Filed: **Aug. 26, 2020**

(51) **LOC (14) Cl.** **06-06**

(52) **U.S. Cl.**
USPC **D6/682.3**

(58) **Field of Classification Search**
USPC D6/672, 673, 512–513, 553, 682, 682.3;
D14/251–253, 447, 457, 209.1; D8/354;
D16/250
CPC A47B 2097/005; A47B 2097/006; A47F
5/0081; A47F 5/04; B60R 11/00; B60R
11/0211; B60R 11/0229; B60R 11/0235;
B60R 11/0252; B60R 11/0003; B60R
2011/0007; B60R 2011/0057

See application file for complete search history.

(56) **References Cited**

U.S. PATENT DOCUMENTS

D323,085 S *	1/1992	Konkel	248/158
D545,825 S *	7/2007	Richter	D14/251
D592,188 S *	5/2009	Huang	D14/217
D619,587 S *	7/2010	Richter	D14/447
7,789,355 B2 *	9/2010	Gan	F16M 11/24 248/157

D659,571 S *	5/2012	Hoggarth	D10/74
D689,478 S *	9/2013	Wikel	D14/253
D772,739 S *	11/2016	Browning	D10/74
D788,094 S *	5/2017	Kim	D14/253
D792,415 S *	7/2017	Tsai	D14/447
D799,469 S *	10/2017	Esses	D14/253
D852,560 S *	7/2019	Cochrane	D6/682.3
D888,064 S *	6/2020	Ahn	D14/447
D893,502 S *	8/2020	Burmester	D14/447
10,750,885 B2 *	8/2020	Hyma	E05B 73/0082
D933,668 S *	10/2021	Trudnak	D14/451
D934,229 S *	10/2021	Chapuis	D14/253
D934,234 S *	10/2021	Deng	D14/253
D935,469 S *	11/2021	Burmester	D14/447
2015/0300050 A1 *	10/2015	Van Balen	A47F 5/0087 248/551
2018/0058107 A1 *	3/2018	Lucas	E05B 35/008
2021/0018137 A1 *	1/2021	Chapuis	F16M 13/02
2021/0230910 A1 *	7/2021	Schutt	E05B 73/00

* cited by examiner

Primary Examiner — Kelley A Donnelly

(74) *Attorney, Agent, or Firm* — Park, Vaughan, Fleming & Dowler LLP

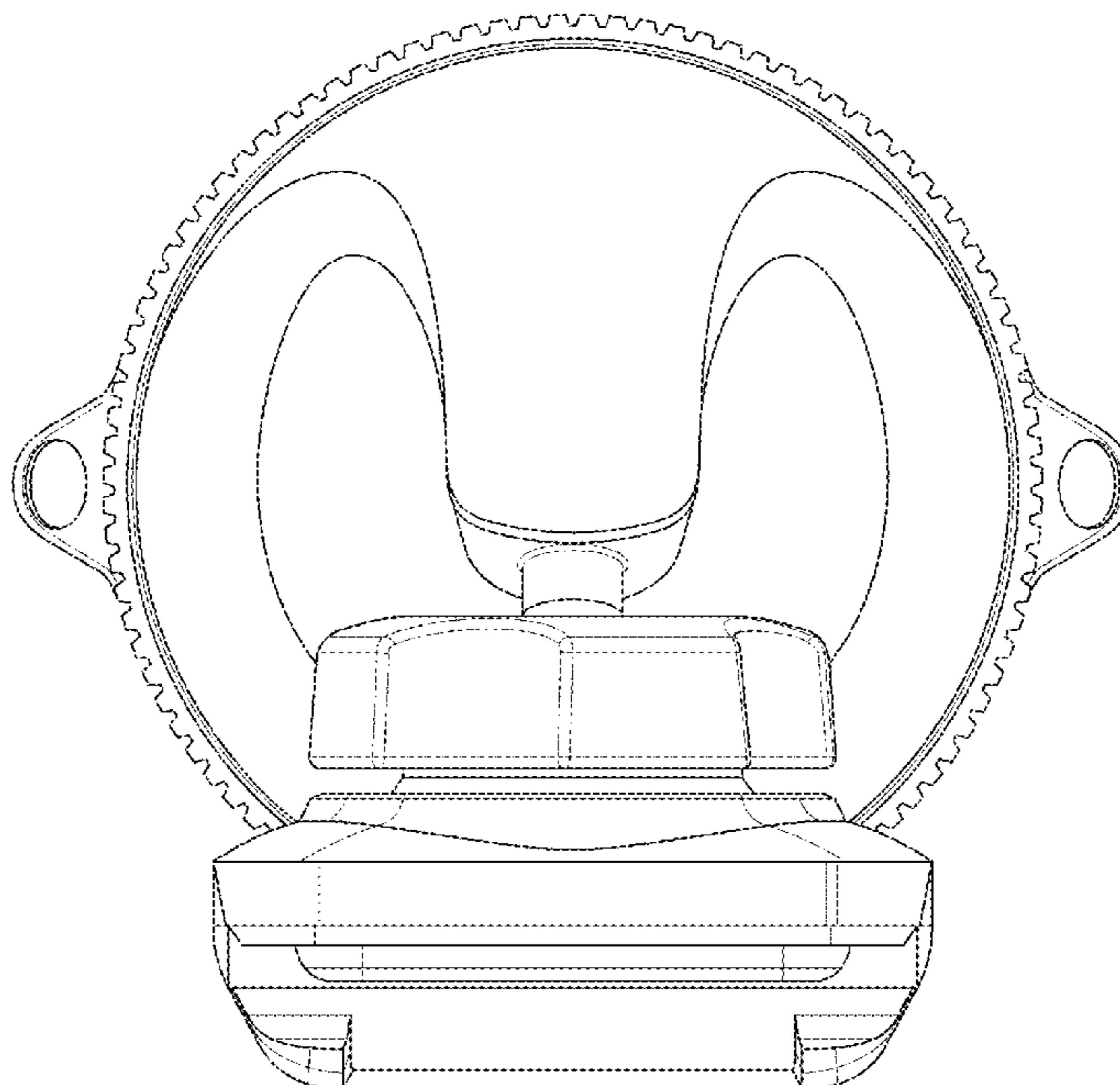
(57) **CLAIM**

The ornamental design for a device mount, as shown and described.

DESCRIPTION

FIG. 1 is a top view of a device mount;
FIG. 2 is a front view of the device mount;
FIG. 3 is a right side view of the device mount;
FIG. 4 is a rear view of the device mount;
FIG. 5 is a bottom view of the device mount; and,
FIG. 6 is a rear-right view of the device mount.
The broken lines illustrate unclaimed portions of the device mount and form no part of the claimed design.

1 Claim, 6 Drawing Sheets



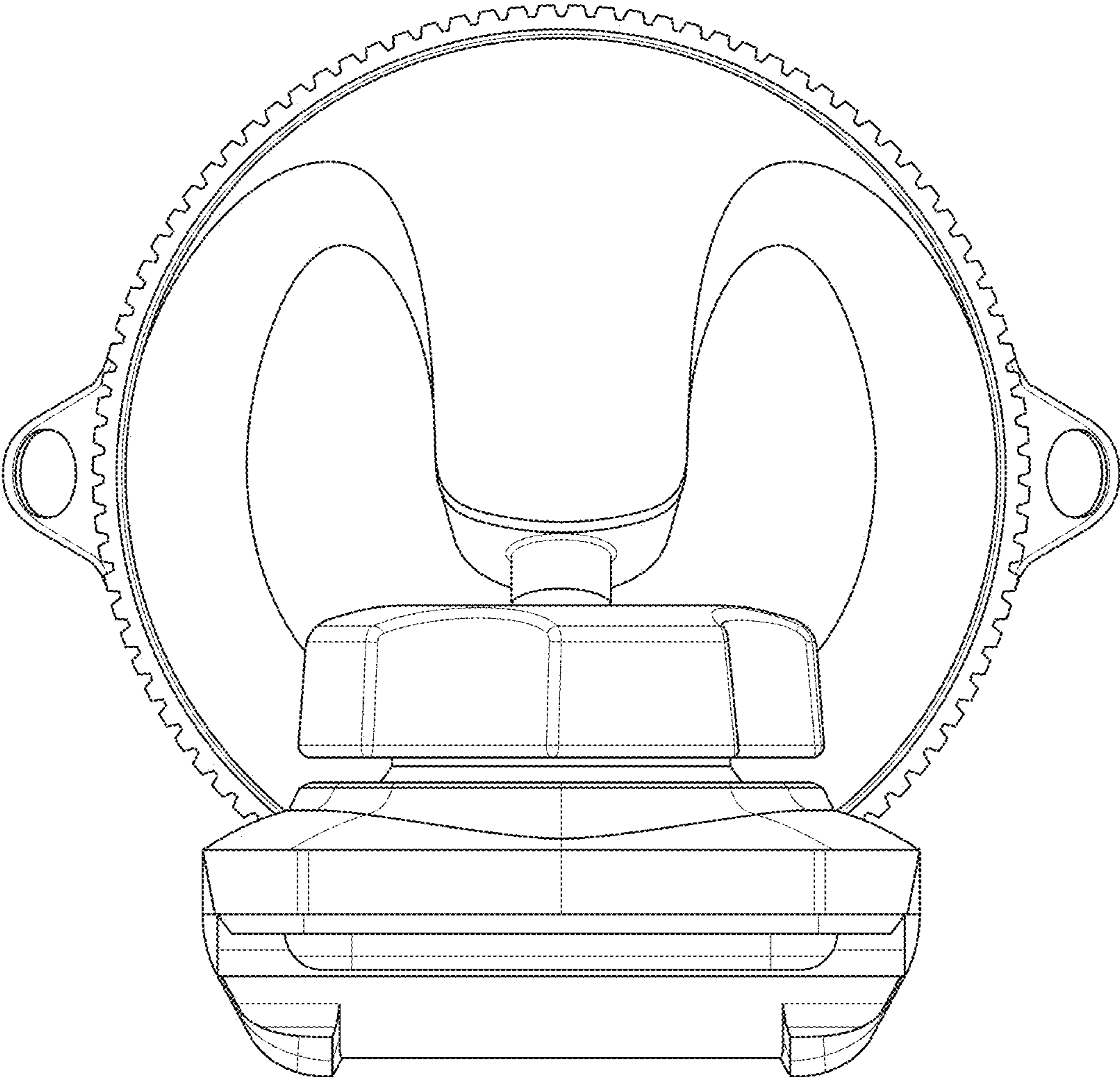


FIG. 1

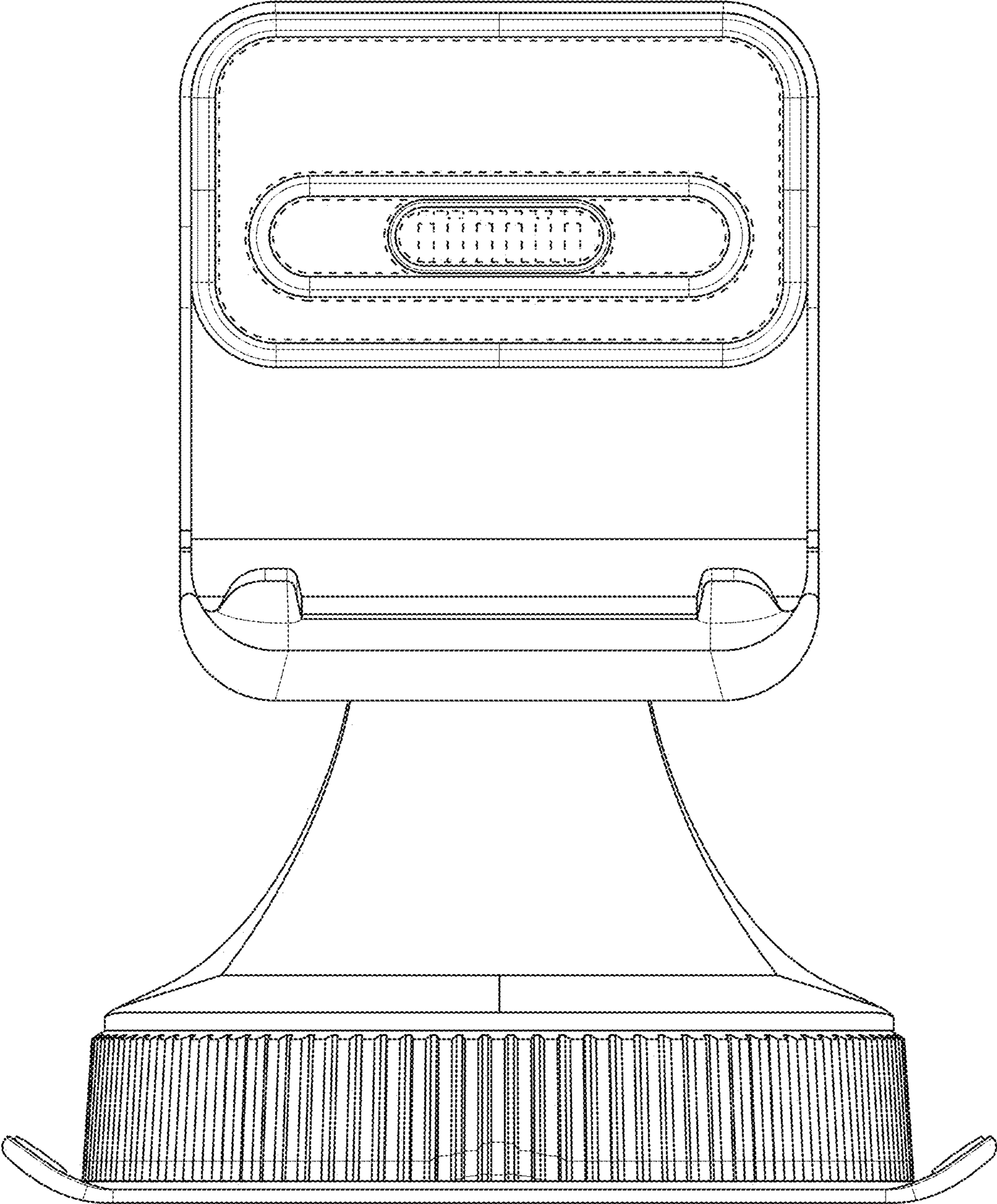


FIG. 2

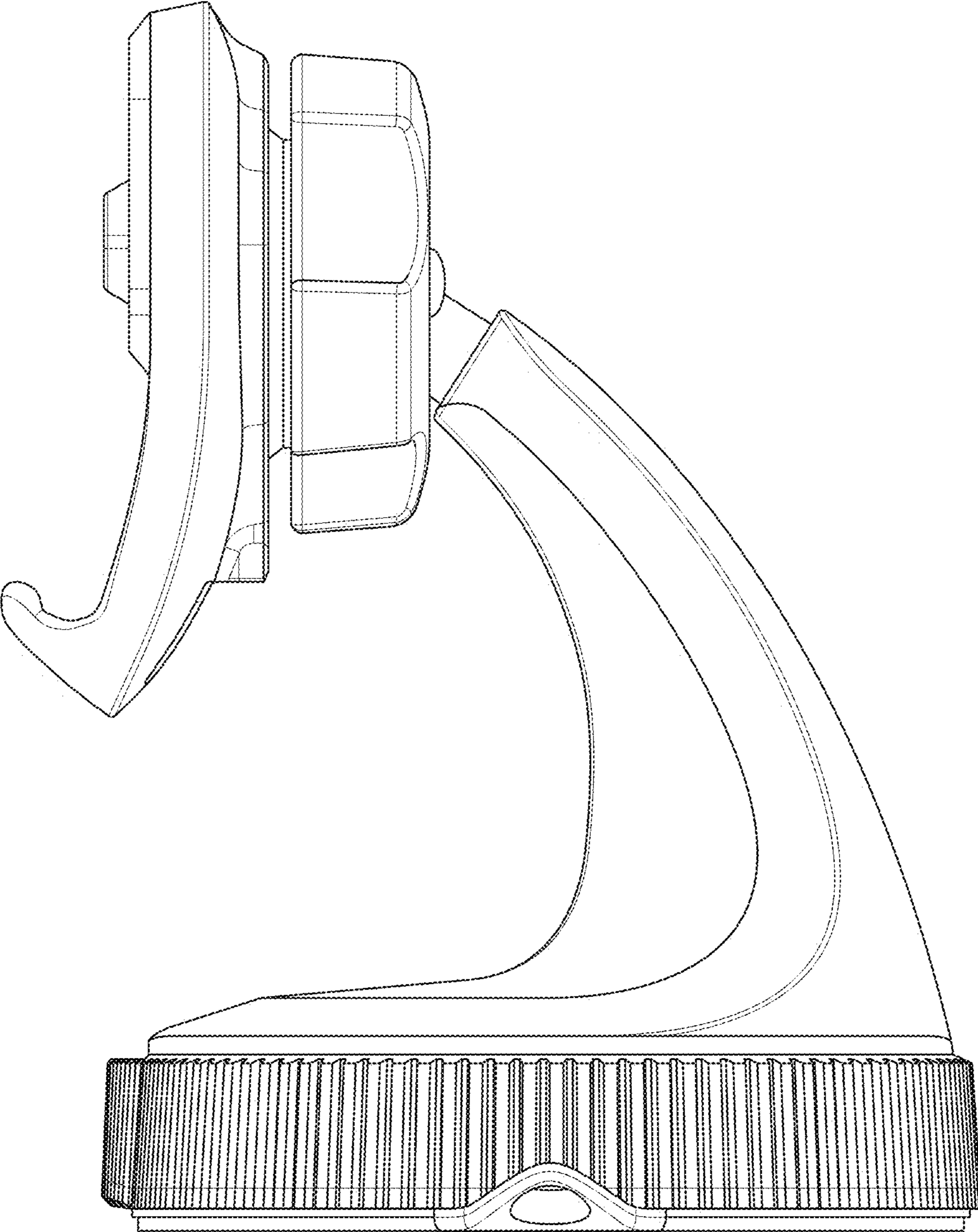


FIG. 3

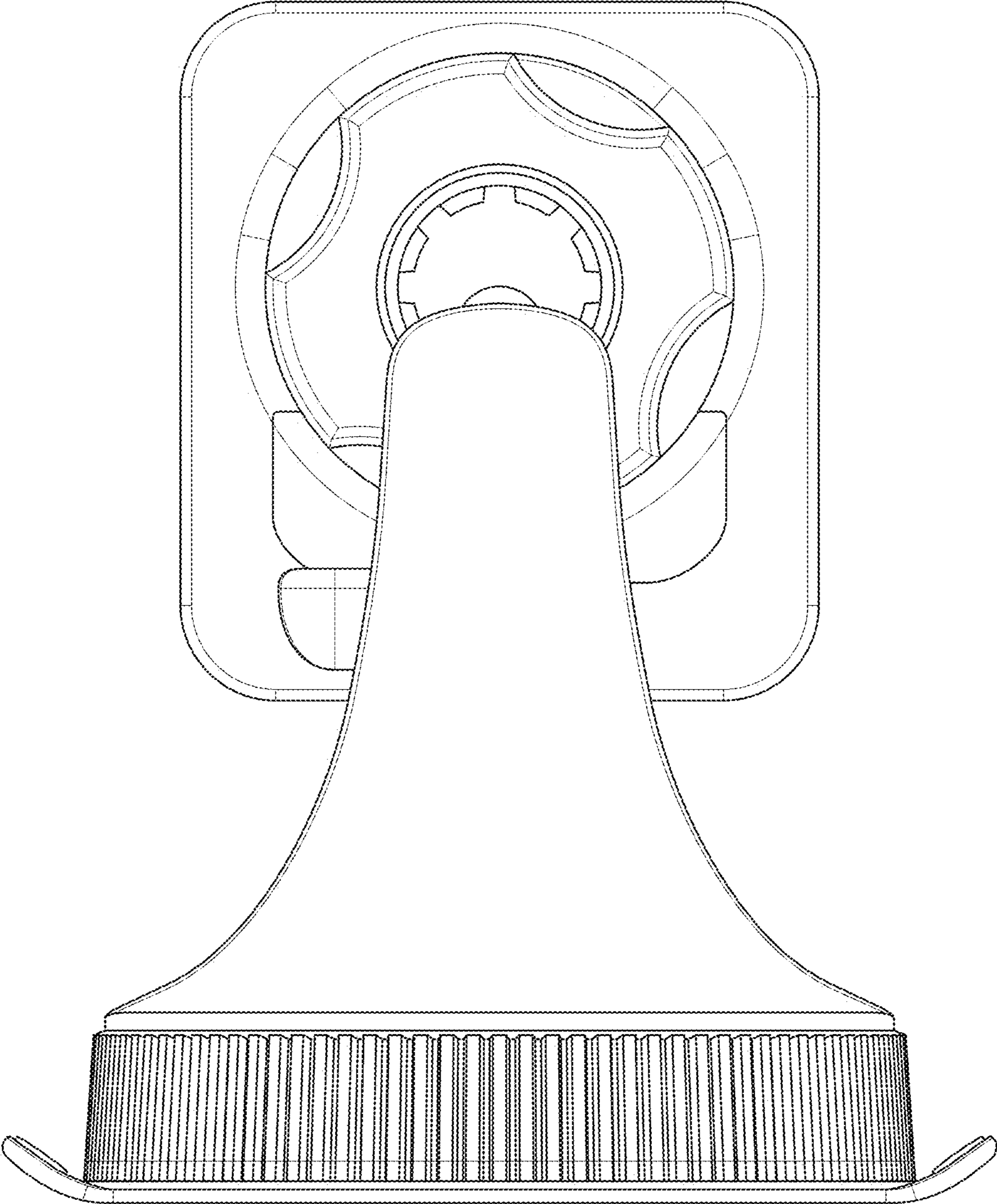


FIG. 4

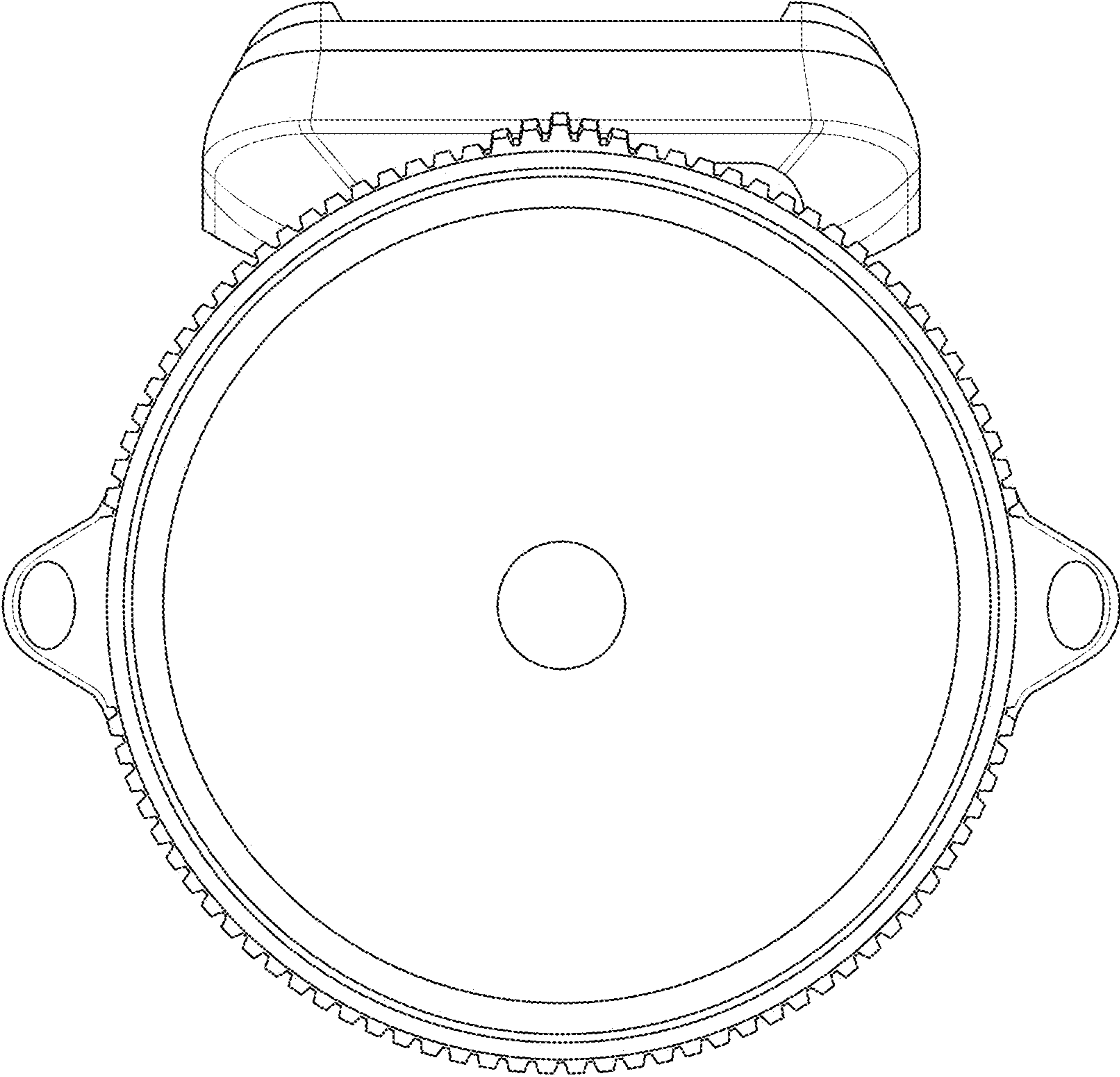


FIG. 5

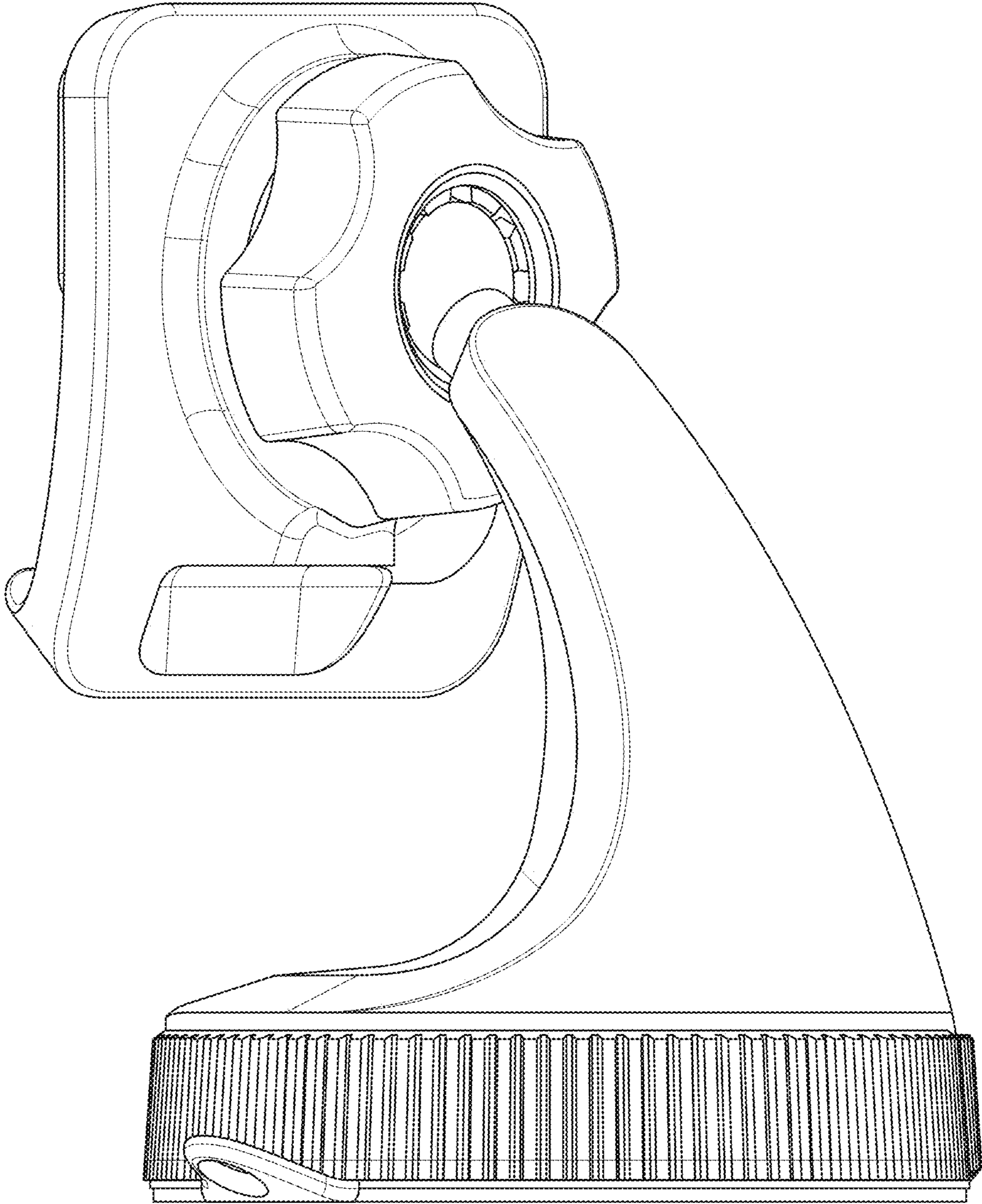


FIG. 6

UNITED STATES PATENT AND TRADEMARK OFFICE
CERTIFICATE OF CORRECTION

PATENT NO. : D976,035 S
APPLICATION NO. : 29/747999
DATED : January 24, 2023
INVENTOR(S) : You Yongjie and Nicholas Alexander Evans

Page 1 of 1

It is certified that error appears in the above-identified patent and that said Letters Patent is hereby corrected as shown below:

On the Title Page

Foreign application priority data should be listed as follows:

(30) Foreign Application Priority Data
February 27, 2020 (EM) 007719307

Signed and Sealed this
Twelfth Day of September, 2023
Katherine Kelly Vidal

Katherine Kelly Vidal
Director of the United States Patent and Trademark Office