



US00D976020S

(12) **United States Design Patent**
Shaw et al.

(10) **Patent No.:** **US D976,020 S**
(45) **Date of Patent:** **** Jan. 24, 2023**

(54) **FOLDABLE COMPACT SEAT**

(71) Applicants: **Terry Glen Shaw**, McAlester, OK
(US); **George John Carstens**, Tulsa,
OK (US)

(72) Inventors: **Terry Glen Shaw**, McAlester, OK
(US); **George John Carstens**, Tulsa,
OK (US)

(**) Term: **15 Years**

(21) Appl. No.: **29/776,017**

(22) Filed: **Mar. 26, 2021**

(51) **LOC (14) Cl.** **06-01**

(52) **U.S. Cl.**
USPC **D6/368; D6/601**

(58) **Field of Classification Search**
USPC D6/349, 380, 333–335, 353, 355, 356,
D6/374, 601, 611, 368; D24/190
CPC A61F 5/01; A61G 5/1043; A61G 5/1045;
A61G 5/1091
See application file for complete search history.

(56) **References Cited**

U.S. PATENT DOCUMENTS

D277,712 S * 2/1985 Dutton D6/334
4,862,535 A * 9/1989 Roberts A47D 13/08
604/386
D318,392 S * 7/1991 Edelson D6/601
(Continued)

OTHER PUBLICATIONS

Contour Folding Pillow, Amazon product page. Date first available:
Jul. 2, 2012, Date accessed: Jul. 21, 2022, Available on the Internet
URL: <https://www.amazon.com/Contour-Products-Folding-Pillow-Inches/dp/B008GSY8K6/> (Year: 2012).*

Primary Examiner — S. Bryan Reinholdt, Jr.
Assistant Examiner — Julia S Folkart

(74) *Attorney, Agent, or Firm* — David W. Carstens;
Carstens, Allen & Gourley, LLP

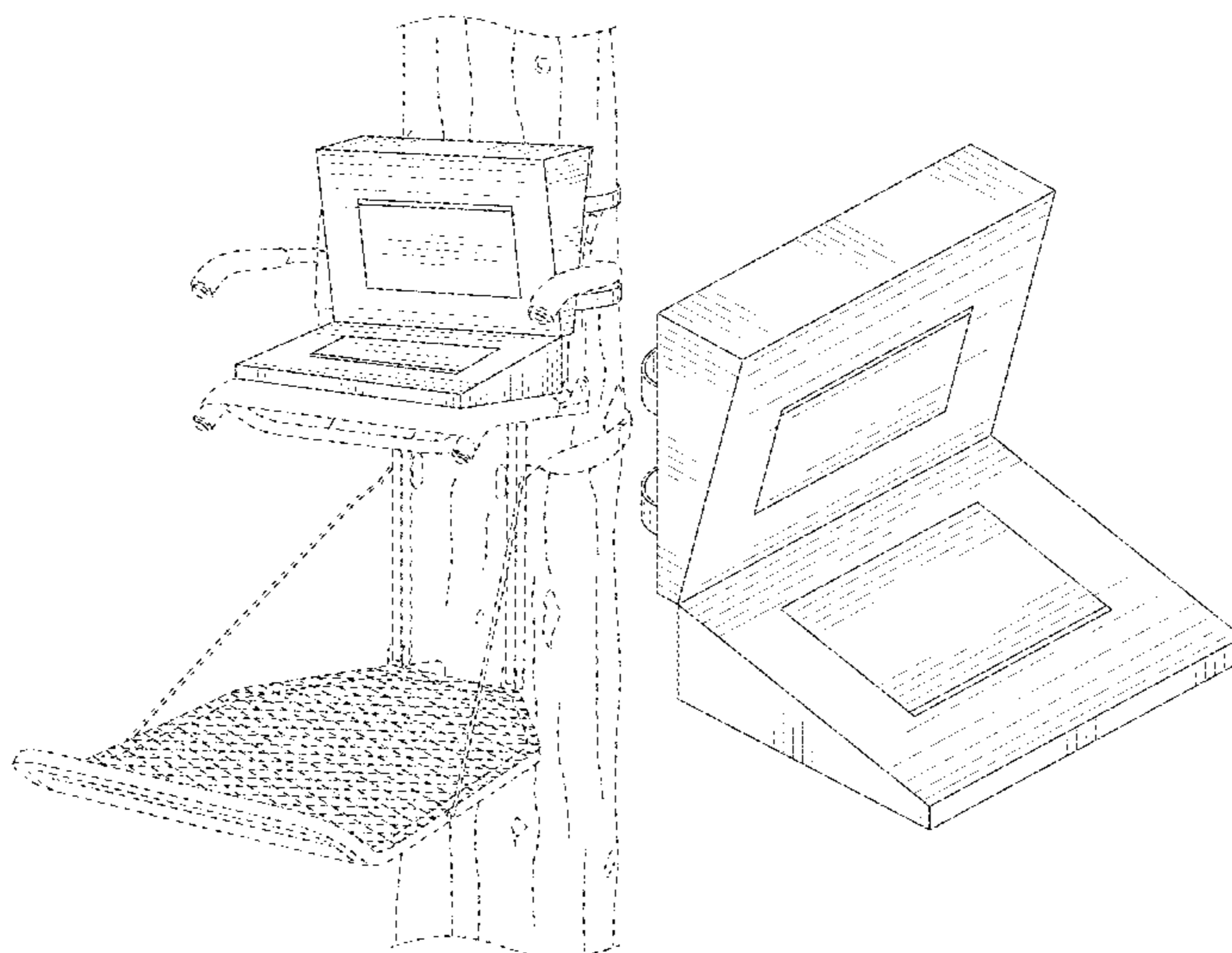
(57) **CLAIM**

The ornamental design for a foldable compact seat, as shown
and described.

DESCRIPTION

FIG. 1 is a front open perspective view illustration of a
foldable compact seat;
FIG. 2 is a front closed perspective view illustration of a
foldable compact seat;
FIG. 3 is a left side closed view illustration of a foldable
compact seat;
FIG. 4 is a right side closed view illustration of a foldable
compact seat;
FIG. 5 is a front closed view illustration of a foldable
compact seat;
FIG. 6 is a rear closed view illustration of a foldable compact
seat;
FIG. 7 is a top closed view illustration of a foldable compact
seat;
FIG. 8 is a bottom closed view illustration of a foldable
compact seat.
FIG. 9 is a front open perspective view illustration of a
foldable compact seat;
FIG. 10 is a left side open view illustration of a foldable
compact seat;
FIG. 11 is a right side open view illustration of a foldable
compact seat;
FIG. 12 is a front open view illustration of a foldable
compact seat;
FIG. 13 is a rear open view illustration of a foldable compact
seat;
FIG. 14 is a top open view illustration of a foldable compact
seat; and,
FIG. 15 is a bottom open view illustration of a foldable
compact seat.
The broken lines depict environment that forms no part of
the claimed design.

1 Claim, 9 Drawing Sheets



(56)

References Cited

U.S. PATENT DOCUMENTS

D319,365 S * 8/1991 Edelson D6/601
5,105,489 A * 4/1992 Meyer A61F 5/01
5/652
D347,330 S * 5/1994 Kinsman D6/334
D446,676 S * 8/2001 Mayes D6/601
D897,127 S * 9/2020 Li D6/380
D906,705 S * 1/2021 Jang D6/335
D921,399 S * 6/2021 Michover D6/601
11,039,689 B1 * 6/2021 Voltz A45D 44/10
D950,979 S * 5/2022 Rifelj D6/601

* cited by examiner

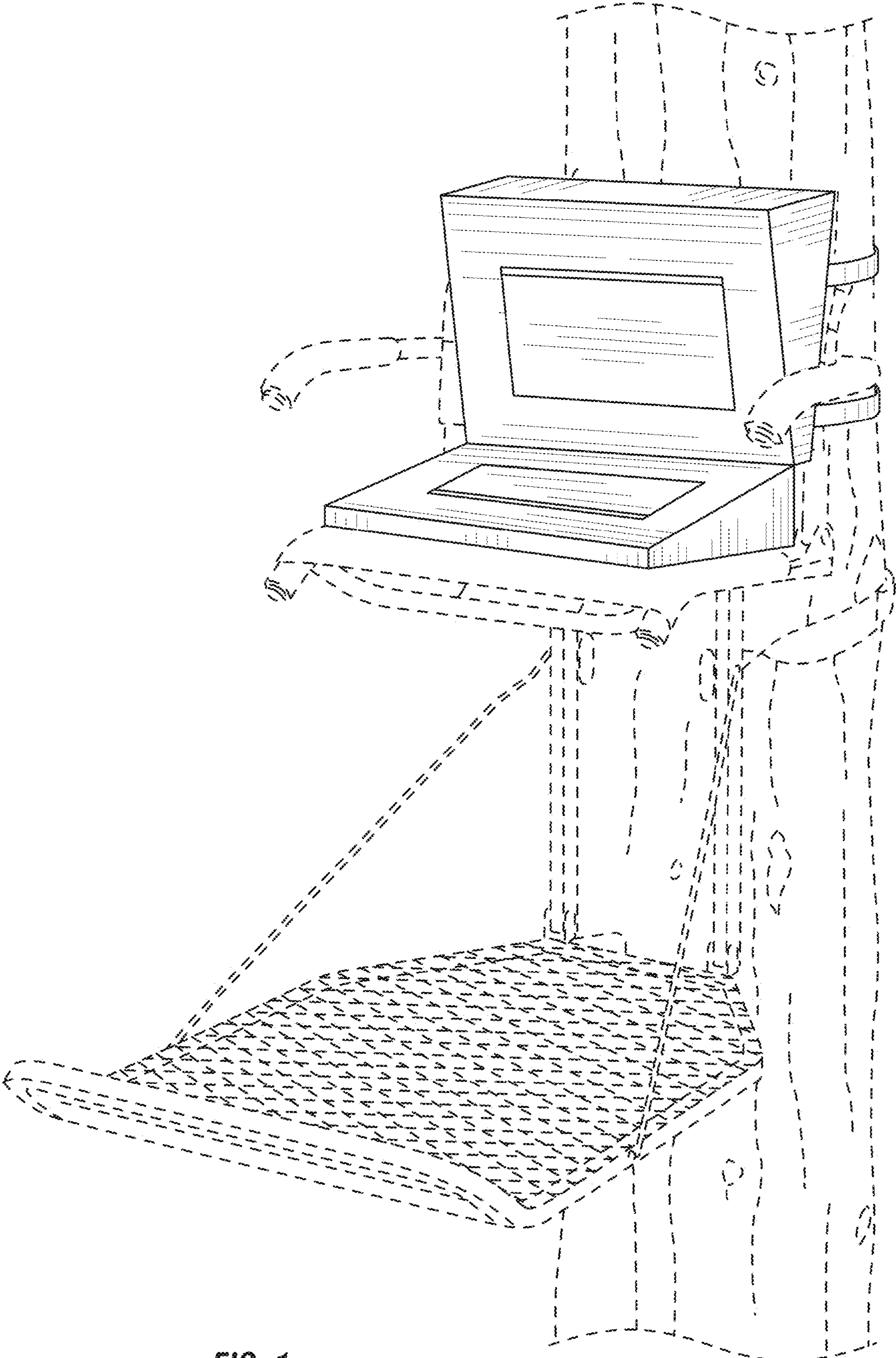


FIG. 1

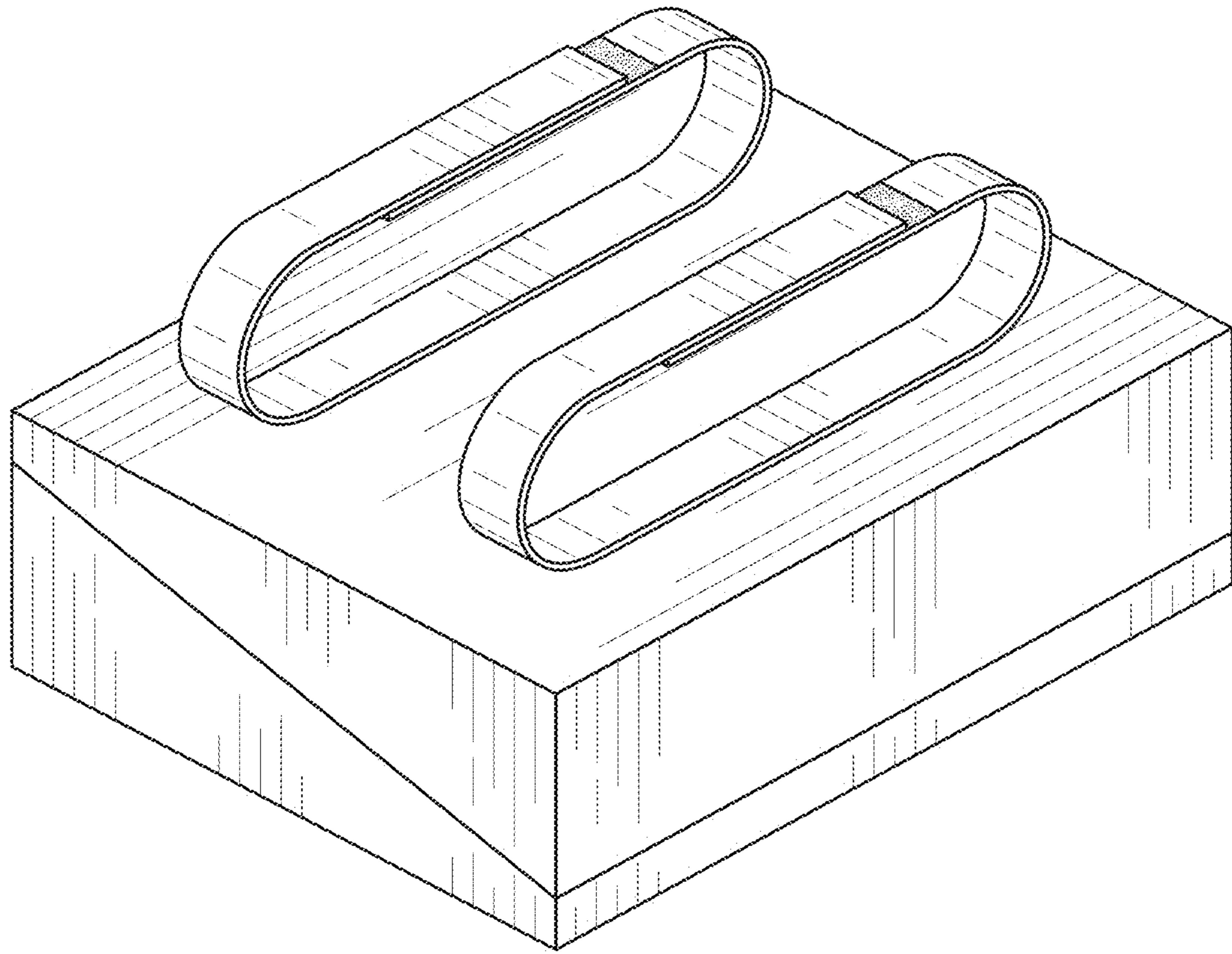


FIG. 2

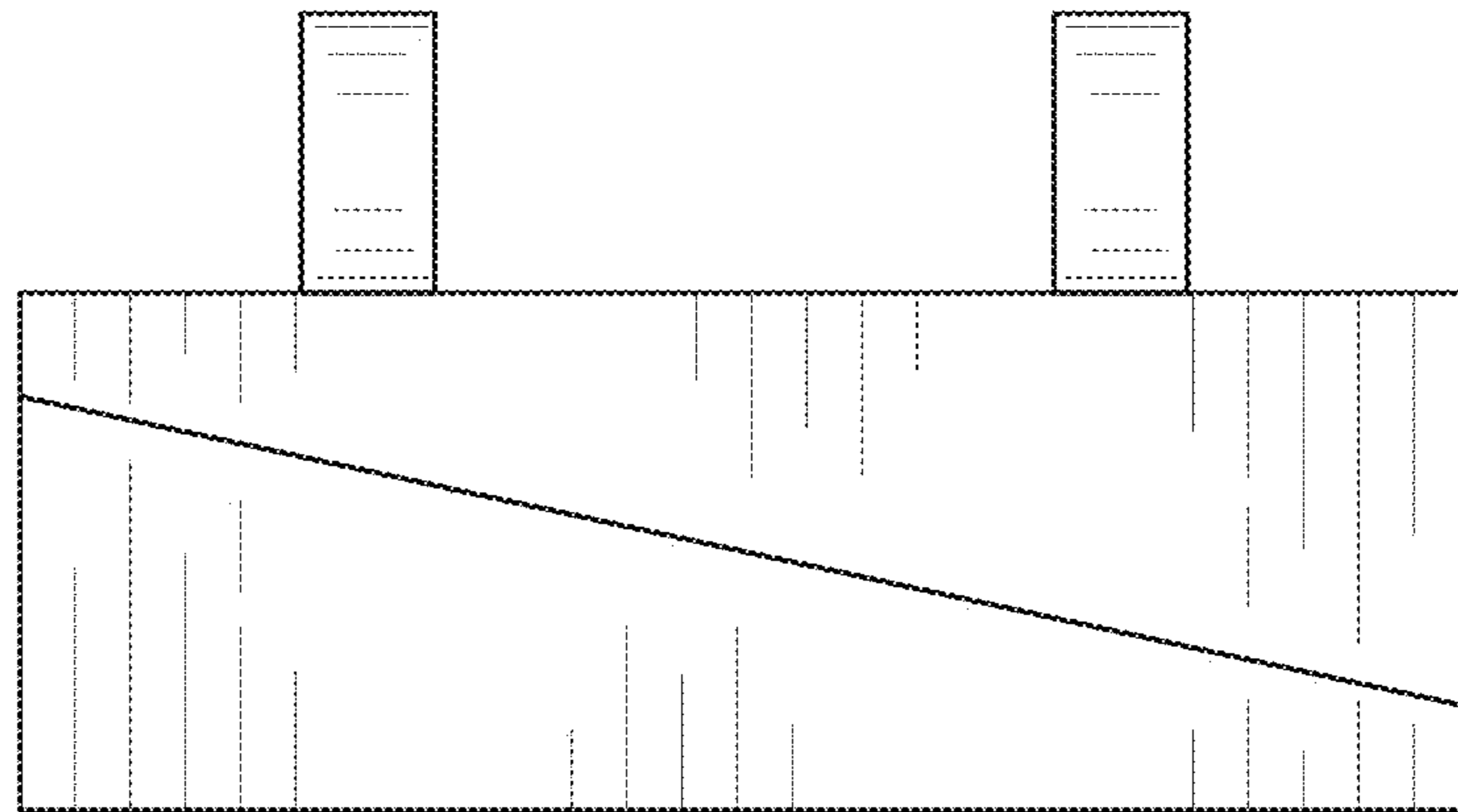


FIG. 3

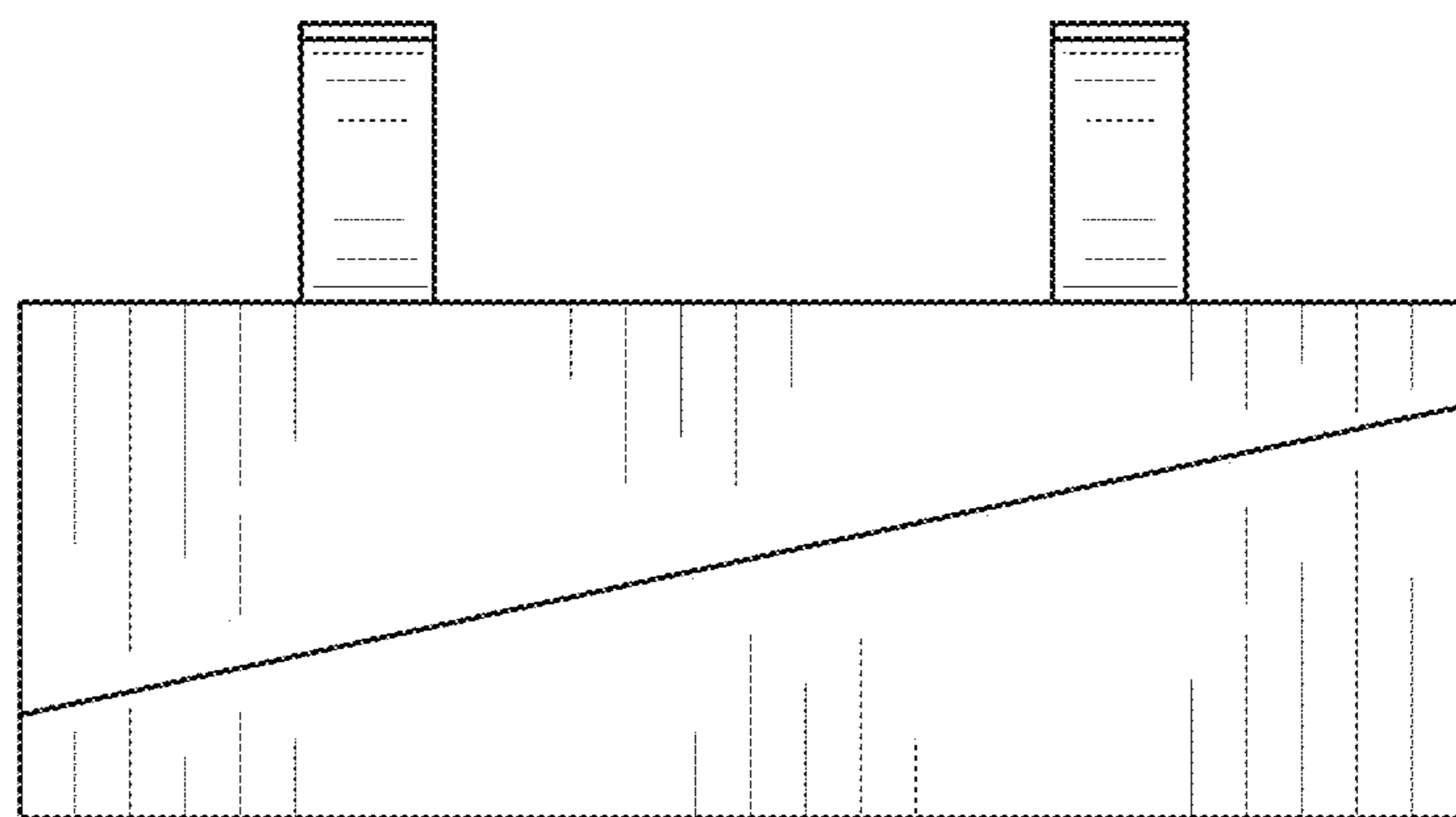


FIG. 4

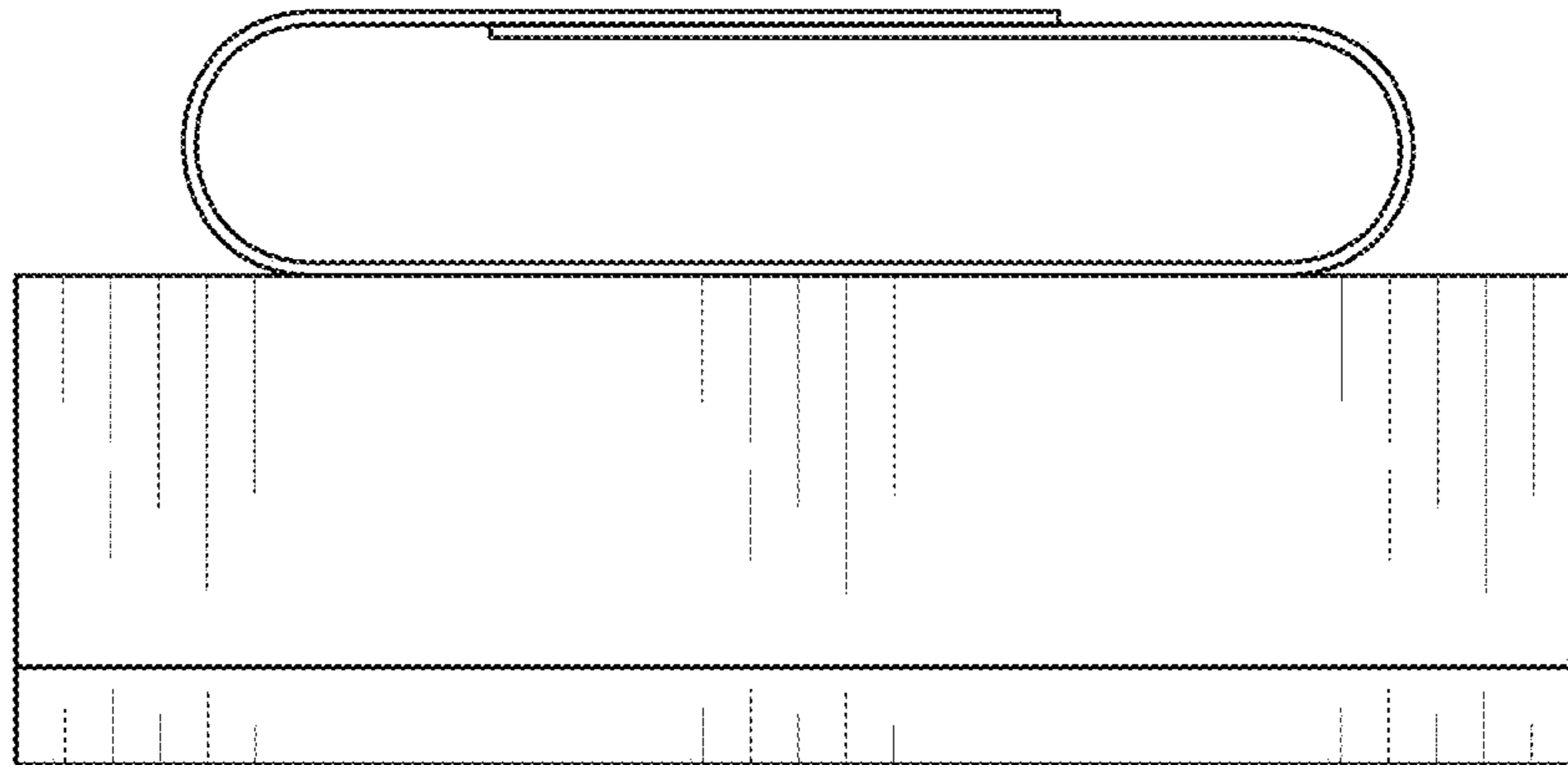


FIG. 5

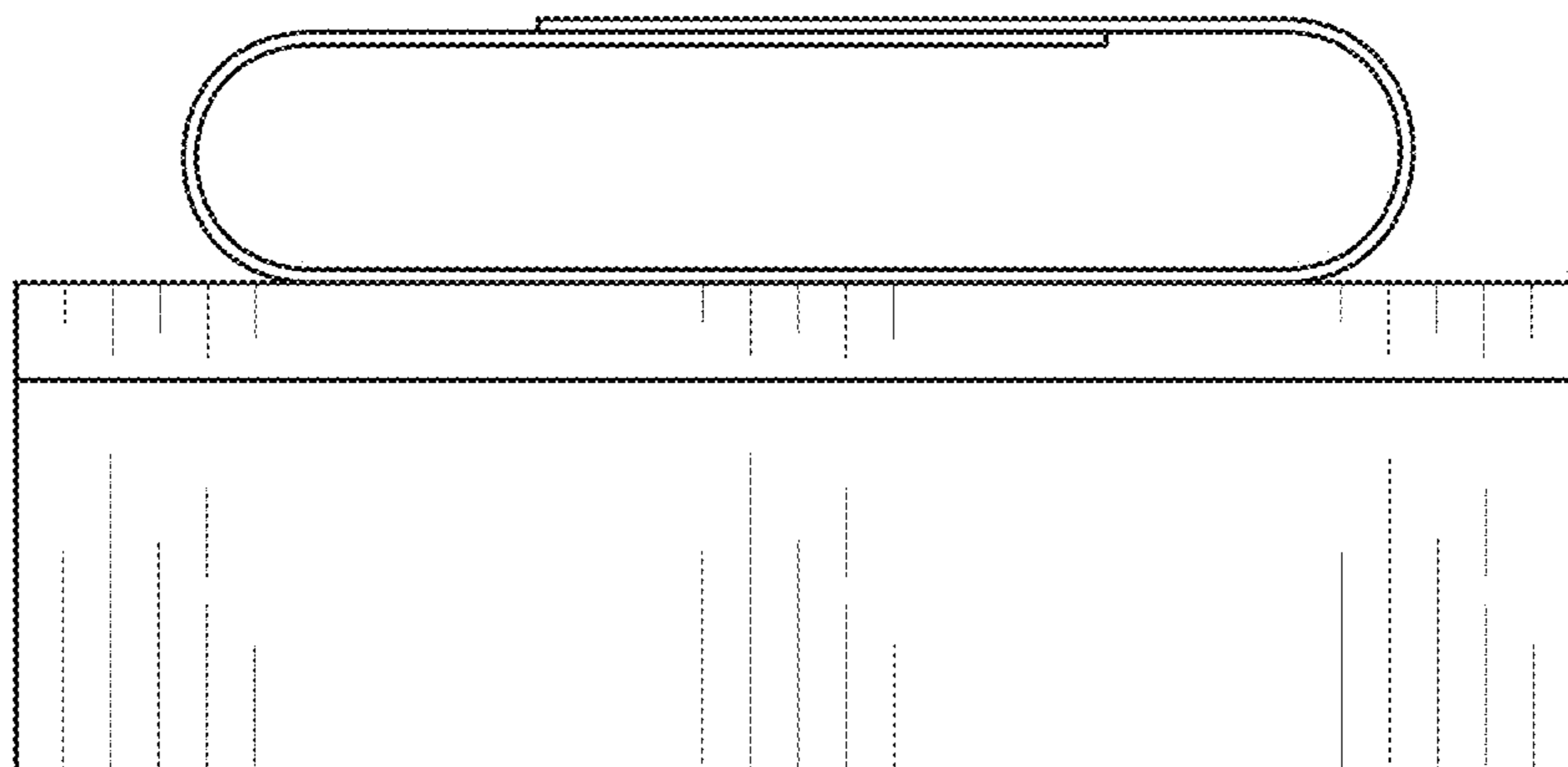


FIG. 6

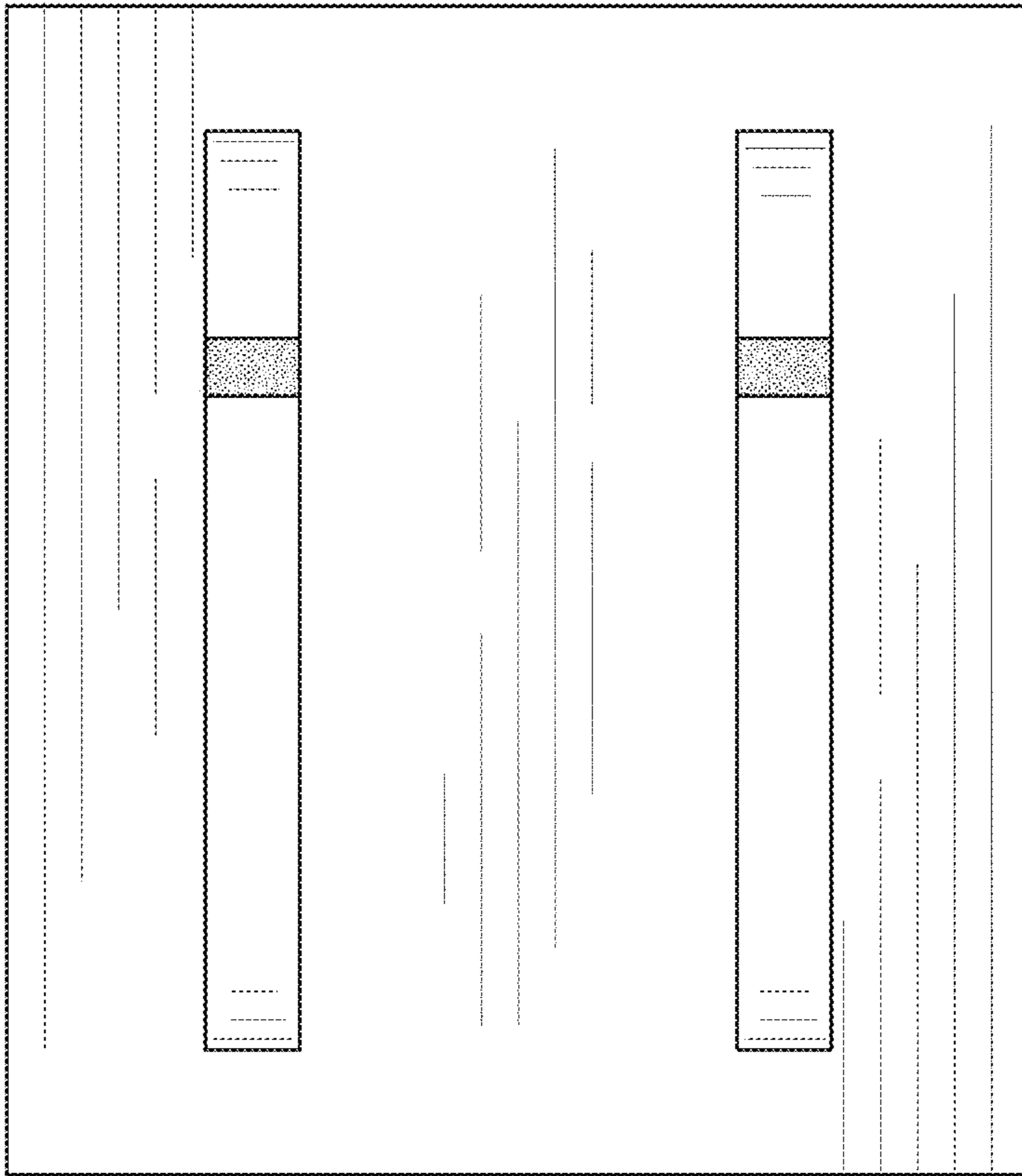


FIG. 8

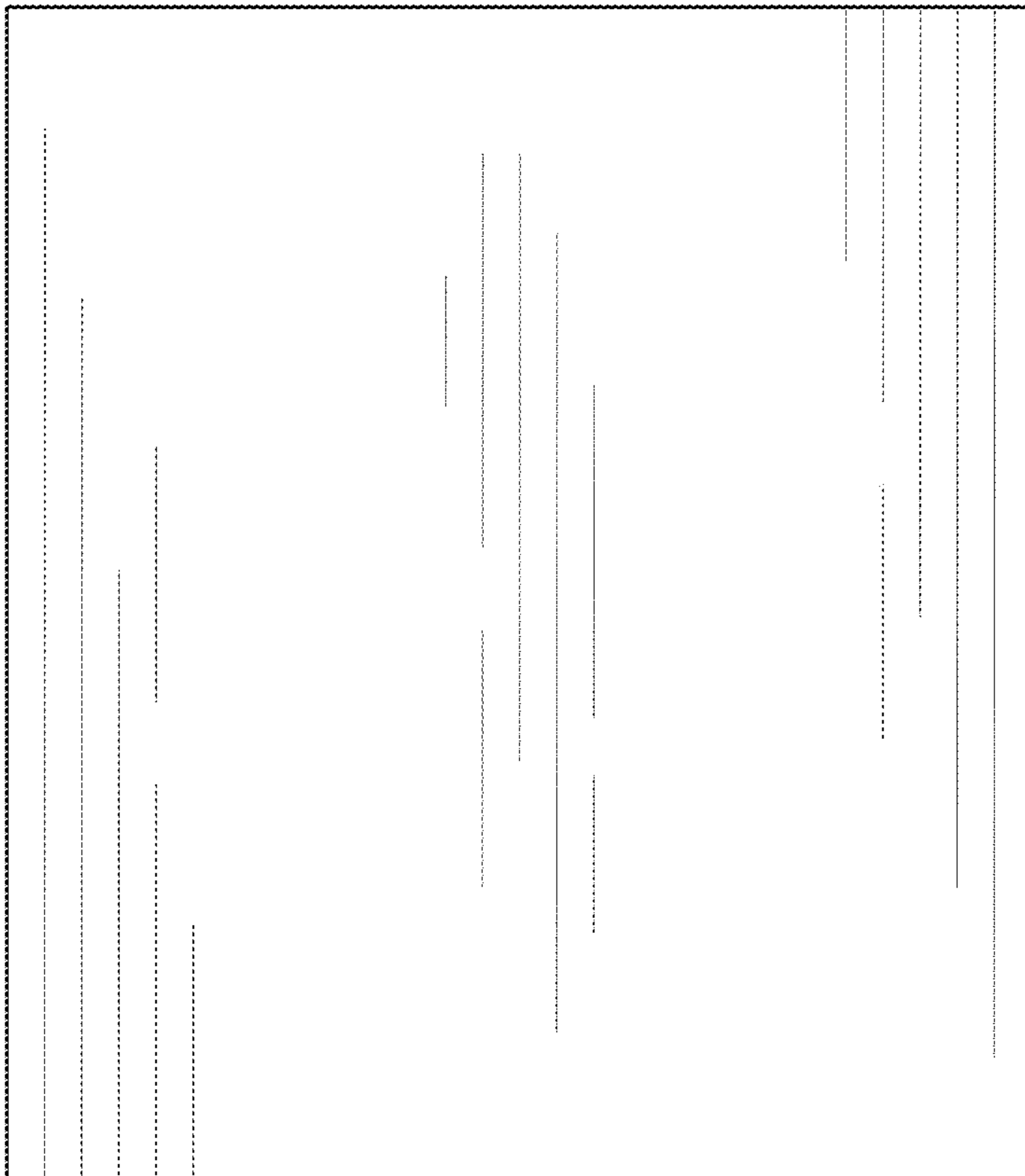


FIG. 7

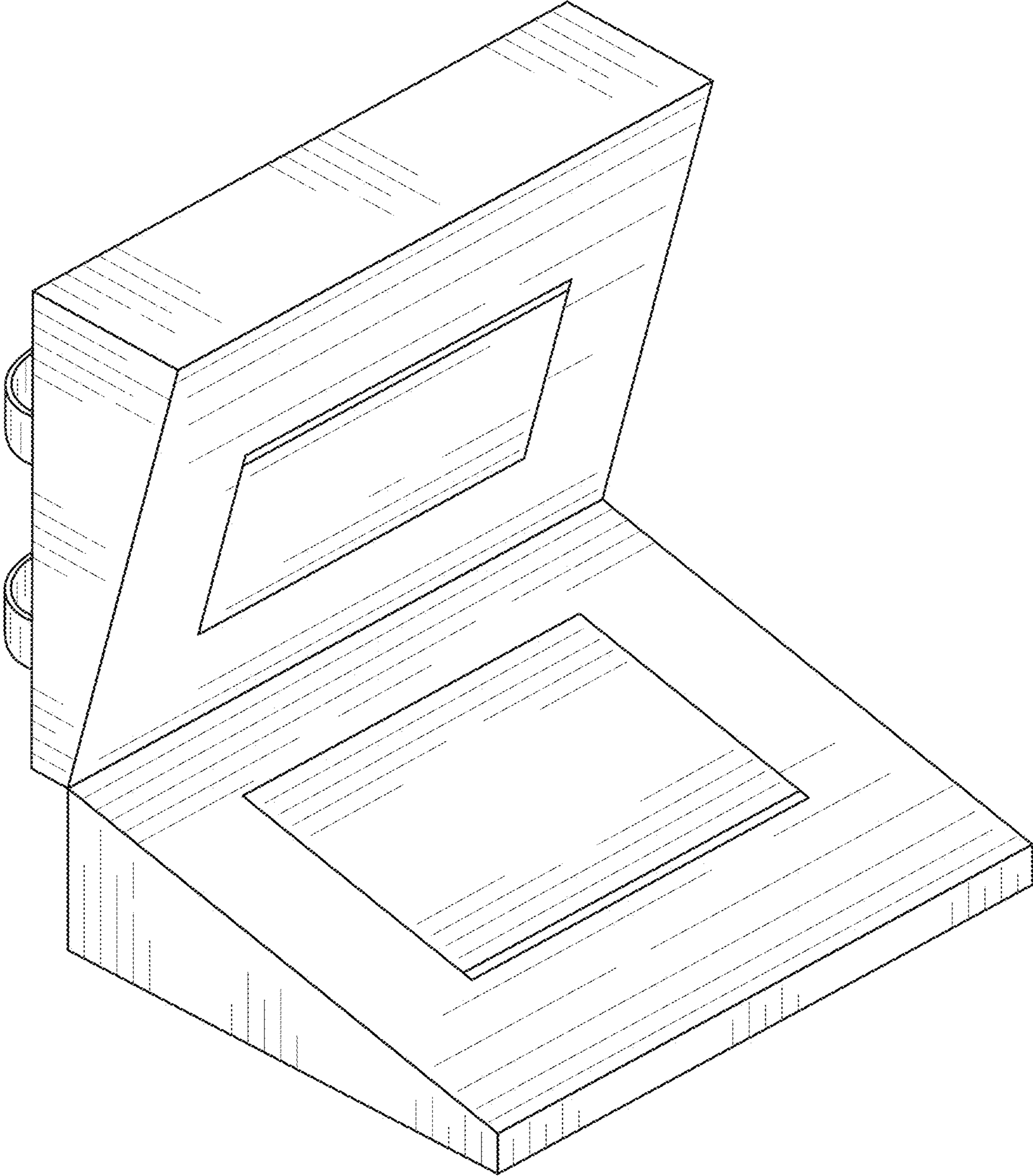


FIG. 9



FIG. 11

FIG. 10

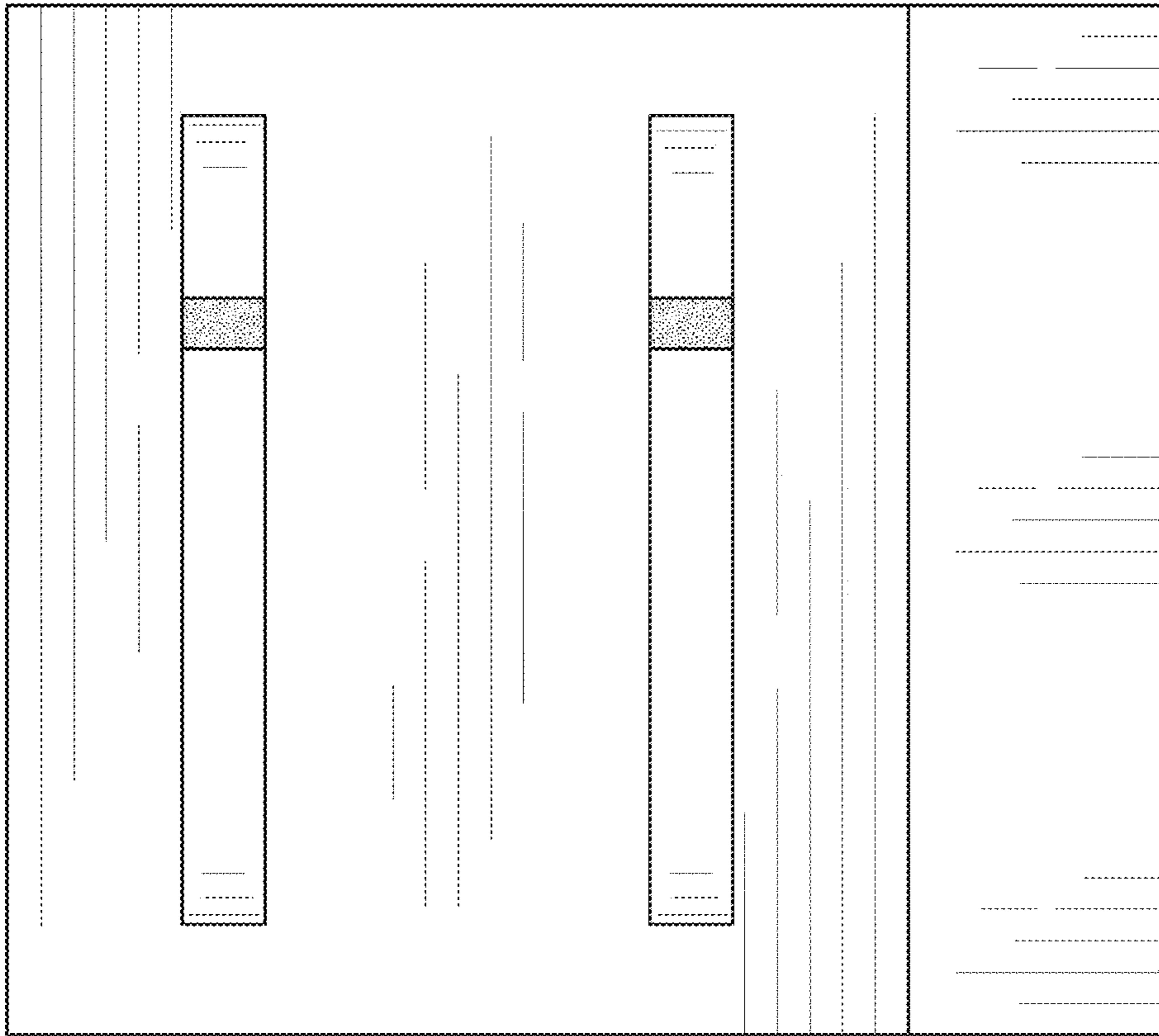


FIG. 13

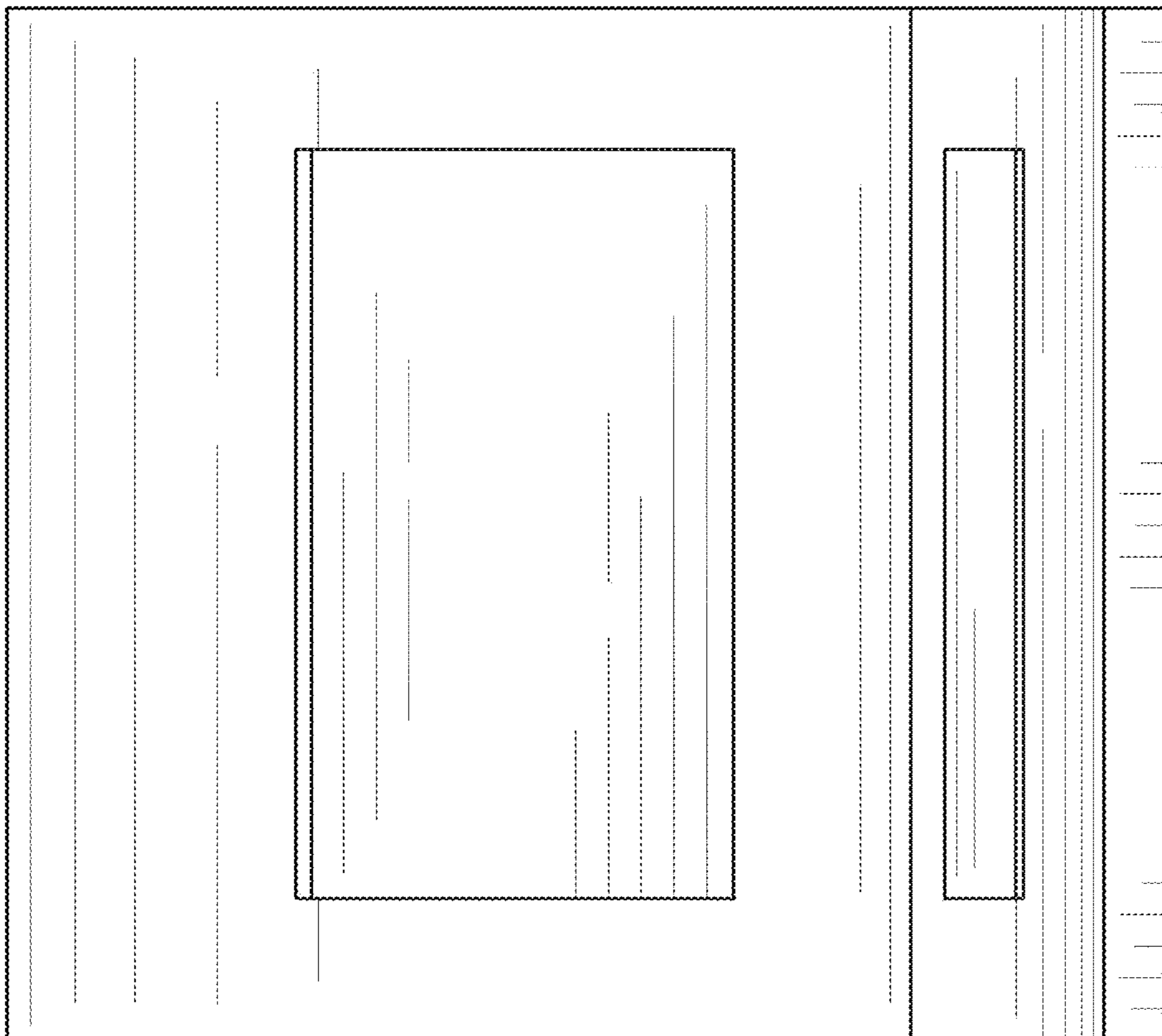


FIG. 12

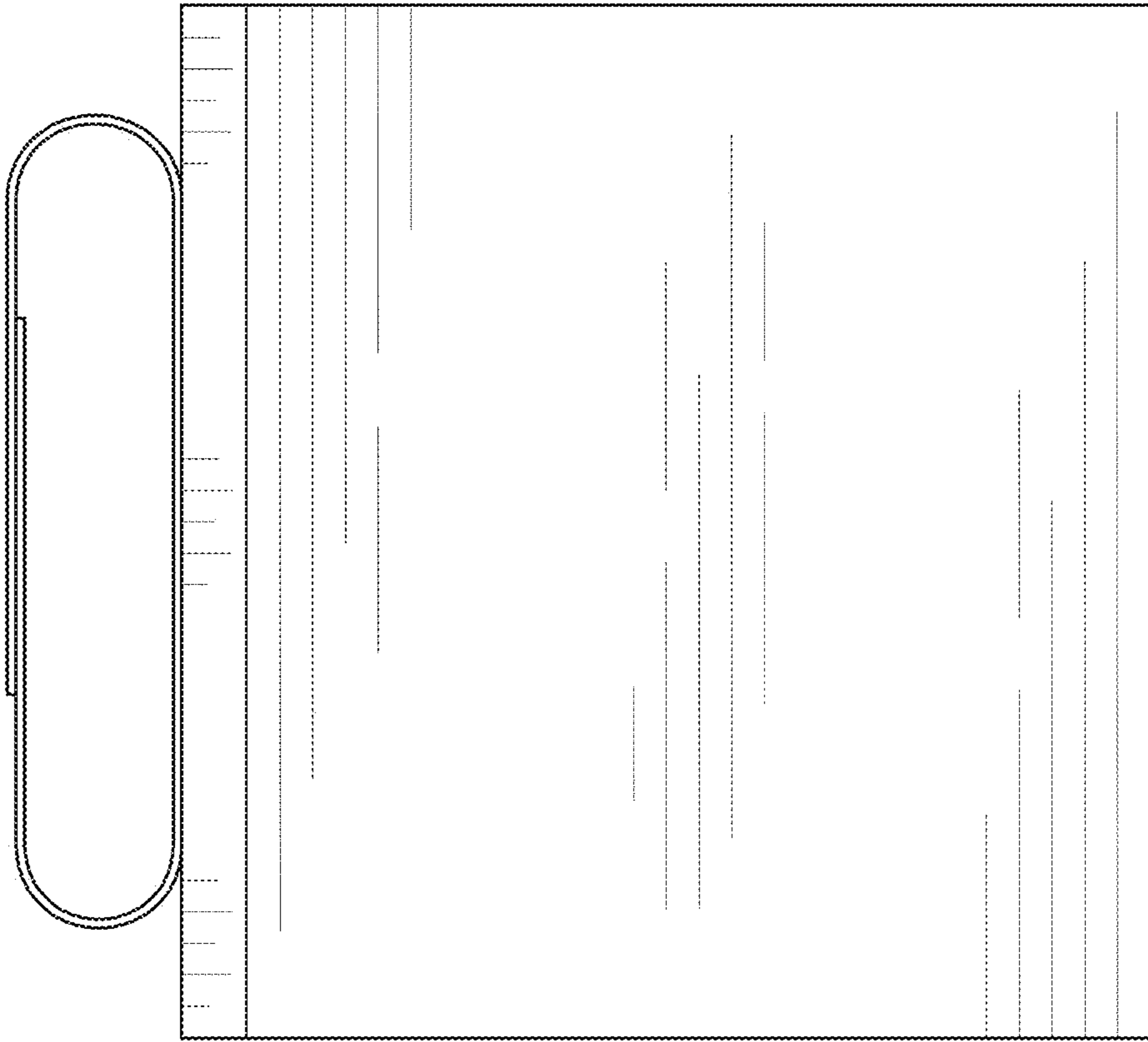


FIG. 14

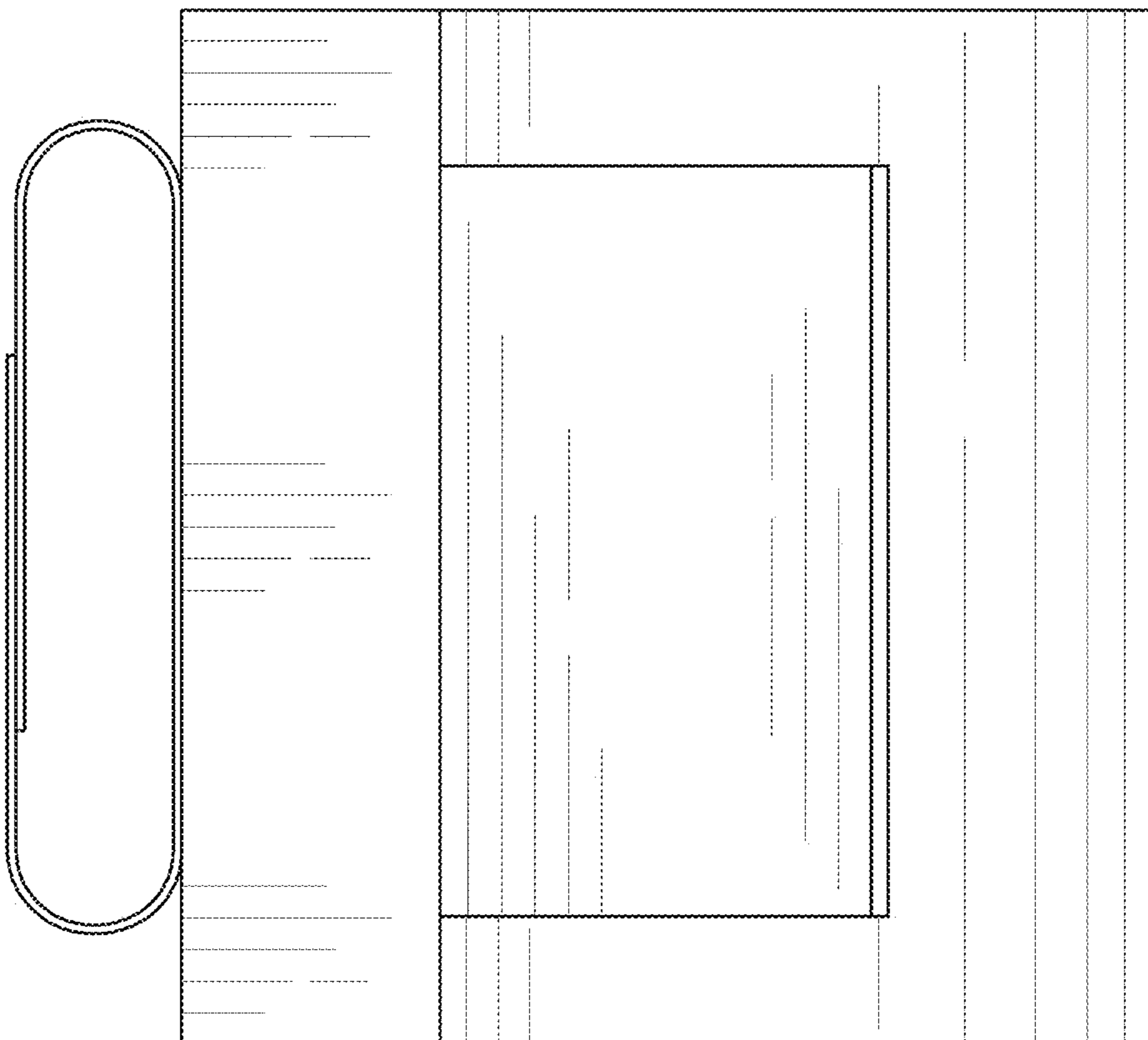


FIG. 15