



US00D976019S

(12) **United States Design Patent**
Wang

(10) **Patent No.:** **US D976,019 S**
(45) **Date of Patent:** **** Jan. 24, 2023**

(54) **ERGONOMIC CHAIR**

(71) Applicant: **Qiang Wang**, Guangzhou (CN)

(72) Inventor: **Qiang Wang**, Guangzhou (CN)

(**) Term: **15 Years**

(21) Appl. No.: **29/813,688**

(22) Filed: **Oct. 31, 2021**

(51) **LOC (14) Cl.** **06-01**

(52) **U.S. Cl.**
USPC **D6/366**

(58) **Field of Classification Search**
USPC D6/356, 362, 366, 367, 374, 375, 379,
D6/380, 716.1

CPC A47C 1/02; A47C 1/022; A47C 1/024;
A47C 1/032; A47C 1/03255; A47C 3/18;
A47C 3/20; A47C 3/025; A47C 3/026;
A47C 7/18; A47C 7/24; A47C 7/36;
A47C 7/46; A47C 9/02; A47C 5/04;
A47C 5/06; A47C 5/08; A47C 5/10

See application file for complete search history.

(56) **References Cited**

U.S. PATENT DOCUMENTS

D290,193 S *	6/1987	Harter	D6/366
D320,120 S *	9/1991	Samuelsson	D6/366
D613,517 S *	4/2010	Yamanaka	D6/366
D661,916 S *	6/2012	Chen	D6/366
D698,167 S *	1/2014	Wan	D6/366
D789,105 S	6/2017	Voigt et al.	
D792,717 S *	7/2017	Webb	D6/366
D863,802 S *	10/2019	Wang	D6/366

D874,842 S *	2/2020	Wang	D6/366
D908,373 S	1/2021	Wang	
D917,947 S *	5/2021	Tang	D6/366
D931,640 S *	9/2021	Feng	D6/366
D941,599 S *	1/2022	Ni	D6/366
D944,025 S *	2/2022	Buffon	D6/366
D944,026 S *	2/2022	Jin	D6/366

OTHER PUBLICATIONS

X-Chair. <https://www.xchair.com/x-tech.html>. "X-Tech Executive" Chair. Jun. 2022 (Year: 2022).*

* cited by examiner

Primary Examiner — R. Johnson

(74) *Attorney, Agent, or Firm* — Jeenam Park

(57) **CLAIM**

The ornamental design for an ergonomic chair, as shown and described.

DESCRIPTION

FIG. 1 is a perspective view of an ergonomic chair, showing my new design;

FIG. 2 is another perspective view thereof;

FIG. 3 is a front view thereof;

FIG. 4 is a rear view thereof;

FIG. 5 is a left side view thereof;

FIG. 6 is a right side view thereof;

FIG. 7 is a top plan view thereof; and,

FIG. 8 is a bottom plan view thereof.

1 Claim, 8 Drawing Sheets

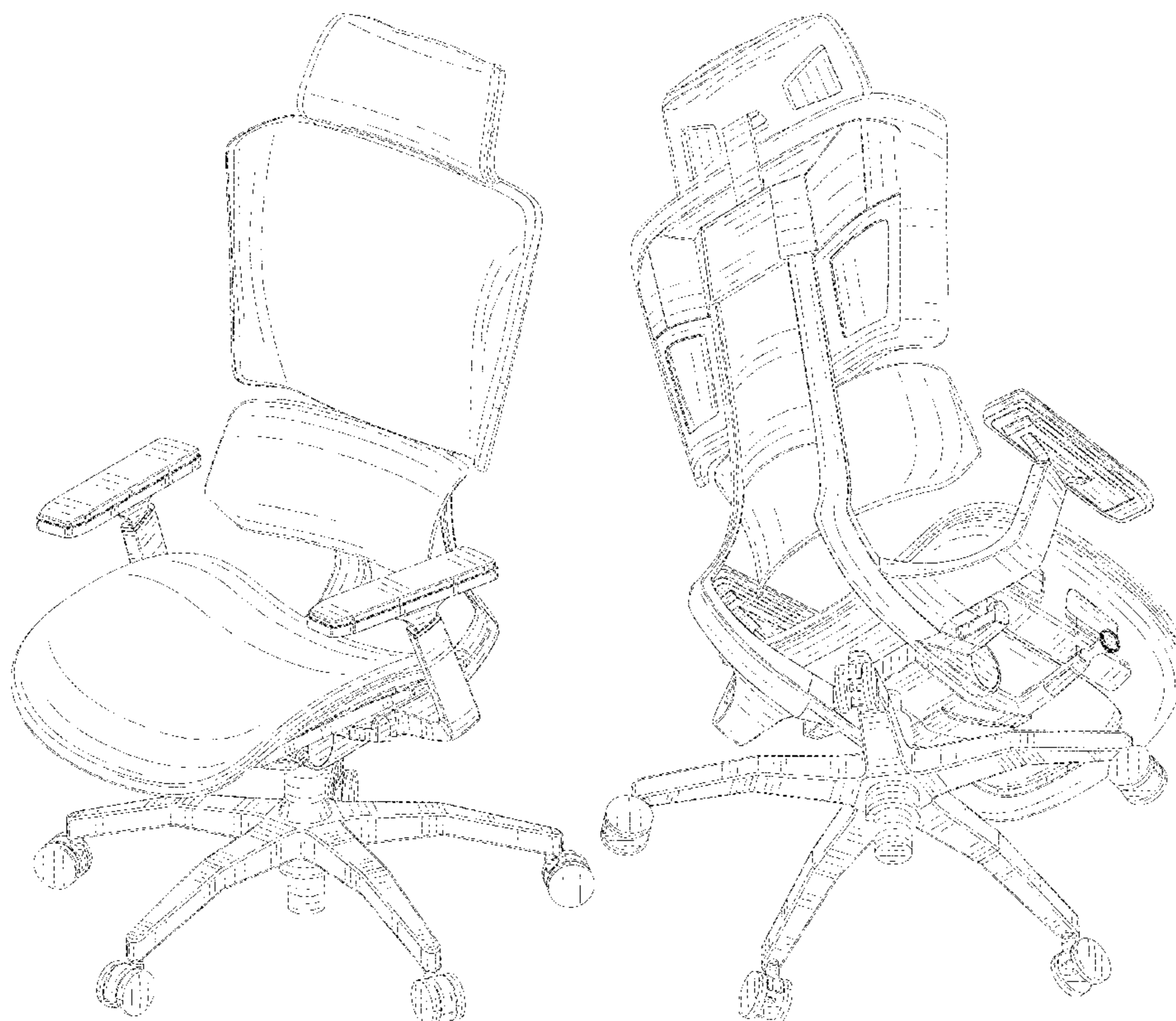




FIG. 1

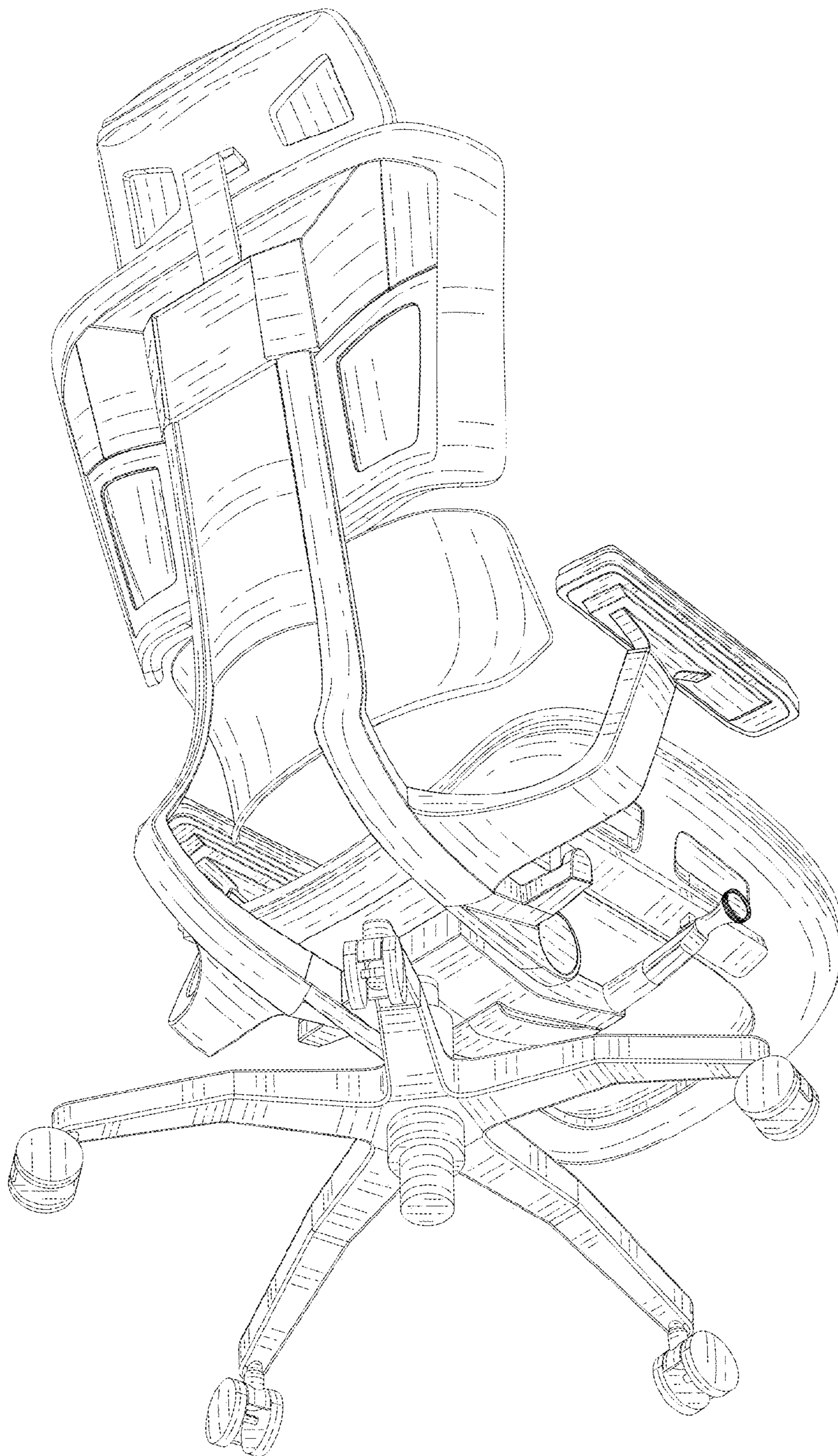


FIG. 2

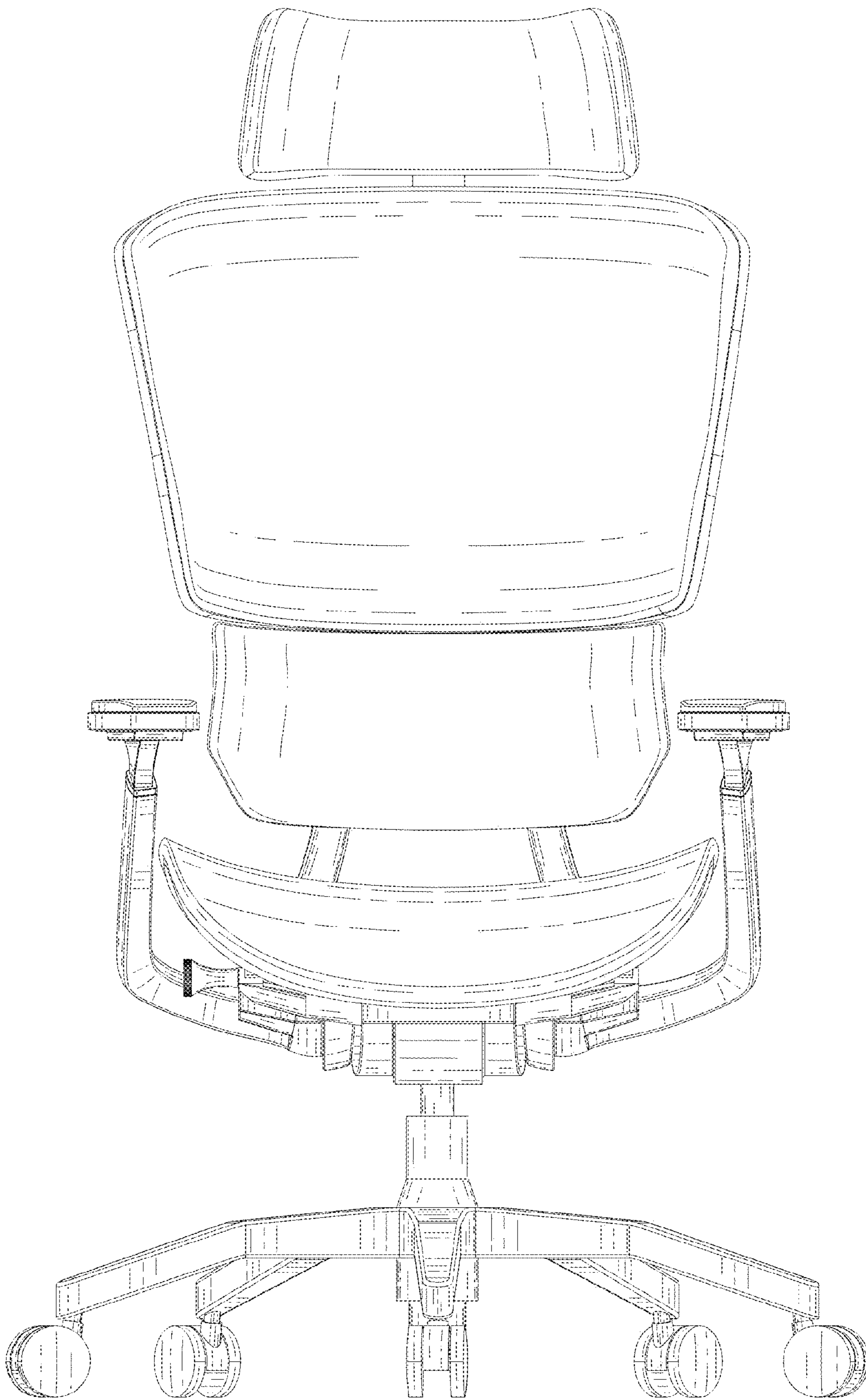


FIG. 3

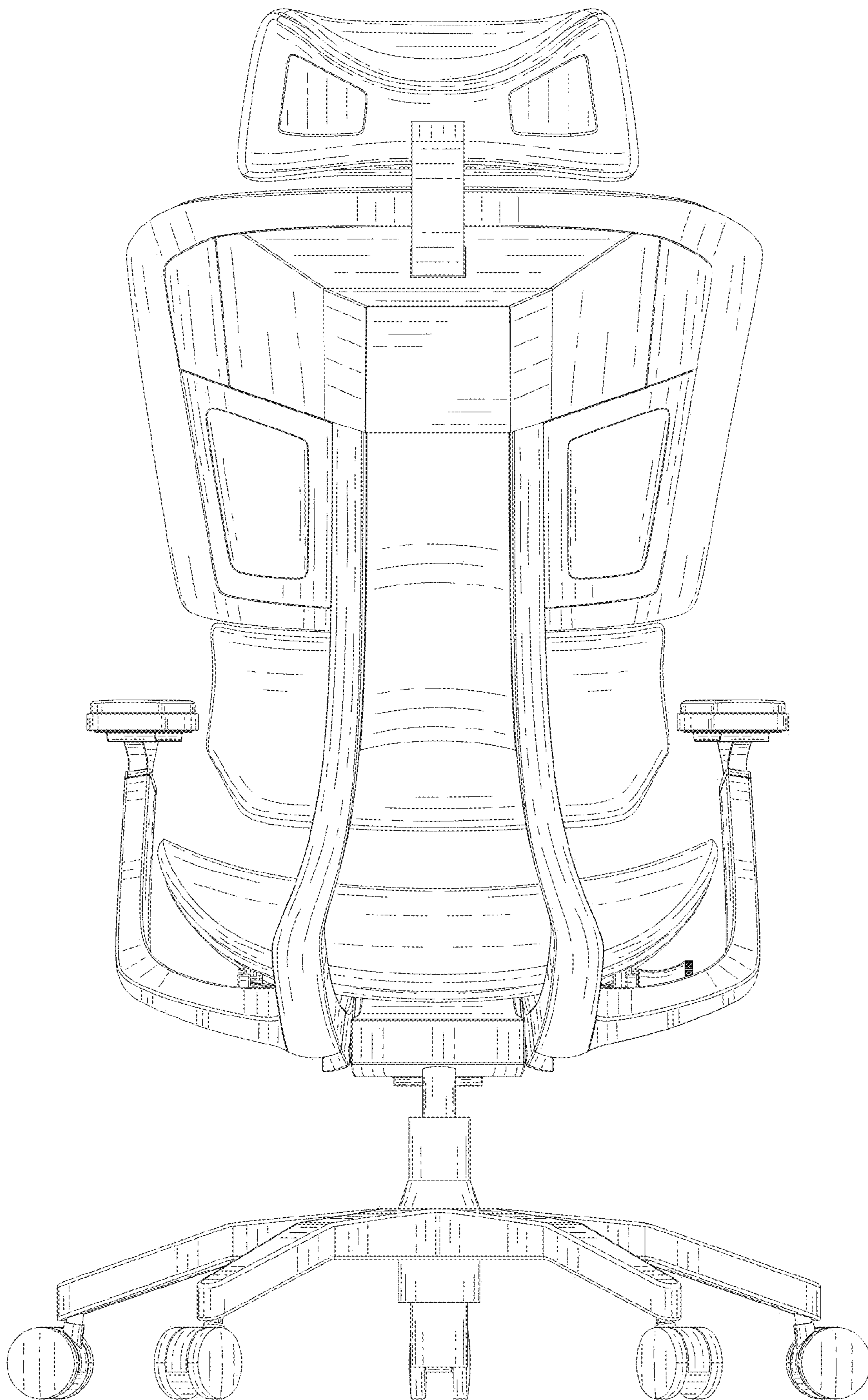


FIG. 4

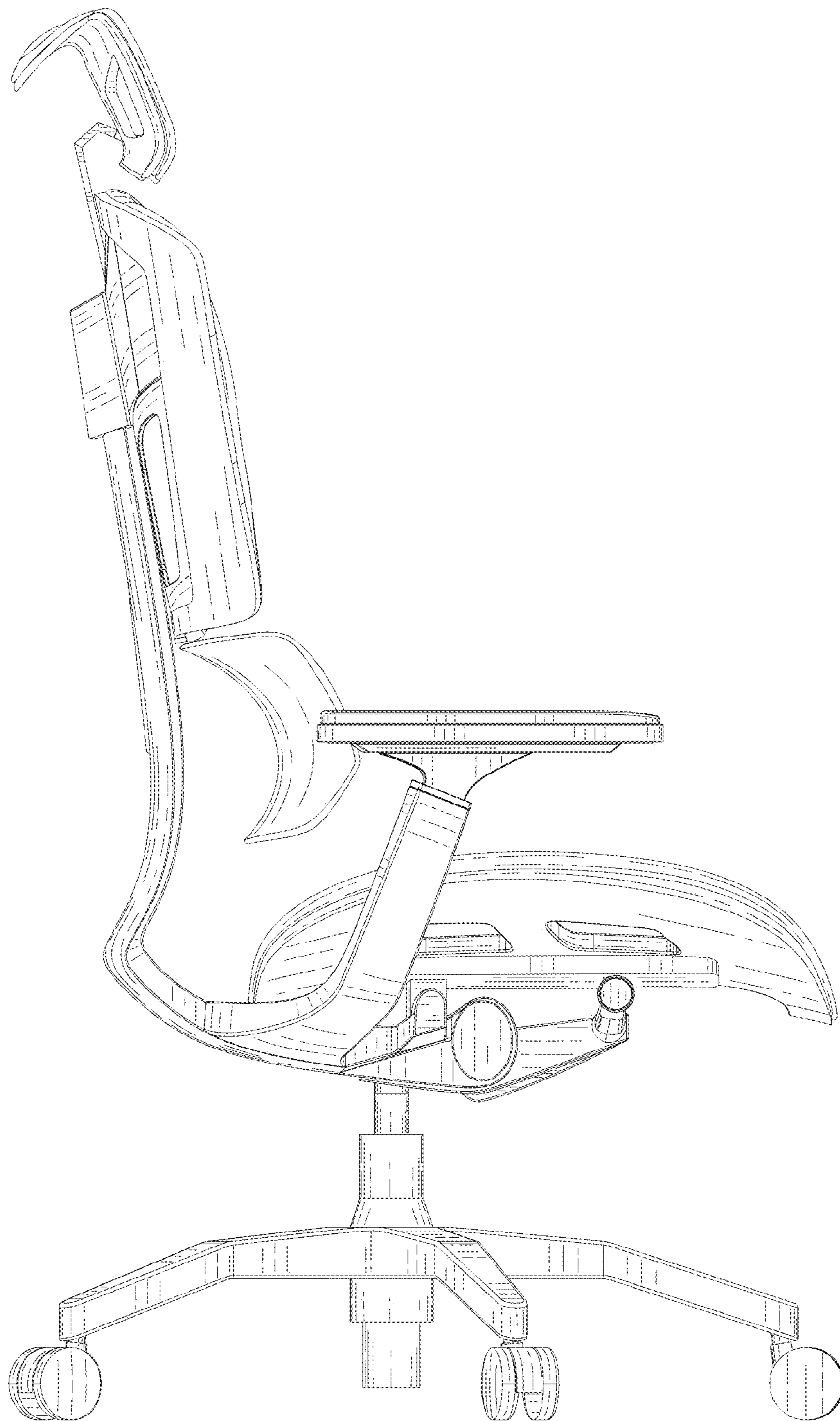


FIG. 5

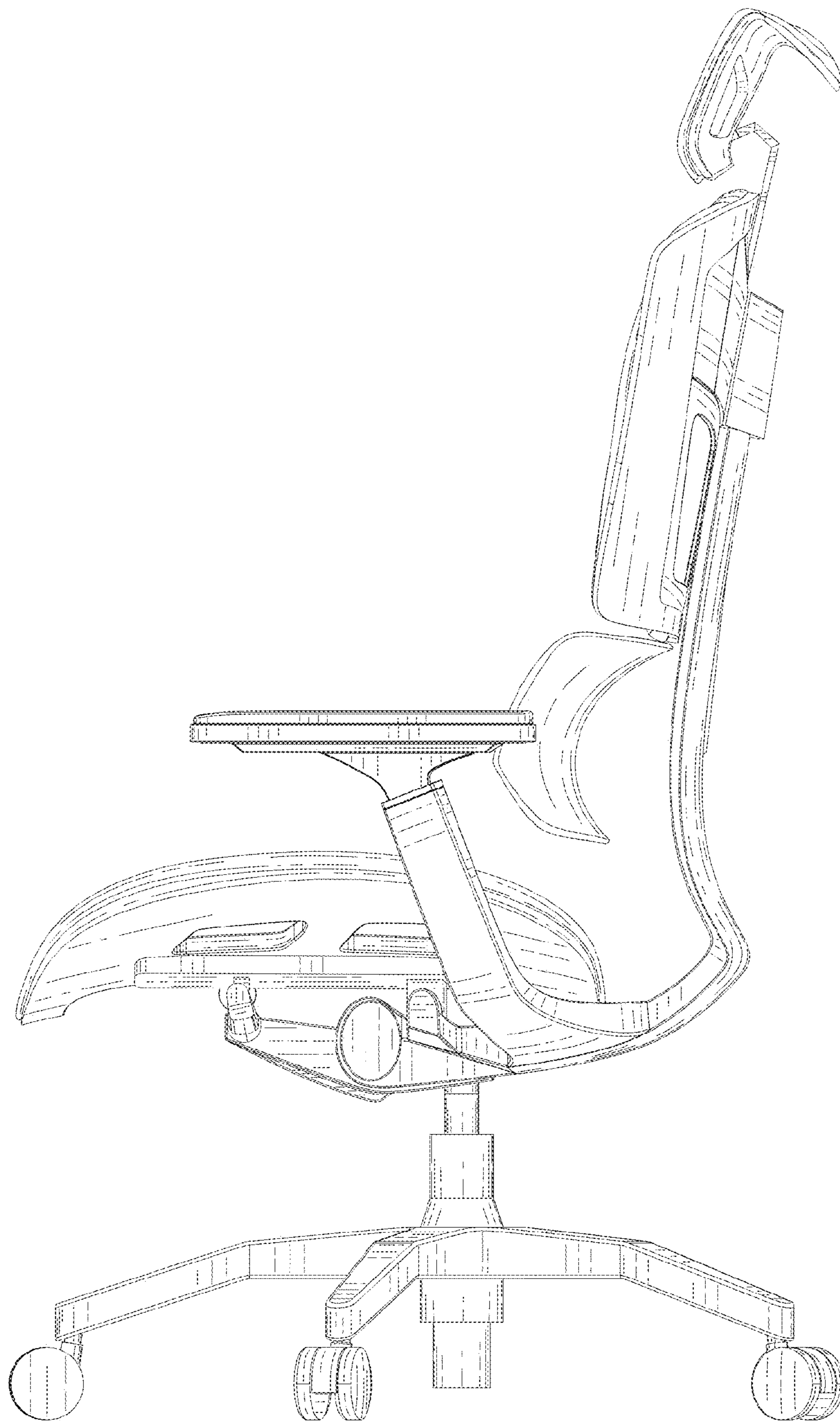


FIG. 6

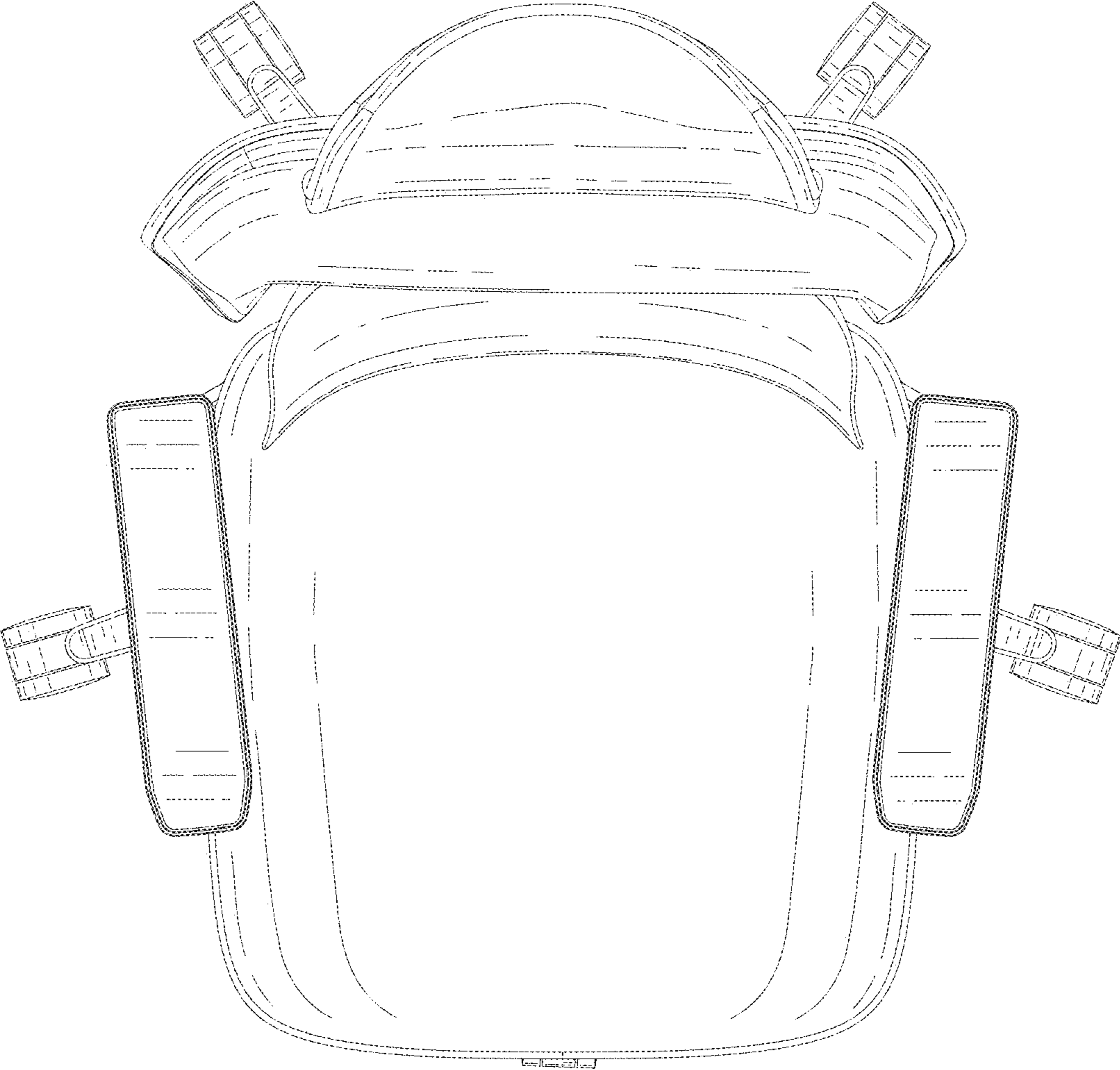


FIG. 7

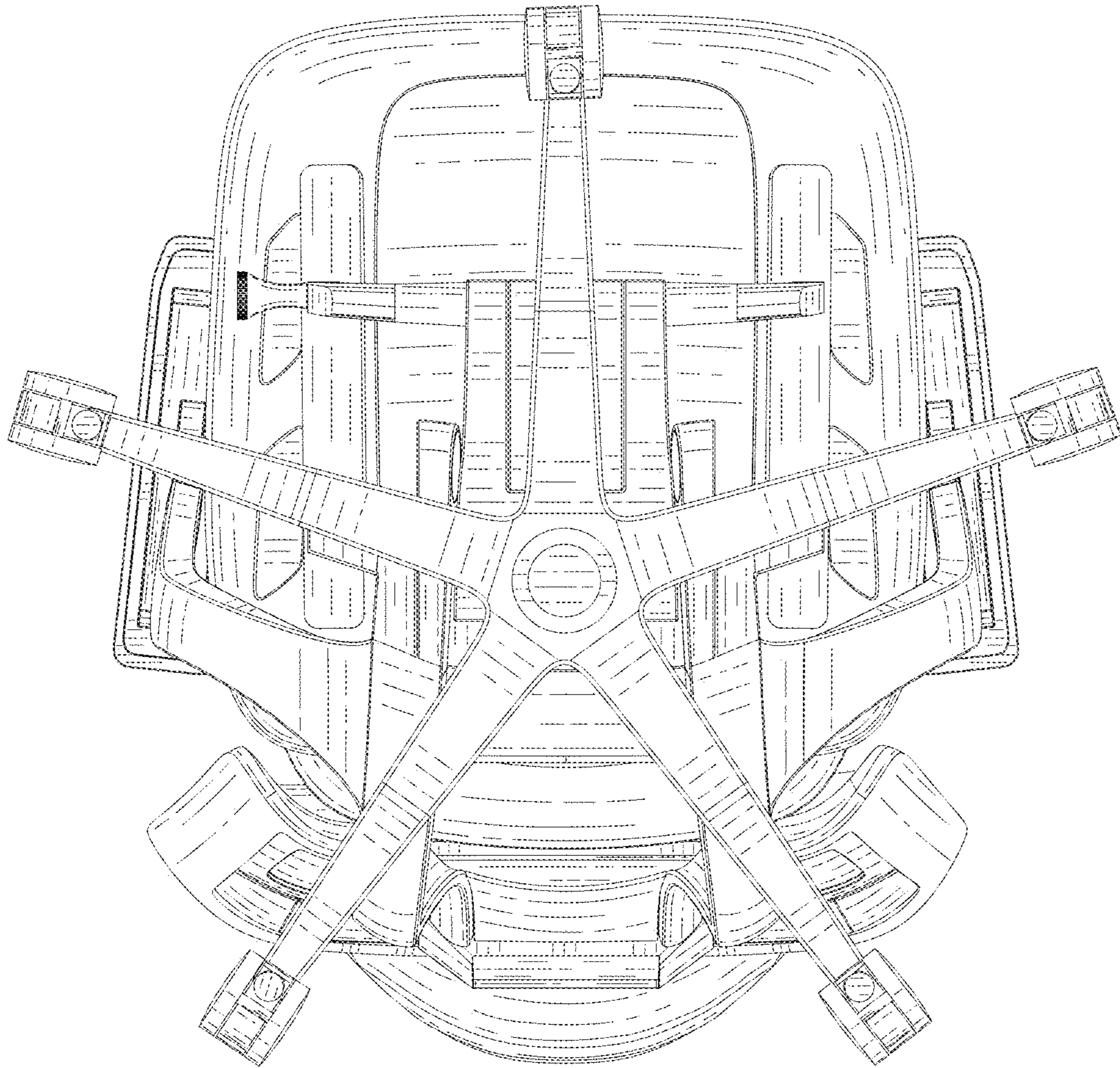


FIG. 8