



US00D976018S

(12) **United States Design Patent**  
**Künzler**

(10) **Patent No.:** **US D976,018 S**  
(45) **Date of Patent:** **\*\* Jan. 24, 2023**

(54) **CHAIR**

(71) Applicant: **Limbic Life AG**, Zürich (CH)

(72) Inventor: **Patrik Künzler**, Zürich (CH)

(73) Assignee: **Limbic Life AG**, Zurich (CH)

(\*\*) Term: **15 Years**

(21) Appl. No.: **29/730,750**

(22) Filed: **Apr. 8, 2020**

(30) **Foreign Application Priority Data**

Oct. 18, 2019 (WO) ..... WIPO88568

(51) **LOC (14) Cl.** ..... **06-01**

(52) **U.S. Cl.**  
USPC ..... **D6/366**

(58) **Field of Classification Search**

USPC ..... D6/334, 346, 349, 355, 360, 361, 362,  
D6/363, 364, 365, 366, 367, 368, 371,  
D6/372, 374, 375, 379, 380, 716.4

CPC .... A47C 3/00; A47C 3/12; A47C 3/20; A47C  
3/32; A47C 1/00; A47C 1/022; A47C  
1/024; A47C 1/04; A47C 1/06; A47C  
7/24; A47C 7/36; A47C 7/46; A47C 7/18;  
A47C 7/40; A47C 17/02

See application file for complete search history.

(56) **References Cited**

**U.S. PATENT DOCUMENTS**

D318,112 S \* 7/1991 Tempereau Jacques ..... D6/333  
5,538,011 A \* 7/1996 Craft ..... A61G 5/0833  
128/845

D578,787 S \* 10/2008 Genelli ..... D6/367  
9,925,101 B2 \* 3/2018 Kuenzler ..... A61G 7/16  
D882,978 S \* 5/2020 Fribush ..... D6/366  
D888,455 S \* 6/2020 Xu ..... D6/375  
D904,064 S \* 12/2020 Hall ..... D6/377

**OTHER PUBLICATIONS**

Dude. <https://www.dudeiwanthat.com/gear/office/limbic-intelligent-chair.asp>. "LimbIC Intelligent Chair". Aug. 28, 2012 (Year: 2012).\*

\* cited by examiner

*Primary Examiner* — R. Johnson

(74) *Attorney, Agent, or Firm* — Dentons US LLP

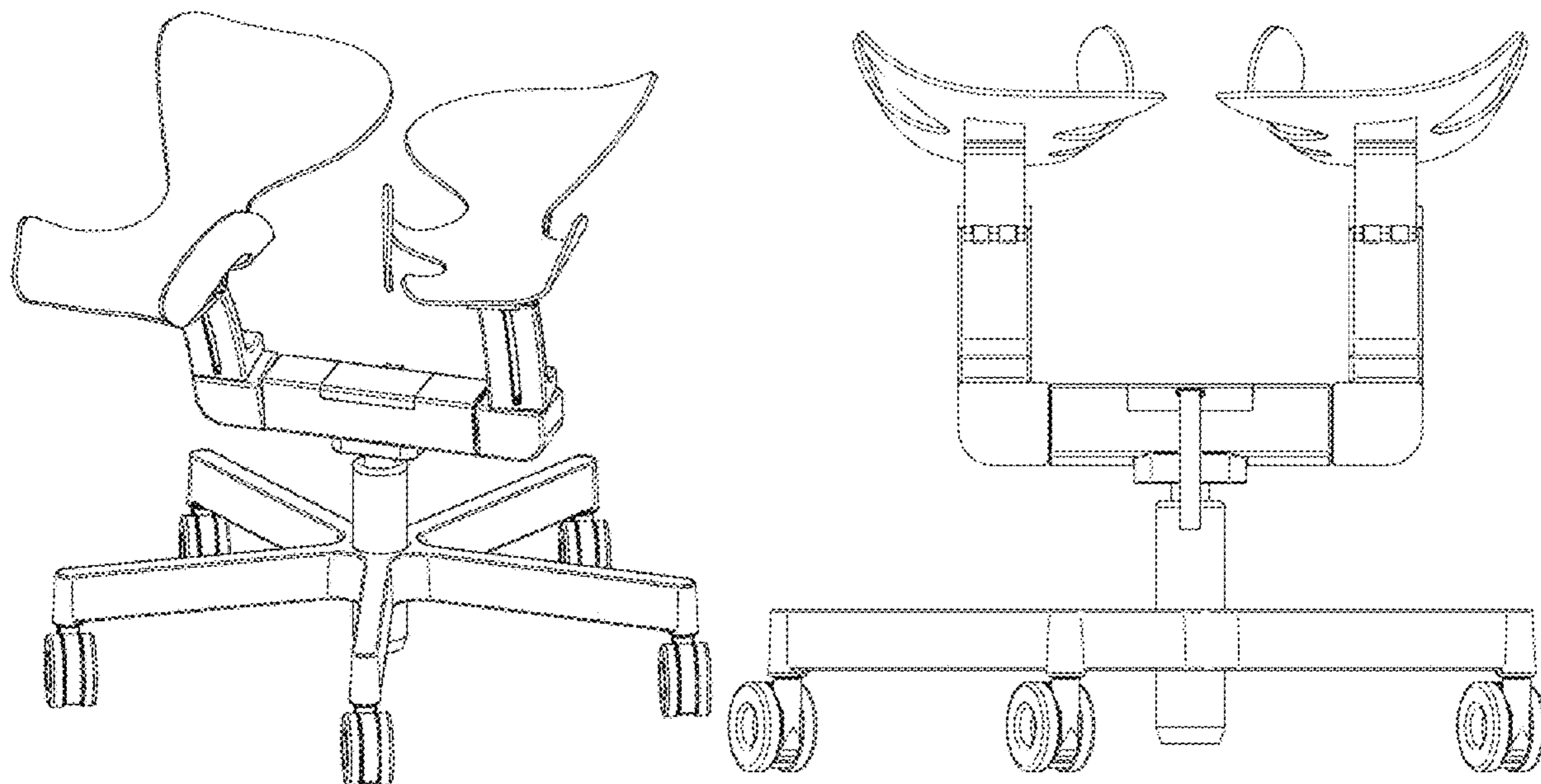
(57) **CLAIM**

The ornamental design for a chair, as shown and described.

**DESCRIPTION**

FIG. 1 is a first front perspective view of a chair;  
FIG. 2 is a second front perspective view of the chair;  
FIG. 3 is a back view of the chair;  
FIG. 4 is a front view of the chair;  
FIG. 5 is a bottom view of the chair;  
FIG. 6 is a top view of the chair;  
FIG. 7 is a left side view of the chair; and,  
FIG. 8 is a right side view of the chair.

**1 Claim, 8 Drawing Sheets**



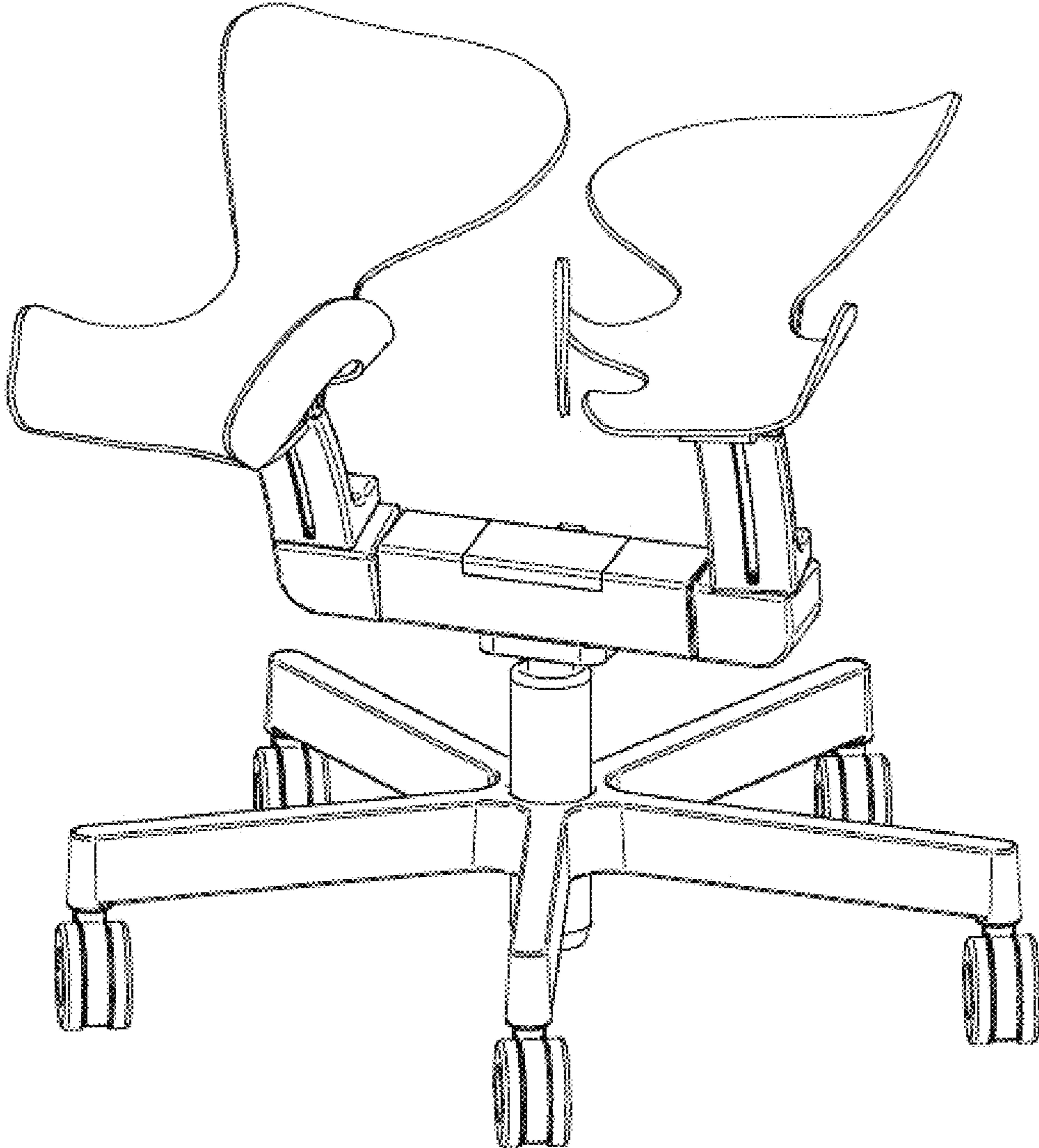


FIG. 1

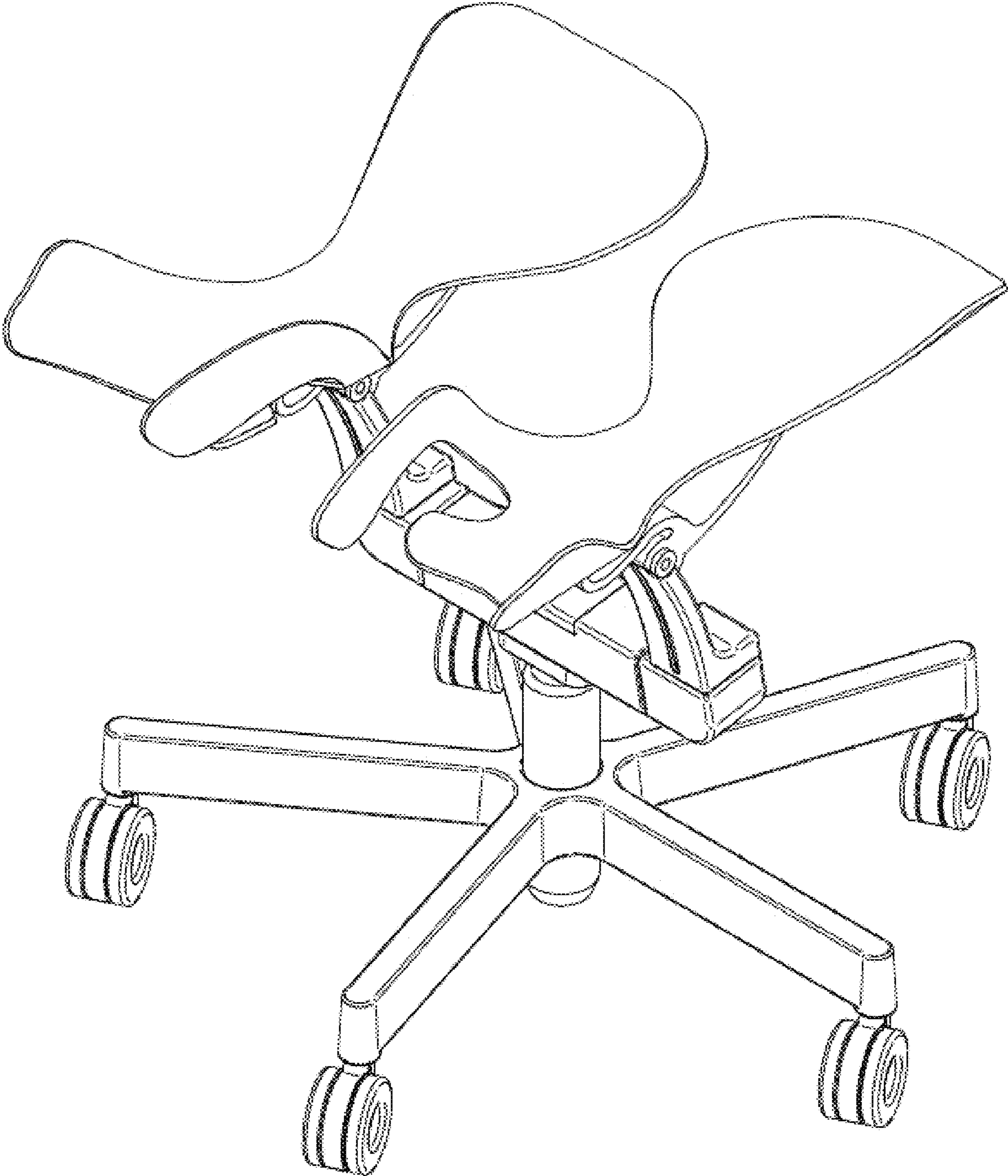


FIG. 2

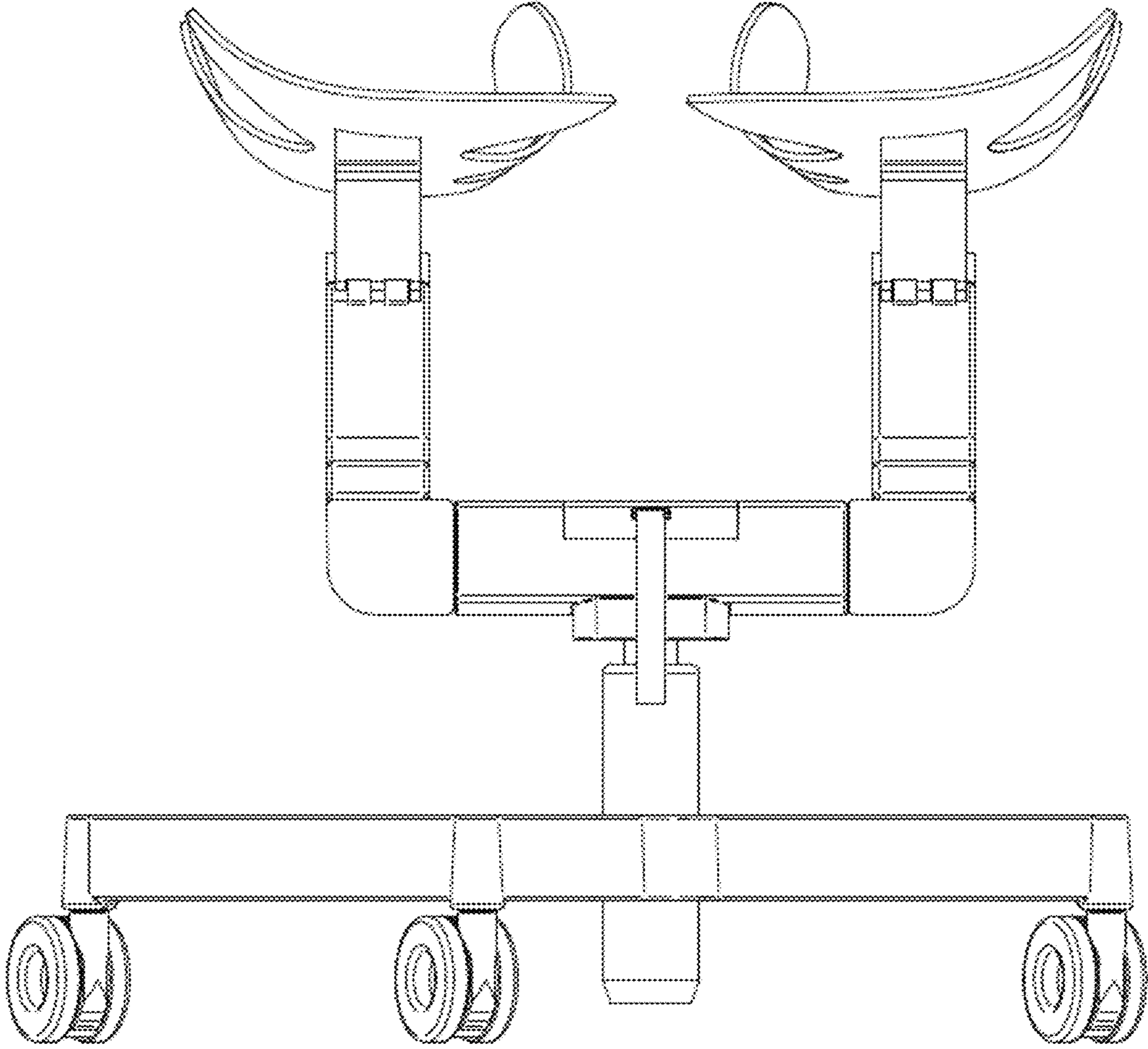


FIG. 3

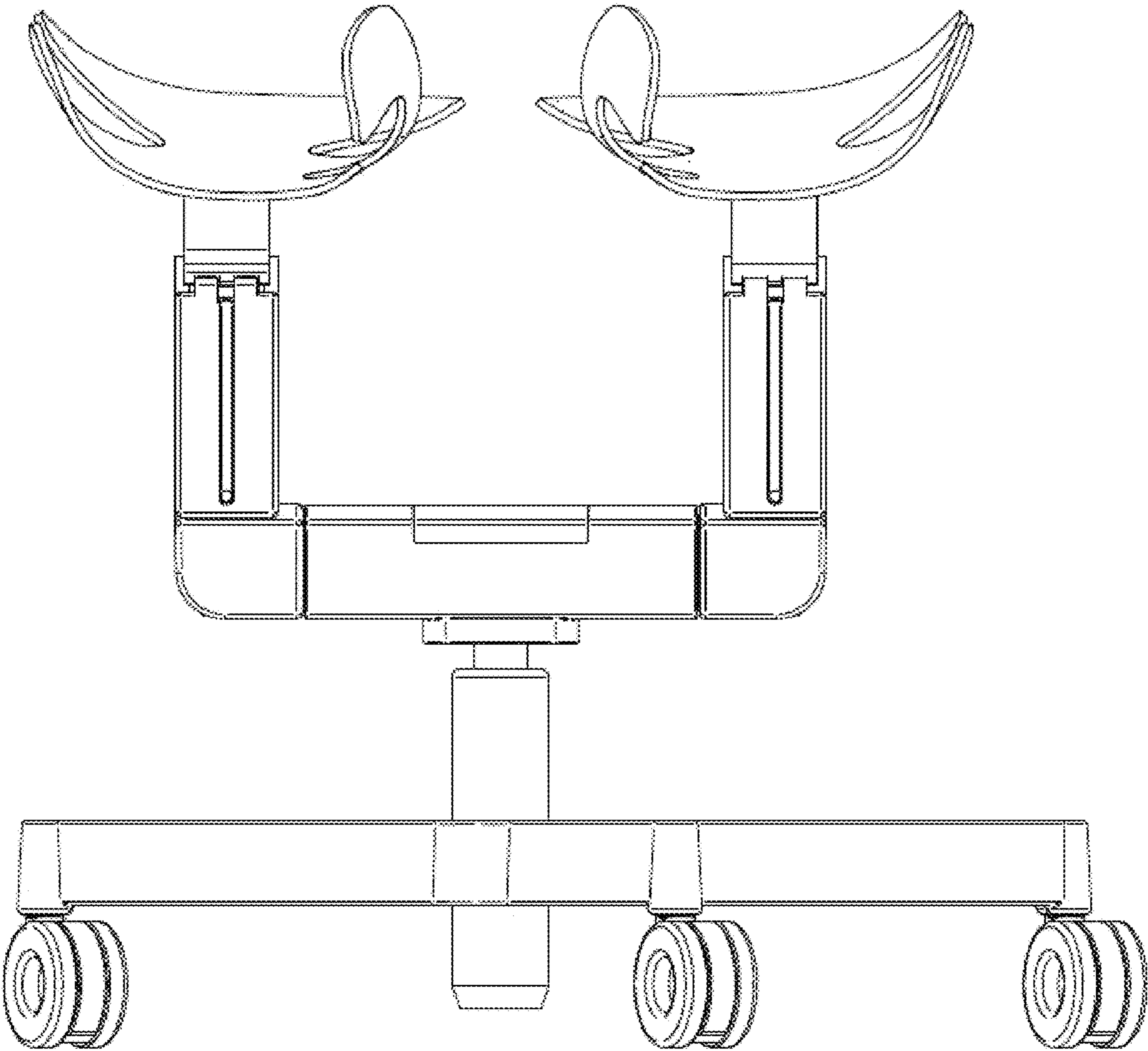


FIG. 4

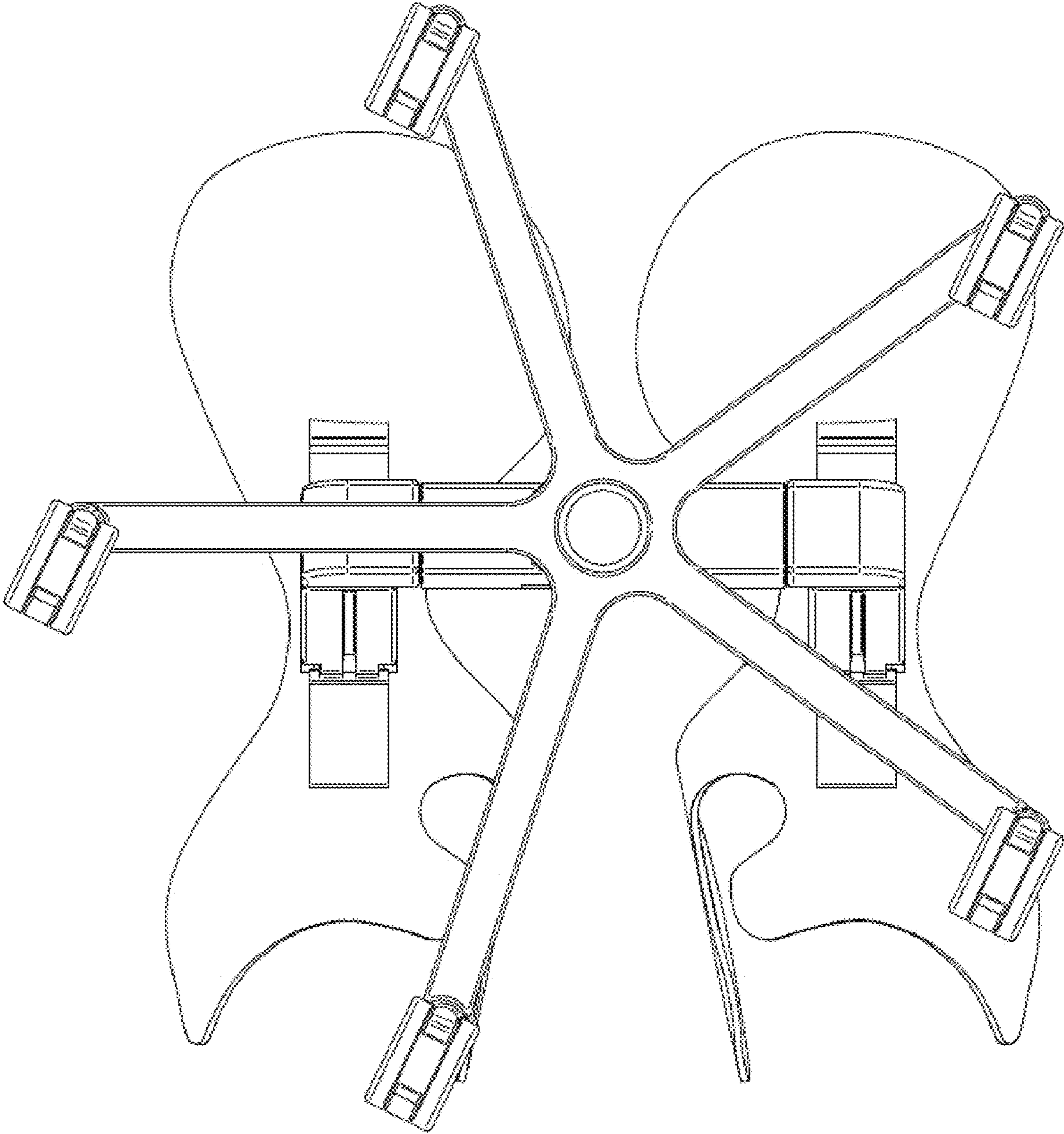


FIG. 5

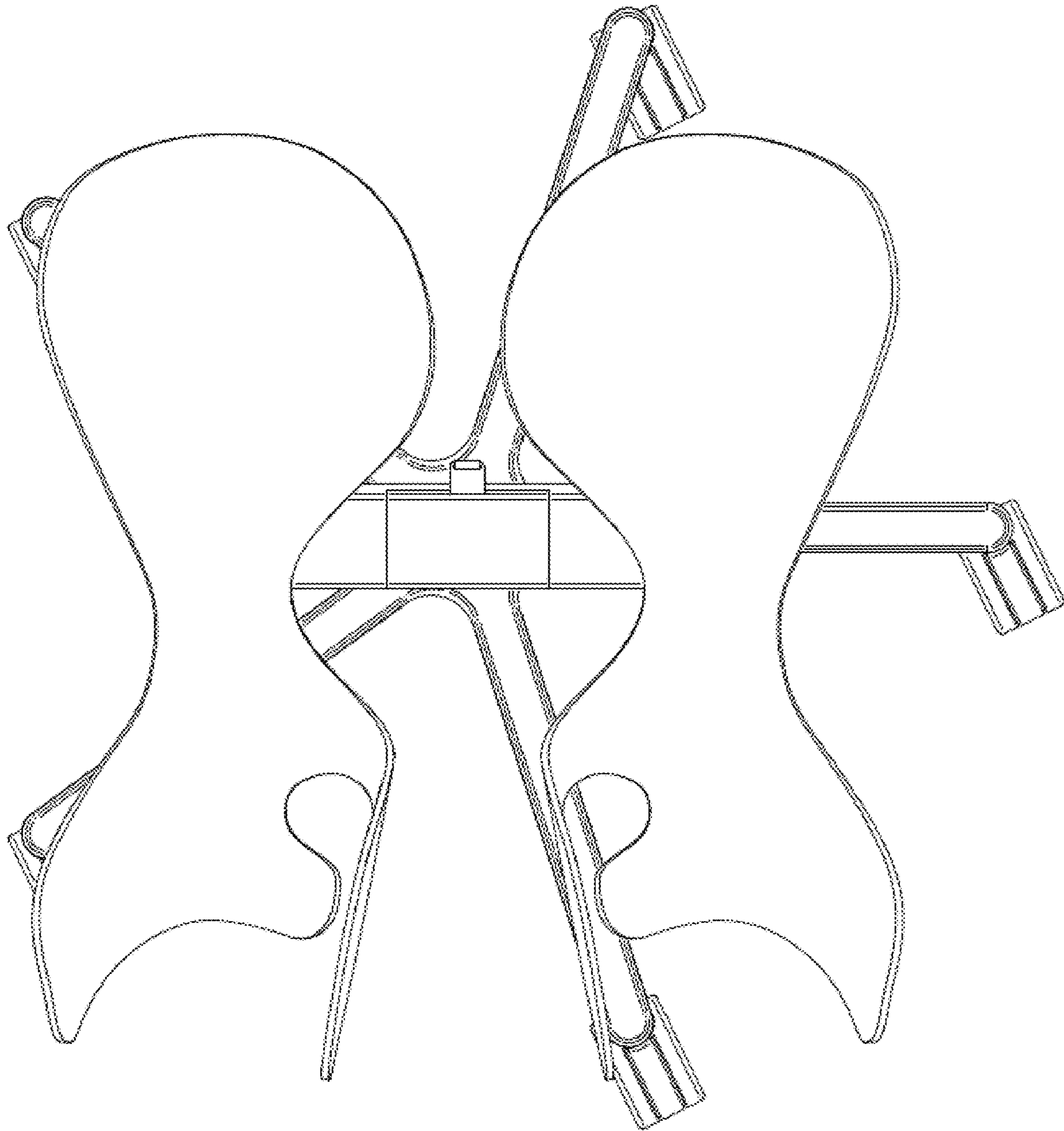


FIG. 6

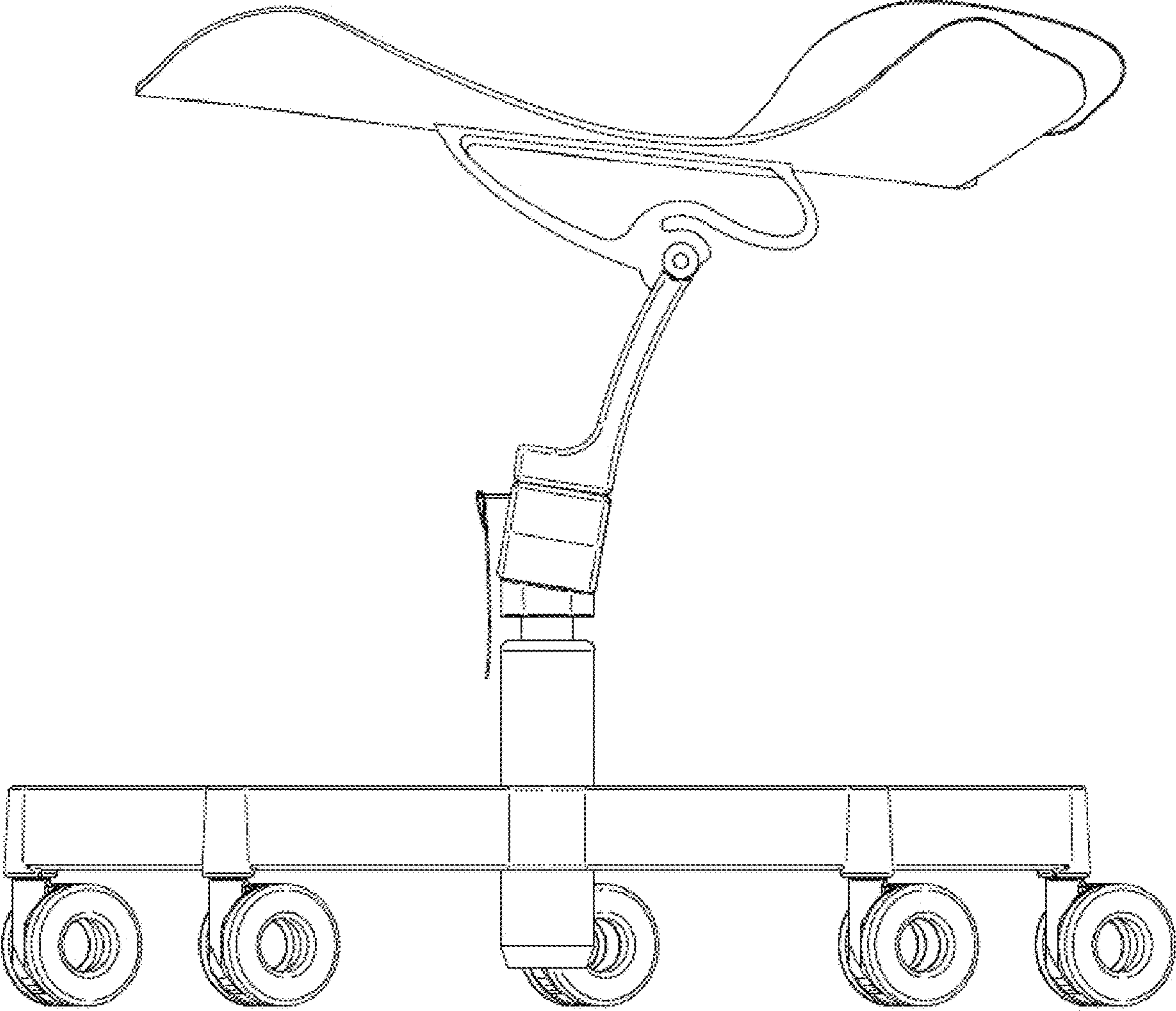


FIG. 7



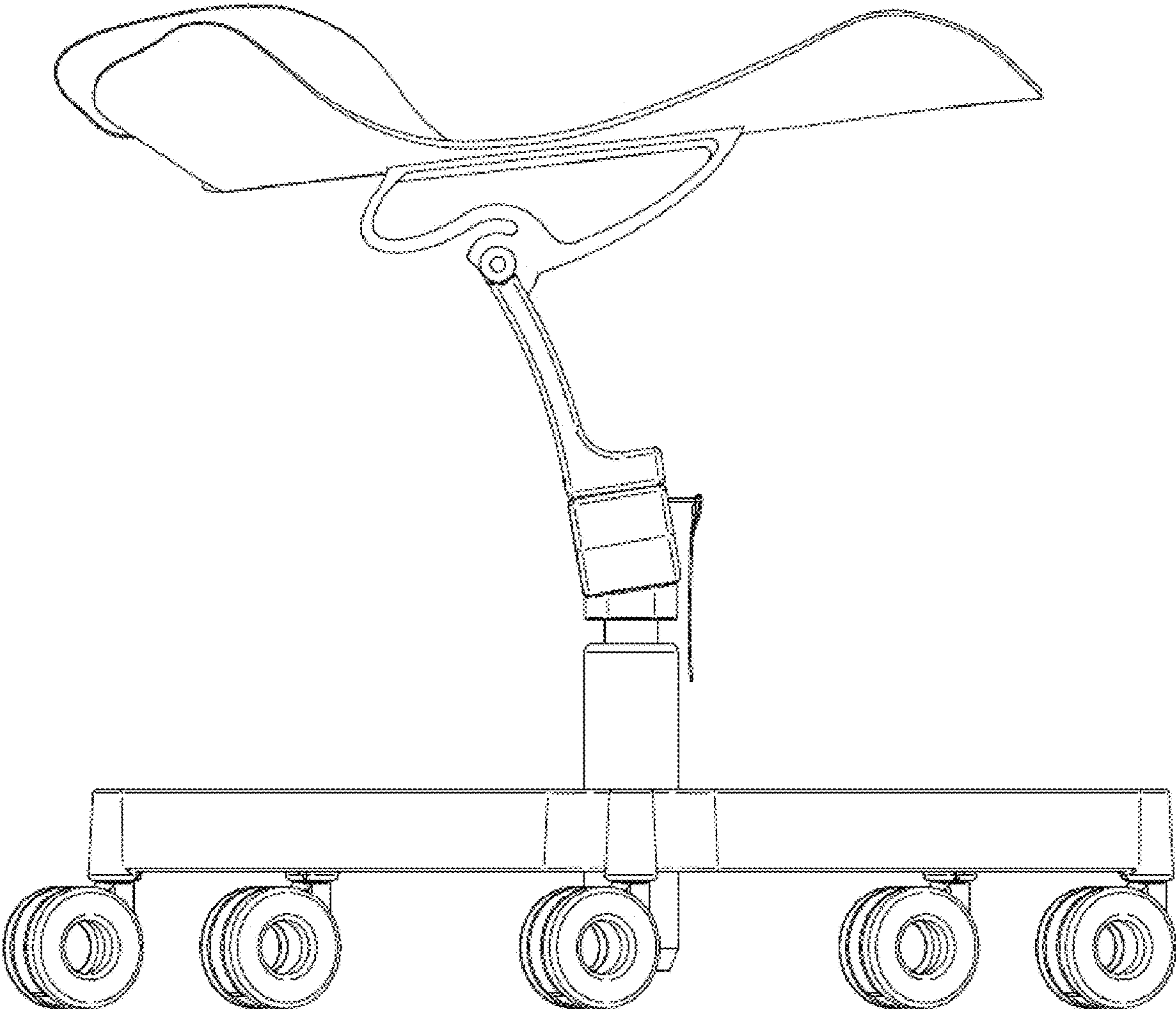


FIG. 8