



US00D976017S

(12) **United States Design Patent** (10) **Patent No.:** **US D976,017 S**
Ike (45) **Date of Patent:** **** Jan. 24, 2023**

(54) **CHAIR**

B60R 22/986; B60R 22/914; B60R 22/995; F16B 2/08; F16B 45/00; Y10S 297/01; A47D 13/10

(71) Applicant: **OMRON CORPORATION**, Kyoto (JP)

See application file for complete search history.

(72) Inventor: **Akihiro Ike**, Beppu (JP)

(56) **References Cited**

(73) Assignee: **OMRON CORPORATION**, Kyoto (JP)

U.S. PATENT DOCUMENTS

(**) Term: **15 Years**

(21) Appl. No.: **29/693,181**

D398,464 S *	9/1998	Cronk	D6/366
D400,031 S *	10/1998	Congleton	D6/716.2
D407,246 S *	3/1999	Stumpf	D6/716.2
D411,929 S *	7/1999	Stumpf	D6/366
D416,407 S *	11/1999	Baumann	D6/366
D461,660 S *	8/2002	Koepke	D6/716
2010/0123346 A1 *	5/2010	Lin	A47C 1/03 297/411.37

(22) Filed: **May 31, 2019**

(30) **Foreign Application Priority Data**

FOREIGN PATENT DOCUMENTS

Feb. 1, 2019 (JP) 2019-002085

JP 2000-135134 A 5/2000

(51) **LOC (14) Cl.** **06-01**

* cited by examiner

(52) **U.S. Cl.**

USPC **D6/366**

(58) **Field of Classification Search**

Primary Examiner — Kevin K Rudzinski

Assistant Examiner — Paul D Bohannon

USPC D6/356, 364, 365, 366, 367, 379, 716, D6/716.4, 716.7, 360, 380, 716.1, 716.2, D6/716.3; D21/521, 695

(74) *Attorney, Agent, or Firm* — Harness, Dickey & Pierce, P.L.C.

CPC A47C 1/03294; A47C 1/034; A47C 1/032; A47C 1/031; A47C 1/023; A47C 3/029; A47C 3/027; A47C 3/04; A47C 3/02; A47C 3/12; A47C 4/03; A47C 4/04; A47C 5/12; A47C 7/029; A47C 7/02; A47C 7/18; A47C 7/28; A47C 7/32; A47C 7/38; A47C 7/40; A47C 7/44; A47C 7/46; A47C 7/54; A47C 7/425; A47C 7/445; A47C 31/023; A47C 31/04; B60R 2/0284; B60R 2/062; B60R 22/001; B60R 22/24; B60R 22/28; B60R 22/58; B60R 22/64; B60R 22/68; B60R 22/80; B60R 22/99; B60R 22/245; B60R 22/643; B60R 22/646; B60R 22/665; B60R 22/686; B60R 22/688; B60R 22/803;

(57) **CLAIM**

The ornamental design for a chair, as shown and described.

DESCRIPTION

FIG. 1 is a front view of a chair showing my design;

FIG. 2 is a rear view thereof;

FIG. 3 is a left side view thereof;

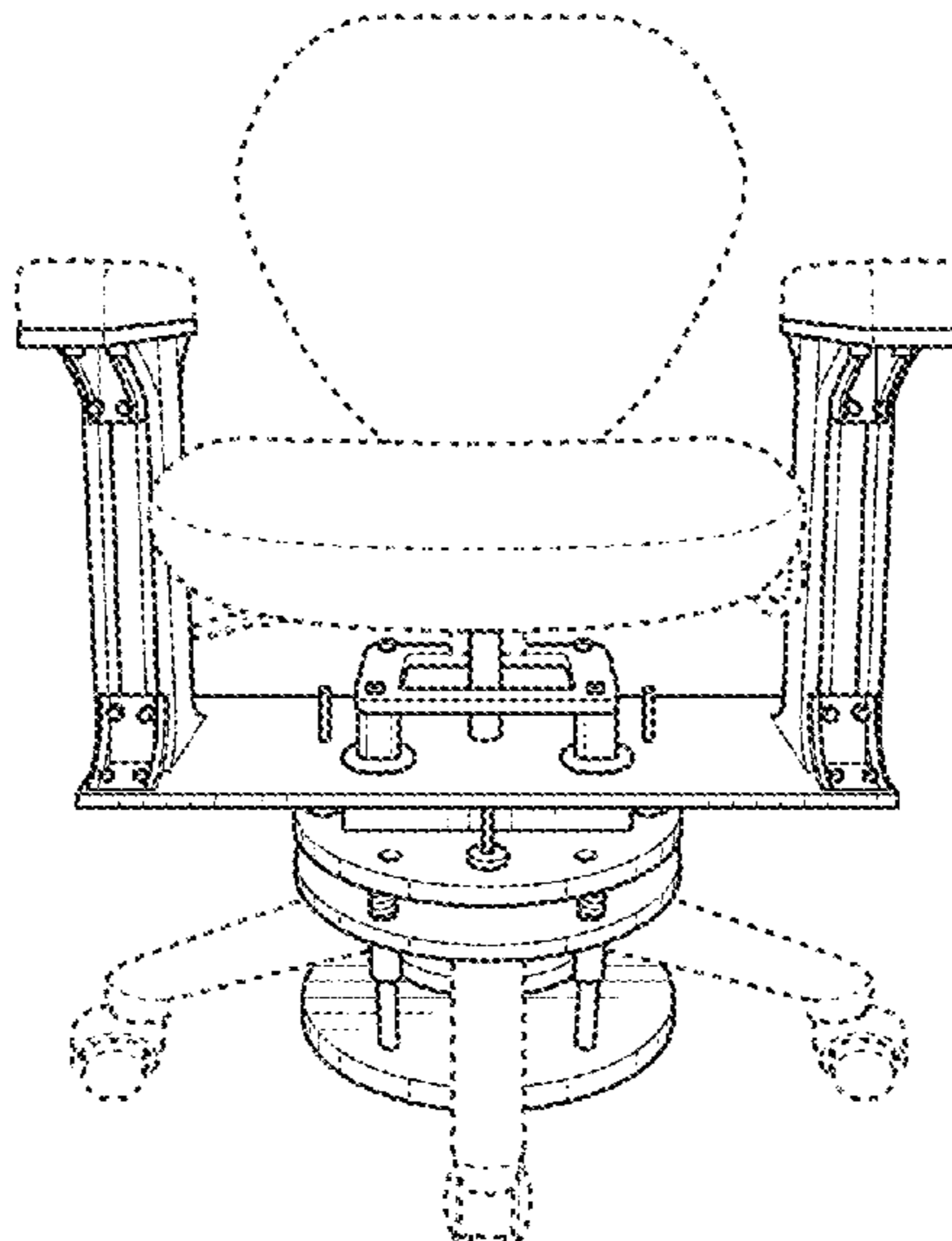
FIG. 4 is a right side view thereof;

FIG. 5 is a top view thereof; and,

FIG. 6 is a bottom view thereof.

The broken lines in the figures show portions of the chair that form no part of the claimed design.

1 Claim, 3 Drawing Sheets



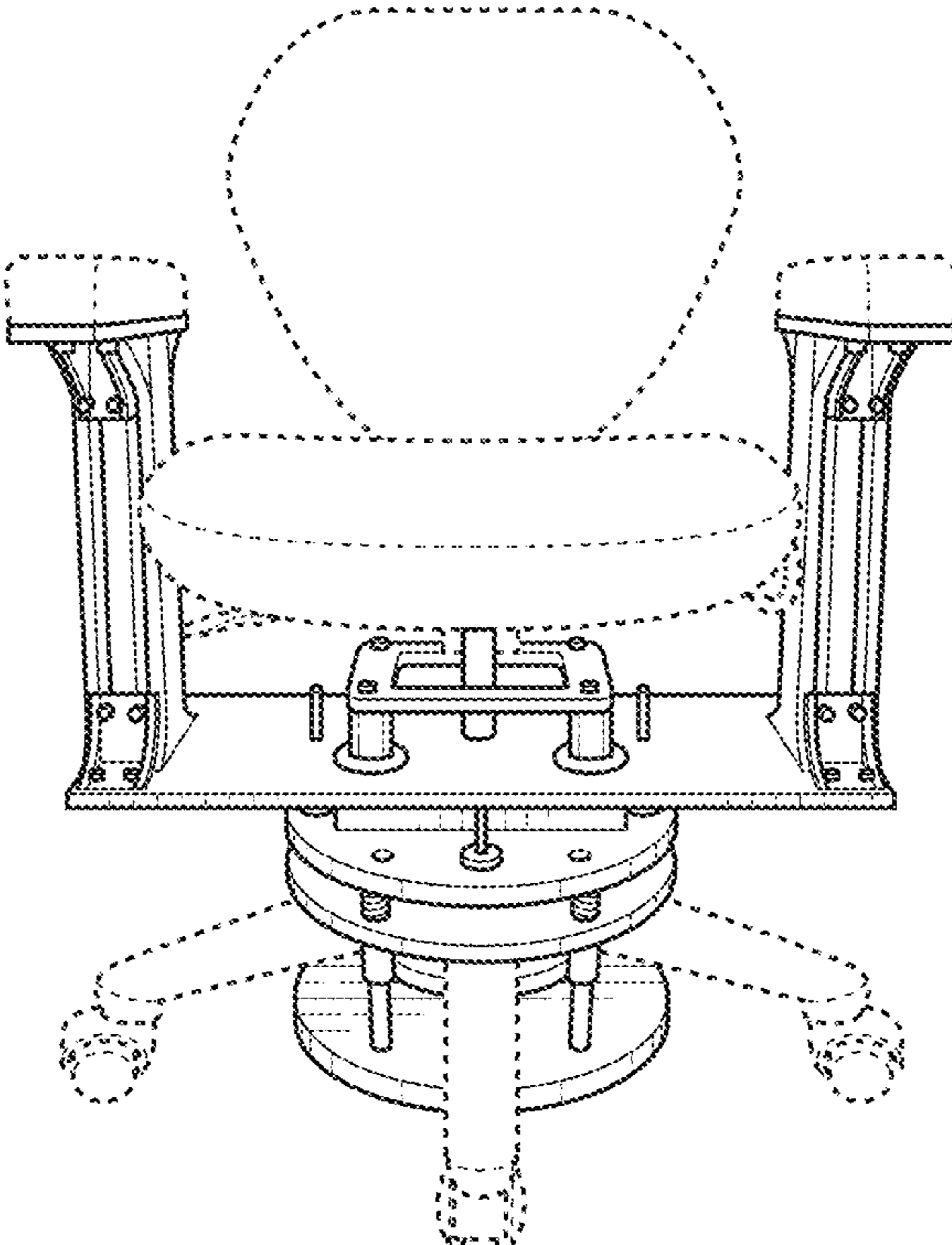


FIG. 1

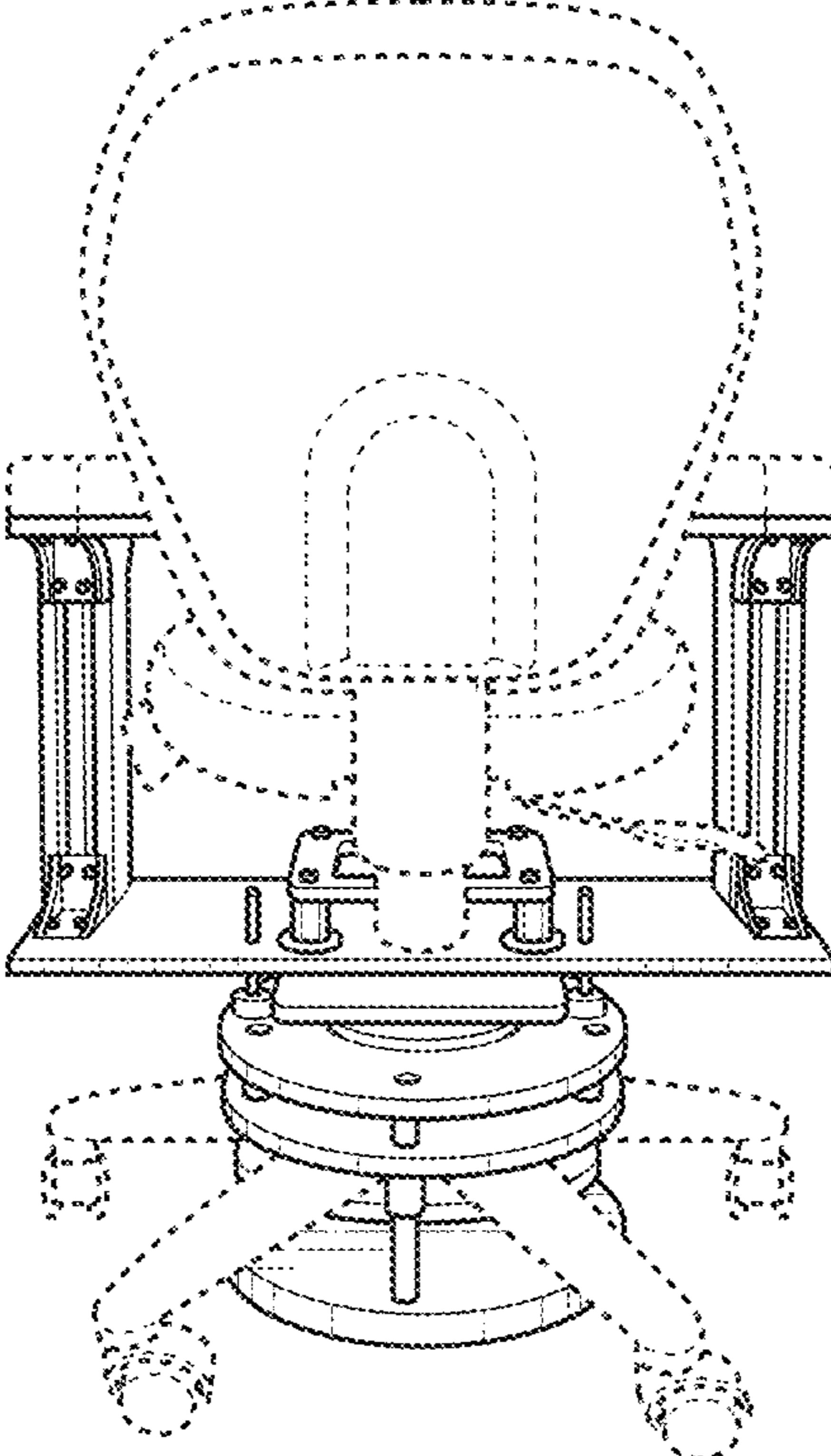


FIG. 2

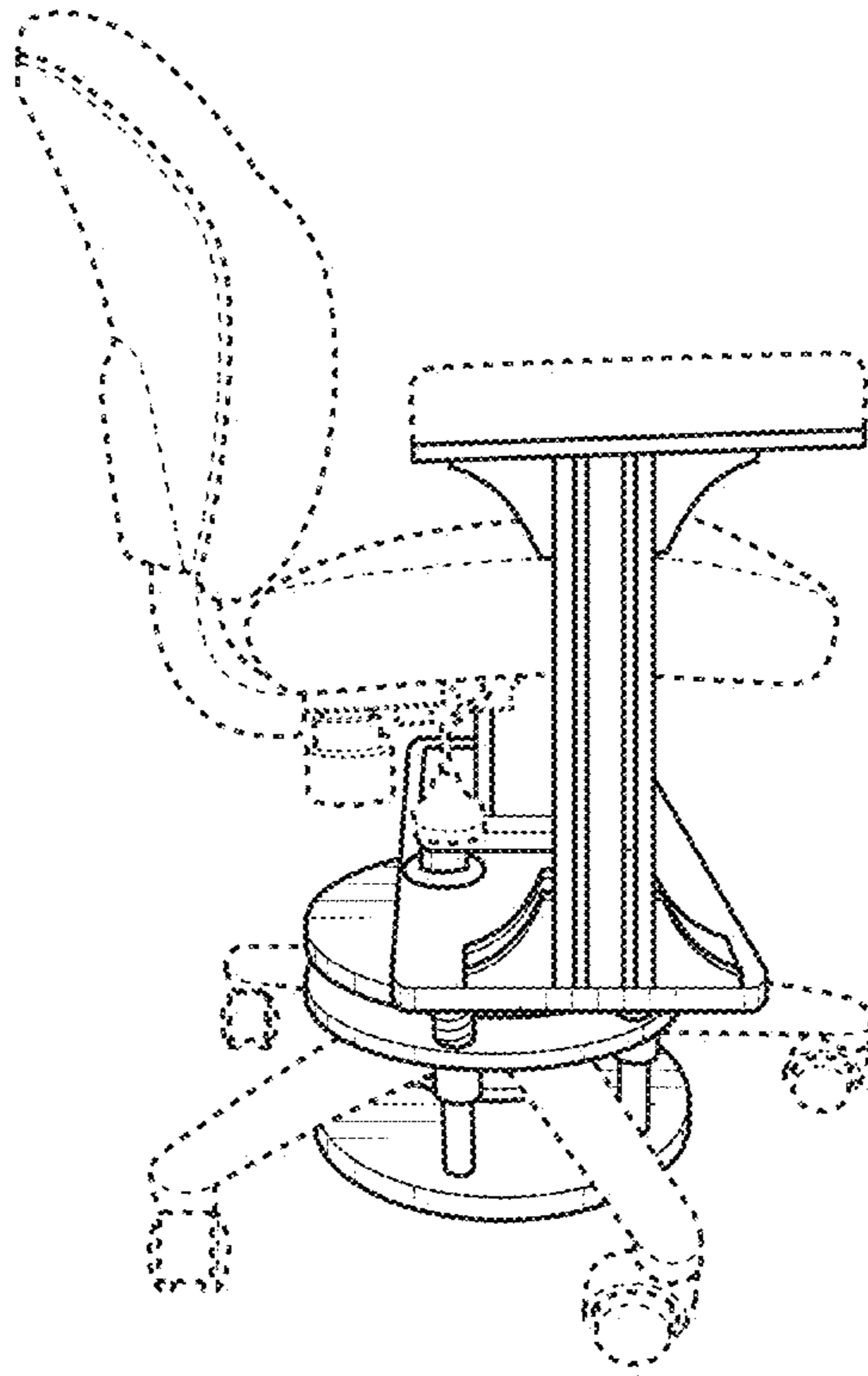


FIG. 3

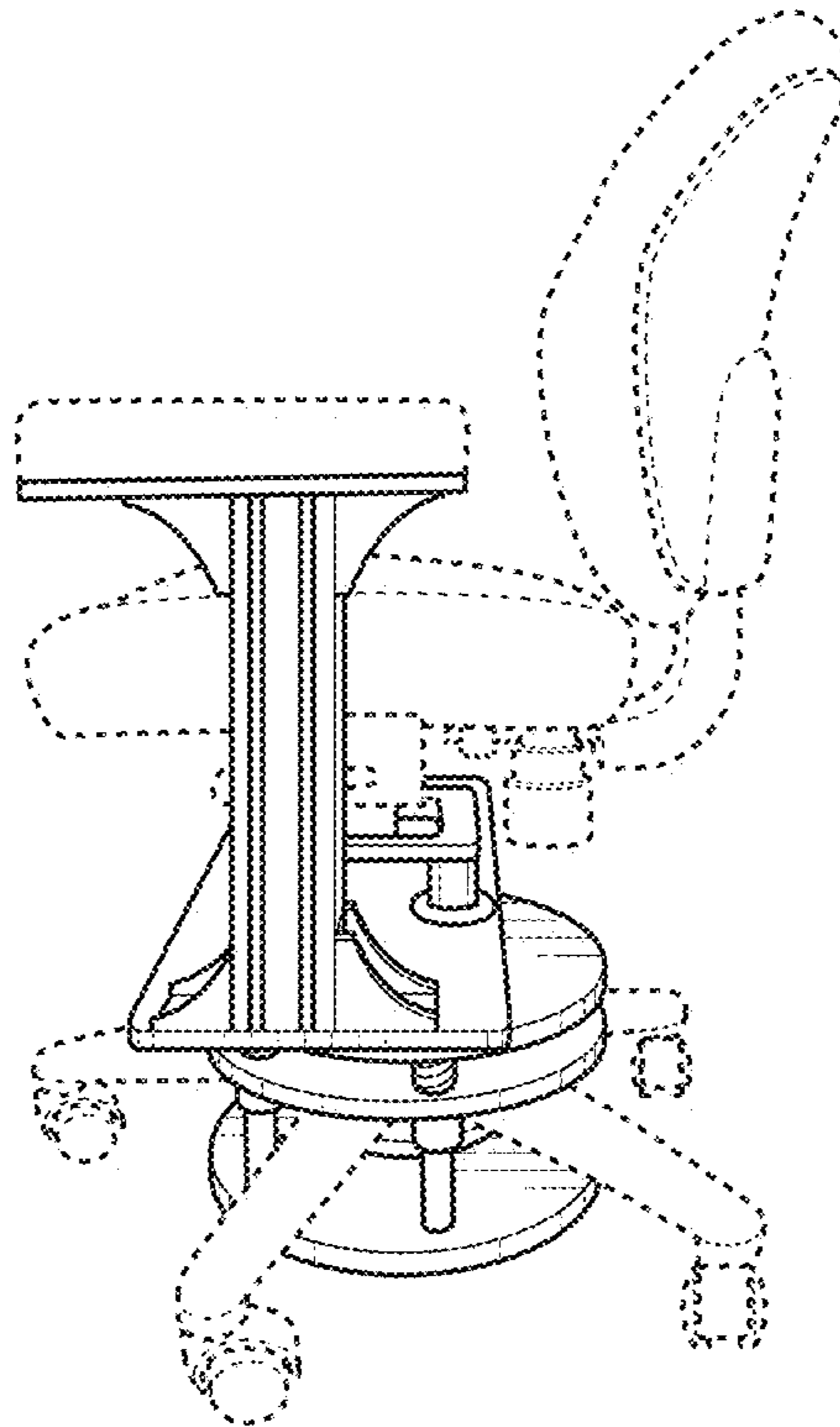


FIG. 4

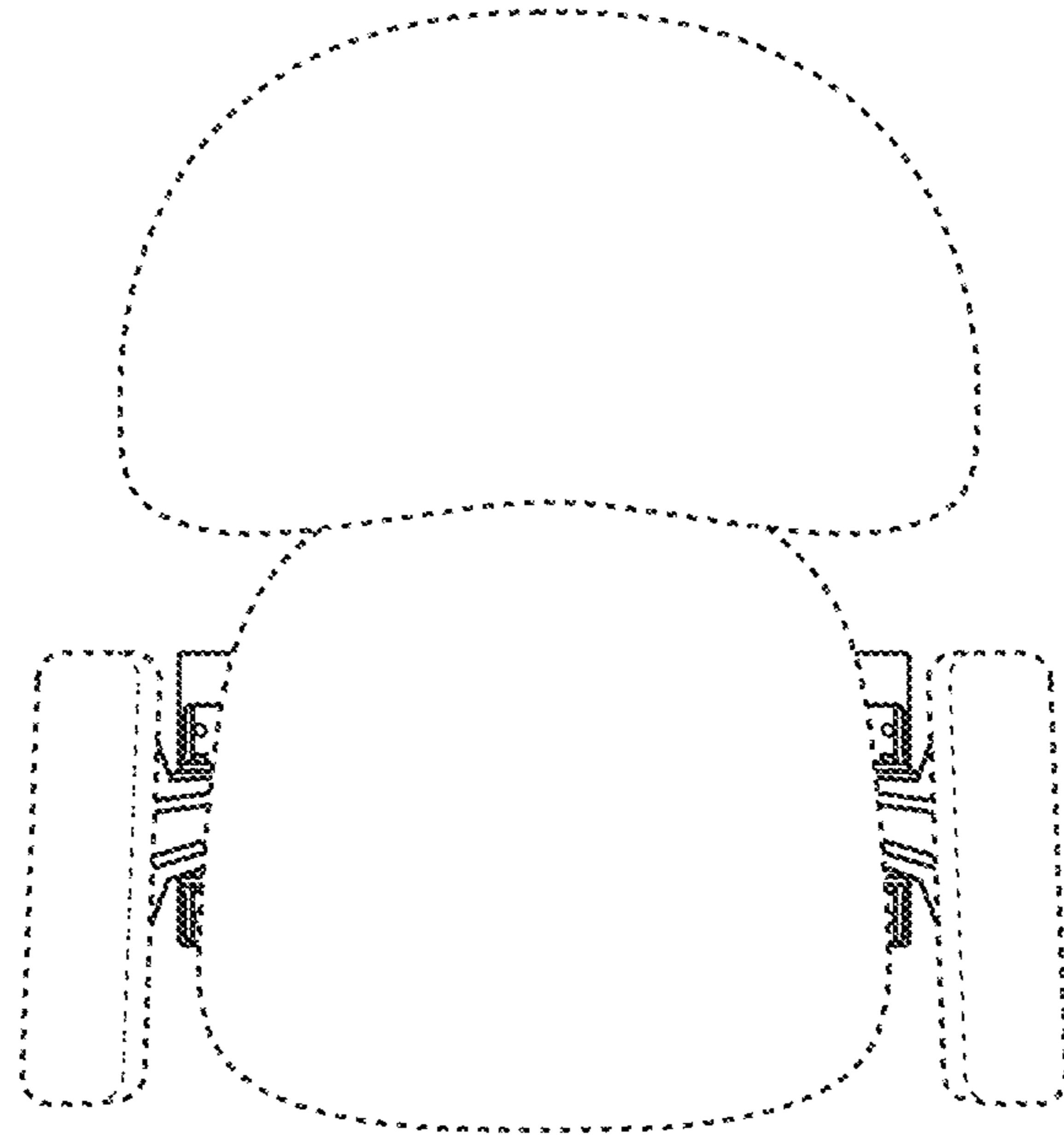


FIG. 5

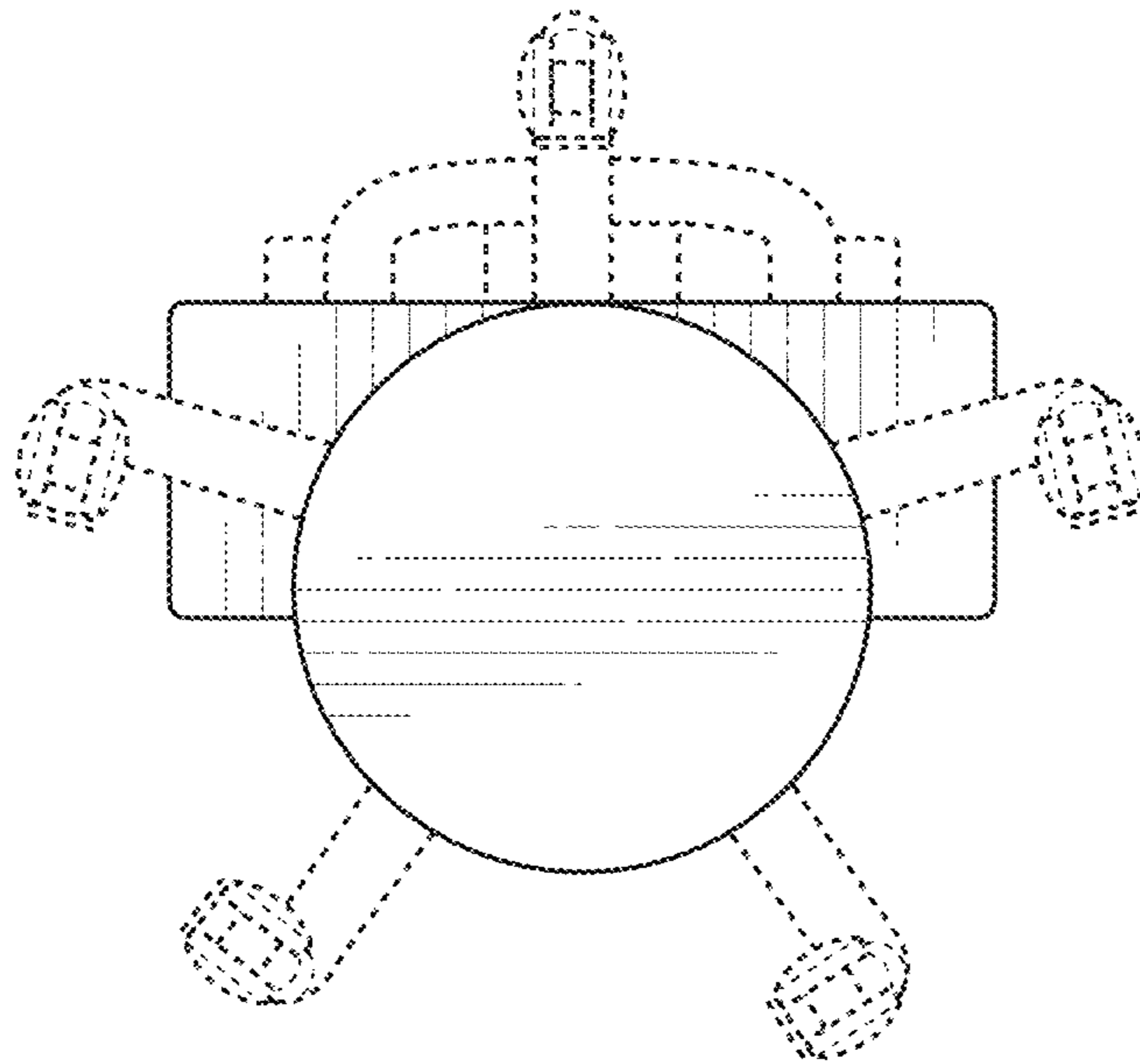


FIG. 6